



YASKAWA

YASKAWA AC Drive A1000

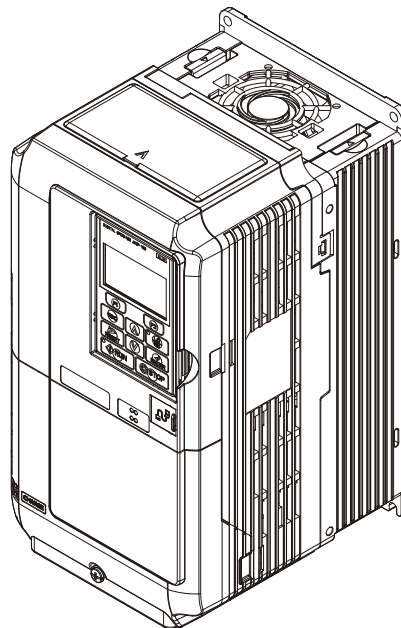
High Performance Vector Control Drive

Technical Manual

Type: CIMR-AC

Models: 200 V Class: 0.4 to 110 kW
400 V Class: 0.4 to 355 kW

To properly use the product, read this manual thoroughly and retain for easy reference, inspection, and maintenance. Ensure the end user receives this manual.



Receiving **1**

Mechanical Installation **2**

Electrical Installation **3**

Start-Up Programming & Operation **4**

Parameter Details **5**

Troubleshooting **6**

Periodic Inspection & Maintenance **7**

Peripheral Devices & Options **8**

Specifications **A**

Parameter List **B**

MEMOBUS/Modbus Communications **C**

Standards Compliance **D**

Quick Reference Sheet **E**

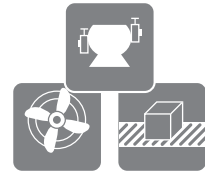
Copyright © 2008 YASKAWA ELECTRIC CORPORATION.

All rights reserved. No part of this publication may be reproduced, stored in a retrieval system, or transmitted, in any form, or by any means, mechanical, electronic, photocopying, recording, or otherwise, without the prior written permission of Yaskawa. No patent liability is assumed with respect to the use of the information contained herein. Moreover, because Yaskawa is constantly striving to improve its high-quality products, the information contained in this manual is subject to change without notice. Every precaution has been taken in the preparation of this manual. Nevertheless, Yaskawa assumes no responsibility for errors or omissions. Neither is any liability assumed for damages resulting from the use of the information contained in this publication.

◆ Quick Reference

Easily Set Parameters for Specific Applications

Preset parameter defaults are available for setting up applications. [Refer to Application Selection on page 103.](#)

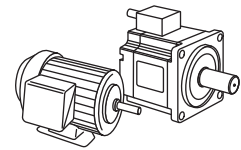


Run a Motor One-Frame Larger

This drive can operate a motor one frame size larger when running variable torque loads such as fans and pumps. [Refer to C6-01: Drive Duty Mode Selection on page 177.](#)

Drive a Synchronous PM Motor

A1000 can operate synchronous PM motors. [Refer to Subchart A-3: Operation with Permanent Magnet Motors on page 101.](#)



Perform Auto-Tuning

Automatic tuning sets motor parameters. [Refer to Auto-Tuning on page 109.](#)

Maintenance Check Using Drive Monitors

Use drive monitors to check the if fans, capacitors, and other components may require maintenance. [Refer to Performance Life Monitors Maintenance Monitors on page 349.](#)

Fault Display and Troubleshooting

[Refer to Drive Alarms, Faults, and Errors on page 300](#) and [Refer to Troubleshooting without Fault Display on page 336.](#)

Standards Compliance

[Refer to on page 509](#) and [Refer to UL Standards on page 515.](#)







Table of Contents

| | |
|---|-----------|
| Quick Reference | 3 |
| I. PREFACE & GENERAL SAFETY | 15 |
| i.1 Preface | 16 |
| Applicable Documentation | 16 |
| Symbols | 16 |
| Terms and Abbreviations | 16 |
| i.2 General Safety | 17 |
| Supplemental Safety Information | 17 |
| Safety Messages | 18 |
| Application Notes | 19 |
| Notes on Motor Operation | 21 |
| Applications with Specialized Motors | 22 |
| Drive Label Warnings | 24 |
| Warranty Information | 24 |
| 1. RECEIVING | 25 |
| 1.1 Section Safety | 26 |
| 1.2 General Description | 27 |
| A1000 Model Selection | 27 |
| Control Mode Selection | 28 |
| 1.3 Model Number and Nameplate Check | 29 |
| Nameplate | 29 |
| 1.4 Drive Models and Enclosure Types | 31 |
| 1.5 Component Names | 32 |
| IP20/NEMA Type 1 Enclosure | 32 |
| IP00 Enclosure | 32 |
| Front Views | 35 |
| 2. MECHANICAL INSTALLATION | 37 |
| 2.1 Section Safety | 38 |
| 2.2 Mechanical Installation | 40 |
| Installation Environment | 40 |
| Installation Orientation and Spacing | 40 |
| Digital Operator Remote Usage | 42 |
| Exterior and Mounting Dimensions | 46 |

| | | |
|-----------|--|-----------|
| 3. | ELECTRICAL INSTALLATION | 51 |
| | 3.1 Section Safety | 52 |
| | 3.2 Standard Connection Diagram | 54 |
| | 3.3 Main Circuit Connection Diagram | 56 |
| | Three-Phase 200 V Class (CIMR-A□2A0004 to 0081) | |
| | Three-Phase 400 V Class (CIMR-A□4A0002 to 0044) | 56 |
| | Three-Phase 200 V Class (CIMR-A□2A0110, 0138) | |
| | Three-Phase 400 V Class (CIMR-A□4A0058, 0072) | 56 |
| | Three-Phase 200 V Class (CIMR-A□2A0169 to 0415) | |
| | Three-Phase 400 V Class (CIMR-A□4A0088 to 0675) | 56 |
| | 3.4 Terminal Block Configuration | 57 |
| | 3.5 Terminal Cover | 59 |
| | CIMR-A□2A0004 to 0081, 4A0002 to 0044 (IP20/NEMA Type 1 Enclosure) | 59 |
| | CIMR-A□2A0110 to 0415, 4A0058 to 0675 (IP00 Enclosure) | 60 |
| | 3.6 Digital Operator and Front Cover | 61 |
| | Removing/Reattaching the Digital Operator | 61 |
| | Removing/Reattaching the Front Cover | 61 |
| | 3.7 Top Protective Cover | 64 |
| | Removing the Top Protective Cover | 64 |
| | Reattaching the Top Protective Cover | 64 |
| | 3.8 Main Circuit Wiring | 65 |
| | Main Circuit Terminal Functions | 65 |
| | Protecting Main Circuit Terminals | 65 |
| | Wire Gauges and Tightening Torque | 66 |
| | Main Circuit Terminal and Motor Wiring | 70 |
| | 3.9 Control Circuit Wiring | 72 |
| | Control Circuit Connection Diagram | 72 |
| | Control Circuit Terminal Block Functions | 72 |
| | Terminal Configuration | 73 |
| | Wiring the Control Circuit Terminal | 74 |
| | Switches and Jumpers on the Terminal Board | 76 |
| | 3.10 Control I/O Connections | 77 |
| | Sinking/Sourcing Mode Switch for Digital Inputs | 77 |
| | Sinking/Sourcing Mode Selection for Safe Disable Inputs | 77 |
| | Using the Pulse Train Output | 78 |
| | Terminal A2 Input Signal Selection | 79 |
| | Terminal A3 Analog/PTC Input Selection | 79 |
| | Terminal AM/FM Signal Selection | 79 |
| | MEMOBUS/Modbus Termination | 80 |
| | 3.11 Connect to a PC | 81 |
| | 3.12 External Interlock | 82 |
| | Drive Ready | 82 |
| | 3.13 Wiring Checklist | 83 |
| 4. | START-UP PROGRAMMING & OPERATION | 85 |
| | 4.1 Section Safety | 86 |
| | 4.2 Using the Digital Operator | 87 |
| | Keys and Displays | 87 |
| | LCD Display | 88 |
| | ALARM (ALM) LED Displays | 89 |
| | LO/RE LED and RUN LED Indications | 89 |
| | Menu Structure for Digital Operator | 90 |

| | |
|--|------------|
| 4.3 The Drive and Programming Modes | 91 |
| Navigating the Drive and Programming Modes | 91 |
| Changing Parameter Settings or Values | 92 |
| Verifying Parameter Changes: Verify Menu | 94 |
| Simplified Setup Using the Setup Group | 95 |
| Switching Between LOCAL and REMOTE | 96 |
| 4.4 Start-Up Flowcharts | 98 |
| Flowchart A: Basic Start-up and Motor Tuning | 98 |
| Subchart A-1: Simple Motor Setup Using V/f Control | 99 |
| Subchart A-2: High Performance Operation Using OLV or CLV | 100 |
| Subchart A-3: Operation with Permanent Magnet Motors | 101 |
| 4.5 Powering Up the Drive | 102 |
| Powering Up the Drive and Operation Status Display | 102 |
| 4.6 Application Selection | 103 |
| Setting 1: Water Supply Pump Application | 103 |
| Setting 2: Conveyor Application | 103 |
| Setting 3: Exhaust Fan Application | 104 |
| Setting 4: HVAC Fan Application | 104 |
| Setting 5: Compressor Application | 105 |
| Setting 6: Hoist Application | 105 |
| Notes on Controlling the Brake when Using the Hoist Application Preset | 106 |
| Setting 7: Traveling Application | 108 |
| 4.7 Auto-Tuning | 109 |
| Types of Auto-Tuning | 109 |
| Before Auto-Tuning the Drive | 111 |
| Auto-Tuning Interruption and Fault Codes | 112 |
| Auto-Tuning Operation Example | 112 |
| Parameter Settings during Induction Motor Auto-Tuning: T1 | 114 |
| Parameter Settings during PM Motor Auto-Tuning: T2 | 116 |
| Parameter Settings during Inertia and Speed Control Loop Auto-Tuning: T3 | 119 |
| 4.8 No-Load Operation Test Run | 121 |
| No-Load Operation Test Run | 121 |
| 4.9 Test Run with Load Connected | 123 |
| Test Run with the Load Connected | 123 |
| 4.10 Verifying Parameter Settings and Backing Up Changes | 124 |
| Backing Up Parameter Values: o2-03 | 124 |
| Parameter Access Level: A1-01 | 124 |
| Password Settings: A1-04, A1-05 | 124 |
| Copy Function | 125 |
| 4.11 Test Run Checklist | 126 |
| 5. PARAMETER DETAILS | 129 |
| 5.1 A: Initialization | 130 |
| A1: Initialization | 130 |
| A2: User Parameters | 135 |
| 5.2 b: Application | 136 |
| b1: Operation Mode Selection | 136 |
| b2: DC Injection Braking and Short Circuit Braking | 144 |
| b3: Speed Search | 146 |
| b4: Delay Timers | 151 |
| b5: PID Control | 152 |
| b6: Dwell Function | 161 |
| b7: Droop Control (CLV, CLV/PM) | 162 |
| b8: Energy Saving | 163 |
| b9: Zero Servo | 164 |

| | |
|---|------------|
| 5.3 C: Tuning | 165 |
| C1: Acceleration and Deceleration Times | 165 |
| C2: S-Curve Characteristics | 167 |
| C3: Slip Compensation | 167 |
| C4: Torque Compensation | 170 |
| C5: Automatic Speed Regulator (ASR) | 171 |
| C6: Carrier Frequency | 177 |
| 5.4 d: Reference Settings | 180 |
| d1: Frequency Reference | 180 |
| d2: Frequency Upper/Lower Limits | 182 |
| d3: Jump Frequency | 182 |
| d4: Frequency Reference Hold and Up/Down 2 Function | 183 |
| d5: Torque Control | 188 |
| d6: Field Weakening and Field Forcing | 192 |
| d7: Offset Frequency | 193 |
| 5.5 E: Motor Parameters | 194 |
| E1: V/f Pattern for Motor 1 | 194 |
| E2: Motor 1 Parameters | 198 |
| E3: V/f Pattern for Motor 2 | 201 |
| E4: Motor 2 Parameters | 202 |
| E5: PM Motor Settings | 204 |
| 5.6 F: Option Settings | 206 |
| F1: PG Speed Control Card Settings | 206 |
| F2: Analog Input Card Settings | 209 |
| F3: Digital Input Card Settings | 209 |
| F4: Analog Monitor Card Settings | 210 |
| F5: Digital Output Card Settings | 211 |
| F6: Communication Option Card | 211 |
| CC-Link Parameters | 213 |
| MECHATROLINK Parameters | 213 |
| PROFIBUS-DP Parameters | 213 |
| CANopen Parameters | 213 |
| DeviceNet Parameters | 213 |
| 5.7 H: Terminal Functions | 214 |
| H1: Multi-Function Digital Inputs | 214 |
| H2: Multi-Function Digital Outputs | 224 |
| H3: Multi-Function Analog Inputs | 234 |
| H4: Multi-Function Analog Outputs | 239 |
| H5: MEMOBUS/Modbus Serial Communication | 241 |
| H6: Pulse Train Input/Output | 241 |
| 5.8 L: Protection Functions | 244 |
| L1: Motor Protection | 244 |
| L2: Momentary Power Loss Ride-Thru | 249 |
| L3: Stall Prevention | 255 |
| L4: Speed Detection | 262 |
| L5: Fault Restart | 263 |
| L6: Torque Detection | 264 |
| L7: Torque Limit | 267 |
| L8: Drive Protection | 269 |

| | |
|---|------------|
| 5.9 n: Special Adjustments | 275 |
| n1: Hunting Prevention | 275 |
| n2: Speed Feedback Detection Control (AFR) Tuning | 276 |
| n3: High Slip Braking (HSB) and Overexcitation Braking | 276 |
| n5: Feed Forward Control | 279 |
| n6: Online Tuning | 280 |
| n8: PM Motor Control Tuning | 281 |
| 5.10 o: Operator Related Settings | 284 |
| o1: Digital Operator Display Selection | 284 |
| o2: Digital Operator Keypad Functions | 285 |
| o3: Copy Function | 287 |
| o4: Maintenance Monitor Settings | 288 |
| q: DriveWorksEZ Parameters | 289 |
| r: DriveWorksEZ Connection Parameters | 289 |
| T: Motor Tuning | 290 |
| 5.11 U: Monitor Parameters | 291 |
| U1: Operation Status Monitors | 291 |
| U2: Fault Trace | 291 |
| U3: Fault History | 291 |
| U4: Maintenance Monitors | 291 |
| U5: PID Monitors | 291 |
| U6: Operation Status Monitors | 291 |
| U8: DriveWorksEZ Monitors | 292 |
| 6. TROUBLESHOOTING | 293 |
| 6.1 Section Safety | 294 |
| 6.2 Motor Performance Fine-Tuning | 296 |
| Fine-Tuning V/f Control and V/f Control with PG | 296 |
| Fine-Tuning Open Loop Vector Control | 296 |
| Fine-Tuning Closed Loop Vector Control | 297 |
| Fine-Tuning Open Loop Vector Control for PM Motors | 297 |
| Fine-Tuning Advanced Open Loop Vector Control for PM Motors | 298 |
| Fine-Tuning Closed Loop Vector Control for PM Motors | 298 |
| Parameters to Minimize Motor Hunting and Oscillation | 299 |
| 6.3 Drive Alarms, Faults, and Errors | 300 |
| Types of Alarms, Faults, and Errors | 300 |
| Alarm and Error Displays | 301 |
| 6.4 Fault Detection | 306 |
| Fault Displays, Causes, and Possible Solutions | 306 |
| 6.5 Alarm Detection | 319 |
| Alarm Codes, Causes, and Possible Solutions | 319 |
| 6.6 Operator Programming Errors | 325 |
| oPE Codes, Causes, and Possible Solutions | 325 |
| 6.7 Auto-Tuning Fault Detection | 328 |
| Auto-Tuning Codes, Causes, and Possible Solutions | 328 |
| 6.8 Copy Function Related Displays | 332 |
| Tasks, Errors, and Troubleshooting | 332 |
| 6.9 Diagnosing and Resetting Faults | 334 |
| Fault Occurs Simultaneously with Power Loss | 334 |
| If the Drive Still has Power After a Fault Occurs | 334 |
| Viewing Fault Trace Data After Fault | 334 |
| Fault Reset Methods | 335 |

| | |
|--|------------|
| 6.10 Troubleshooting without Fault Display | 336 |
| Common Problems | 336 |
| Cannot Change Parameter Settings | 336 |
| Motor Does Not Rotate Properly after Pressing RUN Button or after Entering External Run Command | 337 |
| Motor is Too Hot | 338 |
| Drive Does Not Allow Selection the Desired Auto-Tuning Mode | 338 |
| oPE02 Error Occurs When Lowering the Motor Rated Current Setting | 338 |
| Motor Stalls during Acceleration or Acceleration Time is Too Long | 338 |
| Drive Frequency Reference Differs from the Controller Frequency Reference Command | 339 |
| Excessive Motor Oscillation and Erratic Rotation | 339 |
| Deceleration Takes Longer Than Expected with Dynamic Braking Enabled | 339 |
| Load Falls When Brake is Applied (Hoist-Type Applications) | 339 |
| Noise From Drive or Output Lines When the Drive is Powered On | 340 |
| Earth Leakage Circuit Breaker (ELCB) Trips During Run | 340 |
| Connected Machinery Vibrates When Motor Rotates | 340 |
| PID Output Fault | 340 |
| Insufficient Starting Torque | 340 |
| Motor Rotates After the Drive Output is Shut Off (Motor Rotates During DC Injection Braking) | 341 |
| Output Frequency is not as High as Frequency Reference | 341 |
| Buzzing Sound from Motor at 2 kHz | 341 |
| Unstable Motor Speed when Using PM | 341 |
| Motor Does Not Restart after Power Loss | 341 |
| 7. PERIODIC INSPECTION & MAINTENANCE | 343 |
| 7.1 Section Safety | 344 |
| 7.2 Inspection | 347 |
| Recommended Daily Inspection | 347 |
| Recommended Periodic Inspection | 348 |
| 7.3 Periodic Maintenance | 349 |
| Replacement Parts | 349 |
| 7.4 Cooling Fan and Circulation Fan | 351 |
| Number of Fan | 351 |
| Cooling Fan Component Names | 352 |
| Cooling Fan Replacement: 2A0021 to 2A0081 and 4A0007 to 4A0044 | 353 |
| Cooling Fan Replacement: 2A0110 and 2A0138, 4A0058 and 4A0072 | 355 |
| Cooling Fan Replacement: 4A0088 and 4A0103 | 357 |
| Cooling Fan Replacement: 2A0169 to 2A0415, 4A0139 to 4A0362 | 359 |
| Cooling Fan Replacement: 4A0414 | 363 |
| Cooling Fan Replacement: 4A0515 and 4A0675 | 365 |
| 7.5 Drive Replacement | 369 |
| Serviceable Parts | 369 |
| Terminal Board | 369 |
| Replacing the Drive | 370 |
| 8. PERIPHERAL DEVICES & OPTIONS | 373 |
| 8.1 Section Safety | 374 |
| 8.2 Drive Options and Peripheral Devices | 375 |
| 8.3 Connecting Peripheral Devices | 376 |
| 8.4 Option Card Installation | 377 |
| Installing Option Cards | 377 |
| Installation Procedure | 377 |

| | |
|--|------------|
| 8.5 Installing Peripheral Devices | 379 |
| Dynamic Braking Options | 379 |
| Installing a Molded Case Circuit Breaker (MCCB) | 381 |
| Installing a Magnetic Contactor | 382 |
| Connecting an AC or DC Reactor | 383 |
| Connecting a Noise Filter | 383 |
| Installing Input Fuses | 385 |
| Attachment for External Heatsink | 385 |
| Installing a Motor Thermal Overload (oL) Relay on the Drive Output | 386 |
| A. SPECIFICATIONS..... | 387 |
| A.1 Heavy Duty and Normal Duty Ratings | 388 |
| A.2 Three-Phase 200 V Class Drives | 389 |
| A.3 Three-Phase 400 V Class Drives | 390 |
| A.4 Drive Specifications | 391 |
| A.5 Drive Watt Loss Data | 393 |
| A.6 Drive Derating Data. | 394 |
| Carrier Frequency Derating | 394 |
| Temperature Derating | 395 |
| Altitude Derating | 396 |
| B. PARAMETER LIST | 397 |
| B.1 Understanding the Parameter Table | 398 |
| Control Modes, Symbols, and Terms | 398 |
| B.2 Parameter Groups. | 399 |
| B.3 Parameter Table | 400 |
| A: Initialization Parameters | 400 |
| b: Application | 401 |
| C: Tuning | 406 |
| d: References | 411 |
| E: Motor Parameters | 414 |
| F: Options | 418 |
| H Parameters: Multi-Function Terminals | 423 |
| L: Protection Function | 434 |
| n: Special Adjustment | 439 |
| o: Operator Related Settings | 442 |
| q: DriveWorksEZ Parameters | 444 |
| r: DriveWorksEZ Connection Parameters | 444 |
| T: Motor Tuning | 444 |
| U: Monitors | 447 |
| B.4 Control Mode Dependent Parameter Default Values. | 454 |
| A1-02 (Motor 1 Control Mode) Dependent Parameters | 454 |
| E3-01 (Motor 2 Control Mode) Dependent Parameters | 455 |
| B.5 V/f Pattern Default Values | 456 |
| B.6 Defaults by Drive Model Selection (o2-04) and ND/HD (C6-01) | 457 |
| B.7 Parameters that Change with the Motor Code Selection | 463 |
| YASKAWA SMRA Series SPM Motor | 463 |
| YASKAWA SSR1 Series IPM Motor (For Derated Torque) | 464 |
| YASKAWA SST4 Series IPM Motor (For Constant Torque) | 470 |

| | | |
|-----------|---|------------|
| C. | MEMOBUS/MODBUS COMMUNICATIONS..... | 477 |
| | C.1 MEMOBUS/Modbus Configuration..... | 478 |
| | C.2 Communication Specifications | 479 |
| | C.3 Connecting to a Network | 480 |
| | Network Cable Connection | 480 |
| | Wiring Diagram for Multiple Connection | 480 |
| | Network Termination | 481 |
| | C.4 MEMOBUS/Modbus Setup Parameters | 482 |
| | MEMOBUS/Modbus Serial Communication | 482 |
| | C.5 Drive Operations by MEMOBUS/Modbus | 485 |
| | Observing the Drive Operation | 485 |
| | Controlling the Drive | 485 |
| | C.6 Communications Timing..... | 486 |
| | Command Messages from Master to Drive | 486 |
| | Response Messages from Drive to Master | 486 |
| | C.7 Message Format | 487 |
| | Message Content | 487 |
| | Slave Address | 487 |
| | Function Code | 487 |
| | Data | 487 |
| | Error Check | 487 |
| | C.8 Message Examples | 489 |
| | Reading Drive MEMOBUS/Modbus Register Contents | 489 |
| | Loopback Test | 489 |
| | Writing to Multiple Registers | 489 |
| | C.9 MEMOBUS/Modbus Data Table | 491 |
| | Command Data | 491 |
| | Monitor Data | 492 |
| | Broadcast Messages | 500 |
| | Fault Trace Contents | 500 |
| | Alarm Register Contents | 501 |
| | C.10 Enter Command..... | 503 |
| | Enter Command Types | 503 |
| | Enter Command Settings when Upgrading the Drive | 503 |
| | C.11 Communication Errors | 504 |
| | MEMOBUS/Modbus Error Codes | 504 |
| | Slave Not Responding | 504 |
| | C.12 Self-Diagnostics..... | 505 |
| D. | STANDARDS COMPLIANCE | 507 |
| | D.1 Section Safety | 508 |
| | D.2 European Standards | 510 |
| | CE Low Voltage Directive Compliance | 510 |
| | EMC Guidelines Compliance | 510 |
| | D.3 UL Standards | 515 |
| | UL Standards Compliance | 515 |
| | Drive Motor Overload Protection | 516 |
| | D.4 Safe Disable Input Function | 518 |
| | Specifications | 518 |
| | Precautions | 518 |
| | Using the Safe Disable Function | 518 |

| | | |
|-------------------------------|---|------------|
| E. | QUICK REFERENCE SHEET | 521 |
| | E.1 Drive and Motor Specifications | 522 |
| | Drive Specifications | 522 |
| | Motor Specifications | 522 |
| | E.2 Basic Parameter Settings..... | 523 |
| | Basic Setup | 523 |
| | V/f Pattern Setup | 523 |
| | Motor Setup | 523 |
| | Multi-Function Digital Inputs | 523 |
| | Pulse Train Input/Analog Inputs | 523 |
| | Multi-Function Digital Outputs | 523 |
| | Monitor Outputs | 523 |
| | E.3 User Setting Table..... | 524 |
| Index | | 529 |
| Revision History | | 543 |





Preface & General Safety

This section provides safety messages pertinent to this product that, if not heeded, may result in fatality, personal injury, or equipment damage. Yaskawa is not responsible for the consequences of ignoring these instructions.

| | |
|---------------------------------|-----------|
| I.1 PREFACE | 16 |
| I.2 GENERAL SAFETY | 17 |

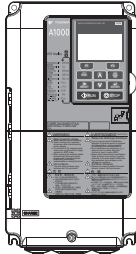
i.1 Preface

Yaskawa manufactures products used as components in a wide variety of industrial systems and equipment. The selection and application of Yaskawa products remain the responsibility of the equipment manufacturer or end user. Yaskawa accepts no responsibility for the way its products are incorporated into the final system design. Under no circumstances should any Yaskawa product be incorporated into any product or design as the exclusive or sole safety control. Without exception, all controls should be designed to detect faults dynamically and fail safely under all circumstances. All systems or equipment designed to incorporate a product manufactured by Yaskawa must be supplied to the end user with appropriate warnings and instructions as to the safe use and operation of that part. Any warnings provided by Yaskawa must be promptly provided to the end user. Yaskawa offers an express warranty only as to the quality of its products in conforming to standards and specifications published in the Yaskawa manual. **NO OTHER WARRANTY, EXPRESSED OR IMPLIED, IS OFFERED.** Yaskawa assumes no liability for any personal injury, property damage, losses, or claims arising from misapplication of its products.

This manual is designed to ensure correct and suitable application of Variable A1000-Series Drives. Read this manual before attempting to install, operate, maintain, or inspect a drive and keep it in a safe, convenient location for future reference. Be sure you understand all precautions and safety information before attempting application.

◆ Applicable Documentation

The following manuals are available for A1000 series drives:

| | |
|--|---|
|  | A1000 Series AC Drive Quick Start Guide This guide is packaged together with the product. It contains basic information required to install and wire the drive, in addition to an overview of fault diagnostics, maintenance, and parameter settings. It is meant to get the drive ready for a trial run with the application and for basic operation. |
| | A1000 Series AC Drive Technical Manual (this book) This manual is included on the CD-ROM packaged with the product (Yaskawa AC Drive Manuals, TOBCC71061621), and is also available for download on our documentation website, e-mechatronics.com. This manual provides detailed information on parameter settings, drive functions, and MEMOBUS/Modbus specifications. Use this manual to expand drive functionality and to take advantage of higher performance features. |

◆ Symbols

Note: Indicates a supplement or precaution that does not cause drive damage.



Indicates a term or definition used in this manual.

◆ Terms and Abbreviations



- **Drive:** Yaskawa A1000 Series Drive
- **V/f:** V/f Control
- **V/f w/PG:** V/f Control with PG
- **OLV:** Open Loop Vector Control
- **CLV:** Closed Loop Vector Control
- **OLV/PM:** Open Loop Vector Control for PM
- **AOLV/PM:** Advanced Open Loop Vector Control for PM
- **CLV/PM:** Closed Loop Vector Control for PM
- **PM motor:** Permanent Magnet Synchronous motor (an abbreviation for IPM motor or SPM motor)
- **IPM motor:** Interior Permanent Magnet Motor (such as Yaskawa's SSR1 Series and SST4 Series motors)
- **SPM motor:** Surface mounted Permanent Magnet Motor (such as Yaskawa's SMRA Series motors)

i.2 General Safety

◆ Supplemental Safety Information

General Precautions

- The diagrams in this manual may be indicated without covers or safety shields to show details. Restore covers or shields before operating the drive and run the drive according to the instructions described in this manual.
- Any illustrations, photographs, or examples used in this manual are provided as examples only and may not apply to all products to which this manual is applicable.
- The products and specifications described in this manual or the content and presentation of the manual may be changed without notice to improve the product and/or the manual.
- When ordering a new copy of the manual due to damage or loss, contact your Yaskawa representative or the nearest Yaskawa sales office and provide the manual number shown on the front cover.
- If nameplate becomes worn or damaged, order a replacement from your Yaskawa representative or the nearest Yaskawa sales office.

WARNING

Read and understand this manual before installing, operating or servicing this drive. The drive must be installed according to this manual and local codes.

The following conventions are used to indicate safety messages in this manual. Failure to heed these messages could result in serious or possibly even fatal injury or damage to the products or to related equipment and systems.

DANGER

Indicates a hazardous situation, which, if not avoided, will result in death or serious injury.

WARNING

Indicates a hazardous situation, which, if not avoided, could result in death or serious injury.

WARNING! will also be indicated by a bold key word embedded in the text followed by an italicized safety message.

CAUTION

Indicates a hazardous situation, which, if not avoided, could result in minor or moderate injury.

CAUTION! will also be indicated by a bold key word embedded in the text followed by an italicized safety message.

NOTICE

Indicates a property damage message.

NOTICE: will also be indicated by a bold key word embedded in the text followed by an italicized safety message.

◆ Safety Messages

DANGER

Heed the safety messages in this manual.

Failure to comply will result in death or serious injury.

The operating company is responsible for any injuries or equipment damage resulting from failure to heed the warnings in this manual.

Electrical Shock Hazard

Do not connect or disconnect wiring while the power is on.

Failure to comply will result in death or serious injury.

Before servicing, disconnect all power to the equipment. The internal capacitor remains charged even after the power supply is turned off. After shutting off the power, wait for at least the amount of time specified on the drive before touching any components.

WARNING

Sudden Movement Hazard

System may start unexpectedly upon application of power, resulting in death or serious injury.

Clear all personnel from the drive, motor and machine area before applying power. Secure covers, couplings, shaft keys and machine loads before applying power to the drive.

When using DriveWorksEZ to create custom programming, the drive I/O terminal functions change from factory settings and the drive will not perform as outlined in this manual.

Unpredictable equipment operation may result in death or serious injury.

Take special note of custom I/O programming in the drive before attempting to operate equipment.

Electrical Shock Hazard

Do not attempt to modify or alter the drive in any way not explained in this manual.

Failure to comply could result in death or serious injury.

Yaskawa is not responsible for any modification of the product made by the user. This product must not be modified.

Do not allow unqualified personnel to use equipment.

Failure to comply could result in death or serious injury.

Maintenance, inspection, and replacement of parts must be performed only by authorized personnel familiar with installation, adjustment and maintenance of AC drives.

Do not remove covers or touch circuit boards while the power is on.

Failure to comply could result in death or serious injury.

Fire Hazard

Do not use an improper voltage source.

Failure to comply could result in death or serious injury by fire.

Verify that the rated voltage of the drive matches the voltage of the incoming power supply before applying power.

Crush Hazard

Do not use this drive in lifting applications without installing external safety circuitry to prevent accidental dropping of the load.

The drive does not possess built-in load drop protection for lifting applications.

Failure to comply could result in death or serious injury from falling loads.

Install electrical and/or mechanical safety circuit mechanisms independent of drive circuitry.

CAUTION**Crush Hazard**

Do not carry the drive by the front cover.

Failure to comply may result in minor or moderate injury from the main body of the drive falling.

NOTICE

Observe proper electrostatic discharge procedures (ESD) when handling the drive and circuit boards.

Failure to comply may result in ESD damage to the drive circuitry.

Do not perform a withstand voltage test on any part of the drive.

Failure to comply could result in damage to the sensitive devices within the drive.

Do not operate damaged equipment.

Failure to comply could result in further damage to the equipment.

Do not connect or operate any equipment with visible damage or missing parts.

Install adequate branch circuit short circuit protection per applicable codes.

Failure to comply could result in damage to the drive.

The drive is suitable for circuits capable of delivering not more than 100,000 RMS symmetrical Amperes, 240 Vac maximum (200 V Class) and 480 Vac maximum (400 V Class).

Do not expose the drive to halogen group disinfectants.

Failure to comply may cause damage to the electrical components in the drive.

Do not pack the drive in wooden materials that have been fumigated or sterilized.

Do not sterilize the entire package after the product is packed.

◆ Application Notes

■ Selection

Installing a Reactor

An AC or DC reactor can be used for the following:

- to suppress harmonic current.
- to smooth peak current that results from capacitor switching.
- when the power supply is above 600 kVA.
- when the drive is running from a power supply system with thyristor converters.

Note: A DC reactor is built in to the drive models 2A0110 to 2A0415 and 4A0058 to 4A0675.

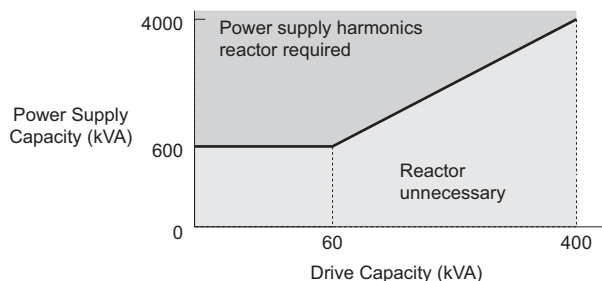


Figure i.1 Installing a Reactor

Drive Capacity

For specialized motors, make sure that the motor rated current is less than rated output current for the drive. When running more than one motor in parallel from a single drive, the capacity of the drive should be larger than 1.1 times of the total motor rated current.

Starting Torque

The overload rating for the drive determines the starting and accelerating characteristics of the motor. Expect lower torque than when running from line power. To get more starting torque, use a larger drive or increase both the motor and drive capacity.

Emergency Stop

When the drive faults out, the output is shut off. This, however, does not stop the motor immediately. Some type of mechanical brake may be needed if it is necessary to halt the motor faster than the Fast Stop function is able to.

Options

The B1, B2, +1, +2, and +3 terminals are used to connect optional devices. Connect only A1000-compatible devices.

Repetitive Starting/Stopping

Cranes (hoists), elevators, punching presses, and other such applications with frequent starts and stops often exceed 150% of their rated current values. Heat stress generated from repetitive high current can shorten the life span of the IGBTs.

Yaskawa recommends lowering the carrier frequency, particularly when audible noise is not a concern. The user can also choose to reduce the load, increase the acceleration and deceleration times, or switch to a larger drive. This will help keep peak current levels under 150%. Be sure to check the peak current levels when starting and stopping repeatedly during the initial test run, and make adjustments accordingly.

For crane-type applications using an inching function in which the motor is quickly started and stopped, Yaskawa recommends the following to ensure motor torque levels:

- Select a large enough drive so that peak current levels remain below 150% of the drive rated current.
- The drive should be one frame size larger than the motor.

■ Installation

Enclosure Panels

Keep the drive in a clean environment by either selecting an area free of airborne dust, lint, and oil mist, or install the drive in an enclosure panel. Be sure to leave the required space between drives to provide for cooling, and that proper measures are taken so that the ambient temperature remains within allowable limits. Keep flammable materials away from the drive. If the drive must be used in an area where it is subjected to oil mist and excessive vibration, protective designs are available. Contact Yaskawa or your Yaskawa agent for details.

Installation Direction

The drive should be installed upright as specified in the manual. For more information on installation, [Refer to Mechanical Installation on page 40](#).

■ Settings

Upper Limits

The drive is capable of running the motor up to 400 Hz. Due to the danger of accidentally operating at high speed, be sure to set the upper limit for the frequency. The default setting for the maximum output frequency is 50 Hz.

DC Injection Braking

Motor overheat can result if there is too much current used during DC Injection Braking, or if the time for DC Injection Braking is too long.

Acceleration/Deceleration Times

Acceleration and deceleration times are affected by how much torque the motor generates, the load torque, and the inertia moment. Set a longer accel/decel time when Stall Prevention is enabled. The accel/decel times are lengthened for as long as the Stall Prevention function is operating. For faster acceleration and deceleration, install one of the braking options available or increase the capacity of the drive.

■ General Handling

Wiring Check

Never connect the power supply lines to output terminals U/T1, V/T2, or W/T3. Doing so will destroy the drive. Be sure to perform a final check of all sequence wiring and other connections before turning the power on. Make sure there are no short circuits on the control terminals (+V, AC, etc.), as this could damage the drive.

Selecting a Circuit Breaker or Leakage Circuit Breaker

Yaskawa recommends installing Earth Leakage Circuit Breaker (ELCB) to the power supply side. The ELCB should be designed for use with an AC drive (e.g. Type B according to IEC 60755).

Select a MCCB (Molded Case Circuit Breaker) or ELCB with a rated current that is 1.5 to 2 times higher than the rated current of the drive in order to avoid nuisance trips caused by harmonics in the drive input current. Also refer to [Installing a Molded Case Circuit Breaker \(MCCB\) on page 381](#).

Magnetic Contactor Installation

Use a magnetic contactor (MC) to ensure that power to the drive can be completely shut off when necessary. The MC should be wired so that it opens when a fault output terminal is triggered.

Avoid switching a magnetic contactor on the power supply side more frequently than once every 30 minutes. Frequent switching can cause damage to the drive.

Inspection and Maintenance

Capacitors in the drive take time to discharge even after the power has been shut off. After shutting off the power, wait for at least the amount of time specified on the drive before touching any components.

The heatsink can become quite hot during operation, and proper precautions should be taken to prevent burns. When replacing the cooling fan, shut off the power and wait at least 15 minutes to be sure that the heatsink has cooled down.

Even when the power has been shut off for a drive running a PM motor, voltage continues to be generated at the motor terminals while the motor coasts to stop. Take the precautions described below to prevent shock and injury:

- In Applications where the machine can still rotate even though the drive has fully stopped a load switch for disconnecting motor and drive should be installed to the output side of the drive.
- Do not allow an external force to rotate the motor beyond the maximum allowable speed, also when the drive has been shut off.
- Wait for at least the time specified on the warning label after opening the load switch on the output side before inspecting the drive or performing any maintenance.
- Do not open and close the load switch while the motor is running, as this can damage the drive.
- If the motor is coasting, make sure the power to the drive is turned on and the drive output has completely stopped before closing the load switch.

Wiring

All wire ends should use ring terminals for UL/cUL compliance. Use only the tools recommended by the terminal manufacturer for crimping.

Transporting the Drive

Never steam clean the drive.

During transport, keep the drive from coming into contact with salts, fluorine, bromine, phthalate ester, and other such harmful chemicals.

◆ Notes on Motor Operation

■ Using a Standard Motor

Low Speed Range

The cooling fan of a standard motor is usually designed to sufficiently cool the motor at the rated speed. As the self-cooling capability of such a motor reduces with the speed, applying full torque at low speed will possibly damage the motor. To prevent motor damage from overheat, reduce the load torque as the motor slows.

Insulation Tolerance

Consider voltage tolerance levels and insulation in applications with an input voltage of over 440 V or particularly long wiring distances. Contact Yaskawa or your Yaskawa agent for consultation.

High Speed Operation

Problems may occur with the motor bearings and dynamic balance of the machine when operating a motor beyond its rated speed. Contact the motor or machine manufacturer.

Torque Characteristics

Torque characteristics differ compared to operating the motor directly from line power. The user should have a full understanding of the load torque characteristics for the application.

Vibration and Shock

A1000 lets the user choose between high carrier PWM control and low carrier PWM. Selecting high carrier PWM can help reduce motor oscillation.

Take particular caution when using a variable speed drive for an application that is conventionally run from line power at a constant speed. If resonance occurs shock-absorbing rubber should be installed around the base of the motor and the Jump frequency selection should be enabled to prevent continuous operation in the resonant frequency range.

Audible Noise

Noise created during run varies by the carrier frequency setting. When using a high carrier frequency, audible noise from the motor is comparable to the motor noise generated when running from line power. Operating above the rated r/min, however, can create unpleasant motor noise.

■ Using a Synchronous Motor

- Contact Yaskawa or your Yaskawa agent if you plan to use any other synchronous motor not endorsed by Yaskawa.
- A single drive is not capable of running multiple synchronous motors at the same time. Use a standard induction motor for such setups.
- At start, a synchronous motor may rotate slightly in the opposite direction of the Run command depending on parameter settings and rotor position.
- The amount of starting torque that can be generated differs by each control mode and by the type of motor being used. Set up the motor with the drive after verifying the starting torque, allowable load characteristics, impact load tolerance, and speed control range.

Contact Yaskawa or your Yaskawa agent if you plan to use a motor that does not fall within these specifications.

- In Open Loop Vector Control for PM motors, braking torque is less than 125% when running between 20% to 100% speed, even with a braking resistor. Braking torque drops to less than half when running at less than 20% speed.
- In Open Loop Vector Control for PM motors, the allowable load inertia moment is approximately 50 times higher than the motor inertia moment or less. Contact Yaskawa or your Yaskawa agent concerning applications with a larger inertia moment.
- When using a holding brake in Open Loop Vector Control for PM motors, release the brake prior to starting the motor. Failure to set the proper timing can result in speed loss. Not for use with conveyor, transport, or hoist type applications.
- To restart a coasting motor rotating at over 200 Hz while in the V/f control mode, use the Short Circuit Braking function to first bring the motor to a stop. Short Circuit Braking requires a special braking resistor. Contact Yaskawa or your Yaskawa agent for details.

Speed Search can be used to restart a coasting motor rotating slower than 200 Hz. If the motor cable is relatively long, however, the motor should instead be stopped using Short Circuit Braking, which forces the motor to stop by creating a short-circuit in the motor windings.

◆ Applications with Specialized Motors

■ Applications with Specialized Motors

Multi-Pole Motor

Because the rated current will differ from a standard motor, be sure to check the maximum current when selecting a drive. Always stop the motor before switching between the number of motor poles. If a regen overvoltage fault occurs or if overcurrent protection is triggered, the motor will coast to stop.

Submersible Motor

Because motor rated current is greater than a standard motor, select the drive capacity accordingly. Be sure to use a large enough motor cable to avoid decreasing the maximum torque level on account of voltage drop caused by a long motor cable.

Explosion-Proof Motor

Both the motor and drive need to be tested together to be certified as explosion-proof. The drive is not designed for explosion proof areas.

Furthermore, if an encoder is attached to an explosion-proof motor make sure the encoder is explosion-proof too. Use an insulating signal converter for connecting the encoder signal lines to the drives speed feedback option card.

Geared Motor

To avoid gear damage when operating at low speeds or very high speeds, make sure that both the gear and lubricant are rated for the desired speed range. Consult with the manufacturer for applications that require operation outside the rated speed range of the motor or gear box.

Single-Phase Motor

Variable speed drives are not designed for operation with single phase motors. Using capacitors to start the motor causes excessive current to flow and can damage drive components. A split-phase start or a repulsion start can end up burning out the starter coils because the internal centrifugal switch is not activated. A1000 is for use with three-phase motors only.

Motor with Brake

Caution should be taken when using a drive to operate a motor with a built-in holding brake. If the brake is connected to the output side of the drive, it may not release at start due to low voltage levels. A separate power supply should be installed for the motor brake. Motors with a built-in brake tend to generate a fair amount of noise when running at low speeds.

■ Notes on Power Transmission Parts (belts, chains, gear boxes, ...)

Installing a drive in a machine that was directly connected to the power supply allows to adjust the machine speed. Continuous operation above or below the rated speed can wear on lubrication material in gear boxes and other power transmission parts. In order to avoid machine damage make sure lubrication is sufficient within the whole speed range. Note that operation above the rated speed can increase the noise generated by the machine.

◆ Drive Label Warnings

Always heed the warning information listed in *Figure i.2* in the position shown in *Figure i.3*.

⚠ WARNING

⚡ Risk of electric shock.

- Read manual before installing.
- Wait 5 minutes for capacitor discharge after disconnecting power supply.
- To conform to CE requirements, make sure to ground the supply neutral for 400V class.
- After opening the manual switch between the drive and motor, please wait 5 minutes before inspecting, performing maintenance or wiring the drive.

🔥 Hot surfaces

- Top and Side surfaces may become hot. Do not touch.

Figure i.2 Warning Information

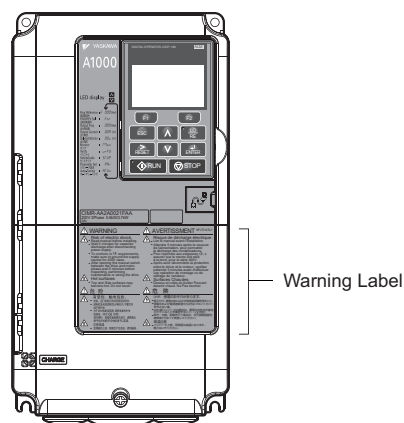


Figure i.3 Warning Information Position

◆ Warranty Information

■ Restrictions

A1000 was not designed or manufactured for use in devices or systems that may directly affect or threaten human lives or health.

Customers who intend to use the product described in this manual for devices or systems relating to transportation, health care, space aviation, atomic power, electric power, or in underwater applications must first contact their Yaskawa representatives or the nearest Yaskawa sales office.

This product has been manufactured under strict quality-control guidelines. However, if this product is to be installed in any location where failure of this product could involve or result in a life-and-death situation or loss of human life or in a facility where failure may cause a serious accident or physical injury, safety devices must be installed to minimize the likelihood of any accident.



Receiving

This chapter explains how to inspect the drive upon receipt, and gives an overview of the different enclosure types and components.

| | |
|---|-----------|
| 1.1 SECTION SAFETY | 26 |
| 1.2 GENERAL DESCRIPTION | 27 |
| 1.3 MODEL NUMBER AND NAMEPLATE CHECK | 29 |
| 1.4 DRIVE MODELS AND ENCLOSURE TYPES | 31 |
| 1.5 COMPONENT NAMES | 32 |

1.1 Section Safety

CAUTION

Do not carry the drive by the front cover or the terminal cover.

Failure to comply may cause the main body of the drive to fall, resulting in minor or moderate injury.

NOTICE

Observe proper electrostatic discharge procedures (ESD) when handling the drive and circuit boards.

Failure to comply may result in ESD damage to the drive circuitry.

A motor connected to a PWM drive may operate at a higher temperature than a utility-fed motor and the operating speed range may reduce motor cooling capacity.

Ensure that the motor is suitable for drive duty and/or the motor service factor is adequate to accommodate the additional heating with the intended operating conditions.

1.2 General Description

◆ A1000 Model Selection

Table 1.1 gives a reference for drive selection depending on the motor power and Normal or Heavy Duty rating.

Note: The models and capacities in shown here are based on standard settings and operation conditions. Derating is required for higher carrier frequencies and higher ambient temperatures.

Table 1.1 A1000 Models

| Motor Power (kW) | 3-Phase 200 V Class | | | | 3-Phase 400 V Class | | | |
|------------------|---------------------|--------------------------|--------------------|------------------------------|---------------------|--------------------------|--------------------|------------------------------|
| | Heavy Duty Rating | | Normal Duty Rating | | Heavy Duty Rating | | Normal Duty Rating | |
| | Model CIMR-A□ | Rated Output Current (A) | Model CIMR-A□ | Rated Output Current (A) <3> | Model CIMR-A□ | Rated Output Current (A) | Model CIMR-A□ | Rated Output Current (A) <3> |
| 0.55 | 2A0004 | 3.2 <1> | – | – | 4A0002 | 1.8 | – | – |
| 0.75 | 2A0006 | 5 <1> | 2A0004 | 3.5 | 4A0004 | 3.4 | 4A0002 | 2.1 |
| 1.1 | – | – | 2A0006 | 6 | – | – | – | – |
| 1.5 | 2A0010 | 8 <1> | – | – | 4A0005 | 4.8 | 4A0004 | 4.1 |
| 2.2 | 2A0012 | 11 <1> | 2A0010 | 9.6 | 4A0007 | 5.5 | 4A0005 | 5.4 |
| 3.0 | – | – | 2A0012 | 12 | 4A0009 | 7.2 | 4A0007 | 6.9 |
| 4.0 | 2A0021 | 17.5 <1> | – | – | 4A0011 | 9.2 | 4A0009 | 8.8 |
| 5.5 | 2A0030 | 25 <1> | 2A0021 | 21 | 4A0018 | 14.8 | 4A0011 | 11.1 |
| 7.5 | 2A0040 | 33 <1> | 2A0030 | 30 | 4A0023 | 18 | 4A0018 | 17.5 |
| 11 | 2A0056 | 47 <1> | 2A0040 | 40 | 4A0031 | 24 <1> | 4A0023 | 23 |
| 15 | 2A0069 | 60 <1> | 2A0056 | 56 | 4A0038 | 31 <1> | 4A0031 | 31 |
| 18.5 | 2A0081 | 75 <1> | 2A0069 | 69 | 4A0044 | 39 <1> | 4A0038 | 38 |
| 22 | 2A0110 | 85 <1> | 2A0081 | 81 | 4A0058 | 45 <1> | 4A0044 | 44 |
| 30 | 2A0138 | 115 <1> | 2A0110 | 110 | 4A0072 | 60 <1> | 4A0058 | 58 |
| 37 | 2A0169 | 145 <1> | 2A0138 | 138 | 4A0088 | 75 <1> | 4A0072 | 72 |
| 45 | 2A0211 | 180 <2> | 2A0169 | 169 | 4A0103 | 91 <2> | 4A0088 | 88 |
| 55 | 2A0250 | 215 <2> | 2A0211 | 211 | 4A0139 | 112 <2> | 4A0103 | 103 |
| 75 | 2A0312 | 283 <2> | 2A0250 | 250 | 4A0165 | 150 <2> | 4A0139 | 139 |
| 90 | 2A0360 | 346 <2> | 2A0312 | 312 | 4A0208 | 180 <2> | 4A0165 | 165 |
| 110 | 2A0415 | 415 <2> | 2A0360 | 360 | 4A0250 | 216 <2> | 4A0208 | 208 |
| | – | – | 2A0415 | 415 | – | – | – | – |
| 132 | – | – | – | – | 4A0296 | 260 <2> | 4A0250 | 250 |
| 160 | – | – | – | – | 4A0362 | 304 <2> | 4A0296 | 296 |
| 185 | – | – | – | – | 4A0414 | 370 <2> | 4A0362 | 362 |
| 220 | – | – | – | – | 4A0515 | 450 <2> | 4A0414 | 414 |
| 250 | – | – | – | – | – | – | 4A0515 | 515 |
| 315 | – | – | – | – | 4A0675 | 605 <3> | – | – |
| 355 | – | – | – | – | – | – | 4A0675 | 675 |

<1> These values assume the carrier frequency is not set higher than 8 kHz.

<2> These values assume the carrier frequency is not set higher than 5 kHz.

<3> These values assume the carrier frequency is set to 2 kHz.

Note: Current derating is required when setting the carrier frequency higher. *Refer to Carrier Frequency Derating on page 394* for details.

1.2 General Description

◆ Control Mode Selection

Table 1.2 gives an overview of the A1000 control modes and their various features.

Table 1.2 Control Modes and their Features

| Motor Type | | Induction Motors | | | | Permanent Magnet Motors | | | Comments |
|--------------------------|-----------------------------|---|---|---|---|---|---|---|---|
| Control Mode | | V/f | V/f w/PG | OLV | CLV | OLV/PM | AOLV/PM | CLV/PM | – |
| Parameter Setting | | A1-02 = 0 | A1-02 = 1 | A1-02 = 2 | A1-02 = 3 | A1-02 = 5 | A1-02 = 6 | A1-02 = 7 | Default Setting is Open Loop Vector Control. |
| Basic Description | | V/f control | V/f control using motor speed feedback | Open Loop Vector control | Closed Loop Vector control | Open Loop Vector control for PM motors | Open Loop Vector control for IPM motors | Closed Loop Vector control for PM motors | – |
| Type of Applications | Motor Type | IM | IM | IM | IM | PM | IPM | PM | – |
| | Multi Motor | YES | N/A | N/A | N/A | N/A | N/A | N/A | – |
| | Motor data unknown | YES | N/A | N/A | N/A | N/A | N/A | N/A | – |
| | High Speed Accuracy | N/A | YES | YES | YES | YES | YES | YES | – |
| | High Speed Response | N/A | N/A | YES | YES | N/A | YES | YES | – |
| | Zero Speed Control | N/A | N/A | N/A | YES | N/A | YES | YES | – |
| | Torque Control Operation | N/A | N/A | N/A | YES | N/A | YES | YES | – |
| Torque Limit Operation | N/A | N/A | YES | YES | N/A | N/A | YES | – | |
| PG Option Card | | N/A | PG-B3 or PG-X3 | N/A | PG-B3 or PG-X3 | N/A | N/A | PG-X3 | – |
| Control Characteristics | Speed Control Range | 1:40 | 1:40 | 1:200 | 1:1500 | 1:20 | 1:100 | 1:1500 | May fluctuate with characteristics and motor temperature. |
| | Speed Accuracy | ±2 to 3% | ±0.03% | ±0.2% | ±0.02% | ±0.2% | ±0.2% | ±0.02% | Speed deviation when operating at constant speed. May fluctuate with characteristics and motor temperature. |
| | Speed Response | 3 Hz (approx.) | 3 Hz (approx.) | 10 Hz | 50 Hz | 10 Hz | 10 Hz | 50 Hz | Max. frequency of a speed reference signal that the drive can follow. May fluctuate with characteristics and motor temperature. |
| | Starting Torque | 150% at 3 Hz | 150% at 3 Hz | 200% at 0.3 Hz | 200% at 0 r/min | 100% at 5% speed | 200% at 0 r/min | 200% at 0 r/min | May fluctuate with characteristics and motor temperature. Performance may differ by capacity. |
| Application-Specific | Auto-Tuning | <ul style="list-style-type: none"> Energy Saving Tuning Line to line resistance | <ul style="list-style-type: none"> Energy Saving Tuning Line to line resistance | <ul style="list-style-type: none"> Rotational Stationary Line to line resistance | <ul style="list-style-type: none"> Rotational Stationary Line to line resistance ASR Inertia | <ul style="list-style-type: none"> Stationary Line to line resistance | <ul style="list-style-type: none"> Stationary Line to line resistance | <ul style="list-style-type: none"> Stationary Line to line resistance ASR Inertia Encoder Offset | Automatically adjusts parameter settings that concern electrical characteristics of the motor. |
| | Torque Limit | N/A | N/A | YES | YES | N/A | YES | YES | Sets the maximum torque for the motor to protect the load and connected machinery. |
| | Torque Control | N/A | N/A | N/A | YES | N/A | N/A | YES | Allows direct control of motor torque for tension control and other such applications. |
| | Droop Function | N/A | N/A | N/A | YES | N/A | N/A | YES | – |
| | Zero Servo Control | N/A | N/A | N/A | YES | N/A | N/A | YES | Locks the rotor position. |
| | Speed Search | YES | YES | YES | – | YES | YES | YES | Bi-directional speed detection of a coasting motor to restart it without stopping. |
| | Energy-Saving Control | YES | YES | YES | YES | N/A | YES (IPM motors only) | YES (IPM motors only) | Saves energy by always operating the motor at its maximum efficiency. |
| | High Slip Braking | YES | YES | N/A | N/A | N/A | N/A | N/A | Increases motor loss to allow for faster deceleration than normal without the use of a braking resistor. The effectiveness may vary based on motor characteristics. |
| | Feed Forward Control | N/A | N/A | N/A | YES | N/A | N/A | YES | Improves speed accuracy when the load changes by compensating effects of the system inertia. |
| | Kinetic Energy Buffering | YES | YES | YES | YES | YES | YES | YES | Decelerates the drive to allow it to ride through a momentary power loss and continue operation. |
| | Overexcitation Deceleration | YES | YES | YES | YES | N/A | N/A | N/A | Provides fast deceleration without using a braking resistor. |
| | Inertia Tuning, ASR Tuning | N/A | N/A | N/A | YES | N/A | N/A | YES | Provides automatic Speed Control and Feed Forward function tuning. |
| Overvoltage Suppression | YES | YES | YES | YES | YES | YES | YES | Prevents overvoltage by increasing speed during regeneration. Never use this function with hoist or crane applications. | |
| High Frequency Injection | N/A | N/A | N/A | N/A | N/A | YES | N/A | Greatly increases the speed control range of an IPM motor. | |

1.3 Model Number and Nameplate Check

Please perform the following tasks after receiving the drive:

- Inspect the drive for damage.
If the drive appears damaged upon receipt, contact the shipper immediately.
- Verify receipt of the correct model by checking the information on the nameplate.
- If you have received the wrong model or the drive does not function properly, contact your supplier.

◆ Nameplate

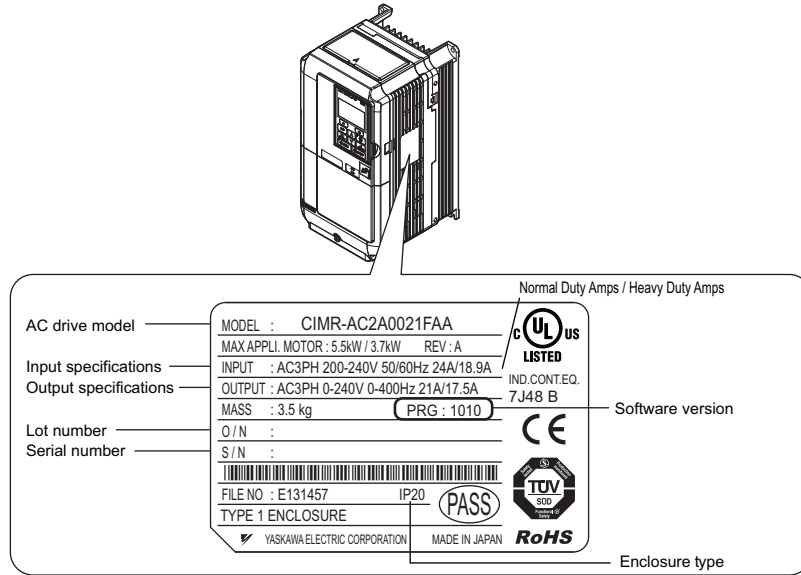
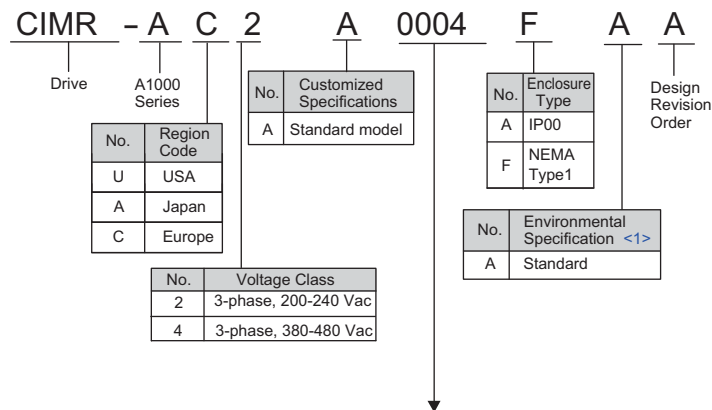


Figure 1.1 Nameplate Information



1.3 Model Number and Nameplate Check

■ Three-Phase 200 V

| Normal Duty | | |
|-------------|------------------------|------------------------|
| No. | Max. Motor Capacity kW | Rated Output Current A |
| 0004 | 0.75 | 3.5 |
| 0006 | 1.1 | 6.0 |
| 0010 | 2.2 | 9.6 |
| 0012 | 3.0 | 12 |
| 0021 | 5.5 | 21 |
| 0030 | 7.5 | 30 |
| 0040 | 11 | 40 |
| 0056 | 15 | 56 |
| 0069 | 18.5 | 69 |
| 0081 | 22 | 81 |
| 0110 | 30 | 110 |
| 0138 | 37 | 138 |
| 0169 | 45 | 169 |
| 0211 | 55 | 211 |
| 0250 | 75 | 250 |
| 0312 | 90 | 312 |
| 0360 | 110 | 360 |
| 0415 | 110 | 415 |

| Heavy Duty | | |
|------------|------------------------|------------------------|
| No. | Max. Motor Capacity kW | Rated Output Current A |
| 0004 | 0.55 | 3.2 |
| 0006 | 1.1 | 5 |
| 0010 | 1.5 | 8 |
| 0012 | 2.2 | 11 |
| 0021 | 4.0 | 17.5 |
| 0030 | 5.5 | 25 |
| 0040 | 7.5 | 33 |
| 0056 | 11 | 47 |
| 0069 | 15 | 60 |
| 0081 | 18.5 | 75 |
| 0110 | 22 | 85 |
| 0138 | 30 | 115 |
| 0169 | 37 | 145 |
| 0211 | 45 | 180 |
| 0250 | 55 | 215 |
| 0312 | 75 | 283 |
| 0360 | 90 | 346 |
| 0415 | 110 | 415 |

■ Three-Phase 400 V

| Normal Duty | | |
|-------------|------------------------|------------------------|
| No. | Max. Motor Capacity kW | Rated Output Current A |
| 0002 | 0.75 | 2.1 |
| 0004 | 1.5 | 4.1 |
| 0005 | 2.2 | 5.4 |
| 0007 | 3.0 | 6.9 |
| 0009 | 4.0 | 8.8 |
| 0011 | 5.5 | 11.1 |
| 0018 | 7.5 | 17.5 |
| 0023 | 11 | 23 |
| 0031 | 15 | 31 |
| 0038 | 18.5 | 38 |
| 0044 | 22 | 44 |
| 0058 | 30 | 58 |
| 0072 | 37 | 72 |
| 0088 | 45 | 88 |
| 0103 | 55 | 103 |
| 0139 | 75 | 139 |
| 0165 | 90 | 165 |
| 0208 | 110 | 208 |
| 0250 | 132 | 250 |
| 0296 | 160 | 296 |
| 0362 | 185 | 362 |
| 0414 | 220 | 414 |
| 0515 | 250 | 515 |
| 0675 | 355 | 675 |

| Heavy Duty | | |
|------------|------------------------|------------------------|
| No. | Max. Motor Capacity kW | Rated Output Current A |
| 0002 | 0.55 | 1.8 |
| 0004 | 1.1 | 3.4 |
| 0005 | 1.5 | 4.8 |
| 0007 | 2.2 | 5.5 |
| 0009 | 3.0 | 7.2 |
| 0011 | 4.0 | 9.2 |
| 0018 | 5.5 | 14.8 |
| 0023 | 7.5 | 18 |
| 0031 | 11 | 24 |
| 0038 | 15 | 31 |
| 0044 | 18.5 | 39 |
| 0058 | 22 | 45 |
| 0072 | 30 | 60 |
| 0088 | 37 | 75 |
| 0103 | 45 | 91 |
| 0139 | 55 | 112 |
| 0165 | 75 | 150 |
| 0208 | 90 | 180 |
| 0250 | 110 | 216 |
| 0296 | 132 | 260 |
| 0362 | 160 | 304 |
| 0414 | 185 | 370 |
| 0515 | 220 | 450 |
| 0675 | 315 | 605 |

<1> Contact Yaskawa for information about using drives in environments other than specified in this manual.

Note: Refer to *Drive Models and Enclosure Types on page 31* for differences regarding enclosure protection types and component descriptions.

1.4 Drive Models and Enclosure Types

Two types of enclosures are offered for A1000 drives.

- IP00 enclosure models are designed for installation in an enclosure panel that serves to protect personnel from injury caused by accidentally touching live parts.
- IP20/NEMA Type 1 enclosure models mount to an indoor wall or in an enclosure panel.

Table 1.3 describes drive enclosures and models.

Table 1.3 Drive Models and Enclosure Types

| Voltage Class | Enclosure Type | |
|----------------------------|---|---------------------------|
| | IP20/NEMA Type 1 Enclosure CIMR-A□ <1> | IP00 Enclosure CIMR-A□ |
| Three-Phase 200 V Class | 2A0004F | - |
| | 2A0006F | - |
| | 2A0010F | - |
| | 2A0012F | - |
| | 2A0021F | - |
| | 2A0030F | - |
| | 2A0040F | - |
| | 2A0056F | - |
| | 2A0069F | - |
| | 2A0081F | - |
| | - | 2A0110A |
| | - | 2A0138A |
| | - | 2A0169A |
| | - | 2A0211A |
| - | 2A0250A | |
| - | 2A0312A | |
| - | 2A0360A | |
| - | 2A0415A | |
| Three-Phase 400 V Class | 4A0002F | - |
| | 4A0004F | - |
| | 4A0005F | - |
| | 4A0007F | - |
| | 4A0009F | - |
| | 4A0011F | - |
| | 4A0018F | - |
| | 4A0023F | - |
| | 4A0031F | - |
| | 4A0038F | - |
| | 4A0044F | - |
| | - | 4A0058A |
| | - | 4A0072A |
| | - | 4A0088A |
| | - | 4A0103A |
| | - | 4A0139A |
| | - | 4A0165A |
| | - | 4A0208A |
| | - | 4A0250A |
| | - | 4A0296A |
| - | 4A0362A | |
| - | 4A0414A | |
| - | 4A0515A | |
| - | 4A0675A | |

<1> Removing the top protective cover from a IP20/NEMA Type 1 enclosure drive voids NEMA Type 1 protection but still keeps IP20 conformity.

1.5 Component Names

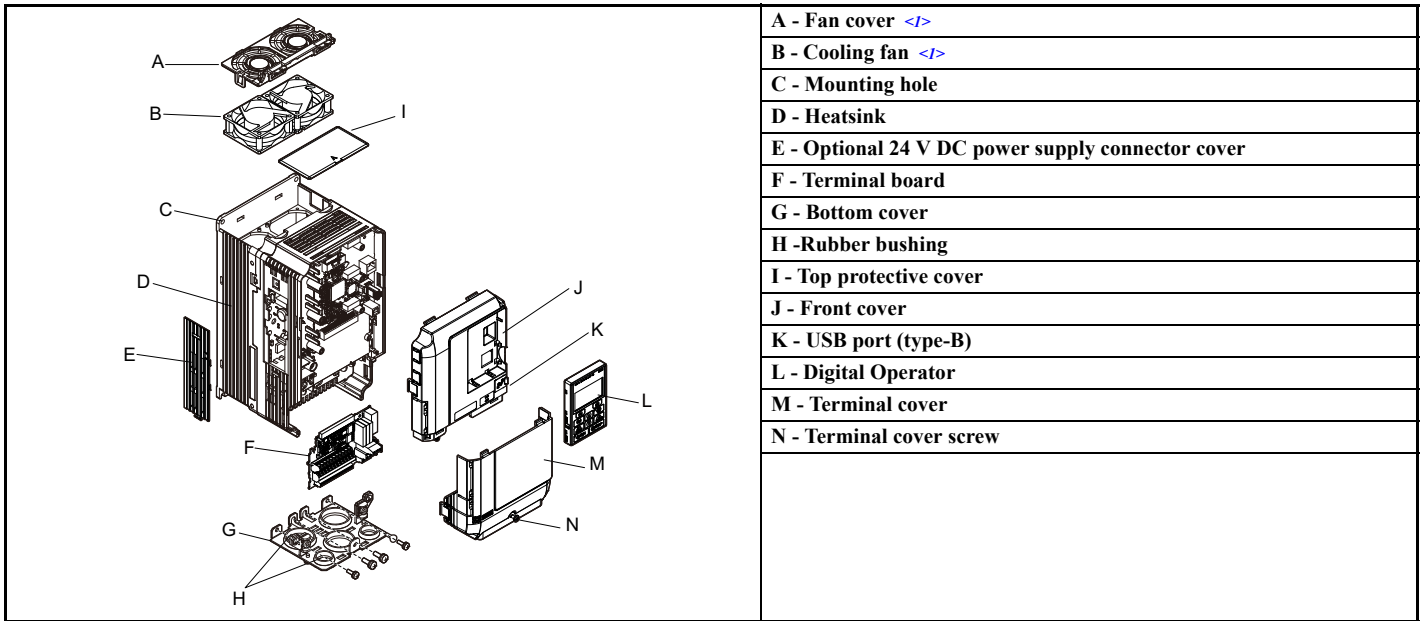
This section gives an overview of the drive components described in this manual.

- Note:**
1. See [Using the Digital Operator on page 87](#) for a description of the operator keypad.
 2. The drive may have no cooling fans or only one cooling fan depending on the model.

◆ IP20/NEMA Type 1 Enclosure

- Three-Phase AC200 V CIMR-A□2A0004F to 0081F
- Three-Phase AC400 V CIMR-A□4A0002F to 0044F

Table 1.4 Exploded View of IP20/NEMA Type 1 Enclosure Components (CIMR-A□2A0030F)

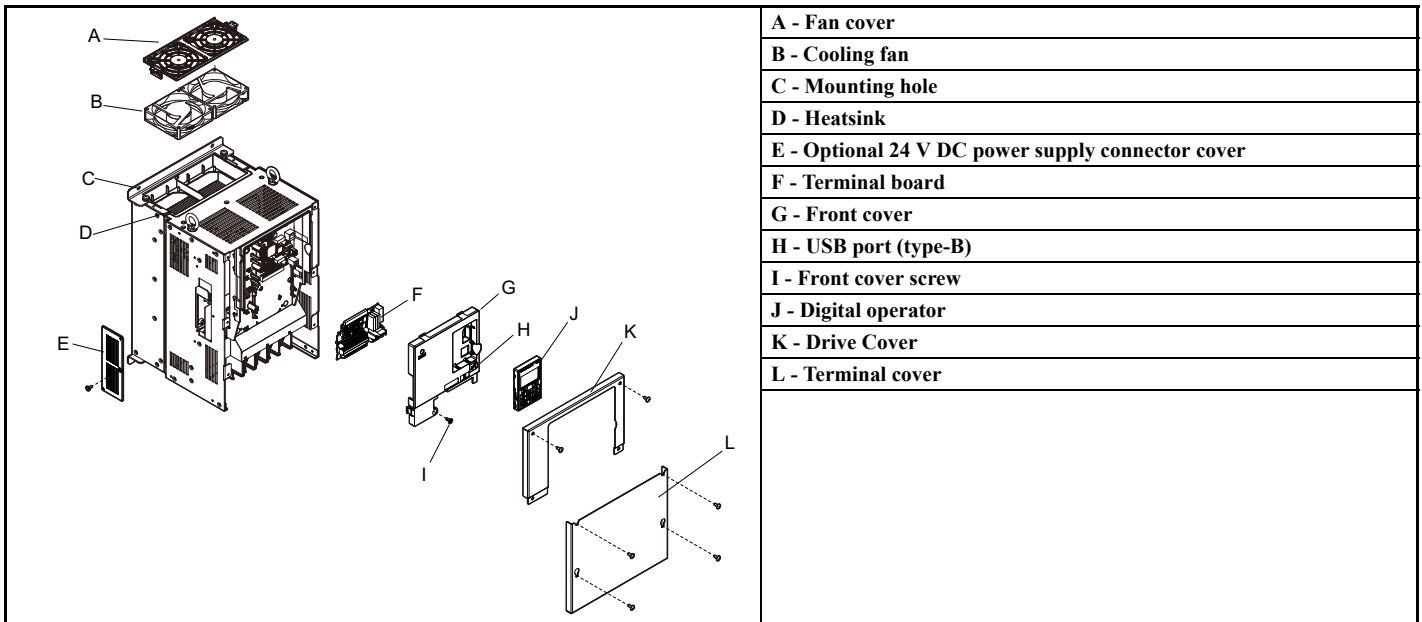


<1> The following drive models have a single cooling fan: CIMR-A□2A0021F, CIMR-A□4A0007F through 0011F. Drives CIMR-A□2A0004F through 0012F and CIMR-A□4A0002F through 0005F do not have a cooling fan or a cooling fan cover.

◆ IP00 Enclosure

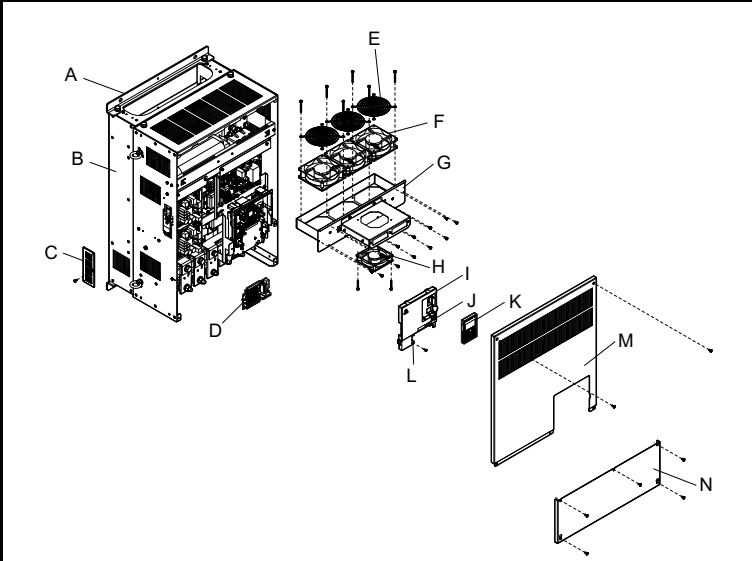
- Three-Phase AC200 V CIMR-A□2A0110A, 0138A
- Three-Phase AC400 V CIMR-A□4A0058A to 0103A

Table 1.5 Exploded View of IP00 Enclosure Components (CIMR-A□2A0110A)



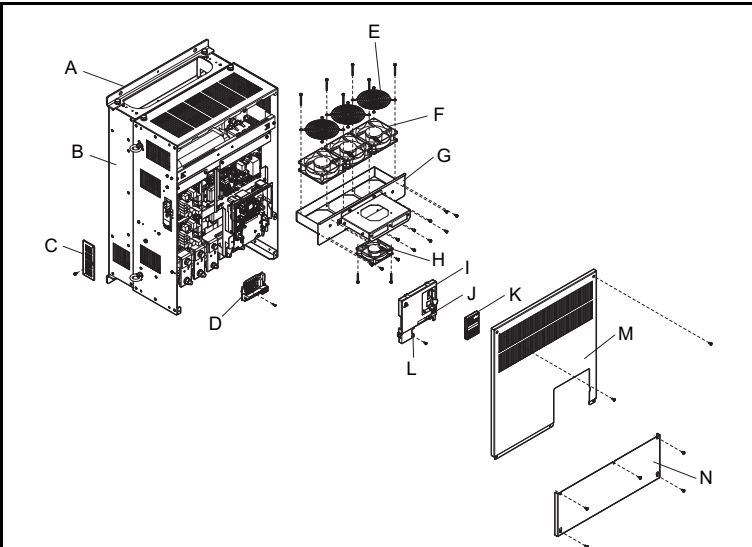
■ Three-Phase AC200 V CIMR-A□2A0169A to 0312A
 Three-Phase AC400 V CIMR-A□4A0139A to 0208A

Table 1.6 Exploded view of IP00 Enclosure Type Components (CIMR-A□4A0165A)

| | |
|--|---|
|  | A - Mounting hole |
| | B - Heatsink |
| | C - Optional 24 V DC power supply connector cover |
| | D - Terminal board |
| | E - Fan guard |
| | F - Cooling fan |
| | G - Fan unit |
| | H - Front cover |
| | I - USB port (type-B) |
| | J - Digital operator |
| | K - Front cover screw |
| | L - Drive cover |
| | M - Terminal cover |
| | |

■ Three-Phase AC200 V CIMR-A□2A0360A, 0415A
 Three-Phase AC400 V CIMR-A□4A0250A to 0362A

Table 1.7 Exploded view of IP00 Enclosure Type Components (CIMR-A□4A0362A)

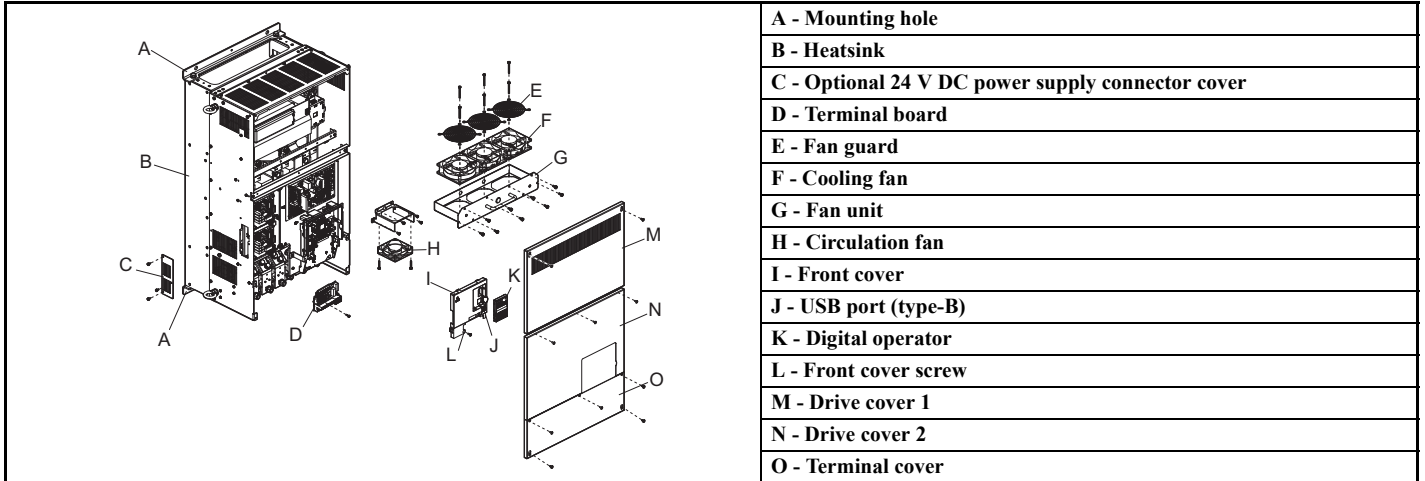
| | |
|---|---|
|  | A - Mounting hole |
| | B - Heatsink |
| | C - Optional 24 V DC power supply connector cover |
| | D - Terminal board |
| | E - Fan guard |
| | F - Cooling fan |
| | G - Fan unit |
| | H - Circulation fan <1> |
| | I - Front cover |
| | J - USB port (type-B) |
| | K - Digital operator |
| | L - Front cover screw |
| | M - Drive cover |
| | N - Terminal cover |

<1> The following drive models come with a built-in circulation fan.
 CIMR-A□2A0360, 2A0415
 CIMR-A□4A0362

1.5 Component Names

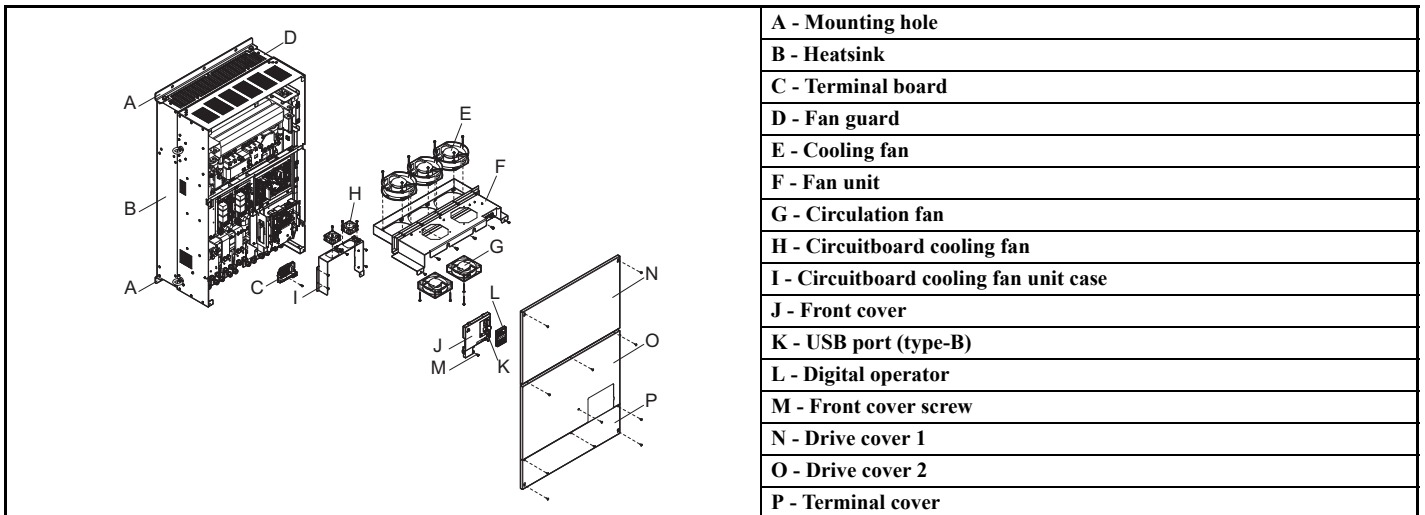
■ Three-Phase AC400 V CIMR-A□4A0414A

Table 1.8 Exploded view of IP00 Enclosure Type Components (CIMR-A□4A0414A)

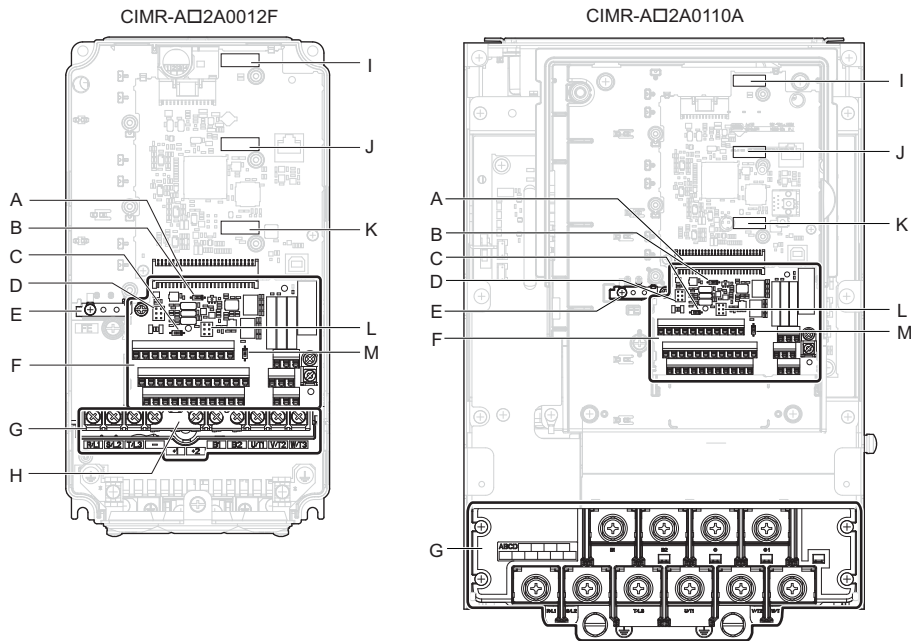


■ Three-Phase AC400 V CIMR-A□4A0515A, 0675A

Table 1.9 Exploded view of IP00 Enclosure Type Components (CIMR-A□4A0515A, 0675A)



◆ Front Views



- | | |
|---|--|
| <p>A – Terminal board connector</p> <p>B – DIP switch S1 (<i>Refer to Terminal A2 Input Signal Selection on page 79</i>)</p> <p>C – DIP switch S2 (<i>Refer to MEMOBUS/ Modbus Termination on page 80</i>)</p> <p>D – Jumper S3 (<i>Refer to Sinking/Sourcing Mode Selection for Safe Disable Inputs on page 77</i>)</p> <p>E – Ground terminal</p> <p>F – Terminal board (<i>Refer to Control Circuit Wiring on page 72</i>)</p> <p>G – Main circuit terminal (<i>Refer to Wiring the Main Circuit Terminal on page 71</i>)</p> | <p>H – Protecting cover to prevent miswiring</p> <p>I – Option card connector (CN5-C)</p> <p>J – Option card connector (CN5-B)</p> <p>K – Option card connector (CN5-A)</p> <p>L – Jumper S5 (<i>Refer to Terminal AM/FM Signal Selection on page 79</i>)</p> <p>M – DIP Switch S4 (<i>Refer to Terminal A3 Analog/PTC Input Selection on page 79</i>)</p> |
|---|--|

Figure 1.2 Front View of Drives



Mechanical Installation

This chapter explains how to properly mount and install the drive.

| | |
|--|-----------|
| 2.1 SECTION SAFETY | 38 |
| 2.2 MECHANICAL INSTALLATION | 40 |

2.1 Section Safety

WARNING

Fire Hazard

Provide sufficient cooling when installing the drive inside an enclosed panel or cabinet.

Failure to comply could result in overheating and fire.

When multiple drives are placed inside the same enclosure panel, install proper cooling to ensure air entering the enclosure does not exceed 40°C.

CAUTION

Crush Hazard

Do not carry the drive by the front cover or the terminal cover.

Failure to comply may result in minor or moderate injury from the main body of the drive falling.

NOTICE

Equipment Hazard

Prevent foreign matter such as metal shavings or wire clippings from falling into the drive during drive installation and project construction.

Failure to comply could result in damage to the drive.

Place a temporary cover over the top during installation. Be sure to remove the temporary cover before start-up, as the cover will reduce ventilation and cause the unit to overheat.

Observe proper electrostatic discharge (ESD) procedures when handling the drive.

Failure to comply could result in ESD damage to the drive circuitry.

Operating the motor in the low-speed range diminishes the cooling effects, increases motor temperature, and may lead to motor damage by overheating.

Reduce the motor torque in the low-speed range whenever using a standard blower cooled motor. If 100% torque is required continuously at low speed, consider using a special drive or vector-control motor. Select a motor that is compatible with the required load torque and operating speed range.

The speed range for continuous operation differs according to the lubrication method and motor manufacturer.

If the motor is to be operated at a speed higher than the rated speed, consult with the manufacturer.

Continuously operating an oil-lubricated motor in the low-speed range may result in burning.

When the input voltage is 440 V or higher or the wiring distance is greater than 100 meters, pay special attention to the motor insulation voltage or use a drive-rated motor with reinforced insulation.

Failure to comply could lead to motor winding failure.

Motor vibration may increase when operating a machine in variable-speed mode, if that machine previously operated at a constant speed.

Install vibration-proof rubber on the motor base or use the frequency jump function to skip a frequency resonating the machine.

The motor may require more acceleration torque with drive operation than with a commercial power supply.

Set a proper V/f pattern by checking the load torque characteristics of the machine to be used with the motor.

The rated input current of submersible motors is higher than the rated input current of standard motors.

Select an appropriate drive according to its rated output current. When the distance between the motor and drive is long, use a cable thick enough to connect the motor to the drive to prevent motor torque reduction.

NOTICE**The current rating differs for a motor with variable pole pitches differs from a standard motor.**

Check the maximum current of the motor before selecting the drive capacity. Only switch motor poles when the motor is stopped. Switching between motor during run will trigger overcurrent protection circuitry or result in overvoltage from regeneration, and the motor will simply coast to stop.

When using an explosion-proof motor, it must be subject to an explosion-proof test in conjunction with the drive.

This is also applicable when an existing explosion-proof motor is to be operated with the drive. Since the drive itself is not explosion-proof, always install it in a safe place.

Never lift the drive up while the cover is removed.

This can damage the terminal board and other components.

2.2 Mechanical Installation

This section outlines specifications, procedures, and the environment for proper mechanical installation of the drive.

◆ Installation Environment

To help prolong the optimum performance life of the drive, install the drive in an environment matching the specifications below.

Table 2.1 Installation Environment

| Environment | Conditions |
|---------------------|--|
| Installation Area | Indoors |
| Ambient Temperature | -10°C to +40°C (IP20/NEMA Type 1 enclosure) -10°C to +50°C (IP00 enclosure) Drive reliability improves in environments without wide temperature fluctuations. When using the drive in an enclosure panel, install a cooling fan or air conditioner in the area to ensure that the air temperature inside the enclosure does not exceed the specified levels. Do not allow ice to develop on the drive. |
| Humidity | 95% RH or less and free of condensation |
| Storage Temperature | -20 to +60°C |
| Surrounding Area | Install the drive in an area free from: <ul style="list-style-type: none"> • oil mist and dust • metal shavings, oil, water or other foreign materials • radioactive materials • combustible materials (e.g., wood) • harmful gases and liquids • excessive vibration • chlorides • direct sunlight |
| Altitude | 1000 m, up to 3000 m with derating (for details, refer to Altitude Derating on page 396) |
| Vibration | 10 to 20 Hz at 9.8 m/s ² 20 to 55 Hz at 5.9 m/s ² (Models CIMR-A□2A0004 to 2A0211 and 4A0002 to 4A0165) or, 2.0 m/s ² (Models CIMR-A□2A0250 to 2A0415 and 4A0208 to 4A0675) |
| Orientation | Install the drive vertically to maintain maximum cooling effects. |

NOTICE: Avoid placing drive peripheral devices, transformers, or other electronics near the drive as the noise created can lead to erroneous operation. If such devices must be used in close proximity to the drive, take proper steps to shield the drive from noise.

NOTICE: Prevent foreign matter such as metal shavings and wire clippings from falling into the drive during installation. Failure to comply could result in damage to the drive. Place a temporary cover over the top of the drive during installation. Remove the temporary cover before startup, as the cover will reduce ventilation and cause the drive to overheat.

◆ Installation Orientation and Spacing

Install the drive upright as illustrated in [Figure 2.1](#) to maintain proper cooling.

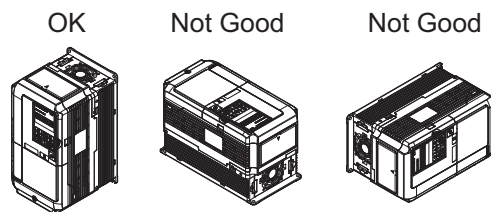


Figure 2.1 Correct Installation Orientation

■ Single Drive Installation

Figure 2.2 shows the installation distance required to maintain sufficient space for airflow and wiring.

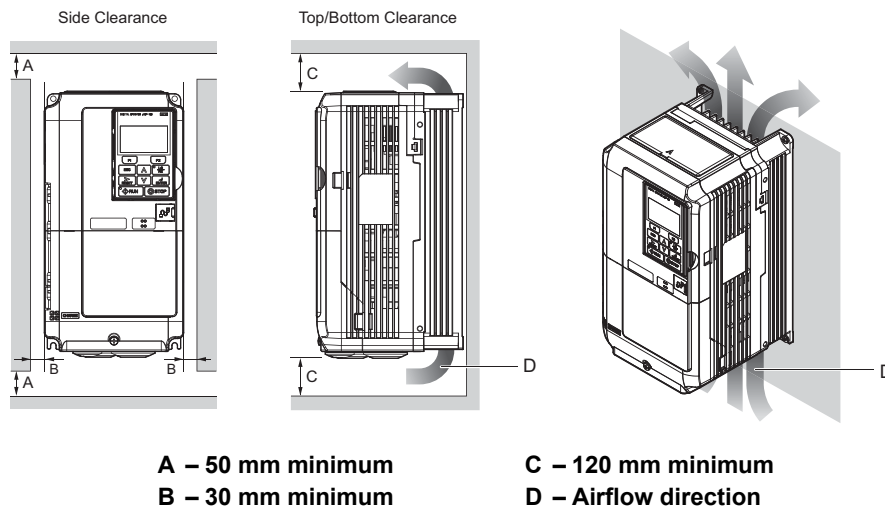


Figure 2.2 Correct Installation Spacing

Note: IP20/NEMA Type 1 enclosure and IP00 enclosure models require the same amount of space above and below the drive for installation.

■ Multiple Drive Installation (Side-by-Side Installation)

Models CIMR-A□2A0004 through 0081 and 4A0002 through 0044 can take advantage of Side-by-Side installation.

When installing multiple drives into the same enclosure panel, mount the drives according to **Figure 2.2**.

When mounting drives with the minimum clearance of 2 mm according to **Figure 2.3**, derating must be considered and parameter L8-35 must be set to 1. **Refer to Temperature Derating on page 395.**

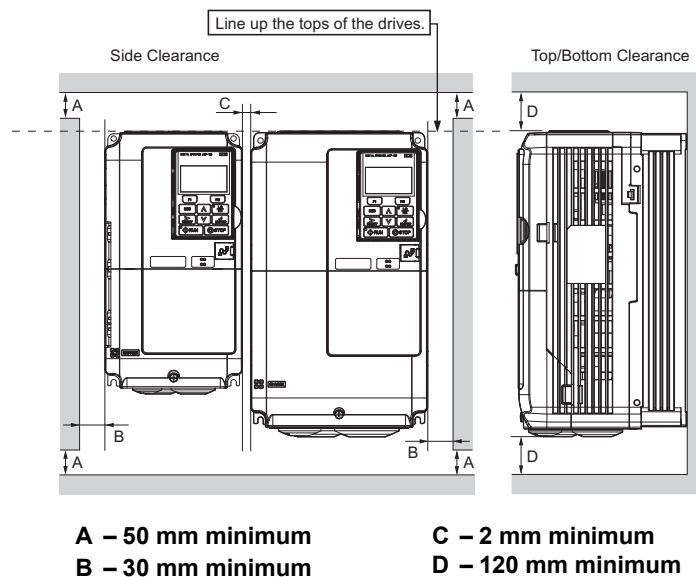


Figure 2.3 Space Between Drives (Side-by-Side Mounting)

Note: When installing drives of different heights in the same enclosure panel, the tops of the drives should line up. Leave space between the top and bottom of stacked drives for easy cooling fan replacement if required.

2.2 Mechanical Installation

When drives with IP20/NEMA Type 1 enclosures are mounted side by side, the top protective covers of all drives must be removed as shown in [Figure 2.4](#). Refer to [Top Protective Cover on page 64](#) to remove and reattach the top protective cover.

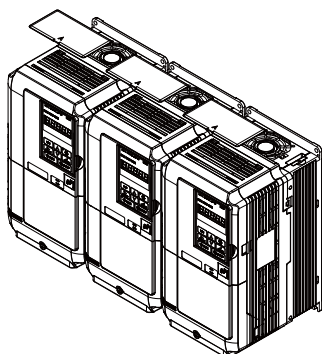


Figure 2.4 IP20/NEMA Type 1 Side-by-Side Mounting in Enclosure

◆ Digital Operator Remote Usage

■ Remote Operation

The digital operator mounted on the drive can be removed and connected to the drive using an extension cable up to 3 m long. This makes it easier to operate the drive when it is installed in a location where it can not be accessed easily.

The digital operator can also be permanently mounted in a remote location like a panel door. An extension cable and an installation support set (depending on the installation type) will be required.

Note: Refer to [Drive Options and Peripheral Devices on page 375](#) for information on extension cables and installation support sets.

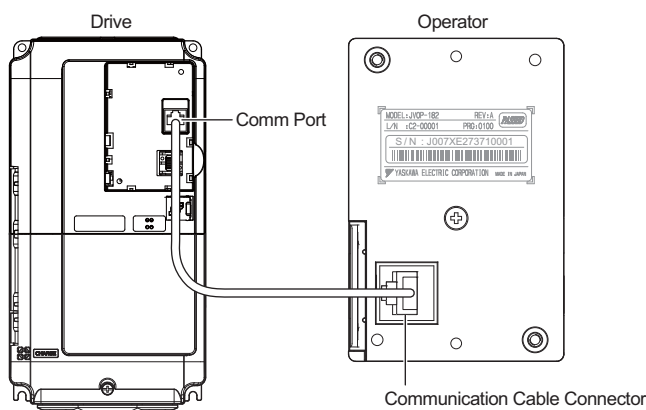


Figure 2.5 Communication Cable Connection

■ Digital Operator Remote Installation

Digital Operator Dimensions

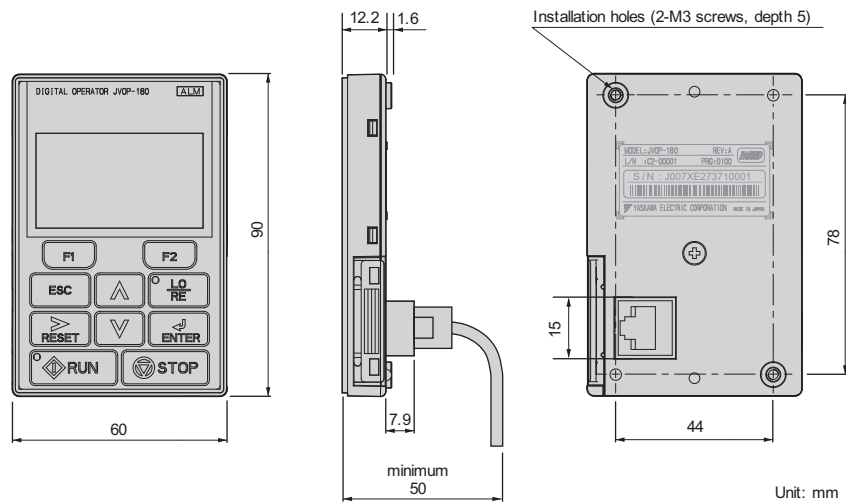


Figure 2.6 Digital Operator Dimensions

Installation Types and Required Materials

There are two ways the digital operator can be mounted to an enclosure:

1. External/face-mount installs the operator outside the enclosure panel
2. Internal/flush-mount installs the operator inside the enclosure panel

Table 2.2 Digital Operator Installation Methods and Required Tools

| Installation Method | Description | Installation Support Sets | Model | Required Tools |
|----------------------|---|---|------------|--|
| External/Face-Mount | Simplified installation with the digital operator is mounted on the outside of the panel with two screws. | - | - | Phillips screwdriver (#1) |
| Internal/Flush-Mount | Encloses the digital operator in the panel. The digital operator is flush with the outside of the panel. | Installation Support Set A (for mounting with screws through holes in the panel) | EZZ020642A | Phillips screwdriver (#1, #2) |
| | | Installation Support Set B (for use with threaded studs that are fixed to the panel) | EZZ020642B | Phillips screwdriver (#1) Wrench (7 mm) |

Note: Prevent foreign matter such as metal shavings or wire clippings from falling into the drive during installation and project construction. Failure to comply could result in damage to the drive. Place a temporary cover over the top of the drive during installation. Remove the temporary cover before startup, as the cover will reduce ventilation and cause the drive to overheat.

2.2 Mechanical Installation

External/Face-Mount

1. Cut an opening in the enclosure panel for the digital operator as shown in [Figure 2.8](#).
2. Position the digital operator so the display faces outwards, and mount it to the enclosure panel as shown in [Figure 2.7](#).

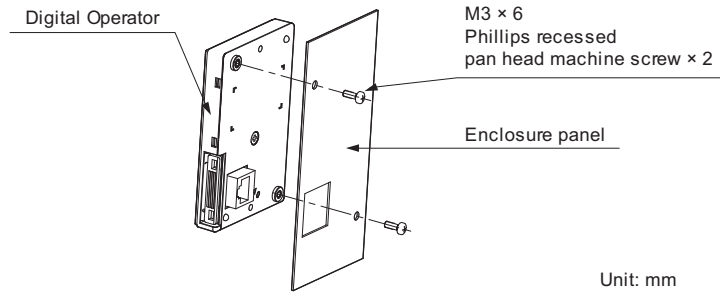


Figure 2.7 External/Face-Mount Installation

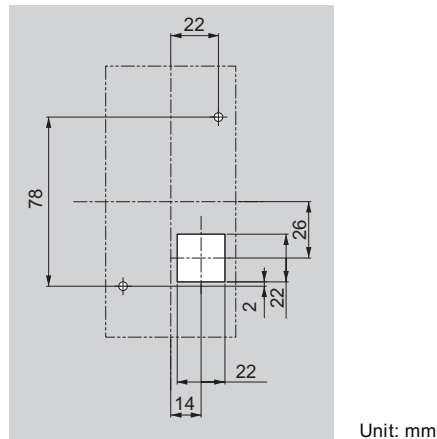


Figure 2.8 Panel Cut-Out Dimensions (External/Face-Mount Installation)

Internal/Flush-Mount

An internal flush-mount requires an installation support set that must be purchased separately. Contact your Yaskawa representative to order an installation support set and mounting hardware. [Figure 2.9](#) illustrates how to attach the Installation Support Set A.

1. Cut an opening in the enclosure panel for the digital operator as shown in [Figure 2.10](#).
2. Mount the digital operator to the installation support.
3. Mount the installation support set and digital operator to the enclosure panel.

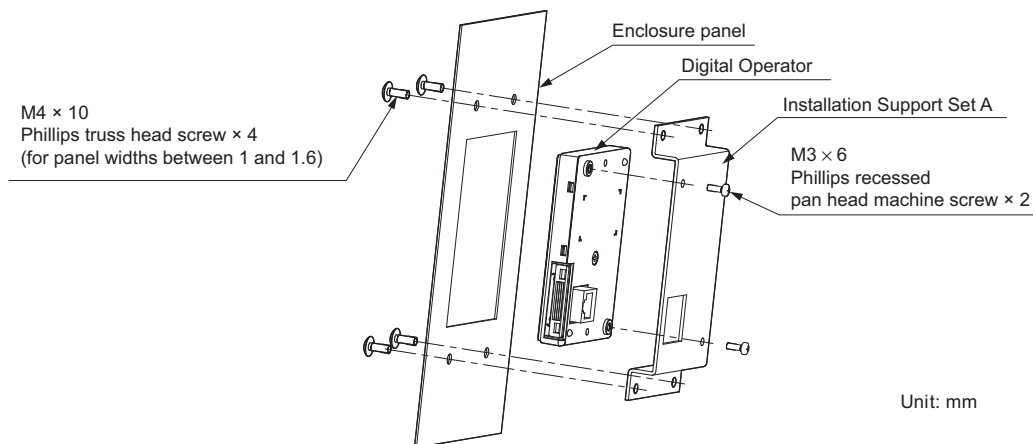


Figure 2.9 Internal/Flush Mount Installation

Note: For environments with a significant amount of dust or other airborne debris, use a gasket between the enclosure panel and the digital operator.

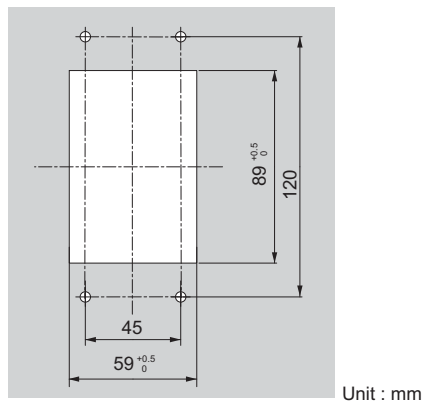


Figure 2.10 Panel Cut-Out Dimensions (Internal/Flush-Mount Installation)

◆ Exterior and Mounting Dimensions

Table 2.3 Drive Models and Types

| Protective Design | Drive Model CIMR-A□ | | Page |
|----------------------------|--|---|------|
| | Three-Phase 200 V Class | Three-Phase 400 V Class | |
| IP20/NEMA Type 1 Enclosure | 2A0004F 2A0006F 2A0010F 2A0012F 2A0021F 2A0030F 2A0040F 2A0056F 2A0069F 2A0081F | 4A0002F 4A0004F 4A0005F 4A0007F 4A0009F 4A0011F 4A0018F 4A0023F 4A0031F 4A0038F 4A0044F | 47 |
| IP00 Enclosure | 2A0110A 2A0138A 2A0169A 2A0211A 2A0250A 2A0312A 2A0360A 2A0415A | 4A0058A 4A0072A 4A0088A 4A0103A 4A0139A 4A0165A 4A0208A 4A0250A 4A0296A 4A0362A 4A0414A 4A0515A 4A0675A | 48 |

■ IP20/NEMA Type 1 Enclosure Drives

Note: IP20/NEMA Type 1 enclosure drives are equipped with a top cover. Removing this cover voids NEMA Type 1 protection but still keeps IP20 conformity.

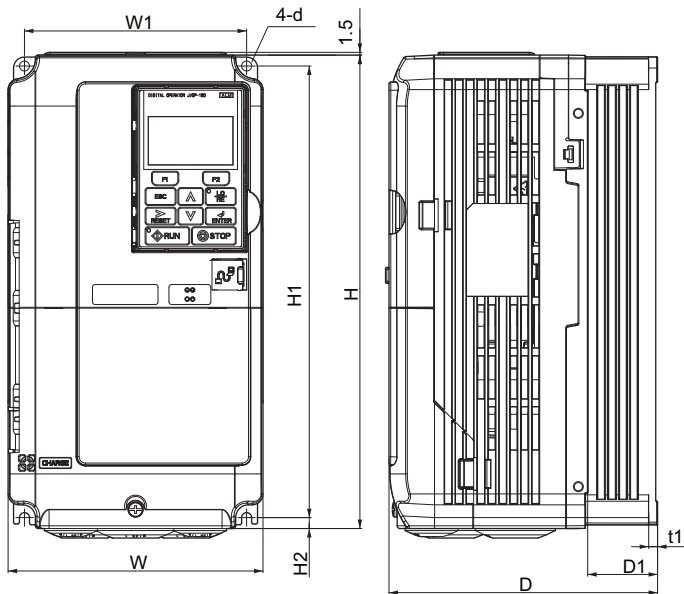


Figure 1

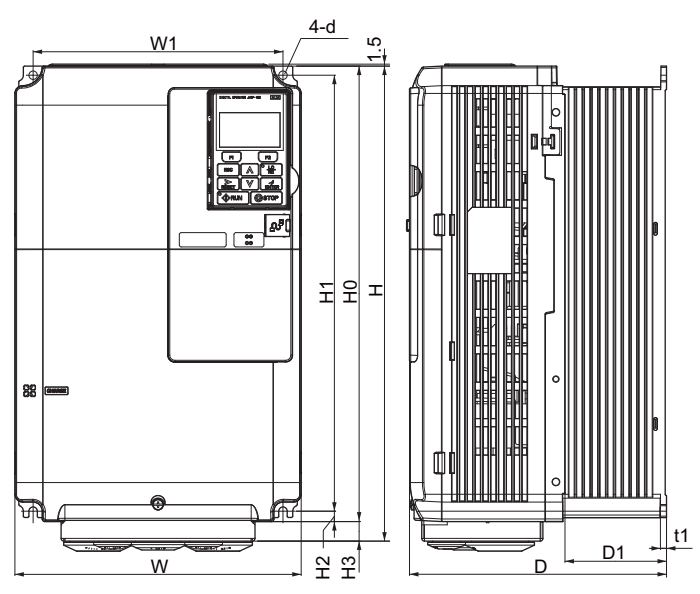


Figure 2

Table 2.4 Dimensions for IP20/NEMA Type 1 Enclosure: 200 V Class

| Drive Model CIMR-A□2A | Dimensions (mm) | | | | | | | | | | | | | Weight (kg) |
|--------------------------|-----------------|-----|-----|-----|-----|-----|-----|----|----|----|----|----|----|----------------|
| | Figure | W | H | D | W1 | H0 | H1 | H2 | H3 | D1 | t1 | t2 | d | |
| 0004 | 1 | 140 | 260 | 147 | 122 | — | 248 | 6 | — | 38 | 5 | — | M5 | 3.1 |
| 0006 | | 140 | 260 | 147 | 122 | — | 248 | 6 | — | 38 | 5 | — | M5 | 3.1 |
| 0010 | | 140 | 260 | 147 | 122 | — | 248 | 6 | — | 38 | 5 | — | M5 | 3.2 |
| 0012 | | 140 | 260 | 147 | 122 | — | 248 | 6 | — | 38 | 5 | — | M5 | 3.2 |
| 0021 | | 140 | 260 | 164 | 122 | — | 248 | 6 | — | 55 | 5 | — | M5 | 3.5 |
| 0030 | | 140 | 260 | 167 | 122 | — | 248 | 6 | — | 55 | 5 | — | M5 | 4.0 |
| 0040 | | 140 | 260 | 167 | 122 | — | 248 | 6 | — | 55 | 5 | — | M5 | 4.0 |
| 0056 | | 180 | 300 | 187 | 160 | — | 284 | 8 | — | 75 | 5 | — | M5 | 5.6 |
| 0069 | | 220 | 350 | 197 | 192 | — | 335 | 8 | — | 78 | 5 | — | M6 | 8.7 |
| 0081 | 2 | 220 | 365 | 197 | 192 | 350 | 335 | 8 | 15 | 78 | 5 | — | M6 | 9.7 |

Table 2.5 Dimensions for IP20/NEMA Type 1 Enclosure: 400 V Class

| Drive Model CIMR-A□4A | Dimensions (mm) | | | | | | | | | | | | | Weight (kg) |
|--------------------------|-----------------|-----|-----|-----|-----|----|-----|----|----|----|----|----|----|----------------|
| | Figure | W | H | D | W1 | H0 | H1 | H2 | H3 | D1 | t1 | t2 | d | |
| 0002 | 1 | 140 | 260 | 147 | 122 | — | 248 | 6 | — | 38 | 5 | — | M5 | 3.2 |
| 0004 | | 140 | 260 | 147 | 122 | — | 248 | 6 | — | 38 | 5 | — | M5 | 3.2 |
| 0005 | | 140 | 260 | 147 | 122 | — | 248 | 6 | — | 38 | 5 | — | M5 | 3.2 |
| 0007 | | 140 | 260 | 164 | 122 | — | 248 | 6 | — | 55 | 5 | — | M5 | 3.4 |
| 0009 | | 140 | 260 | 164 | 122 | — | 248 | 6 | — | 55 | 5 | — | M5 | 3.5 |
| 0011 | | 140 | 260 | 164 | 122 | — | 248 | 6 | — | 55 | 5 | — | M5 | 3.5 |
| 0018 | | 140 | 260 | 167 | 122 | — | 248 | 6 | — | 55 | 5 | — | M5 | 3.9 |
| 0023 | | 140 | 260 | 167 | 122 | — | 248 | 6 | — | 55 | 5 | — | M5 | 3.9 |
| 0031 | | 180 | 300 | 167 | 160 | — | 284 | 8 | — | 55 | 5 | — | M5 | 5.4 |
| 0038 | | 180 | 300 | 187 | 160 | — | 284 | 8 | — | 75 | 5 | — | M5 | 5.7 |
| 0044 | | 220 | 350 | 197 | 192 | — | 335 | 8 | — | 78 | 5 | — | M6 | 8.3 |

Mechanical Installation

2

■ IP00 Enclosure Drives

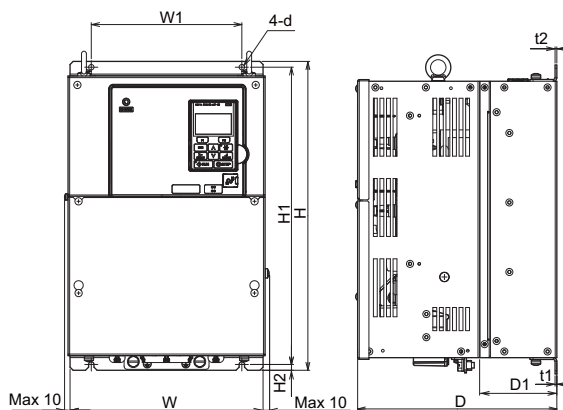


Figure 1

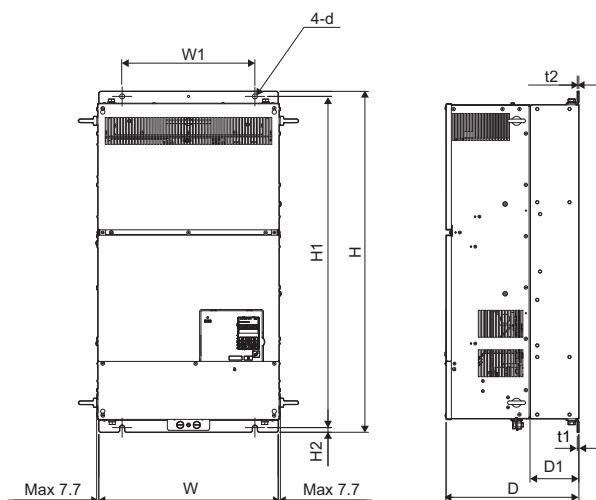


Figure 2

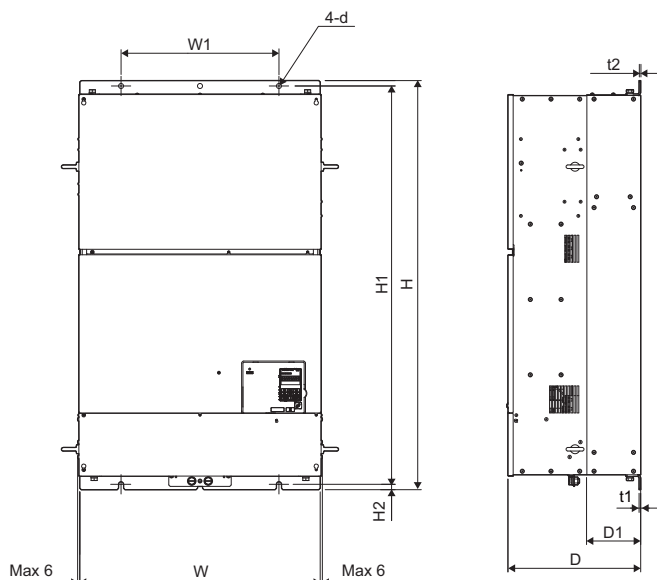


Figure 3

Table 2.6 Dimensions for IP00 Enclosure: 200 V Class

| Drive Model CIMR-A□2A | Dimensions (mm) | | | | | | | | | | | Weight (kg) |
|--------------------------|-----------------|-----|-----|-----|-----|-----|------|-----|-----|-----|-----|----------------|
| | Figure | W | H | D | W1 | H1 | H2 | D1 | t1 | t2 | d | |
| 0110 | 1 | 250 | 400 | 258 | 195 | 385 | 7.5 | 100 | 2.3 | 2.3 | M6 | 21 |
| 0138 | | 275 | 450 | 258 | 220 | 435 | 7.5 | 100 | 2.3 | 2.3 | M6 | 25 |
| 0169 | | 325 | 550 | 283 | 260 | 535 | 7.5 | 110 | 2.3 | 2.3 | M6 | 37 |
| 0211 | | 325 | 550 | 283 | 260 | 535 | 7.5 | 110 | 2.3 | 2.3 | M6 | 38 |
| 0250 | | 450 | 705 | 330 | 325 | 680 | 12.5 | 130 | 3.2 | 3.2 | M10 | 76 |
| 0312 | | 450 | 705 | 330 | 325 | 680 | 12.5 | 130 | 3.2 | 3.2 | M10 | 80 |
| 0360 | | 500 | 800 | 350 | 370 | 773 | 13 | 130 | 4.5 | 4.5 | M12 | 98 |
| 0415 | | 500 | 800 | 350 | 370 | 773 | 13 | 130 | 4.5 | 4.5 | M12 | 99 |

Table 2.7 Dimensions for IP00 Enclosure: 400 V Class

| Drive Model CIMR-A□4A | Dimensions (mm) | | | | | | | | | | | Weight (kg) |
|--------------------------|-----------------|-----|------|-----|-----|------|------|-----|-----|-----|-----|----------------|
| | Figure | W | H | D | W1 | H1 | H2 | D1 | t1 | t2 | d | |
| 0058 | 1 | 250 | 400 | 258 | 195 | 385 | 7.5 | 100 | 2.3 | 2.3 | M6 | 21 |
| 0072 | | 275 | 450 | 258 | 220 | 435 | 7.5 | 100 | 2.3 | 2.3 | M6 | 25 |
| 0088 | | 325 | 510 | 258 | 260 | 495 | 7.5 | 105 | 2.3 | 3.2 | M6 | 36 |
| 0103 | | 325 | 510 | 258 | 260 | 495 | 7.5 | 105 | 2.3 | 3.2 | M6 | 36 |
| 0139 | | 325 | 550 | 283 | 260 | 535 | 7.5 | 110 | 2.3 | 2.3 | M6 | 41 |
| 0165 | | 325 | 550 | 283 | 260 | 535 | 7.5 | 110 | 2.3 | 2.3 | M6 | 42 |
| 0208 | | 450 | 705 | 330 | 325 | 680 | 12.5 | 130 | 3.2 | 3.2 | M10 | 79 |
| 0250 | | 500 | 800 | 350 | 370 | 773 | 13 | 130 | 4.5 | 4.5 | M12 | 96 |
| 0296 | | 500 | 800 | 350 | 370 | 773 | 13 | 130 | 4.5 | 4.5 | M12 | 102 |
| 0362 | | 500 | 800 | 350 | 370 | 773 | 13 | 130 | 4.5 | 4.5 | M12 | 107 |
| 0414 | 2 | 500 | 950 | 370 | 370 | 923 | 13 | 135 | 4.5 | 4.5 | M12 | 125 |
| 0515 | 3 | 670 | 1140 | 370 | 440 | 1110 | 15 | 150 | 4.5 | 4.5 | M12 | 216 |
| 0675 | | 670 | 1140 | 370 | 440 | 1110 | 15 | 150 | 4.5 | 4.5 | M12 | 221 |



Electrical Installation

This chapter explains proper procedures for wiring the control circuit terminals, motor, and power supply.

| | |
|---|-----------|
| 3.1 SECTION SAFETY | 52 |
| 3.2 STANDARD CONNECTION DIAGRAM | 54 |
| 3.3 MAIN CIRCUIT CONNECTION DIAGRAM | 56 |
| 3.4 TERMINAL BLOCK CONFIGURATION | 57 |
| 3.5 TERMINAL COVER | 59 |
| 3.6 DIGITAL OPERATOR AND FRONT COVER | 61 |
| 3.7 TOP PROTECTIVE COVER | 64 |
| 3.8 MAIN CIRCUIT WIRING | 65 |
| 3.9 CONTROL CIRCUIT WIRING | 72 |
| 3.10 CONTROL I/O CONNECTIONS | 77 |
| 3.11 CONNECT TO A PC | 81 |
| 3.12 EXTERNAL INTERLOCK | 82 |
| 3.13 WIRING CHECKLIST | 83 |

3.1 Section Safety

DANGER

Electrical Shock Hazard

Do not connect or disconnect wiring while the power is on.

Failure to comply will result in death or serious injury.

WARNING

Electrical Shock Hazard

Do not operate equipment with covers removed.

Failure to comply could result in death or serious injury.

The diagrams in this section may show drives without covers or safety shields to show details. Be sure to reinstall covers or shields before operating the drives and run the drives according to the instructions described in this manual.

Always ground the motor-side grounding terminal.

Improper equipment grounding could result in death or serious injury by contacting the motor case.

Do not perform work on the drive while wearing loose clothing, jewelry or without eye protection.

Failure to comply could result in death or serious injury.

Remove all metal objects such as watches and rings, secure loose clothing, and wear eye protection before beginning work on the drive.

Do not remove covers or touch circuit boards while the power is on.

Failure to comply could result in death or serious injury.

Do not allow unqualified personnel to perform work on the drive.

Failure to comply could result in death or serious injury.

Installation, maintenance, inspection, and servicing must be performed only by authorized personnel familiar with installation, adjustment, and maintenance of AC drives.

Do not touch any terminals before the capacitors have fully discharged.

Failure to comply could result in death or serious injury.

Before wiring terminals, disconnect all power to the equipment. The internal capacitor remains charged even after the power supply is turned off. After shutting off the power, wait for at least the amount of time specified on the drive before touching any components.

Fire Hazard

Tighten all terminal screws to the specified tightening torque.

Loose electrical connections could result in death or serious injury by fire due to overheating of electrical connections.

Do not use improper combustible materials.

Failure to comply could result in death or serious injury by fire.

Do not install the drive to a combustible surface. Never place combustible materials on the drive.

Do not use an improper voltage source.

Failure to comply could result in death or serious injury by fire.

Verify that the rated voltage of the drive matches the voltage of the incoming power supply before applying power.

When installing dynamic braking options, perform all wiring exactly as specified in the wiring diagrams provided.

Failure to do so can result in fire. Improper wiring may damage braking components.

⚠ CAUTION

Do not carry the drive by the front cover or the terminal cover.

Failure to comply may cause the main body of the drive to fall, resulting in minor or moderate injury.

NOTICE

Observe proper electrostatic discharge procedures (ESD) when handling the drive and circuit boards.

Failure to comply may result in ESD damage to the drive circuitry.

Never connect or disconnect the motor from the drive while the drive is outputting voltage.

Improper equipment sequencing could result in damage to the drive.

Do not use unshielded cable for control wiring.

Failure to comply may cause electrical interference resulting in poor system performance. Use shielded, twisted-pair wires and ground the shield to the ground terminal of the drive.

Do not allow unqualified personnel to use the product.

Failure to comply could result in damage to the drive or braking circuit.

Carefully review instruction manual TOBPC72060000 when connecting a dynamic braking option to the drive.

Do not modify the drive circuitry.

Failure to comply could result in damage to the drive and will void warranty.

Yaskawa is not responsible for any modification of the product made by the user. This product must not be modified.

Check all the wiring to ensure that all connections are correct after installing the drive and connecting any other devices.

Failure to comply could result in damage to the drive.

3.2 Standard Connection Diagram

Connect the drive and peripheral devices as shown in **Figure 3.1**. It is possible to set and run the drive via the digital operator without connecting digital I/O wiring. This section does not discuss drive operation; **Refer to Start-Up Programming & Operation on page 85** for instructions on operating the drive.

NOTICE: Inadequate wiring could result in damage to the drive. Install adequate branch circuit short circuit protection per applicable codes. The drive is suitable for circuits capable of delivering not more than 100,000 RMS symmetrical amperes, 240 Vac maximum (200 V Class) and 480 Vac maximum (400 V Class).

NOTICE: When the input voltage is 440 V or higher or the wiring distance is greater than 100 meters, pay special attention to the motor insulation voltage or use a drive duty motor. Failure to comply could lead to motor insulation breakdown.

NOTICE: Do not connect AC control circuit ground to drive enclosure. Improper drive grounding can cause control circuit malfunction.

NOTICE: The minimum load for the relay outputs M1-M2, M3-M4, M5-M6, and MA-MB-MC is 10 mA.

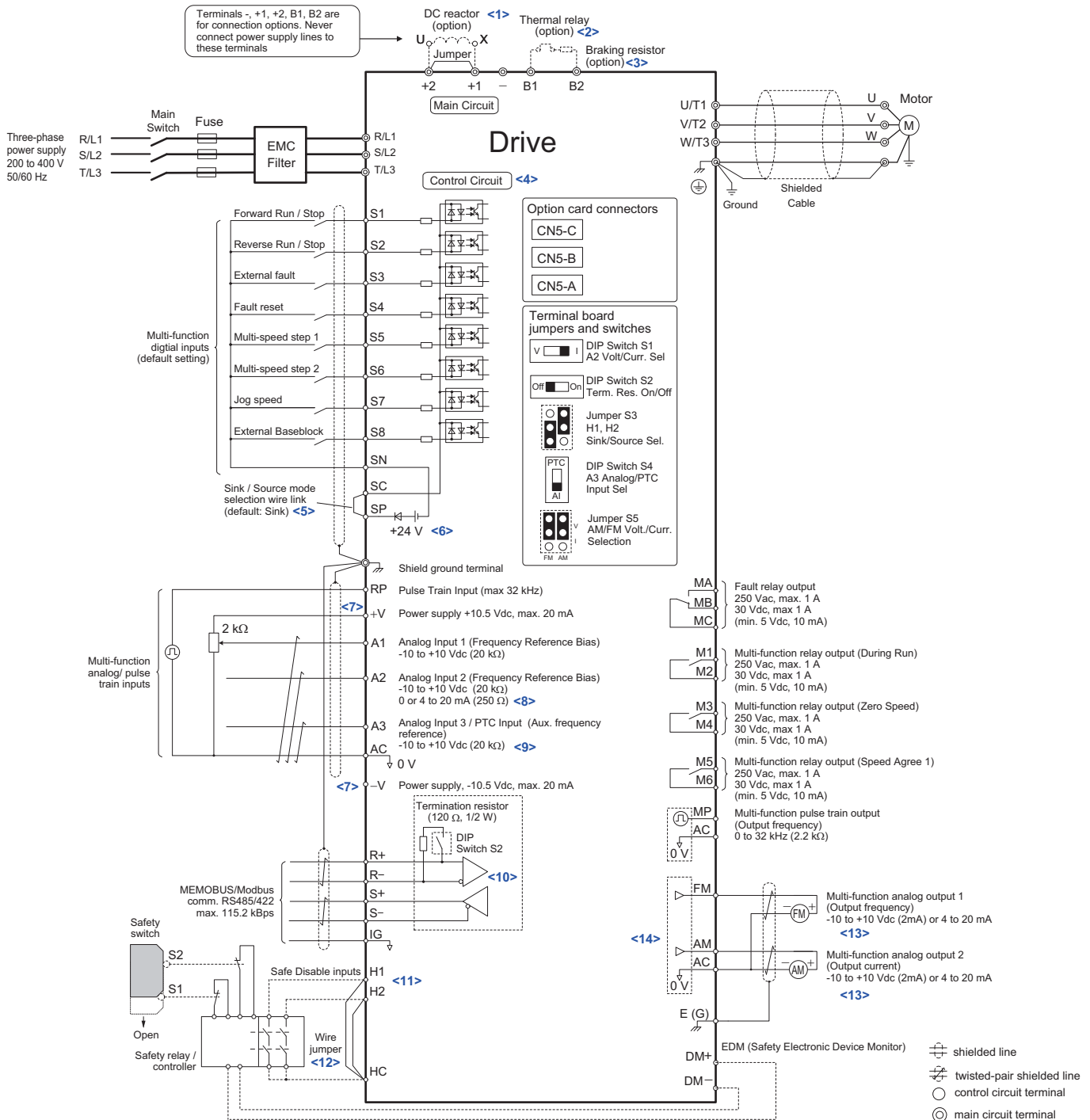


Figure 3.1 Drive Standard Connection Diagram (example: CIMR-A□2A0040)

- <1> Remove the jumper when installing a DC reactor. Models CIMR-A□2A0110 through 2A0415 and 4A0058 through 4A0675 come with a built-in DC reactor.
- <2> When installing a dynamic braking option, a thermal relay sequence should also be set up to shut off power to the drive in case overheat occurs.
- <3> The drive's protection function for the internal braking transistor needs to be disabled (L8-55 = 0) if using a regen unit such as a regen converter or some type of dynamic braking options (and therefore not the internal braking transistor). If left enabled, a braking resistor fault (rF) may result. Make sure Stall Prevention is disabled (L3-04 = 0) whenever using a regenerative converter, a regenerative unit or a dynamic braking option. If left enabled, the drive may not stop within the specified deceleration time.
- <4> Supplying power to the control circuit separately from the main circuit requires a 24 V power supply (option).
- <5> This figure shows an example of a sequence input to S1 through S8 using a non-powered relay or an NPN transistor. Install the wire link between terminals SC-SP for Sink mode and SC-SN for Source mode. Leave it out for external power supply. Never short terminals SP and SN as doing so will damage the drive.
- <6> The maximum current supplied by this voltage source is 150 mA if no digital input option card DI-A3 is used.
- <7> The maximum output current capacity for the +V and -V terminals on the control circuit is 20 mA. Never short terminals +V, -V, and AC, as this can cause erroneous operation or damage the drive.
- <8> Set DIP switch S1 to select between a voltage or current input signal to terminal A2. The default setting is for current input.
- <9> Set DIP switch S4 to select between analog or PTC input for terminal A3.
- <10> Enable the termination resistor in the last drive in a MEMOBUS network by setting DIP switch S2 to the ON position.
- <11> Use jumper S3 to select between Sink mode, Source mode or external power supply for the Safe Disable inputs.
- <12> Disconnect the wire jumper between H1 - HC and H2 - HC when utilizing the Safe Disable input.
- <13> Monitor outputs work with devices such as analog frequency meters, ammeters, voltmeters, and wattmeters. They are not intended for use as a feedback-type of signal.
- <14> Use jumper S5 to selection between voltage or current output signals at terminal AM and FM. Set parameters H4-07 and H4-08 accordingly.

WARNING! *Sudden Movement Hazard. Do not close the wiring for the control circuit unless the multifunction input terminal parameters are properly set. Improper sequencing of run/stop circuitry could result in death or serious injury from moving equipment.*

WARNING! *Sudden Movement Hazard. Ensure start/stop and safety circuits are wired properly and in the correct state before energizing the drive. Failure to comply could result in death or serious injury from moving equipment. When programmed for 3-Wire control, a momentary closure on terminal S1 may cause the drive to start.*

WARNING! *When 3-Wire sequence is used, set the drive to 3-Wire sequence before wiring the control terminals and ensure parameter b1-17 is set to 0 (drive does not accept a run command at power up (default)). If the drive is wired for 3-Wire sequence but set up for 2-Wire sequence (default) and if parameter b1-17 is set to 1 (drive accepts a Run command at power up), the motor will rotate in reverse direction at power up of the drive and may cause injury.*

WARNING! *When the application preset function is executed (or A1-06 is set to any value other than 0) the drive I/O terminal functions change. This may cause unexpected operation and potential damage to equipment or injury.*

WARNING! *When using the automatic fault restart function while the wiring is made to shut off the power supply when a drive fault occurs, make sure the drive is set not to trigger a fault output during fault restart (L5-02=0, default). Otherwise the fault restart function can not work properly.*

3.3 Main Circuit Connection Diagram

Refer to diagrams in this section when wiring the drive's main circuit. Connections may vary based on drive capacity. The DC power supply for the main circuit also provides power to the control circuit.

NOTICE: Do not use the negative DC bus terminal “-” as a ground terminal. This terminal is at high DC voltage potential. Improper wiring connections could damage the drive.

◆ Three-Phase 200 V Class (CIMR-A□2A0004 to 0081) Three-Phase 400 V Class (CIMR-A□4A0002 to 0044)

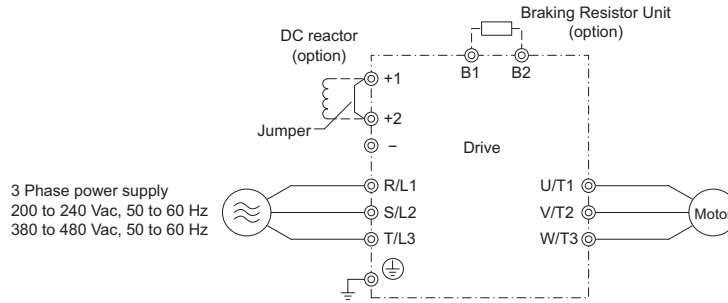


Figure 3.2 Connecting Main Circuit Terminals

◆ Three-Phase 200 V Class (CIMR-A□2A0110, 0138) Three-Phase 400 V Class (CIMR-A□4A0058, 0072)

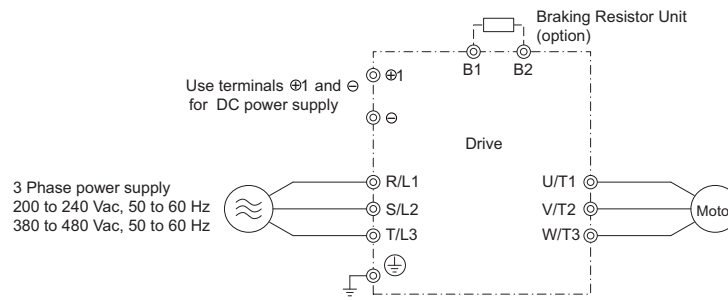


Figure 3.3 Connecting Main Circuit Terminals

◆ Three-Phase 200 V Class (CIMR-A□2A0169 to 0415) Three-Phase 400 V Class (CIMR-A□4A0088 to 0675)

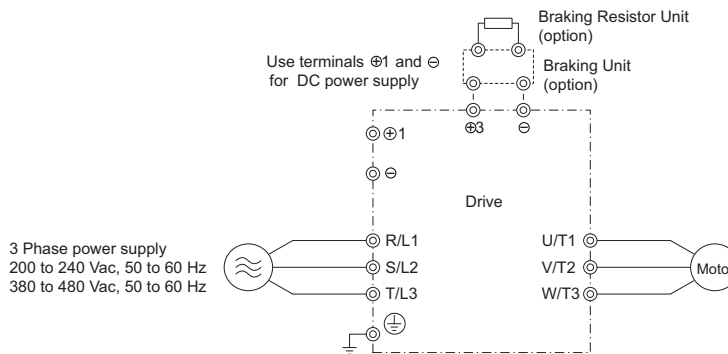
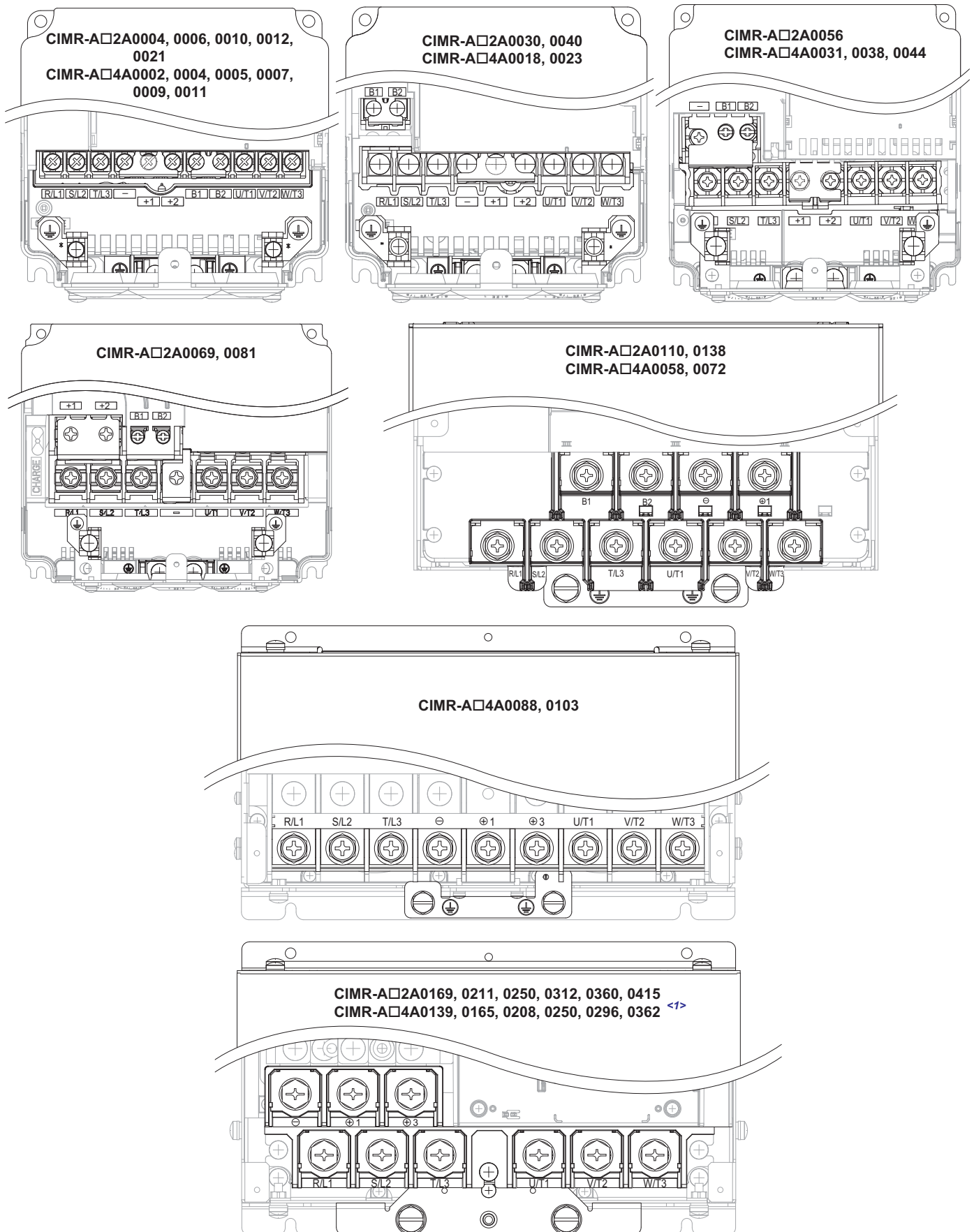


Figure 3.4 Connecting Main Circuit Terminals

3.4 Terminal Block Configuration

Figure 3.5 shows the different main circuit terminal arrangements for the drive capacities.



3.4 Terminal Block Configuration

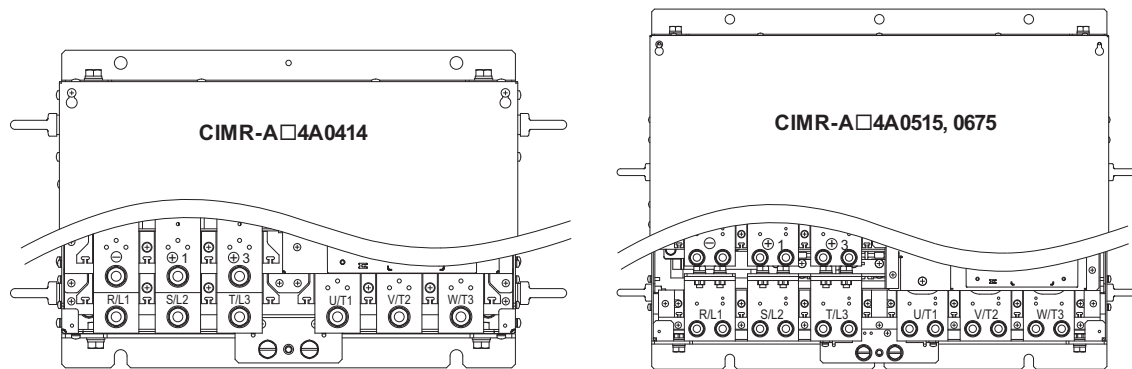


Figure 3.5 Main Circuit Terminal Block Configuration

<1> Terminal board design differs slightly for models CIMR-A□2A0250 through 2A0415 and 4A0208 through 4A0362.

3.5 Terminal Cover

Follow the procedure below to remove the terminal cover for wiring and to reattach the terminal cover after wiring is complete.

◆ CIMR-A□2A0004 to 0081, 4A0002 to 0044 (IP20/NEMA Type 1 Enclosure)

■ Removing the Terminal Cover

1. Loosen the terminal cover screw.

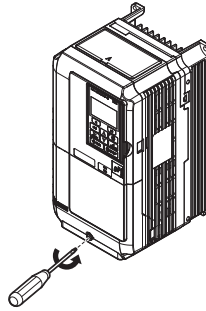


Figure 3.6 Removing the Terminal Cover on an IP20/NEMA Type 1 Enclosure Drive

2. Push in on the hook located on the bottom of the terminal cover, and gently pull forward. This should remove the terminal cover.

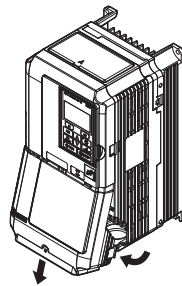


Figure 3.7 Removing the Terminal Cover on an IP20/NEMA Type 1 Enclosure Drive

■ Reattaching the Terminal Cover

Power lines and signal wiring should pass through the opening provided. *Refer to Wiring the Main Circuit Terminal on page 71 and Wiring the Control Circuit Terminal on page 74* for details on wiring.

After all wiring to the drive and other devices is complete, reattach the terminal cover.

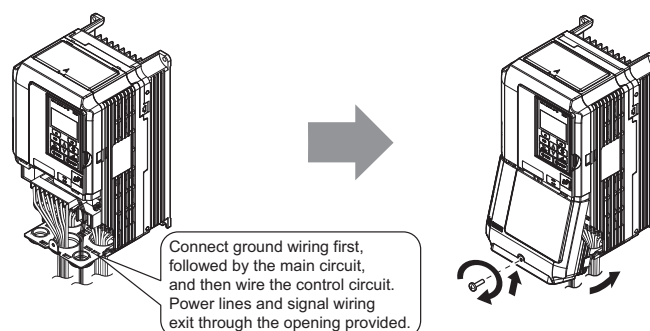


Figure 3.8 Reattaching the Terminal Cover on an IP20/NEMA Type 1 Enclosure Drive

◆ CIMR-A□2A0110 to 0415, 4A0058 to 0675 (IP00 Enclosure)

■ Removing the Terminal Cover

1. Loosen the screws <1> on the terminal cover, then pull down on the cover.

CAUTION! Do not completely remove the cover screws, just loosen them. If the cover screws are removed completely, the terminal cover may fall off causing an injury.

<1> The following drives have three screws on the top of terminal cover.
-CIMR-A□2A0250 to 2A0415
-CIMR-A□4A0208 to 4A0675

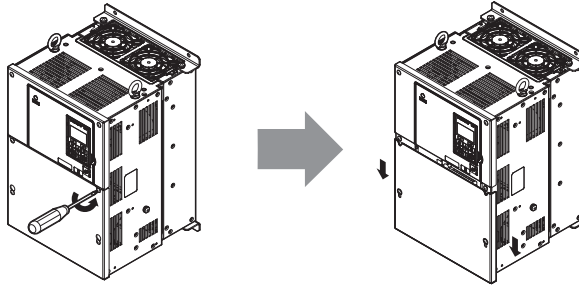


Figure 3.9 Removing the Terminal Cover on an IP00 Enclosure Drive

2. Pull forward on the terminal cover to free it from the drive.

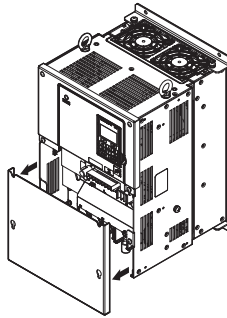


Figure 3.10 Removing the Terminal Cover on an IP00 Enclosure Drive

■ Reattaching the Terminal Cover

Once wiring to the terminal board and other devices is complete, double check all connections and finally reattach the terminal cover. *Refer to Wiring the Main Circuit Terminal on page 71 and Wiring the Control Circuit Terminal on page 74 for details on wiring.*

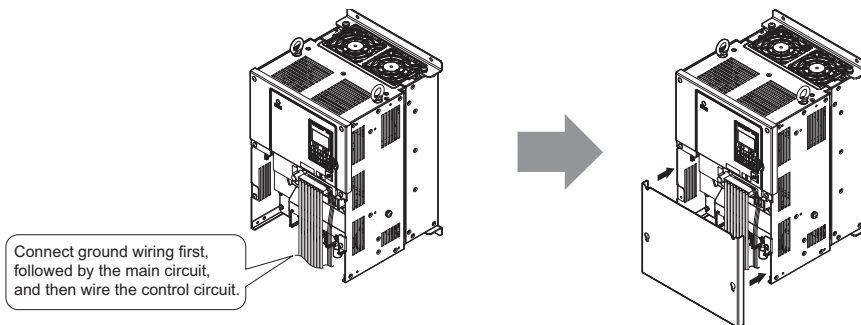


Figure 3.11 Reattaching the Terminal Cover on an IP00 Enclosure Drive

3.6 Digital Operator and Front Cover

The digital operator can be detached from the drive for remote operation, or when the front cover has to be opened to install an option card.

NOTICE: Be sure the digital operator has been removed prior to opening the front cover or reattaching it. Leaving the digital operator plugged into the drive when removing the front cover can result in erroneous operation caused by a poor connection. Before reattaching the operator make sure the front cover has been firmly fastened back into place.

◆ Removing/Reattaching the Digital Operator

■ Removing the Digital Operator

While pinching inwards on the hook located on the right side of the digital operator, pull forward and remove the operator from the drive.

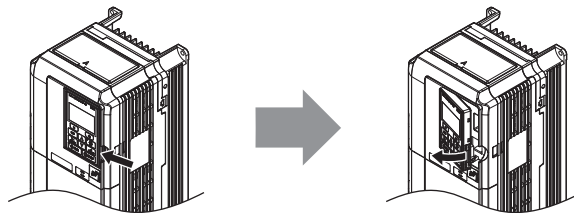


Figure 3.12 Removing the Digital Operator

■ Reattaching the Digital Operator

Insert the digital operator into the opening in the front cover while aligning it with the notches on the left side of the opening. Next press gently on the right side of the operator until it clicks into place.

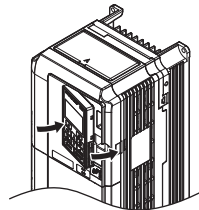


Figure 3.13 Reattaching the Digital Operator

◆ Removing/Reattaching the Front Cover

■ Removing the Front Cover

2A0004 to 2A0081 and 4A0002 to 4A0044

After removing the terminal cover and the digital operator, loosen the screw that affixes the front cover (model CIMR-A□2A0056, 4A0031, 4A0038 do not use a screw to affix the front cover). Pinch inwards on hooks found on each side of the front cover, then pull forward to remove it from the drive.

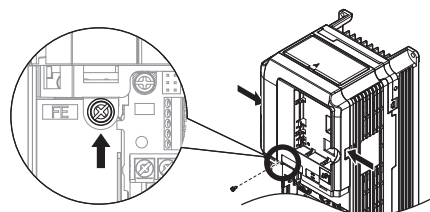


Figure 3.14 Remove the Front Cover (2A0004 to 2A0081 and 4A0002 to 4A0044)

3.6 Digital Operator and Front Cover

2A0110 to 2A0415 and 4A0058 to 4A0675

1. Remove the terminal cover and the digital operator.
2. Loosen the installation screw on the front cover.
3. Use a straight-edge screwdriver to loosen the hooks on each side of the cover that hold it in place.

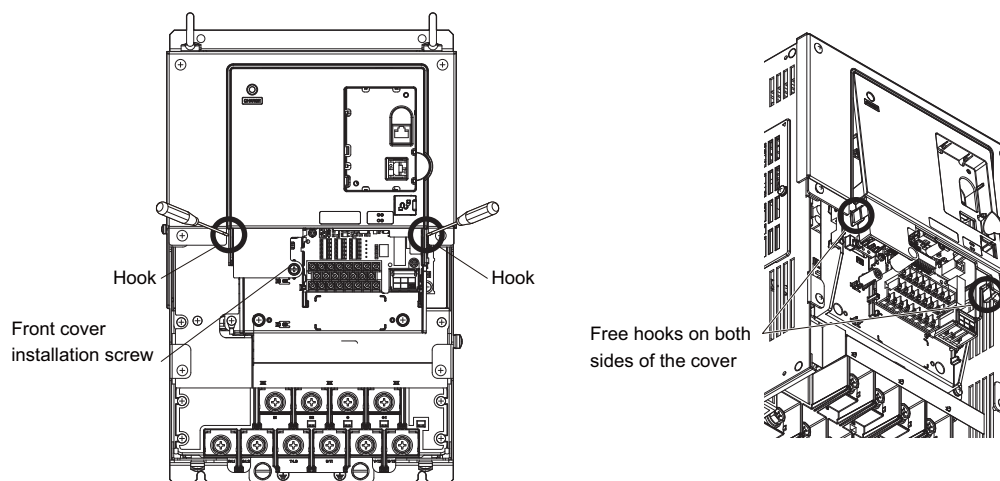


Figure 3.15 Remove the Front Cover (2A0110 to 2A0415 and 4A0058 to 4A0675)

4. First unhook the left side of the front cover, then swing the left side towards you as shown in the figure below until the cover comes off.

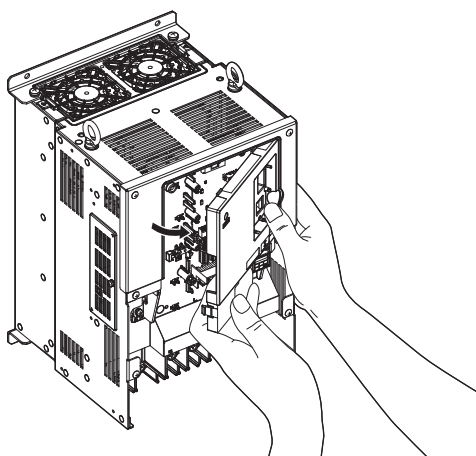


Figure 3.16 Remove the Front Cover (2A0110 to 2A0415 and 4A0058 to 4A0675)

■ Reattaching the Front Cover

2A0004 to 2A0081 and 4A0002 to 4A0044

Reverse the instructions given in [Removing the Front Cover on page 61](#) to reattach the front cover. Pinch inwards on the hooks found on each side of the front cover while guiding it back into the drive. Make sure it clicks firmly into place.

2A0110 to 2A0415 and 4A0058 to 4A0675

1. Slide the front cover so that the hooks on the top connect to the drive.

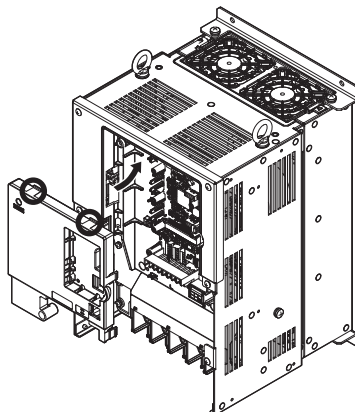


Figure 3.17 Reattach the Front Cover (2A0110 to 2A0415 and 4A0058 to 4A0675)

2. Once the hooks have connected to the drive, press firmly on the cover to make sure it locks into place.

3.7 Top Protective Cover

Drive models CIMR-A□2A0004 to 0081 and 4A0002 to 0058 are designed with NEMA Type 1 specifications, and have a top protective cover on the top. Removing this top protective cover voids the NEMA Type 1 conformance but still keeps a protection degree in accordance with IP20 enclosure.

◆ Removing the Top Protective Cover

Insert the tip of a straight-edge screwdriver into the small openings located on the front edge of the top protective cover. Gently apply pressure as shown in the figure below to free the cover from the drive.

Note: Removing the top protective cover from a IP20/NEMA Type 1 enclosure drive voids the NEMA Type 1 protection but still keeps IP20 conformity.

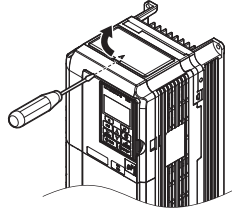


Figure 3.18 Removing the Top Protective Cover

◆ Reattaching the Top Protective Cover

Align the small protruding hooks on the sides of the top protective cover with the corresponding mounting holes on the top of the drive. Pinch the hooks inward so that they connect with the mounting holes and fasten the top protective cover back into place.

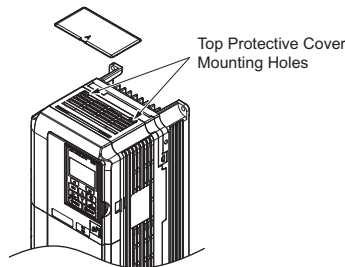


Figure 3.19 Reattaching the Top Protective Cover

3.8 Main Circuit Wiring


This section describes the functions, specifications, and procedures required to safely and properly wire the main circuit in the drive.

NOTICE: Do not solder the ends of wire connections to the drive. Soldered wiring connections can loosen over time. Improper wiring practices could result in drive malfunction due to loose terminal connections.

NOTICE: Do not switch the drive input to start or stop the motor. Frequently switching the drive on and off shortens the lifetime of the DC bus charge circuit and the DC bus capacitors, and can cause premature drive failures. For the full performance life, refrain from switching the drive on and off more than once every 30 minutes.

◆ Main Circuit Terminal Functions

Table 3.1 Main Circuit Terminal Functions

| Terminal | | Type | | | Function | Page |
|---|---|---------------------------------|--|------------------|--|------|
| 200 V Class | Model CIMR-A□ | 2A0004 to 2A0081 | 2A0110, 2A0138 | 2A0169 to 2A0415 | | |
| 400 V Class | | 4A0002 to 4A0044 | 4A0058 to 4A0072 | 4A0088 to 4A0675 | | |
| R/L1 | | Main circuit power supply input | | | Connects line power to the drive | 54 |
| S/L2 | | | | | | |
| T/L3 | | | | | | |
| U/T1 | | Drive output | | | Connects to the motor | 54 |
| V/T2 | | | | | | |
| W/T3 | | | | | | |
| B1 | | Braking resistor | | not available | Available for connecting a braking resistor or a braking resistor unit option | 379 |
| B2 | | | | | | |
| +2 | <ul style="list-style-type: none"> DC reactor connection (+1, +2) (remove the shorting bar between +1 and +2) DC power supply input (+1, -) | not available | | | For connection <ul style="list-style-type: none"> of the drive to a DC power supply (terminals +1 and - are not EU or UL approved) of dynamic braking options of a DC reactor | 383 |
| +1 | | DC power supply input (+1, -) | <ul style="list-style-type: none"> DC power supply input (+1, -) Braking unit connection (+3, -) | | | |
| - | | | | | | |
| +3 | | not available | | | | |
|  | | - | | | Grounding terminal | 71 |

◆ Protecting Main Circuit Terminals

■ Insulation Cap

Use insulation caps when wiring the drive with crimp terminals. Take particular care to ensure that wiring does not touch neighboring terminals or the surrounding case.

■ Insulation Barrier

Insulation barriers are packaged with drive models CIMR-A□4A0414 through 0675 to provide added protection between terminals. Yaskawa recommends using the insulation barriers provided to ensure proper wiring. See [Figure 3.20](#) for instructions on where the insulation barriers should be placed.

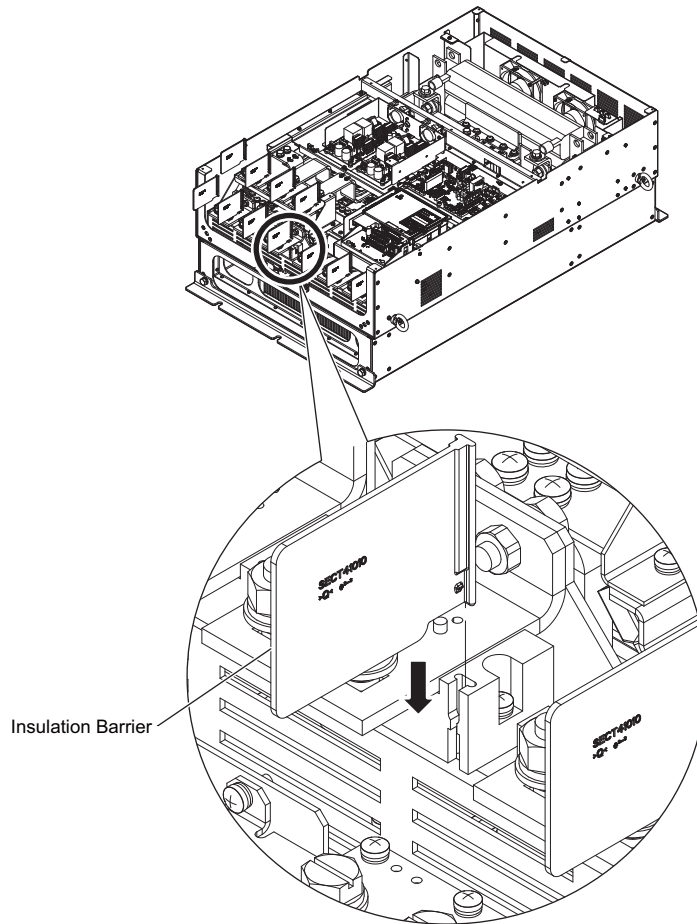


Figure 3.20 Installing insulation barriers

◆ Wire Gauges and Tightening Torque

Select the appropriate wires and crimp terminals from through .

- Note:**
1. Wire gauge recommendations based on drive continuous current ratings (ND) using 75°C 600 Vac vinyl-sheathed wire assuming ambient temperature within 40°C and wiring distance less than 100 m.
 2. Terminals +1, +2, +3, -, B1 and B2 are for connecting optional devices such as a DC reactor or braking resistor. Do not connect other nonspecific devices to these terminals.
- Consider the amount of voltage drop when selecting wire gauges. Increase the wire gauge when the voltage drop is greater than 2% of motor rated voltage. Ensure the wire gauge is suitable for the terminal block. Use the following formula to calculate the amount of voltage drop:
Line drop voltage (V) = $\sqrt{3} \times \text{wire resistance } (\Omega/\text{km}) \times \text{wire length (m)} \times \text{current (A)} \times 10^{-3}$
 - Refer to instruction manual TOBPC72060000 for braking unit or braking resistor unit wire gauges.
 - Use terminal +1 and the negative terminal when connecting a braking resistor, regenerative converter, or a regen unit.
 - [Refer to UL Standards Compliance on page 515](#) for information on UL compliance.

■ Three-Phase 200 V Class

Table 3.2 Wire Gauge and Torque Specifications (Three-Phase 200 V Class)

| Model CIMR-A□ | Terminal | Recommended Gauge mm ² | Applicable Gauge mm ² | Screw Size | Tightening Torque N·m (lb.in.) |
|----------------------------|------------------|--------------------------------------|--|---------------|--------------------------------------|
| 2A0004 2A0006 2A0010 | R/L1, S/L2, T/L3 | 2.5 | 2.5 to 6 | M4 | 1.2 to 1.5 (10.6 to 13.3) |
| | U/T1, V/T2, W/T3 | 2.5 | 2.5 to 6 | | |
| | -, +1, +2 | - | 2.5 to 6 | | |
| | B1, B2 | - | 2.5 to 6 | | |
| | ⊕ | 2.5 | 2.5 to 6 | | |
| 2A0012 | R/L1, S/L2, T/L3 | 2.5 | 2.5 to 6 | M4 | 1.2 to 1.5 (10.6 to 13.3) |
| | U/T1, V/T2, W/T3 | 2.5 | 2.5 to 6 | | |
| | -, +1, +2 | - | 2.5 to 6 | | |
| | B1, B2 | - | 2.5 to 6 | | |
| | ⊕ | 2.5 | 2.5 to 6 | | |
| 2A0021 | R/L1, S/L2, T/L3 | 4 | 2.5 to 6 | M4 | 1.2 to 1.5 (10.6 to 13.3) |
| | U/T1, V/T2, W/T3 | 2.5 | 2.5 to 6 | | |
| | -, +1, +2 | - | 4 to 6 | | |
| | B1, B2 | - | 2.5 to 6 | | |
| | ⊕ | 4 | 4 to 6 | | |
| 2A0030 | R/L1, S/L2, T/L3 | 6 | 4 to 16 | M4 | 1.2 to 1.5 (10.6 to 13.3) |
| | U/T1, V/T2, W/T3 | 6 | 4 to 16 | | |
| | -, +1, +2 | - | 6 to 16 | | |
| | B1, B2 | - | 4 to 6 | | |
| | ⊕ | 6 | 6 to 10 | | |
| 2A0040 | R/L1, S/L2, T/L3 | 10 | 6 to 16 | M4 | 1.2 to 1.5 (10.6 to 13.3) |
| | U/T1, V/T2, W/T3 | 10 | 6 to 16 | | |
| | -, +1, +2 | - | 16 | | |
| | B1, B2 | - | 4 to 6 | | |
| | ⊕ | 10 | 6 to 10 | | |
| 2A0056 | R/L1, S/L2, T/L3 | 16 | 16 to 25 | M6 | 4 to 6 (35.4 to 53.1) |
| | U/T1, V/T2, W/T3 | 16 | 16 to 25 | | |
| | -, +1, +2 | - | 16 to 25 | | |
| | B1, B2 | - | 6 to 10 | | |
| | ⊕ | 16 | 10 to 16 | | |
| 2A0069 | R/L1, S/L2, T/L3 | 25 | 16 to 25 | M8 | 9 to 11 (79.7 to 97.4) |
| | U/T1, V/T2, W/T3 | 16 | 16 to 25 | | |
| | -, +1, +2 | - | 25 | | |
| | B1, B2 | - | 10 to 16 | | |
| | ⊕ | 16 | 16 to 25 | | |
| 2A0081 | R/L1, S/L2, T/L3 | 35 | 25 to 35 | M8 | 9 to 11 (79.7 to 97.4) |
| | U/T1, V/T2, W/T3 | 25 | 25 to 35 | | |
| | -, +1, +2 | - | 25 to 35 | | |
| | B1, B2 | - | 16 | | |
| | ⊕ | 16 | 16 to 25 | | |
| 2A0110 | R/L1, S/L2, T/L3 | 35 | 25 to 50 | M8 | 9 to 11 (79.7 to 97.4) |
| | U/T1, V/T2, W/T3 | 35 | 25 to 50 | | |
| | -, +1 | - | 35 to 50 | | |
| | B1, B2 | - | 16 to 50 | | |
| | ⊕ | 16 | 16 to 25 | | |
| 2A0138 | R/L1, S/L2, T/L3 | 50 | 35 to 70 | M10 | 18 to 23 (159 to 204) |
| | U/T1, V/T2, W/T3 | 50 | 35 to 70 | | |
| | -, +1 | - | 50 to 70 | | |
| | B1, B2 | - | 25 to 70 | | |
| | ⊕ | 25 | 25 | | |

3.8 Main Circuit Wiring

| Model CIMR-A□ | Terminal | Recommended Gauge mm ² | Applicable Gauge mm ² | Screw Size | Tightening Torque N·m (lb.in.) |
|---------------|------------------|-----------------------------------|----------------------------------|------------|--------------------------------|
| 2A0169 | R/L1, S/L2, T/L3 | 70 | 50 to 95 | M10 | 18 to 23 (159 to 204) |
| | U/T1, V/T2, W/T3 | 70 | 50 to 95 | | |
| | -, +1 | - | 35 to 95 | | |
| | +3 | - | 50 to 95 | | |
| | ⊕ | 35 | 25 to 35 | M8 | 9 to 11 (79.7 to 97.4) |
| 2A0211 | R/L1, S/L2, T/L3 | 95 | 70 to 95 | M10 | 18 to 23 (159 to 204) |
| | U/T1, V/T2, W/T3 | 95 | 70 to 95 | | |
| | -, +1 | - | 35 to 95 | | |
| | +3 | - | 50 to 95 | | |
| | ⊕ | 50 | 25 to 50 | M8 | 9 to 11 (79.7 to 97.4) |
| 2A0250 | R/L1, S/L2, T/L3 | 95 × 2P | 95 to 150 | M12 | 32 to 40 (283 to 354) |
| | U/T1, V/T2, W/T3 | 95 × 2P | 95 to 150 | | |
| | -, +1 | - | 70 to 150 | | |
| | +3 | - | 35 to 150 | M10 | 18 to 23 (159 to 204) |
| | ⊕ | 95 | 95 to 150 | M12 | 32 to 40 (283 to 354) |
| 2A0312 | R/L1, S/L2, T/L3 | 95 × 2P | 95 to 150 | M12 | 32 to 40 (283 to 354) |
| | U/T1, V/T2, W/T3 | 95 × 2P | 95 to 150 | | |
| | -, +1 | - | 70 to 150 | | |
| | +3 | - | 70 to 150 | M10 | 18 to 23 (159 to 204) |
| | ⊕ | 95 | 95 to 150 | M12 | 32 to 40 (283 to 354) |
| 2A0360 | R/L1, S/L2, T/L3 | 240 | 95 to 300 | M12 | 32 to 40 (283 to 354) |
| | U/T1, V/T2, W/T3 | 240 | 95 to 300 | | |
| | -, +1 | - | 125 to 300 | | |
| | +3 | - | 70 to 300 | M10 | 18 to 23 (159 to 204) |
| | ⊕ | 120 | 120 to 240 | M12 | 32 to 40 (283 to 354) |
| 2A0415 | R/L1, S/L2, T/L3 | 120 × 2P | 95 to 300 | M12 | 32 to 40 (283 to 354) |
| | U/T1, V/T2, W/T3 | 300 | 95 to 300 | | |
| | -, +1 | - | 150 to 300 | | |
| | +3 | - | 70 to 300 | M10 | 18 to 23 (159 to 204) |
| | ⊕ | 120 | 120 to 240 | M12 | 32 to 40 (283 to 354) |

■ Three-Phase 400 V Class

Table 3.3 Wire Gauge and Torque Specifications (Three-Phase 400 V Class)

| Model CIMR-A□ | Terminal | Recommended Gauge mm ² | Applicable Gauge mm ² | Screw Size | Tightening Torque N·m (lb.in.) |
|----------------------------|------------------|-----------------------------------|----------------------------------|------------|--------------------------------|
| 4A0002 4A0004 | R/L1, S/L2, T/L3 | 2.5 | 2.5 to 6 | M4 | 1.2 to 1.5 (10.6 to 13.3) |
| | U/T1, V/T2, W/T3 | 2.5 | 2.5 to 6 | | |
| | -, +1, +2 | - | 2.5 to 6 | | |
| | B1, B2 | - | 2.5 to 6 | | |
| | ⊕ | 2.5 | 2.5 to 4 | | |
| 4A0005 4A0007 4A0009 | R/L1, S/L2, T/L3 | 2.5 | 2.5 to 6 | M4 | 1.2 to 1.5 (10.6 to 13.3) |
| | U/T1, V/T2, W/T3 | 2.5 | 2.5 to 6 | | |
| | -, +1, +2 | - | 2.5 to 6 | | |
| | B1, B2 | - | 2.5 to 6 | | |
| | ⊕ | 2.5 | 2.5 to 6 | | |
| 4A0011 | R/L1, S/L2, T/L3 | 2.5 | 2.5 to 6 | M4 | 1.2 to 1.5 (10.6 to 13.3) |
| | U/T1, V/T2, W/T3 | 2.5 | 2.5 to 6 | | |
| | -, +1, +2 | - | 2.5 to 6 | | |
| | B1, B2 | - | 2.5 to 6 | | |
| | ⊕ | 2.5 | 2.5 to 6 | | |

| Model CIMR-A□ | Terminal | Recommended Gauge mm ² | Applicable Gauge mm ² | Screw Size | Tightening Torque N·m (lb.in.) |
|------------------|------------------|--------------------------------------|--|---------------|--------------------------------------|
| 4A0018 | R/L1, S/L2, T/L3 | 2.5 | 2.5 to 16 | M4 | 1.2 to 1.5 (10.6 to 13.3) |
| | U/T1, V/T2, W/T3 | 2.5 | 2.5 to 16 | | |
| | -, +1, +2 | - | 4 to 16 | | |
| | B1, B2 | - | 4 to 6 | | |
| | ⊕ | 2.5 | 2.5 to 6 | M5 | 2 to 2.5 (17.7 to 22.1) |
| 4A0023 | R/L1, S/L2, T/L3 | 4 | 2.5 to 16 | M4 | 1.2 to 1.5 (10.6 to 13.3) |
| | U/T1, V/T2, W/T3 | 4 | 2.5 to 16 | | |
| | -, +1, +2 | - | 4 to 16 | | |
| | B1, B2 | - | 4 to 6 | | |
| | ⊕ | 4 | 4 to 6 | M5 | 2 to 2.5 (17.7 to 22.1) |
| 4A0031 | R/L1, S/L2, T/L3 | 6 | 6 to 16 | M5 | 2 to 2.5 (17.7 to 22.1) |
| | U/T1, V/T2, W/T3 | 6 | 6 to 16 | | |
| | -, +1, +2 | - | 6 to 16 | | |
| | B1, B2 | - | 6 to 10 | M5 | 2 to 2.5 (17.7 to 22.1) |
| | ⊕ | 6 | 6 to 10 | M6 | 4 to 6 (35.4 to 53.1) |
| 4A0038 | R/L1, S/L2, T/L3 | 10 | 10 to 16 | M5 | 2 to 2.5 (17.7 to 22.1) |
| | U/T1, V/T2, W/T3 | 6 | 6 to 16 | | |
| | -, +1, +2 | - | 6 to 16 | | |
| | B1, B2 | - | 6 to 10 | M5 | 2 to 2.5 (17.7 to 22.1) |
| | ⊕ | 10 | 6 to 16 | M6 | 4 to 6 (35.4 to 53.1) |
| 4A0044 | R/L1, S/L2, T/L3 | 16 | 16 to 25 | M6 | 4 to 6 (35.4 to 53.1) |
| | U/T1, V/T2, W/T3 | 16 | 16 to 25 | | |
| | -, +1, +2 | - | 16 to 25 | | |
| | B1, B2 | - | 6 to 10 | M5 | 2 to 2.5 (17.7 to 22.1) |
| | ⊕ | 16 | 10 to 16 | M6 | 4 to 6 (35.4 to 53.1) |
| 4A0058 | R/L1, S/L2, T/L3 | 16 | 10 to 50 | M8 | 9 to 11 (79.7 to 97.4) |
| | U/T1, V/T2, W/T3 | 16 | 10 to 50 | | |
| | -, +1 | - | 16 to 50 | | |
| | B1, B2 | - | 10 to 50 | | |
| | ⊕ | 16 | 10 to 16 | | |
| 4A0072 | R/L1, S/L2, T/L3 | 16 | 16 to 50 | M8 | 9 to 11 (79.7 to 97.4) |
| | U/T1, V/T2, W/T3 | 25 | 16 to 50 | | |
| | -, +1 | - | 25 to 50 | | |
| | B1, B2 | - | 16 to 50 | | |
| | ⊕ | 16 | 16 to 25 | | |
| 4A0088 | R/L1, S/L2, T/L3 | 25 | 16 to 70 | M8 | 9 to 11 (79.7 to 97.4) |
| | U/T1, V/T2, W/T3 | 25 | 25 to 70 | | |
| | -, +1 | - | 25 to 70 | | |
| | +3 | - | 16 to 70 | | |
| | ⊕ | 16 | 16 to 25 | | |
| 4A0103 | R/L1, S/L2, T/L3 | 35 | 25 to 70 | M8 | 9 to 11 (79.7 to 97.4) |
| | U/T1, V/T2, W/T3 | 35 | 25 to 70 | | |
| | -, +1 | - | 25 to 70 | | |
| | +3 | - | 25 to 70 | | |
| | ⊕ | 16 | 16 to 25 | | |
| 4A0139 | R/L1, S/L2, T/L3 | 50 | 35 to 95 | M10 | 18 to 23 (159 to 204) |
| | U/T1, V/T2, W/T3 | 50 | 35 to 95 | | |
| | -, +1 | - | 50 to 95 | | |
| | +3 | - | 25 to 95 | | |
| | ⊕ | 25 | 25 | | |
| 4A0165 | R/L1, S/L2, T/L3 | 70 | 50 to 95 | M10 | 18 to 23 (159 to 204) |
| | U/T1, V/T2, W/T3 | 70 | 70 to 95 | | |
| | -, +1 | - | 35 to 95 | | |
| | +3 | - | 50 to 95 | | |
| | ⊕ | 35 | 25 to 35 | | |

3.8 Main Circuit Wiring

| Model CIMR-A□ | Terminal | Recommended Gauge mm ² | Applicable Gauge mm ² | Screw Size | Tightening Torque N·m (lb.in.) |
|---------------|------------------|-----------------------------------|----------------------------------|------------|--------------------------------|
| 4A0208 | R/L1, S/L2, T/L3 | 95 | 35 to 95 | M10 | 18 to 23 (159 to 204) |
| | U/T1, V/T2, W/T3 | 95 | 35 to 95 | | |
| | -, +1 | - | 35 to 150 | | |
| | +3 | - | 25 to 70 | | |
| | ⊕ | 50 | 50 to 150 | | |
| 4A0250 | R/L1, S/L2, T/L3 | 120 | 95 to 300 | M10 | 18 to 23 (159 to 204) |
| | U/T1, V/T2, W/T3 | 120 | 95 to 300 | | |
| | -, +1 | - | 70 to 300 | | |
| | +3 | - | 35 to 300 | | |
| | ⊕ | 70 | 70 to 240 | | |
| 4A0296 | R/L1, S/L2, T/L3 | 185 | 95 to 300 | M12 | 32 to 40 (283 to 354) |
| | U/T1, V/T2, W/T3 | 185 | 95 to 300 | | |
| | -, +1 | - | 70 to 300 | | |
| | +3 | - | 35 to 300 | M10 | 18 to 23 (159 to 204) |
| | ⊕ | 95 | 95 to 240 | M12 | 32 to 40 (283 to 354) |
| 4A0362 | R/L1, S/L2, T/L3 | 240 | 95 to 300 | M12 | 32 to 40 (283 to 354) |
| | U/T1, V/T2, W/T3 | 240 | 95 to 300 | | |
| | -, +1 | - | 95 to 300 | | |
| | +3 | - | 70 to 300 | M10 | 18 to 23 (159 to 204) |
| | ⊕ | 120 | 120 to 240 | M12 | 32 to 40 (283 to 354) |
| 4A0414 | R/L1, S/L2, T/L3 | 95 × 2P | 95 to 150 | M12 | 32 to 40 (283 to 354) |
| | U/T1, V/T2, W/T3 | 95 × 2P | 95 to 150 | | |
| | -, +1 | - | 70 to 150 | | |
| | +3 | - | 70 to 150 | | |
| | ⊕ | 95 | 35 to 95 | | |
| 4A0515 | R/L1, S/L2, T/L3 | 120 × 2P | 95 to 150 | M12 | 32 to 40 (283 to 354) |
| | U/T1, V/T2, W/T3 | 150 × 2P | 95 to 150 | | |
| | -, +1 | - | 70 to 150 | | |
| | +3 | - | 70 to 150 | | |
| | ⊕ | 150 | 50 to 150 | | |
| 4A0675 | R/L1, S/L2, T/L3 | 95 × 4P | 95 to 150 | M12 | 32 to 40 (283 to 354) |
| | U/T1, V/T2, W/T3 | 95 × 4P | 95 to 150 | | |
| | -, +1 | - | 70 to 150 | | |
| | +3 | - | 70 to 150 | | |
| | ⊕ | 95 × 2P | 60 to 150 | | |

◆ Main Circuit Terminal and Motor Wiring

This section outlines the various steps, precautions, and checkpoints for wiring the main circuit terminals and motor terminals.

NOTICE: When connecting the motor to the drive output terminals U/T1, V/T2, and W/T3, the phase order for the drive and motor should match. Failure to comply with proper wiring practices may cause the motor to run in reverse if the phase order is backward.

NOTICE: Do not connect phase-advancing capacitors or LC/RC noise filters to the output circuits. Failure to comply could result in damage to the drive, phase-advancing capacitors, LC/RC noise filters or ground fault circuit interrupters.

NOTICE: Do not connect the AC power line to the output motor terminals of the drive. Failure to comply could result in death or serious injury by fire as a result of drive damage from line voltage application to output terminals.

■ Cable Length Between Drive and Motor

Voltage drop along the motor cable may cause reduced motor torque when the wiring between the drive and the motor is too long, especially at low frequency output. This can also be a problem when motors are connected in parallel with a

fairly long motor cable. Drive output current will increase as the leakage current from the cable increases. An increase in leakage current may trigger an overcurrent situation and weaken the accuracy of the current detection.

Adjust the drive carrier frequency according to [Table 3.4](#). If the motor wiring distance exceeds 100 m because of the system configuration, reduce the ground currents. [Refer to C6-02: Carrier Frequency Selection on page 177](#).

Table 3.4 Cable Length Between Drive and Motor

| Cable Length | 50 m or less | 100 m or less | Greater than 100 m |
|-------------------|----------------|---------------|--------------------|
| Carrier Frequency | 15 kHz or less | 5 kHz or less | 2 kHz or less |

Note: When setting carrier frequency in a drive running multiple motors, calculate the cable length as the total distance of wiring to all motors that are connected.

■ Ground Wiring

Follow the precautions to wire the ground for one drive or a series of drives.

WARNING! Electrical Shock Hazard. Always use a ground wire that complies with technical standards on electrical equipment and minimize the length of the ground wire. Improper equipment grounding may cause dangerous electrical potentials on equipment chassis, which could result in death or serious injury.

WARNING! Electrical Shock Hazard. Be sure to ground the drive ground terminal. Improper equipment grounding could result in death or serious injury by contacting ungrounded electrical equipment.

NOTICE: Do not share the ground wire with other devices such as welding machines or large-current electrical equipment. Improper equipment grounding could result in drive or equipment malfunction due to electrical interference.

NOTICE: When using more than one drive, ground multiple drives according to instructions. Improper equipment grounding could result in abnormal operation of drive or equipment.

Refer to [Figure 3.21](#) when using multiple drives. Do not loop the ground wire.

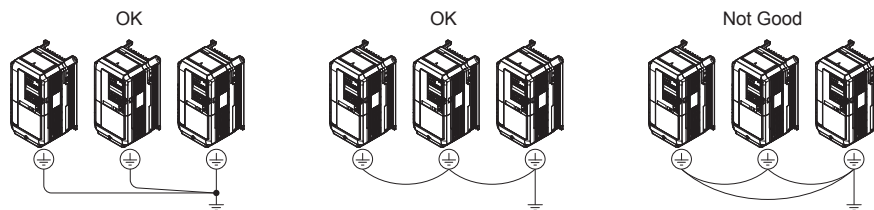


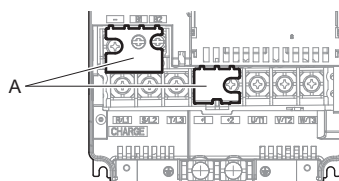
Figure 3.21 Multiple Drive Wiring

■ Wiring the Main Circuit Terminal

WARNING! Electrical Shock Hazard. Shut off the power supply to the drive before wiring the main circuit terminals. Failure to comply may result in death or serious injury.

Wire the main circuit terminals after the terminal board has been properly grounded.

Models CIMR-A□2A0004 through 0081 and 4A0002 through 0044 have a cover placed over the DC bus and braking circuit terminals prior to shipment to help prevent miswiring. Cut away covers as needed for terminals using wire cutters.



A – Protecting Cover

Figure 3.22 Protecting Cover to Prevent Miswiring (CIMR-A□2A0056)

■ Main Circuit Connection Diagram

[Refer to Main Circuit Connection Diagram on page 56](#) when wiring terminals on the drive's main power circuit.

WARNING! Fire Hazard. The braking resistor connection terminals are B1 and B2. Do not connect braking resistors to any other terminals. Improper wiring connections could cause the braking resistor to overheat and cause death or serious injury by fire. Failure to comply may result in damage to the braking circuit or drive.

3.9 Control Circuit Wiring

◆ Control Circuit Connection Diagram

Refer to [Standard Connection Diagram on page 54](#) when wiring terminals on the drive’s control circuit.

◆ Control Circuit Terminal Block Functions

Drive parameters determine which functions apply to the multi-function digital inputs (S1 to S8), multi-function digital outputs (M1 to M6), multi-function analog inputs (A1 to A3), and multi-function analog monitor output (FM, AM). The default setting is listed next to each terminal in [Figure 3.1 on page 54](#).

WARNING! Sudden Movement Hazard. Always check the operation and wiring of control circuits after being wired. Operating a drive with untested control circuits could result in death or serious injury.

WARNING! Confirm the drive I/O signals and external sequence before starting test run. Setting parameter A1-06 may change the I/O terminal function automatically from the factory setting. Refer to [Application Selection on page 103](#). Failure to comply may result in death or serious injury.

■ Input Terminals

[Table 3.5](#) lists the input terminals on the drive. Text in parenthesis indicates the default setting for each multi-function input.

Table 3.5 Control Circuit Input Terminals

| Type | No. | Terminal Name (Function) | Function (Signal Level) Default Setting | Page |
|-----------------------------------|--------------------------------|---|--|-------------------|
| Multi-Function Digital Inputs | S1 | Multi-function input 1 (Closed: Forward run, Open: Stop) | Photocoupler 24 Vdc, 8 mA Set the S3 jumper to select between sinking, sourcing mode, and the power supply. Refer to Sinking/Sourcing Mode Switch for Digital Inputs on page 77 . | 423 |
| | S2 | Multi-function input 2 (Closed: Reverse run, Open: Stop) | | |
| | S3 | Multi-function input 3 (External fault, N.O.) | | |
| | S4 | Multi-function input 4 (Fault reset) | | |
| | S5 | Multi-function input 5 (Multi-step speed reference 1) | | |
| | S6 | Multi-function input 6 (Multi-step speed reference 2) | | |
| | S7 | Multi-function input 7 (Jog reference) | | |
| | S8 | Multi-function input 8 (External baseblock) | | |
| | SC | Multi-function input common | Multi-function input common | |
| | SP | Digital input power supply +24 Vdc | 24 Vdc power supply for digital inputs, 150 mA max (if no digital input option DI-A3 is used only) | 77 |
| SN | Digital input power supply 0 V | Never short terminals SP and SN as doing so will damage the drive. | | |
| Safe Disable Inputs | H1 | Safe Disable input 1 | 24 Vdc, 8 mA One or both open: Output disabled Both closed: Normal operation Internal impedance: 3.3 kΩ Off time of at least 1 ms Disconnect the wire jumpers shorting terminals H1, H2, and HC to use the Safe Disable inputs. Set the S5 jumper to select between sinking, sourcing mode, and the power supply as explained in Sinking/Sourcing Mode Selection for Safe Disable Inputs on page 77 . | 518 |
| | H2 | Safe Disable input 2 | | |
| | HC | Safe Disable function common | | |
| Analog Inputs / Pulse Train Input | RP | Multi-function pulse train input (Frequency reference) | Input frequency range: 0 to 32 kHz Signal Duty Cycle: 30 to 70% High level: 3.5 to 13.2 Vdc, low level: 0.0 to 0.8 Vdc Input impedance: 3 kΩ | 137 241 |
| | +V | Power supply for analog inputs | 10.5 Vdc (max allowable current 20 mA) | 136 |
| | -V | Power supply for analog inputs | -10.5 Vdc (max allowable current 20 mA) | – |
| | A1 | Multi-function analog input 1 (Frequency reference bias) | -10 to 10 Vdc, 0 to 10 Vdc (input impedance: 20 kΩ) | 136 234 |
| | A2 | Multi-function analog input 2 (Frequency reference bias) | -10 to 10 Vdc, 0 to 10 Vdc (input impedance: 20 kΩ) 4 to 20 mA, 0 to 20 mA (input impedance: 250 Ω) Voltage or current input must be selected by DIP switch S1 and H3-09 | 136 137 236 |
| | A3 | Multi-function analog input 3 (auxiliary frequency reference) / PTC Input | -10 to 10 Vdc, 0 to 10 Vdc (input impedance: 20 kΩ) Use DIP switch S4 on the terminal board to selection between analog or PTC input. | 136 |
| | AC | Frequency reference common | 0 V | 136 |
| | E (G) | Ground for shielded lines and option cards | – | – |

Output Terminals

Table 3.6 lists the output terminals on the drive. Text in parenthesis indicates the default setting for each multi-function output.

Table 3.6 Control Circuit Output Terminals

| Type | No. | Terminal Name (Function) | Function (Signal Level) Default Setting | Page |
|-----------------------------------|-----|---|---|------|
| Fault Relay | MA | N.O. | 30 Vdc, 10 mA to 1 A; 250 Vac, 10 mA to 1 A Minimum load: 5 Vdc, 10 mA | 224 |
| | MB | N.C. output | | |
| | MC | Fault output common | | |
| Multi-Function Digital Output <1> | M1 | Multi-function digital output (During run) | 30 Vdc, 10 mA to 1 A; 250 Vac, 10 mA to 1 A Minimum load: 5 Vdc, 10 mA | 224 |
| | M2 | | | |
| | M3 | Multi-function digital output (Zero Speed) | | |
| | M4 | | | |
| | M5 | Multi-function digital output (Speed Agree 1) | | |
| | M6 | | | |
| Monitor Output | MP | Pulse train output (Output frequency) | 32 kHz (max) | 241 |
| | FM | Analog monitor output 1 (Output frequency) | -10 to +10 Vdc, 0 to +10 Vdc, or 4-20 mA | 239 |
| | AM | Analog monitor output 2 (Output current) | Use jumper S5 on the terminal board to select between voltage or current output signals. | |
| | AC | Monitor common | 0 V | - |
| Safety Monitor Output | DM+ | Safety monitor output | Outputs status of Safe Disable function. Closed when both Safe Disable channels are closed. Up to +48 Vdc 50 mA | 509 |
| | DM- | Safety monitor output common | | |

<1> Refrain from assigning functions to digital outputs that involve frequent switching, as doing so may shorten relay performance life. Switching life is estimated at 200,000 times (assumes 1 A, resistive load).

Serial Communication Terminals

Table 3.7 Control Circuit Terminals: Serial Communications

| Type | No. | Signal Name | Function (Signal Level) |
|----------------------------------|-----|---------------------------|---|
| MEMOBUS/Modbus Communication <1> | R+ | Communications input (+) | MEMOBUS/Modbus communication: Use a RS-485 or RS-422 cable to connect the drive. 0 V |
| | R- | Communications input (-) | |
| | S+ | Communications output (+) | |
| | S- | Communications output (-) | |
| | IG | Shield ground | |

<1> Enable the termination resistor in the last drive in a MEMOBUS network by setting DIP switch S2 to the ON position. For more information on the termination resistor, see Control I/O Connections on page 77.

Terminal Configuration

Control circuit terminals should be arranged as shown in Figure 3.23.

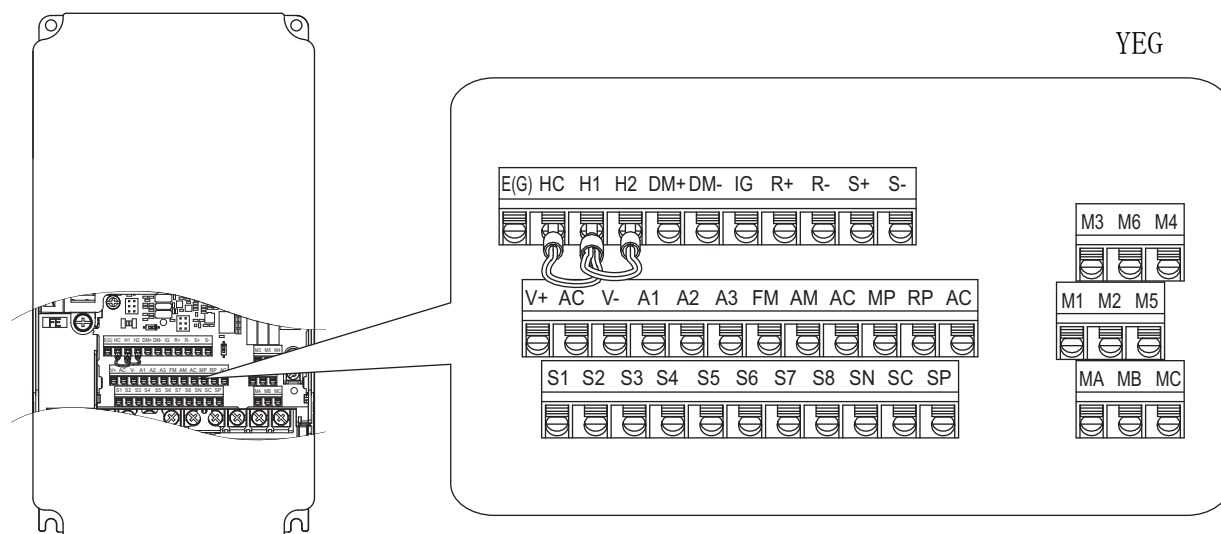


Figure 3.23 Control Circuit Terminal Arrangement

3.9 Control Circuit Wiring

■ Wire Size

Select appropriate wire type and gauges from [Table 3.8](#). For simpler and more reliable wiring, use crimp ferrules on the wire ends. Refer to [Table 3.9](#) for ferrule terminal types and sizes.

Table 3.8 Wire Gauges

| Terminal | Bare Wire Terminal | | Ferrule-Type Terminal | | Wire Type |
|--|---|---|--|---|---------------------|
| | Applicable wire size mm ² (AWG) | Recommended wire size mm ² (AWG) | Applicable wire size mm ² (AWG) | Recommended wire size mm ² (AWG) | |
| S1-S8, SC, SP, SN, RP, +V, -V, A1, A2, A3, AC, M1-M6, MA, MB, MC, MP, AM, FM, AC, S+, S-, R+, R-, IG, HC, H1, H2, DM+, DM- | Stranded wire: 0.2 to 1.0 (24 to 16) Solid wire: 0.2 to 1.5 (24 to 16) | 0.75 (18) | 0.25 to 0.5 (24 to 20) | 0.5 (20) | Shielded line, etc. |

■ Ferrule-Type Wire Terminals

Prepare wire ends with insulated sleeves before connecting to the drive. See [Table 3.9](#) for dimensions. Yaskawa recommends CRIMPFOX ZA-3, a crimping tool manufactured by PHOENIX CONTACT.

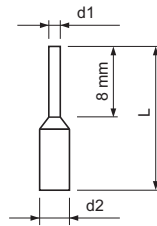


Figure 3.24 Ferrule Dimensions

Table 3.9 Ferrule Terminal Types and Sizes

| Size mm ² (AWG) | Type | L (mm) | d1 (mm) | d2 (mm) | Manufacturer |
|----------------------------|-----------------------------|--------|---------|---------|-----------------|
| 0.25 (24) | AI 0.25-8YE | 12.5 | 0.8 | 1.8 | PHOENIX CONTACT |
| 0.34 (22) | AI 0.34-8TQ | 10.5 | 0.8 | 1.8 | |
| 0.5 (20) | AI 0.5-8WH or AI 0.5-8OG | 14 | 1.1 | 2.5 | |

◆ Wiring the Control Circuit Terminal

This section describes the proper procedures and preparations for wiring the control terminals.

WARNING! *Electrical Shock Hazard. Do not remove covers or touch the circuit boards while the power is on. Failure to comply could result in death or serious injury.*

NOTICE: *Separate control circuit wiring from main circuit wiring (terminals R/L1, S/L2, T/L3, B1, B2, U/T1, V/T2, W/T3, -, +1, +2) and other high-power lines. Improper wiring practices could result in drive malfunction due to electrical interference.*

NOTICE: *Separate wiring for digital output terminals MA, MB, MC and M1 to M6 from wiring to other control circuit lines. Improper wiring practices could result in drive or equipment malfunction or nuisance trips.*

NOTICE: *Use a class 2 power supply (UL standard) when connecting to the control terminals. Improper application of peripheral devices could result in drive performance degradation due to improper power supply.*

NOTICE: *Insulate shields with tape or shrink tubing to prevent contact with other signal lines and equipment. Improper wiring practices could result in drive or equipment malfunction due to short circuit.*

NOTICE: *Connect the shield of shielded cable to the appropriate ground terminal. Improper equipment grounding could result in drive or equipment malfunction or nuisance trips.*

Wire the control circuit only after terminals have been properly grounded and main circuit wiring is complete. Refer to [Figure 3.25](#) and [Figure 3.26](#) for details. Prepare the ends of the control circuit wiring as shown in [Figure 3.27](#). Refer to [Wire Size on page 74](#).

NOTICE: *Use shielded twisted-pair cables as indicated to prevent operating faults. Improper wiring practices could result in drive or equipment malfunction due to electrical interference.*

Connect control wires as shown in the following figure:

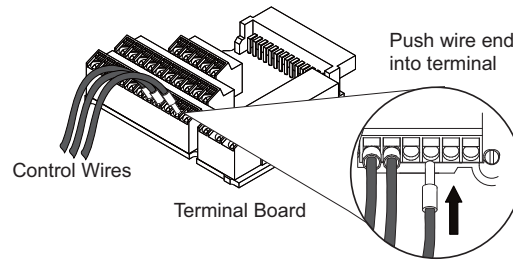


Figure 3.25 Terminal Board Wiring Guide

To disconnect control wires from the terminals use the procedure described in [Figure 3.26](#). Grasp the wire where it enters the terminal with a pair of pliers, then use a straight-edge screw driver to release the terminal and pull the wire out. If it fits tightly, e.g. if ferrules are used, turn the wire for about 45° and then pull it gently out. Use this procedure to remove the wire jumper between terminals HC, H1 and H2 that is preinstalled at shipping.

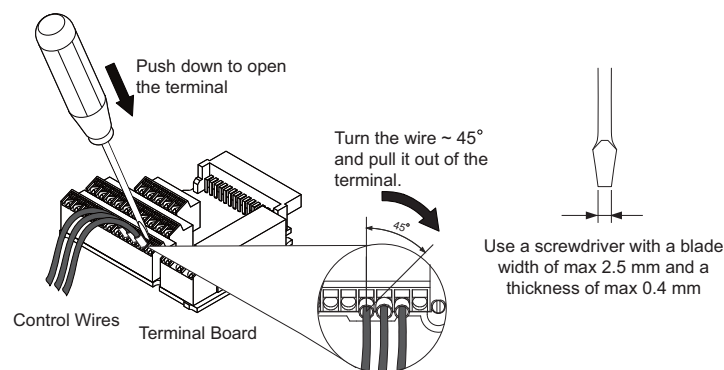
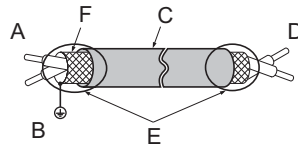


Figure 3.26 Removing Wires from the Terminal Board

When setting the frequency by analog reference from an external potentiometer, use shielded twisted-pair wires (treating wire ends as shown in [Figure 3.27](#) and connect the shield to the ground terminal of the drive.



- | | |
|--|---|
| A – Drive side | D – Control device side |
| B – Connect shield to ground terminal of drive. | E – Shield sheath (insulate with tape) |
| C – Insulation | F – Shield |

Figure 3.27 Preparing the Ends of Shielded Cables

NOTICE: The signal lines between the drive and the operator station or peripheral equipment should not exceed 50 meters when using an analog signal from a remote source to supply the frequency reference. Failure to comply could result in poor system performance.

◆ Switches and Jumpers on the Terminal Board

The terminal board is equipped with several switches used to adapt the drive I/Os to the external control signals.

Figure 3.28 shows the location of these switches. Refer to *Control I/O Connections on page 77* for setting instructions.

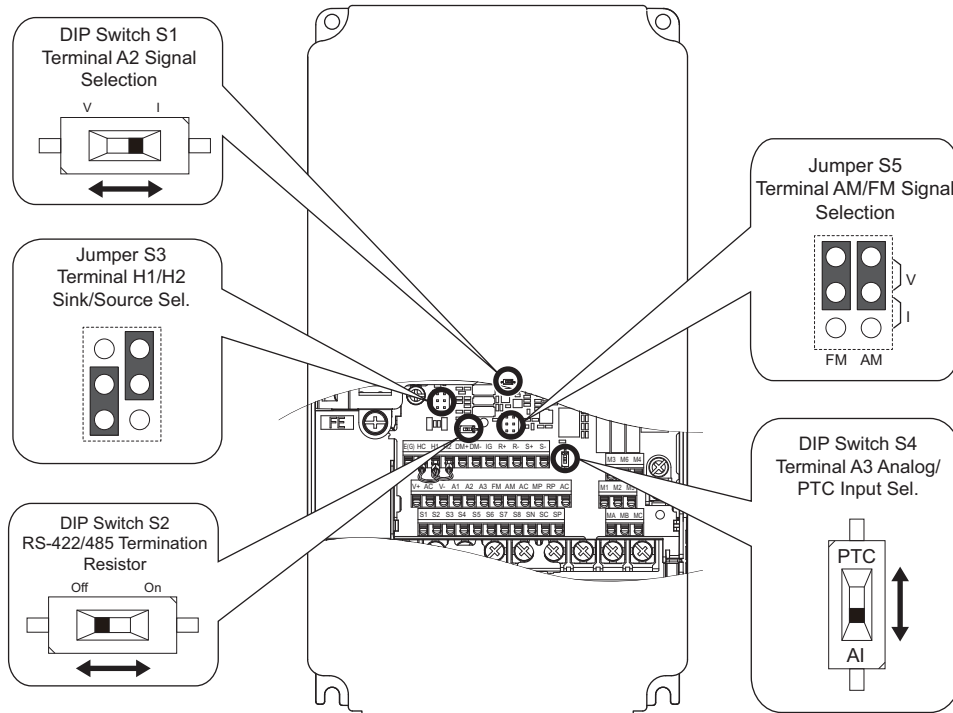


Figure 3.28 Locations of Jumpers and Switches on the Terminal Board

3.10 Control I/O Connections

◆ Sinking/Sourcing Mode Switch for Digital Inputs

Use the wire link between terminals SC and SP or SC and SN to select between Sink mode, Source mode or external power supply for the digital inputs S1 to S8 as shown in [Table 3.10](#) (Default: Sink mode, internal power supply).

Note: Never short terminals SP and SN as doing so will damage the drive.

Table 3.10 Digital Input Sink / Source / External Power Supply Selection

| | Drive Internal Power Supply (Terminal SN and SP) | External 24 Vdc Power Supply |
|----------------------------|--|------------------------------|
| Sinking Mode (NPN) | | |
| Sourcing Mode (PNP) | | |

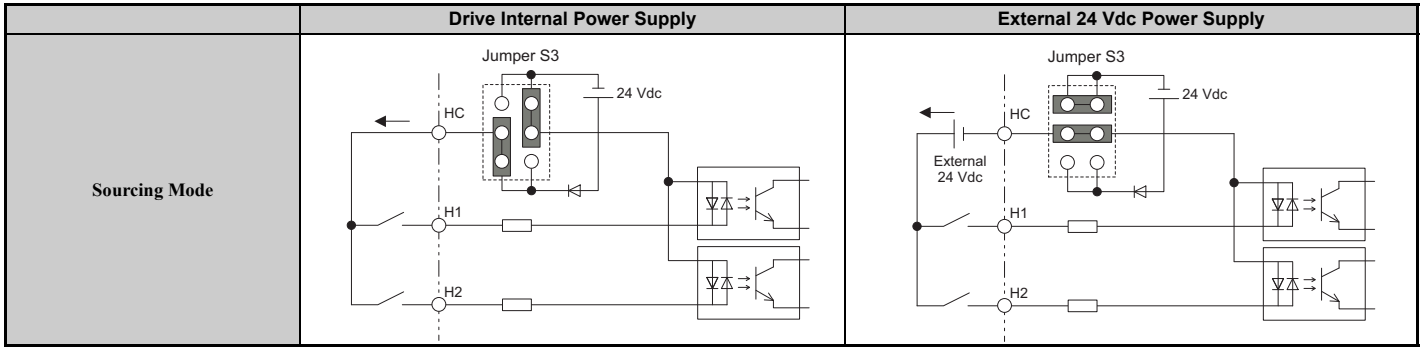
◆ Sinking/Sourcing Mode Selection for Safe Disable Inputs

Use jumper S3 on the terminal board to select between Sink mode, Source mode or external power supply for the Safe Disable inputs H1 and H2 as shown in [Table 3.11](#) (Default: Source mode, internal power supply.) Refer to [Switches and Jumpers on the Terminal Board on page 76](#) for locating jumper S3.

Table 3.11 Safe Disable Input Sink / Source / External Power Supply Selection

| | Drive Internal Power Supply | External 24 Vdc Power Supply |
|---------------------|-----------------------------|------------------------------|
| Sinking Mode | | |

3.10 Control I/O Connections



◆ Using the Pulse Train Output

The pulse train output terminal MP can either supply power but can also be used with external power supply. Peripheral devices should be connected in accordance with the specifications listed below. Failure to do so can cause unexpected drive operation, and can damage the drive or connected circuits.

■ Using Power from the Pulse Output Terminal (Source Mode)

The high voltage level of the pulse output terminal depends on the load impedance.

| Load Impedance R_L (k Ω) | Output Voltage V_{MP} (V) (insulated) |
|------------------------------------|---|
| 1.5 k Ω | 5 V |
| 4 k Ω | 8 V |
| 10 k Ω | 10 V |

Note: The load resistance needed in order to get a certain high level voltage V_{MP} can be calculated by: $R_L = V_{MP} \cdot 2 / (12 - V_{MP})$

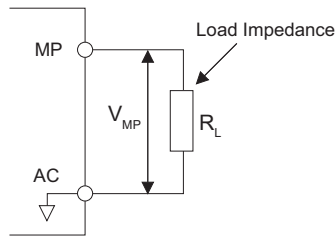


Figure 3.29 Pulse Output Connection Using Internal Voltage Supply

■ Using External Power Supply (Sink Mode)

The high voltage level of the pulse output signal depends on the external voltage applied. The voltage must be between 12 and 15 Vdc. The load resistance must be adjusted so that the current is lower than 16 mA.

| External Power Supply (V) | Load Impedance (k Ω) |
|---------------------------|------------------------------|
| 12 to 15 Vdc $\pm 10\%$ | 1.0 k Ω or higher |

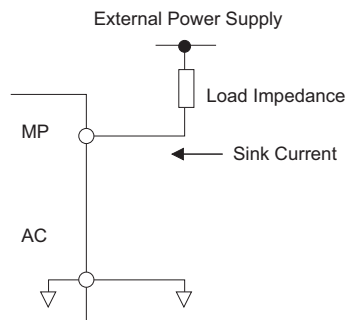


Figure 3.30 Pulse Output Connection Using External Voltage Supply

◆ Terminal A2 Input Signal Selection

Terminal A2 can be used to input either a voltage or a current signal. Select the signal type using switch S1 as explained in [Table 3.12](#). Set parameter H3-09 accordingly as shown in [Table 3.13](#). Refer to [Switches and Jumpers on the Terminal Board on page 76](#) for locating switch S1.

Note: If terminals A1 and A2 are both set for frequency bias (H3-02 = 0 and H3-10 = 0), both input values will be combined to create the frequency reference.

Table 3.12 DIP Switch S1 Settings

| Setting | Description |
|------------------------------|---|
| V (left position) | Voltage input (-10 to +10 V) |
| I (right position) (default) | Current input (4 to 20 mA or 0 to 20 mA): default setting |

Table 3.13 Parameter H3-09 Details

| No. | Parameter Name | Description | Setting Range | Default Setting |
|-------|------------------------------------|---|---------------|-----------------|
| H3-09 | Terminal A2 signal level selection | Selects the signal level for terminal A2. 0: 0 to 10 Vdc 1: -10 to 10 Vdc 2: 4 to 20 mA 3: 0 to 20 mA | 0 to 3 | 2 |

◆ Terminal A3 Analog/PTC Input Selection

Terminal A3 can be configured either as multi-function analog input or as PTC input for motor thermal overload protection. Use switch S4 to select the input function as described in [Table 3.14](#). Refer to [Switches and Jumpers on the Terminal Board on page 76](#) for locating switch S4.

Table 3.14 DIP Switch S4 Settings

| Setting | Description |
|-------------------------------|---|
| AI (lower position) (default) | Analog input for the function selected in parameter H3-06 |
| PTC (upper position) | PTC input. Parameter H3-06 must be set to E (PTC input) |

◆ Terminal AM/FM Signal Selection

The signal type for terminals AM and FM can be set to either voltage or current output using jumper S5 on the terminal board as explained in [Table 3.15](#). When changing the setting of jumper S5, parameters H4-07 and H4-08 must be set accordingly. The default selection is voltage output for both terminals. Refer to [Switches and Jumpers on the Terminal Board on page 76](#) for locating jumper S5.

Table 3.15 Jumper S5 Settings

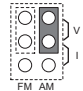
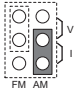
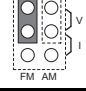
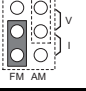
| | Voltage Output | Current Output |
|-------------|---|---|
| Terminal AM |  |  |
| Terminal FM |  |  |

Table 3.16 Parameter H4-07, H4-08 Details

| No. | Parameter Name | Description | Setting Range | Default Setting |
|-------|------------------------------------|---|---------------|-----------------|
| H4-07 | Terminal AM signal level selection | 0: 0 to 10 Vdc 1: -10 to 10 Vdc 2: 4 to 20 mA | 0 to 2 | 0 |
| H4-08 | Terminal FM signal level selection | | | |

◆ MEMOBUS/Modbus Termination

This drive is equipped with a built in termination resistor for the RS-422/485 communication port. DIP switch S2 enables or disabled the termination resistor as shown in [Table 3.17](#). The OFF position is the default. The termination resistor should be placed to the ON position when the drive is the last in a series of slave drives. Refer to [Switches and Jumpers on the Terminal Board on page 76](#) for locating switch S2.

Table 3.17 MEMOBUS/Modbus Switch Settings

| S2 Position | Description |
|-------------|---|
| ON | Internal termination resistor ON |
| OFF | Internal termination resistor OFF (default setting) |

Note: Refer to [MEMOBUS/Modbus Communications on page 477](#) for details on MEMOBUS/Modbus.

3.11 Connect to a PC

This drive is equipped with a USB port (type-B).

The drive can connect to the USB port of a PC using a USB 2.0, AB type cable (sold separately). DriveWizard Plus can then be used to monitor drive performance and manage parameter settings. Contact Yaskawa for more information on DriveWizard Plus.

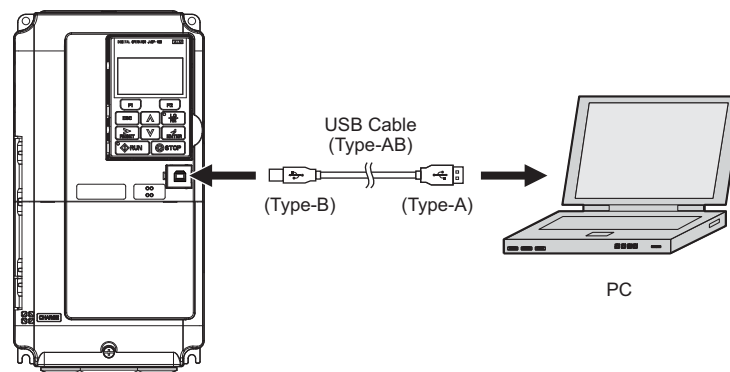


Figure 3.31 Connecting to a PC (USB)

3.12 External Interlock

Systems that may be affected if the drive faults out should be interlocked with the drive's fault output and ready signal.

◆ Drive Ready

When the "Drive ready" signal has been set to one of the multi-function contact outputs, that output will close whenever the drive is ready to accept a Run command or is already running. Under the following conditions the Drive ready signal will switch off and remain off, even if a Run command is entered:

- when the power supply is shut off.
- during a fault.
- when there is problem with the control power supply.
- when a parameter setting error makes the drive unable to run even if a Run command has been entered.
- when a fault such as overvoltage or undervoltage is triggered as soon as the Run command is entered.
- when the drive is in the Programming mode and will not accept a Run command even when entered.

■ Interlock Circuit Example

Two drives running a single application might interlock with the controller using the Drive ready and Fault output signals as shown below. The figure illustrates how the application would not be able to run if either drive experiences a fault or is unable to supply a Drive ready signal.

| Terminal | Output Signal | Parameter Setting |
|------------|---------------|-------------------|
| MA, MB, MC | Fault | – |
| M1-M2 | Drive Ready | H2-01 = 06 |

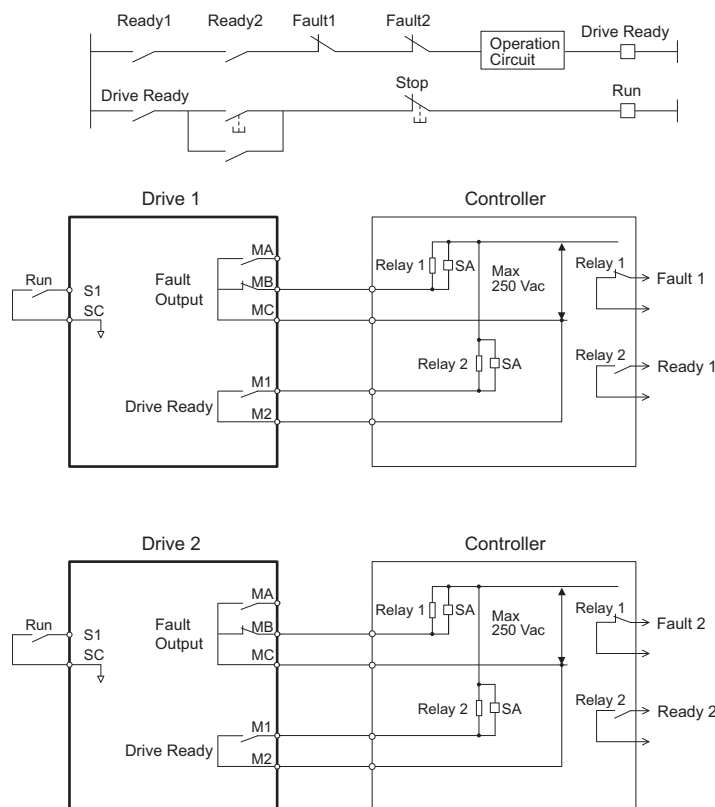


Figure 3.32 Interlock Circuit Example

3.13 Wiring Checklist

| <input checked="" type="checkbox"/> | No. | Item | Page |
|---|-----|---|----------------|
| Drive, peripherals, option cards | | | |
| <input type="checkbox"/> | 1 | Check drive model number to ensure receipt of correct model. | 31 |
| <input type="checkbox"/> | 2 | Make sure you have the correct braking resistors, DC reactors, noise filters, and other peripheral devices. | 375 |
| <input type="checkbox"/> | 3 | Check the option card model number. | 375 |
| Installation area and physical setup | | | |
| <input type="checkbox"/> | 4 | Ensure that the area surrounding the drive complies with specifications. | 40 |
| Power supply voltage, output voltage | | | |
| <input type="checkbox"/> | 5 | The voltage from the power supply should be within the input voltage specification range of the drive. | 194 |
| <input type="checkbox"/> | 6 | The voltage rating for the motor should match the drive output specifications. | 29 444 |
| <input type="checkbox"/> | 7 | Verify that the drive is properly sized to run the motor. | 29 444 |
| Main circuit wiring | | | |
| <input type="checkbox"/> | 8 | Confirm proper branch circuit protection as specified by national and local codes. | 54 |
| <input type="checkbox"/> | 9 | Properly wire the power supply to drive terminals R/L1, S/L2, and T/L3. | 56 |
| <input type="checkbox"/> | 10 | Properly wire the drive and motor together. The motor lines and drive output terminals R/T1, V/T2, and W/T3 should match in order to produce the desired phase order. If the phase order is incorrect, the drive will rotate in the opposite direction. | 70 |
| <input type="checkbox"/> | 11 | Use 600 Vac vinyl-sheathed wire for the power supply and motor lines. | 66 |
| <input type="checkbox"/> | 12 | Use the correct wire gauges for the main circuit. <i>Refer to Wire Gauges and Tightening Torque on page 66.</i> <ul style="list-style-type: none"> When using comparatively long motor cable, calculate the amount of voltage drop. <div style="border: 1px solid black; padding: 5px; width: fit-content; margin: 5px 0;"> $\sqrt{3} \times \text{wire resistance } (\Omega/\text{km}) \times \text{cable length (m)} \times \text{motor rated current (A)} \times 10^{-3}$ </div> If the cable between the drive and motor exceeds 50 m, adjust the carrier frequency set to C6-02 accordingly. | 66 66 71 |
| <input type="checkbox"/> | 13 | Properly ground the drive. Review page 71. | 71 |
| <input type="checkbox"/> | 14 | Tightly fasten all terminal screws (control circuit terminals, grounding terminals). <i>Refer to Wire Gauges and Tightening Torque on page 66.</i> | 66 |
| <input type="checkbox"/> | 15 | Set up overload protection circuits when running multiple motors from a single drive. <div style="text-align: center; margin: 10px 0;"> <p style="font-size: small;">MC1 - MCn ... magnetic contactor OL 1 - OLn ... thermal relay</p> </div> <p>Note: Close MC1 through MCn before operating the drive (MC1 through MCn cannot be switched off during run).</p> | - |
| <input type="checkbox"/> | 16 | If using a dynamic braking option, install a magnetic contactor. Properly install the resistor, and ensure that overload protection shuts off the power supply. | 379 |
| <input type="checkbox"/> | 17 | Verify phase advancing capacitors, input noise filters, or ground fault circuit interrupters are NOT installed on the output side of the drive. | - |
| Control circuit wiring | | | |
| <input type="checkbox"/> | 18 | Use twisted-pair line for all drive control circuit wiring. | 72 |
| <input type="checkbox"/> | 19 | Ground the shields of shielded wiring to the GND (⊕) terminal. | 74 |
| <input type="checkbox"/> | 20 | If using a 3-wire sequence, properly set parameters for multi-function contact input terminals S1 through S8, and properly wire control circuits. | - |
| <input type="checkbox"/> | 21 | Properly wire any option cards. | 74 |
| <input type="checkbox"/> | 22 | Check for any other wiring mistakes. Only use a multimeter to check wiring. | - |
| <input type="checkbox"/> | 23 | Properly fasten the control circuit terminal screws in the drive. <i>Refer to Wire Gauges and Tightening Torque on page 66.</i> | 66 |
| <input type="checkbox"/> | 24 | Pick up all wire clippings. | - |
| <input type="checkbox"/> | 25 | Ensure that no frayed wires on the terminal block are touching other terminals or connections. | - |
| <input type="checkbox"/> | 26 | Properly separate control circuit wiring and main circuit wiring. | - |
| <input type="checkbox"/> | 27 | Analog signal line wiring should not exceed 50 m. | - |
| <input type="checkbox"/> | 28 | Safe Disable input wiring should not exceed 30 m. | - |



Start-Up Programming & Operation

This chapter explains the functions of the digital operator and how to program the drive for initial operation.

| | |
|---|------------|
| 4.1 SECTION SAFETY | 86 |
| 4.2 USING THE DIGITAL OPERATOR | 87 |
| 4.3 THE DRIVE AND PROGRAMMING MODES | 91 |
| 4.4 START-UP FLOWCHARTS | 98 |
| 4.5 POWERING UP THE DRIVE | 102 |
| 4.6 APPLICATION SELECTION | 103 |
| 4.7 AUTO-TUNING | 109 |
| 4.8 NO-LOAD OPERATION TEST RUN | 121 |
| 4.9 TEST RUN WITH LOAD CONNECTED | 123 |
| 4.10 VERIFYING PARAMETER SETTINGS AND BACKING UP CHANGES | 124 |
| 4.11 TEST RUN CHECKLIST | 126 |

4.1 Section Safety

 **DANGER**

Electrical Shock Hazard

Do not connect or disconnect wiring while the power is on.

Failure to comply will result in death or serious injury.

 **WARNING**

Electrical Shock Hazard

Do not operate equipment with covers removed.

Failure to comply could result in death or serious injury.

The diagrams in this section may include drives without covers or safety shields to illustrate details. Be sure to reinstall covers or shields before operating the drives and run the drives according to the instructions described in this manual.

Do not remove covers or touch circuit boards while the power is on.

Failure to comply could result in death or serious injury.

A separate holding brake should be prepared by the user.

The holding brake should be wired so that it is activated by an external sequence when a fault occurs, the power is shut off, or an emergency switch is triggered.

Failure to comply could result in death or serious injury.

Precautions should be taken on the machine side in crane and hoist applications to ensure that load does not fall or slip.

Failure to take proper safety precautions can result in serious injury.

4.2 Using the Digital Operator

Use the digital operator to enter run and stop commands, display data, edit parameters, as well as display fault and alarm information.

◆ Keys and Displays

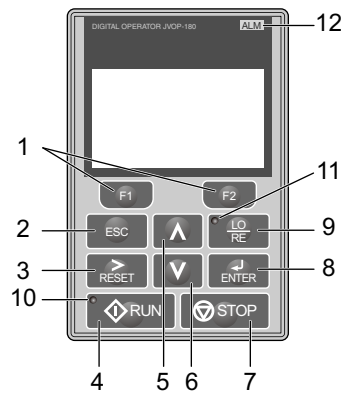















Figure 4.1 Keys and Displays on the Digital Operator

| No. | Display | Name | Function |
|-----|---|--------------------------|---|
| 1 |   | Function Key (F1, F2) | The functions assigned to F1 and F2 vary depending on the menu that is currently displayed. The name of each function appears in the lower half of the display window. |
| 2 |  | ESC Key | <ul style="list-style-type: none"> Returns to the previous display. Moves the cursor one space to the left. Pressing and holding this button will return to the Frequency Reference display. |
| 3 |  | RESET Key | <ul style="list-style-type: none"> Moves the cursor to the right. Resets the drive to clear a fault situation. |
| 4 |  | RUN Key | Starts the drive in the LOCAL mode. The Run LED <ul style="list-style-type: none"> is on, when the drive is operating the motor. flashes during deceleration to stop or when the frequency reference is 0. flashes quickly the drive is disabled by a DI, the drive was stopped using a fast stop DI or a run command was active during power up. |
| 5 |  | Up Arrow Key | Scrolls up to display the next item, selects parameter numbers and increments setting values. |
| 6 |  | Down Arrow Key | Scrolls down to display the next item, selects parameter numbers and increments setting values. |
| 7 |  | STOP Key <1> | Stops drive operation. |
| 8 |  | ENTER Key | <ul style="list-style-type: none"> Enters parameter values and settings. Selects a menu item to move between displays. |
| 9 |  | LO/RE Selection Key <2> | Switches drive control between the operator (LOCAL) and the control circuit terminals (REMOTE). The LED is on when the drive is in the LOCAL mode (operation from keypad). |
| 10 |  | RUN Light | Lit while the drive is operating the motor. Refer to page 89 for details. |
| 11 |  | LO/RE Light | Lit while the operator is selected to run the drive (LOCAL mode). Refer to page 89 for details. |
| 12 |  | ALM LED Light | <i>Refer to ALARM (ALM) LED Displays on page 89.</i> |

<1> The STOP key has highest priority. Pressing the STOP key will always cause the drive to stop the motor, even if a Run command is active at any external Run command source. To disable the STOP key priority, set parameter o2-06 to 0.

<2> The LO/RE key can only switch between LOCAL and REMOTE when the drive is stopped. To disable the LO/RE key to prohibit switching between LOCAL and REMOTE, set parameter o2-01 to 0.

◆ LCD Display

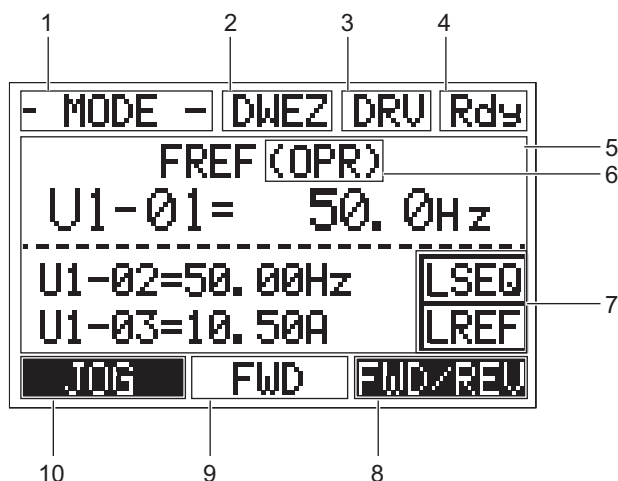


Figure 4.2 LCD Display

Table 4.1 Display and Contents

| No. | Name | Display | Content |
|-----|------------------------------------|---------|---|
| 1 | Operation Mode Menus | MODE | Displayed when in Mode Selection. |
| | | MONITR | Displayed when in Monitor Mode. |
| | | VERIFY | Indicates the Verify Menu. |
| | | PRMSET | Displayed when in Parameter Setting Mode. |
| | | A.TUNE | Displayed during Auto-Tuning. |
| 2 | DriveWorksEZ Function Selection | SETUP | Displayed when in Setup Mode. |
| | | DWEZ | Displayed when the DriveWorksEZ is set to enable. (A1-07=1 or 2) |
| 3 | Mode Display Area | DRV | Displayed when in Drive Mode. |
| | | PRG | Displayed when in Programming Mode. |
| 4 | Ready | Rdy | Indicates the drive is ready to run. |
| 5 | Data Display | – | Displays specific data and operation data. |
| 6 | Frequency Reference Assignment <1> | OPR | Displayed when the frequency reference is assigned to the LCD Operator Option. |
| | | AI | Displayed when the frequency reference is assigned to the drives Analog Input. |
| | | COM | Displayed when the frequency reference is assigned to the drives MEMOBUS/Modbus Communication Inputs. |
| | | OP | Displayed when the frequency reference is assigned to a drive Option Unit. |
| 7 | LO/RE Display <2> | RP | Displayed when the frequency reference is assigned to the drives Pulse Train Input. |
| | | RSEQ | Displayed when the run command is supplied from a remote source. |
| | | LSEQ | Displayed when the run command is supplied from the operator keypad. |
| | | RREF | Displayed when the frequency reference is supplied from a remote source. |
| 8 | Function Key 1 (F1) | LREF | Displayed when the frequency reference is supplied from the operator keypad. |
| | | JOG | Pressing executes the Jog function. |
| | | HELP | Pressing displays the Help menu. |
| | | ← | Pressing scrolls the cursor to the left. |
| | | HOME | Pressing returns to the top menu (Frequency Reference). |
| 9 | FWD/REV | ESC | Pressing returns to the previous display. |
| | | FWD | Indicates forward motor operation. |
| 10 | Function Key 2 (F2) | REV | Indicates reverse motor operation. |
| | | FWD/REV | Pressing switches between forward and reverse. |
| | | DATA | Pressing scrolls to the next display. |
| | | → | Pressing scrolls the cursor to the right. |
| | | RESET | Pressing resets the existing drive fault or error. |

<1> Displayed when in Frequency Reference Mode.

<2> Displayed when in Frequency Reference Mode and Monitor Mode.

◆ ALARM (ALM) LED Displays

Table 4.2 ALARM (ALM) LED Status and Contents

| State | Content | Display |
|-------------|--|---------|
| Illuminated | When the drive detects a fault. | |
| Flashing | <ul style="list-style-type: none"> When an alarm occurs. When oPE is detected. When a fault or error occurs during Auto-Tuning. | |
| Off | Normal operation (no fault or alarm). | |

◆ LO/RE LED and RUN LED Indications

Table 4.3 LO/RE LED and RUN LED Indications

| LED | Lit | Flashing | Flashing Quickly <1> | Off |
|----------|--|--|--|--|
| | When source of the Run command is assigned to the digital operator (LOCAL) | – | – | Run command to be given from a device other than the digital operator (REMOTE) |
| | During run | <ul style="list-style-type: none"> During deceleration to stop When a Run command is input and frequency reference is 0 Hz | <ul style="list-style-type: none"> While the drive is set for LOCAL, a Run command was entered to the input terminals after which the drive was then switched to REMOTE. A Run command was entered via the input terminals while not in the Drive Mode. During deceleration when a Fast Stop command was entered. The drive output is shut off by the Safe Disable function. While the drive was running in the REMOTE mode, the STOP key was pushed. The drive was powered up with b1-17 = 0 (default) while the Run command is active. | During stop |
| Examples | | | | |

<1> Refer to [Figure 4.3](#) for the difference between “flashing” and “flashing quickly”.

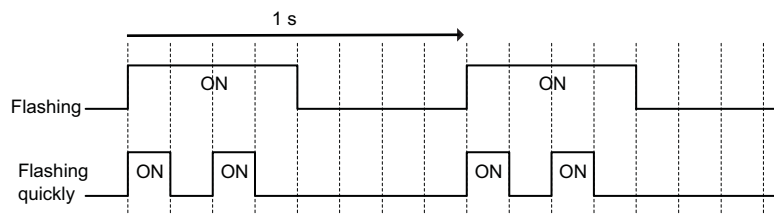


Figure 4.3 RUN LED Status and Meaning

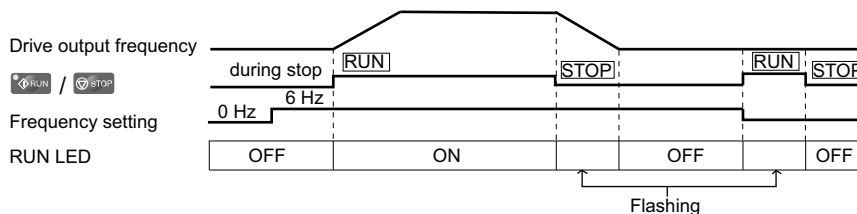


Figure 4.4 RUN LED and Drive Operation

◆ Menu Structure for Digital Operator

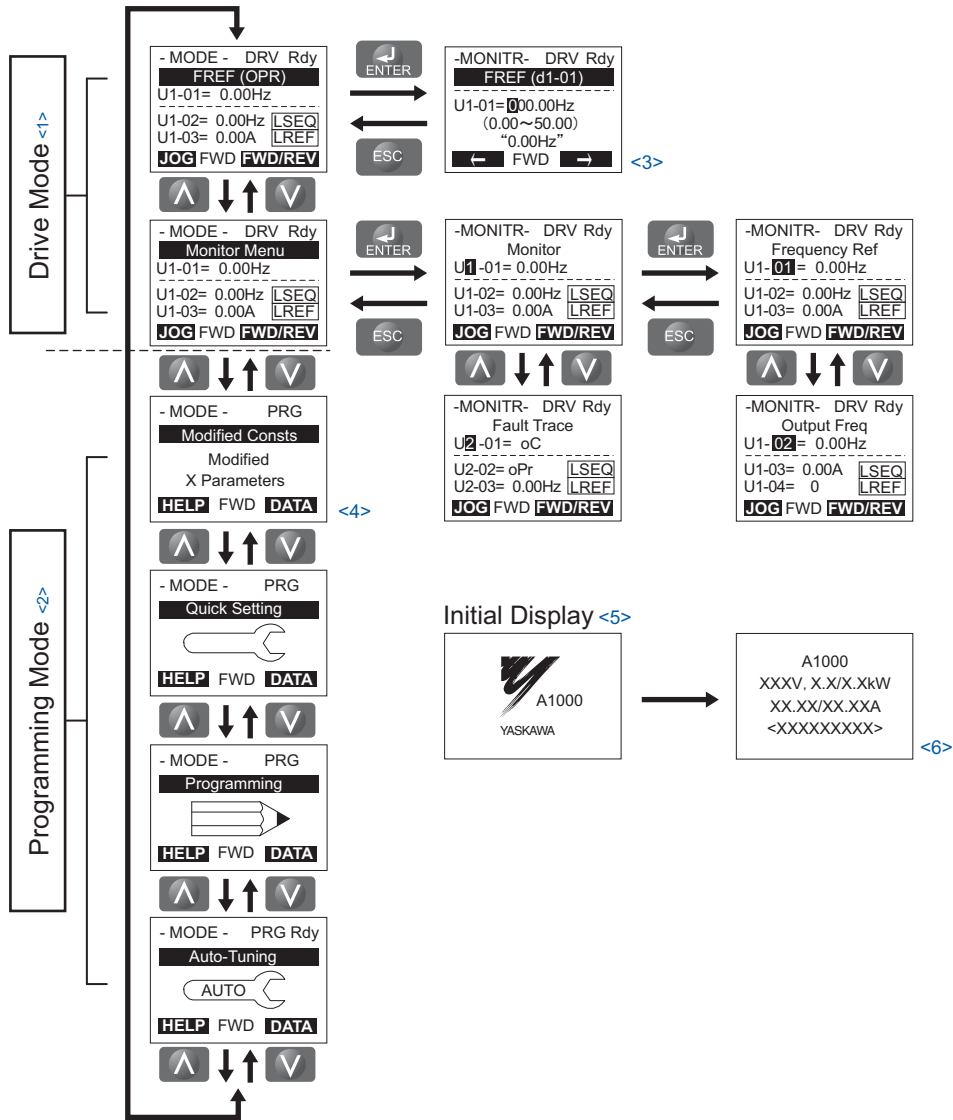



Figure 4.5 Digital Operator Menu and Screen Structure

- <1> Pressing  will start the motor.
- <2> Drive cannot operate the motor.
- <3> Flashing characters are shown as **0**.
- <4> X characters are shown in this manual. The LCD Operator will display the actual setting values.
- <5> The Frequency Reference appears after the initial display which shows the product name.
- <6> The information that appears on the display will vary depending on the drive.

4.3 The Drive and Programming Modes

The drive has a Programming Mode to program the drive for operation, and a Drive Mode used to actually run the motor.



Drive Mode: In the Drive Mode, the user can start the motor and observe operation status with the monitors that are available. Parameter settings cannot be edited or changed when in the Drive Mode.

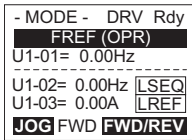

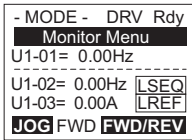

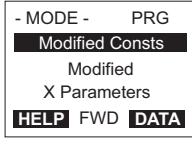

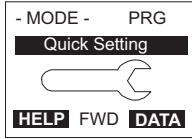

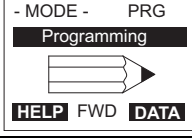
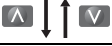
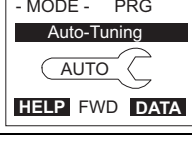

Programming Mode: The Programming Mode allows access to edit, adjust, and verify parameters, as well as perform Auto-Tuning. Unless set to allow a Run command, the drive will not accept a Run command when the digital operator is in the Programming Mode.

Note: If parameter b1-08 is set to 0 the drive will accept a Run command only in the Drive Mode. When editing parameters, the user must first exit the Programming Mode and enter the Drive Mode before starting the motor.

Note: To allow the drive to run the motor while in the Programming Mode, set b1-08 to 1.

◆ Navigating the Drive and Programming Modes

The drive is set to operate in Drive Mode when it is first powered up. Switch between display screens by using the  and  keys.

| Mode | Contents | Operator Display | Description |
|------------------|---|---|---|
| Power Up | Frequency Reference (default) |  | This display screen allows the user to monitor and change the frequency reference while the drive is running. Refer to The Drive and Programming Modes on page 91. Note: The user can select the data displayed when the drive is first powered up with parameter o1-02. |
| | |  | |
| Drive Mode | Monitor Display |  | Lists the monitor parameters (U□-□□ parameters) available in the drive. Press the Enter Key and then use the Up, Down, ESC, and Reset keys to navigate through the drive monitors. |
| | |  | |
| Programming Mode | Verify Menu |  | Lists all parameters that have been edited or changed from default settings. → Refer to Verifying Parameter Changes: Verify Menu on page 94. |
| | |  | |
| | Setup Group |  | A select list of parameters necessary to get the drive operating quickly. → Refer to Using the Setup Group on page 95. Note: Parameters listed in the Setup Group differ depending the Application Preset in parameter A1-06. Refer to Application Selection on page 103. |
| | |  | |
| | Parameter Setting Mode |  | Allows the user to access and edit all parameter settings. → Refer to Parameter Table on page 400. |
| |  | | |
| Programming Mode | Auto-Tuning Mode |  | Motor parameters are calculated and set automatically. → Refer to Auto-Tuning on page 109. |
| | |  | |

4.3 The Drive and Programming Modes

| Mode | Contents | Operator Display | Description |
|------------|---------------------|---|--|
| Drive Mode | Frequency Reference | <pre> -MODE - DRV Rdy FREF (OPR) U1-01= 0.00Hz ----- U1-02= 0.00Hz LSEQ U1-03= 0.00A LREF JOG FWD FWD/REV </pre> | Returns to the frequency reference display screen. |

■ Drive Mode Details

The following actions are possible in the Drive Mode:

- Run and stop the drive
- Monitor the operation status of the drive (frequency reference, output frequency, output current, output voltage, etc.)
- View information on an alarm
- View a history of alarms that have occurred

Figure 4.6 illustrates how to change the frequency reference from F 0.00 (0 Hz) to F 6.00 (6 Hz) while in the Drive Mode. This example assumes the drive is set to LOCAL.

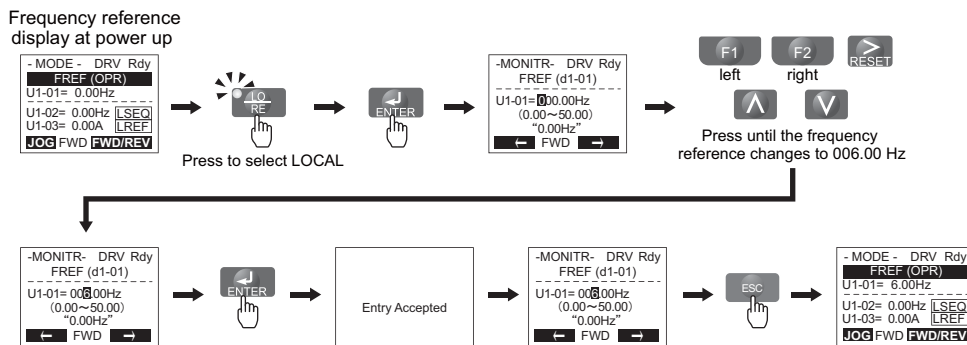


Figure 4.6 Setting the Frequency Reference while in the Drive Mode

Note: The drive will not accept a change to the frequency reference until the ENTER key is pressed after the frequency reference is entered. This feature prevents accidental setting of the frequency reference. To have the drive accept changes to the frequency reference as soon as changes are made without requiring the ENTER key, set o2-05 to 1.



■ Programming Mode Details

The following actions are possible in the Programming Mode:

- **Parameter Setting Mode:** Access and edit all parameter settings
- **Verify Menu:** Check a list of parameters that have been changed from their original default values
- **Setup Group:** Access a list of commonly used parameters to simplify setup (see [Simplified Setup Using the Setup Group on page 95](#))
- **Auto-Tuning Mode:** Automatically calculates and sets motor parameters to optimize drive performance

◆ Changing Parameter Settings or Values

This example explains changing C1-02 (Deceleration Time 1) from 10.0 seconds (default) to 20.0 seconds.

| Step | Display/Result |
|--|---|
| 1. Turn on the power to the drive. The initial display appears. | <pre> -MODE - DRV Rdy FREF (OPR) U1-01= 0.00Hz ----- U1-02= 0.00Hz LSEQ U1-03= 0.00A LREF JOG FWD FWD/REV </pre> |
| 2. Press the  or  key until the Parameter Setting Mode screen appears. | <pre> -MODE - PRG Programming ----- HELP FWD DATA </pre> |

| Step | | Display/Result |
|------|--|----------------|
| 3. | Press the key to enter the parameter menu tree. | |
| 4. | Press or key to select the C parameter group. | |
| 5. | Press two times. | |
| 6. | Press or key to select the parameter C1-02. | |
| 7. | Press to view the current setting value (10.0 s). Left digit flashes. | |
| 8. | Press , or until the desired number is selected. "1" flashes. | |
| 9. | Press the key and enter 0020.0. | |
| 10. | Press and the drive will confirm the change. | |
| 11. | The display automatically returns to the screen shown in Step 4. | |
| 12. | Press the key until back at the initial display. | |

4.3 The Drive and Programming Modes







◆ Verifying Parameter Changes: Verify Menu

The Verify Menu lists edited parameters from the Programming Mode or as a result of Auto-Tuning. It helps determine which settings have been changed, and is particularly useful when replacing a drive. If no settings have been changed, the Verify Menu will read “None”. The Verify Menu also allows users to quickly access and re-edit any parameters settings that have been changed.

Note: The Verify Menu will not display parameters from the A1 group (except for A1-02) even if those parameters have been changed from their default settings.

The following example is a continuation of the steps above. Here, parameter C1-02 is accessed using the Verify Menu, and is changed again from 10.0 s to 20.0 s.

To check the list of edited parameters:

| Step | | | Display/Result |
|------|--|---|---|
| 1. | Turn on the power to the drive. The initial display appears. | → | <pre> - MODE - DRV Rdy FREE (OPR) U1-01= 0.00Hz ----- U1-02= 0.00Hz [LSEQ] U1-03= 0.00A [LREF] JOG FWD FWD/REV </pre> |
| 2. | Press  or  until the display shows the top of the Verify Menu. | → | <pre> - MODE - PRG Modified Consts Modified X Parameters HELP FWD DATA </pre> |
| 3. | Press  to enter the list of parameters that have been edited from their original default settings. If parameters other than C1-02 have been changed, use the  or  key to scroll until C1-02 appears. | → | <pre> - VERIFY - PRG Rdy Accel Time 1 C1-02 = 20.0sec (0.0-6000.0) "10.0sec" Home FWD DATA </pre> |
| 4. | Press the  key to access the setting value. Left digit flashes. | → | <pre> - VERIFY - PRG Rdy Accel Time 1 C1-01=020.0sec (0.0-6000.0) "10.0sec" Home FWD DATA </pre> |

◆ Simplified Setup Using the Setup Group

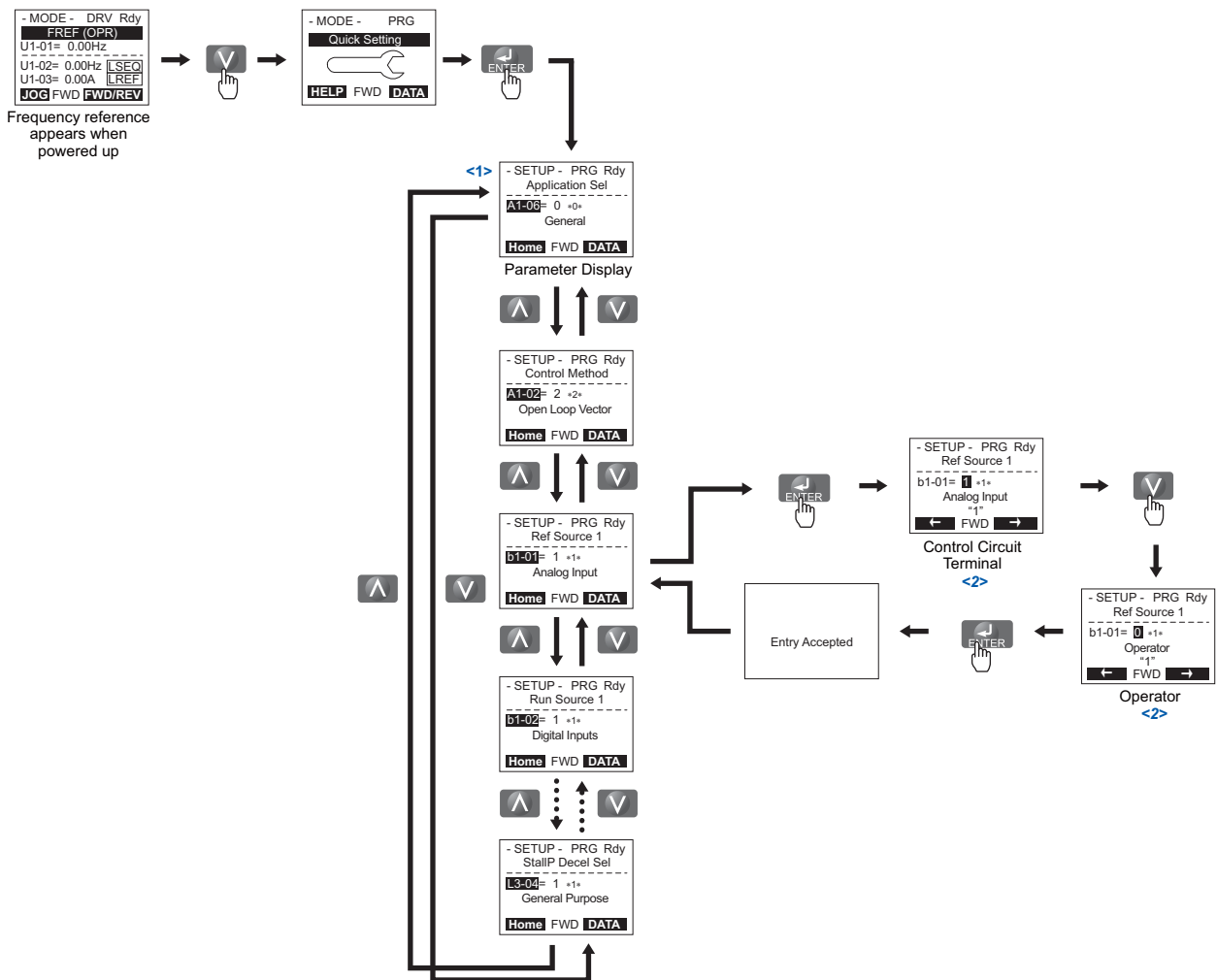
In the Setup Group, the drive lists the basic parameters needed to set up the drive for the application. It provides a simplified way to get the application running right away by showing only the most important parameters.

■ Using the Setup Group

Figure 4.7 illustrates how to enter and how to change parameters in the Setup Group.

The first display shown when entering the Setup Group is the Application Selection menu. Skipping this display will keep the current Setup Group parameter selection. The default setting for the Setup Group is a group of parameters most commonly use in general-purpose applications. Pressing the ENTER key from the Application Selection display and selecting an Application Preset will change the Setup Group to parameters optimal for the application selected. Refer to Application Selection on page 103.

In this example, the Setup Group is accessed to change b1-01 from 1 to 0. This changes the source of the frequency reference from the control circuit terminals to the digital operator.



<1> Use the up and down arrow keys to scroll through the Setup Group. Press the ENTER key to view or change parameter settings.
 <2> To return to the previous menu without saving changes, press the ESC key.

Figure 4.7 Setup Group Example

4.3 The Drive and Programming Modes

■ Setup Group Parameters

Table 4.4 lists parameters available by default in the Setup Group. When an Application Preset has been selected in parameter A1-06 or the Application Selection display of the Setup Group, the parameters selected for the Setup Group will change automatically. Refer to *Application Selection on page 103*.

If the desired parameter is not listed in the Setup Group, go to the Programming Mode.

Table 4.4 Setup Group Parameters

| Parameter | Name |
|-----------|---------------------------------|
| A1-02 | Control Method Selection |
| b1-01 | Frequency Reference Selection 1 |
| b1-02 | Run Command Selection 1 |
| b1-03 | Stopping Method Selection |
| C1-01 | Acceleration Time 1 |
| C1-02 | Deceleration Time 1 |
| C6-01 | Drive Duty Mode Selection |
| C6-02 | Carrier Frequency Selection |
| d1-01 | Frequency Reference 1 |
| d1-02 | Frequency Reference 2 |
| d1-03 | Frequency Reference 3 |
| d1-04 | Frequency Reference 4 |
| d1-17 | Jog Frequency Reference |
| E1-01 | Input Voltage Setting |
| E1-04 | Maximum Output Frequency |
| E1-05 | Maximum Voltage |
| E1-06 | Base Frequency |

| Parameter | Name |
|-----------|--|
| E1-09 | Minimum Output Frequency |
| E1-13 | Base Voltage |
| E2-01 | Motor Rated Current |
| E2-11 | Motor Rate Power |
| E5-01 | Motor Code Selection |
| E5-02 | Motor Rated Power |
| E5-03 | Motor Rated Current |
| E5-04 | Number of Motor Poles |
| E5-05 | Motor Stator Resistance |
| E5-06 | Motor d-Axis Inductance |
| E5-07 | Motor q-Axis Inductance |
| E5-09 | Motor Induction Voltage Constant 1 |
| E5-24 | Motor Induction Voltage Constant 2 |
| H4-02 | Multi-Function Analog Output Terminal FM Gain |
| H4-05 | Multi-Function Analog Output Terminal AM Gain |
| L1-01 | Motor Overload Protection Function Selection |
| L3-04 | Stall Prevention Selection during Deceleration |

Note: Parameter availability depends on the control mode set in A1-02 that is used to run the drive and motor. Consequently, some of the parameters listed above may not be accessible in certain control modes.

◆ Switching Between LOCAL and REMOTE






When the drive is set to accept the Run command from the digital operator RUN key, this is referred to as LOCAL mode. When the drive is set to accept the Run command from an external device (via the input terminals, serial communications, etc.) this is referred to as REMOTE mode.

WARNING! Sudden Movement Hazard. The drive may start unexpectedly if the Run command is already applied when switching from LOCAL mode to REMOTE mode when b1-07 = 1, resulting in death or serious injury. Be sure all personnel are clear of rotating machinery.

The operation can be switched between LOCAL and REMOTE either by using the LO/RE key on the digital operator or a digital input.

- Note:**
1. After selecting LOCAL, the LO/RE light will remain lit.
 2. The drive will not allow the user to switch between LOCAL and REMOTE during run.

■ Using the LO/RE Key on the Digital Operator

| Step | Display/Result |
|---|--|
| 1. Turn on the power to the drive. The initial display appears. |  |
| 2. Press  . The LO/RE light will light up. The drive is now in LOCAL. To set the drive for REMOTE operation, press the  key again. |   |

■ Using Input Terminals S1 through S8 to Switch between LO/RE

The user can also switch between LOCAL and REMOTE modes using one of the digital input terminals S1 through S8 (set the corresponding parameter H1-□□ to “1”).

When setting the multi-function input terminals,

- Note:**
1. *Refer to Parameter Table on page 400* for a list of digital input selections.
 2. Setting H1-□□ to 1 disables the LO/RE key on the digital operator.

4.4 Start-Up Flowcharts

The flowcharts in this section summarize basic steps required to start the drive. Use the flowcharts to determine the most appropriate start-up method for a given application. The charts are intended as a quick reference to help familiarize the user with start-up procedures.

| Flowchart | Subchart | Objective | Page |
|-----------|----------|---|------|
| A | – | Basic startup procedure and motor tuning | 98 |
| – | A-1 | Simple motor setup using V/f mode | 99 |
| | A-2 | High-performance operation using Open Loop Vector (OLV) or Closed Loop Vector (CLV) motor control | 100 |
| | A-3 | Setting up the drive to run a permanent magnet (PM) motor | 101 |

Note: To set up the drive using one of the Application Presets, refer to [Application Selection on page 103](#).

◆ Flowchart A: Basic Start-up and Motor Tuning

Flowchart A in [Figure 4.8](#) describes a basic start-up sequence. This sequence varies slightly depending on the application. Use drive default parameter settings in simple applications that do not require high precision.

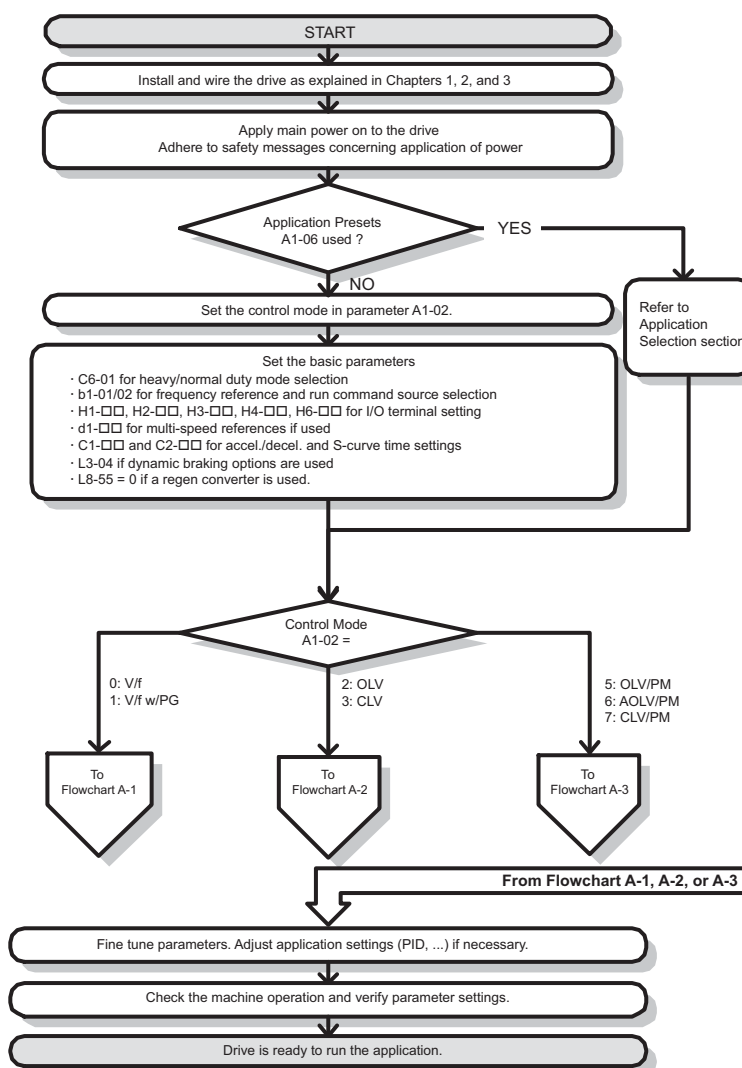


Figure 4.8 Basic Start-up

Note: When the motor cable length has changed for more than 50 m after Auto-Tuning has been performed (e.g., after the drive has been set up and then later installed in a different location), execute Stationary Auto-Tuning for resistance between motor lines once the drive is installed in its final installation location.

Note: Auto-Tuning should be performed again after installing an AC reactor or other such components to the output side of the drive.

◆ Subchart A-1: Simple Motor Setup Using V/f Control

Flowchart A1 in *Figure 4.9* describes simple motor setup for V/f Control, with or without PG feedback. V/f Control is suited for more basic applications such as fans and pumps. This procedure illustrates Energy Savings and Speed Estimation Speed Search.

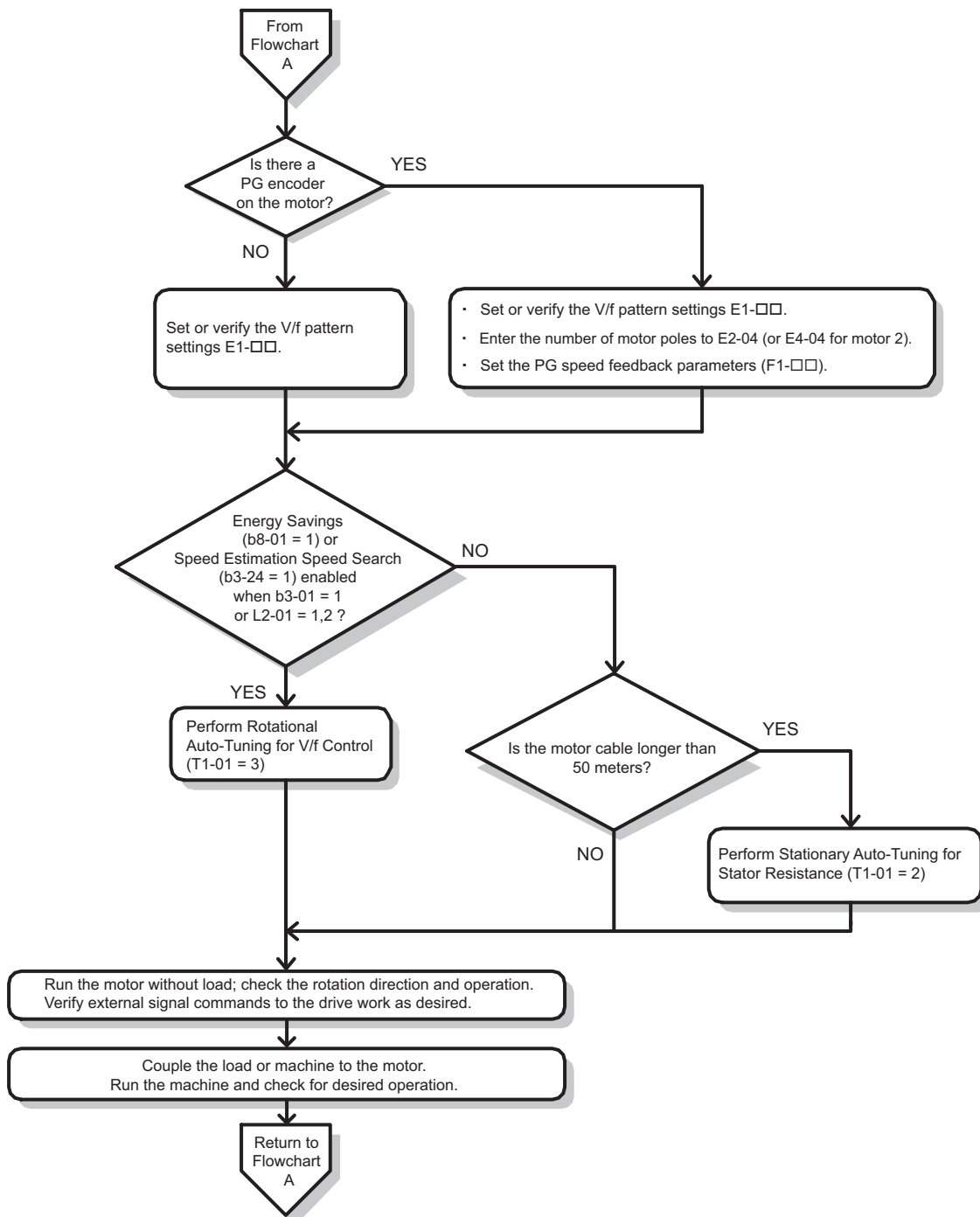
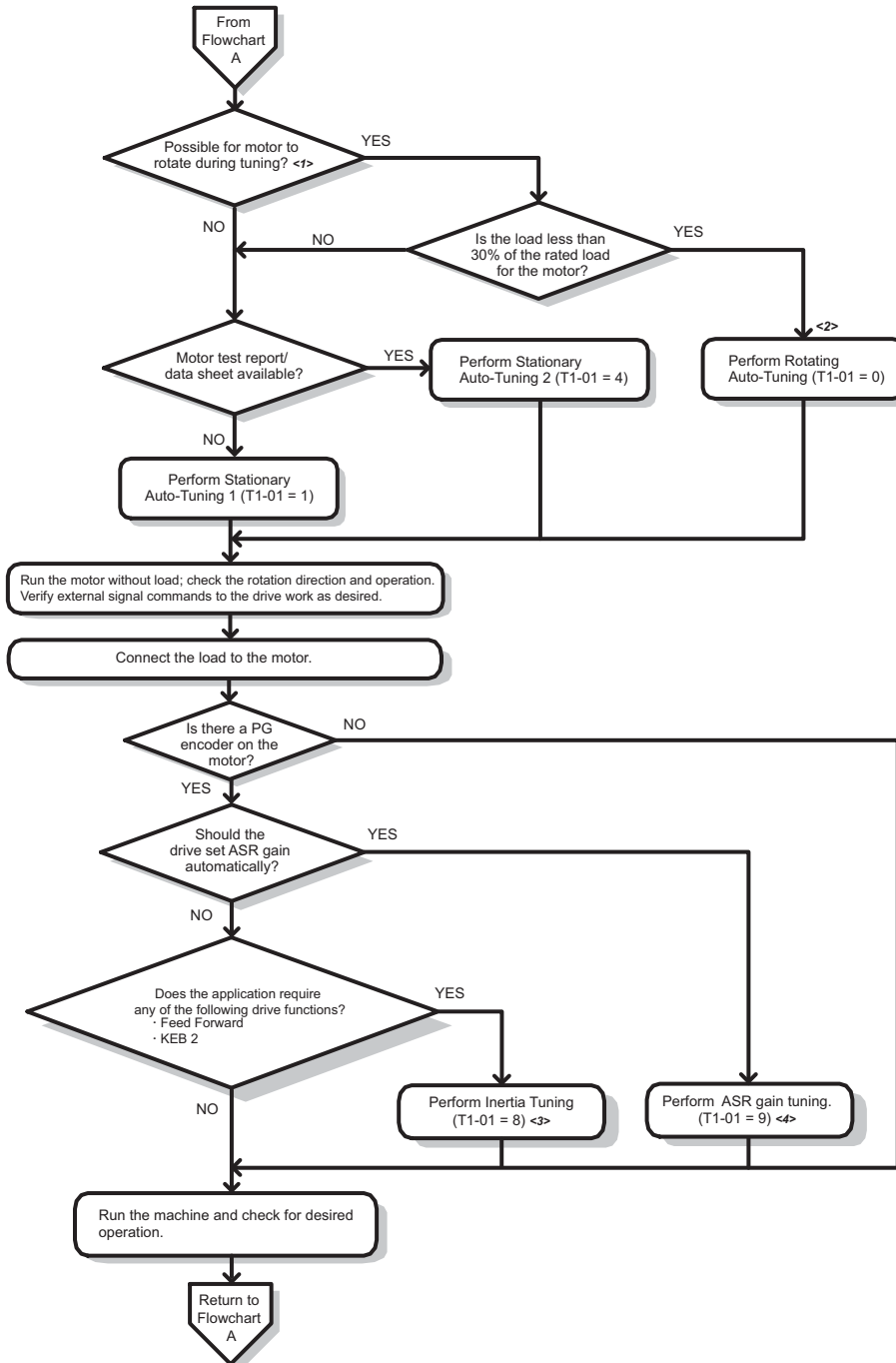


Figure 4.9 Simple Motor Setup with Energy Savings or Speed Search

◆ Subchart A-2: High Performance Operation Using OLV or CLV

Flowchart A2 in *Figure 4.10* describes the setup procedure for high-performance with Open Loop Vector Control or Closed Loop Vector Control. Appropriate for applications requiring high starting torque and torque limits.

Note: Although the drive sets parameters for the PG encoder during Auto-Tuning, sometimes the direction of the motor and direction of the PG get reversed. Use parameter F1-05 to switch the direction of the PG so that it matches the motor direction.



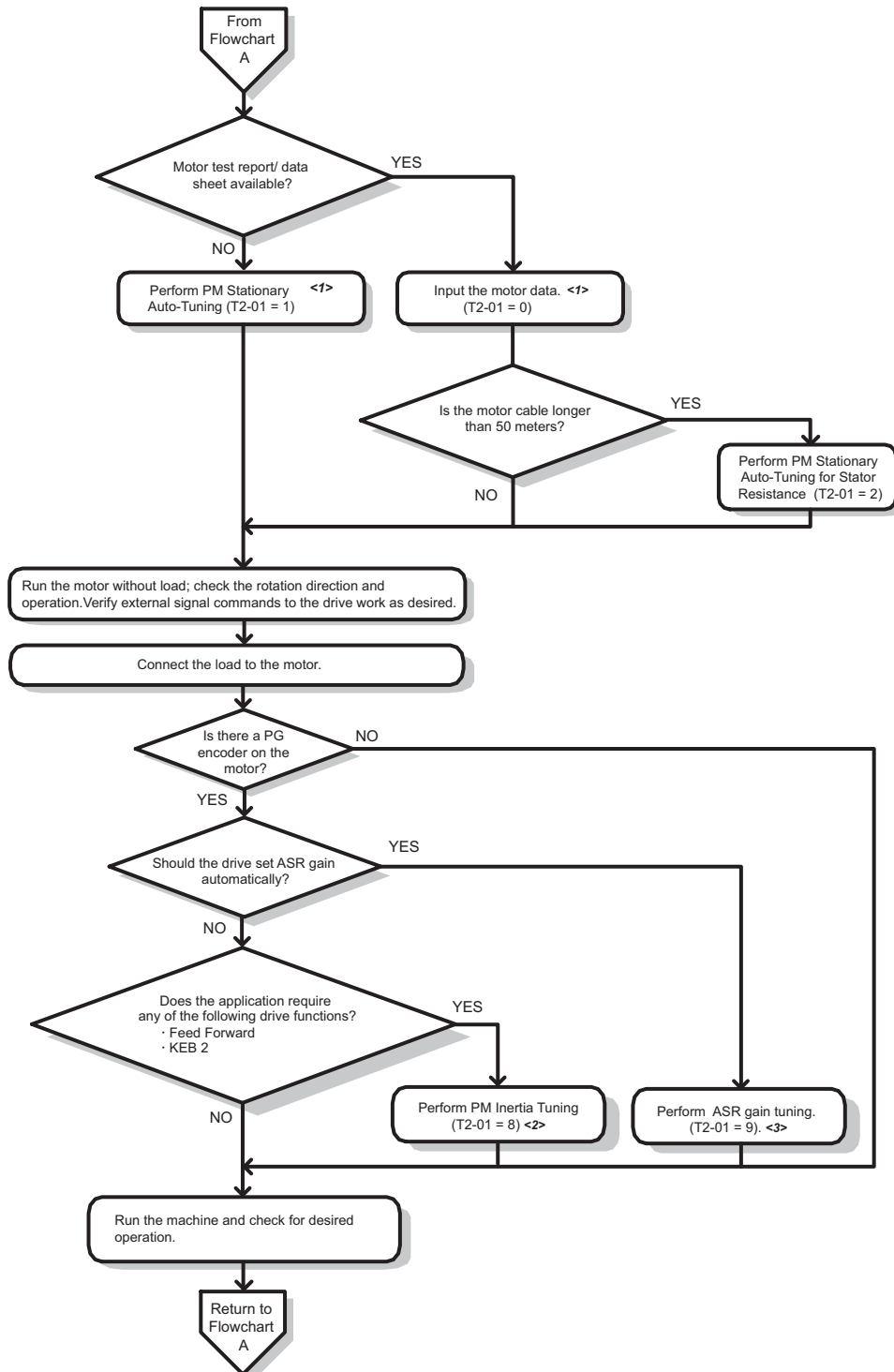
- <1> The load must be decoupled from the motor to properly perform Rotational Auto-Tuning.
- <2> Rotational Auto-Tuning can still be performed if the load is 30% or less, though Stationary Auto-Tuning will probably yield better control performance.
- <3> Make sure the motor and load can run freely, i.e., if a brake is mounted, make sure it is released.
- <4> ASR Gain Tuning automatically performs Inertia Tuning and sets parameters related to Feed Forward and the KEB Ride-Through function.

Figure 4.10 Flowchart A2: High Performance Operation Using OLV or CLV

◆ Subchart A-3: Operation with Permanent Magnet Motors

Flowchart A3 in [Figure 4.11](#) describes the set-up procedure for running a PM motor in Open Loop Vector Control. PM motors can be used for more energy-efficient operation in reduced or variable torque applications.

- Note:**
1. Although the drive sets parameters for the PG encoder during Auto-Tuning, sometimes the direction of the motor and direction of the PG get reversed. Use parameter F1-05 to switch the direction of the PG so that it matches the motor direction.
 2. The Z pulse must be realigned if the PG encoder is replaced. Set T2-01 to 3 to recalibrate the drive for the new encoder.



<1> Enter the motor code to E5-01 when using a Yaskawa PM motor (SMRA Series, SSR1 Series, and SST4 Series). If using a motor from another manufacturer, enter FFFF.

<2> Make sure the motor and load can run freely, i.e., if a brake is mounted, make sure it is released.

<3> ASR Gain Tuning automatically performs Inertia Tuning and sets parameters related to Feed Forward and the KEB Ride-Thru function.

Figure 4.11 Operation with Permanent Magnet Motors

4.5 Powering Up the Drive

◆ Powering Up the Drive and Operation Status Display

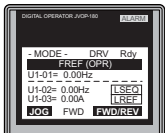
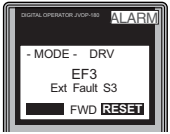
■ Powering Up the Drive

Review the following checklist before turning the power on.

| Item to Check | Description |
|--|---|
| Power supply voltage | Ensure the power supply voltage is correct: 200 V class: 3-phase 200 to 240 Vac 50/60 Hz 400 V class: 3-phase 380 to 480 Vac 50/60 Hz |
| | Properly wire the power supply input terminals (R/L1, S/L2, T/L3). |
| | Check for proper grounding of drive and motor. |
| Drive output terminals and motor terminals | Properly wire drive output terminals U/T1, V/T2, and W/T3 with motor terminals U, V, and W. |
| Control circuit terminals | Check control circuit terminal connections. |
| Drive control terminal status | Open all control circuit terminals (off). |
| Status of the load and connected machinery | Decouple the motor from the load. |

■ Status Display

When the power supply to the drive is turned on, the digital operator lights will appear as follows:

| No. | Name | Description |
|------------------|---|--|
| Normal Operation |  | The data display area displays the frequency reference. [DRV] is lit. |
| Fault |  <p>External fault (example)</p> | Data displayed varies by the type of fault. Refer to Fault Displays, Causes, and Possible Solutions on page 306 for more information and possible solution. [ALM] and [DRV] are lit. |

4.6 Application Selection

Several Application Presets are available to facilitate drive setup for commonly used applications. Selecting one of these Application Presets automatically assigns functions to the input and output terminals, and sets certain parameters to values appropriate for the application that was selected. In addition, the parameters most likely to be changed are assigned to the group of User Parameters, A2-01 through A2-16. User Parameters are part of the Setup Group, and provide quicker access to by eliminating the need to scroll through multiple menus.

An Application Preset can either be selected from the Application Selection display in the Setup Group (*Refer to Simplified Setup Using the Setup Group on page 95*) or in parameter A1-06. The following presets can be selected:

Note: An Application Preset can only be selected if all drive parameters are on at their original default settings. It may be necessary to initialize the drive by setting A1-03 to “2220” or “3330” prior to selecting an Application Preset.

WARNING! Confirm the drive I/O signals and external sequence before performing a test run. Setting parameter A1-06 may change the I/O terminal function automatically from the default setting. Failure to comply may result in death or serious injury.

| No. | Parameter Name | Setting Range | Default |
|-------|---------------------|--|---------|
| A1-06 | Application Presets | 0: Disabled 1: Water supply pump 2: Conveyor 3: Exhaust fan 4: HVAC 5: Compressor 6: Hoist 7: Crane | 0 |

◆ Setting 1: Water Supply Pump Application

Table 4.5 Water Supply Pump: Parameter Settings

| No. | Name | Default Setting |
|-------|--|-----------------------|
| A1-02 | Control Method Selection | 0: V/f Control |
| b1-04 | Reverse Operation Selection | 1: Reverse Prohibited |
| C1-01 | Acceleration Time 1 | 1.0 s |
| C1-02 | Deceleration Time 1 | 1.0 s |
| C6-01 | Duty Rating | 1: Normal Duty |
| E1-03 | V/f Pattern Selection | 0FH |
| E1-07 | Mid Output Frequency | 30.0 Hz |
| E1-08 | Mid Output Frequency Voltage | 50.0 V |
| L2-01 | Momentary Power Loss Operation Selection | 1: Enabled |
| L3-04 | Stall Prevention Selection during Deceleration | 1: Enabled |

Table 4.6 Water Supply Pump: User Parameters (A2-01 to A2-16)

| No. | Parameter Name | No. | Parameter Name |
|-------|-------------------------------|-------|---|
| b1-01 | Frequency Reference Selection | E1-08 | Mid Output Frequency Voltage |
| b1-02 | Run Command Selection | E2-01 | Motor Rated Current |
| b1-04 | Reverse Operation Selection | H1-05 | Multi-Function Digital Input Terminal S5 Function Selection |
| C1-01 | Acceleration Time 1 | H1-06 | Multi-Function Digital Input Terminal S6 Function Selection |
| C1-02 | Deceleration Time 1 | H1-07 | Multi-Function Digital Input Terminal S7 Function Selection |
| E1-03 | V/f Pattern Selection | L5-01 | Number of Auto Restart Attempts |
| E1-07 | Mid Output Frequency | – | – |

◆ Setting 2: Conveyor Application

Table 4.7 Conveyor: Parameter Settings

| No. | Parameter Name | Default Setting |
|-------|--|-----------------|
| A1-02 | Control Method Selection | 0: V/f Control |
| C1-01 | Acceleration Time 1 | 3.0 s |
| C1-02 | Deceleration Time 1 | 3.0 s |
| C6-01 | Duty Rating | 0: Heavy Duty |
| L3-04 | Stall Prevention Selection during Deceleration | 1: Enabled |

4.6 Application Selection

Table 4.8 Conveyor: User Parameters (A2-01 to A2-16)

| No. | Parameter Name | No. | Parameter Name |
|-------|-------------------------------|-------|--|
| A1-02 | Control Method Selection | C1-02 | Deceleration Time 1 |
| b1-01 | Frequency Reference Selection | E2-01 | Motor Rated Current |
| b1-02 | Run Command Selection | L3-04 | Stall Prevention Selection during Deceleration |
| C1-01 | Acceleration Time 1 | – | – |

◆ Setting 3: Exhaust Fan Application

Table 4.9 Exhaust Fan: Parameter Settings

| No. | Parameter Name | Default Setting |
|-------|--|-----------------------|
| A1-02 | Control Method Selection | 0: V/f Control |
| b1-04 | Reverse Operation Selection | 1: Reverse Prohibited |
| C6-01 | Duty Selection | 1: Normal Duty |
| E1-03 | V/f Pattern Selection | 0FH |
| E1-07 | Mid Output Frequency | 30.0 Hz |
| E1-08 | Mid Output Frequency Voltage | 50.0 V |
| L2-01 | Momentary Power Loss Operation Selection | 1: Enabled |
| L3-04 | Stall Prevention Selection during Deceleration | 1: Enabled |

Table 4.10 Exhaust Fan: User Parameters (A2-01 to A2-16)

| No. | Parameter Name | No. | Parameter Name |
|-------|---------------------------------|-------|---|
| b1-01 | Frequency Reference Selection | E1-07 | Mid Output Frequency |
| b1-02 | Run Command Selection | E1-08 | Mid Output Frequency Voltage |
| b1-04 | Reverse Operation Selection | E2-01 | Motor Rated Current |
| b3-01 | Speed Search Selection at Start | H1-05 | Multi-Function Digital Input Terminal S5 Function Selection |
| C1-01 | Acceleration Time 1 | H1-06 | Multi-Function Digital Input Terminal S6 Function Selection |
| C1-02 | Deceleration Time 1 | H1-07 | Multi-Function Digital Input Terminal S7 Function Selection |
| E1-03 | V/f Pattern Selection | L5-01 | Number of Auto Restart Attempts |

◆ Setting 4: HVAC Fan Application

Table 4.11 HVAC Fan: Parameter Settings

| No. | Parameter Name | Default Setting |
|-------|--|--|
| A1-02 | Control Method Selection | 0: V/f Control |
| b1-04 | Reverse Operation Selection | 1: Reverse Prohibited |
| b1-17 | Run Command at Power Up | 1: Run command issued, motor operation start |
| C6-01 | Duty Rating | 1: Normal Duty |
| C6-02 | Carrier Frequency Selection | 3: 8.0 kHz |
| H2-03 | Terminals P2 Function Selection | 39: Watt Hour Pulse Output |
| L2-01 | Momentary Power Loss Operation Selection | 2: CPU Power Active - Drive will restart if power returns prior to control power supply shut down. |
| L8-03 | Overheat Pre-Alarm Operation Selection | 4: Operation at lower speed |
| L8-38 | Carrier Frequency Reduction | 2: Enabled across entire frequency range. |

Table 4.12 HVAC Fan: User Parameters (A2-01 to A2-16)

| No. | Parameter Name | No. | Parameter Name |
|-------|---------------------------------|-------|--|
| b1-01 | Frequency Reference Selection | d2-02 | Frequency Reference Lower Limit |
| b1-02 | Run Command Selection | E1-03 | V/f Pattern Selection |
| b1-03 | Stopping Method Selection | E1-04 | Max Output Frequency |
| b1-04 | Reverse Operation Selection | E2-01 | Motor Rated Current |
| C1-01 | Acceleration Time 1 | H3-11 | Terminal A2 Gain Setting |
| C1-02 | Deceleration Time 1 | H3-12 | Terminal A2 Input Bias |
| C6-02 | Carrier Frequency Selection | L2-01 | Momentary Power Loss Operation Selection |
| d2-01 | Frequency Reference Upper Limit | o4-12 | kWh Monitor Initial Value Selection |

◆ Setting 5: Compressor Application

Table 4.13 Compressor: Parameter Settings

| No. | Parameter Name | Default Setting |
|-------|--|-----------------------|
| A1-02 | Control Method Selection | 0: V/f Control |
| b1-04 | Reverse Operation Selection | 1: Reverse Prohibited |
| C1-01 | Acceleration Time 1 | 5.0 s |
| C1-02 | Deceleration Time 1 | 5.0 s |
| C6-01 | Duty Rating | 0: Heavy Duty |
| E1-03 | V/f Pattern Selection | 0FH |
| L2-01 | Momentary Power Loss Operation Selection | 1: Enabled |
| L3-04 | Stall Prevention Selection during Deceleration | 1: Enabled |

Table 4.14 Compressor: User Parameters (A2-01 to A2-16):

| No. | Parameter Name | No. | Parameter Name |
|-------|-------------------------------|-------|------------------------------|
| b1-01 | Frequency Reference Selection | E1-03 | V/f Pattern Selection |
| b1-02 | Run Command Selection | E1-07 | Mid Output Frequency |
| b1-04 | Reverse Operation Selection | E1-08 | Mid Output Frequency Voltage |
| C1-01 | Acceleration Time 1 | E2-01 | Motor Rated Current |
| C1-02 | Deceleration Time 1 | – | – |

◆ Setting 6: Hoist Application

- Note:**
1. Read the instructions listed on page 106 when using Hoist Application Preset
 2. Perform Auto-Tuning after selecting the Hoist Application Preset.

Table 4.15 Hoist: Parameters and Settings

| No. | Parameter Name | Default Setting |
|-------|---|------------------------------|
| A1-02 | Control Method Selection | 2: Open Loop Vector Control |
| b1-01 | Frequency Reference Selection | 0: Operator |
| b6-01 | Dwell Reference at Start | 3.0 Hz |
| b6-02 | Dwell Time at Start | 0.3 s |
| C1-01 | Acceleration Time 1 | 3.0 s |
| C1-02 | Deceleration Time 1 | 3.0 s |
| C6-01 | Duty Rating | 0: Heavy Duty |
| C6-02 | Carrier Frequency Selection | 2: 5 kHz |
| d1-01 | Frequency Reference 1 | 6.0 Hz |
| d1-02 | Frequency Reference 2 | 30.0 Hz |
| d1-03 | Frequency Reference 3 | 50.0 Hz |
| E1-03 | V/f Pattern Selection | 0FH |
| H2-01 | Terminals M1-M2 Function Selection | 5: Frequency Detection 2 |
| H2-02 | Terminals M3-M4 Function Selection | 37: During Frequency Output |
| L2-03 | Momentary Power Loss Minimum Baseblock Time | 0.3 s |
| L3-04 | Momentary Power Loss Voltage Recovery Ramp Time | 0: Disabled |
| L4-01 | Speed Agreement Detection Level | 2.0 Hz |
| L4-02 | Speed Agreement Detection Width | 0.0 Hz |
| L6-01 | Torque Detection Selection 1 | 8: UL3 at RUN - Fault |
| L6-02 | Torque Detection Level 1 | 2% |
| L6-03 | Torque Detection Time 1 | 0.5 s |
| L8-05 | Input Phase Loss Protection Selection | 1: Enabled |
| L8-07 | Output Phase Loss Protection | 1: Enabled |
| L8-38 | Carrier Frequency Reduction | 1: Enabled below 6 Hz |
| L8-41 | Current Alarm Selection | 1: Enabled (alarm is output) |

Table 4.16 Hoist: User Parameters (A2-01 to A2-16):

| No. | Parameter Name | No. | Parameter Name |
|-------|-------------------------------|-------|-------------------------------------|
| A1-02 | Control Method Selection | d1-02 | Frequency Reference 2 |
| b1-01 | Frequency Reference Selection | d1-03 | Frequency Reference 3 |
| b6-01 | Dwell Reference at Start | E1-08 | Mid Output Frequency Voltage |
| b6-02 | Dwell Time at Start | H2-01 | Terminals M1-M2 Function Selection |
| C1-01 | Acceleration Time 1 | L1-01 | Motor Overload Protection Selection |
| C1-02 | Deceleration Time 1 | L4-01 | Speed Agreement Detection Level |
| C6-02 | Carrier Frequency Selection | L6-02 | Torque Detection Level 1 |
| d1-01 | Frequency Reference 1 | L6-03 | Torque Detection Time 1 |

◆ Notes on Controlling the Brake when Using the Hoist Application Preset

■ Prevent accidental Brake Release during Baseblock

The hoist application selection uses the frequency detection function for controlling the brake.

Although the drive output will be shut off, the drive still maintains the frequency reference if the Run command remains active when an external Baseblock command is given (H1-□□ = 8 or 9). Disable the frequency detection during baseblock by setting parameter L4-07 = 0 to prevent the brake remaining open while the drive is in baseblock.

■ Controlling the Brake in Closed Loop Vector Control

For hoist applications using Closed Loop Vector Control, Yaskawa recommends setting the “During frequency output” signal to a digital output (H2-01 = 37 for terminal M1-M2) in order to control the brake. This way, the brake will always close during baseblock, and the setting of parameter L4-07 as described above will not affect brake control.

■ Brake Control During Safe Disable Input

If the Safe Disable input is triggered, the drive output will shut off and the frequency reference will reset to 0. The brake will also close, regardless if the Run command is active. The Run command must be cycled before the drive can restart.

■ Related Parameter Settings

The table below shows the parameter settings needed when using output terminals M1-M2 as brake control output.

| Function | Parameter | Setting | Comment |
|---|-----------|-------------------|--|
| Frequency Detection 2 Digital Output (for brake control) | H2-01 | 5 | Use this setup for V/f control modes or Open Loop Vector control |
| Speed Agreement Detection Level (frequency for the brake to open) | L4-01 | 1.0 to 3.0 Hz <1> | |
| Speed Agreement Width (bandwidth for the brake to close) | L4-02 | 0.0 to 0.5 Hz <2> | |
| Frequency Detection during Baseblock | L4-07 | 0 | |
| DC Injection Braking Start Frequency (frequency for the brake to close) | b2-01 | 0.1 to 0.5 Hz | Use this setup in Closed Loop Vector control for IM or PM motors |
| During Frequency Output | H2-01 | 37 | |

<1> This is the setting recommended when using Open Loop Vector Control. If using V/f Control, set the level as the motor rated slip frequency plus 0.5 Hz. Not enough motor torque will be created if this value is set too low, and the load may tend to slip. Make sure this value is greater than the minimum output frequency and greater than the value of L4-02, as shown in the diagram below. If set too high, however, there may be a jolt at start.

<2> Hysteresis for Frequency detection 2 can be adjusted by the Frequency detection width (L4-02) between 0.0 and 0.5 Hz. If the load slips during stop, make changes in steps of 0.1 Hz until the load no longer slips.

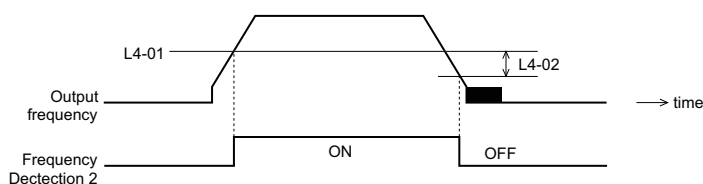


Figure 4.12 Frequency Detection 2

Sequence Circuit Configuration Example

The braking sequence should be designed as follows:

- A normally open signal (N.O.) should be used to control the brake so that it is released when terminal M1-M2 closes.
- When a fault signal is output, the brake should close.

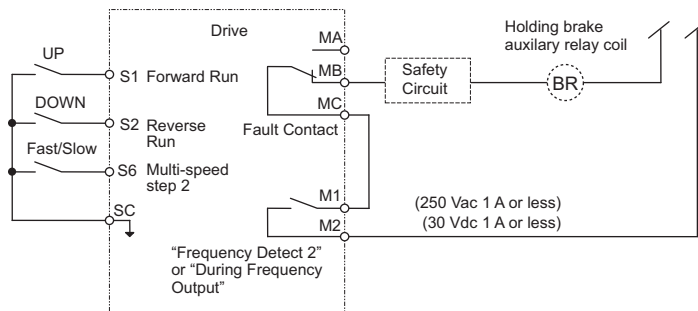


Figure 4.13 Sequence Circuit Configuration

- The brake should release just a bit after the Run command is issued, allowing the motor to build up torque. If using the V/f, V/f w PG or OLV control modes and the “Frequency detection 2” signal controls the brake, the motor can be given time to build up torque by setting the brake release level in parameter L4-01. Additionally, DC Injection Braking at start can be applied. If using CLV or CLV/PM and the “During frequency output” signal controls the brake, initial excitation should be enabled. Set the initial excitation time to parameter b2-03.
- The time chart below gives an example sequence.

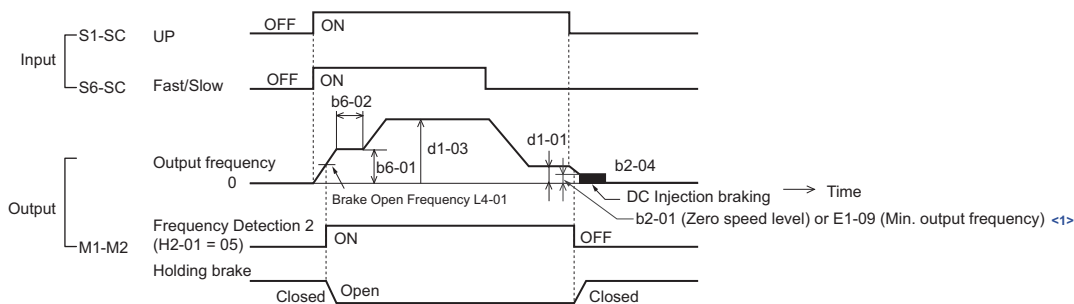


Figure 4.14 Holding Brake Time Chart (V/f, V/f w/PG, OLV)



Figure 4.15 Holding Brake Time Chart (CLV, CLV/PM)

4.6 Application Selection

◆ Setting 7: Traveling Application

Table 4.17 Traveling: Parameters and Settings

| No. | Parameter Name | Default Setting |
|-------|---|--|
| A1-02 | Control Mode | 0: V/f Control |
| b1-01 | Frequency Reference Selection | 0: Operator |
| C1-01 | Acceleration Time 1 | 3.0 s |
| C1-02 | Deceleration Time 1 | 3.0 s |
| C6-01 | Normal/Heavy Duty Selection | 0: Heavy Duty |
| C6-02 | Carrier Frequency Selection | 2: 5 kHz |
| d1-01 | Frequency Reference 1 | 6.0 Hz |
| d1-02 | Frequency Reference 2 | 30.0 Hz |
| d1-03 | Frequency Reference 3 | 50.0 Hz |
| H1-05 | Multi-Function Digital Input Terminal S5 Function | 3: Multi-Step Speed 1 |
| H1-06 | Multi-Function Digital Input Terminal S6 Function | 4: Multi-Step Speed 2 |
| H2-02 | Terminals M3-M4 Function Selection | 37: During frequency output |
| L3-04 | Stall Prevention Selection during Decel | 0: Disabled |
| L8-05 | Input Phase Loss Protection Selection | 1: Enabled |
| L8-07 | Output Phase Loss Protection | 1: Triggered when one output phase is lost |
| L8-38 | Carrier Frequency Reduction | 1: Enabled below 6 Hz |
| L8-41 | Current Alarm Selection | 1: Enabled (alarm output) |

Table 4.18 Traveling: User Parameters (A2-01 to A2-16):

| No. | Parameter Name | No. | Parameter Name |
|-------|-------------------------------|-------|---|
| b1-01 | Frequency Reference Selection | d1-03 | Frequency Reference 3 |
| C1-01 | Acceleration Time 1 | E2-01 | Motor Rated Current |
| C1-02 | Deceleration Time 1 | H1-05 | Multi-Function Digital Input Terminal S5 Function |
| C6-02 | Carrier Frequency Selection | H1-06 | Multi-Function Digital Input Terminal S6 Function |
| d1-01 | Frequency Reference 1 | H2-01 | Terminals M1-M2 Function Selection |
| d1-02 | Frequency Reference 2 | L1-01 | Motor Overload Protection Selection |

4.7 Auto-Tuning

◆ Types of Auto-Tuning

The drive offers different types of Auto-Tuning for induction motors and permanent magnet motors. The type of Auto-Tuning used differs further based on the control mode and other operating conditions. Refer to the tables below to select the type of Auto-Tuning that best suits the application. Directions on how to execute Auto-Tuning are listed in [Start-Up Flowcharts on page 98](#).

Note: The drive will only show Auto-Tuning parameters that are valid for the control mode that has been set to A1-02. If the control mode is for an induction motor, the Auto-Tuning parameters for PM motors will not be available. If the control mode is for a PM motor, the Auto-Tuning parameters for induction motors will not be available. Inertia Tuning and ASR Gain Tuning parameters and setting options will be visible only when the drive is set for operation with Closed Loop Vector or CLV/PM.

■ Auto-Tuning for Induction Motors

This feature automatically sets the V/f pattern and motor parameters E1-□□ and E2-□□ (E3-□□, E4-□□ for motor 2) for an induction motor. In Closed Loop Vector, some F1-□□ parameters for speed feedback detection are also set up.

Table 4.19 Types of Auto-Tuning for Induction Motors

| Type | Setting | Application Conditions and Benefits | Control Mode | | | |
|--|-----------|--|--------------|----------|-----|-----|
| | | | V/f | V/f w/PG | OLV | CLV |
| Rotational Auto-Tuning | T1-01 = 0 | <ul style="list-style-type: none"> Motor can be decoupled from the load and rotate freely while Auto-Tuning is performed. Motor and load can not be decoupled but the motor load is below 30%. Rotational Auto-Tuning gives the most accurate results, and is therefore highly recommended if possible. | N/A | N/A | YES | YES |
| Stationary Auto-Tuning 1 | T1-01 = 1 | <ul style="list-style-type: none"> Motor and load can not be decoupled and the load is higher than 30%. A motor test report listing motor data is not available. Automatically calculates motor parameters needed for vector control. | N/A | N/A | YES | YES |
| Stationary Auto-Tuning 2 | T1-01 = 4 | <ul style="list-style-type: none"> Motor and load can not be decoupled and the load is higher than 30%. A motor test report is available. Once the no-load current and the rated slip have been entered, the drive calculates and sets all other motor-related parameters. | N/A | N/A | YES | YES |
| Stationary Auto-Tuning for Line-to-Line Resistance | T1-01 = 2 | <ul style="list-style-type: none"> The drive is used in V/f Control and other Auto-Tuning selections not possible. Drive and motor capacities differ. Tunes the drive after the cable between the drive and motor has been replaced with a cable over 50 m long. Assumes Auto-Tuning has already been performed. Should not be used for any vector control modes unless the motor cable has changed. | YES | YES | YES | YES |
| Rotational Auto-Tuning for V/f Control | T1-01 = 3 | <ul style="list-style-type: none"> Recommended for applications using Speed Estimation Speed Search or using the Energy Saving function in V/f Control. Assumes motor can rotate while Auto-Tuning is executed. Increases accuracy for certain functions like torque compensation, slip compensation, Energy Saving, and Speed Search. | YES | YES | N/A | N/A |

Table 4.20 lists the data that must be entered for Auto-Tuning. Make sure this data is available before starting Auto-Tuning. The information needed is usually listed on the motor nameplate or in the motor test report provided by the motor manufacturer. Also refer to page [99](#) and [100](#) for details on Auto-Tuning process and selections.

Table 4.20 Auto-Tuning Input Data

| Input Value | Input Parameter | Unit | Tuning Type (T1-01) | | | | |
|------------------------------------|-----------------|-------|---------------------|----------------|---------------------------|------------------------------|----------------|
| | | | 0 Standard | 1 Stationary 1 | 2 Line-to-Line Resistance | 3 Rotational for V/f Control | 4 Stationary 2 |
| Motor rated power | T1-02 | kW | YES | YES | YES | YES | YES |
| Motor rated voltage | T1-03 | Vac | YES | YES | N/A | YES | YES |
| Motor rated current | T1-04 | A | YES | YES | YES | YES | YES |
| Motor rated frequency | T1-05 | Hz | YES | YES | N/A | YES | YES |
| Number of motor poles | T1-06 | - | YES | YES | N/A | YES | YES |
| Motor rated Speed | T1-07 | r/min | YES | YES | N/A | YES | YES |
| PG Number of pulses per revolution | T1-08 | - | YES <I> | YES <I> | N/A | N/A | YES <I> |
| Motor no-load current | T1-09 | A | N/A | YES | N/A | N/A | YES |
| Motor rated Slip | T1-10 | Hz | N/A | N/A | N/A | N/A | YES |
| Motor iron loss | T1-11 | W | N/A | N/A | N/A | YES | N/A |

<I> Input data is needed for CLV/PM only.

4.7 Auto-Tuning

■ Auto-Tuning for Permanent Magnet Motors

Automatically sets the V/f pattern and motor parameters E1-□□ and E5-□□ when a PM motor is used. In Closed Loop Vector Control, the Auto-Tuning process will also set some F1-□□ parameters for speed feedback detection.

Table 4.21 Types of Auto-Tuning for Permanent Magnet Motors

| Type | Setting | Application Conditions and Benefits | Control Mode | | |
|---|-----------|---|--------------|---------|--------|
| | | | OLV/PM | AOLV/PM | CLV/PM |
| PM Motor Parameter Settings | T2-01 = 0 | <ul style="list-style-type: none"> Motor does not rotate during Auto-Tuning Motor test report or motor data like listed in Table 4.22 are available. | YES | YES | YES |
| PM Stationary Auto-Tuning | T2-01 = 1 | <ul style="list-style-type: none"> A motor test report listing motor data is not available. Drive automatically calculates and sets motor parameters. | YES | YES | YES |
| PM Stationary Auto-Tuning for Stator Resistance | T2-01 = 2 | <ul style="list-style-type: none"> Useful to tune the drive when the motor data were set up manually or by motor code and the cable is longer than 50 m. Should also be performed if the cable has changed after earlier tuning. | YES | YES | YES |
| Z Pulse Offset Tuning | T2-01 = 3 | <ul style="list-style-type: none"> PG encoder has been replaced. Calculates the Z pulse offset. Requires the motor to rotate with no or very low load. | N/A | N/A | YES |

[Table 4.22](#) lists the data that must be entered for Auto-Tuning. Make sure the data is available before starting Auto-Tuning. The information needed is usually listed on the motor nameplate or in the motor test report provided by the motor manufacturer. Also refer to page [101](#) for details on the tuning mode selection and the tuning process.

Table 4.22 Auto-Tuning Input Data

| Input Value | Input Parameter | Unit | Tuning Type (T2-01) | | | | | | |
|------------------------------------|-----------------|----------------|----------------------------|-----|---------|-----------------|---------|--------------------------|------------------------|
| | | | 0 Parameter Calculation | | | 1 Stationary | | 2 Phase Resistance | 3 Z-Pulse Offset |
| Control Mode | A1-02 | - | 5, 6, 7 | 5 | 6, 7 | 5 | 6, 7 | 5, 6, 7 | 7 |
| Motor Code | T2-02 | - | <1> | <1> | <1> | <2> | <2> | <2> | <2> |
| Motor Type | T2-03 | - | N/A | N/A | N/A | YES | YES | N/A | N/A |
| Motor rated power | T2-04 | kW | N/A | YES | YES | YES | YES | N/A | N/A |
| Motor rated voltage | T2-05 | Vac | N/A | YES | YES | YES | YES | N/A | N/A |
| Motor rated current | T2-06 | A | N/A | YES | YES | YES | YES | YES | N/A |
| Motor rated frequency | T2-07 | Hz | N/A | YES | N/A | YES | N/A | N/A | N/A |
| Number of motor poles | T2-08 | - | N/A | YES | YES | YES | YES | N/A | N/A |
| Motor rated Speed | T2-09 | r/min | N/A | N/A | YES | N/A | YES | N/A | N/A |
| Stator 1 Phase resistance | T2-10 | Ω | YES | YES | YES | N/A | N/A | N/A | N/A |
| d-axis inductance | T2-11 | mH | YES | YES | YES | N/A | N/A | N/A | N/A |
| q-axis inductance | T2-12 | mH | YES | YES | YES | N/A | N/A | N/A | N/A |
| Voltage constant <3> | T2-13 | mVs/rad (el.) | YES | YES | YES | N/A | N/A | N/A | N/A |
| Voltage constant <3> | T2-14 | mV/min (mech.) | YES | YES | YES | N/A | N/A | N/A | N/A |
| Tuning pull-in current | T2-15 | A | N/A | N/A | N/A | YES | YES | N/A | N/A |
| PG Number of pulses per revolution | T2-16 | - | YES <4> | N/A | YES <4> | N/A | YES <4> | N/A | N/A |
| Z Pulse Offset | T2-17 | deg (mech.) | YES <4> | N/A | YES <4> | N/A | YES <4> | N/A | N/A |

<1> Input the motor code when using the YASKAWA motor. Select FFFF when using the motor by other manufacturers.

<2> T2-02 is not available.

<3> Only parameter T2-13 or T2-14 has to be input. Select one and leave the other empty.

<4> Input data is needed for CLV/PM only.

■ Inertia Tuning and Speed Control Loop Auto-Tuning

Inertia Tuning can be performed when the drive is using Closed Loop Vector control for either IM or PM motors. Inertia Tuning automatically calculates load and motor inertia, and optimizes settings related to the KEB Ride-Thru function (KEB 2) and Feed Forward control.

ASR Gain Auto-Tuning performs the same operation as Inertia Tuning, but also optimizes speed control loop settings.

Table 4.23 Inertia and Speed Control Loop Tuning

| Type | Setting | | Application Conditions and Benefits | Control Mode | |
|----------------------|-----------|-----------|--|--------------|--------|
| | IM Motor | PM Motor | | CLV | CLV/PM |
| Inertia Tuning | T1-01 = 8 | T2-01 = 8 | Lets the motor rotate at a certain speed and applies a test signal. The response to the test signals are analyzed, and adjustments are made to parameters controlling the Feed Forward and KEB Ride-Thru functions (KEB 2, L2-29 = 1). | YES | YES |
| ASR Gain Auto-Tuning | T1-01 = 9 | T2-01 = 9 | Performs the same operation as Inertia Tuning, but also adjusts the ASR gain according to the response to the test signal. | YES | YES |

[Table 4.24](#) explains that data that must be entered in order to perform the Inertia Tuning and ASR Gain Auto-Tuning. Refer to [Auto-Tuning for Permanent Magnet Motors on page 110](#) for details.

Table 4.24 Auto-Tuning Input Data

| Input Value | Input Parameter | Unit | Tuning Type (T1-01 or T2-01) | |
|---------------------------|-----------------|------------------|------------------------------|----------------------|
| | | | 8 Inertia Tuning | 9 ASR Gain Tuning |
| Test signal frequency | T3-01 | Hz | YES | YES |
| Test signal Amplitude | T3-02 | rad | YES | YES |
| Motor inertia | T3-03 | kgm ² | YES | YES |
| System response frequency | T3-04 | Hz | N/A | YES |

◆ Before Auto-Tuning the Drive

Check the items below before Auto-Tuning the drive.

■ Basic Auto-Tuning Preparations

- Auto-Tuning requires the user to input data from the motor nameplate or motor test report. Make sure this data is available before Auto-Tuning the drive.
- For best performance, the drive input supply voltage must be greater than the motor rated voltage.
 - Note:** Better performance is possible when using a motor with a base voltage that is 20 V (40 V for 400 V class models) lower than the input supply voltage. This is particularly important when operating the motor above 90% of base speed, where high torque precision is required.
- To cancel Auto-Tuning, press the STOP key on the digital operator.
- When using a motor contactor, make sure it is closed throughout the Auto-Tuning process.
- When using Auto-Tuning for motor 2, make sure motor 2 is connected to the drive output when performing the tuning.
- [Table 4.25](#) describes digital input and output terminal operation while Auto-Tuning is executed.

Table 4.25 Digital Input and Output Operation During Auto-Tuning

| Motor Type | Auto-Tuning Type | Digital Input | Digital Output |
|------------------|--|---|--|
| IM Motor | Rotational Auto-Tuning | Digital input functions are disabled. | Functions the same as during normal operation |
| | Stationary Auto-Tuning 1 | | Maintains the status at the start of Auto-Tuning |
| | Stationary Auto-Tuning 2 | | |
| | Stationary Auto-Tuning for Line-to-Line Resistance | | |
| PM Motor | Rotational Auto-Tuning for V/f Control | | Functions the same as during normal operation |
| | PM Motor Parameter Settings | | Digital output functions are disabled. |
| | PM Stationary Auto-Tuning | | Maintains the status at the start of Auto-Tuning |
| | PM Stationary Auto-Tuning for Stator Resistance | | |
| IM and PM Motors | Z Pulse Offset Tuning | Functions the same as during normal operation | |
| | Inertia Tuning | | |
| | ASR Gain Auto-Tuning | | |

■ Notes on Rotational Auto-Tuning

- To achieve optimal performance from Rotational Auto-Tuning, the load should be decoupled from the motor. Rotational Auto-Tuning is best suited for applications requiring high performance over a wide speed range.
- If motor and load can not be decoupled, reduce the load so that it is no greater than 30% of the rated load. Performing Rotational Auto-Tuning with a higher load will set motor parameters incorrectly, and can cause irregular motor rotation.
- Ensure the motor-mounted brake is fully released if installed.
- Connected machinery should be allowed to rotate the motor.

■ Notes on Stationary Auto-Tuning

Stationary Auto-Tuning modes analyze motor characteristics by injecting current into the motor for about one minute.

WARNING! Electrical Shock Hazard. When executing stationary Auto-Tuning, the motor does not rotate, however, power is applied. Do not touch the motor until Auto-Tuning is completed. Failure to comply may result in injury from electrical shock.

WARNING! Sudden Movement Hazard. If installed, do not release the mechanical brake during stationary Auto-Tuning. Inadvertent brake release may cause damage to equipment or injury to personnel. Ensure that the mechanical brake release circuit is not controlled by the drive multi-function digital outputs.

Stationary Auto-Tuning 1 and 2

- Perform these tuning methods when using a vector control mode but Rotational Auto-Tuning cannot be performed.
- Check the area around the motor to ensure that nothing will accidentally cause the motor to rotate during the Auto-Tuning process.

4.7 Auto-Tuning

- Use Stationary Auto-Tuning 1 when the motor test report is not available. If the motor test report is available, perform Stationary Auto-Tuning 2 instead.

Stationary Auto-Tuning for Line-to-Line Resistance and PM Motor Stator Resistance

- Perform when entering motor data manually while using motor cables longer than 50 m.
- If the motor cables have been replaced with line over 50 m long after Auto-Tuning as already been performed, then execute Stationary Auto-Tuning for line-to-line resistance.

■ Notes on Inertia Tuning and ASR Gain Auto-Tuning

WARNING! Electrical Shock Hazard. When executing Inertia Tuning or ASR Gain Auto-Tuning, voltage is applied to the motor even before it rotates. Do not touch the motor until Auto-Tuning is completed. Failure to comply may result in injury from electrical shock.

- Both tuning methods must be performed with the machine connected to the motor but without load applied.
- The motor will rotate during the Auto-Tuning process. Make sure the areas around the motor and connected machinery are clear.
- The drive will let the system rotate at a certain speed while superimposing a sine wave test signal. Make sure this tuning process does not cause any problem or malfunction in the machine before using it.
- Ensure the motor-mounted brake is fully released if installed.
- Connected machinery should be allowed to rotate the motor.

◆ Auto-Tuning Interruption and Fault Codes

If tuning results are abnormal or the STOP key is pressed before completion, Auto-Tuning will be interrupted and a fault code will appear on the digital operator.

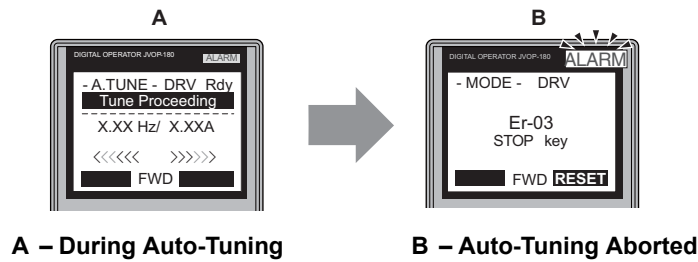



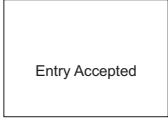
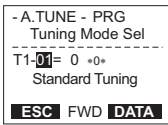
Figure 4.16 Auto-Tuning Aborted Display

◆ Auto-Tuning Operation Example

The following example demonstrates Rotational Auto-Tuning when using OLV (A1-02 = 2) and CLV (A1-02 = 3).

■ Selecting the Type of Auto-Tuning

| Step | | Display/Result |
|------|--|----------------|
| 1. | Turn on the power to the drive. The initial display appears. | |
| 2. | Press the or key until the Auto-Tuning display appears. | |
| 3. | Press to begin setting parameters. | |
| 4. | Press to select the value for T1-01. <> | |


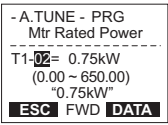

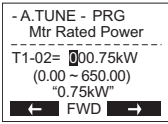





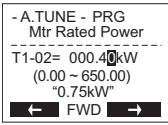

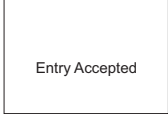
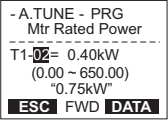
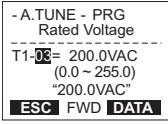
| Step | | | Display/Result |
|------|--|---|---|
| 5. | Save the setting by pressing  . | → |  |
| 6. | The display automatically returns to the display shown in Step 3. | → |  |

<1> T1-00 will appear on the display when one of the multi-function inputs has been set to switch between motor 1 and motor 2 (H1-□□ = 16).

■ Enter Data from the Motor Nameplate

After selecting the type of Auto-Tuning, enter the data required from the motor nameplate.

Note: These instructions continue from Step 6 in “Selecting the Type of Auto-Tuning”.

| Step | | | Display/Result |
|------|---|---|---|
| 1. | Press  to access the motor output power parameter T1-02. | → |  |
| 2. | Press  to view the default setting. | → |  |
| 3. | Press  (left),  (right),  ,  and  to enter the motor power nameplate data in kW. | → |  |
| 4. | Press  to save the setting. | → |  |
| 5. | The display automatically returns to the display in Step 1. | → |  |
| 6. | Repeat Steps 1 through 5 to set the following parameters: <ul style="list-style-type: none"> • T1-03, Motor Rated Voltage • T1-04, Motor Rated Current • T1-05, Motor Base Frequency • T1-06, Number of Motor Poles • T1-07, Motor Base Frequency • T1-09, Motor No-Load Current (Stationary Auto-Tuning 1 or 2 only) • T1-10, Motor Rated Slip (Stationary Auto-Tuning 2 only) | → |  |

Note: 1. For details on each setting, [Refer to Parameter Settings during Induction Motor Auto-Tuning: T1 on page 114.](#)

2. To execute Stationary Auto-Tuning for line-to-line resistance only, set parameters T1-02 and T1-04.


4.7 Auto-Tuning

■ Starting Auto-Tuning


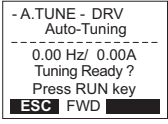

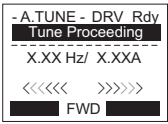
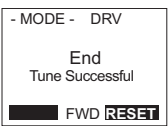
WARNING! Sudden Movement Hazard. The drive and motor may start unexpectedly during Auto-Tuning, which could result in death or serious injury. Ensure the area surrounding the drive motor and load are clear before proceeding with Auto-Tuning.

WARNING! Electrical Shock Hazard. High voltage will be supplied to the motor when Stationary Auto-Tuning is performed even with the motor stopped, which could result in death or serious injury. Do not touch the motor until Auto-Tuning has been completed.

NOTICE: Rotational Auto-Tuning will not function properly if a holding brake is engaged on the load. Failure to comply could result in improper operation of the drive. Ensure the motor can freely spin before beginning Auto-Tuning.

Enter the required information from the motor nameplate. Press  to proceed to the Auto-Tuning start display.

Note: These instructions continue from Step 7 in “Enter Data from the Motor Nameplate”.

| Step | | | Display/Result |
|------|--|---|---|
| 1. | After entering the data listed on the motor nameplate, press  to confirm. | → |  |
| 2. | Press  to activate Auto-Tuning. The drive begins by injecting current into the motor for about 1 min, and then starts to rotate the motor. Note: The first digit on the display indicates which motor is undergoing Auto-Tuning (motor 1 or motor 2). The second digit indicates the type of Auto-Tuning being performed. | → |  |
| 3. | Auto-Tuning finishes in approximately one to two minutes. | → |  |

◆ Parameter Settings during Induction Motor Auto-Tuning: T1

The T1-□□ parameters are used to set the Auto-Tuning input data for induction motor tuning.

Note: For motors that are to be operated in the field weakening range, first perform the Auto-Tuning with the base data. After Auto-Tuning is complete, change the maximum frequency E1-04 to the desired value.

■ T1-00: Motor 1/Motor 2 Selection

Selects the motor to be tuned when motor 1/2 switching is enabled, i.e., a digital input is set for function H1-□□ = 16. This parameter is not displayed if motor 1/2 switching is disabled.

| No. | Name | Setting Range | Default |
|-------|---------------------------|---------------|---------|
| T1-00 | Motor 1/Motor 2 Selection | 1 or 2 | 1 |

Setting 1: Motor 1

Auto-Tuning automatically sets parameters E1-□□ and E2-□□ for motor 1.

Setting 2: Motor 2

Auto-Tuning automatically sets parameters E3-□□ and E4-□□ for motor 2. Make sure that motor 2 is connected to the drive for Auto-Tuning.

■ T1-01: Auto-Tuning Mode Selection

Sets the type of Auto-Tuning to be used. [Refer to Auto-Tuning for Induction Motors on page 109](#) for details on the different types of Auto-Tuning.

| No. | Name | Setting Range | Default |
|-------|----------------------------|--|-----------------------------------|
| T1-01 | Auto-Tuning Mode Selection | 2, 3 (V/f, V/f w/PG) 0 to 2, 4 (OLV, CLV) 8, 9 (CLV) | 2 (V/f, V/f w/PG) 0 (OLV, CLV) |

Setting 0: Rotational Auto-Tuning**Setting 1: Stationary Auto-Tuning 1****Setting 2: Stationary Auto-Tuning for Line-to-Line Resistance****Setting 3: Rotational Auto-Tuning for V/f Control****Setting 4: Stationary Auto-Tuning 2****Setting 8: Inertia Tuning****Setting 9: ASR Gain Auto-Tuning****■ T1-02: Motor Rated Power**

Sets the motor rated power according to the motor nameplate value.

| No. | Name | Setting Range | Default |
|-------|-------------------|-------------------|-------------------------------|
| T1-02 | Motor Rated Power | 0.00 to 650.00 kW | Determined by 02-04 and C6-01 |

■ T1-03: Motor Rated Voltage

Sets the motor rated voltage according to the motor nameplate value. If the motor to be operated above its base speed, enter the voltage at base speed here.

For better control precision around rated speed when using a vector control mode, it can be helpful to enter the no-load voltage for the motor here. The motor's "no-load voltage" refers to the voltage needed to operate the motor under no-load conditions at rated speed. The no-load voltage can usually be found in the motor test report available from the manufacturer. If no data is available, enter approximately 90% of the rated voltage printed on the motor nameplate. Note that this might increase the output current reducing the overload margin.

| No. | Name | Setting Range | Default |
|-----------|---------------------|----------------|---------|
| T1-03 <I> | Motor Rated Voltage | 0.0 to 255.5 V | 200.0 V |

<I> Values shown here are for 200 V class drives. Double values when using a 400 V class unit.

■ T1-04: Motor Rated Current

Sets the motor rated current according to the motor nameplate value. For optimal performance in OLV or CLV, the motor rated current should be between 50 and 100% of the drive rated current. Enter the current at the motor base speed.

| No. | Name | Setting Range | Default |
|-------|---------------------|-----------------------------------|---------------|
| T1-04 | Motor Rated Current | 10 to 200% of drive rated current | E2-11 (E4-11) |

■ T1-05: Motor Base Frequency

Sets the motor rated frequency according to the motor nameplate value. If a motor with an extended speed range is used or the motor is used in the field weakening area, enter the maximum frequency to E1-04 (E3-04 for motor 2) after Auto-Tuning is complete.

| No. | Name | Setting Range | Default |
|-------|----------------------|-----------------|---------|
| T1-05 | Motor Base Frequency | 0.0 to 400.0 Hz | 50.0 Hz |

■ T1-06: Number of Motor Poles

Sets the number of motor poles according to the motor nameplate value.

| No. | Name | Setting Range | Default |
|-------|-----------------------|---------------|---------|
| T1-06 | Number of Motor Poles | 2 to 48 | 4 |

■ T1-07: Motor Base Speed

Used to set the motor rated speed according to the motor nameplate value. If a motor with an extended speed range is used or the motor is used in the field weakening area, enter the speed at base frequency here.

| No. | Name | Setting Range | Default |
|-------|------------------|------------------|------------|
| T1-07 | Motor Base Speed | 0 to 24000 r/min | 1450 r/min |

4.7 Auto-Tuning

■ T1-08: PG Number of Pulses Per Revolution

Sets the number of pulses from the PG encoder. Set the actual number of pulses for one full motor rotation.

| No. | Name | Setting Range | Default |
|-------|------------------------------------|----------------|----------|
| T1-08 | PG Number of Pulses Per Revolution | 0 to 60000 ppr | 1024 ppr |

Note: T1-08 will only be displayed in CLV.

■ T1-09: Motor No-Load Current

Sets the no-load current for the motor.

The default setting displayed is no-load current that was automatically calculated from the output power set in T1-02 and the motor rated current set to T1-04. Enter the data listed on the motor test report. Leave this data at the default setting if the motor test report is not available.

| No. | Name | Setting Range | Default |
|-----------|-----------------------|--------------------------------------|---------|
| T1-09 <I> | Motor No-Load Current | 0 A to [T1-04] (Max: 0 to 2999.9) | – |

<I> This value's number of decimal places depends on the drive model and the Heavy/Normal duty selection in parameter C6-01. The value will have two decimal places (0.01 A) if the drive is set for a Maximum Applicable Motor Capacity up to 11 kW (refer to [Table A.2](#) and [Table A.3](#)) and one decimal place (0.1 A) if the set Maximum Applicable Motor Capacity is higher than 11 kW.

■ T1-10: Motor Rated Slip

Sets the rated slip for the motor.

The default setting displayed is the motor rated slip for a Yaskawa motor calculated from the output power set in T1-02. Enter the data listed on the motor test report.

| No. | Name | Setting Range | Default |
|-------|------------------|------------------|---------|
| T1-10 | Motor Rated Slip | 0.00 to 20.00 Hz | – |

■ T1-11: Motor Iron Loss

Provides iron loss information for determining the Energy Saving coefficient. T1-11 will first display a value for the motor iron loss that the drive automatically calculated the when motor capacity was entered to T1-02. If the motor test report is available, enter the motor iron loss value listed there.

| No. | Name | Setting Range | Default |
|-------|-----------------|---------------|---------------|
| T1-11 | Motor Iron Loss | 0 to 65535 W | E2-11 (E4-11) |

◆ Parameter Settings during PM Motor Auto-Tuning: T2

The T2-□□ parameters are used to set the Auto-Tuning input data for PM motor tuning.

■ T2-01: PM Motor Auto-Tuning Mode Selection

Selects the type of Auto-Tuning to be performed. [Refer to Auto-Tuning for Permanent Magnet Motors on page 110](#) for details on different types of Auto-Tuning.

| No. | Name | Setting Range | Default |
|-------|-------------------------------------|---|---------|
| T2-01 | PM Motor Auto-Tuning Mode Selection | 0 to 2 (OLV/PM, AOLV/PM) 0 to 3, 8, 9 (CLV/PM) | 0 |

0: PM Motor Parameter Settings**1: PM Stationary Auto-Tuning****2: PM Stationary Auto-Tuning for Stator Resistance****3: Z-Pulse Offset Tuning****8: Inertia Tuning****9: ASR Gain Auto-Tuning****■ T2-02: PM Motor Code Selection**

If the drive is operating a Yaskawa PM motor from the SMRA, SSR1, or SST4 series, enter the motor code for the motor in parameter T2-02. This will automatically set parameters T2-03 through T2-14. If using a specialized motor or one designed by a manufacturer other than Yaskawa, set T2-02 to FFFF. Data from the motor nameplate or the motor test report will then need to be entered as prompted.

Only the designated PM motor codes may be entered. The PM motor codes accepted by the drive will differ by the control mode that has been selected. Refer to [E5: PM Motor Settings on page 204](#) for motor codes.

| No. | Name | Setting Range | Default |
|-------|-------------------------|---------------|------------------------------|
| T2-02 | PM Motor Code Selection | 0000 to FFFF | Depending on A1-02 and o2-04 |

■ T2-03: PM Motor Type

Selects the type of PM motor the drive will operate.

| No. | Name | Setting Range | Default |
|-------|---------------|---------------|---------|
| T2-03 | PM Motor Type | 0, 1 | 1 |

0: IPM motor**1: SPM motor****■ T2-04: PM Motor Rated Power**

Specifies the motor rated power in kilowatts.

| No. | Name | Setting Range | Default |
|-------|----------------------|-------------------|--------------------|
| T2-04 | PM Motor Rated Power | 0.00 to 650.00 kW | Depending on o2-04 |

■ T2-05: PM Motor Rated Voltage

Sets the motor rated voltage.

| No. | Name | Setting Range | Default |
|-----------|------------------------|----------------|---------|
| T2-05 <1> | PM Motor Rated Voltage | 0.0 to 255.0 V | 200.0 V |

<1> The setting range and default value shown here is for a 200 V class drive. These values double when using a 400 V class unit.

■ T2-06: PM Motor Rated Current

Enter the motor rated current in amps.

| No. | Name | Setting Range | Default |
|-------|------------------------|---|--------------------|
| T2-06 | PM Motor Rated Current | 10% to 200% of the drive rated current. | Depending on o2-04 |

■ T2-07: PM Motor Base Frequency

Enter the motor base frequency in Hz.

Note: T2-07 will be displayed when in OLV/PM.

| No. | Name | Setting Range | Default |
|-------|-------------------------|-----------------|---------|
| T2-07 | PM Motor Base Frequency | 0.0 to 400.0 Hz | 87.5 Hz |

4.7 Auto-Tuning

■ T2-08: Number of PM Motor Poles

Enter the number of motor poles.

| No. | Name | Setting Range | Default |
|-------|--------------------------|---------------|---------|
| T2-08 | Number of PM Motor Poles | 2 to 48 | 6 |

■ T2-09: PM Motor Base Speed

Enter the motor rated speed in r/min.

Note: T2-09 will be displayed when in AOLV/PM and CLV/PM.

| No. | Name | Setting Range | Default |
|-------|---------------------|------------------|------------|
| T2-09 | PM Motor Base Speed | 0 to 24000 r/min | 1750 r/min |

■ T2-10: PM Motor Stator Resistance

Enter the motor stator resistance per motor phase.

| No. | Name | Setting Range | Default |
|-------|----------------------------|--------------------------|--------------------|
| T2-10 | PM Motor Stator Resistance | 0.000 to 65.000 Ω | Depending on T2-02 |

■ T2-11: PM Motor d-Axis Inductance

Enter the d axis inductance per motor phase.

| No. | Name | Setting Range | Default |
|-------|----------------------------|-------------------|--------------------|
| T2-11 | PM Motor d-Axis Inductance | 0.00 to 600.00 mH | Depending on T2-02 |

■ T2-12: PM Motor q-Axis Inductance

Enter the q axis inductance per motor phase.

| No. | Name | Setting Range | Default |
|-------|----------------------------|-------------------|--------------------|
| T2-12 | PM Motor q-Axis Inductance | 0.00 to 600.00 mH | Depending on T2-02 |

■ T2-13: Induced Voltage Constant Unit Selection

Selects the units used for setting the induced voltage coefficient.

| No. | Name | Setting Range | Default |
|-------|---|---------------|---------|
| T2-13 | Induced Voltage Constant Unit Selection | 0, 1 | 1 |

0: mV (r/min)

1: mV (rad/sec)

Note: If T2-13 is set to 0, then the drive will use E5-24 (Motor Induction Voltage Constant 2), and will automatically set E5-09 (Motor Induction Voltage Constant 1) to 0.0. If T2-13 is set to 1, then the drive will use E5-09 and will automatically set E5-25 to 0.0.

■ T2-14: PM Motor Induced Voltage Constant (Ke)

Enter the motor induced voltage constant (Ke).

| No. | Name | Setting Range | Default |
|-------|-----------------------------------|---------------|--------------------|
| T2-14 | PM Motor Induced Voltage Constant | 0.1 to 2000.0 | Depending on T2-02 |

■ T2-15: Pull-In Current Level for PM Motor Tuning

Sets the amount of pull-in current used to tune the d-axis and q-axis inductance. Set as a percentage of the motor rated current.

| No. | Name | Setting Range | Default |
|-------|---|---------------|---------|
| T2-15 | Pull-In Current Level for PM Motor Tuning | 0 to 120% | 30% |

■ T2-16: PG Number of Pulses Per Revolution for PM Motor Tuning

Enter the number of pulses from the PG encoder per motor rotation. Set the actual number of pulses for one full motor rotation.

| No. | Name | Setting Range | Default |
|-------|--|----------------|----------|
| T2-16 | PG Number of Pulses Per Revolution for PM Motor Tuning | 0 to 60000 ppr | 1024 ppr |

■ T2-17: Encoder Z-Pulse Offset ($\Delta\theta$)

Sets the amount of compensation or offset in 0.1 degree units in order to fine-tune the home position. If the amount of offset needed for the Z pulse is unknown or if the PG encoder is replaced, perform Z pulse tuning.

| No. | Name | Setting Range | Default |
|-------|------------------------|---------------------|---------|
| T2-17 | Encoder Z-Pulse Offset | -180.0 to 180.0 deg | 0.0 deg |

◆ Parameter Settings during Inertia and Speed Control Loop Auto-Tuning: T3

These tuning methods apply a sine wave test signal to the system. By the measuring the response the drive estimates the system inertia. It automatically sets parameters listed in [Table 4.26](#).

Table 4.26 Parameters Adjusted by Inertia and Speed Loop Auto-Tuning

| Parameter | Description | T1-01 or T2-01 | |
|---------------|--|---------------------|--------------------------------------|
| | | 8 Inertia Tuning | 9 Speed Control Loop (ASR) Tuning |
| C5-01 | ASR Proportional Gain 1 | N/A | YES |
| C5-17 (C5-37) | Motor Inertia | YES | YES |
| C5-18 (C5-38) | Motor Inertia Ratio | YES | YES |
| L3-24 | Motor Acceleration Time for Inertia Calculations | YES | YES |
| L3-25 | Load Inertia Ratio | YES | YES |
| n5-03 | Feed Forward Control Ratio Gain | YES | YES |

■ T3-01: Inertia Tuning Frequency Reference

Sets the frequency of the test signal applied to the motor during Inertia Tuning. Although this setting rarely needs to be changed, increasing the value may be beneficial when working with high inertia loads.

| No. | Name | Setting Range | Default |
|-------|------------------------------------|----------------|---------|
| T3-01 | Inertia Tuning Frequency Reference | 0.1 to 20.0 Hz | 3.0 Hz |

■ T3-02: Inertia Tuning Reference Amplitude

Enter the amplitude of the test signal applied to the motor during Inertia Tuning. Although this setting rarely needs to be changed, try decreasing the value if the load inertia is too large and causes problems during Inertia Tuning. If a fault occurs when T3-01 is set to low value, the situation may be remedied by adjusting T3-02.

| No. | Name | Setting Range | Default |
|-------|------------------------------------|-----------------|---------|
| T3-02 | Inertia Tuning Reference Amplitude | 0.1 to 10.0 rad | 0.5 rad |

■ T3-03: Motor Inertia

Enter the inertia of the motor. This value is used to determine the load inertia using the test signal response. The default setting is for a Yaskawa standard motor as listed in the motor inertia table.

| No. | Name | Setting Range | Default |
|-------|---------------|-----------------------------------|--------------------|
| T3-03 | Motor Inertia | 0.0001 to 600.00 kgm ² | Depending on E2-11 |

Note: The display resolution depends on the rated output power of the drive after the Drive Duty has been set in parameter C6-01. Drives with a maximum output up to 37 kW will display this value in units of 0.0001 kgm². Drives with a maximum output 37 to 185 kW will display this value in units of 0.001 kgm². [Refer to A1000 Model Selection on page 27](#) for details.

4.7 Auto-Tuning

■ T3-04: ASR Response Frequency

Sets the response frequency (reciprocal of the step response time constant) of the system or the connected machine. The drive uses this value and the load inertia to fine-tune the speed control loop gain (C5-01, ASR Gain 1). Oscillation may result if the value input here is higher than the actual response frequency of the system.

| No. | Name | Setting Range | Default |
|-------|------------------------|----------------|---------|
| T3-04 | ASR Response Frequency | 0.1 to 50.0 Hz | 10.0 Hz |

4.8 No-Load Operation Test Run

◆ No-Load Operation Test Run

This section explains how to operate the drive with the motor decoupled from the load during a test run.

■ Before Starting the Motor

Check the following items before operation:

- Ensure the area around the motor is safe.
- Ensure external emergency stop circuitry is working properly and other safety precautions have been taken.

■ During Operation

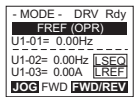






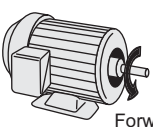

Check the following items during operation:

- The motor should rotate smoothly (i.e., no abnormal noise or oscillation).
- The motor should accelerate and decelerate smoothly.


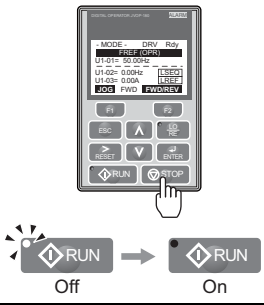
■ No-Load Operation Instructions

The following example illustrates a test run procedure using the digital operator.

Note: Before starting the motor, set the frequency reference d1-01 to 6 Hz.

| | Step | | Display/Result |
|----|---|---|--|
| 1. | Turn on the power to the drive. The initial display appears. | → |  |
| 2. | Press the  key to select LOCAL. The LO/RE light will turn on. | → |   |
| 3. | Press  to give the drive a Run command. RUN will light and the motor will rotate at 6 Hz. | → |   |
| 4. | Ensure the motor is rotating in the correct direction and that no faults or alarms occur. | → |  |
| 5. | If there is no error in step 4, press  to increase the frequency reference. Increase the frequency in increments of 10 Hz, verifying smooth operation at all speeds. For each frequency, check the drive output current using monitor U1-03. The current should be well below the motor rated current. | | |

4.8 No-Load Operation Test Run

| Step | | Display/Result |
|--|---|---|
| 6. The drive should operate normally. Press  to stop the motor. RUN flashes until the motor comes to a complete stop. | → |  |

4.9 Test Run with Load Connected

◆ Test Run with the Load Connected

After performing a no-load test run, connect the motor and proceed to run the motor and load together.

■ Notes on Connected Machinery

- Clear the area around the motor.
- The motor should come to a complete stop without problems.
- Connect the load and machinery to the motor.
- Fasten all installation screws properly. Check that the motor and connected machinery are held in place.
- Confirm that the Fast Stop circuit or mechanical safety measures operate correctly.
- Be ready to press the STOP button in case of emergency.

■ Checklist Before Operation

- The motor should rotate in the proper direction.
- The motor should accelerate and decelerate smoothly.

■ Operating the Motor under Loaded Conditions

Test run the application similarly to the no-load test procedure when connecting the machinery to the motor.

- Watch monitor parameter U1-03 during operation to ensure there is no overcurrent.
- If the application permits running the load in the reverse direction, try changing motor direction and the frequency reference while watching for abnormal motor oscillation or vibration.
- Correct any problems that occur with hunting, oscillation, or other control-related issues.

4.10 Verifying Parameter Settings and Backing Up Changes

Use the Verify Menu to check all changes to parameter settings. *Refer to Verifying Parameter Changes: Verify Menu on page 94.*

Save the verified parameter settings. Change the access level or set a password to the drive to prevent accidental modification of parameter settings.

◆ Backing Up Parameter Values: o2-03

The following procedure saves all parameters settings to drive memory where they can later be recalled. Set o2-03 to “1” to save parameter changes. This saves all parameter settings, and then returns o2-03 to 0. The drive can now “recall” the saved parameters by performing a User Initialization (A1-03 = 1110).

| No. | Parameter Name | Description | Setting Range | Default Setting |
|-------|------------------------------|--|---------------|-----------------|
| o2-03 | User Parameter Default Value | Lets the user create a set of default settings for a User Initialization. 0: Saved/Not set 1: Set Defaults - Saves current parameter settings as the default values for a User Initialization. 2: Clear All - Clears the currently saved user settings. After saving the user parameter set value, the items of 1110 (User Parameter Initialize) are displayed in A1-03 (User Parameter Default Value). | 0 to 2 | 0 |
| A1-03 | Initialize Parameters | Selects a method to initialize the parameters. 0: No Initialize 1110: User Initialization (The user must first program and store desired settings using parameter o2-03) 2220: 2-Wire Initialization (parameter initialized prior to shipment) 3330: 3-Wire Initialization 5550: oPE4 Fault reset | 0 to 5550 | 0 |

◆ Parameter Access Level: A1-01



Setting the Access Level for “Operation only” (A1-01 = 0) allows the user to access parameters A1-□□ and U□-□□ only. Other parameters are not displayed.

Setting the Access Level for “User Parameters” (A1-01 = 1) allows the user to access only the parameters that have been previously saved as User Parameters. This is helpful when displaying only the relevant parameters for a specific application.

| No. | Parameter Name | Description | Setting Range | Default |
|----------------|------------------------------------|---|----------------|---------|
| A1-01 | Access Level Selection | Selects which parameters are accessible via the digital operator. 0: Operation only. A1-01, A1-04, and A1-06 can be set and monitored, U□-□□ parameters can also be viewed. 1: User Parameters. Only those recently changed among application parameters A2-01 to A2-16 and A2-17 to A2-32 can be set and monitored. 2: Advanced Access Level. All parameters can be set and monitored. | 0 to 2 | 2 |
| A2-01 to A2-32 | User Parameters 1 to 32 | Parameters selected by the user are saved as User Parameters. This includes recently viewed parameters or parameters specifically selected for quick access. If parameter A2-33 is set to 1, recently viewed parameters will be listed between A2-17 and A2-32. Parameters A2-01 through A2-16 must be manually selected by the user. If A2-33 is set to 0, then recently viewed parameters will not be saved to the group of User Parameters. A2-□□ parameters are now available for manual programming. | b1-01 to o□-□□ | — |
| A2-33 | User Parameter Automatic Selection | 0: Parameters A2-01 through A2-32 are reserved for the user to create a list of User Parameters. 1: Save history of recently viewed parameters. Recently edited parameters will be saved to A2-17 through A2-32 for quick access. The most recently changed parameter is saved to A2-17. The second most recently changed parameter is saved to A2-18. | 0, 1 | 1 |

◆ Password Settings: A1-04, A1-05

The user can set a password to the drive to restrict access. The password is selected via parameter A1-05. The password must be entered to A1-04 to unlock parameter access (i.e., parameter setting A1-04 must match the value programmed into A1-05). The following parameters cannot be viewed or edited until the value entered to A1-04 correctly matches the value set to A1-05: A1-01, A1-02, A1-03, A1-06, and A2-01 through A2-33.

Note: Parameter A1-05 is hidden from view. To display A1-05, access parameter A1-04 and simultaneously press the  key and the  key.

◆ Copy Function

Parameter settings can be copied to another drive to simplify parameter restoration or multiple drive setup. The drive supports the following copy options:

- **LCD Operator (standard in all models)**

The LCD operator used to operate the drive also supports copying, importing, and verifying parameter settings. *Refer to o3: Copy Function on page 287* for details.

- **USB Copy Unit and CopyUnitManager**

The copy unit is an external option connected to the drive to copy parameter settings from one drive and save those settings to another drive. Refer to the manual supplied with the USB Copy Unit for instructions.

The CopyUnitManager is a PC software tool. It allows the user to load parameter settings from the Copy Unit onto a PC, or from the PC onto a Copy Unit. This is useful when managing parameters for various drives or applications. Refer to the manual supplied with the CopyUnitManager for instructions.

- **DriveWizard Plus**

DriveWizard is a PC software tool for parameter management, monitoring, and diagnosis. DriveWizard can load, store, and copy drive parameter settings. For details, refer to Help in the DriveWizard software.

4.11 Test Run Checklist

4.11 Test Run Checklist

Review the checklist before performing a test run. Check each item that applies.


| <input checked="" type="checkbox"/> | No. | Checklist | Page |
|-------------------------------------|-----|---|------|
| <input type="checkbox"/> | 1 | Thoroughly read the manual before performing a test run. | – |
| <input type="checkbox"/> | 2 | Turn the power on. | 102 |
| <input type="checkbox"/> | 3 | Set the voltage for the power supply to E1-01. | 194 |
| <input type="checkbox"/> | 4 | Select the correct duty rating (C6-01) for the application. | – |

Check the items that correspond to the control mode being used.

WARNING! Ensure start/stop and safety circuits are wired properly and in the correct state before energizing the drive. Failure to comply could result in death or serious injury from moving equipment. When programmed for 3-Wire control, a momentary closure on terminal S1 may cause the drive to start.

| <input checked="" type="checkbox"/> | No. | Checklist | Page |
|--|-----|--|------|
| V/f Control (A1-02 = 0) and V/f Control with PG (A1-02 = 1) | | | |
| <input type="checkbox"/> | 5 | Select the best V/f pattern according to the application and motor characteristics. Example: If using a motor with a rated frequency of 50.0 Hz, set E1-03 to “0”. | – |
| <input type="checkbox"/> | 6 | Perform Rotational Auto-Tuning for V/f Control if using Energy Saving functions. | 109 |
| V/f Control with PG (A1-02 = 1) | | | |
| <input type="checkbox"/> | 7 | Setup the PG feedback parameters correctly and make sure the encoder pulse counting direction is correct. | 206 |
| <input type="checkbox"/> | 8 | Set the proportional gain for ASR speed control to C5-01 and the integral time to C5-02. | 173 |
| Open Loop Vector Control (A1-02 = 2) or Closed Loop Vector Control (A1-02=3) | | | |
| <input type="checkbox"/> | 9 | Perform Auto-Tuning as described. | 114 |
| Closed Loop Vector Control (A1-02 = 3) | | | |
| <input type="checkbox"/> | 10 | Set the proportional gain for ASR speed control to C5-01 and the integral time to C5-02. Perform ASR Tuning if possible. | 173 |
| Open Loop Vector Control for PM (A1-02 = 5) | | | |
| <input type="checkbox"/> | 11 | Perform Auto-Tuning as described. | 116 |
| Advanced Open Loop Vector Control for PM (A1-02 = 6) | | | |
| <input type="checkbox"/> | 12 | Perform Auto-Tuning as described. | 116 |
| <input type="checkbox"/> | 13 | Set the proportional gain for ASR speed control to C5-01 and the integral time to C5-02. | 173 |
| Closed Loop Vector Control for PM (A1-02 = 7) | | | |
| <input type="checkbox"/> | 14 | Perform Auto-Tuning as described. | 116 |
| <input type="checkbox"/> | 15 | Set the proportional gain for ASR speed control to C5-01 and the integral time to C5-02. Perform ASR Tuning if possible. | 173 |
| <input type="checkbox"/> | 16 | Set the Z pulse offset to or enter the Z manually to parameter E5-11. | 116 |

Proceed to the following checklist after checking items 4 through 15.

| <input checked="" type="checkbox"/> | No. | Checklist | Page |
|-------------------------------------|-----|---|------|
| <input type="checkbox"/> | 17 | The DRV should light after giving a Run command. | – |
| <input type="checkbox"/> | 18 | To give a Run command and frequency reference from the digital operator, press  to set to LOCAL. The LO/RE key will light. | 96 |
| <input type="checkbox"/> | 20 | If the motor rotates in the opposite direction during the test run, switch two of the drive output terminals (U/T1, V/T2, W/T3) or change parameter b1-14. | 102 |
| <input type="checkbox"/> | 21 | Set the correct values for the motor rated current (E2-01, E4-01, E5-03) and motor protection (L1-01) to ensure motor thermal protection. | – |
| <input type="checkbox"/> | 22 | If the Run command and frequency reference are provided via the control circuit terminals, set the drive for REMOTE and be sure the LO/RE light is out. | 96 |
| <input type="checkbox"/> | 23 | If the control circuit terminals should supply the frequency reference, select the correct voltage input signal level (0 to 10 V) or the correct current input signal level (4 to 20 mA or 0 to 20 mA). | 136 |
| <input type="checkbox"/> | 24 | Set the proper voltage to terminal A1 and A3 (-10 to +10 V). | 136 |
| <input type="checkbox"/> | 25 | When current input is used, switch the drive’s built-in DIP switch S1 from the V-side to I-side. Set the level for current signal used to H3-09 (set “2” for 4 to 20 mA, or “3” for 0 to 20 mA). | 136 |
| <input type="checkbox"/> | 26 | Set the proper current to terminal A2. (-10 to +10 V, 4 to 20 mA or 0 to 20 mA). | 136 |

| <input checked="" type="checkbox"/> | No. | Checklist | Page |
|-------------------------------------|-----|---|------|
| <input type="checkbox"/> | 27 | If the frequency reference is supplied via one of the analog inputs, make sure the analog input produces the desired frequency reference. Make the following adjustments if the drive does not operate as expected: Gain adjustment: Set the maximum voltage/current signal and adjust the analog input gain (H3-03 for input A1, H3-11 for input A2, H3-07 for analog input A3) until the frequency reference value reaches the desired value. Bias adjustment: Set the minimum voltage/current signal and adjust the analog input bias (H3-04 for input A1, H3-12 for input A2, H3-08 for analog input A3) until the frequency reference value reaches the desired minimum value. | - |



Parameter Details

| | |
|--|------------|
| 5.1 A: INITIALIZATION | 130 |
| 5.2 B: APPLICATION. | 136 |
| 5.3 C: TUNING | 165 |
| 5.4 D: REFERENCE SETTINGS | 180 |
| 5.5 E: MOTOR PARAMETERS | 194 |
| 5.6 F: OPTION SETTINGS. | 206 |
| 5.7 H: TERMINAL FUNCTIONS | 214 |
| 5.8 L: PROTECTION FUNCTIONS | 244 |
| 5.9 N: SPECIAL ADJUSTMENTS | 275 |
| 5.10 O: OPERATOR RELATED SETTINGS | 284 |
| 5.11 U: MONITOR PARAMETERS | 291 |

5.1 A: Initialization

The initialization group contains parameters associated with initial setup of the drive. Parameters involving the display language, access levels, initialization, and password are located in this group.

◆ A1: Initialization

■ A1-00: Language Selection

Selects the display language for the digital operator.

Note: This parameter is not reset when the drive is initialized using parameter A1-03.

| No. | Parameter Name | Setting Range | Default |
|-------|--------------------|---------------|---------|
| A1-00 | Language Selection | 0 to 7 | 0 |

Setting 0: English

Setting 1: Japanese

Setting 2: German

Setting 3: French

Setting 4: Italian

Setting 5: Spanish

Setting 6: Portuguese

Setting 7: Chinese

■ A1-01: Access Level Selection

Allows or restricts access to drive parameters.

| No. | Parameter Name | Setting Range | Default |
|-------|------------------------|---------------|---------|
| A1-01 | Access Level Selection | 0 to 2 | 2 |

Setting 0: Operation only

Access is restricted to parameters A1-01, A1-04, A1-06, and all U monitor parameters.

Setting 1: User Parameters

Access to only a specific list of parameters set to A2-01 through A2-32. These User Parameters can be accessed using the Setup Mode of the digital operator.

Setting 2: Advanced Access Level (A) and Setup Access Level (S)

All parameters can be viewed and edited.

Notes on Parameter Access

- If the drive parameters are password protected by A1-04 and A1-05, parameters A1-00 through A1-03, A1-06, and all A2 parameters cannot be modified.
- If a digital input terminal programmed for “Program lockout” (H1-□□ = 1B) is enabled, parameter values cannot be modified, even if A1-01 is set to 1 or 2.
- If parameters are changed via serial communication, then it will not be possible to edit or change parameters settings with the drive’s digital operator until an Enter command is issued to the drive from the serial communication.

■ A1-02: Control Method Selection

Selects the Control Method (also referred to as the “control mode”) the drive uses to operate the motor. If the drive is set up to run two motors, then A1-02 determines the control mode for motor 1.

| No. | Parameter Name | Setting Range | Default |
|-------|--------------------------|---------------------|---------|
| A1-02 | Control Method Selection | 0, 1, 2, 3, 5, 6, 7 | 0 |

Control Modes for Induction Motors (IM)

Setting 0: V/f Control for Induction Motors

V/f Control is for simple speed control and multiple motor applications with low demands to dynamic response or speed accuracy. This control mode should be used when the motor parameters are unknown and Auto-Tuning cannot be performed. The speed control range is 1:40.

Setting 1: V/f Control with PG Speed Feedback

For general-purpose applications that do not require high dynamic response but high speed accuracy. This mode should be used if the motor parameters are unknown and Auto-Tuning cannot be performed. The speed control range is 1:40.

Setting 2: Open Loop Vector Control

For general, variable-speed applications with a speed control range of 1:120 that require precise speed control, quick torque response, and high torque at low speed without using a speed feedback signal from the motor.

Setting 3: Closed Loop Vector Control

For general, variable-speed applications that requiring precise speed control down to zero speed, fast torque response, or precise torque control. A speed feedback signal from the motor is required. The speed control range is up to 1:1500.

Control Modes for Permanent Magnet Motors (SPM or IPM)

Setting 5: Open Loop Vector Control for PM

Use this mode for variable torque applications and take advantage of the energy saving capabilities of a PM motor. Using this mode, the drive can control an SPM or IPM motor with a speed range of 1:20.

Setting 6: Advanced Open Loop Vector Control for PM

This control mode can be used to operate an IPM motor for constant torque applications. Using High Frequency Injection, a speed control range as high as 1:100 is possible. Refer to [Control Mode Selection on page 28](#) for details.

Setting 7: Closed Loop Vector Control for PM

This mode can be used for high precision control of a PM motor in constant torque or variable torque applications. The speed control range reaches 1:1500. A speed feedback signal is required.

■ A1-03: Initialize Parameters

Resets parameters back to the original default values. After initialization, the setting for A1-03 automatically returns to 0.

| No. | Parameter Name | Setting Range | Default |
|-------|-----------------------|---------------------------|---------|
| A1-03 | Initialize Parameters | 0, 1110, 2220, 3330, 5550 | 0 |

Setting 1110: User Initialize

Drive parameters are reset to values selected by the user as User Settings. User Settings are stored when parameter o2-03 is set to “1: Set defaults”.

Note: A “user-initialization” resets all parameters to a user-defined set of default values that were previously saved to the drive. To clear the user-defined default values, set parameter o2-03 to 2.

Setting 2220: 2-Wire Initialization

Resets all parameters back to their original default settings with digital inputs S1 and S2 configured as Forward run and Reverse run, respectively. For more on digital input functions, refer to [Setting 40, 41: Forward run, Reverse run command for 2-wire sequence on page 221](#).

Setting 3330: 3-Wire Initialization

The drive parameters are returned to factory default values with digital inputs S1, S2, and S5 configured as Run, Stop, and Forward/Reverse respectively. Also refer to digital input functions, [Setting 0: 3-Wire Sequence on page 215](#).

Setting 5550: oPE04 Reset

If parameters on a certain drive have been edited and then a different terminal block is installed with different settings saved in its built-in memory, an oPE04 error will appear on the display. To use the parameter settings saved to the terminal block memory, set A1-02 to 5550.

5.1 A: Initialization

Notes on Parameter Initialization

The parameters shown in [Table 5.1](#) will not be reset when the drive is initialized by setting A1-03 = 2220 or 3330. Although the control mode in A1-02 is not reset when A1-03 is set to 2220 or 3330, it may change when an application preset is selected.

Table 5.1 Parameters not Changed by Drive Initialization

| No. | Parameter Name |
|-------|--------------------------------------|
| A1-00 | Language Selection |
| A1-02 | Control Method Selection |
| C6-01 | Duty Selection |
| E1-03 | V/f Pattern Selection |
| E5-01 | Motor Code Selection (for PM motors) |
| F6-08 | Comm. Parameter Reset |
| L8-35 | Installation Selection |
| o2-04 | Drive/kVA Selection |

■ A1-04, A1-05: Password and Password Setting

A1-04 is for entering the password when the drive is locked. A1-05 is a hidden parameter used to set the password.

| No. | Parameter Name | Setting Range | Default |
|-------|------------------|---------------|---------|
| A1-04 | Password | 0000 to 9999 | 0000 |
| A1-05 | Password Setting | | |

How to use the Password

The user can set a password for the drive to restrict access. The password is set to A1-05 and must be entered to A1-04 to unlock parameter access. Until the correct password is entered, the following parameters cannot be viewed or edited: A1-01, A1-02, A1-03, A1-06, and A2-01 through A2-33.

The instructions below demonstrate how to set a new password. Here, the password set is “1234”. An explanation follows on how to enter the password to unlock the parameters.

Table 5.2 Setting the Password for Parameter Lock

| Step | Display/Result |
|---|----------------|
| 1. Turn on the power to the drive. The initial display appears. | |
| 2. Press the or key until the Parameter Setting Mode screen appears. | |
| 3. Press the key to enter the parameter menu tree. | |
| 4. Select the flashing digits by pressing , , or . | |
| 5. Select A1-04 by pressing . | |
| 6. Press the key while holding down at the same time. A1-05 will appear. Note: Because A1-05 is hidden, it will not be displayed by simply pressing the key. | |

| Step | | Display/Result |
|------|---|----------------|
| 7. | Press the key. | |
| 8. | Use , , , and to enter the password. | |
| 9. | Press to save what was entered. | |
| 10. | The display automatically returns to the display shown in step 5. | |

Table 5.3 Check to see if A1-02 is locked (continuing from step 10 above)

| Step | | Display/Result |
|------|---|----------------|
| 1. | Press to display A1-02. | |
| 2. | Press to make sure that the setting values cannot be selected. | |
| 3. | Press to return to the first display. | |

Table 5.4 Enter the Password to Unlock Parameters (continuing from step 4 above)

| Step | | Display/Result |
|------|---|----------------|
| 1. | Press to enter the parameter setup display. | |
| 2. | Press , or to select the flashing digits as shown. | |
| 3. | Press to scroll to A1-04 and . | |
| 4. | Enter the password "1234". | |
| 5. | Press to save the new password. | |

Parameter Details

5

5.1 A: Initialization

| Step | | Display/Result |
|------|---|----------------|
| 6. | Drive returns to the parameter display. | |
| 7. | Press and scroll to A1-02. | |
| 8. | Press to display the value set to A1-02. If the first "2" blinks, parameter settings are unlocked. | |
| 9. | Use or to change the value if desired (though changing the control mode at this point is not typically done). | |
| 10. | Press to save the setting, or press to return to the previous display without saving changes. | |
| 11. | The display automatically returns to the parameter display. | |

Note: Parameter settings can be edited after entering the correct password. Performing a 2-wire or 3-wire initialization resets the password to "0000". Reenter the password to parameter A1-05 after drive initialization.

■ A1-06: Application Preset

Several Application Presets are available to facilitate drive setup for commonly used applications. Selecting one of these Application Presets automatically programs certain parameters to a new set default values and selects the functions for the I/O terminals that best suit the application. All parameters changed when selecting an Application Preset are also assigned to the list of User Parameters, A2-01 through A2-16. These can be edited more easily in the Setup Mode and provide quicker access by eliminating the need to scroll through multiple menus.

Refer to Application Selection on page 103 for details on parameter A1-06.

■ A1-07: DriveWorksEZ Function Selection

DriveWorksEZ is a software package that can be used to customize the drive functionality or add PLC functionality by the interconnection and configuration of basic software function blocks. The drive performs programs created by the user in 1 ms cycles.

Parameter A1-07 can be used to enable or disable the DriveWorksEZ program inside the drive.

- Note:**
1. If DriveWorksEZ has assigned functions to any multi-function output terminals, those functions will remain set to those terminals even after disabling DriveWorksEZ.
 2. For more information on DriveWorksEZ, contact a Yaskawa representative or the Yaskawa sales department directly.

| No. | Parameter Name | Setting Range | Default |
|-------|---------------------------------|---------------|---------|
| A1-07 | DriveWorksEZ Function Selection | 0 to 2 | 0 |

Setting 0: DWEZ disabled

Setting 1: DWEZ enabled

Setting 2: Digital input

If a digital input is programmed for DWEZ enable/disable (H1-□□ = 9F), DWEZ will be enabled when the input is disabled.

◆ A2: User Parameters

■ A2-01 to A2-32: User Parameters 1 to 32

The user can select 32 parameters and assign them to A2-01 through A2-32. This saves time later scrolling through the parameter menu. The list of User Parameters can also track the most recently edited settings and save those parameters to this list.

| No. | Parameter Name | Setting Range | Default |
|----------------|-------------------------|----------------|-------------------------|
| A2-01 to A2-32 | User Parameters 1 to 32 | b1-01 to o2-08 | Determined by A1-06 </> |

<1> A1-06 determines how parameters edited by the user are saved to the list of Preferred Parameters, A2-01 through A2-32. Refer to [Application Selection on page 103](#) for details.

Saving User Parameters

To save specific parameters to A2-01 to A2-32, first set the access level to allow access to all parameters (A1-02 = 2). Next assign the parameter number to the User Parameters list by entering it into one of the A2-□□ parameters. If A1-01 is then set to 1, the access level can be restricted so that users can only set and refer to the specific parameters saved as User Parameters.

■ A2-33: User Parameter Automatic Selection

A2-33 determines whether or not parameters that have been edited are saved to the User Parameters (A2-17 to A2-32) for quick, easy access.

| No. | Parameter Name | Setting Range | Default |
|-------|------------------------------------|---------------|---------------------|
| A2-33 | User Parameter Automatic Selection | 0 or 1 | Determined by A1-06 |

Setting 0: Do not save list of recently viewed parameters.

To manually select the parameters listed in the User Parameter group, set A2-33 to 0.

Setting 1: Save history of recently viewed parameters.

By setting A2-33 to 1, all parameters that were recently edited will be automatically saved to A2-17 through A2-32. A total of 16 parameters are saved with the most recently edited parameter set to A2-17, the second most recently to A2-18, and so on. User Parameters can be accessed using the Setup Mode of the digital operator.

5.2 b: Application

◆ b1: Operation Mode Selection

■ b1-01: Frequency Reference Selection 1

Use parameter b1-01 to select the frequency reference source 1 for the REMOTE mode.

- Note:**
1. If a Run command is input to the drive but the frequency reference entered is 0 or below the minimum frequency, the RUN indicator LED on the digital operator will light and the STOP indicator will flash.
 2. Press the LO/RE key to set the drive to LOCAL and use the operator keypad to enter the frequency reference.

| No. | Parameter Name | Setting Range | Default |
|-------|---------------------------------|---------------|---------|
| b1-01 | Frequency Reference Selection 1 | 0 to 4 | 1 |

Setting 0: Operator keypad

Using this setting, the frequency reference can be input by:

- switching between the multi-speed references in the d1-□□ parameters.
- entering the frequency reference on the operator keypad.

Setting 1: Terminals (analog input terminals)

Using this setting, an analog frequency reference can be entered as a voltage or current signal from terminals A1, A2, or A3.

Voltage Input

Voltage input can be used at any of the three analog input terminals. Make the settings as described in [Table 5.5](#) for the input used.

Table 5.5 Analog Input Settings for Frequency Reference Using Voltage Signals

| Terminal | Signal Level | Parameter Settings | | | | Notes |
|----------|----------------|------------------------|---|-------|-------|--|
| | | Signal Level Selection | Function Selection | Gain | Bias | |
| A1 | 0 to 10 Vd | H3-01 = 0 | H3-02 = 0 (Frequency Reference Bias) | H3-03 | H3-04 | - |
| | -10 to +10 Vdc | H3-01 = 1 | | | | |
| A2 | 0 to 10 Vd | H3-09 = 0 | H3-10 = 0 (Frequency Reference Bias) | H3-11 | H3-12 | Make sure to set DIP switch S1 on the terminal board to "V" for voltage input. |
| | -10 to +10 Vdc | H3-09 = 1 | | | | |
| A3 | 0 to 10 Vd | H3-05 = 0 | H3-06 = 0 (Frequency Reference Bias) | H3-07 | H3-08 | Make sure to set DIP switch S4 on the terminal board to "AI". |
| | -10 to +10 Vdc | H3-05 = 1 | | | | |

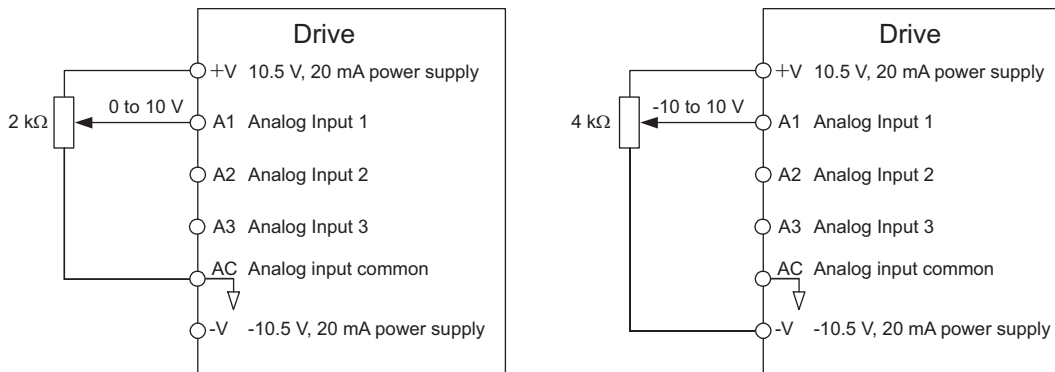


Figure 5.1 Setting the Frequency Reference as a Voltage Signal at Terminal A1

Use the wiring example shown in [Figure 5.1](#) for any other analog input terminals. When using input A2 make sure DIP switch S1 is set for voltage input.

Current Input

Input terminal A2 can accept a current input signal. Refer to [Table 5.6](#) to set terminal A2 for current input.

Table 5.6 Analog Input Settings for Frequency Reference Using a Current Signal

| Terminal | Signal Level | Parameter Settings | | | Notes | |
|----------|--------------|------------------------|-------------------------------|-------|-------|--|
| | | Signal Level Selection | Function Selection | Gain | | |
| A2 | 4 to 20 mA | H3-09 = 2 | H3-10 = 0 (Frequency Bias) | H3-11 | H3-12 | Make sure to set DIP switch S1 on the terminal board to "I" for current input. |
| | 0 to 20 mA | H3-09 = 3 | | | | |

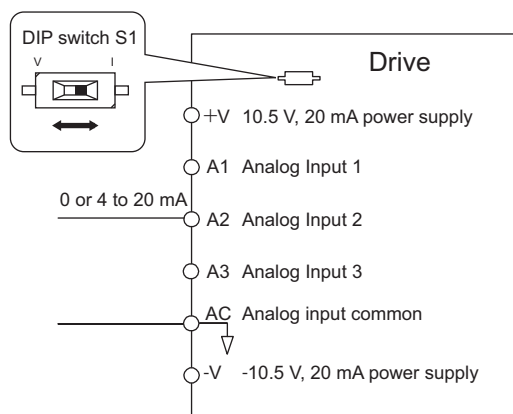


Figure 5.2 Setting the Frequency Reference as a Current Signal to Terminal A2

DIP switch S1 must first be set for current input.

Switching between Main/Auxiliary Frequency References

The frequency reference input can be switched between the analog terminals A1, A2, and A3 using multi-speed inputs. Refer to [Multi-Step Speed Selection on page 180](#) for details on using this function.

Setting 2: MEMOBUS/Modbus Communications

This setting requires that the frequency reference is entered via the RS-485/422 serial communications port (control terminals R+, R-, S+, S-). For instructions, see [MEMOBUS/Modbus Communications on page 477](#).

Setting 3: Option card

This setting requires that the frequency reference is entered via an option board plugged into connector CN5-A on the drives control board. Consult the manual supplied with the option board for instructions on integrating the drive with the communication system.

Note: If the frequency reference source is set for an option PCB (b1-01 = 3), but an option board is not installed, an OPE05 Operator Programming Error will be displayed on the digital operator and the drive will not run.

Setting 4: Pulse Train Input

If b1-01 is set to 4, the frequency reference must be provided by a pulse train signal to terminal RP. Follow the directions below to make sure the pulse signal is working properly.

Verifying Pulse Train is Working Properly

- Make sure that b1-04 is set to 4 and H6-01 is set to 0.
- Set the pulse input scaling H6-02 to the pulse train frequency value that equals 100% of the frequency reference.
- Enter a pulse train signal to terminal RP and check if the correct frequency reference is displayed.

■ b1-02: Run Command Selection 1

Parameter b1-02 determines the Run command source 1 in the REMOTE mode.

| No. | Parameter Name | Setting Range | Default |
|-------|-------------------------|---------------|---------|
| b1-02 | Run Command Selection 1 | 0 to 3 | 1 |

Setting 0: Operator

When the b1-02 = 0, the LO/RE light will switch on and the RUN key will enter a Run command to start the drive.

5.2 b: Application

Setting 1: Control Circuit Terminal

This setting requires that the Run and Stop commands are entered from the digital input terminals. The following sequences can be used:

- 2-wire sequence 1:
Two inputs (FWD/Stop-REV/Stop). Initializing the drive by setting A1-03 = 2220, presets the terminals S1 and S2 to these functions. This is the default setting of the drive. Also refer to [Setting 40, 41: Forward run, Reverse run command for 2-wire sequence on page 221](#).
- 2-wire sequence 2:
Two inputs (Start/Stop-FWD/REV). Also refer to [Setting 42, 43: Run and direction command for 2-wire sequence 2 on page 221](#).
- 3-wire sequence:
Three inputs (Start-Stop-FWD/REV). Initialize the drive by setting A1-03 = 3330 presets the terminals S1, S2, and S5 to these functions. Also refer to [Setting 0: 3-Wire Sequence on page 215](#).

Setting 2: MEMOBUS/Modbus Communications

To issue a Run command via serial communications, set b1-02 to 2 and connect the RS-485/422 serial communication cable to control terminals R+, R-, S+, and S- on the removable terminal block. For instructions, [Refer to MEMOBUS/Modbus Communications on page 477](#).

Setting 3: Option Card

To issue the Run command via the communication option board, set b1-02 to 3 and plug a communication option board into the CN5-A port on the control PCB. Refer to the manual supplied with the option board for instructions on integrating the drive into the communication system.

Note: If b1-02 is set to 3, but an option board is not installed in CN5-A, an oPE05 operator programming error will be displayed on the digital operator and the drive will not run.

■ b1-03: Stopping Method Selection

Select how the drive stops the motor when the Run command is removed or when a Stop command is entered.

| No. | Parameter Name | Setting Range | Default |
|-------|---------------------------|---------------|---------|
| b1-03 | Stopping Method Selection | 0 to 3, 9 | 0 |

Setting 0: Ramp to stop

When the Run command is removed, the drive will decelerate the motor to stop. The deceleration rate is determined by the active deceleration time. The default deceleration time is set to parameter C1-02.

When the output frequency falls below the level set in parameter b2-01, the drive will start DC injection, Zero Speed Control or Short Circuit Braking, depending on the selected control mode. Refer to [b2-01: DC Injection Braking Start Frequency on page 144](#) for details.

Setting 1: Coast to stop

When the Run command is removed, the drive will shut off its output and the motor will coast (uncontrolled deceleration) to stop. The stopping time is determined by the inertia and the friction in the driven system.

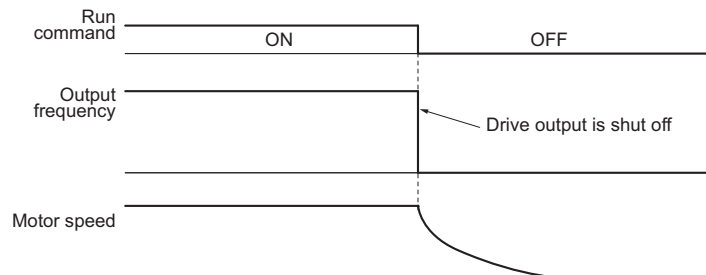


Figure 5.3 Coast to Stop

Note: After a stop is initiated, any subsequent Run command entered will be ignored until the minimum baseblock time (L2-03) has expired. Do not enter Run command until it has come to a complete stop. To start the motor back up before it has stopped completely, use DC Injection at start (refer to [b2-03: DC Injection Braking Time at Start on page 145](#)) or Speed Search (refer to [b3: Speed Search on page 146](#)).

Setting 2: DC Injection Braking to stop

When the Run command is removed, the drive will enter baseblock (turn off its output) for the minimum baseblock time (L2-03). Once the minimum baseblock time has expired, the drive will brake the motor by injecting DC current into the motor windings. The stopping time is significantly faster than when compared with simply coasting to stop. The level of current used for DC Injection Braking is set by parameter b2-02 (default = 50%).

Note: This function is not available in the control modes for PM motors (A1-02 = 5, 6, 7).

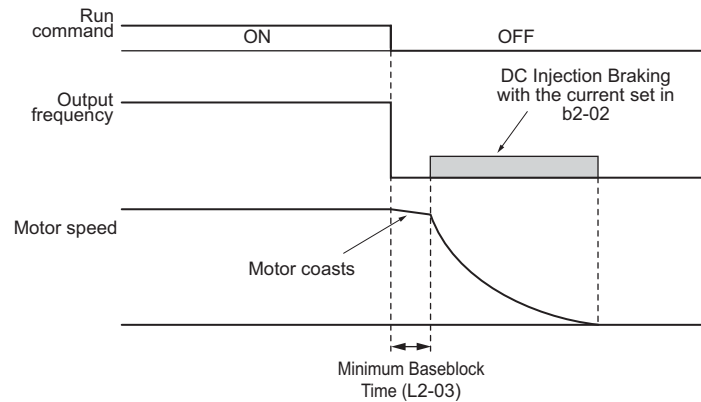


Figure 5.4 DC Injection Braking to Stop

The time for DC Injection Braking is determined by the value set to b2-04 and by the output frequency at the time the Run command is removed. It can be calculated by:

$$\text{DC Injection brake time} = \frac{(b2-04) \times 10 \times \text{Output frequency}}{\text{Max. output frequency (E1-04)}}$$

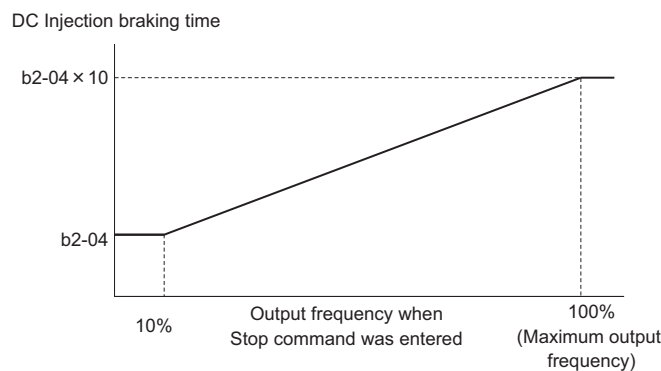


Figure 5.5 DC Injection Braking Time Depending on Output Frequency

Note: If an overcurrent (oC) fault occurs during DC Injection Braking to stop, lengthen the minimum baseblock time (L2-03) until the fault no longer occurs.

Setting 3: Coast to Stop with Timer

When the Run command is removed, the drive will turn off its output and the motor will coast to stop. If a Run command is input before the time t (value of C1-02) has expired, the drive will not start. A Run command activated during time t must be cycled after t has expired in order to start the drive.

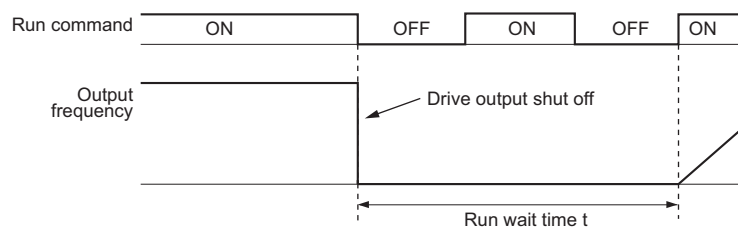


Figure 5.6 Coast to Stop with Timer

5.2 b: Application

The wait time t is determined by the output frequency when the Run command is removed and by the active deceleration time.

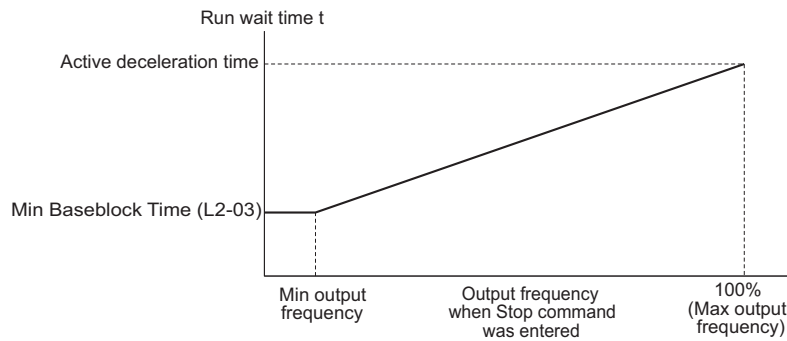


Figure 5.7 Run Wait Time Depending on Output Frequency

Setting 9: Simple Positioning Stop

This method of stopping the motor always decelerates the same distance to stop as shown in [Figure 5.8](#). The stopping distance $S1$ is calculated using the maximum output frequency setting E1-04 and the selected deceleration time. If the drive is stopped from a frequency lower than the maximum speed it keeps the current speed. When the distance traveled becomes equal to $S1 - S2$, the drive decelerates to stop using the current deceleration time. The stopping accuracy can be adjusted using the positioning gain set in parameter d4-12.

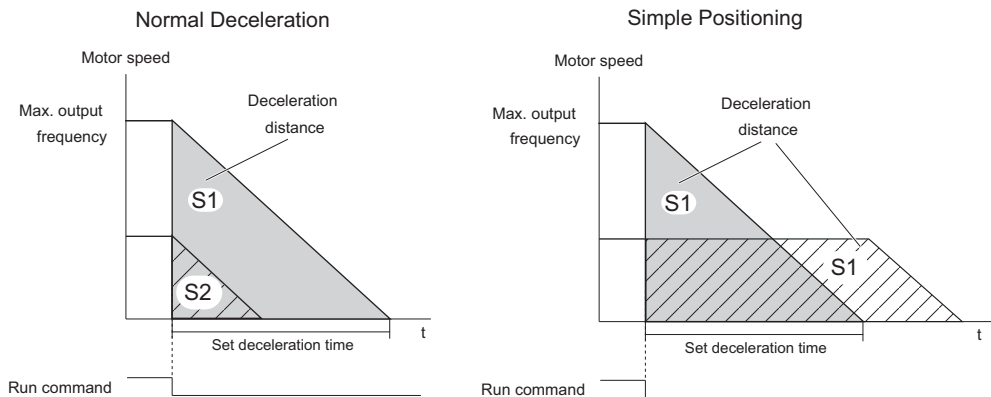


Figure 5.8 Simple Positioning Deceleration

■ b1-04: Reverse Operation Selection

For some applications, reverse motor rotation is not appropriate and may cause problems (e.g., air handling units, pumps, etc.). Setting parameter b1-04 to 1 instructs the drive to ignore any Reverse run commands.

| No. | Parameter Name | Setting Range | Default |
|-------|-----------------------------|---------------|---------|
| b1-04 | Reverse Operation Selection | 0 or 1 | 0 |

Setting 0: Reverse operation enabled

Possible to operate the motor in both forward and reverse directions.

Setting 1: Reverse operation disabled

Drive disregards a Reverse run command or a negative frequency reference.

■ b1-05: Action Selection below Minimum Output Frequency (CLV and CLV/PM)

Parameter b1-05 sets the operation when the frequency reference is lower than the minimum output frequency set in parameter E1-09.

| No. | Parameter Name | Setting Range | Default |
|-------|---|---------------|---------|
| b1-05 | Action Selection below Minimum Output Frequency | 0 to 3 | 0 |

Setting 0: Follow the Frequency Reference

The drive adjusts the motor speed following the speed reference, even if the frequency reference is below the setting of parameter E1-09. When the Run command is removed and the motor speed is smaller than the setting of b2-01, Zero Speed Control (not position lock) is performed for the time set in parameter b2-04 before the drive output shuts off.

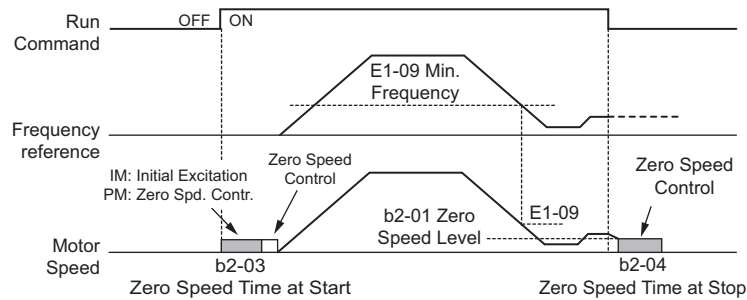


Figure 5.9 Run at the Frequency Reference

Setting 1: Coast to Stop

The motor is started first when the frequency reference exceeds the setting of parameter E1-09. Once the motor is running and the frequency reference falls below E1-09 the drive output is shut off and the motor coasts. When the motor speed falls below the zero speed level set in parameter b2-01, Zero Speed Control is activated for the time set in b2-04.

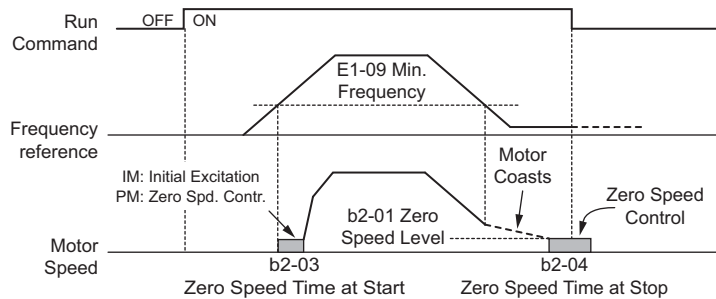


Figure 5.10 Coast to Stop

Setting 2: Run at the minimum frequency

Whenever a Run command is active and the frequency reference is smaller than the value of parameter E1-09, the drive runs the motor at the speed set in E1-09. When the Run command is removed, the drive decelerates the motor. As soon as the motor speed reaches the zero speed level set in b2-01, Zero Speed Control is activated for the time set in b2-04.

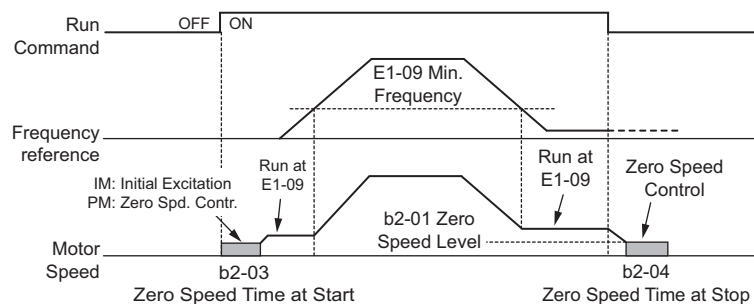


Figure 5.11 Run at the Minimum Frequency

5.2 b: Application

Setting 3: Zero Speed Control

The drive applies Zero Speed Control whenever the frequency reference setting is below the value of parameter E1-09. When the Run command is removed, Zero Speed Control is activated for the time set in b2-04, even if it was already active before.

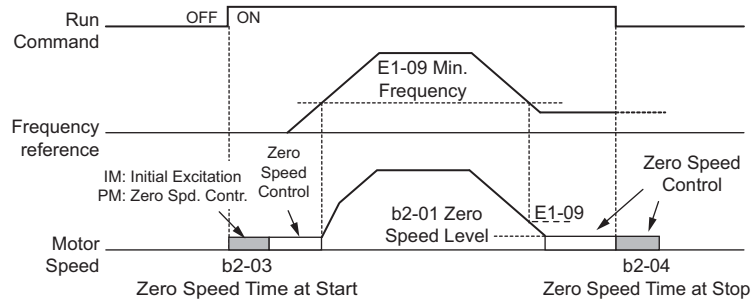


Figure 5.12 Zero Speed Control

■ b1-06: Digital Input Reading

This parameter defines how the digital inputs are read.

| No. | Name | Setting Range | Default |
|-------|-----------------------|---------------|---------|
| b1-06 | Digital Input Reading | 0 or 1 | 1 |

Setting 0: Read once

The state of a digital input is read once. If the state has changed, the input command is immediately processed. With this setting the drive responds more quickly to digital inputs, but a noisy signal could cause erroneous operation.

Setting 1: Read twice

The state of a digital input is read twice. Only if the state does not change during the double reading, the input command is processed. This reading process is slower but more resistant against noisy signals.

■ b1-07: LOCAL/REMOTE Run Selection

The drive has three separate control sources that can be switched using digital inputs (H1-□□ = 1 (LOCAL/REMOTE Selection) or 2 (External reference 1/2)) or the LO/RE key on the digital operator. [Refer to Setting 1: LOCAL/REMOTE selection on page 215](#), [Refer to Setting 2: External reference 1/2 selection on page 216](#) and [Refer to o2-01: LO/RE \(LOCAL/REMOTE\) Key Function Selection on page 285](#) for details.

- LOCAL: Digital operator. The digital operator is used to set the frequency reference and Run command.
- REMOTE: External reference 1. The frequency reference and Run command source are set by b1-01 and b1-02.
- REMOTE: External reference 2. The frequency reference and Run command source are set by b1-15 and b1-16.

When switching from LOCAL to REMOTE, or between External reference 1 and External reference 2, the Run command may already be present at the location the source was switched to. Parameter b1-07 can be used to determine how the Run command is treated in this case.

| No. | Parameter Name | Setting Range | Default |
|-------|----------------------------|---------------|---------|
| b1-07 | LOCAL/REMOTE Run Selection | 0 or 1 | 0 |

Setting 0: Run command must be cycled

When the Run command source is different in the old and new source (e.g., the old source was the terminals and the new source is serial communication), and the Run command is active at the new source as the switch over occurs, the drive will not start or will stop operation if it was running before. The Run command has to be cycled at the new source in order to start the drive again.

Setting 1: Accept Run command at the new source

When the Run command is active at the new source, the drive starts or continues operation if it was running before.

WARNING! The drive may start unexpectedly if switching control sources when b1-07 = 1. Clear all personnel away from rotating machinery and electrical connections prior to switching control sources. Failure to comply may cause death or serious injury.

■ b1-08: Run command selection while in Programming Mode

As a safety precaution, the drive will not normally respond to a Run command input when the digital operator is being used to adjust parameters in the Programming Mode (Verify Menu, Setup Mode, Parameter Settings Mode, and Auto-Tuning Mode). If required by the application, set b1-08 to allow the drive to run while in the Programming Mode.

| No. | Parameter Name | Setting Range | Default |
|-------|---|---------------|---------|
| b1-08 | Run Command Selection while in Programming Mode | 0 to 2 | 0 |

Setting 0: Disabled

A Run command is not accepted while the digital operator is in the Programming Mode.

Setting 1: Enabled

A Run command is accepted in any digital operator mode.

Setting 2: Prohibit programming during run

It is not possible to enter the Programming Mode as long as the drive output is active. The Programming Mode cannot be displayed during Run.

■ b1-14: Phase Order Selection

Sets the phase order for drive output terminals U/T1, V/T2, and W/T3.

Switching motor phases will reverse the direction of the motor.

| No. | Parameter Name | Setting Range | Default |
|-------|-----------------------|---------------|---------|
| b1-14 | Phase Order Selection | 0 or 1 | 0 |

Setting 0: Standard phase order

Setting 1: Switched phase order

■ b1-15: Frequency Reference Selection 2

Refer to b1-01: Frequency Reference Selection 1 on page 136.

| No. | Parameter Name | Setting Range | Default |
|-------|---------------------------------|---------------|---------|
| b1-15 | Frequency Reference Selection 2 | 0 to 4 | 0 |

■ b1-16: Run Command Selection 2

Refer to b1-02: Run Command Selection 1 on page 137.

| No. | Parameter Name | Setting Range | Default |
|-------|-------------------------|---------------|---------|
| b1-16 | Run Command Selection 2 | 0 to 3 | 0 |

■ b1-17: Run Command at Power Up

This parameter is used to determine whether an external Run command that is active during power up will start the drive or not.

| No. | Parameter Name | Setting Range | Default |
|-------|-------------------------|---------------|---------|
| b1-17 | Run Command at Power Up | 0 or 1 | 0 |

Setting 0: Run command at power up is not issued

The Run command has to be cycled to start the drive.

Note: For safety reasons, the drive is initially programmed not to accept a Run command at power up (b1-17 = 0). If a Run command is issued at power up, the RUN indicator LED will flash quickly.

5.2 b: Application

Setting 1: Run command and power up is issued

If an external Run command is active when the drive is powered up, then the drive will start to operate the motor as soon as it gets ready for operation (i.e., once the internal start up process is complete).

WARNING! Sudden Movement Hazard. If b1-17 is set to 1 and an external Run command is active during power up, the motor will begin rotating as soon as the power is switched on. Proper precautions must be taken to ensure that the area around the motor is safe prior to powering up the drive. Failure to comply may cause serious injury.

◆ b2: DC Injection Braking and Short Circuit Braking

These parameters determine how the DC Injection Braking, Zero Speed Control, and Short Circuit Braking features operate.

■ b2-01: DC Injection Braking Start Frequency

Parameter b2-01 is active when “Ramp to stop” is selected as the stopping method (b1-03 = 0).

| No. | Name | Setting Range | Default |
|-------|--------------------------------------|----------------|---------------------|
| b2-01 | DC Injection Braking Start Frequency | 0.0 to 10.0 Hz | Determined by A1-02 |

The function triggered by parameter b2-01 depends on the control mode that has been selected.

V/f, V/f w/PG and OLV (A1-02 = 0, 1, 2)

For these control modes, parameter b2-01 sets the starting frequency for DC Injection Braking at stop. Once the output frequency falls below the setting of b2-01, DC Injection Braking is enabled for the time set in parameter b2-04.

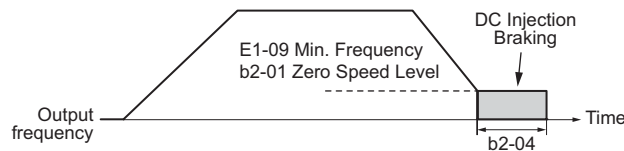


Figure 5.13 DC Injection Braking at Stop for V/f, V/f w/PG and OLV

Note: If b2-01 is set to a smaller value than parameter E1-09 (minimum frequency), then DC Injection Braking will begin as soon as the frequency falls to the value set to E1-09.

OLV/PM and AOLV/PM (A1-02 = 5, 6)

For these control modes, parameter b2-01 sets the starting frequency for Short-Circuit Braking at stop. Once the output frequency falls below the setting of b2-01, Short-Circuit Braking is enabled for the time set in parameter b2-13. If DC Injection Braking time is enabled at stop, then DC Injection Braking is performed for the time set in b2-04 after Short-Circuit Braking is complete.

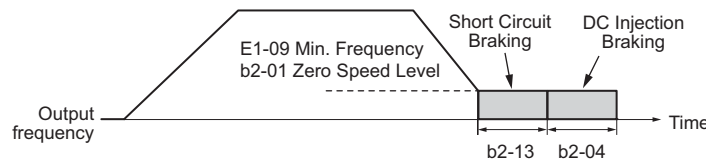


Figure 5.14 Short-Circuit Braking at Stop in OLV/PM and AOLV/PM

Note: If b2-01 is set to a smaller value than parameter E1-09 (minimum frequency), then DC Injection Braking will begin as soon as the frequency falls to the value set to E1-09.

CLV and CLV/PM (A1-02 = 3, 7)

For these control modes, parameter b2-01 sets the starting frequency for Zero Speed Control (not position lock) at stop. Once the output frequency falls below the setting of b2-01, Zero Speed Control is enabled for the time set in parameter b2-04 if b1-05 = 0.

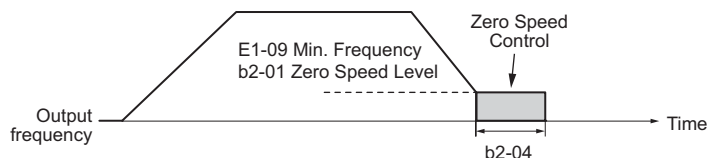


Figure 5.15 Zero Speed Control at Stop in CLV and CLV/PM

Note: If b2-01 is set to lower than the minimum frequency (E1-09), then Zero Speed Control begins at the frequency set to E1-09.

■ b2-02: DC Injection Braking Current

Sets the DC Injection Braking current as a percentage of the drive rated current. If set larger than 50%, the carrier frequency is automatically reduced to 1 kHz.

| No. | Name | Setting Range | Default |
|-------|------------------------------|---------------|---------|
| b2-02 | DC Injection Braking Current | 0 to 100% | 50% |

The level of DC Injection Braking current affects the strength of the magnetic field attempting to lock the motor shaft. Increasing the current level will increase the amount of heat generated by the motor windings. This parameter should only be increased to the level necessary to hold the motor shaft.

■ b2-03: DC Injection Braking Time at Start

Sets the time of DC Injection Braking (Zero Speed Control when in CLV and CLV/PM) at start. Used to stop a coasting motor before restarting it or to apply braking torque at start. Disabled when set to 0.00 s.

| No. | Name | Setting Range | Default |
|-------|------------------------------------|-----------------|---------|
| b2-03 | DC Injection Braking Time at Start | 0.00 to 10.00 s | 0.00 s |

Note: Before starting an uncontrolled rotating motor (e.g., a fan motor driven by windmill effect), DC Injection or Speed Search should be used to either stop the motor or detect its speed before starting it. Otherwise motor stalling and other faults can occur.

■ b2-04: DC Injection Braking Time at Stop

Sets the time of DC Injection Braking (Zero Speed Control when in CLV and CLV/PM) at stop. Used to completely stop a motor with high inertia load after ramp down. Increase the value if the motor still coasts by inertia after it should have stopped. Disabled when set to 0.00 s.

| No. | Name | Setting Range | Default |
|-------|-----------------------------------|-----------------|---------------------|
| b2-04 | DC Injection Braking Time at Stop | 0.00 to 10.00 s | Determined by A1-02 |

■ b2-08: Magnetic Flux Compensation Value

Sets the magnetic flux compensation at start as a percentage of the no-load current value (E2-03). This function allows better more flux to develop, making it easier to start machines that require high starting torque or motors with a large rotor time constant.

| No. | Name | Setting Range | Default |
|-------|----------------------------------|---------------|---------|
| b2-08 | Magnetic Flux Compensation Value | 0 to 1000% | 0% |

When a Run command is issued, the DC current level injected into the motor changes linearly from the level set to b2-08 to E2-03 within the time set to b2-03.

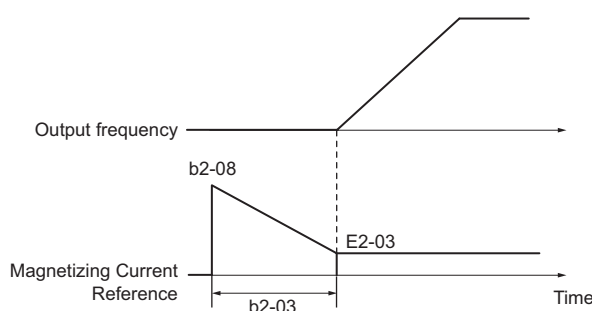


Figure 5.16 Magnetic Flux Compensation

Note that the level of the DC current injected to the motor is limited to 80% of the drive rated current or to the motor rated current, whichever value is smaller.

- Note:**
1. If b2-08 is set below 100%, it can take a relatively long time for flux to develop.
 2. If b2-08 is set to 0%, the DC current level will be the DC Injection current set to b2-02.
 3. As DC Injection can generate a fair amount of noise, b2-08 may need to be adjusted to keep noise levels acceptable.

5.2 b: Application

■ b2-12: Short Circuit Brake Time at Start

Short Circuit Braking can be used in OLV/PM and AOLV/PM. By shorting all three motor phases, it produces a braking torque in the motor and can be used to stop a coasting motor before starting it again.

Parameter b2-12 sets the time for Short-Circuit Brake operation at start. Disabled when set to 0.00 s.

| No. | Name | Setting Range | Default |
|-------|-----------------------------------|-----------------|---------|
| b2-12 | Short Circuit Brake Time at Start | 0.00 to 25.50 s | 0.00 s |

Note: Short Circuit Braking cannot prevent a PM motor from being rotated by an external force. To prevent the load from rotating the motor, use DC Injection.

■ b2-13: Short Circuit Brake Time at Stop

The Short Circuit Braking described for parameter b2-12 can also be applied at the end of deceleration in order to completely stop high inertia loads. Short Circuit Braking is initiated for the time set in b2-13 when the output frequency falls below the higher of the values b1-02 and E1-09. Parameter b2-13 sets the time for Short Circuit Braking at stop. Disabled when set to 0.00 s.

| No. | Name | Setting Range | Default |
|-------|----------------------------------|-----------------|---------|
| b2-13 | Short Circuit Brake Time at Stop | 0.00 to 25.50 s | 0.50 s |

■ b2-18: Short Circuit Braking Current

Parameter b2-18 sets the current level for Short Circuit Braking operation as a percentage of the motor rated current. Even though a higher current level can be set using b2-18, the Short Circuit Braking current will not be higher than the drive rated current (120% for Normal Duty, 150% for Heavy Duty).

| No. | Name | Setting Range | Default |
|-------|-------------------------------|---------------|---------|
| b2-18 | Short Circuit Braking Current | 0.0 to 200.0% | 100.0% |

◆ b3: Speed Search

The Speed Search function allows the drive to detect the speed of a rotating motor shaft that is driven by external forces (e.g., a fan rotating by windmill effect or motor driven by load inertia). The motor operation can be directly started from the speed detected without needing to stop the machine before.

Example: When a momentary loss of power occurs, the drive output shuts off. This results in a coasting motor. When power returns, the drive can find the speed of the coasting motor and restart it directly.

For PM motors, only parameter b3-01 is needed to enable Speed Search.

For induction motors, the drive offers two types of Speed Search that can be selected by parameter b3-24 (Speed Estimation and Current Detection). Both methods are explained below, then followed by a description of all relevant parameters.

■ Current Detection Speed Search (b3-24 = 0)

Current Detection Speed Search is for use with IM motors. Current Detection Speed Search detects the motor speed by looking at motor current. When Speed Search is started it reduces the output frequency starting either from the maximum output frequency or the frequency reference while increasing the output voltage using the time set in parameter L2-04. As long as the current is higher than the level set in b3-02, the output frequency is lowered using the time constant b3-03. If the current falls below b3-02, the drive assumes that the output frequency and motor speed are the same and accelerates or decelerates to the frequency reference.

Be aware that sudden acceleration may occur when using this method of Speed Search with relatively light loads.

The following time chart illustrates how Current Detection Speed Search operates after a momentary power loss (L2-01 must be set to 1 or 2):

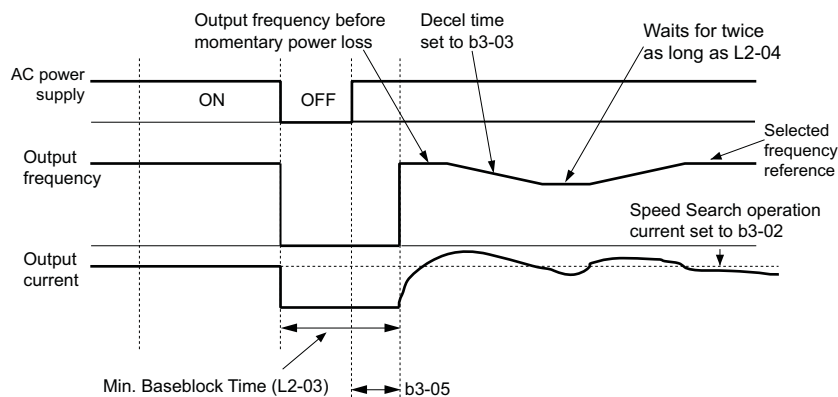


Figure 5.17 Current Detection Speed Search after Power Loss

Note: After power is restored, the drive waits until the time set to b3-05 has passed before performing Speed Search. Thereby the Speed Search may start not at the end of L2-03 but even later.

When Speed Search is applied automatically with the Run command, the drive waits for the minimum baseblock time L2-03 before Speed Search is started. If L2-03 is smaller than the time set in parameter b3-05, then b3-05 is used as the wait time.

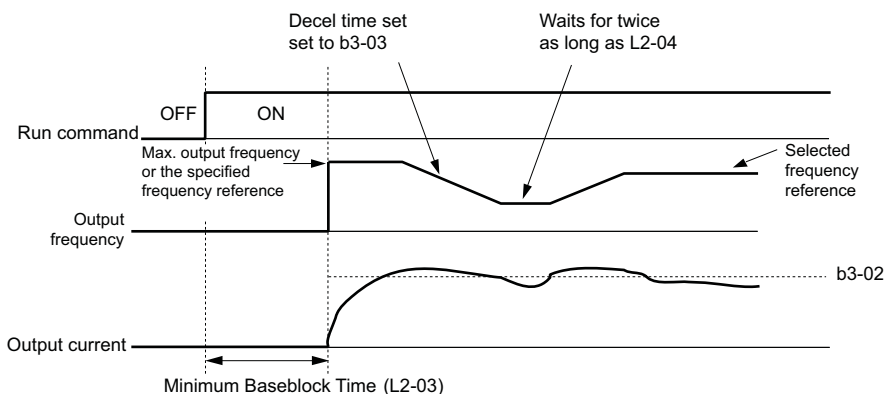


Figure 5.18 Current Detection Speed Search at Start or Speed Search Command by Digital Input

Notes on Using Current Detection Type Speed Search

- Shorten the Speed Search deceleration time set to b3-03 if an oL1 fault occurs while performing Current Detection Speed Search.
- Current Detection Speed Search is not available when using Open Loop Vector Control for PM motors.
- Increase the minimum baseblock time set to L2-03 if an overcurrent or overvoltage fault occurs when performing Speed Search after power is restored following a momentary power loss.

■ Speed Estimation Type Speed Search (b3-24 = 1)

This method can be used for a single induction motor connected to a drive. It should not be used if the motor is one or more frame sizes smaller than the drive, at motor speeds above 200 Hz, or when using a single drive to operate more than one motor.

Speed Estimation is executed in two steps as described below.

Step 1: Back EMF Voltage Estimation

This method is used by Speed Search after short baseblock (e.g., a power loss where the drive's CPU kept running and the Run command was kept active). Here, the drive estimates the motor speed by analyzing the back EMF voltage. It outputs the estimated frequency and increases the voltage using the time constant set in parameter L2-04. After that, the motor is accelerated or decelerated to the frequency reference starting from the detected speed. If there is not enough residual voltage in the motor windings to perform the calculations described above, then the drive will automatically proceed to step 2.

5.2 b: Application

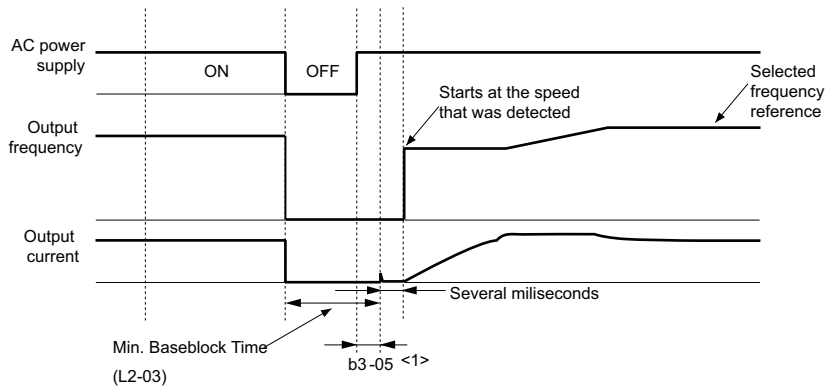


Figure 5.19 Speed Search after Baseblock

- <1> Once AC power is restored, the drive will wait for at least the time set to b3-05. If the power interruption is longer than the minimum baseblock time set to L2-03, the drive will wait until the time set to b3-05 has passed after power is restored before starting Speed Search.

Step 2: Current Injection

Current Injection is performed when there is not enough residual voltage remaining in the motor. This might occur after longer power losses, when Speed Search is applied with the Run command (b3-01 = 1), or if an External search command is used. It injects the DC current set in b3-06 to the motor and detects the speed by measuring the current feedback. The drive outputs the detected frequency and increases the voltage using the time constant set in parameter L2-04 while looking at the motor current. If the current is higher than the level in b3-02, then the output frequency is reduced. When the current falls below b3-02, the motor speed is assumed to be found and the drive starts to accelerate or decelerate to the frequency reference.

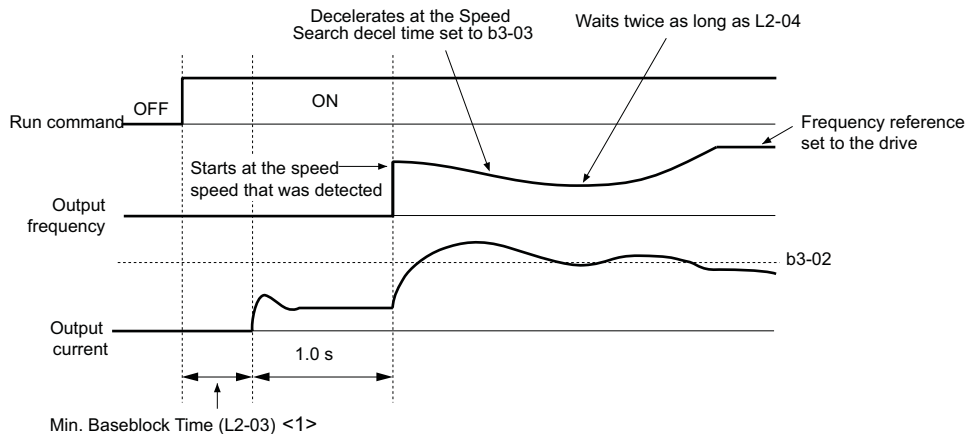


Figure 5.20 Speed Search at Start

- <1> The wait time for Speed Search (b3-05) determines the lower limit.

Notes on Using Speed Estimation Speed Search

- Rotational Auto-Tuning for V/f Control (T1-01 = 3) needs to be first performed if you plan to use Speed Estimation in V/f Control. Perform Stationary Auto-Tuning for Line-to-Line Resistance (T1-01 = 2) again if there is a change in the cable length between the drive and motor.
- Use Current Detection to search for speeds beyond 200 Hz, if the application is running multiple motors from the same drive, or if the motor is considerably smaller than the capacity of the drive.
- Speed Estimation may have trouble finding the actual speed if the motor cable is very long. Current Detection should be used in such situations.
- Use Current Detection instead of Speed Estimation when operating motors smaller than 1.5 kW. Speed Estimation can end up stopping smaller motors, as it might not be able to detect the speed or rotation direction of such small motors.
- Short Circuit Braking is recommended instead of Speed Search when using OLV/PM and AOLV/PM along with a fairly long motor cable.
- Use Short Circuit Braking instead of Speed Search if attempting to find the speed of a motor coasting faster than 200 Hz in OLV/PM and AOLV/PM.

■ Activating of Speed Search

Speed Search can be activated as described below. Note that the Speed Search type must be selected in parameter b3-24 independent of the activation method.

1. Automatically activate Speed Search with every Run command. Here, external Speed Search commands are ignored.
2. Activate Speed Search using the digital input terminals.

The following input functions for H1-□□ can be used.

Table 5.7 Speed Search Activation by Digital Inputs

| Setting | Description | b3-24 = 0 | b3-24 = 1 |
|---------|---------------------------|--|--|
| 61 | External Search Command 1 | Closed: Activate Current Detection Speed Search from the maximum output frequency (E1-04). | Activate Speed Estimation Speed Search |
| 62 | External Search Command 2 | Closed: Activate Current Detection Speed Search from the frequency reference. | |

To activate Speed Search by a digital input, the input must always be set together with the Run command, or the Run command must be entered after the Speed Search command is given.

3. After automatic fault restart

When the number of maximum fault restarts in parameter L5-01 is set higher than 0, the drive will automatically perform Speed Search as specified by b3-24 following a fault.

4. After momentary power loss

This mode requires that the Power Loss Ride-Thru function be enabled always or at least enabled during CPU operation (L2-01 = 1 or 2). *Refer to L2-01: Momentary Power Loss Operation Selection on page 249*

5. After external baseblock is released

The drive will resume the operation starting with Speed Search if the Run command is present and the output frequency is above the minimum frequency when the Baseblock command (H1-□□ = 8 or 9) is released. For this operation mode, set the operation during an external Baseblock command to hold the output frequency (H1-13 = 0).

■ b3-01: Speed Search Selection at Start

Determines if Speed Search is automatically performed when a Run command is issued or not.

| No. | Parameter Name | Setting Range | Default |
|-------|---------------------------------|---------------|---------------------|
| b3-01 | Speed Search Selection at Start | 0 or 1 | Determined by A1-02 |

Setting 0: Disabled

When the Run command is entered, the drive starts operating at the minimum output frequency. If external Speed Search 1 or 2 is already enabled by a digital input, the drive will start operating with Speed Search.

Setting 1: Enabled

Speed Search is performed whenever the Run command is entered. The drive begins running the motor once Speed Search is complete.

■ b3-02: Speed Search Deactivation Current

Sets the operating current for Speed Search as a percentage of the drive rated current. Normally there is no need to change this setting. If the drive has trouble restarting, try lowering this value.

| No. | Name | Setting Range | Default |
|-------|-----------------------------------|---------------|---------------------|
| b3-02 | Speed Search Deactivation Current | 0 to 200% | Determined by A1-02 |

Note: When parameter A1-02 = 0 (V/f Control) the factory default setting is 120. When parameter A1-02 = 2 (Open Loop Vector) the factory default setting is 100.

■ b3-03: Speed Search Deceleration Time

Parameter b3-03 sets the output frequency reduction ramp used by Current Detection Speed Search (b3-24 = 0) and by the Current Injection Method of Speed Estimation (b3-24 = 1). The time entered into b3-03 will be the time to decelerate from maximum frequency (E1-04) to minimum frequency (E1-09).

| No. | Name | Setting Range | Default |
|-------|--------------------------------|---------------|---------|
| b3-03 | Speed Search Deceleration Time | 0.1 to 10.0 s | 2.0 s |

5.2 b: Application

■ b3-04: V/f Gain During Speed Search

During Speed Search, the output voltage calculated from the V/f pattern is multiplied with the value set in parameter b3-04. Changing this setting can be useful in order to reduce the output current during Speed Search.

| No. | Name | Setting Range | Default |
|-------|------------------------------|---------------|---------------------|
| b3-04 | V/f Gain During Speed Search | 10 to 100% | Determined by o2-04 |

■ b3-05: Speed Search Delay Time

In cases where an output contactor is used between the drive and the motor, the contactor must be closed before Speed Search can be performed. This parameter can be used to delay the Speed Search operation, giving the contactor enough time to close completely.

| No. | Name | Setting Range | Default |
|-------|-------------------------|----------------|---------|
| b3-05 | Speed Search Delay Time | 0.0 to 100.0 s | 0.2 s |

■ b3-06: Output Current 1 During Speed Search

Sets the current injected to the motor at the beginning of Speed Estimation Speed Search as a factor of the motor rated current set in E2-01 (E4-01 for motor 2). If the motor speed is relatively slow when the drive starts to perform Speed Search after a long period of baseblock, it may be helpful to increase the setting value. The output current during Speed Search is automatically limited by the drive rated current.

| No. | Name | Setting Range | Default |
|-------|--------------------------------------|---------------|---------------------|
| b3-06 | Output Current 1 during Speed Search | 0.0 to 2.0 | Determined by o2-04 |

Note: If Speed Estimation is not working correctly even after adjusting b3-06, try using Current Detection Speed Search instead.

■ b3-10: Speed Search Detection Compensation Gain

This parameter sets the gain for the detected motor speed of the Speed Estimation Speed Search. The setting should be increased only if an overvoltage fault occurs when the drive restarts the motor.

| No. | Name | Setting Range | Default |
|-------|--|---------------|---------|
| b3-10 | Speed Search Detection Compensation Gain | 1.00 to 1.20 | 1.05 |

■ b3-14: Bi-Directional Speed Search Selection

Sets how the drive determines the motor rotation direction when performing Speed Estimation Speed Search.

| No. | Parameter Name | Setting Range | Default |
|-------|---------------------------------------|---------------|---------------------|
| b3-14 | Bi-Directional Speed Search Selection | 0 or 1 | Determined by A1-02 |

Setting 0: Disabled

The drive uses the frequency reference to determine the direction of motor rotation in order to restart the motor.

Setting 1: Enabled

The drive detects the motor rotation direction in order to restart the motor.

■ b3-17: Speed Search Restart Current Level

A large current can flow into the drive if there is a fairly large difference between the estimated frequency and the actual motor speed when performing Speed Estimation. This parameter sets the current level at which Speed Estimation is restarted, thus avoiding overcurrent and overvoltage problems. Set as a percentage of the drive rated current.

| No. | Name | Setting Range | Default |
|-------|------------------------------------|---------------|---------|
| b3-17 | Speed Search Restart Current Level | 0 to 200% | 150% |

■ b3-18: Speed Search Restart Detection Time

Sets the time that the current must be greater than the level set in b3-17 before Speed Search can be restarted.

| No. | Name | Setting Range | Default |
|-------|-------------------------------------|----------------|---------|
| b3-18 | Speed Search Restart Detection Time | 0.00 to 1.00 s | 0.10 s |

■ b3-19: Number of Speed Search Restarts

Sets the number of times the drive should attempt to find the speed and restart the motor. If the number of restart attempts exceeds the value set to b3-19, the SEr fault will occur and the drive will stop.

| No. | Name | Setting Range | Default |
|-------|---------------------------------|---------------|---------|
| b3-19 | Number of Speed Search Restarts | 0 to 10 | 3 |

■ b3-24: Speed Search Method Selection

Sets the Speed Search method used.

| No. | Parameter Name | Setting Range | Default |
|-------|-------------------------------|---------------|---------|
| b3-24 | Speed Search Method Selection | 0 or 1 | 0 |

Setting 0: Current Detection Speed Search

Setting 1: Speed Estimation Speed Search

Note: For explanations of the Speed Search methods, *Refer to Current Detection Speed Search (b3-24 = 0) on page 146* and *Refer to Speed Estimation Type Speed Search (b3-24 = 1) on page 147*.

■ b3-25: Speed Search Wait Time

Sets the wait time between Speed Search restarts. Increase the wait time if problems occur with overcurrent, overvoltage, or if the SEr fault occurs.

| No. | Name | Setting Range | Default |
|-------|------------------------|---------------|---------|
| b3-25 | Speed Search Wait Time | 0.0 to 30.0 s | 0.5 s |

◆ b4: Delay Timers

The timer function is independent of drive operation and can be used to delay the switching of a digital output triggered by a digital input signal. An on-delay and off-delay can be separately set. The delay timer can help to get rid of chattering switch noise from sensors.

To enable the timer function, a multi-function input must be set to “Timer input” (H1-□□=18) and a multi-function output must be set to “Timer output” (H2-□□=12). One timer can be used only.

■ b4-01, b4-02: Timer Function On-Delay, Off-Delay Time

b4-01 sets the on-delay time for switching the timer output. b4-02 sets the off-delay time for switching the timer output.

| No. | Name | Setting Range | Default |
|-------|-------------------------------|-----------------|---------|
| b4-01 | Timer Function On-Delay Time | 0.0 to 3000.0 s | 0.0 s |
| b4-02 | Timer Function Off-Delay Time | 0.0 to 3000.0 s | 0.0 s |

■ Timer Function Operation

When the timer function input closes for longer than the value set in b4-01, the timer output switches on. When the timer function input is open for longer than the value set in b4-02, the timer output function switches off. The following diagram demonstrates the timer function operation.

5.2 b: Application

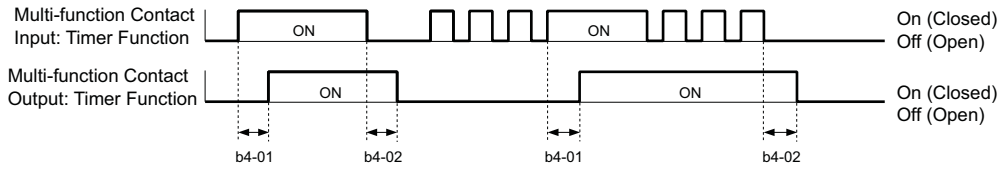


Figure 5.21 Timer Operation

◆ b5: PID Control

The drive has a built in PID (Proportional + Integral + Derivative) controller that can be used for closed loop control of system variables such as pressure, temperature, and so on. The difference between the target and the feedback value (deviation) is fed into the PID controller. The PID controller adjusts the drive output frequency in order to minimize the deviation, providing accurate control of system variables.

■ P Control

The output of P control is the product of the deviation and the P gain so that it follows the deviation directly and linearly. With P control, only an offset between the target and feedback remains.

■ I Control

The output of I control is the integral of the deviation. It minimizes the offset between target and feedback value that typically remains when pure P control is used. The integral time (I time) constant determines how fast the offset is eliminated.

■ D Control

D control predicts the deviation signal by multiplying its derivative (slope of the deviation) with a time constant, then adds this value to the PID input. This way the D portion of a PID controller provides a braking action to the controller response and can reduce the tendency to oscillate and overshoot.

Be aware that D control tends to amplify noise on the deviation signal, which can result in control instability. D control should therefore only be used when necessary.

■ PID Operation

To better demonstrate how PID works, the diagram below shows how the PID output changes when the PID input (deviation) jumps from 0 to a constant level.

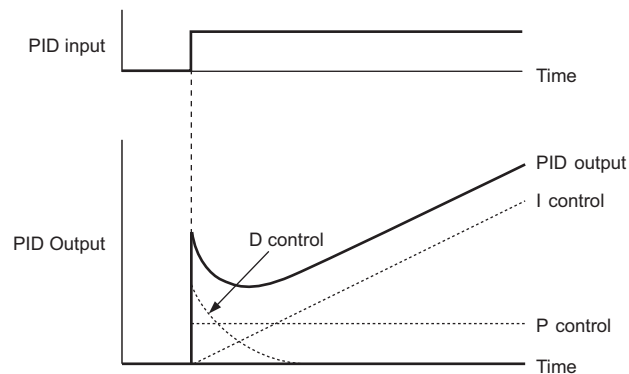


Figure 5.22 PID Operation

■ Using PID Control

Applications for PID control are listed in the table below.

| Application | Description | Sensors Used |
|---------------------|---|---------------------------|
| Speed Control | Machinery speed is fed back and adjusted to meet the target value. Synchronous control is performed using speed data from other machinery as the target value | Tachometer |
| Pressure | Maintains constant pressure using pressure feedback. | Pressure sensor |
| Fluid Control | Keeps flow at a constant level by feeding back flow data. | Flow rate sensor |
| Temperature Control | Maintains a constant temperature by controlling a fan with a thermostat. | Thermocoupler, Thermistor |

■ PID Setpoint Input Methods

The PID setpoint input depends on the PID function setting in parameter b5-01.

If parameter b5-01 is set to 1 or 2, the frequency reference in b1-01 (or b1-15) or one of the inputs listed in [Table 5.8](#) becomes the PID setpoint.

If b5-01 is set to 3 or 4, then the PID setpoint can be input from one of the sources listed in [Table 5.8](#).

Table 5.8 PID Setpoint Sources

| PID Setpoint Source | Settings |
|-------------------------------|---|
| Analog Input A1 | Set H3-02 = C |
| Analog Input A2 | Set H3-10 = C |
| Analog Input A3 | Set H3-06 = C |
| MEMOBUS/Modbus Register 0006H | Set bit 1 in register 000FH to 1 and input the setpoint to register 0006H |
| Pulse Input RP | Set H6-01 = 2 |
| Parameter b5-19 | Set parameter b5-18 = 1 and input the PID setpoint to b5-19 |

Note: A duplicate allocation of the PID setpoint input will result in an oPE alarm.

■ PID Feedback Input Methods

Either one feedback signal can be input for normal PID control, or two feedback signals can be input for controlling a differential process value.

Normal PID Feedback

The PID feedback signal can be input from one of the sources listed below.

Table 5.9 PID Feedback Sources

| PID Feedback Source | Settings |
|---------------------|---------------|
| Analog Input A1 | Set H3-02 = B |
| Analog Input A2 | Set H3-10 = B |
| Analog Input A3 | Set H3-06 = B |
| Pulse Input RP | Set H6-01 = 1 |

Note: A duplicate allocation of the PID feedback input will result in an oPE alarm.

Differential Feedback

The second PID feedback signal for differential feedback can come from the sources listed below. The differential feedback function is automatically enabled when a differential feedback input is assigned.

Table 5.10 PID Differential Feedback Sources

| PID Differential Feedback Source | Settings |
|----------------------------------|----------------|
| Analog Input A1 | Set H3-02 = 16 |
| Analog Input A2 | Set H3-10 = 16 |
| Analog Input A3 | Set H3-06 = 16 |

Note: A duplicate allocation of the PID differential feedback input will result in an oPE alarm.

PID Block Diagram

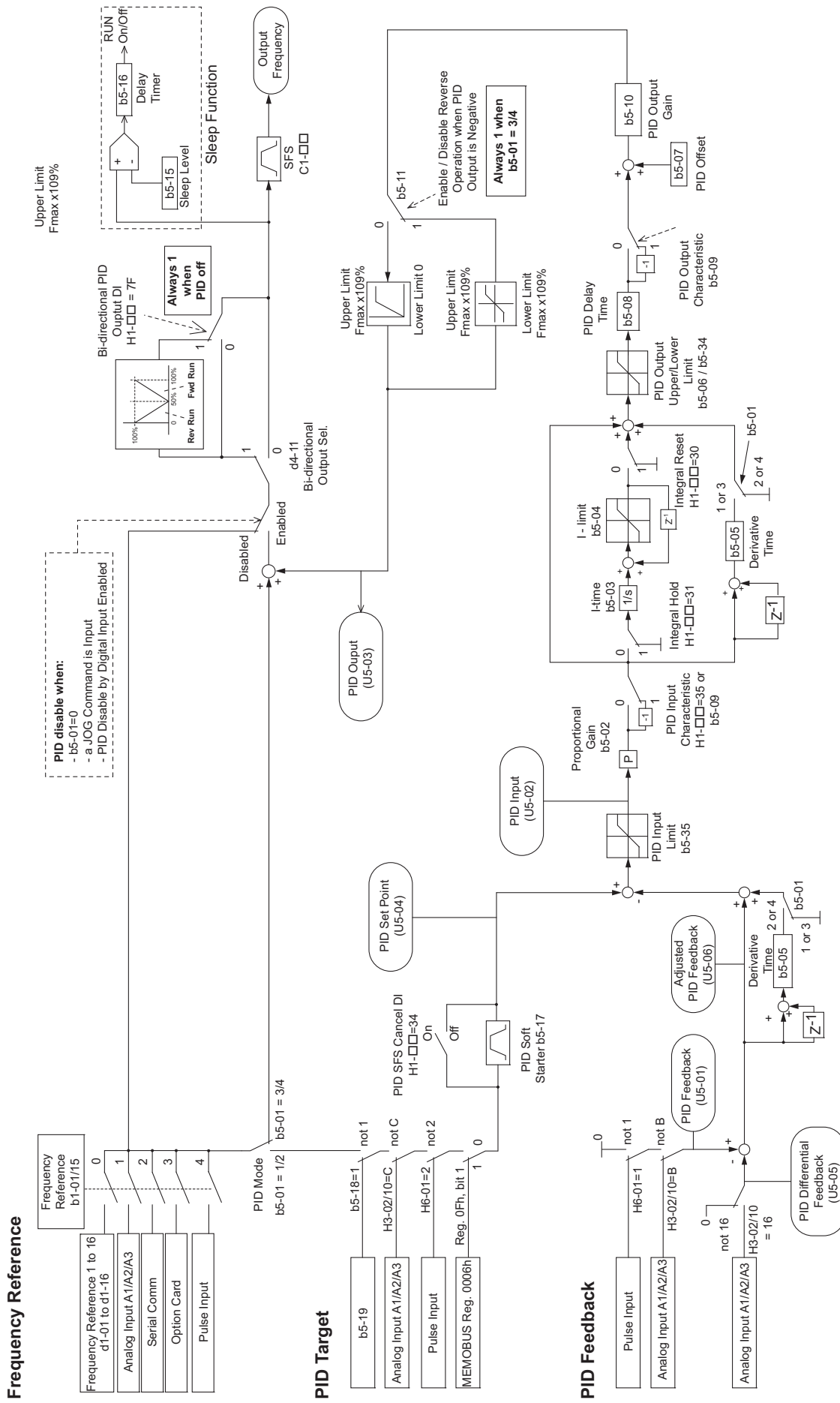


Figure 5.23 PID Block Diagram

■ b5-01: PID Function Setting

Enables or disables the PID operation and selects the PID operation mode.

| No. | Parameter Name | Setting Range | Default |
|-------|----------------------|---------------|---------|
| b5-01 | PID Function Setting | 0 to 4 | 0 |

Setting 0: PID disabled

Setting 1: Output frequency = PID output 1

The PID controller is enabled and the PID output builds the frequency reference. The PID input is D controlled.

Setting 2: Output frequency = PID output 2

The PID controller is enabled and the PID output builds the frequency reference. The PID feedback is D controlled.

Setting 3: Output frequency = frequency reference + PID output 1

The PID controller is enabled and the PID output is added to the frequency reference. The PID input is D controlled.

Setting 4: Output frequency = frequency reference + PID output 2

The PID controller is enabled and the PID output is added to the frequency reference. The PID feedback is D controlled.

■ b5-02: Proportional Gain Setting (P)

Sets the P gain that is applied to the PID input. A large value will tend to reduce the error, but may cause instability (oscillations) if set too high. A low value may allow too much offset between the setpoint and feedback.

| No. | Name | Setting Range | Default |
|-------|-------------------------------|---------------|---------|
| b5-02 | Proportional Gain Setting (P) | 0.00 to 25.00 | 1.00 |

■ b5-03: Integral Time Setting (I)

Sets the time constant that is used to calculate the integral of the PID input. The smaller the integral time set to b5-03, the faster the offset will be eliminated. If set too short, it can cause overshoot or oscillation. To turn off the integral time, set b5-03 = 0.00.

| No. | Name | Setting Range | Default |
|-------|---------------------------|----------------|---------|
| b5-03 | Integral Time Setting (I) | 0.0 to 360.0 s | 1.0 s |

■ b5-04: Integral Limit Setting

Sets the maximum output possible from the integral block. Set as a percentage of the maximum frequency (E1-04).

| No. | Name | Setting Range | Default |
|-------|------------------------|---------------|---------|
| b5-04 | Integral Limit Setting | 0.0 to 100.0% | 100.0% |

Note: On some applications, especially those with rapidly varying loads, the output of the PID function may show a fair amount of oscillation. To suppress this oscillation, a limit can be applied to the integral output by programming b5-04.

■ b5-05: Derivative Time (D)

Sets the time the drive predicts the PID input/PID feedback signal based on the derivative of the PID input/PID feedback. Longer time settings will improve the response but can cause vibrations. Shorter settings will reduce the overshoot but also reduce the controller responsiveness. D control is disabled by setting b5-05 to zero seconds.

| No. | Name | Setting Range | Default |
|-------|---------------------|-----------------|---------|
| b5-05 | Derivative Time (D) | 0.00 to 10.00 s | 0.00 s |

■ b5-06: PID Output Limit

Sets the maximum output possible from the entire PID controller. Set as a percentage of the maximum frequency (E1-04).

| No. | Name | Setting Range | Default |
|-------|------------------|---------------|---------|
| b5-06 | PID Output Limit | 0.0 to 100.0% | 100.0% |

5.2 b: Application

■ b5-07: PID Offset Adjustment

Sets the offset added to the PID controller output. Set as a percentage of the maximum frequency.

| No. | Name | Setting Range | Default |
|-------|-----------------------|------------------|---------|
| b5-07 | PID Offset Adjustment | -100.0 to 100.0% | 0.0% |

■ b5-08: PID Primary Delay Time Constant

Sets the time constant for the filter applied to the output of the PID controller. Normally, change is not required.

| No. | Name | Setting Range | Default |
|-------|---------------------------------|-----------------|---------|
| b5-08 | PID Primary Delay Time Constant | 0.00 to 10.00 s | 0.00 s |

Note: Useful when there is a fair amount of oscillation or when rigidity is low. Set to a value larger than the cycle of the resonant frequency. Increasing this time constant may reduce the responsiveness of the drive.

■ b5-09: PID Output Level Selection

Normally a positive PID input (feedback smaller than setpoint) leads to positive PID output. Parameter b5-09 can be used to reverse the sign of the PID controller output signal.

| No. | Parameter Name | Setting Range | Default |
|-------|----------------------------|---------------|---------|
| b5-09 | PID Output Level Selection | 0 or 1 | 0 |

Setting 0: Normal Output

A positive PID input causes an increase in the PID output (direct acting).

Setting 1: Reverse Output

A positive PID input causes a decrease in the PID output (reverse acting).

■ b5-10: PID Output Gain Setting

Applies a gain to the PID output and can be helpful when the PID function is used to trim the frequency reference (b5-01 = 3 or 4).

| No. | Name | Setting Range | Default |
|-------|-------------------------|---------------|---------|
| b5-10 | PID Output Gain Setting | 0.00 to 25.00 | 1.00 |

■ b5-11: PID Output Reverse Selection

Determines whether a negative PID output reverses the direction of drive operation or not. When the PID function is used to trim the frequency reference (b5-01 = 3 or 4), this parameter has no effect and the PID output will not be limited (same as b5-11 = 1).

| No. | Parameter Name | Setting Range | Default |
|-------|------------------------------|---------------|---------|
| b5-11 | PID Output Reverse Selection | 0 or 1 | 0 |

Setting 0: Reverse Disabled

Negative PID output will be limited to 0 and the drive output will be stopped.

Setting 1: Reverse Enabled

Negative PID output will cause the drive to run in the opposite direction.

■ PID Feedback Loss Detection

The PID feedback loss detection function can detect broken sensors or broken sensor wiring. It should be used whenever PID control is enabled to prevent critical machine conditions (e.g., acceleration to max. frequency) caused by a feedback loss.

Feedback loss can be detected in two ways:

• Feedback Low Detection

Detected when the feedback falls below a certain level for longer than the specified time. This function is set up using parameters b5-12 to b5-14.

• Feedback High Detection

Detected when the feedback rises beyond a certain level for longer than the specified time. This function is set up using parameters b5-12, b5-36, and b5-37.

The following figure explains the working principle of feedback loss detection when the feedback signal is too low. Feedback high detection works in the same way.

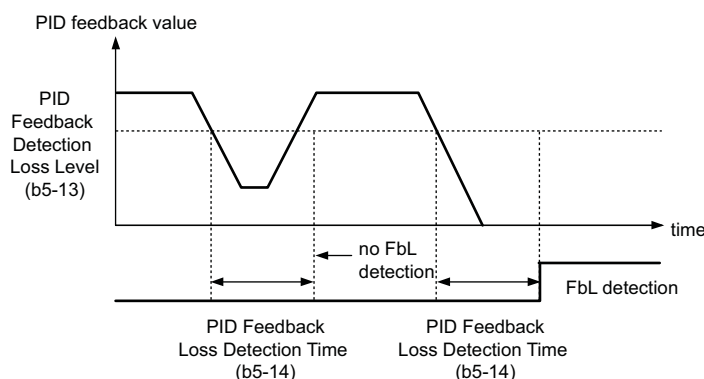


Figure 5.24 PID Feedback Loss Detection

■ b5-12: PID Feedback Loss Detection Selection

Enables or disables the feedback loss detection and sets the operation when a feedback loss is detected.

| No. | Parameter Name | Setting Range | Default |
|-------|---------------------------------------|---------------|---------|
| b5-12 | PID Feedback Loss Detection Selection | 0 to 5 | 0 |

Setting 0: Digital Output Only

A digital output set for “PID feedback low” (H2-□□ = 3E) will be triggered if the PID feedback value is below the detection level set to b5-13 for the time set to b5-14 or longer. A digital output set for “PID feedback high” (H2-□□ = 3F) will be triggered if the PID feedback value is beyond the detection level set to b5-36 for longer than the times set to b5-37. Neither a fault nor an alarm is displayed on the digital operator. The drive will continue operation. When the feedback value leaves the loss detection range, the output is reset.

Setting 1: Feedback Loss Alarm

If the PID feedback value falls below the level set to b5-13 for longer than the time set to b5-14, a “FBL - Feedback Low” alarm will be displayed and a digital output set for “PID feedback low” (H2-□□ = 3E) will be triggered. If the PID feedback value exceeds the level set to b5-36 for longer than the time set to b5-37, a “FBH - Feedback High” alarm will be displayed and a digital output set for “PID feedback high” (H2-□□ = 3F) will be triggered. Both events trigger an alarm output (H1-□□ = 10). The drive will continue operation. When the feedback value leaves the loss detection range, the alarm and outputs are reset.

Setting 2: Feedback Loss Fault

If the PID feedback value falls below the level set to b5-13 for longer than the time set to b5-14, a “FbL - Feedback Low” fault will be displayed. If the PID feedback value exceeds the level set to b5-36 for longer than the time set to b5-37, a “FbH - Feedback High” fault will be displayed. Both events trigger a fault output (H1-□□ = E) and cause the drive to stop the motor.

Setting 3: Digital output only, even if PID is disabled by digital input

Same as b5-12 = 0. Detection is still active even if PID is disabled by a digital input (H1-□□ = 19).

Setting 4: Feedback loss alarm, even if PID is disabled by digital input

Same as b5-12 = 1. Detection is still active even if PID is disabled by a digital input (H1-□□ = 19).

Setting 5: Feedback loss fault, even if PID is disabled by digital input

Same as b5-12 = 2. Detection is still active even if PID is disabled by a digital input (H1-□□ = 19).

5.2 b: Application

■ b5-13: PID Feedback Low Detection Level

Sets the feedback level used for PID feedback low detection. The PID feedback has to fall below this level for longer than the time b5-14 before feedback loss is detected.

| No. | Name | Setting Range | Default |
|-------|----------------------------------|---------------|---------|
| b5-13 | PID Feedback Low Detection Level | 0 to 100% | 0% |

■ b5-14: PID Feedback Low Detection Time

Sets the time that the PID feedback has to fall below b5-13 before feedback loss is detected.

| No. | Name | Setting Range | Default |
|-------|---------------------------------|---------------|---------|
| b5-14 | PID Feedback Low Detection Time | 0.0 to 25.5 s | 1.0 s |

■ b5-36: PID Feedback High Detection Level

Sets the feedback level used for PID feedback high detection. The PID feedback has to exceed this level for longer than the time b5-37 before feedback loss is detected.

| No. | Name | Setting Range | Default |
|-------|-----------------------------------|---------------|---------|
| b5-36 | PID Feedback High Detection Level | 0 to 100% | 100% |

■ b5-37: PID Feedback High Detection Time

Sets the time for that the PID feedback has to exceed b5-36 before feedback loss is detected.

| No. | Name | Setting Range | Default |
|-------|----------------------------------|---------------|---------|
| b5-37 | PID Feedback High Detection Time | 0.0 to 25.5 s | 1.0 s |

■ PID Sleep

The PID Sleep function stops the drive when the PID output or the frequency reference falls below the PID Sleep operation level for a certain time. The drive will resume operating once the PID output or frequency reference rises above the PID Sleep operation level for the specified time. An example of PID Sleep operation appears in the figure below.

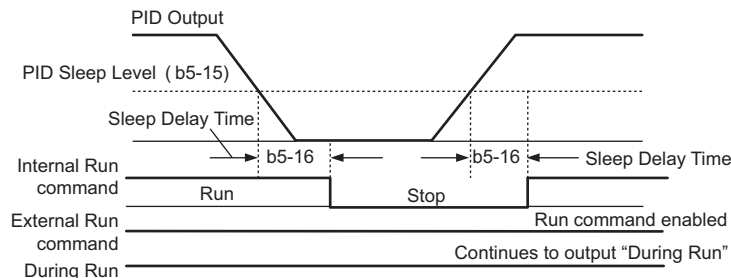


Figure 5.25 PID Sleep Operation

Notes on using the PID Sleep function

- The PID Sleep function is always active, even if PID control is disabled.
- The PID Sleep function stops the motor according to the stopping method in b1-03.

The parameters necessary that control the PID Sleep function are explained below.

■ b5-15: PID Sleep Function Start Level

Sets the level that triggers PID Sleep.

The drive goes into Sleep mode if the PID output or frequency reference is smaller than b5-15 for longer than the time set in b5-16. It resumes the operation when the PID output or frequency reference is above b5-15 for longer than the time set in b5-16.

| No. | Name | Setting Range | Default |
|-------|--------------------------------|-----------------|---------|
| b5-15 | PID Sleep Function Start Level | 0.0 to 400.0 Hz | 0.0 Hz |

■ b5-16: PID Sleep Delay Time

Sets the delay time to activate or deactivate the PID Sleep function.

| No. | Name | Setting Range | Default |
|-------|----------------------|---------------|---------|
| b5-16 | PID Sleep Delay Time | 0.0 to 25.5 s | 0.0 s |

■ b5-17: PID Accel/Decel Time

The PID acceleration/deceleration time is applied on the PID setpoint value.

As the normal acceleration times C1-□□ are applied after the PID output, they reduce the responsiveness of the system and can cause hunting or overshoot and undershoot when the setpoint changes quickly. Using the PID acceleration/deceleration time instead helps to avoid such problems.

The PID acceleration/deceleration time can be canceled using a digital input programmed for “PID SFS cancel” (H1-□□ = 34).

| No. | Name | Setting Range | Default |
|-------|----------------------|-----------------|---------|
| b5-17 | PID Accel/Decel Time | 0.0 to 6000.0 s | 0.0 s |

■ b5-18: PID Setpoint Selection

Enables or disables parameter b5-19 for PID setpoint.

| No. | Parameter Name | Setting Range | Default |
|-------|------------------------|---------------|---------|
| b5-18 | PID Setpoint Selection | 0 or 1 | 0 |

Setting 0: Disabled

Parameter b5-19 is not used as the PID setpoint.

Setting 1: Enabled

Parameter b5-19 is used as PID setpoint.

■ b5-19: PID Setpoint Value

Used as the PID setpoint if parameter b5-18 = 1.

| No. | Name | Setting Range | Default |
|-------|--------------------|-----------------|---------|
| b5-19 | PID Setpoint Value | 0.00 to 100.00% | 0.00% |

■ b5-20: PID Setpoint Scaling

Determines the units that the PID setpoint (b5-19) is set in and displayed. Also determines the units for monitors U5-01 and U5-04.

| No. | Parameter Name | Setting Range | Default |
|-------|----------------------|---------------|---------|
| b5-20 | PID Setpoint Scaling | 0 to 3 | 1 |

Setting 0: Hz

The setpoint and PID monitors are displayed in Hz with a resolution of 0.01 Hz.

Setting 1: %

The setpoint and PID monitors are displayed as a percentage with a resolution of 0.01%.

Setting 2: r/min

The setpoint and PID monitors are displayed in r/min with a resolution of 1 r/min.

Setting 3: User Defined

Parameters b5-38 and b5-39 determine the units and resolution used to display the values the setpoint in b5-19, and PID monitors U1-01 and U1-04.

5.2 b: Application

■ b5-34: PID Output Lower Limit

Sets the minimum possible PID controller output as a percentage of the maximum output frequency (E1-04). The lower limit is disabled when set to 0.00%

| No. | Name | Setting Range | Default |
|-------|------------------------|------------------|---------|
| b5-34 | PID Output Lower Limit | -100.0 to 100.0% | 0.00% |

■ b5-35: PID Input Limit

Sets the maximum allowed PID input as a percentage of the maximum output frequency (E1-04). Parameter b5-35 acts as a bipolar limit.

| No. | Name | Setting Range | Default |
|-------|-----------------|---------------|---------|
| b5-35 | PID Input Limit | 0 to 1000.0% | 1000.0% |

■ b5-38, b5-39: PID Setpoint User Display, PID Setpoint Display Digits

When parameter b5-20 is set to 3, the parameters b5-38 and b5-39 can be used to set a user defined display for the PID setpoint (b5-19) and PID feedback monitors (U5-01, U5-04).

Parameter b5-38 determines the display value when the maximum frequency is output. Parameter b5-39 determines the number of digits. The setting value is equal to the number of decimal places.

| No. | Name | Setting Range | Default |
|-------|-----------------------------|---------------|---------------------|
| b5-38 | PID Setpoint User Display | 1 to 60000 | Determined by b5-20 |
| b5-39 | PID Setpoint Display Digits | 0 to 3 | Determined by b5-20 |

■ b5-40: Frequency Reference Monitor Content During PID

Sets the content of the frequency reference monitor display (U1-01) when PID control is active.

| No. | Name | Setting Range | Default |
|-------|--|---------------|---------|
| b5-40 | Frequency Reference Monitor Content During PID | 0 or 1 | 0 |

Setting 0: Frequency Reference after PID

Monitor U1-01 displays the frequency reference increased or reduced for the PID output.

Setting 1: Frequency Reference

Monitor U1-01 displays the frequency reference value.

■ Fine-Tuning PID

Once PID control parameters have been set, fine-tuning may be required. Follow the directions below.

Table 5.11 PID Fine Tuning

| Goal | Tuning Procedure | Result |
|--|--|--------|
| Overshoot must be suppressed | <ul style="list-style-type: none"> Reduce the derivative time (b5-05) increase the integral time (b5-03) | |
| Quickly achieve stability, and some overshoot is permissible | <ul style="list-style-type: none"> Decrease the integral time (b5-03) Increase the derivative time (b5-05) | |

| Goal | Tuning Procedure | Result |
|--|--|--------|
| Suppress long cycle oscillations (longer than the integral time setting) | <ul style="list-style-type: none"> Increase the integral time (b5-03) | |
| Suppress short cycle oscillations | <ul style="list-style-type: none"> If oscillation cycle time is close to the derivative time, the derivative part is likely having too much influence. Reduce the derivative time (b5-05). If the derivative time is set to 0.00 s and oscillations are still a problem, try reducing the proportional gain (b5-02) or try increasing the PID primary delay time (b5-08) | |

◆ b6: Dwell Function

The Dwell function is used to temporarily hold the frequency reference at a predefined value for a set time, then continue accelerating or decelerating.

If used with induction motors, the Dwell function can help prevent speed loss when starting and stopping a heavy load. If running a PM motor in V/f control, the pause in acceleration allows the PM motor rotor to align with the stator field of the motor, thus reducing the starting current.

The figure below shows how the Dwell function works.

Note: Using the Dwell function requires that the stopping method for the drive be set to “Ramp to stop” (b1-03 = 0).

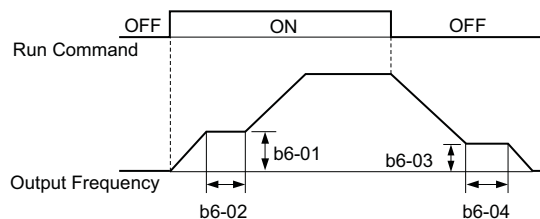


Figure 5.26 Dwell Function at Start and Stop

■ b6-01, b6-02: Dwell Reference, Dwell Time at Start

b6-01 determines the frequency that is held or the time set in b6-02 during acceleration.

| No. | Name | Setting Range | Default |
|-------|--------------------------|-----------------|---------|
| b6-01 | Dwell Reference at Start | 0.0 to 400.0 Hz | 0.0 Hz |
| b6-02 | Dwell Time at Start | 0.0 to 10.0 s | 0.0 s |

■ b6-03, b6-04: Dwell Reference, Dwell Time at Stop

Parameter b6-03 determines the frequency that is held for the time set in b6-04 during deceleration.

| No. | Name | Setting Range | Default |
|-------|-------------------------|-----------------|---------|
| b6-03 | Dwell Reference at Stop | 0.0 to 400.0 Hz | 0.0 Hz |
| b6-04 | Dwell Time at Stop | 0.0 to 10.0 s | 0.0 s |

5.2 b: Application

◆ b7: Droop Control (CLV, CLV/PM)

Droop control can automatically balance the load level between two motors that drive the same load, such as in traverse cranes applications. It must be activated in one of the two drives that control these motors. The drive in which Droop control is activated will automatically reduce the speed if the torque reference rises, and increase the speed if the torque reference falls again, thereby shifting the load from one motor to the other.

Note: Disable Feed Forward (n5-01 = 0) whenever using Droop control.

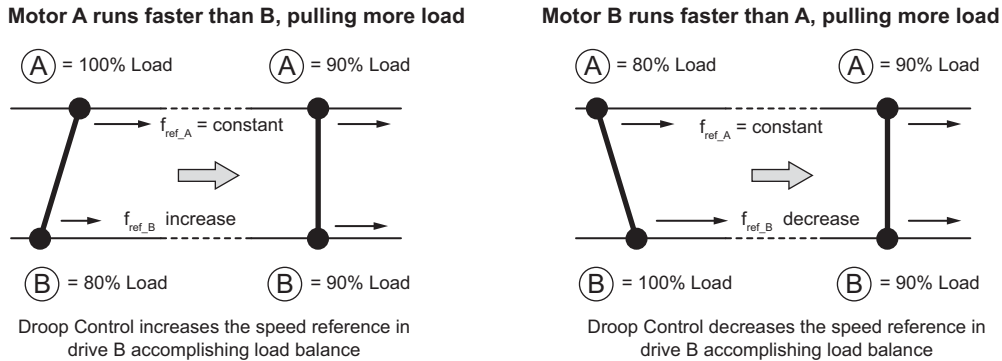


Figure 5.27 Droop Control in a Traverse Application

■ b7-01: Droop Control Gain

Sets the amount of speed reduction when the torque reference is 100%. The gain is set as a percentage of the maximum output frequency. A setting of 0.0% disables the Droop control function.

| No. | Parameter Name | Setting Range | Default |
|-------|--------------------|---------------|---------|
| b7-01 | Droop Control Gain | 0.0 to 100.0% | 0.0% |

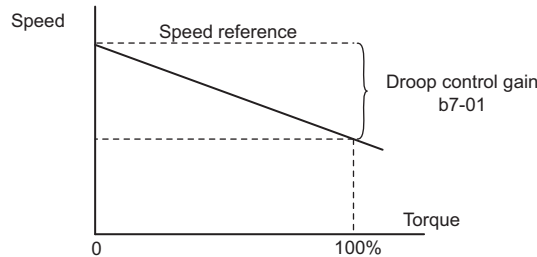


Figure 5.28 Droop Control Gain

■ b7-02: Droop Control Delay Time

The setting in b7-02 adjusts the responsiveness of Droop control. Reduce the setting if the reaction time is too long, and increase it if hunting occurs.

| No. | Parameter Name | Setting Range | Default |
|-------|--------------------------|----------------|---------|
| b7-02 | Droop Control Delay Time | 0.03 to 2.00 s | 0.05 s |

■ b7-03: Droop Control Limit Selection

Enables or disables the droop control limit.

| No. | Parameter Name | Setting Range | Default |
|-------|-------------------------------|---------------|---------|
| b7-03 | Droop Control Limit Selection | 0, 1 | 1 |

Setting 0: Disabled

Setting 1: Enabled

◆ b8: Energy Saving

The Energy Saving feature improves overall system operating efficiency by operating the motor at its most efficient level.

- Note:**
1. Energy Saving is mainly designed for applications with variable torque (Normal Duty) but is not appropriate for applications where the load may suddenly increase.
 2. As the performance of the Energy Saving function strongly depends on the accuracy of the motor data, always perform Auto-Tuning and make sure the motor data has been entered correctly before using this function.

■ b8-01: Energy Saving Control Selection

Enables or disables the Energy Saving function.

| No. | Parameter Name | Setting Range | Default |
|-------|---------------------------------|---------------|---------------------|
| b8-01 | Energy Saving Control Selection | 0 or 1 | Determined by A1-02 |

Setting 0: Disabled

Setting 1: Enabled

■ b8-02: Energy Saving Gain (OLV, CLV)

Sets the gain level for Energy Saving. A higher value results in lower magnetization of the motor and thereby less energy consumption. However, if b8-02 is too low, the motor may stall.

| No. | Name | Setting Range | Default |
|-------|--------------------|---------------|---------------------|
| b8-02 | Energy Saving Gain | 0.0 to 10.0 | Determined by A1-02 |

■ b8-03: Energy Saving Control Filter Time Constant (OLV, CLV)

Parameter b8-03 sets the response time for Energy Saving. Although lowering this value allows for a quicker response, instability may result if it is too low.

| No. | Name | Setting Range | Default |
|-------|--|-----------------|-------------------------------|
| b8-03 | Energy Saving Control Filter Time Constant | 0.00 to 10.00 s | Determined by A1-02 and o2-04 |

■ b8-04: Energy Saving Coefficient Value (V/f, V/f w/PG)

Parameter b8-04 is used to fine-tune Energy Saving control. The default setting depends on the capacity of the drive. Adjust this setting while viewing the output power monitor (U1-08) and running the drive with a light load.

A low setting results in less output voltage and less energy consumption, but too small a value will cause the motor to stall.

| No. | Name | Setting Range | Default |
|-------|---------------------------------|----------------|---------------------------------------|
| b8-04 | Energy Saving Coefficient Value | 0.00 to 655.00 | Determined by C6-01, E2-11, and o2-04 |

Note: This default value changes if the motor rated capacity set to E2-11 is changed. The Energy Saving coefficient is set automatically when Auto-Tuning for Energy Saving is performed (*Refer to Auto-Tuning on page 109*).

■ b8-05: Power Detection Filter Time (V/f, V/f w/PG)

The Energy Saving function continuously searches out the lowest output voltage in order to achieve minimum output power. Parameter b8-05 determines how often the output power is measured in ms.

Reducing this setting will increase the response time. If the filter time is too short, the motor may become unstable with a lighter load.

| No. | Name | Setting Range | Default |
|-------|-----------------------------|---------------|---------|
| b8-05 | Power Detection Filter Time | 0 to 2000 ms | 20 ms |

5.2 b: Application

■ b8-06: Search Operation Voltage Limit (V/f, V/f w/PG)

Sets the voltage limit for the optimal output voltage detection of Speed Search as a percentage of the maximum output voltage. During the search operation, the drive will keep the output voltage above this level to prevent motor stalling.

Note: If set too low, the motor may stall with a sudden increase to the load. Disabled when b8-06 = 0. Setting this value to 0 does not disable Energy Saving.

| No. | Name | Setting Range | Default |
|-------|--------------------------------|---------------|---------|
| b8-06 | Search Operation Voltage Limit | 0 to 100% | 0% |

◆ b9: Zero Servo

The Zero Servo function is a position loop that can be used in CLV and CLV/PM control modes to lock the motor at a certain position.

It must be activated using a digital input set for H1-□□ = 72. The drive will decelerate when this input is closed. Once the motor speed falls below the level set in parameter b2-01, the drive goes into the Zero Servo mode and holds the current position. When the input assigned to trigger the Zero Servo function is released and the Run command is still present, the drive reaccelerates.

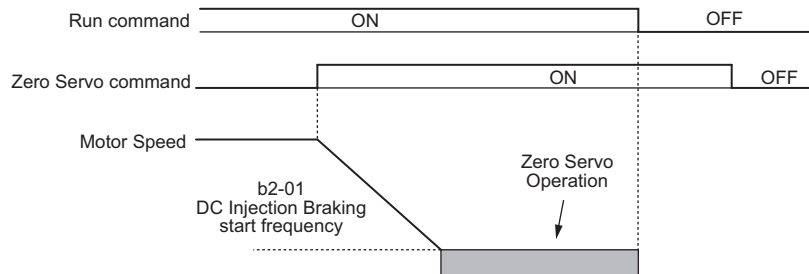


Figure 5.29 Zero Servo Operation

When Zero Servo is active, the deviation between the rotor position and the zero position is displayed in monitor U6-22 (monitor value must be divided by 4 to get the deviation in actual encoder pulses).

A digital output programmed for “Zero Servo complete” (H2-□□ = 72) is turned on when the rotor position is within the zero position, plus or minus the Zero Servo completion width set in parameter b9-02.

- Note:**
1. The Run command must remain on when using the Zero Servo function. If the Run command is switched off, then Zero Servo will no longer be able to hold the load in place.
 2. When the Zero Servo command has shut off, the Zero Servo Completion digital output width also shuts off.
 3. Avoid using Zero Servo to lock 100% load for long periods, as this can trigger a fault. If such loads need to be held in place for long periods, either make sure the current is less than 50% of the drive rated current during Zero Servo, or use a larger capacity drive.
 4. If the load rotates the motor when using CLV/PM, a dv4 fault may occur. To prevent this, either increase the Zero Servo gain (b9-01) or increase the number of pulses set to F1-19 that are required to trigger dv4.

■ b9-01: Zero Servo Gain

Parameter b9-01 adjusts the responsiveness of the Zero Servo position loop. Increase the value if the response is too slow and the deviation from the zero position rises too high when load is applied. Decrease the value if vibrations occur during Zero Servo operation.

Note: Before adjusting the Zero Servo gain, make sure the ASR parameters (C5-□□) are set up properly and vibration or hunting does not occur when running with a zero speed reference.

| No. | Name | Setting Range | Default |
|-------|-----------------|---------------|---------|
| b9-01 | Zero Servo Gain | 0 to 100 | 5 |

■ b9-02: Zero Servo Completion Width

Sets the range around zero position within that the Zero Servo complete output signal (H2-□□ = 72) is switched on during Zero Servo operation. The value in b9-02 must be set to the allowable deviation in actual encoder pulses multiplied by four.

| No. | Name | Setting Range | Default |
|-------|-----------------------------|---------------|---------|
| b9-02 | Zero Servo Completion Width | 0 to 16383 | 10 |

5.3 C: Tuning

C parameters are used to set the acceleration and deceleration characteristics, as well as S-curves. Other parameters in this group cover settings for slip compensation, torque compensation, and carrier frequency.

◆ C1: Acceleration and Deceleration Times

■ C1-01 to C1-08: Accel, Decel Times 1 to 4

Four different sets of acceleration and deceleration times can be set in the drive. They can be selected by digital inputs, by the motor selection, or can be switched automatically. Acceleration time parameters always set the time to accelerate from 0 Hz to the maximum output frequency (E1-04). Deceleration time parameters always set the time to decelerate from maximum output frequency to 0 Hz. C1-01 and C1-02 are the default active accel/decel settings.

| No. | Parameter Name | Setting Range | Default |
|-------|--|---------------------|---------|
| C1-01 | Acceleration Time 1 | 0.0 to 6000.0 s <I> | 10.0 s |
| C1-02 | Deceleration Time 1 | | |
| C1-03 | Acceleration Time 2 | | |
| C1-04 | Deceleration Time 2 | | |
| C1-05 | Acceleration Time 3 (Motor 2 Accel Time 1) | | |
| C1-06 | Deceleration Time 3 (Motor 2 Decel Time 1) | | |
| C1-07 | Acceleration Time 4 (Motor 2 Accel Time 2) | | |
| C1-08 | Deceleration Time 4 (Motor 2 Accel Time 2) | | |

<I> The setting range for the acceleration and deceleration times is determined by the accel/decel time setting units in C1-10. For example, if the time is set in units of 0.01 s (C1-10 = 0), the setting range becomes 0.00 to 600.00 s.

Switching Acceleration Times by Digital Input

Accel/decel times 1 are active by default if no input is set. The accel/decel times 2, 3, and 4 can be activated by digital inputs (H1-□□ = 7 and 1A) as explained in [Table 5.12](#).

Table 5.12 Accel/Decel Time Selection by Digital Input

| Accel/Decel Time Sel. 1 H1-□□ = 7 | Accel/Decel Time Sel. 2 H1-□□ = 1A | Active Times | |
|--------------------------------------|---------------------------------------|--------------|--------------|
| | | Acceleration | Deceleration |
| 0 | 0 | C1-01 | C1-02 |
| 1 | 0 | C1-03 | C1-04 |
| 0 | 1 | C1-05 | C1-06 |
| 1 | 1 | C1-07 | C1-08 |

[Figure 5.30](#) shows an operation example for changing accel/decel. times. The example below requires that the stopping method be set for “Ramp to stop” (b1-03 = 0).

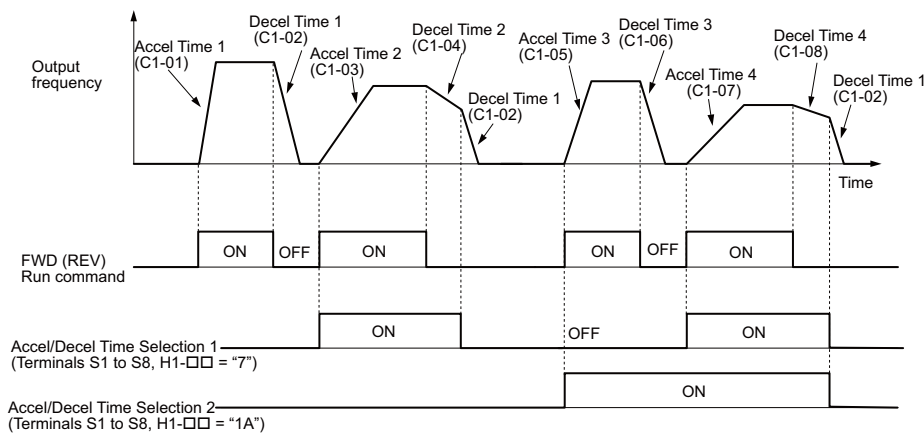


Figure 5.30 Timing Diagram of Accel/Decel Time Change

5.3 C: Tuning

Switching Acceleration and Deceleration Times by Motor Selection

When switching between motor 1 and 2 using a digital input (H1-□□ = 16), parameters C1-01 to C1-04 become accel/decel time 1 and 2 for motor 1, while C1-05 to C1-08 become accel/decel time 1 and 2 for motor 2. Accel/decel times 1 and 2 can be switched for each motor using a digital inputs set to H1-□□ = 7 like shown in [Table 5.13](#).

- Note:**
1. The motor 2 selection function cannot be used when PM motor is used.
 2. The digital input setting “Accel/Decel time 2 selection” (H1-□□ = 1A) cannot be used together with motor 1/2 switching. Trying to do so triggers an oPE03 error, indicating a contradictory multifunction input settings.

Table 5.13 Motor Switching and Accel/Decel Time Combinations

| Accel/Decel Time 1 (H1-□□ = 7) | Motor 1 Selected (Terminal set to H1-□□=16 OFF) | | Motor 2 Selected (Terminal set to H1-□□=16 ON) | |
|--------------------------------|---|-------|--|-------|
| | Accel | Decel | Accel | Decel |
| Open | C1-01 | C1-02 | C1-05 | C1-06 |
| Closed | C1-03 | C1-04 | C1-07 | C1-08 |

Switching Accel/Decel Times by a Frequency Level

The drive can switch between different acceleration and deceleration times automatically. The drive will switch from accel/decel time 4 in C1-07 and C1-08 to the default accel/decel time in C1-01 and C1-02 (C1-05 and C1-06 for motor 2) when the output frequency exceeds the frequency level set in parameter C1-11. When it falls below this level, the accel/decel times are switched back. [Figure 5.31](#) shows an operation example.

- Note:** Acceleration and deceleration times selected by digital inputs have priority over the automatic switching by the frequency level set to C1-11. For example, if accel/decel time 2 is selected, the drive will use this time only and not switch from accel/decel time 4 to the selected one.

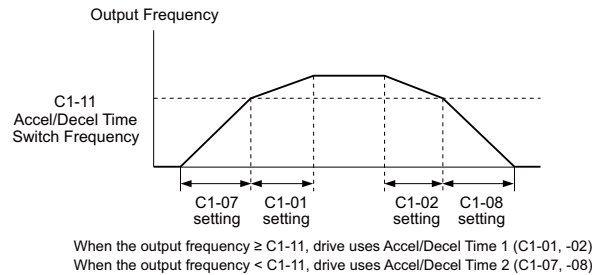


Figure 5.31 Accel/Decel Time Switching Frequency

■ C1-11: Accel/Decel Time Switching Frequency

Sets the frequency at which the drive switches between accel/decel time settings. [Refer to Switching Accel/Decel Times by a Frequency Level on page 166.](#)

| No. | Parameter Name | Setting Range | Default |
|-------|--------------------------------------|-----------------|---------|
| C1-11 | Accel/Decel Time Switching Frequency | 0.0 to 400.0 Hz | 0.0 Hz |

Note: Setting C1-11 to 0.0 Hz disables this function.

■ C1-09: Fast Stop Time

Parameter C1-09 will set a special deceleration that is used when certain faults occur or that can be operated by closing a digital input configured as H1-□□ = 15 (N.O. input) or 17 (N.C. input). The input does not have to be closed continuously, even a momentary closure will trigger the Fast Stop operation. Unlike standard deceleration, once the Fast Stop operation is initiated, the drive cannot be restarted until the deceleration is complete, the Fast Stop input is cleared, and the Run command is cycled.

A digital output programmed for “During Fast Stop” (H2-□□ = 4C) will be closed as long as Fast Stop is active.

A Fast Stop can be selected as the action the drive should take when certain faults occur, such as L8-03 (Overheat Pre-Alarm Operation Selection).

| No. | Parameter Name | Setting Range | Default |
|-------|----------------|---------------------|---------|
| C1-09 | Fast Stop Time | 0.0 to 6000.0 s <1> | 10.0 s |

<1> The setting range for the acceleration and deceleration times is determined by the accel/decel time setting units in C1-10. For example, if the time is set in units of 0.01 s (C1-10 = 0), the setting range becomes 0.00 to 600.00 s

NOTICE: Rapid deceleration can trigger an overvoltage fault. When faulted, the drive output shuts off, and the motor coasts. To avoid

this uncontrolled motor state and to ensure that the motor stops quickly and safely, set an appropriate Fast Stop time to C1-09.

■ C1-10: Accel/Decel Time Setting Units

Determines the units for the acceleration and deceleration times set to C1-01 through C1-09 using parameter C1-10.

| No. | Parameter Name | Setting Range | Default |
|-------|--------------------------------|---------------|---------|
| C1-10 | Accel/Decel Time Setting Units | 0 or 1 | 1 |

Setting 0: 0.01 s units

The accel/decel times are set in 0.01 s units. The setting range will be 0.00 to 600.00 s. If any of the parameters C1-01 to C1-09 is set to 600.1 seconds or more, then C1-10 cannot be set to 0.

Setting 1: 0.1 s units

The accel/decel times are set in 0.1 s units. The setting range will be 0.0 to 6000.0 s.

◆ C2: S-Curve Characteristics

Use S-curve characteristics to smooth acceleration and deceleration and to minimize abrupt shock to the load. Set S-curve characteristic time during acceleration/deceleration at start and acceleration/deceleration at stop. If the STo fault (Hunting Detection) occurs when starting a PM motor, try increasing the value set to C2-01.

■ C2-01 to C2-04: S-Curve Characteristics

C2-01 through C2-04 set separate S-curves for each section of the acceleration or deceleration.

| No. | Parameter Name | Setting Range | Default |
|-------|---------------------------------------|-----------------|---------------------|
| C2-01 | S-Curve Characteristic at Accel Start | 0.00 to 10.00 s | Determined by A1-02 |
| C2-02 | S-Curve Characteristic at Accel End | | 0.20 s |
| C2-03 | S-Curve Characteristic at Decel Start | | 0.20 s |
| C2-04 | S-Curve Characteristic at Decel End | | 0.00 s |

Figure 5.32 explains how S-curves are applied.

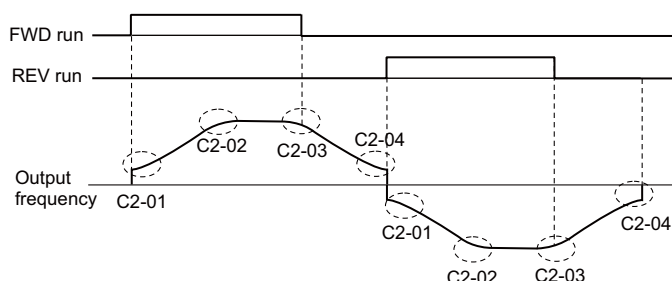


Figure 5.32 S-Curve Timing Diagram - FWD/REV Operation

Setting the S-curve will increase the acceleration and deceleration times.

$$\text{Actual accel time} = \text{accel time setting} + (C2-01 + C2-02) / 2$$

$$\text{Actual decel time} = \text{decel time setting} + (C2-03 + C2-04) / 2$$

◆ C3: Slip Compensation

The Slip Compensation function improves the speed accuracy of an induction motor. By adjusting the output frequency in accordance with the motor load, it compensates the slip and makes the motor speed equal to the frequency reference.

Note: Perform Auto-Tuning and make sure that the motor rated current (E2-01), the motor rated slip (E2-02), and the no-load current (E2-03) have all been set properly before making any adjustments to slip compensation parameters.

■ C3-01: Slip Compensation Gain

This parameter sets the gain for the motor slip compensation function. Although this parameter rarely needs to be changed, adjustments might be needed under the following circumstances:

- If the motor at constant speed is slower than the frequency reference, increase C3-01.

5.3 C: Tuning

- If the motor at constant speed is faster than the frequency reference, decrease C3-01.

| No. | Parameter Name | Setting Range | Default |
|-------|------------------------|---------------|---------------------|
| C3-01 | Slip Compensation Gain | 0.0 to 2.5 | Determined by A1-02 |

Note: Default setting is 0.0 in V/f Control (A1-02 = 0), and 1.0 in Open Loop Vector Control (A1-02 = 2). In Closed Loop Vector Control, slip compensation is used correct inaccuracies that can result from temperature fluctuation in the rotor.

■ C3-02: Slip Compensation Primary Delay Time

Adjusts the filter on the output side of the slip compensation function. Although this parameter rarely needs to be changed, adjustment may help in the following situations:

- Decrease the setting when the slip compensation response is too slow.
- Increase this setting when speed is unstable.

| No. | Parameter Name | Setting Range | Default |
|-------|--------------------------------------|---------------|---------------------|
| C3-02 | Slip Compensation Primary Delay Time | 0 to 10000 ms | Determined by A1-02 |

Note: Default for V/f Control (A1-02 = 0) is 2000 ms. Default for Open Loop Vector Control (A1-02 = 2) is 200 ms.

■ C3-03: Slip Compensation Limit

Sets the upper limit for the slip compensation function as a percentage of the motor rated slip (E2-02).

| No. | Parameter Name | Setting Range | Default |
|-------|-------------------------|---------------|---------|
| C3-03 | Slip Compensation Limit | 0 to 250% | 200% |

The slip compensation limit is constant throughout the constant torque range (frequency reference \leq E1-06). In the constant power range (frequency reference \geq E1-06), it is increased based on C3-03 and the output frequency as shown in the following diagram.

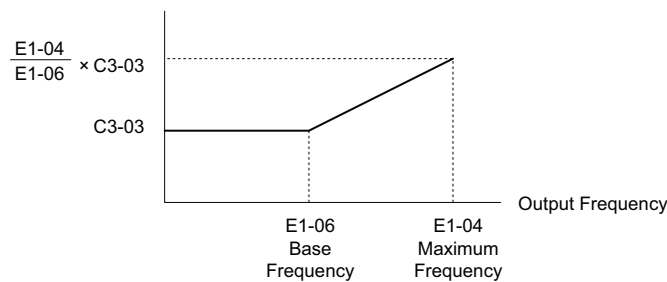


Figure 5.33 Slip Compensation Limit

■ C3-04: Slip Compensation Selection during Regeneration

Enables or disables slip compensation during regenerative operation. When slip compensation during regeneration has been activated and a regenerative load is applied, it might be necessary to use a dynamic braking option (braking resistor, braking resistor unit, or braking unit).

Even if enabled, this function does not operate when the output frequency is too low.

| No. | Parameter Name | Setting Range | Default |
|-------|---|---------------|---------|
| C3-04 | Slip Compensation Selection during Regeneration | 0 to 2 | 0 |

Setting 0: Disabled

Slip compensation is not provided. Depending on the load and mode of operation, the actual motor speed will be lower or higher than the frequency reference.

Setting 1: Enabled (6 kHz and above)

Slip compensation is enabled during regenerative operation. It will not be active at output frequencies below 6 Hz.

Setting 2: Enabled (compensation provided wherever possible)

Slip compensation is enabled during regenerative operation, and at frequencies as low as 2 Hz. The drive uses the motor rated slip set in E2-02 to automatically calculate the frequency range where compensation will be disabled.

■ C3-05: Output Voltage Limit Operation Selection

Determines if the motor flux reference is automatically reduced when output voltage reaches the saturation range.

If the input power supply voltage is low or the motor has a high voltage rating, this function can help improve the speed precision when moving heavy loads at high speeds. When this function is enabled, the reduction in flux causes a slightly higher current at high speed. Keep this in mind when selecting the drive.

| No. | Parameter Name | Setting Range | Default |
|-------|--|---------------|---------|
| C3-05 | Output Voltage Limit Operation Selection | 0 or 1 | 0 |

Setting 0: Disabled

Setting 1: Enabled

■ C3-21: Motor 2 Slip Compensation Gain

Used to improve speed accuracy for motor 2. Functions in the same way that C3-01 functions for motor 1.

Adjust this parameter only after the motor rated current (E4-01), motor rated slip (E4-02), and the motor no-load current (E4-03) have all been set.

Refer to [C3-01: Slip Compensation Gain on page 167](#) for details on adjusting this parameter.

| No. | Parameter Name | Setting Range | Default |
|-------|--------------------------------|---------------|---------------------|
| C3-21 | Motor 2 Slip Compensation Gain | 0.0 to 2.5 | Determined by E3-01 |

Note: Default setting is 0.0 in V/f Control (A1-02 = 0). Default setting is 1.0 in Open Loop Vector Control (A1-02 = 2) and Closed Loop Vector Control (A1-02 = 3). In Closed Loop Vector Control, slip compensation gain acts as an adaptable gain.

■ C3-22: Motor 2 Slip Compensation Primary Delay Time

Functions for motor 2 in the same way that C3-02 functions for motor 1.

Refer to [C3-02: Slip Compensation Primary Delay Time on page 168](#) for instructions on how to adjust this parameter.

| No. | Parameter Name | Setting Range | Default |
|-------|--|---------------|---------------------|
| C3-22 | Motor 2 Slip Compensation Primary Delay Time | 0 to 10000 ms | Determined by A1-02 |

Note: The default for V/f Control (A1-02 = 0) is 2000 ms. The default for Open Loop Vector Control (A1-02 = 2) is 200 ms.

■ C3-23: Motor 2 Slip Compensation Limit

Sets the upper limit for the slip compensation function as a percentage of the motor rated slip (E4-02).

| No. | Parameter Name | Setting Range | Default |
|-------|---------------------------------|---------------|---------|
| C3-23 | Motor 2 Slip Compensation Limit | 0 to 250% | 200% |

The slip compensation limit is constant throughout the constant torque range (frequency reference \leq E3-06). In the constant power range (frequency reference \geq E3-06), it is increased based on C3-23 and the output frequency as shown in the following diagram.

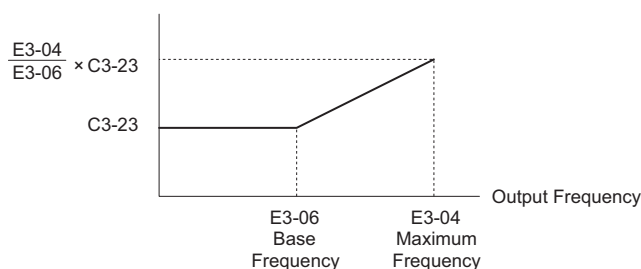


Figure 5.34 Slip Compensation Limit

5.3 C: Tuning

■ C3-24: Motor 2 Slip Compensation Selection during Regeneration

Functions for motor 2 in the same way that C3-04 functions for motor 1.

Refer to [C3-04: Slip Compensation Selection during Regeneration on page 168](#) for details on adjusting this parameter.

| No. | Parameter Name | Setting Range | Default |
|-------|---|---------------|---------|
| C3-24 | Motor 2 Slip Compensation Selection during Regeneration | 0 to 2 | 0 |

Setting 0: Disabled

Setting 1: Enabled (6 kHz and above)

Setting 2: Enabled (compensation provided wherever possible)

◆ C4: Torque Compensation

The torque compensation function compensates for insufficient torque production at start-up or when a load is applied.

Note: Make sure the motor parameters and V/f pattern are set properly before setting torque compensation parameters.

■ C4-01: Torque Compensation Gain

Sets the gain for the torque compensation function.

| No. | Parameter Name | Setting Range | Default |
|-------|--------------------------|---------------|---------------------|
| C4-01 | Torque Compensation Gain | 0.00 to 2.50 | Determined by A1-02 |

Torque Compensation in V/f, V/f w/PG, and OLV/PM:

The drive calculates the motor primary voltage loss using the output current and the termination resistor value (E2-05 for IM, E5-05 for PM motors) and then adjusts the output voltage to compensate insufficient torque at start or when load is applied. The effects of this voltage compensation can be increased or decreased using parameter C4-01.

Torque Compensation in OLV:

The drive controls the motor excitation current (d-axis current) and torque producing current (q-axis current) separately. Torque compensation affects the torque producing current only. C4-01 works as a factor of the torque reference value that builds the torque producing current reference.

Adjustment

Although this parameter rarely needs to be adjusted, changing the torque compensation gain in small steps of 0.05 may help in the following situations:

- Increase this setting when using a long motor cable.
- Decrease this setting when motor oscillation occurs.

Adjust C4-01 so that the output current does not exceed the drive rated current.

- Note:**
1. Refrain from adjusting torque compensation in Open Loop Vector Control, as it can have a negative effect on torque accuracy.
 2. Refrain from adjusting this parameter in OLV/PM. Too high a value can cause overcompensation, resulting in motor oscillation.

■ C4-02: Torque Compensation Primary Delay Time

Sets the delay time used for applying torque compensation.

| No. | Parameter Name | Setting Range | Default |
|-------|--|---------------|---------------------|
| C4-02 | Torque Compensation Primary Delay Time | 0 to 60000 ms | Determined by A1-02 |

Adjustment

Although C4-02 rarely needs to be changed, adjustments may help in the following situations:

- If the motor vibrates, increase C4-02.
- If the motor responds too slowly to changes in the load, decrease C4-02.

■ **C4-03: Torque Compensation at Forward Start (OLV)**

Sets the amount of torque at start in the forward direction in order to improve motor performance during start with a heavy load. Compensation is applied using the time constant set in parameter C4-05. Enable this function when the load pulls the motor in reverse when starting with a Forward run command. Setting of 0.0% disables this feature.

| No. | Parameter Name | Setting Range | Default |
|-------|--------------------------------------|---------------|---------|
| C4-03 | Torque Compensation at Forward Start | 0.0 to 200.0% | 0.0% |

■ **C4-04: Torque Compensation at Reverse Start (OLV)**

Sets the amount of torque reference at start in the reverse direction in order to improve motor performance during start with heavy load. Compensation is applied using the time constant set in parameter C4-05. Enable this function if the load pulls the motor in the forward direction when starting with a Reverse run command. Setting 0.0% disables this feature.

| No. | Parameter Name | Setting Range | Default |
|-------|--------------------------------------|----------------|---------|
| C4-04 | Torque Compensation at Reverse Start | -200.0 to 0.0% | 0.0% |

■ **C4-05: Torque Compensation Time Constant (OLV)**

This parameter is the time constant for applying the torque compensation at start that is set to C4-03 and C4-04.

| No. | Parameter Name | Setting Range | Default |
|-------|-----------------------------------|---------------|---------|
| C4-05 | Torque Compensation Time Constant | 0 to 200 ms | 10 ms |

■ **C4-06: Torque Compensation Primary Delay Time 2 (OLV)**

This time constant is used during Speed Search or during regenerative operation. Adjust the value if an overvoltage fault occurs with sudden changes in the load or at the end of acceleration with high inertia load.

| No. | Parameter Name | Setting Range | Default |
|-------|--|---------------|---------|
| C4-06 | Torque Compensation Primary Delay Time 2 | 0 to 10000 ms | 150 ms |

Note: If C4-06 is set to a relatively large value, be sure to also increase the setting in n2-03 (AFR Time Constant 2) proportionally.

■ **C4-07: Motor 2 Torque Compensation Gain**

Functions for motor 2 in the same way that C4-01 functions for motor 1.

Refer to [C3-01: Slip Compensation Gain on page 167](#) for details on adjusting this parameter.

| No. | Parameter Name | Setting Range | Default |
|-------|----------------------------------|---------------|---------|
| C4-07 | Motor 2 Torque Compensation Gain | 0.00 to 2.50 | 1.00 |

◆ **C5: Automatic Speed Regulator (ASR)**

The ASR is used for controlling the motor speed in V/f w/PG, CLV, AOLV/PM, and CLV/PM control modes. It adjusts the output frequency (V/f w/PG) or torque reference (CLV, AOLV/PM, CLV/PM) in order to minimize the difference between frequency reference and actual motor speed.

The figures below illustrates how ASR works.

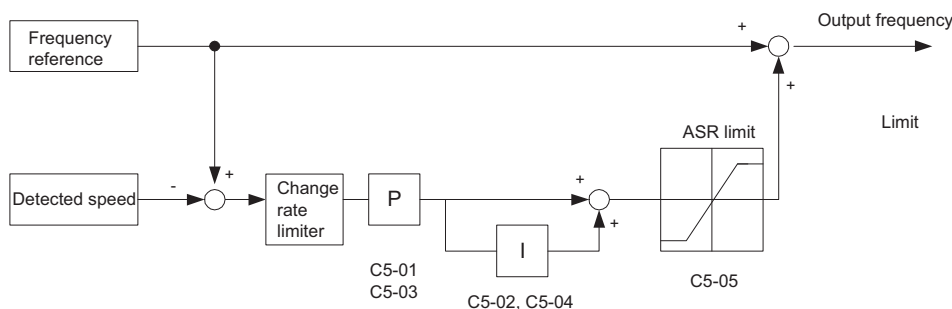


Figure 5.35 Speed Control Block Diagram for V/f Control with PG

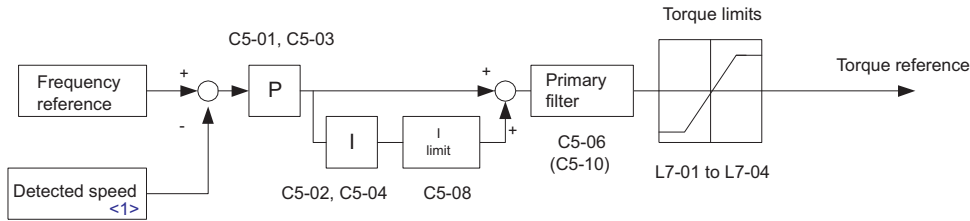


Figure 5.36 Speed Control Block Diagram for CLV, AOLV/PM and CLV/PM

<1> Advanced Open Loop Vector Control for PM motors estimates the speed using the motor model and does not require an encoder feedback signal.

■ Adjusting the ASR Parameters

Before adjusting ASR parameters make sure all motor data have been set up correctly or Auto-Tuning has been performed.

Analog output signals should be used to monitor the frequency reference after softstarter (U1-16) and the motor speed (U1-05) when adjusting the ASR. Refer to [H4: Multi-Function Analog Outputs on page 239](#) for details on setting up analog output functions.

Generally when tuning the ASR, first optimize the ASR gain, then adjust the integral time settings. Always make adjustments with the load connected to the motor.

Adjusting the ASR Parameters in V/f Control with PG

In V/f Control with PG, the ASR settings change between two sets of parameters depending on the motor speed as described in [C5-01, C5-03 / C5-02, C5-04: ASR Proportional Gain 1, 2 / ASR Integral Time 1, 2 on page 173](#).

Perform the following steps for adjusting ASR parameters:

1. Run the motor at minimum speed and increase ASR gain 2 (C5-03) as much as possible without oscillation.
2. Run the motor at minimum speed and decrease ASR integral time 2 (C5-04) as much as possible without oscillation.
3. Check the output current monitor to make sure that the output current is less than 50% of the drive rated current. If the value is higher than 50%, decrease C5-03 and increase C5-04.
4. Run the motor at maximum speed and increase ASR gain 1 (C5-01) as much as possible without oscillations.
5. Run the motor at maximum speed and decrease ASR integral time 1 (C5-02) as much as possible without oscillations.
6. If higher speed precision and faster response during acceleration or deceleration is required, enable integral control during accel/decel by setting parameter C5-12 to 1. Change the speed and make sure no over/undershoot occurs.

Adjusting the ASR Parameters in CLV, AOLV/PM, and CLV/PM

In CLV, AOLV/PM, and CLV/PM the drive is pre-set to use ASR settings C5-01/02 over the whole speed range. If required by the application, a second set of ASR parameters (C5-03/04) can be automatically activated depending on the motor speed or by using a digital input. Also refer to [C5-01, C5-03 / C5-02, C5-04: ASR Proportional Gain 1, 2 / ASR Integral Time 1, 2 on page 173](#).

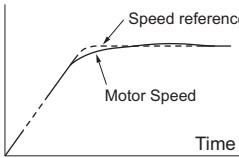
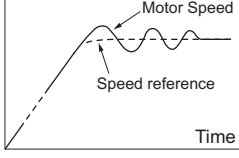
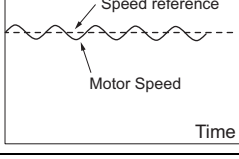
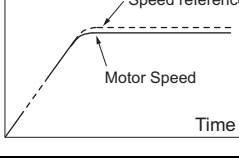
Perform the following steps for adjusting ASR parameters:

1. Run the motor at zero speed and increase the ASR gain (C5-01) as much as possible without oscillation.
2. Run the motor at zero speed and decrease the ASR integral time (C5-02) as much as possible without oscillation.
3. Run at the normal operating speed. Check for over/undershoot when changing speed and for any oscillation.
4. Should problems occur in step 3, increase the integral time and reduce the gain.
Alternatively, use different ASR settings for high and low speed. Set the values from step 1 and 2 to parameters C5-03 and C5-04, then set an ASR switching frequency in parameter C5-07. Run the motor at a speed higher than C5-07 and repeat step 3 while adjusting C5-01 and C5-02.

Solving Problems During ASR Setup

Use [Table 5.14](#) when making adjustments to ASR. Though the parameters listed below are for motor 1, the same changes can be made to the corresponding motor 2 parameters when running a second motor.

Table 5.14 ASR Setup Problems and Corrective Actions

| Problem | | Possible Solutions |
|--|---|---|
| Slow response to speed changes or speed deviation lasts for too long |  | <ul style="list-style-type: none"> • Increase the ASR gain. • Decrease the integral time. |
| Overshoot or undershoot at the end of acceleration or deceleration |  | <ul style="list-style-type: none"> • Decrease the ASR gain. • Increase the integral time. |
| Vibration and oscillation occur at constant speed |  | <ul style="list-style-type: none"> • Decrease the ASR gain. • Increase the integral time. • Increase the ASR delay time (C5-06). |
| The motor slip is not fully compensated when running in V/f Control with PG |  | <ul style="list-style-type: none"> • Check the pulse number set to F1-01 and the gear ratio in F1-12 and F1-13. • Make sure the pulse signal from the encoder is set up properly. • Check monitor U6-04 and check if the ASR is working at its output limit (setting of C5-05). If so, increase C5-05. |
| Integral operation is enabled in V/f Control with PG (C5-15 = 1) and over/undershoot occurs when changing speed. | - | <ul style="list-style-type: none"> • Decrease the ASR gain. • Increase the integral time. • If the problem persists, reduce the ASR output limit set in C5-05. |
| Oscillation at low speed and response is too slow at high speed (or vice versa) | - | <ul style="list-style-type: none"> • V/f control: Use C5-01/02 and C5-03/04 to set up different ASR settings at minimum and maximum speed. • CLV, AOLV/PM, CLV/PM: Use C5-01, C5-02 and C5-03, C5-04 to define optimal ASR settings for high and low speed. Use C5-07 to define a switching frequency. |

■ C5-01, C5-03 / C5-02, C5-04: ASR Proportional Gain 1, 2 / ASR Integral Time 1, 2

These parameters can be used to adjust the responsiveness of the ASR.

Note: C5-01 is automatically set when ASR Tuning is performed (T1-01 = 9 or T2-01 = 9).

| No. | Parameter Name | Setting Range | Default |
|-------|-------------------------|-------------------|---------------------|
| C5-01 | ASR Proportional Gain 1 | 0.00 to 300.00 | Determined by A1-02 |
| C5-02 | ASR Integral Time 1 | 0.000 to 10.000 s | Determined by A1-02 |
| C5-03 | ASR Proportional Gain 2 | 0.00 to 300.00 | Determined by A1-02 |
| C5-04 | ASR Integral Time 2 | 0.000 to 10.000 s | Determined by A1-02 |

These parameter settings will function differently depending on the control mode.

V/f Control with PG

Parameters C5-01 and C5-02 determine the ASR characteristics at maximum speed, whereas C5-03 and C5-04 determine the characteristics at minimum speed.

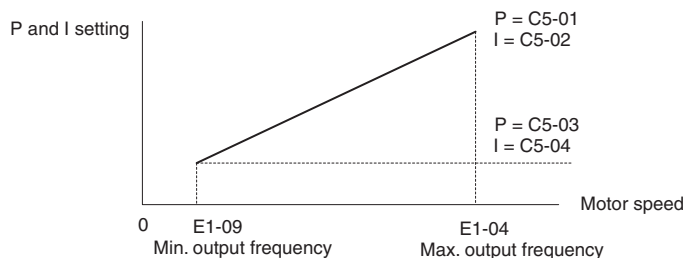


Figure 5.37 ASR Gain and Integral Time in V/fw/PG

5.3 C: Tuning

CLV, AOLV/PM, and CLV/PM

In these control modes, parameters C5-03 and C5-04 define the ASR gain and integral time at zero speed. The settings in C5-01 and C5-02 are used at speeds above the setting in C5-07. C5-07 is set to 0 as the default so that C5-01 and C5-02 are used over the entire speed range. Also refer to [C5-07: ASR Gain Switching Frequency on page 175](#).

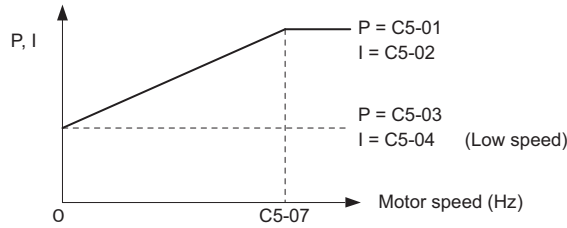


Figure 5.38 Low-speed and High-speed Gain Settings

The gain set in C5-03 can also be activated with a digital input programmed to “ASR gain switch” (H1-□□ = 77). When the terminal is open, the drive uses the ASR gain level set by the pattern in the figure above. When the terminal closes, C5-03 is used. The integral time set to C5-02 is used to change linearly between these settings.

The ASR gain switch command from a multi-function input terminal overrides the switching frequency set to C5-07.

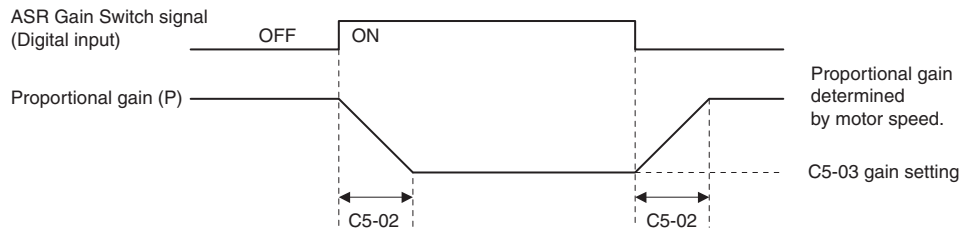


Figure 5.39 ASR Proportional Gain Switch

ASR Gain Tuning (C5-01, C5-03)

The higher this setting, the faster is the speed response. Too high of a setting can lead to oscillation. In general, this setting should be increased with larger loads in order to minimize the speed deviation.

ASR Integral Time Tuning (C5-02, C5-04)

Determines how fast a continuous speed deviation problem is eliminated. Too long of an integral time makes the speed control less responsive, while a too short of an integral time can cause oscillation.

■ C5-05: ASR Limit

Sets the ASR output limit as a percentage of the maximum output frequency (E1-04). If the motor rated slip is high, the setting might need to be increased to provide proper motor speed control. Use the ASR output monitor U6-04 to determine if ASR is working at the limit set in C5-05. If so, make sure the PG pulses (F1-01), PG gear teeth (F1-12, F1-13), and the PG signal are set correctly before making further changes to C5-05.

| No. | Parameter Name | Setting Range | Default |
|-------|----------------|---------------|---------|
| C5-05 | ASR Limit | 0.0 to 20.0% | 5.0% |

■ C5-06: ASR Primary Delay Time Constant

This parameter sets the filter time constant for the time from the speed loop to the torque command output.

Increase this setting gradually in increments of 0.01 for loads with low rigidity, or when oscillation is a problem.

Note: This parameter rarely requires adjustment.

| No. | Parameter Name | Setting Range | Default |
|-------|---------------------------------|------------------|---------------------|
| C5-06 | ASR Primary Delay Time Constant | 0.000 to 0.500 s | Determined by A1-02 |

■ C5-07: ASR Gain Switching Frequency

Sets the frequency where the drive should switch between ASR proportional gain 1 and 2 (C5-01, C5-03) as well as between integral time 1 and 2 (C5-02, C5-04).

| No. | Parameter Name | Setting Range | Default |
|-------|------------------------------|-----------------|---------|
| C5-07 | ASR Gain Switching Frequency | 0.0 to 400.0 Hz | 0.0 Hz |

Note: A multi-function input set for the ASR gain switch (H1-□□ = 77) takes priority over the ASR gain switching frequency.

Switching the proportional gain and integral time in the low or high speed range can help stabilize operation and avoid resonance problems. A good switching point is about 80% of the frequency where oscillation occurs, or at 80% of the target speed. Refer to [C5-01, C5-03 / C5-02, C5-04: ASR Proportional Gain 1, 2 / ASR Integral Time 1, 2 on page 173](#).

■ C5-08: ASR Integral Limit

Sets the upper limit for ASR as a percentage of the rated load.

| No. | Parameter Name | Setting Range | Default |
|-------|--------------------|---------------|---------|
| C5-08 | ASR Integral Limit | 0 to 400% | 400% |

■ C5-12: Integral Operation during Accel/Decel (V/f w/PG)

Enables integral operation during acceleration and deceleration. Integral operation should be used when driving a heavy load or a high inertia load, but can cause problems with overshoot at the end of acceleration and deceleration. Refer to [ASR Setup Problems and Corrective Actions on page 173](#) to solve such problems.

| No. | Parameter Name | Setting Range | Default |
|-------|---------------------------------------|---------------|---------|
| C5-12 | Integral Operation during Accel/Decel | 0, 1 | 0 |

Setting 0: Disabled

Integral operation occurs only during constant speed and not during acceleration or deceleration.

Setting 1: Enabled

Integral operation is always enabled.

■ C5-17, C5-18: Motor Inertia, Load Inertia Ratio

C5-17 and C5-18 determine the ratio of the machine inertia and the inertia of the motor being used.

These parameters are set automatically when Inertia Tuning and ASR Tuning are performed in CLV and CLV/PM control modes. [Refer to Auto-Tuning on page 109](#) for details on Auto-Tuning or enter the data manually.

| No. | Parameter Name | Setting Range | Default |
|-------|--------------------|-----------------------------------|--------------------------------------|
| C5-17 | Motor Inertia | 0.0001 to 600.00 kgm ² | Determined by C6-01, E5-01 and α2-04 |
| C5-18 | Load Inertia Ratio | 0.0 to 6000.0 | 1.0 |

■ C5-21, C5-23 / C5-22, C5-24: Motor 2 ASR Proportional Gain 1, 2 / Integral Time 1, 2

These parameters function for motor 2 in the same way that C5-01 through C5-04 function for motor 1. For more details, see [C5-01, C5-03 / C5-02, C5-04: ASR Proportional Gain 1, 2 / ASR Integral Time 1, 2 on page 173](#).

| No. | Parameter Name | Setting Range | Default |
|-------|---------------------------------|-------------------|---------------------|
| C5-21 | Motor 2 ASR Proportional Gain 1 | 0.00 to 300.00 | Determined by E3-01 |
| C5-22 | Motor 2 ASR Integral Time 1 | 0.000 to 10.000 s | Determined by E3-01 |
| C5-23 | Motor 2 ASR Proportional Gain 2 | 0.00 to 300.00 | Determined by E3-01 |
| C5-24 | Motor 2 ASR Integral Time 2 | 0.000 to 10.000 s | Determined by E3-01 |

5.3 C: Tuning

■ C5-25: Motor 2 ASR Limit

Functions for motor 2 in the same way that C5-05 functions for motor 1. Sets the ASR output limit for motor 2 as a percentage of the maximum output frequency (E4-04). For more details, see [C5-05: ASR Limit on page 174](#).

| No. | Parameter Name | Setting Range | Default |
|-------|-------------------|---------------|---------|
| C5-25 | Motor 2 ASR Limit | 0.0 to 20.0% | 5.0% |

■ C5-26: Motor 2 ASR Primary Delay Time Constant

Functions for motor 2 in the same way that C5-06 functions for motor 1.

Sets the filter time constant for the time from the speed loop to the torque command output. For more details, see [C5-06: ASR Primary Delay Time Constant on page 174](#).

Note: This parameter rarely requires adjustment.

| No. | Parameter Name | Setting Range | Default |
|-------|---|------------------|---------|
| C5-26 | Motor 2 ASR Primary Delay Time Constant | 0.000 to 0.500 s | 0.004 s |

■ C5-27: Motor 2 ASR Gain Switching Frequency

Functions for motor 2 in the same way that C5-07 functions for motor 1.

Sets the frequency for motor 2 to change ASR proportional gain 1 and 2 (C5-21, C5-23) as well as the integral time 1 and 2 (C5-22, C5-24). For more details, see [C5-01, C5-03 / C5-02, C5-04: ASR Proportional Gain 1, 2 / ASR Integral Time 1, 2 on page 173](#).

| No. | Parameter Name | Setting Range | Default |
|-------|--------------------------------------|-----------------|---------|
| C5-27 | Motor 2 ASR Gain Switching Frequency | 0.0 to 400.0 Hz | 0.0 Hz |

Note: A multi-function input set for the ASR gain switch (H1-□□ = 77) takes priority over the ASR gain switching frequency.

■ C5-28: Motor 2 ASR Integral Limit

Functions for motor 2 in the same way that C5-08 functions for motor 1.

Sets the upper limit for ASR as a percentage of the rated load. For more details, see [C5-08: ASR Integral Limit on page 175](#).

| No. | Parameter Name | Setting Range | Default |
|-------|----------------------------|---------------|---------|
| C5-28 | Motor 2 ASR Integral Limit | 0 to 400% | 400% |

■ C5-32: Integral Operation during Accel/Decel for Motor 2

Functions for motor 2 in the same way that C5-12 functions for motor 1.

Enables integral operation during acceleration and deceleration. For more details, see [C5-12: Integral Operation during Accel/Decel \(V/f w/PG\) on page 175](#).

| No. | Parameter Name | Setting Range | Default |
|-------|---|---------------|---------|
| C5-32 | Integral Operation during Accel/Decel for Motor 2 | 0, 1 | 0 |

Setting 0: Disabled

Integral operation occurs only during constant speed and not during acceleration or deceleration.

Setting 1: Enabled

Integral operation is always enabled.

■ C5-37, C5-38: Motor 2 Inertia, Motor 2 Load Inertia Ratio

These parameters function for motor 2 in the same way that C5-17 and C5-18 function for motor 1.

These parameters are set automatically when Inertia Tuning and ASR Tuning are performed for motor 2 in CLV and CLV/PM control modes. [Refer to Auto-Tuning on page 109](#) for details on Auto-Tuning or enter the data manually.

| No. | Parameter Name | Setting Range | Default |
|-------|----------------------------|-----------------------------------|-------------------------------|
| C5-37 | Motor 2 Inertia | 0.0001 to 600.00 kgm ² | Determined by C6-01 and o2-04 |
| C5-38 | Motor 2 Load Inertia Ratio | 0.0 to 6000.0 | 1.0 |

◆ C6: Carrier Frequency

■ C6-01: Drive Duty Mode Selection

The drive has two different “duty modes” to select from based on the load characteristics. The drive rated current, overload capacity, and maximum output frequency will change depending upon the duty mode selection. Use parameter C6-01 to select Heavy Duty (HD) or Normal Duty (ND) for the application. The default setting is ND. Refer to [Heavy Duty and Normal Duty Ratings on page 388](#) for details about the rated current.

| No. | Parameter Name | Setting Range | Default |
|-------|---------------------|---------------|---------|
| C6-01 | Duty Mode Selection | 0 or 1 | 0 (HD) |

Table 5.15 Differences between Heavy and Normal Duty

| Characteristics | Heavy Duty Rating (HD) | Normal Duty Rating (ND) |
|--|--|--|
| C6-01 | 0 | 1 |
| Performance | | |
| Application | Use Heavy Duty Rating for applications requiring a high overload tolerance with constant load torque. Such applications include extruders and conveyors. | Use Normal Duty Rating for applications in which the torque requirements drop along with the speed. Examples include fans and pumps where a high overload tolerance is not required. |
| Over load capability (oL2) | 150% of drive rated Heavy Duty current for 60 s | 120% of drive rated Normal Duty current for 60 s |
| Stall Prevention during Acceleration (L3-02) | 150% | 120% |
| Stall Prevention during Run (L3-06) | 150% | 120% |
| Default Carrier Frequency | 2 kHz | 2 kHz Swing PWM |

Note: By changing the Duty Mode selection, the maximum size motor the drive can run changes, and the E2-□□ parameters are automatically set to appropriate values (E4-□□ for motor 2). Parameters settings determined by motor capacity are recalculated automatically when the Duty Mode selection is changed. This includes b8-04, L2-03, n5-02, L3-24, C5-17, and C5-37.

■ C6-02: Carrier Frequency Selection

Parameter C6-02 sets the switching frequency of the drive’s output transistors. Changes to the switching frequency helps lower audible noise and also reduces leakage current.

Note: Increasing the carrier frequency above the default value automatically lowers the drive’s current rating. [Refer to Rated Current Depending on Carrier Frequency on page 179](#).

| No. | Parameter Name | Setting Range | Default |
|-------|-----------------------------|---------------|--|
| C6-02 | Carrier Frequency Selection | 1 to F | Determined by A1-02, o2-04. Reset when C6-01 is changed. |

Note: The default setting for the carrier frequency differs based on the type of motor and the Duty Mode selection. The default is 2 kHz when the drive is set for Heavy Duty performance, and defaulted to “Swing PWM1” when set for Normal Duty performance. When using a PM motor, the default carrier frequency is 5.0 Hz.

5.3 C: Tuning

Settings:

| C6-02 | Carrier Frequency | C6-02 | Carrier Frequency | C6-02 | Carrier Frequency |
|-------|--------------------|-------|---------------------|-------|-------------------------------|
| 1 | 2.0 kHz | 5 | 12.5 kHz (10.0 kHz) | 9 | Swing PWM 3 |
| 2 | 5.0 kHz (4.0 kHz) | 6 | 15.0 kHz (12.0 kHz) | A | Swing PWM 4 |
| 3 | 8.0 kHz (6.0 kHz) | 7 | Swing PWM 1 | F | User defined (C6-03 to C6-05) |
| 4 | 10.0 kHz (8.0 kHz) | 8 | Swing PWM 2 | | |

- Note:**
- Swing PWM uses a carrier frequency of 2.0 kHz as a base, then applies a special PWM pattern to reduce the audible noise.
 - The value in parenthesis indicates the carrier frequency for AOLV/PM.

Guidelines for Carrier Frequency Parameter Setup

| Symptom | Remedy |
|--|--|
| Speed and torque are unstable at low speeds | Lower the carrier frequency. |
| Noise from the drive affects peripheral devices | |
| Excessive leakage current from the drive | |
| Wiring between the drive and motor is too long <1> | |
| Audible motor noise is too loud | Increase the carrier frequency or use Swing PWM. <2> |

<1> The carrier frequency may need to be lowered if the motor cable is too long. Refer to the table below.

<2> In Normal Duty, the carrier frequency default is for Swing PWM (C6-02 = 7), the same as setting 2 kHz. Increasing the carrier frequency is fine when the drive is set for Normal Duty, but remember that the drive rated current falls when the carrier frequency is increased.

| Wiring Distance | Up to 50 m | Up to 100 m | Greater than 100 m |
|-------------------------------------|-----------------------|-------------------------------------|--------------------------------|
| Recommended setting value for C6-02 | 1 to F (up to 15 kHz) | 1 to 2 (up to 5 kHz), 7 (Swing PWM) | 1 (up to 2 kHz), 7 (Swing PWM) |

■ C6-03, C6-04, C6-05: Carrier Frequency Upper Limit, Lower Limit, Proportional Gain

Use these parameters to set a user defined or a variable carrier frequency. To set the upper and lower limits and the carrier frequency proportional gain, first set C6-02 to F.

| No. | Parameter Name | Setting Range | Default |
|-------|--|-----------------|---------------------|
| C6-03 | Carrier Frequency Upper Limit | 1.0 to 15.0 kHz | Determined by C6-02 |
| C6-04 | Carrier Frequency Lower Limit (V/f Control only) | 1.0 to 15.0 kHz | |
| C6-05 | Carrier Frequency Proportional Gain (V/f Control only) | 0 to 99 | |

Setting a Fixed User Defined Carrier Frequency

A carrier frequency between the fixed selectable values can be entered in parameter C6-03 when C6-02 is set to F. In V/f Control, parameter C6-04 must also be adjusted to the same value as C6-03.

Setting a Variable Carrier Frequency (V/f Control)

In V/f Control, the carrier frequency can be set up to change linearly with the output frequency. To do this, set the upper and lower limits for the carrier frequency and the carrier frequency proportional gain (C6-03, C6-04, C6-05) as shown in [Figure 5.40](#).

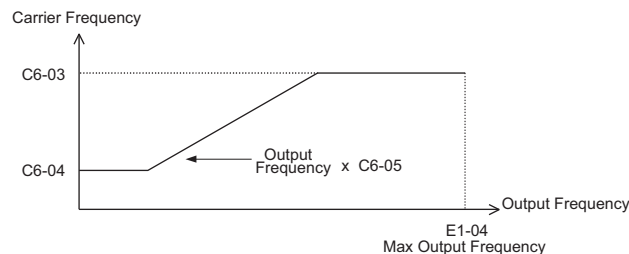


Figure 5.40 Carrier Frequency Changes Relative to Output Frequency

- Note:**
- C6-03 takes priority when the carrier frequency proportional gain C6-05 > 27 and C6-03 < C6-04.
 - When C6-05 is set lower than 7, C6-04 is disabled and the carrier frequency will be fixed to the value set in C6-03.

■ C6-09: Carrier Frequency during Rotational Auto-Tuning

C6-09 determines what the carrier frequency should be while Rotational Auto-Tuning is performed.

This parameter rarely requires adjustment, but can be helpful solving problems with overcurrent when Auto-Tuning a high frequency motor or a low impedance motor. In such cases, first set C6-03 to high value, then set C6-09 = 1.

| No. | Parameter Name | Setting Range | Default |
|-------|---|---------------|---------|
| C6-09 | Carrier Frequency during Rotational Auto-Tuning | 0, 1 | 0 |

Setting 0: 5 kHz

Setting 1: Same value set to C6-03

■ Rated Current Depending on Carrier Frequency

The tables below show the drive output current depending on the carrier frequency settings.

The 2 kHz value is equal to the Normal Duty rated current. If the carrier frequency is increased above 2 kHz in ND, the rated output current is reduced.

The 8 kHz and 5 kHz values are equal to the Heavy Duty rated current. They define the value up to which the carrier frequency can be increased in HD without a current derating (default HD carrier frequency is 2 kHz). Increasing the carrier frequency above 8 kHz or 5 kHz reduces the rated output current.

Use the data in [Table 5.16](#) to linearly calculate output current values for carrier frequencies not listed in the tables.

Table 5.16 Carrier Frequency and Current Derating

| Three-Phase 200 V Class | | | | | | | Three-Phase 400 V Class | | | | | | |
|-------------------------|------------------------|-------|--------|-------------------------|-------|--------|-------------------------|------------------------|-------|--------|-------------------------|-------|--------|
| Model CIMR-A□ | Rated Current (A) | | | | | | Model CIMR-A□ | Rated Current (A) | | | | | |
| | Heavy Duty Rating (HD) | | | Normal Duty Rating (ND) | | | | Heavy Duty Rating (HD) | | | Normal Duty Rating (ND) | | |
| | 2 kHz | 8 kHz | 15 kHz | 2 kHz | 8 kHz | 15 kHz | | 2 kHz | 8 kHz | 15 kHz | 2 kHz | 8 kHz | 15 kHz |
| 2A0004 | 3.2 | 3.2 | 2.56 | 3.5 | 3.2 | 2.56 | 4A0002 | 1.8 | 1.8 | 1.1 | 2.1 | 1.8 | 1.1 |
| 2A0006 | 5 | 5 | 4 | 6 | 5 | 4 | 4A0004 | 3.4 | 3.4 | 2 | 4.1 | 3.4 | 2 |
| 2A0010 | 8 | 8 | 6.4 | 9.6 | 8 | 6.4 | 4A0005 | 4.8 | 4.8 | 2.9 | 5.4 | 4.8 | 2.9 |
| 2A0012 | 11 | 11 | 8.8 | 12 | 11 | 8.8 | 4A0007 | 5.5 | 5.5 | 3.3 | 6.9 | 5.5 | 3.3 |
| 2A0021 | 17.5 | 17.5 | 14 | 21 | 17.5 | 14 | 4A0009 | 7.2 | 7.2 | 4.3 | 8.8 | 7.2 | 4.3 |
| 2A0030 | 25 | 25 | 20 | 30 | 25 | 20 | 4A0011 | 9.2 | 9.2 | 5.5 | 11.1 | 9.2 | 5.5 |
| 2A0040 | 33 | 33 | 26.4 | 40 | 33 | 26.4 | 4A0018 | 14.8 | 14.8 | 8.9 | 17.5 | 14.8 | 8.9 |
| 2A0056 | 47 | 47 | 37.6 | 56 | 47 | 37.6 | 4A0023 | 18 | 18 | 10.8 | 23 | 18 | 10.8 |
| 2A0069 | 60 | 60 | 48 | 69 | 60 | 48 | 4A0031 | 24 | 24 | 14.4 | 31 | 24 | 14.4 |
| 2A0081 | 75 | 75 | 53 | 81 | 75 | 53 | 4A0038 | 31 | 31 | 18.6 | 38 | 31 | 18.6 |
| 2A0110 | 85 | 85 | 60 | 110 | 85 | 60 | 4A0044 | 39 | 39 | 23.4 | 44 | 39 | 23.4 |
| 2A0138 | 115 | 115 | 81 | 138 | 115 | 81 | 4A0058 | 45 | 45 | 27 | 58 | 45 | 27 |
| | | | | | | | 4A0072 | 60 | 60 | 36 | 72 | 60 | 36 |
| | | | | | | | 4A0088 | 75 | 75 | 45 | 88 | 75 | 45 |
| | | | | | | | 4A0103 | 91 | 91 | 55 | 103 | 91 | 55 |

| Three-Phase 200 V Class | | | | | | | Three-Phase 400 V Class | | | | | | |
|-------------------------|------------------------|-------|--------|-------------------------|-------|--------|-------------------------|------------------------|-------|--------|-------------------------|-------|--------|
| Model CIMR-A□ | Rated Current (A) | | | | | | Model CIMR-A□ | Rated Current (A) | | | | | |
| | Heavy Duty Rating (HD) | | | Normal Duty Rating (ND) | | | | Heavy Duty Rating (HD) | | | Normal Duty Rating (ND) | | |
| | 2 kHz | 5 kHz | 10 kHz | 2 kHz | 5 kHz | 10 kHz | | 2 kHz | 5 kHz | 10 kHz | 2 kHz | 5 kHz | 10 kHz |
| 2A0169 | 145 | 145 | 116 | 169 | 145 | 116 | 4A0139 | 112 | 112 | 78 | 139 | 112 | 78 |
| 2A0211 | 180 | 180 | 144 | 211 | 180 | 144 | 4A0165 | 150 | 150 | 105 | 165 | 150 | 105 |
| 2A0250 | 215 | 215 | 172 | 250 | 215 | 172 | 4A0208 | 180 | 180 | 126 | 208 | 180 | 126 |
| 2A0312 | 283 | 283 | 226 | 312 | 283 | 226 | 4A0250 | 216 | 216 | 151 | 250 | 216 | 151 |
| 2A0360 | 346 | 346 | 277 | 360 | 346 | 277 | 4A0296 | 160 | 260 | 182 | 296 | 260 | 182 |
| 2A0415 | 415 | 415 | 332 | 415 | 415 | 332 | 4A0362 | 304 | 304 | 213 | 362 | 304 | 213 |
| | | | | | | | 4A0414 | 370 | 370 | – | 414 | 370 | – |
| | | | | | | | 4A0515 | 450 | 375 | – | 515 | 397 | – |
| | | | | | | | 4A0675 | 605 | 504 | – | 675 | 528 | – |

5.4 d: Reference Settings

The figure below gives an overview of the reference input, selections, and priorities.

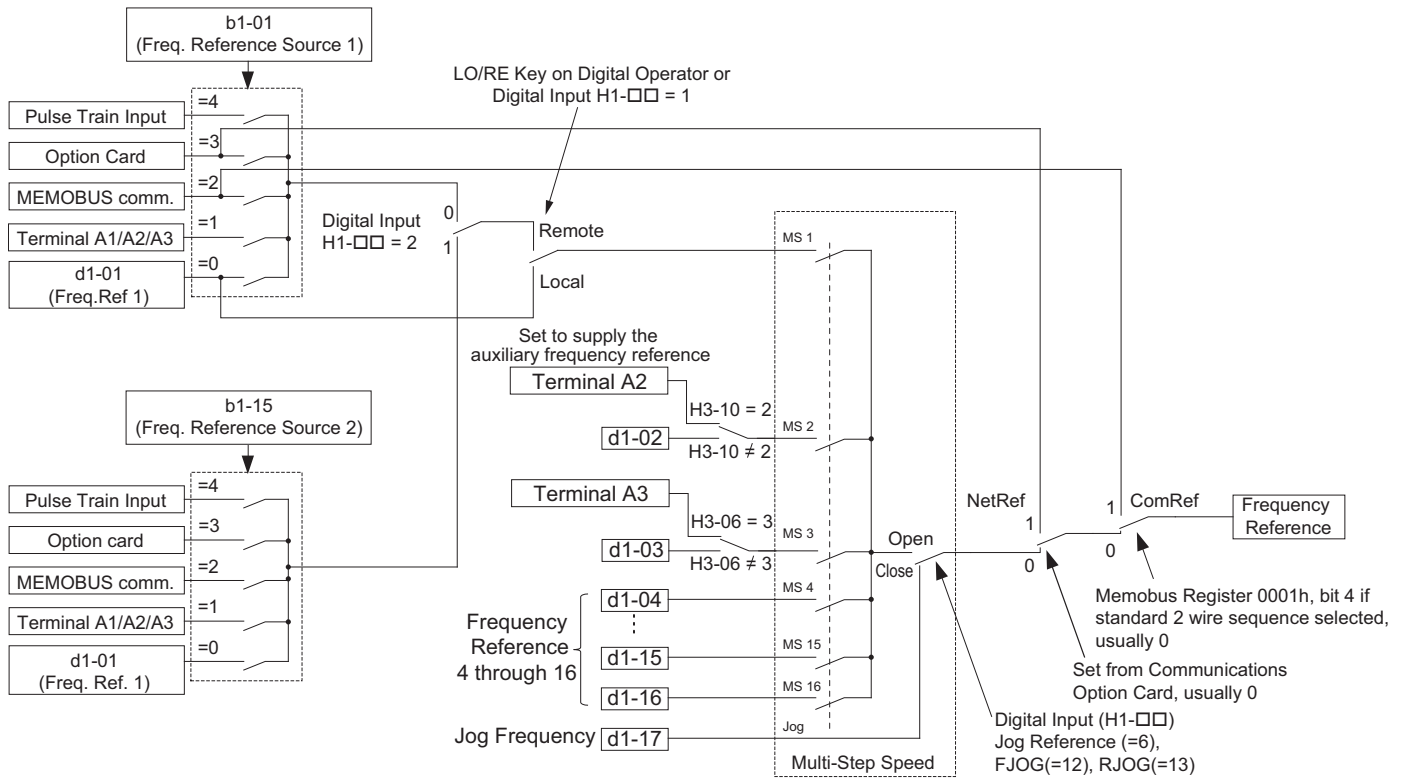


Figure 5.41 Frequency Reference Setting Hierarchy

◆ d1: Frequency Reference

■ d1-01 to d1-17: Frequency Reference 1 to 16 and Jog Frequency Reference

Up to 17 preset frequency references (including the Jog reference) can be programmed in the drive. The drive lets the user switch between these frequency references during run by using the digital input terminals. The drive uses the acceleration and deceleration times that have been selected when switching between each frequency reference.

The Jog frequency must be selected by a separate digital input and overrides all other frequency references.

The multi-speed references 1, 2, and 3 can be provided by analog inputs.

| No. | Parameter Name | Setting Range | Default |
|----------------|-----------------------------|--------------------------|-------------|
| d1-01 to d1-16 | Frequency Reference 1 to 16 | 0.00 to 400.00 Hz <1><2> | 0.00 Hz <2> |
| d1-17 | Jog Frequency Reference | 0.00 to 400.00 Hz <1><2> | 6.00 Hz <2> |

<1> The upper limit is determined by the maximum output frequency (E1-04) and upper limit for the frequency reference (d2-01).

<2> Setting units are determined by parameter o1-03. The default is “Hz” (o1-03 = 0) in V/f, V/f w/PG, OLV, CLV, and OLV/PM control modes. The default for AOLV/PM and CLV/PM control modes expresses the frequency reference as a percentage (o1-03 = 1).

Multi-Step Speed Selection

To use several speed references for a multi-step speed sequence, set the H1-□□ parameters to 3, 4, 5, and 32. To assign the Jog reference to a digital input, set H1-□□ to 6.

Notes on using analog inputs as Multi-Speed 1, 2, and 3:

- The first frequency reference (Multi-Speed 1) comes from the source specified in b1-01. When using an analog input terminal to supply the frequency reference, the frequency reference source must be assigned to the control terminals (b1-01 = 1).
- When an analog input is set to “Auxiliary frequency 1” (H3-02, H2-06, or H2-10 = 2), then the value set to this input will be used as the Multi-Speed Speed 2 instead of the value set to parameter d1-02. If no analog inputs are set for “Auxiliary frequency 1”, then d1-02 becomes the reference for Multi-Speed Speed 2.

- When the an analog input is set to “Auxiliary frequency 2” (H3-02, H2-06, or H2-10 = 3), then the value set to this input will be used as the Multi-Step Speed 3 instead of the value set to parameter d1-03. If no analog inputs are set for “Auxiliary frequency 2”, then d1-03 becomes the reference for Multi-Step Speed 3.

The different speed references can be selected as shown in **Table 5.17**. **Figure 5.42** illustrates the multi-step speed selection.

Table 5.17 Multi-Step Speed Reference and Terminal Switch Combinations

| Reference | Multi-Step Speed 1 H1-□□=3 | Multi-Step Speed 2 H1-□□=4 | Multi-Step Speed 3 H1-□□=5 | Multi-Step Speed 4 H1-□□=32 | Jog Reference H1-□□=6 |
|--|-------------------------------|-------------------------------|-------------------------------|--------------------------------|--------------------------|
| Frequency Reference 1 (set in b1-01) | OFF | OFF | OFF | OFF | OFF |
| Frequency Reference 2 (d1-02 or input terminal A1, A2, A3) | ON | OFF | OFF | OFF | OFF |
| Frequency Reference 3 (d1-03 or input terminal A1, A2, A3) | OFF | ON | OFF | OFF | OFF |
| Frequency Reference 4 (d1-04) | ON | ON | OFF | OFF | OFF |
| Frequency Reference 5 (d1-05) | OFF | OFF | ON | OFF | OFF |
| Frequency Reference 6 (d1-06) | ON | OFF | ON | OFF | OFF |
| Frequency Reference 7 (d1-07) | OFF | ON | ON | OFF | OFF |
| Frequency Reference 8 (d1-08) | ON | ON | ON | OFF | OFF |
| Frequency Reference 9 (d1-09) | OFF | OFF | OFF | ON | OFF |
| Frequency Reference 10 (d1-10) | ON | OFF | OFF | ON | OFF |
| Frequency Reference 11 (d1-11) | OFF | ON | OFF | ON | OFF |
| Frequency Reference 12 (d1-12) | ON | ON | OFF | ON | OFF |
| Frequency Reference 13 (d1-13) | OFF | OFF | ON | ON | OFF |
| Frequency Reference 14 (d1-14) | ON | OFF | ON | ON | OFF |
| Frequency Reference 15 (d1-15) | OFF | ON | ON | ON | OFF |
| Frequency Reference 16 (d1-16) | ON | ON | ON | ON | OFF |
| Jog Frequency Reference (d1-17) <1> | - | - | - | - | ON |

<1> The Jog frequency overrides whatever frequency reference is being used.

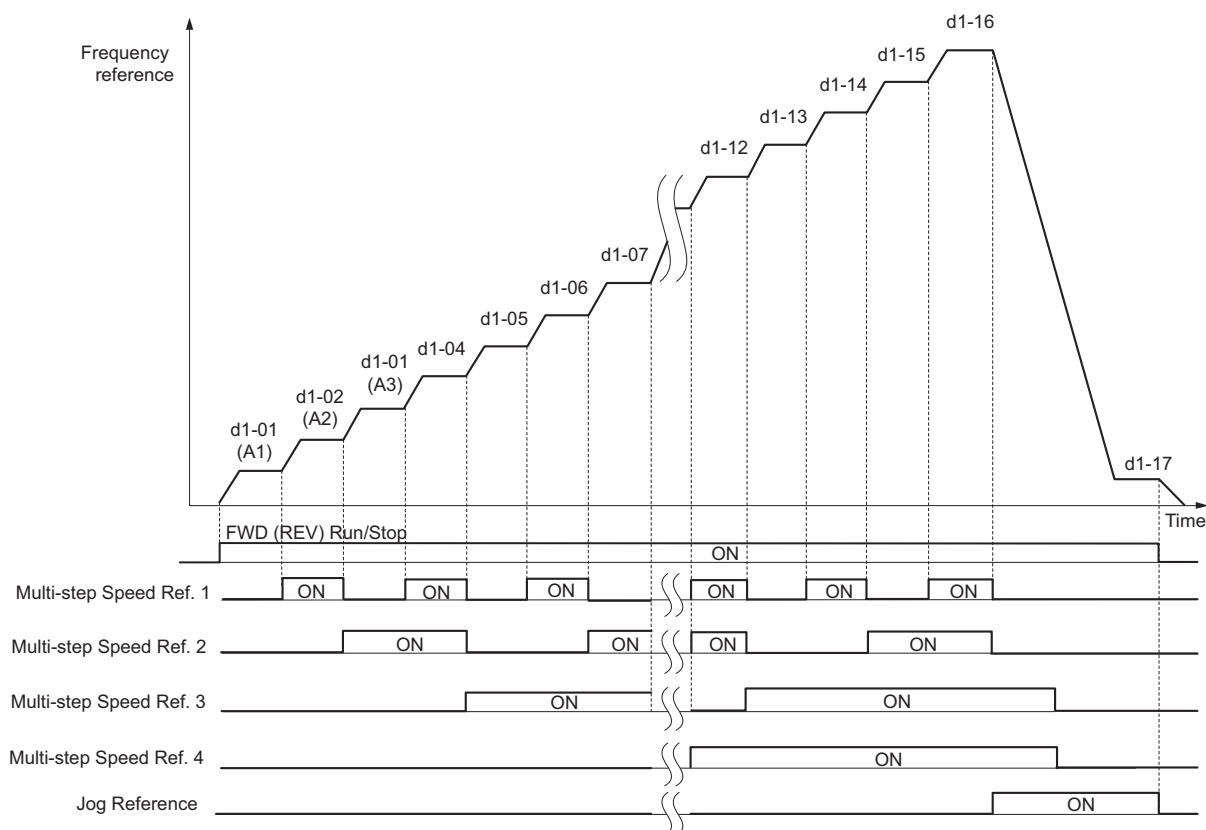


Figure 5.42 Preset Reference Timing Diagram

5.4 d: Reference Settings

◆ d2: Frequency Upper/Lower Limits

By entering upper or lower frequency limits, the user can keep motor speed from going above or below levels that may cause resonance or equipment damage.

■ d2-01: Frequency Reference Upper Limit

Sets the maximum frequency reference as a percentage of the maximum output frequency. This limit applies to all frequency references.

Even if the frequency reference is set to a higher value, the drive internal frequency reference will not exceed this value.

| No. | Parameter Name | Setting Range | Default |
|-------|---------------------------------|---------------|---------|
| d2-01 | Frequency Reference Upper Limit | 0.0 to 110.0% | 100.0% |

■ d2-02: Frequency Reference Lower Limit

Sets the minimum frequency reference as a percentage of the maximum output frequency. This limit applies to all frequency references.

If a lower reference than this value is entered, the drive will run at the limit set to d2-02. If the drive is started with a lower reference than d2-02, it will accelerate up to d2-02.

| No. | Parameter Name | Setting Range | Default |
|-------|---------------------------------|---------------|---------|
| d2-02 | Frequency Reference Lower Limit | 0.0 to 110.0% | 0.0% |

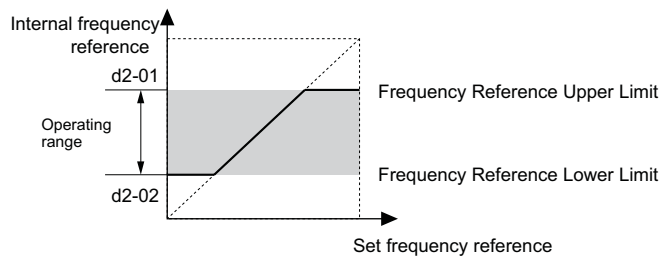


Figure 5.43 Frequency Reference: Upper and Lower Limits

■ d2-03: Master Speed Reference Lower Limit

Unlike frequency reference lower limit (d2-02) that affects the all frequency references wherever they are sourced from (i.e., analog input, preset speed, Jog speed, etc.), the master speed lower limit (d2-03) sets a lower limit that will only affect a frequency reference entered from the analog input terminals (A1, A2, or A3).

Set as a percentage of the maximum output frequency.

Note: When lower limits are set to both parameters d2-02 and d2-03, the drive uses the greater of those two values as the lower limit.

| No. | Parameter Name | Setting Range | Default |
|-------|------------------------------------|---------------|---------|
| d2-03 | Master Speed Reference Lower Limit | 0.0 to 110.0% | 0.0% |

◆ d3: Jump Frequency

■ d3-01 to d3-04: Jump Frequencies 1, 2, 3 and Jump Frequency Width

To avoid operating at a speed that causes resonance in driven machinery, the drive can be programmed with three separate Jump frequencies. The Jump frequencies are frequency ranges that the drive will not operate at. If the speed reference falls within a Jump frequency dead band, the drive will clamp the frequency reference just below the dead band and only accelerate past it when the frequency reference rises above the upper end of the dead band.

Setting parameters d3-01 through d3-03 to 0.0 Hz disables the Jump frequency function.

| No. | Parameter Name | Setting Range | Default |
|-------|------------------|---------------------|------------|
| d3-01 | Jump Frequency 1 | 0.0 to 400.0 Hz </> | 0.0 Hz </> |
| d3-02 | Jump Frequency 2 | 0.0 to 400.0 Hz </> | 0.0 Hz </> |
| d3-03 | Jump Frequency 3 | 0.0 to 400.0 Hz </> | 0.0 Hz </> |

| No. | Parameter Name | Setting Range | Default |
|-------|----------------------|--------------------|------------|
| d3-04 | Jump Frequency Width | 0.0 to 20.0 Hz <I> | 1.0 Hz <I> |

<I> In AOLV/PM and CLV/PM control modes, the setting units and range are expressed as a percent instead of in Hz.

Figure 5.44 shows the relationship between the Jump frequency and the output frequency.

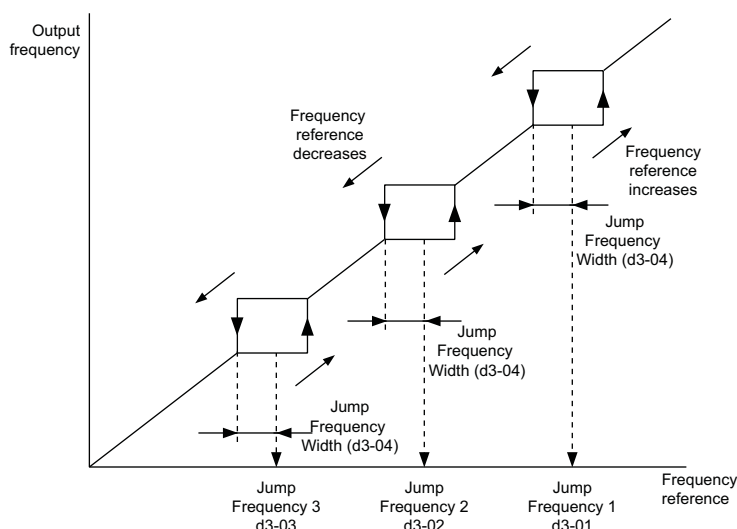


Figure 5.44 Jump Frequency Operation

- Note:**
1. The drive will use the active accel/decel time to pass through the specified dead band range, but will not allow continuous operation in that range.
 2. When setting more than one Jump frequency, make sure that $d3-01 \geq d3-02 \geq d3-03$.

◆ d4: Frequency Reference Hold and Up/Down 2 Function

■ d4-01: Frequency Reference Hold Function Selection

This parameter is effective when either of the digital input functions listed below is used.

- Accel/decel ramp hold function (H1-□□ = A)
- Up/Down function (H1-□□ = 10 and 11)
- Up/Down 2 function (H1-□□ = 75 and 76)

Parameter d4-01 determines whether the frequency reference or the frequency bias (Up/Down 2) value is saved when the Stop command is entered or the power supply is shut down.

| No. | Parameter Name | Setting Range | Default |
|-------|---|---------------|---------|
| d4-01 | Frequency Reference Hold Function Selection | 0 or 1 | 0 |

The operation depends on the function used with parameter d4-01.

Setting 0: Disabled

- Acceleration hold

The hold value will be reset to 0 Hz when the Stop command is entered or the drive power is switched off. The active frequency reference will be the value the drive uses when it restarts.

- Up/Down

The frequency reference value will be reset to 0 Hz when the Stop command is entered or the drive power is switched off. The drive will start from 0 Hz when it is turned back on again.

- Up/Down 2

The frequency bias is not saved when the Stop command is entered, or 5 s after the Up/Down 2 command has been released. The Up/Down 2 function will start with a bias of 0% when the drive is restarted.

Setting 1: Enabled

- Acceleration hold

The last hold value will be saved when the Run command or the drive power is switched off. The drive will use the value that was saved as the frequency reference when it restarts. The multi-function input terminal set for “Accel/decel

5.4 d: Reference Settings

ramp hold” (H1-□□ = A) must be enabled the entire time, or else the hold value will be cleared when the power is switched on.

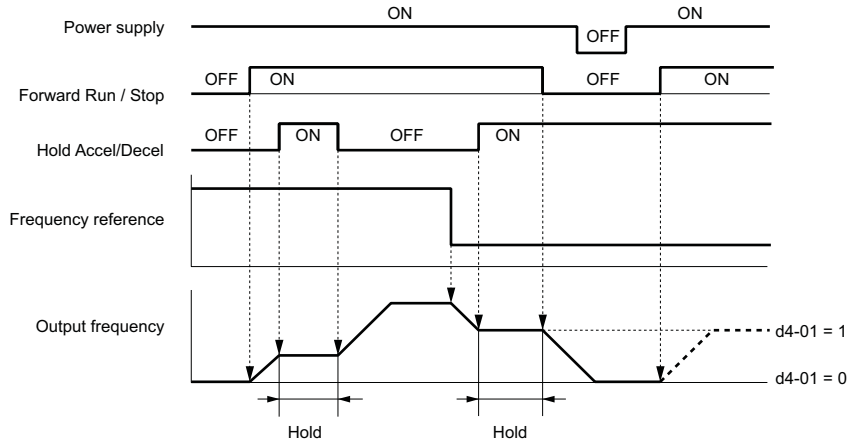


Figure 5.45 Frequency Reference Hold with Accel/Decel Hold Function

- Up/Down

The frequency reference value will be saved when the Run command or the drive power is switched off. The drive will use the frequency reference that was saved when it restarts.

- Up/Down 2 with frequency reference from digital operator

When a Run command is active and the Up/Down 2 command is released for longer than 5 s, the Up/Down 2 bias value is added to the frequency reference and then reset to 0. This new frequency reference is saved and will also be used to restart the drive after the power is cycled.

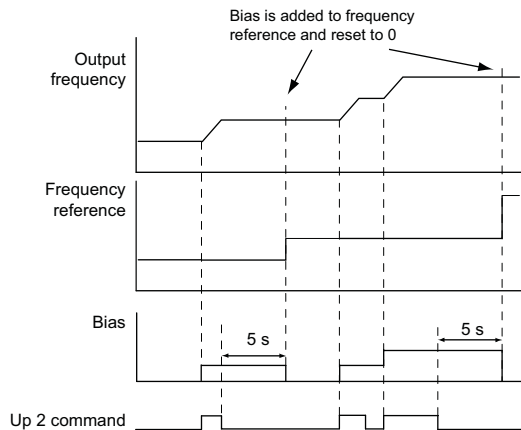


Figure 5.46 Up/Down 2 Example with Reference from Digital Operator and d4-01 = 1

- Up/Down 2 with frequency reference from input sources other than the digital operator

When a Run command is active and the Up/Down 2 command is released for longer than 5 s, the bias value will be saved in parameter d4-06. When restarting after the power is switched off, the drive will add the value saved in d4-06 as a bias to the frequency reference.

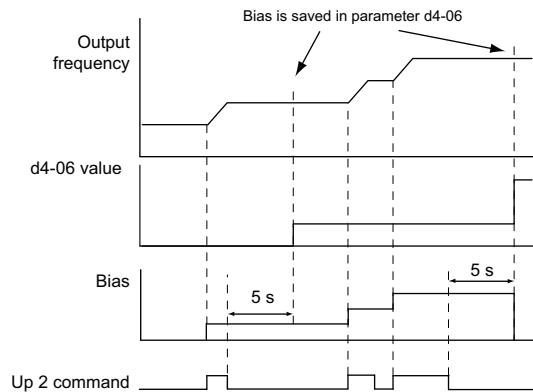


Figure 5.47 Up/Down 2 Example with Other Reference than Digital Operator and d4-01 = 1

Note: Make sure to set the limits for Up/Down 2 properly when using d4-01 = 1 in combination with the Up/Down 2 function. *Refer to*

d4-08: Frequency Reference Bias Upper Limit (Up/Down 2) on page 187 and *Refer to d4-09: Frequency Reference Bias Lower Limit (Up/Down 2) on page 187* for details on the limit settings.

Clearing the Value that was Saved

Depending on which function is used, the frequency reference value that was saved can be cleared by:

- Releasing the input programmed for Acceleration hold.
- Setting an Up or Down command while no Run command is active.
- Parameter d4-06 is reset to zero. Refer to *d4-06: Frequency Reference Bias (Up/Down 2) on page 186* for details.

■ d4-03: Frequency Reference Bias Step (Up/Down 2)

Sets the bias that is added to or subtracted from the frequency reference by the Up/Down 2 function.

| No. | Parameter Name | Setting Range | Default |
|-------|---|------------------|---------|
| d4-03 | Frequency Reference Bias Step (Up/Down 2) | 0.00 to 99.99 Hz | 0.00 Hz |

The operation depends on the set value:

Setting d4-03 = 0.0 Hz

While the Up 2 or Down 2 command is enabled, the bias value is increased or decreased using the accel/decel time determined by parameter d4-04.

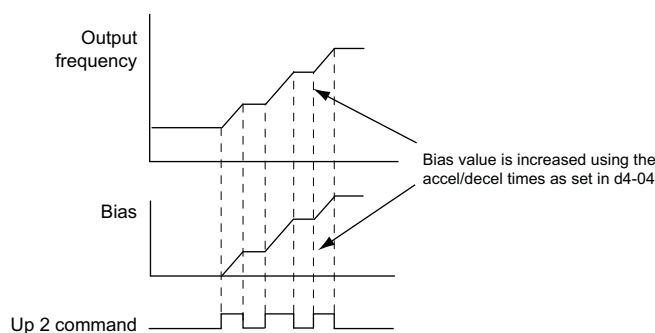


Figure 5.48 Up/Down 2 Bias when d4-03 = 0.0 Hz

Setting d4-03 ≠ 0.0 Hz

When an Up 2 or Down 2 command is enabled, the bias is increased or decreased in steps for the value set in d4-03. The frequency reference changes with the accel/decel times determined by parameter d4-04.

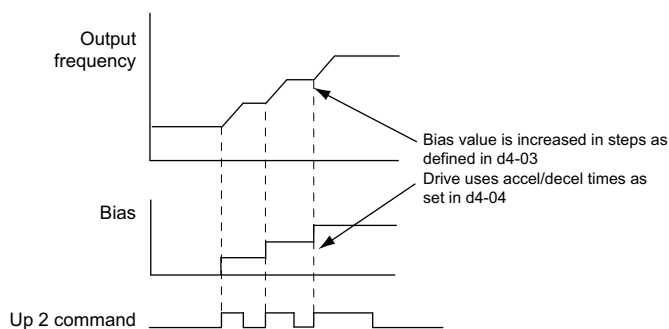


Figure 5.49 Up/Down 2 Bias when d4-03 > 0.0 Hz

■ d4-04: Frequency Reference Bias Accel/Decel (Up/Down 2)

Parameter d4-04 determines the accel/decel times that are used for increasing/decreasing the frequency reference or bias when the Up/Down 2 function is used.

| No. | Parameter Name | Setting Range | Default |
|-------|--|---------------|---------|
| d4-04 | Frequency Reference Bias Accel/Decel (Up/Down 2) | 0 or 1 | 0 |

Setting 0: Current Accel/Decel Time

The drive uses the currently active accel/decel time.

5.4 d: Reference Settings

Setting 1: Accel/Decel Time 4

The drive uses accel/decel time 4 set to parameters C1-07 and C1-08.

■ d4-05: Frequency Reference Bias Operation Mode Selection (Up/Down 2)

Determines if the bias value is held or not when the Up/Down 2 inputs are both released or both enabled. The parameter is effective only when parameter d4-03 is set to 0.00.

| No. | Parameter Name | Setting Range | Default |
|-------|---|---------------|---------|
| d4-05 | Frequency Reference Bias Operation Mode Selection (Up/Down 2) | 0 or 1 | 0 |

Setting 0: Hold Bias Value

The bias value will be held if no input Up 2 or Down 2 is active.

Setting 1: Reset Bias Value

The bias is reset to 0% when both inputs Up 2 and Down 2 are either on or off. The drive will use the accel/decel time as selected in d4-04 to accelerate or decelerate to the frequency reference value.

■ d4-06: Frequency Reference Bias (Up/Down 2)

This parameter is used to save the frequency reference bias value set by the Up/Down 2 function. It is set as a percentage of the maximum output frequency. The function of d4-06 depends on how the Up/Down 2 function is configured.

- This parameter is normally not used when the frequency reference is set by the digital operator. The user can set d4-06 to a certain value that will be applied during run, but this value will be reset when the frequency reference changes (including multi-step references) or will be disabled when d4-01 = 0 and the Run command is removed.
- When d4-01 = 0 and the frequency reference is set by a source other than the digital operator, the value set in d4-06 is generally added to or subtracted from the frequency reference.
- When d4-01 = 1 and the frequency reference is set by a source other than the digital operator, the bias value adjusted with the Up/Down 2 inputs is stored in d4-06 once 5 s have passed after the Up 2 or Down 2 command is released. The frequency reference will then return to what it was without the Up/Down 2 command.

| No. | Parameter Name | Setting Range | Default |
|-------|--------------------------------------|-----------------|---------|
| d4-06 | Frequency Reference Bias (Up/Down 2) | -99.9 to 100.0% | 0.0% |

Conditions that Generally Reset or Disable Parameter d4-06

- When the Up/Down 2 function has not been assigned to the multi-function terminals
- When the frequency reference source has been changed (including LOCAL/REMOTE or External reference 1/2 switch over by digital inputs)
- If d4-03 = 0 Hz, d4-05 = 1 and the Up/Down 2 commands are both open or both closed
- Any changes to the maximum frequency set to E1-04

■ d4-07: Analog Frequency Reference Fluctuation Limit (Up/Down 2)

This parameter is for handling changes in the frequency reference while the terminal set for Up 2 or Down 2 is enabled. If the frequency reference changes for more than the level set to d4-07, then the bias value will be held, and the drive will accelerate or decelerate following the frequency reference. When the frequency reference is reached, the bias hold is released and the bias follows the Up/Down 2 input commands.

Parameter d4-07 is applicable only if the frequency reference is set by an analog or pulse input.

| No. | Parameter Name | Setting Range | Default |
|-------|--|---------------|---------|
| d4-07 | Analog Frequency Reference Fluctuation Limit (Up/Down 2) | 0.1 to 100.0% | 1.0% |

■ d4-08: Frequency Reference Bias Upper Limit (Up/Down 2)

Parameter d4-08 sets the upper limit of the Up/Down 2 bias (monitor U6-20) and the value that can be saved in parameter d4-06. Set this parameter to an appropriate value before using the Up/Down 2 function.

Note: When the frequency reference is set by the digital operator ($b1-01 = 0$) and $d4-01 = 1$, the bias value will be added to the frequency reference if no Up/Down 2 command is received for 5 s, and will be reset to 0 afterwards. From that point, the bias can be increased up to the limit set in d4-08 again.

| No. | Parameter Name | Setting Range | Default |
|-------|--|---------------|---------|
| d4-08 | Frequency Reference Bias Upper Limit (Up/Down 2) | 0.0 to 100.0% | 100.0% |

■ d4-09: Frequency Reference Bias Lower Limit (Up/Down 2)

Parameter d4-09 sets the lower limit of the Up/Down 2 bias (monitor U6-20) and the value that can be saved in parameter d4-06. Set this parameter to an appropriate value before using the Up/Down 2 function.

Note: When the frequency reference is set by the digital operator ($b1-01 = 0$) and $d4-01 = 1$, the bias value will be added to the frequency reference if no Up/Down 2 command is received for 5 s, and will be reset to 0 afterwards. If the bias is increased using the Up 2 command, it cannot be reduced with a Down 2 command when the limit set in d4-09 is 0. To allow speed reduction in this situation, set a negative lower limit in d4-09.

| No. | Parameter Name | Setting Range | Default |
|-------|--|---------------|---------|
| d4-09 | Frequency Reference Bias Lower Limit (Up/Down 2) | -99.9 to 0.0% | 0.0% |

■ d4-10: Up/Down Frequency Reference Limit Selection

Selects how the lower frequency limit is set when the Up/Down function is used. Refer to [Setting 10, 11: Up, Down command on page 217](#) for details on the Up/Down function in combination with frequency reference limits.

| No. | Parameter Name | Setting Range | Default |
|-------|---|---------------|---------|
| d4-10 | Up/Down Frequency Reference Limit Selection | 0 or 1 | 0 |

Setting 0: Lower Limit is Determined by d2-02 or Analog Input

The lower frequency reference limit is determined by the higher value of either parameter d2-02 or an analog input (A1, A2, A3) that is programmed for “Frequency bias”.

Note: For example, if the command to switch the external reference ($H1-\square\square = 2$) is used to switch between the Up/Down function and an analog input as the reference source, then the analog value would become the lower reference limit when the Up/Down command is active. Change d4-10 to 1 to make the Up/Down function independent of the analog input value.

Setting 1: Lower Limit is Determined by Parameter d2-02

Only parameter d2-02 sets the lower frequency reference limit.

■ d4-11: Bi-Directional Output Selection

Selects if the frequency reference or PID output value is converted into bi-directional internal frequency reference. Refer also to the PID block diagram in [Figure 5.23](#) to see how bi-directional output works.

Note: When used in combination with PID control, the bi-directional output function can be enabled or disabled using a digital input ($H1-\square\square = 7F$)

| No. | Parameter Name | Setting Range | Default |
|-------|---------------------------------|---------------|---------|
| d4-11 | Bi-Directional Output Selection | 0 or 1 | 0 |

Setting 0: No Conversion

The frequency reference or PID output value is used as it is without being converted. The drive will operate in the direction selected from 0 to 100% of the maximum output frequency.

Setting 1: Bi-Directional Output Conversion

When the frequency reference or PID output is below 50%, the drive reverses the selected direction. When it is above 50% the drive works in the selected direction.

5.4 d: Reference Settings

■ d4-12: Stop Position Gain

Sets the gain for adjusting the stopping accuracy when simple positioning is selected as the stopping method (b1-03 = 9).

| No. | Parameter Name | Setting Range | Default |
|-------|--------------------|---------------|---------|
| d4-12 | Stop Position Gain | 0.50 to 2.55 | 1.00 |

Increase the value if the motor stops before the desired stop position is reached. Decrease it if the motor stops too late. Also refer to [b1-03: Stopping Method Selection on page 138](#) for details on simple positioning.

◆ d5: Torque Control

Torque Control is available for CLV and CLV/PM (A1-02 = 3, 7). It allows to define a setpoint for the torque produced by the motor.

■ Torque Control Operation

Torque control can be enabled either by setting parameter d5-01 to 1 or by a digital input (H1-□□ = 71). [Figure 5.50](#) illustrates the working principle.

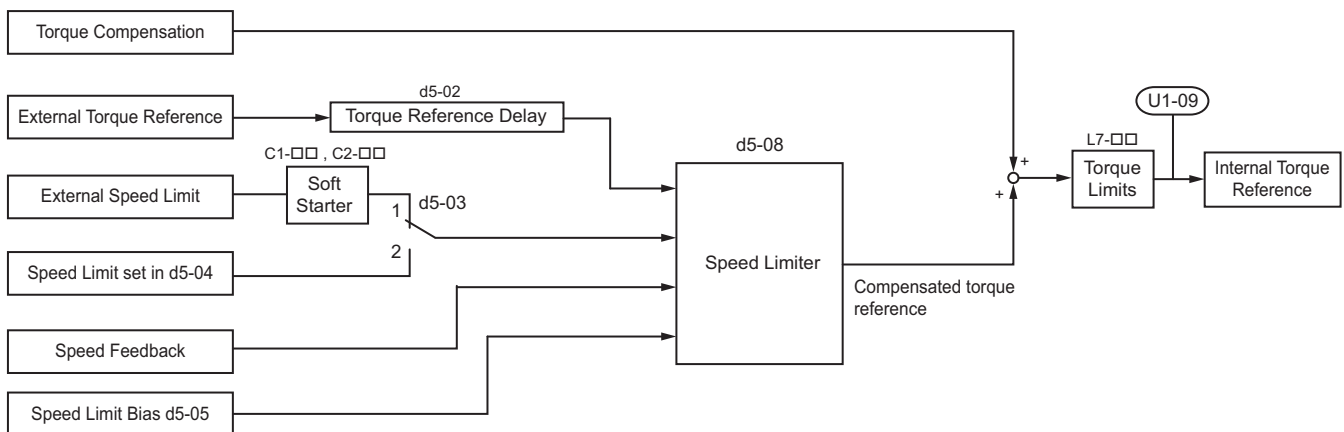


Figure 5.50 Torque Control Block Diagram

The externally input torque reference is used as the target value for the motor output torque. If the motor torque reference and the load torque are not in balance when in Torque Control, the motor accelerates or decelerates. An operation beyond the speed limit is prevented by compensating the external torque reference value if the motor speed reaches the limit. The compensation value is calculated using the speed limit, speed feedback, and the speed limit bias.

If an external torque compensation value is input, it is added to the speed limit compensated torque reference value. The value calculated is limited by the L7-□□ settings, and is then used as the internal torque reference, which can be monitored in U1-09. The L7-□□ settings have highest priority, i.e., the motor cannot be operated with a higher torque than the L7-□□ settings, even if the external torque reference value is increased.

■ Setting the Torque Reference, Speed Limit, and Torque Compensation Values

Torque Control Reference Sources

Input values for Torque Control can be set like explained in [Table 5.18](#).

Table 5.18 Torque Control Input Value Selection

| Input Value | Signal Source | Settings | Remarks |
|------------------|---------------------------|--|---|
| Torque Reference | Analog inputs A1/A2/A3 | H3-02, H3-06, or H3-10 = 13 <I> | Make sure the signal level settings for the input terminal selected match the signal used. Refer to H3: Multi-Function Analog Inputs on page 234 for details on adjusting analog input signals. |
| | Analog Option Card | <ul style="list-style-type: none"> F2-01 = 0 H3-02, H3-06, or H3-10 = 13 <I> | The F3-□□ settings become effective for the option board input terminals. Make sure the signal level settings for the input terminal selected match the signal used. Refer to H3: Multi-Function Analog Inputs on page 234 for details on adjusting analog input signals. |
| | MEMOBUS Register 0004h | Set Register 000Fh, Bit 2 = 1 to enable Torque reference from register 0004h | – |
| | Communication Option Card | F6-06 = 1 Refer to the option card manual for details about setting the torque compensation value. | – |

| Input Value | Signal Source | Settings | Remarks |
|---------------------|---|--|--|
| Speed Limit | Signal selected as frequency reference source | d5-03 = 1 The speed limit is taken from the input selected as frequency reference source in parameter b1-01 or b1-15. </> | The settings in C1-□□ for accel/decel times and in C2-□□ for S-curves are applied to the speed limit value. |
| | Parameter d5-04 | d5-03 = 2 | – |
| Torque Compensation | Analog inputs A1/A2/A3 | H3-02, H3-06, or H3-10 = 14 </> | Make sure the signal level settings for the input terminal selected match the signal used. Refer to H3: Multi-Function Analog Inputs on page 234 for details on adjusting analog input signals. |
| | Analog Option Card | • F2-01 = 0 • H3-02, H3-06, or H3-10 = 14 </> | The H3-□□ settings become effective for the option card input terminals. Make sure the signal level settings for the input terminal selected match the signal used. |
| | MEMOBUS Register 0005h | Set Register 000Fh, bit 3 = 1 to enable the torque reference setting by register 0005h | – |
| | Communication Option Card | F6-06 = 1 Refer to the option card manual for details about setting the torque compensation value. | – |

<1> Sets analog input terminals A1, A2, and A3 to supply the speed limit, torque reference, or torque compensation. An oPE error will occur if two analog inputs are set for the same function.

Input Value Polarity

The direction of the input values described above depends on the polarity of the Run command and the input value.

Table 5.19 Torque Control Signal Polarity

| Run Command Direction | Input Value Polarity | Input Value Direction |
|-----------------------|----------------------|-----------------------|
| Forward | + (positive) | Forward direction |
| | - (negative) | Reverse direction |
| Reverse | + (positive) | Reverse direction |
| | - (negative) | Forward direction |

Example:

- With a Forward run command and a positive torque reference signal the internal torque reference will be positive, i.e., in the forward direction.
- With a Forward run command and a negative torque reference signal the internal torque reference will be negative, i.e., in the reverse direction.

When analog inputs are used, negative input values can be generated by

- applying negative voltage input signals.
- using positive analog input signals but setting the analog input bias to negative values so that the input value can be negative.

When MEMOBUS communication or a communication option card is used, only positive input values can be set.

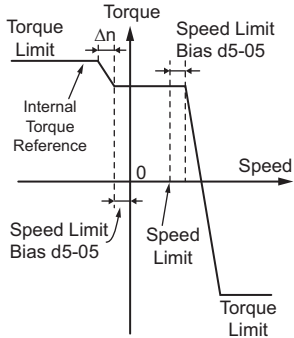
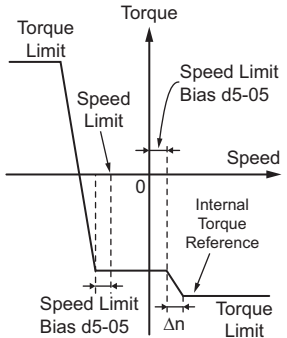
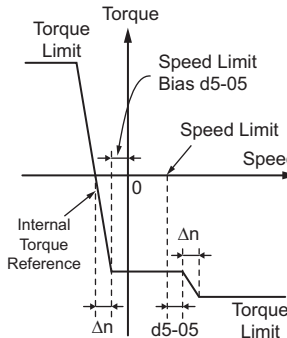
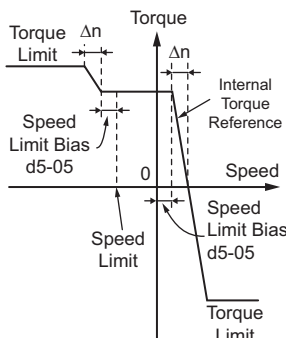
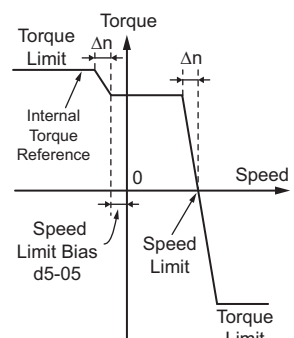
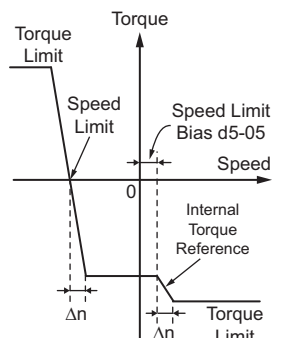
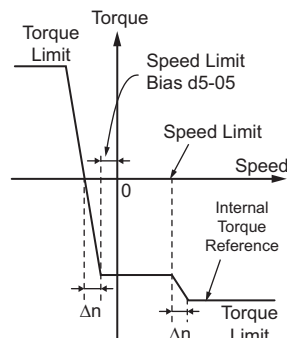
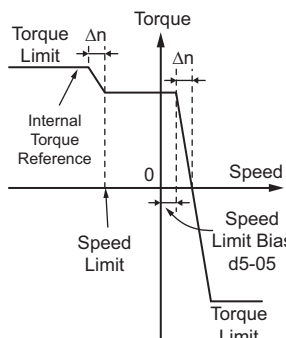
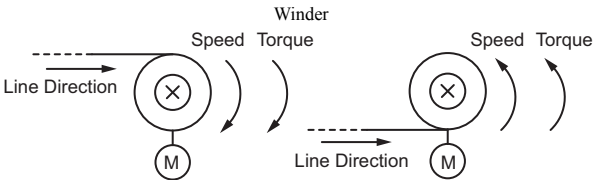
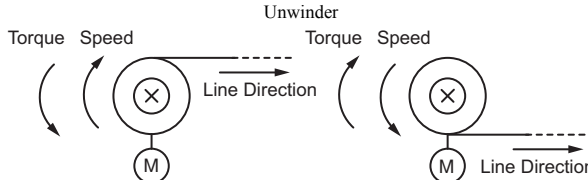
Independent of its input source, the polarity of the torque reference signal can be inverted using a digital input that is programmed for H1-□□ = 78. Use this function to input negative torque reference values when using MEMOBUS or a communication option card.

5.4 d: Reference Settings

■ Speed Limitation and Speed Limit Bias

The speed limit setting is read from the input selected in parameter d5-03. A bias can be added to this speed limit using parameter d5-05 while parameter b5-08 determines how the speed limit bias is applied. [Table 5.20](#) explains the relation between these settings.

Table 5.20 Speed Limit, Speed Bias and Speed Limit Priority Selection

| Run Command | Operating Conditions | | | |
|------------------------------|---|--|--|--|
| | Forward | Forward | Forward | Forward |
| Torque Reference Direction | Positive (Forward) | Negative (Reverse) | Negative (Reverse) | Positive (Forward) |
| Speed Limit Direction | Positive (Forward) | Negative (Reverse) | Positive (Forward) | Negative (Reverse) |
| Normal Operation Direction | Forward | Reverse | Forward | Reverse |
| Generated Torque (d5-08 = 0) |  |  |  |  |
| Generated Torque (d5-08 = 1) |  |  |  |  |
| Application Example | Winder  | | Unwinder  | |

<1> The value of delta n in the drawings depends on the ASR setting in parameters C5-□□.

■ Indicating Operation at the Speed Limit

A digital output can be programmed to close when the drives is operating at or beyond the speed limit (H2-□□ = 32). Use this output to notify a PLC or some other control device of abnormal operating conditions.

■ Switching Between Torque and Speed Control

A digital output can be used to switch Torque Control and Speed Control (H1-□□ = 71). When switching from Speed Control to Torque Control, the torque limit becomes the torque reference and the speed reference becomes the speed limit. This change is reversed when switching back to Speed Control.

If required by the application, a delay time can be set up using parameter d5-06. The reference values (torque reference/speed limit in Torque Control or speed reference/torque limit in Speed Control) are held during this switch delay time. Be sure to change the reference values from the controller within this delay time.

Note: 1. The switching delay time d5-06 is not applied when the Stop command is entered. Here the operation switches immediately to speed control and the drive decelerates to stop at the torque limit.

- Set d5-01 to 0 when switching between Torque Control and Speed Control. An oPE15 alarm will be triggered if parameter d5-01 is set to 1 while H1-□□ is set to 71 at the same time.

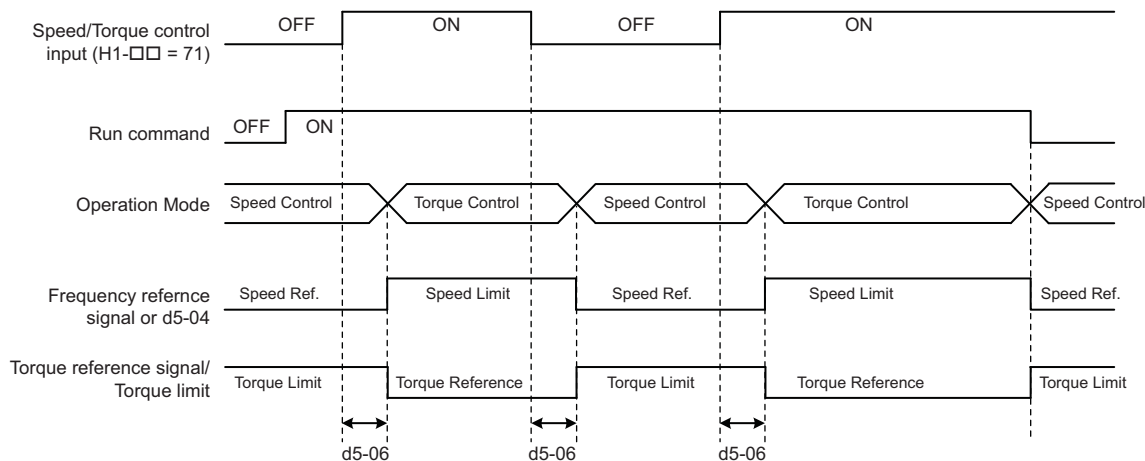


Figure 5.51 Speed/Torque Control Switching Time

■ d5-01: Torque Control Selection

| No. | Parameter Name | Setting Range | Default |
|-------|--------------------------|---------------|---------|
| d5-01 | Torque Control Selection | 0 or 1 | 0 |

Setting 0: Disabled

Speed Control will be active. Also use this setting when H1-□□ = 71 (Speed/Torque Control Switch).

Setting 1: Enabled

Torque Control is always enabled.

■ d5-02: Torque Reference Delay Time

A filter with the time constant set in parameter d5-02 can be applied to the torque reference signal in order to eliminate oscillation that results from an unstable torque reference signal. A higher filter time will stabilize control, but also reduce the responsiveness.

| No. | Parameter Name | Setting Range | Default |
|-------|-----------------------------|---------------|---------|
| d5-02 | Torque Reference Delay Time | 0 to 1000 ms | 0 ms |

■ d5-03: Speed Limit Selection

Parameter d5-03 determines how the speed limit is set.

| No. | Parameter Name | Setting Range | Default |
|-------|-----------------------|---------------|---------|
| d5-03 | Speed Limit Selection | 1 or 2 | 1 |

Setting 1: Frequency Reference Input

The frequency reference value at the active reference source (digital operator, External reference 1 or External reference 2) will be used as speed limit. Note that in this case all settings for accel/decel times (C1-01 to C1-08) and S-curves (C2-01 to C2-04) will apply for the speed limit.

Setting 2: Parameter d5-04

The speed limit is set by parameter d5-04.

■ d5-04: Speed Limit

Sets the speed limit during torque control if parameter d5-03 is set to 2. Refer to [Speed Limitation and Speed Limit Bias on page 190](#).

| No. | Parameter Name | Setting Range | Default |
|-------|----------------|---------------|---------|
| d5-04 | Speed Limit | -120 to 120% | 0% |

5.4 d: Reference Settings

■ d5-05: Speed Limit Bias

Using d5-05 a bias can be applied to the speed limit value. The bias is set as a percentage of the maximum output frequency. Refer to *Speed Limitation and Speed Limit Bias on page 190*.

| No. | Parameter Name | Setting Range | Default |
|-------|------------------|---------------|---------|
| d5-05 | Speed Limit Bias | 0 to 120% | 10% |

■ d5-06: Speed/Torque Control Switchover Time

Sets the delay time for switching from Speed Control to Torque Control and vice versa.

| No. | Parameter Name | Setting Range | Default |
|-------|--------------------------------------|---------------|---------|
| d5-06 | Speed/Torque Control Switchover Time | 0 to 1000 ms | 0 ms |

■ d5-08: Unidirectional Speed Limit Bias

Parameter d5-08 selects how the speed limit bias is applied.

| No. | Parameter Name | Setting Range | Default |
|-------|---------------------------------|---------------|---------|
| d5-08 | Unidirectional Speed Limit Bias | 0 or 1 | 1 |

Setting 0: Disabled

The speed limit bias is applied in both directions, the speed limit and the opposite direction.

Setting 1: Enabled

The speed limit bias is applied in the opposite direction of the speed limit only.

◆ d6: Field Weakening and Field Forcing

Field Weakening

The Field Weakening function reduces the output voltage to a pre-defined level in order to reduce the energy consumption of the motor. It can be activated using a digital input programmed for H1-□□ = 63. Field Weakening should only be used with a known and unchanging light load condition. Use the Energy Saving function (b8-□□ parameters) when Energy Saving for various different load conditions is required.

Field Forcing

The Field Forcing function compensates the delaying influence of the motor time constant when changing the excitation current reference. Field Forcing can improve the motor responsiveness. It is ineffective during DC Injection Braking.

■ d6-01: Field Weakening Level

Sets the level to what the output voltage is reduced when Field Weakening is activated. Set as percentage of the maximum output voltage.

| No. | Parameter Name | Setting Range | Default |
|-------|-----------------------|---------------|---------|
| d6-01 | Field Weakening Level | 0 to 100% | 80% |

■ d6-02: Field Weakening Frequency Limit

Sets the minimum output frequency for that field weakening can be activated. For frequencies below d6-02, Field Weakening cannot be activated.

| No. | Parameter Name | Setting Range | Default |
|-------|---------------------------------|---------------|---------|
| d6-02 | Field Weakening Frequency Limit | 0 to 400.0 Hz | 0.0 Hz |

■ d6-03: Field Forcing Selection

Enables or disables the Field Forcing function.

| No. | Parameter Name | Setting Range | Default |
|-------|-------------------------|---------------|---------|
| d6-03 | Field Forcing Selection | 0 or 1 | 0 |

Setting 0: Disabled

Setting 1: Enabled

■ d6-06: Field Forcing Limit

Sets the maximum level to what the Field Forcing function can boost the excitation current reference. The value is set as a percentage of the motor no load current.

| No. | Parameter Name | Setting Range | Default |
|-------|---------------------|---------------|---------|
| d6-06 | Field Forcing Limit | 100 to 400% | 400% |

Note: Adjustment is not normally required.

◆ d7: Offset Frequency

■ d7-01 to d7-03: Offset Frequency 1 to 3

Three different offset values can be added to the frequency reference. They can be selected using digital inputs programmed for Offset frequency 1, 2, and 3 (H1-□□ = 44, 45, 46). The selected offset values are added together if multiple inputs are closed at the same time.

Note: This function can be used to replace the “Trim Control” function (H1-□□ = 1C, 1D) of earlier Yaskawa drives.

| No. | Parameter Name | Setting Range | Default |
|-------|--------------------|------------------|---------|
| d7-01 | Offset Frequency 1 | -100.0 to 100.0% | 0% |
| d7-02 | Offset Frequency 2 | -100.0 to 100.0% | 0% |
| d7-03 | Offset Frequency 3 | -100.0 to 100.0% | 0% |

Figure 5.52 illustrates the Offset frequency function.

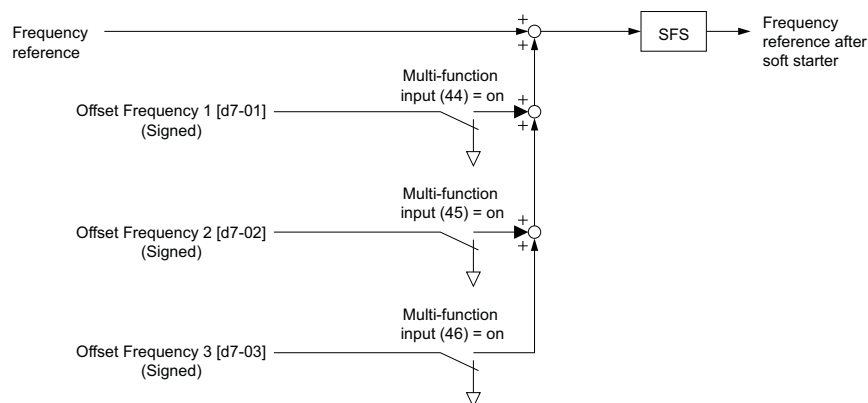


Figure 5.52 Offset Frequency Operation

5.5 E: Motor Parameters

E parameters cover V/f pattern and motor data settings.

◆ E1: V/f Pattern for Motor 1

■ E1-01: Input Voltage Setting

Set the input voltage parameter to the nominal voltage of the AC power supply. This parameter adjusts the levels of some protective features of the drive (overvoltage, Stall Prevention, etc.).

NOTICE: Set parameter E1-01 to match the input voltage of the drive. Drive input voltage (not motor voltage) must be set in E1-01 for the protective features to function properly. Failure to set the correct drive input voltage will result in improper drive operation.

| No. | Parameter Name | Setting Range | Default |
|-----------|-----------------------|---------------|---------|
| E1-01 <1> | Input Voltage Setting | 155 to 255 V | 200 V |

<1> The setting range and default value shown here are for 200 V class drives. Double this for 400 V class units.

E1-01 Related Values

The input voltage setting determines the undervoltage detection level as well as DC bus levels used by the KEB function and the overvoltage suppression function.

| Voltage | Setting Value of E1-01 | (Approximate Values) | | |
|-------------|------------------------|----------------------------|---|---|
| | | Uv Detection Level (L2-05) | Desired DC Bus Voltage during KEB (L2-11) | ov Suppression / Stall Prevention Level (L3-17) |
| 200 V Class | All settings | 190 V | 260 V | 375 V |
| 400 V Class | setting ≥ 400 V | 380 V | 500 V | 750 V |
| | setting < 400 V | 350 V | 460 V | 750 V |

Note: The braking transistor operation levels are valid for the drive internal braking transistor. If an external CDBR braking chopper is used, refer to the instruction manual of that unit.

■ V/f Pattern Settings (E1-03)

The drive uses the V/f pattern that has been set to adjust the output voltage relative to the frequency reference. There are 15 different preset V/f patterns (setting 0 to E) to select from, each with varying voltage profiles, saturation levels (frequency at which maximum voltage is reached), and maximum frequencies. Additionally, one custom V/f pattern is available (setting F). The custom V/f pattern requires the user to create the pattern using parameters E1-04 through E1-10.

■ E1-03: V/f Pattern Selection

The user can select the V/f pattern for the drive and motor from 15 predefined patterns, or create a custom V/f pattern.

| No. | Parameter Name | Setting Range | Default |
|-------|-----------------------|---------------|---------|
| E1-03 | V/f Pattern Selection | 0 to F <1> | F <2> |

<1> Parameter setting value is not reset to the default value during drive initialization (A1-03).

<2> Settings 0 through E are not available when using any of the vector control modes.

Setting a Predefined V/f Pattern (Setting 0 to E)

Choose the V/f pattern that best meets the application demands from the table below. These settings are available only in V/f Control modes. Set the correct value to E1-03. Parameters E1-04 to E1-13 can only be monitored, not changed.

- Note:**
1. Setting an improper V/f pattern may result in low motor torque or increased current due to overexcitation.
 2. Parameter E1-03 is not reset when the drive is initialized.

Table 5.21 Predefined V/f Patterns

| Setting | Specification | Characteristic | Application |
|---------|-------------------------|-----------------|---|
| 0 | 50 Hz | Constant torque | For general purpose applications. Torque remains constant regardless of changes to speed. |
| 1 | 60 Hz | | |
| 2 | 60 Hz (with 50 Hz base) | | |
| 3 | 72 Hz (with 60 Hz base) | | |

| Setting | Specification | Characteristic | Application |
|---------|-----------------------------|----------------------|---|
| 4 | 50 Hz, Heavy Duty 2 | Derated torque | For fans, pumps, and other applications that require torque derating relative to the load. |
| 5 | 50 Hz, Heavy Duty 1 | | |
| 6 | 50 Hz, Heavy Duty 1 | | |
| 7 | 50 Hz, Heavy Duty 2 | | |
| 8 | 50 Hz, mid starting torque | High starting torque | Select high starting torque when: <ul style="list-style-type: none"> • Wiring between the drive and motor exceeds 150 m • A large amount of starting torque is required • An AC reactor is installed |
| 9 | 50 Hz, high starting torque | | |
| A | 60 Hz, mid starting torque | | |
| B | 60 Hz, high starting torque | Constant output | Output voltage is constant when operating at greater than 60 Hz. |
| C | 90 Hz (with 60 Hz base) | | |
| D | 120 Hz (with 60 Hz base) | | |
| E | 180 Hz (with 60 Hz base) | | |

The following tables show details on predefined V/f patterns.

The following graphs are for 200 V class drives. Double the values when using a 400 V class drive.

Predefined V/f Patterns for models CIMR-A□2A0004 to 0021 and CIMR-A□4A0002 to 0011

Table 5.22 Constant Torque Characteristics, Settings 0 to 3

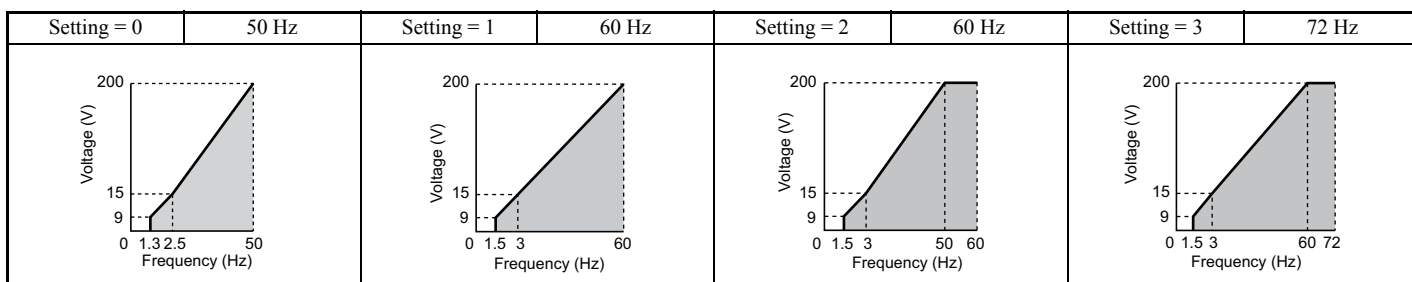


Table 5.23 Derated Torque Characteristics, Settings 4 to 7

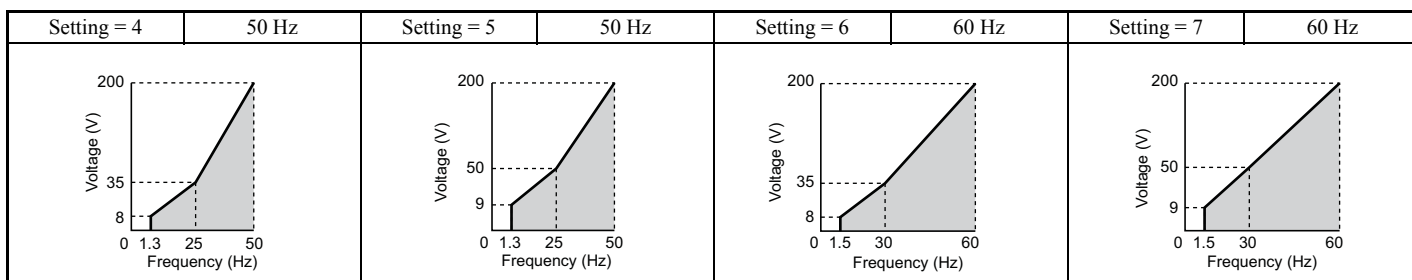


Table 5.24 High Starting Torque, Settings 8 to B

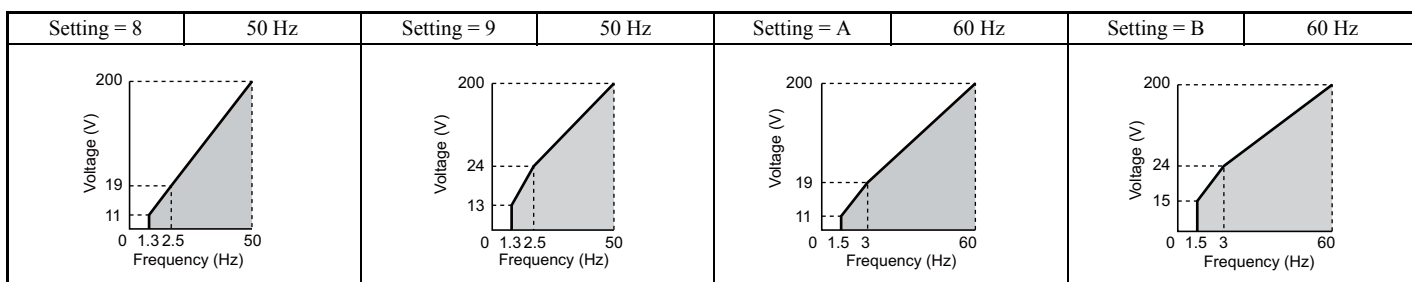
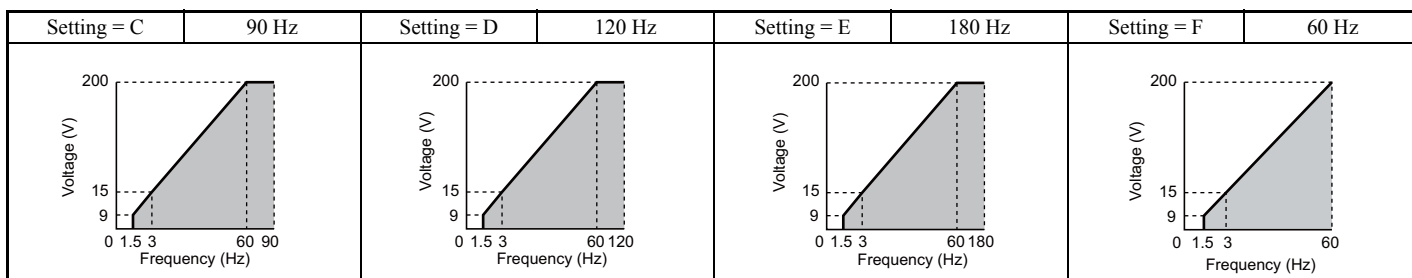


Table 5.25 Rated Output Operation, Settings C to F



5.5 E: Motor Parameters

Predefined V/f Patterns for Models CIMR-A□2A0030 to 0211 and CIMR-A□4A0018 to 0103

The following graphs are for 200 V class drives. Double values when using a 400 V class drive.

Table 5.26 Rated Torque Characteristics, Settings 0 to 3

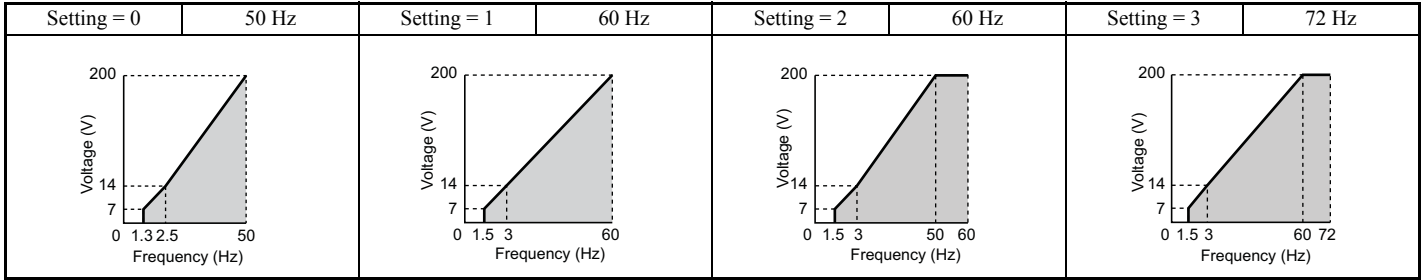


Table 5.27 Derated Torque Characteristics, Settings 4 to 7

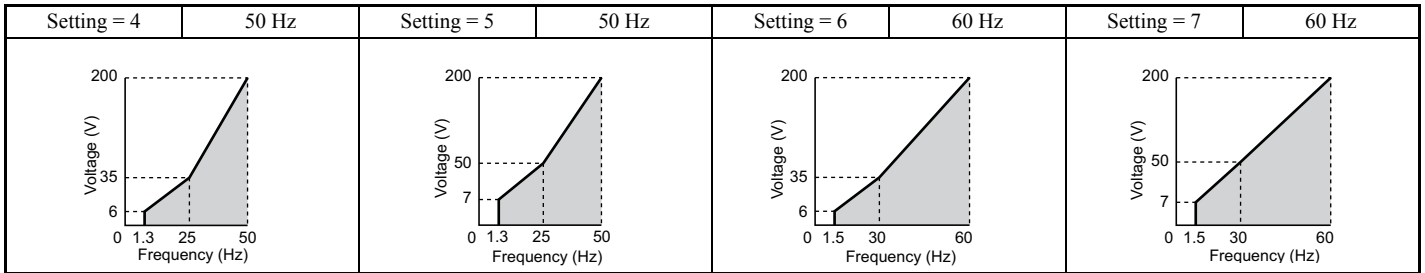


Table 5.28 High Starting Torque, Settings 8 to B

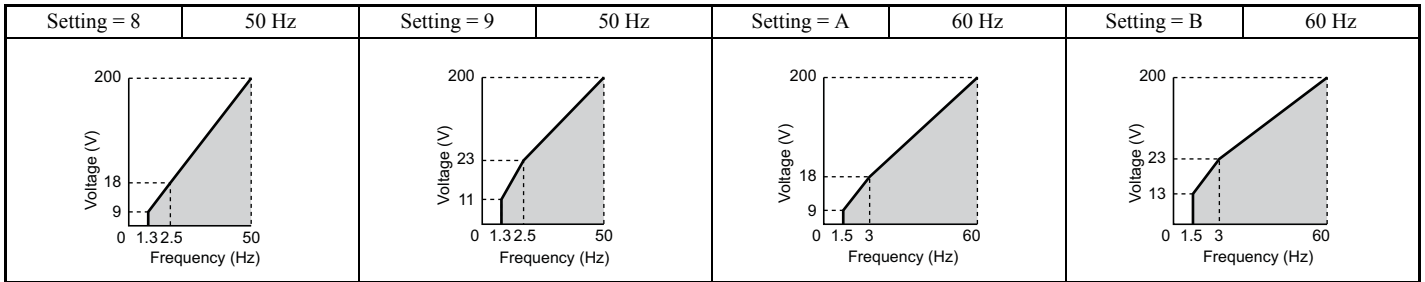
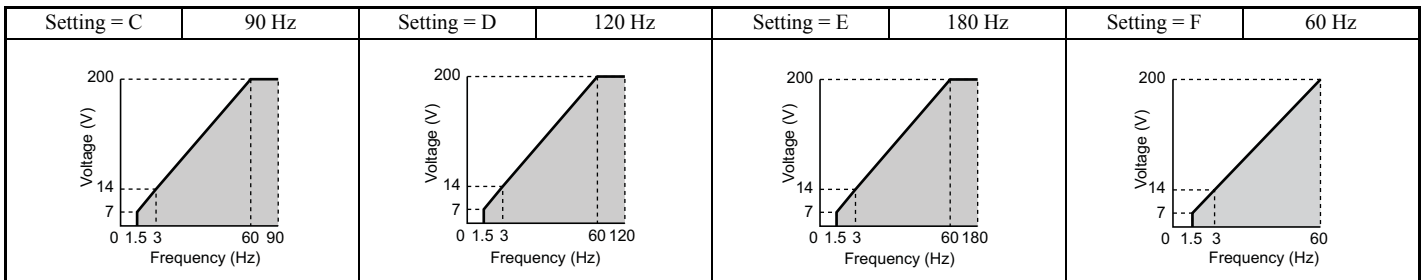


Table 5.29 Constant Output, Settings C to F



Predefined V/f Patterns for Models CIMR-A□2A0250 to 0415 and CIMR-A□4A0139 to 0675

The following graphs are for 200 V class drives. Double values when using a 400 V class drive.

Table 5.30 Rated Torque Characteristics, Settings 0 to 3

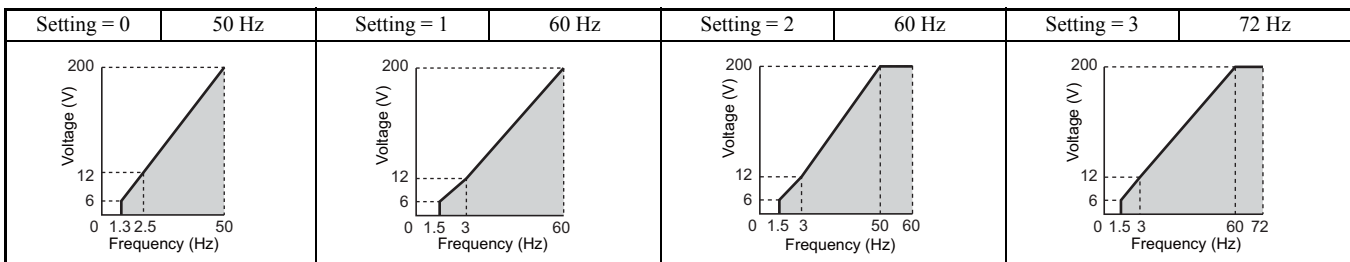


Table 5.31 Derated Torque Characteristics, Settings 4 to 7

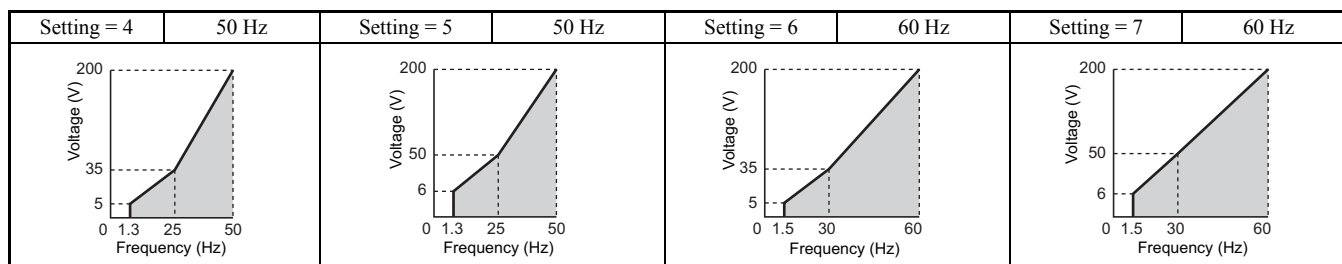


Table 5.32 High Starting Torque, Settings 8 to B

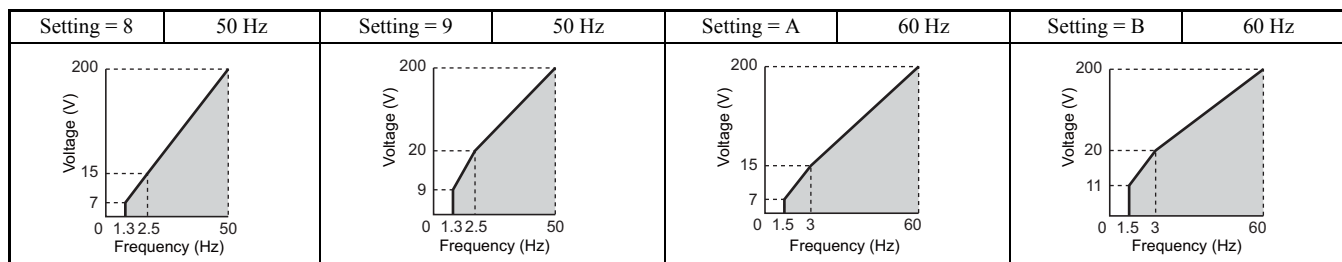
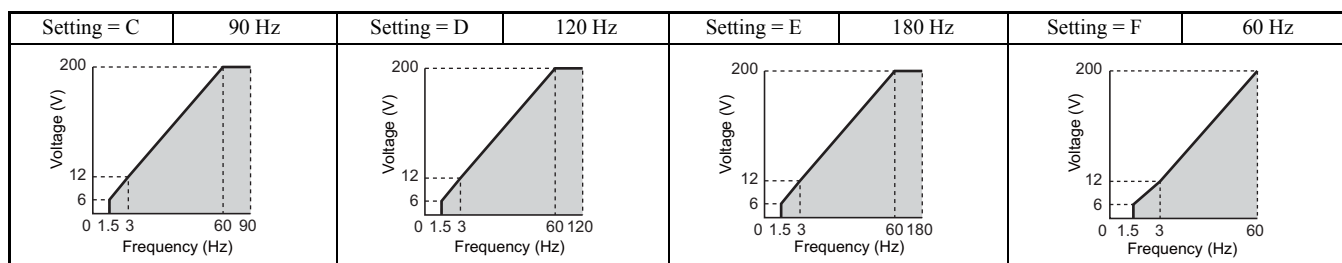


Table 5.33 Constant Output, Settings C to F



Setting a Custom V/f Pattern (Setting F: Default)

Setting parameter E1-03 to F allows to set up a custom V/f pattern by changing parameters E1-04 to E1-13.

When initialized, the default values for parameters E1-04 to E1-13 will be equal to V/f pattern 0 of the predefined patterns.

■ V/f Pattern Settings E1-04 to E1-13

If E1-03 is set to a preset V/f pattern (i.e., set to any value besides F), then the user can refer to parameters E1-04 through E1-13 to monitor the V/f pattern. To create a new V/f pattern, set E1-03 to F. Refer to *Figure 5.53* for an example custom V/f pattern.

Note: Certain E1-□□ parameters might not be visible depending on the selected control mode. *Refer to Parameter Table on page 400* for details.

| No. | Parameter Name | Setting Range | Default |
|-------|-----------------------------------|--------------------|-------------------|
| E1-04 | Maximum Output Frequency | 40.0 to 400.0 Hz | <1> <2> |
| E1-05 | Maximum Voltage | 0.0 to 255.0 V <3> | <1> <3> |
| E1-06 | Base Frequency | 0.0 to [E1-04] | <1> <2> |
| E1-07 | Middle Output Frequency | 0.0 to [E1-04] | <1> |
| E1-08 | Middle Output Frequency Voltage | 0.0 to 255.0 V <3> | <1> <3> |
| E1-09 | Minimum Output Frequency | 0.0 to [E1-04] | <1> <2> |
| E1-10 | Minimum Output Frequency Voltage | 0.0 to 255.0 V <3> | <1> <3> |
| E1-11 | Middle Output Frequency 2 | 0.0 to [E1-04] | 0.0 Hz <5> |
| E1-12 | Middle Output Frequency Voltage 2 | 0.0 to 255.0 V <3> | 0.0 V <3> <4> <5> |
| E1-13 | Base Voltage | 0.0 to 255.0 V <3> | 0.0 V <3> <4> |

<1> Default setting is determined by the control mode.
 <2> When using PM motors, the default setting is determined by the motor code set to E5-01.
 <3> Values shown here are for 200 V class drives. Double values when using a 400 V class unit.
 <4> The drive changes these settings when Auto-Tuning is performed (Rotational Auto-Tuning, Stationary Auto-Tuning 1, 2).
 <5> Parameter ignored when E1-11 and E1-12 are set to 0.0.

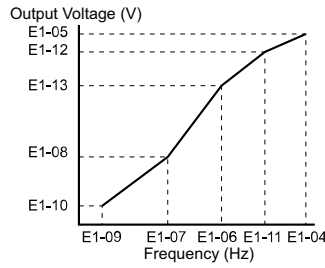


Figure 5.53 V/f Pattern

- Note:**
1. The following condition must be true when setting up the V/f pattern: $E1-09 \leq E1-07 < E1-06 \leq E1-11 \leq E1-04$
 2. To make the V/f pattern a straight line below E1-06, set $E1-09 = E1-07$. In this case the E1-08 setting is disregarded.
 3. E1-03 is unaffected when the parameters are initialized using parameter A1-03, but the settings for E1-04 through E1-13 are returned to their default values.
 4. Parameters E1-11, E1-12, and E1-13 should only be used to fine-tune the V/f pattern in the constant output range. These parameters rarely need to be changed.

◆ E2: Motor 1 Parameters

These parameters contain the motor data needed for motor 1. They are set automatically when Auto-Tuning is performed (this includes Rotational Auto-Tuning, Stationary Auto-Tuning 1 and 2). If Auto-Tuning cannot be performed, then manually enter the motor data directly to these parameters.

Note: As the motor parameters for a PM motor are set up in the E5-□□ parameters, parameters for induction motors (E2-□□) are hidden when a PM motor control mode is selected for motor 1 (i.e., parameter A1-02 is set to 5, 6, or 7).

■ E2-01: Motor Rated Current

Set E2-01 to the full load amps (FLA) stamped on the motor nameplate. This value is used for motor protection and to calculate torque limits. If Auto-Tuning completes successfully, the value entered to T1-04 will automatically be saved to E2-01.

| No. | Parameter Name | Setting Range | Default |
|-------|---------------------|---|-------------------------------|
| E2-01 | Motor Rated Current | 10% to 200% of the drive rated current. | Determined by C6-01 and o2-04 |

Note: This value's number of decimal places depends on the drive model and the Heavy/Normal duty selection in parameter C6-01. The value will have two decimal places (0.01 A) if the drive is set for a Maximum Applicable Motor Capacity up to 11 kW (refer to [Table A.2](#) and [Table A.3](#)) and one decimal place (0.1 A) if the set Maximum Applicable Motor Capacity is higher than 11 kW.

Note: If the motor rated current in E2-01 is set lower than the motor no-load current in E2-03, then a parameter setting error will occur (oPE02). E2-03 must be set correctly to prevent this error.

■ E2-02: Motor Rated Slip

Sets the motor rated slip in Hz. The setting in E2-02 is used for motor protection and to calculate torque limits. This value is automatically set during Auto-Tuning (Rotational Auto-Tuning, Stationary Auto-Tuning 1 and 2).

| No. | Parameter Name | Setting Range | Default |
|-------|------------------|------------------|-------------------------------|
| E2-02 | Motor Rated Slip | 0.00 to 20.00 Hz | Determined by C6-01 and o2-04 |

If Auto-Tuning cannot be performed, calculate the motor rated slip using the information written on the motor nameplate and the formula below:

$$E2-02 = f - (n \times p) / 120$$

(f: rated frequency (Hz), n: rated motor speed (r/min), p: number of motor poles)

■ E2-03: Motor No-Load Current

Set the no-load current for the motor in amperes when operating at the rated frequency and the no-load voltage. The drive sets E2-03 during the Auto-Tuning process (Rotational Auto-Tuning and Stationary Auto-Tuning 1, 2). The motor no-load current listed in the motor test report can also be entered to E2-03 manually. Contact the motor manufacturer to receive a copy of the motor test report.

| No. | Parameter Name | Setting Range | Default |
|-------|-----------------------|--------------------------------|----------------------------------|
| E2-03 | Motor No-Load Current | 0 to [E2-01] (unit: 0.01 A) | Determined by C6-01 and o2-04 |

Note: This value's number of decimal places depends on the drive model and the Heavy/Normal duty selection in parameter C6-01. The value will have two decimal places (0.01 A) if the drive is set for a Maximum Applicable Motor Capacity up to 11 kW (refer to [Table A.2](#) and [Table A.3](#)) and one decimal place (0.1 A) if the set Maximum Applicable Motor Capacity is higher than 11 kW

■ E2-04: Number of Motor Poles

Set the number of motor poles to E2-04. If Auto-Tuning completes successfully, the value entered to T1-06 will automatically be saved to E2-04.

| No. | Parameter Name | Setting Range | Default |
|-------|-----------------------|---------------|---------|
| E2-04 | Number of Motor Poles | 2 to 48 | 4 |

■ E2-05: Motor Line-to-Line Resistance

Sets the line-to-line resistance of the motor stator winding. If Auto-Tuning completes successfully, this value is automatically calculated. Remember that this value must be entered as line-to-line and not for each motor phase.

If Auto-Tuning is not possible, then contact the motor manufacturer to find out the line-to-line resistance or measure it manually. When using the manufacturer motor test report, calculate E2-05 by the formulas below.

- E-type insulation: Multiply 0.92 times the resistance value (Ω) listed on the test report at 75°C
- B-type insulation: Multiply 0.92 times the resistance value (Ω) listed on the test report at 75°C.
- F-type insulation: Multiply 0.87 times the resistance value (Ω) listed on the test report at 115°C.

| No. | Parameter Name | Setting Range | Default |
|-------|-------------------------------|--------------------------|----------------------------------|
| E2-05 | Motor Line-to-Line Resistance | 0.000 to 65.000 Ω | Determined by C6-01 and o2-04 |

■ E2-06: Motor Leakage Inductance

Sets the voltage drop due to motor leakage inductance as a percentage of motor rated voltage. This value is automatically set during Auto-Tuning (Rotational Auto-Tuning, Stationary Auto-Tuning 1, 2).

| No. | Parameter Name | Setting Range | Default |
|-------|--------------------------|---------------|----------------------------------|
| E2-06 | Motor Leakage Inductance | 0.0 to 40.0% | Determined by C6-01 and o2-04 |

■ E2-07: Motor Iron-Core Saturation Coefficient 1

Sets the motor iron saturation coefficient at 50% of the magnetic flux. If Rotational Auto-Tuning completes successfully, then this value is automatically calculated and set to E2-07. This coefficient is used when operating with constant output.

| No. | Parameter Name | Setting Range | Default |
|-------|--|---------------|---------|
| E2-07 | Motor Iron-Core Saturation Coefficient 1 | 0.00 to 0.50 | 0.50 |

■ E2-08: Motor Iron-Core Saturation Coefficient 2

Sets the motor iron saturation coefficient at 75% of the magnetic flux. If Rotational Auto-Tuning completes successfully, then this value is automatically and set to E2-08. This coefficient is used when operating with constant output.

| No. | Parameter Name | Setting Range | Default |
|-------|--|---------------|---------|
| E2-08 | Motor Iron-Core Saturation Coefficient 2 | E2-07 to 0.75 | 0.75 |

5.5 E: Motor Parameters

■ E2-09: Motor Mechanical Loss

This parameter sets to the motor mechanical loss as a percentage of motor rated power (kW) capacity.

Adjust this setting in the following circumstances:

- When there is a large amount of torque loss due to motor bearing friction.
- When there is a large amount of torque loss in a fan or pump application.

The setting for the mechanical loss is added to the torque.

| No. | Parameter Name | Setting Range | Default |
|-------|-----------------------|---------------|---------|
| E2-09 | Motor Mechanical Loss | 0.0 to 10.0% | 0.0% |

■ E2-10: Motor Iron Loss for Torque Compensation

This parameter sets the motor iron loss in watts.

| No. | Parameter Name | Setting Range | Default |
|-------|---|---------------|-------------------------------|
| E2-10 | Motor Iron Loss for Torque Compensation | 0 to 65535 W | Determined by C6-01 and o2-04 |

■ E2-11: Motor Rated Power

This parameter sets the motor rated power in kW. If Auto-Tuning completes successfully, the value entered to T1-02 will automatically be saved to E2-11.

| No. | Parameter Name | Setting Range | Default |
|-------|-------------------|-------------------|---------------------|
| E2-11 | Motor Rated Power | 0.00 to 650.00 kW | Determined by o2-04 |

■ Setting Motor Parameters Manually

Follow the instructions below when setting motor-related parameters manually instead of using the Auto-Tuning feature. Refer to the motor test report included with the motor to make sure the correct data is entered into the drive.

Setting the Motor Rated Current

Enter the motor rated current listed on the nameplate of the motor to E2-01.

Setting the Motor Rated Slip

Use the base speed listed on the motor nameplate to calculate the rated slip. Refer to the formula below, then enter that value to E2-02.

$$\text{Motor rated slip} = \text{rated frequency [Hz]} - \text{base speed [r/min]} \times (\text{no. of motor poles}) / 120$$

Setting the No-Load Current

Enter the no-load current at rated frequency and rated voltage to E2-03. The no-load current is not usually listed on the nameplate. Contact the motor manufacturer if the data cannot be found.

The default setting of the no-load current is for performance with a 4-pole Yaskawa motor.

Setting the Number of Motor Poles

Only required in V/f Control with PG and Closed Loop Vector Control. Enter the number of motor poles as indicated on motor nameplate.

Setting the Line-to-Line Resistance

E2-05 is normally set during Auto-Tuning. If Auto-Tuning cannot be performed, contact the manufacturer of the motor to find out what the correct resistance is between motor lines. The motor test report can also be used to calculate this value:

- E-type insulation: Multiply 0.92 times the resistance value (Ω) listed on the test report at 75°C.
- B-type insulation: Multiply 0.92 times the resistance value (Ω) listed on the test report at 75°C.
- F-type insulation: Multiply 0.87 times the resistance value (Ω) listed on the test report at 115°C.

Setting the Motor Leakage Inductance

The motor leakage inductance set to E2-06 determines the amount of voltage drop relative to the motor rated voltage. This value should be entered particularly for motors with a low degree of inductance, such as high-speed motors. As this

information is not listed on the motor nameplate, contact the motor manufacturer to find out the correct value for the motor leakage inductance.

Setting the Motor Iron-Core Saturation Coefficient 1, 2

E2-07 and E2-08 are set when Auto-Tuning is performed.

Setting the Motor Mechanical Loss

The drive only requires this information when using Closed Loop Vector Control. The drive compensates for the degree of mechanical loss with torque compensation. Although E2-09 rarely needs to be changed, adjustment may benefit the following circumstances:

- When there is a large amount of torque loss due to motor bearing friction.
- When there is a large amount of torque loss in a fan or pump application.

Setting the Motor Iron Loss for Torque Compensation

This value only needs to be set when using V/f Control. Enter this value in watts to E2-10. The drive uses this setting to improve the precision of torque compensation.

◆ E3: V/f Pattern for Motor 2

These parameters set the V/f pattern used for motor 2. *Refer to Setting 16: Motor 2 selection on page 219* for details on switching motors.

Note: As the function for switching between two motors cannot be used with a PM motor, the E3-□□ parameters will be hidden when a PM motor control mode is selected (A1-02 = 5, 6, or 7).

■ E3-01: Motor 2 Control Mode Selection

Selects the control mode for motor 2. A control mode for PM motors cannot be selected for motor 2.

| No. | Parameter Name | Setting Range | Default |
|-------|--------------------------------|---------------|---------|
| E3-01 | Motor 2 Control Mode Selection | 0 to 3 | 0 |

Setting 0: V/f Control

Setting 1: V/f Control with PG

Setting 2: Open Loop Vector Control

Setting 3: Closed Loop Vector Control

Note: Protection from motor overload (oL1) is determined by L1-01, just as it is for motor 1.

■ E3-04 to E3-13

Parameters E3-04 through E3-13 set up the V/f pattern used for motor 2 as shown in *Figure 5.54*.

Note: Certain E3-□□ parameters might not be visible depending on the control mode. *Refer to Parameter Table on page 400*.

| No. | Parameter Name | Setting Range | Default |
|-------|--|------------------|-------------------|
| E3-04 | Motor 2 Max Output Frequency | 40.0 to 400.0 Hz | <2> |
| E3-05 | Motor 2 Max Voltage | 0.0 to 255.0 <1> | <1> <2> |
| E3-06 | Motor 2 Base Frequency | 0.0 to [E3-04] | <2> |
| E3-07 | Motor 2 Mid Output Frequency | 0.0 to [E3-04] | <2> |
| E3-08 | Motor 2 Mid Output Frequency Voltage | 0.0 to 255.0 <1> | <1> <2> |
| E3-09 | Motor 2 Minimum Output Frequency | 0.0 to [E3-04] | <2> |
| E3-10 | Motor 2 Minimum Output Frequency Voltage | 0.0 to 255.0 <1> | <1> <2> |
| E3-11 | Motor 2 Mid Output Frequency 2 | 0.0 to [E3-04] | 0.0 Hz <4> |
| E3-12 | Motor 2 Mid Output Frequency Voltage 2 | 0.0 to 255.0 <1> | 0.0 V <1> <3> <4> |
| E3-13 | Motor 2 Base Voltage | 0.0 to 255.0 <1> | 0.0 V <1> <3> |

<1> Values shown here are for 200 V class drives. Double the value when using a 400 V class drive.

<2> Default setting is determined by the control mode selected for motor 2 (E3-01).

<3> The drive sets this value when Auto-Tuning is performed (Rotational Auto-Tuning and Stationary Auto-Tuning 1, 2).

<4> Parameter ignored when E3-11 and E3-12 are set to 0.0.

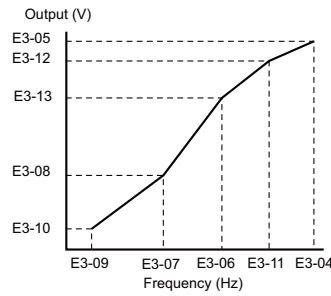


Figure 5.54 V/f Pattern for Motor 2

- Note:**
1. The following conditions must be true when setting up the V/f pattern: $E3-09 \leq E3-07 < E3-06 \leq E3-11 \leq E3-04$
 2. To make the V/f pattern a straight line at a frequency lower than E3-07, set $E3-09 = E3-07$. With this setting, E3-08 is disregarded.
 3. Parameters E3-04 through E3-13 are reset to their default values when the drive is initialized.
 4. E3-11, E3-12, and E3-13 rarely need to be changed, and should only be used to fine-tune the V/f pattern in the constant output range.

◆ E4: Motor 2 Parameters

E4 parameters contain the motor data for motor 2. These parameters are usually set automatically during the Auto-Tuning process for vector control modes (Rotational Auto-Tuning, Stationary Auto-Tuning 1 and 2). They may need to be set manually if there is a problem performing Auto-Tuning.

Note: As the function for switching between two motors cannot be used with a PM motor, the E5-□□ parameters will be hidden when a PM motor control mode is selected (A1-02 = 5, 6, or 7).

■ E4-01: Motor 2 Rated Current

Set E4-01 to the full load amps (FLA) stamped on the nameplate of motor 2. This value is used for motor protection and to calculate torque limits. If Auto-Tuning completes successfully, the value entered to T1-04 will automatically be saved to E4-01.

| No. | Parameter Name | Setting Range | Default |
|-------|-----------------------|--|-------------------------------|
| E4-01 | Motor 2 Rated Current | 10 to 200% of the drive rated current. | Determined by C6-01 and o2-04 |

- Note:**
1. This value's number of decimal places depends on the drive model and the Heavy/Normal duty selection in parameter C6-01. The value will have two decimal places (0.01 A) if the drive is set for a Maximum Applicable Motor Capacity up to 11 kW (refer to [Table A.2](#) and [Table A.3](#)) and one decimal place (0.1 A) if the set Maximum Applicable Motor Capacity is higher than 11 kW
 2. If the motor rated current in E4-01 is set lower than the motor no-load current in E4-03, then a parameter setting error will occur (oPE02). E4-03 must be set correctly to prevent this error.

■ E4-02: Motor 2 Rated Slip

This parameter sets the motor 2 rated slip frequency. Slip compensation is based on this value. The drive calculates this value automatically during Auto-Tuning (Rotational Auto-Tuning and Stationary Auto-Tuning 1, 2).

For information on calculating the motor rated slip, refer to [E2-02: Motor Rated Slip on page 198](#).

| No. | Parameter Name | Setting Range | Default |
|-------|--------------------|------------------|-------------------------------|
| E4-02 | Motor 2 Rated Slip | 0.00 to 20.00 Hz | Determined by C6-01 and o2-04 |

■ E4-03: Motor 2 Rated No-Load Current

Set the no-load current for motor 2 in amperes when operating at the rated frequency and the no-load voltage. The drive sets E2-03 during the Auto-Tuning process (Rotational Auto-Tuning and Stationary Auto-Tuning 1, 2). The motor no-load current listed in the motor test report can also be entered to E2-03 manually. Contact the motor manufacturer to receive a copy of the motor test report.

| No. | Parameter Name | Setting Range | Default |
|-------|-------------------------------|---------------|-------------------------------|
| E4-03 | Motor 2 Rated No-Load Current | 0 to [E4-01] | Determined by C6-01 and o2-04 |

- Note:** This value's number of decimal places depends on the drive model and the Heavy/Normal duty selection in parameter C6-01. The value will have two decimal places (0.01 A) if the drive is set for a Maximum Applicable Motor Capacity up to 11 kW (refer to [Table A.2](#) and [Table A.3](#)) and one decimal place (0.1 A) if the set Maximum Applicable Motor Capacity is higher than 11 kW.

■ E4-04: Motor 2 Motor Poles

Set the pole number of motor 2 to E4-04. If Auto-Tuning completes successfully, the entered value to T1-06 will be automatically saved to E4-04.

| No. | Parameter Name | Setting Range | Default |
|-------|---------------------|---------------|---------|
| E4-04 | Motor 2 Motor Poles | 2 to 48 | 4 |

■ E4-05: Motor 2 Line-to-Line Resistance

Sets the line-to-line resistance for the motor 2 stator winding. If Auto-Tuning completes successfully, this value is automatically calculated. Remember this value must be entered as line-to-line and not for each motor phase. [Refer to E2-05: Motor Line-to-Line Resistance on page 199](#) to manually enter this parameter setting.

| No. | Parameter Name | Setting Range | Default |
|-------|---------------------------------|-------------------|-------------------------------|
| E4-05 | Motor 2 Line-to-Line Resistance | 0.000 to 65.000 Ω | Determined by C6-01 and o2-04 |

■ E4-06: Motor 2 Leakage Inductance

Sets the voltage drop due to motor leakage inductance as a percentage of rated voltage of motor 2. This value is automatically set during Auto-Tuning (Rotational Auto-Tuning and Stationary Auto-Tuning 1, 2).

| No. | Parameter Name | Setting Range | Default |
|-------|----------------------------|---------------|-------------------------------|
| E4-06 | Motor 2 Leakage Inductance | 0.0 to 40.0% | Determined by C6-01 and o2-04 |

■ E4-07: Motor 2 Motor Iron-Core Saturation Coefficient 1

Sets the motor 2 iron saturation coefficient at 50% of magnetic flux. This value is automatically set during Rotational Auto-Tuning. Adjust this parameter when operating in the constant output range.

| No. | Parameter Name | Setting Range | Default |
|-------|--|---------------|---------|
| E4-07 | Motor 2 Motor Iron-Core Saturation Coefficient 1 | 0.00 to 0.50 | 0.50 |

■ E4-08: Motor 2 Motor Iron-Core Saturation Coefficient 2

Sets the motor iron saturation coefficient at 75% of magnetic flux. This value is automatically set during Rotational Auto-Tuning. Adjust this parameter when operating in the constant output range.

| No. | Parameter Name | Setting Range | Default |
|-------|--|-----------------|---------|
| E4-08 | Motor 2 Motor Iron-Core Saturation Coefficient 2 | [E4-07] to 0.75 | 0.75 |

■ E4-09: Motor 2 Mechanical Loss

Sets the motor mechanical loss as a percentage of motor rated power (kW).

This parameter seldom needs to be changed, but may need to be adjusted in the following circumstances:

- When there is a large amount of torque loss due to motor bearing friction.
- When there is a large amount of torque loss in a fan or pump application.

The setting for the mechanical loss is added to the torque.

| No. | Parameter Name | Setting Range | Default |
|-------|-------------------------|---------------|---------|
| E4-09 | Motor 2 Mechanical Loss | 0.0 to 10.0% | 0.0% |

■ E4-10: Motor 2 Iron Loss

Sets the motor 2 iron loss in watts.

| No. | Parameter Name | Setting Range | Default |
|-------|-------------------|---------------|-------------------------------|
| E4-10 | Motor 2 Iron Loss | 0 to 65535 W | Determined by C6-01 and o2-04 |

5.5 E: Motor Parameters

■ E4-11: Motor 2 Rated Power

Sets the motor 2 rated power. If Auto-Tuning completes successfully, the value entered to T1-02 will automatically be saved to E4-11.

| No. | Parameter Name | Setting Range | Default |
|-------|---------------------|-------------------|---------------------|
| E4-11 | Motor 2 Rated Power | 0.00 to 650.00 kW | Determined by o2-04 |

◆ E5: PM Motor Settings

These parameters set the motor data of a PM motor.

When Yaskawa motors are used, entering the motor code written on the motor nameplate will set up the E5-□□ parameters.

For all other PM motors, Auto-Tuning can be performed. If motor data is known, it can also be entered manually.

- Note:**
1. E5-□□ parameters are visible only when a PM motor control mode is selected (A1-02 = 5, 6, or 7).
 2. E5-□□ parameters are not reset when the drive is initialized using parameter A1-03.

■ E5-01: Motor Code Selection

When Yaskawa motors are used, set the motor code for the PM motor being used. Depending on the motor code entered, the drive automatically sets several parameters to appropriate values. *Refer to Parameters that Change with the Motor Code Selection on page 463* for details on the supported motor codes and their parameter settings.

Setting parameter E5-01 to FFFF will allow to set the motor data manually using the E5-□□ parameters.

| No. | Parameter Name | Setting Range | Default |
|-------|----------------------|---------------|--------------------------------------|
| E5-01 | Motor Code Selection | 0000 to FFFF | Determined by A1-02, C6-01 and o2-04 |

- Note:**
1. If E5-01 was set a value besides FFFF and is then changed to FFFF, the value of parameters E5-02 through E5-24 will not change.
 2. If using a different motor other than Yaskawa's SMRA, SSR1, or SST4 series, then E5-01 should be set to FFFF.
 3. The default setting is below:
 - OLV/PM, AOLV/PM: Yaskawa SSR1 Series (1750 r/min)
 - CLV/PM: Yaskawa SSR4 Series (1750 r/min)

■ E5-02: Motor Rated Power

Sets the rated power of the motor. Determined by the value set to T2-04 during Stationary Auto-Tuning for PM motors or by entering the motor code to E5-01.

| No. | Parameter Name | Setting Range | Default |
|-------|-------------------|-------------------|---------------------|
| E5-02 | Motor Rated Power | 0.10 to 650.00 kW | Determined by E5-01 |

■ E5-03: Motor Rated Current

Sets the motor rated current in amps. This parameter is automatically set when the value is entered to T2-06 during the Auto-Tuning process.

| No. | Parameter Name | Setting Range | Default |
|-------|---------------------|-----------------------------------|---------------------|
| E5-03 | Motor Rated Current | 10 to 200% of drive rated current | Determined by E5-01 |

- Note:** This value's number of decimal places depends on the drive model and the Heavy/Normal duty selection in parameter C6-01. The value will have two decimal places (0.01 A) if the drive is set for a Maximum Applicable Motor Capacity up to 11 kW (refer to [Table A.2](#) and [Table A.3](#)) and one decimal place (0.1 A) if the set Maximum Applicable Motor Capacity is higher than 11 kW.

■ E5-04: Number of Motor Poles

Sets the number of motor poles. This parameter is automatically set when the value is entered to T2-08 during the Auto-Tuning process.

| No. | Parameter Name | Setting Range | Default |
|-------|-----------------------|---------------|---------------------|
| E5-04 | Number of Motor Poles | 2 to 48 | Determined by E5-01 |

■ E5-05: Motor Stator Resistance (r1)

Set the resistance for one motor phase. When measuring the resistance manually, make sure not to enter the line-to-line resistance into E5-05.

| No. | Parameter Name | Setting Range | Default |
|-------|-------------------------|-------------------|---------------------|
| E5-05 | Motor Stator Resistance | 0.000 to 65.000 Ω | Determined by E5-01 |

■ E5-06: Motor d-Axis Inductance (Ld)

Sets the d-axis inductance in 0.01 mH units. This parameter is set during the Auto-Tuning process.

| No. | Parameter Name | Setting Range | Default |
|-------|-------------------------|-------------------|---------------------|
| E5-06 | Motor d-Axis Inductance | 0.00 to 300.00 mH | Determined by E5-01 |

■ E5-07: Motor q-Axis Inductance (Lq)

Sets the q-axis inductance in 0.01 mH units. This parameter is set during the Auto-Tuning process.

| No. | Parameter Name | Setting Range | Default |
|-------|-------------------------|-------------------|---------------------|
| E5-07 | Motor q-Axis Inductance | 0.00 to 600.00 mH | Determined by E5-01 |

■ E5-09: Motor Induction Voltage Constant 1 (Ke)

Set the induced peak voltage per phase in units of 0.1 mV/(rad/s) [electrical angle]. Set this parameter when using an SSR1 series IPM motor with derated torque or an SST4 series IPM motor with constant torque.

When E5-01 is set to FFFF, use either E5-09 or E5-24 for setting the voltage constant. This parameter is set during Parameter Auto-Tuning for PM motors.

| No. | Parameter Name | Setting Range | Default |
|-------|------------------------------------|--------------------------|---------------------|
| E5-09 | Motor Induction Voltage Constant 1 | 0.0 to 2000.0 mV/(rad/s) | Determined by E5-01 |

Note: Ensure that E5-24 = 0 when setting parameter E5-09. An alarm will be triggered, however, if both E5-09 and E5-24 are set 0, or if neither parameter is set to 0. When E5-01 = FFFF, then E5-09 = 0.0.

■ E5-11 Encoder Z-Pulse Offset ($\Delta\theta$)

Sets the offset between the rotor magnetic axis and the Z-pulse of the encoder connected. This parameter is set during Parameter Auto-Tuning for PM motors and during Z Pulse Tuning.

| No. | Parameter Name | Setting Range | Default |
|-------|------------------------|---------------------|---------|
| E5-11 | Encoder Z-Pulse Offset | -180.0 to 180.0 deg | 0.0 deg |

■ E5-24: Motor Induction Voltage Constant 2 (Ke)

Set the induced phase-to-phase rms voltage in units of 0.1 mV/(r/min) [mechanical angle]. Set this parameter when using an SMRA Series SPM Motor.

When E5-01 is set to FFFF, use either E5-09 or E5-24 for setting the voltage constant. This parameter is set during Parameter Auto-Tuning for PM motors.

| No. | Parameter Name | Setting Range | Default |
|-------|------------------------------------|--------------------------|---------------------|
| E5-24 | Motor Induction Voltage Constant 2 | 0.0 to 6500.0 mV/(r/min) | Determined by E5-01 |

Note: Ensure that E5-09 = 0 when setting parameter E5-24. An alarm will be triggered, however, if both E5-09 and E5-24 are set 0, or if neither parameter is set to 0. When E5-01 = FFFF, then E5-09 = 0.0.

5.6 F: Option Settings

◆ F1: PG Speed Control Card Settings

Yaskawa offers two motor encoder PG option cards: PG-B3 and PG-X3. When using only one PG option card, use the CN5-C port. For two PG option cards, use ports CN5-C and CN5-B. When one of the multi-function input terminals has been programmed to act as a switch between two motors (H1-□□ = 16), then the card connected to port CN5-C is to be used for motor 1 while the card connected to CN5-B is for motor 2.

Table 5.34 lists the parameters that must be set for each option card port.

Table 5.34 Option Card Ports and Corresponding Parameters

| Port | Parameters |
|--------------------------|---|
| CN5-C and CN5-B (common) | F1-02 to F1-04, F1-08 to F1-11, F1-14 |
| CN5-C only | F1-01, F1-05, F1-06, F1-12, F1-13, F1-18 to F1-21 |
| CN5-B only | F1-31 to F1-37 |

■ F1-01, F1-31: PG 1 and PG 2 Pulses Per Revolution

Sets the number encoder number of pulses per revolution.

| No. | Parameter Name | Option Port | Setting Range | Default |
|-------|----------------------------|-------------|----------------|---------------------|
| F1-01 | PG 1 Pulses Per Revolution | CN5-C | 0 to 60000 ppr | Determined by A1-02 |
| F1-31 | PG 2 Pulses Per Revolution | CN5-B | 0 to 60000 ppr | 1024 ppr |

■ F1-02, F1-14: PG Open (PGo) Circuit Operation Selection, Detection Time

A PGo fault is triggered if the drive receives no pulse signal for longer than the time set in F1-14. The stopping method when PGo occurs should be set to parameter F1-02.

| No. | Parameter Name | Option Port | Setting Range | Default |
|-------|--|--------------|---------------|---------|
| F1-02 | Operation Selection at PG Open Circuit (PGo) | CN5-B, CN5-C | 0 to 3 | 1 |
| F1-14 | PG Open-Circuit Detection Time | CN5-B, CN5-C | 0.0 to 10.0 s | 2.0 s |

Parameter F1-02 Settings:

Setting 0: Ramp to stop (uses the deceleration time set to C1-02)

Setting 1: Coast to stop

Setting 2: Fast Stop (uses the Fast Stop time set to C1-09)

Setting 3: Alarm only

Setting 4: No alarm display

Note: Due to potential damage to motor and machinery, the “Alarm only” and “No alarm display” setting should be used only under special circumstances.

■ F1-03, F1-08, F1-09: Overspeed (oS) Operation Selection, Detection Level, Delay Time

An overspeed error (oS) is triggered when the speed feedback exceeds the value set in F1-08 for longer than the time set in F1-09. The stopping method when an overspeed fault occurs can be selected in parameter F1-03.

| No. | Parameter Name | Option Port | Setting Range | Default |
|-------|---------------------------------------|--------------|---------------|---------------------|
| F1-03 | Operation Selection at Overspeed (oS) | CN5-B, CN5-C | 0 to 3 | 1 |
| F1-08 | Overspeed Detection Level | CN5-B, CN5-C | 0 to 120% | 115% |
| F1-09 | Overspeed Detection Delay Time | CN5-B, CN5-C | 0.0 to 2.0 s | Determined by A1-02 |

Parameter F1-03 Settings:

Setting 0: Ramp to stop (uses the deceleration time set to C1-02)

Setting 1: Coast to stop

Setting 2: Fast Stop (uses the Fast Stop time set to C1-09)

Setting 3: Alarm only

Note: Due to potential damage to motor and machinery, the “Alarm only” setting should be used only under special circumstances.

■ F1-04, F1-10, F1-11: Operation at Speed Deviation (dEv), Detection Level, Delay Time

A speed deviation error (dEv) is triggered when the difference between the frequency reference and the speed feedback exceeds the value set in F1-10 for longer than the time set in F1-1. The stopping method when a speed deviation fault occurs can be selected in parameter F1-04.

| No. | Parameter Name | Option Port | Setting Range | Default |
|-------|--|--------------|---------------|---------|
| F1-04 | Operation Selection at Deviation (dEv) | CN5-B, CN5-C | 0 to 3 | 3 |
| F1-10 | Excessive Speed Deviation Detection Level | CN5-B, CN5-C | 0 to 50% | 10% |
| F1-11 | Excessive Speed Deviation Detection Delay Time | CN5-B, CN5-C | 0.0 to 10.0 s | 0.5 s |

Settings for Parameter F1-04:

Setting 0: Ramp to stop (uses the deceleration time set to C1-02)

Setting 1: Coast to stop

Setting 2: Fast Stop (uses the Fast Stop time set to C1-09)

Setting 3: Alarm only (drive continues operating while “dEv” flashes on the screen)

■ F1-05, F1-32: PG 1, PG 2 Rotation Selection

Determines the direction indicated by the pulses from the PG feedback encoder for motor 1 and motor 2.

See PG option card instruction manual for details on how to set the direction for the PG encoder and the motor.

| No. | Parameter Name | Option Port | Setting Range | Default |
|-------|-------------------------|-------------|---------------|---------------------|
| F1-05 | PG 1 Rotation Selection | CN5-C | 0, 1 | Determined by A1-02 |
| F1-32 | PG 2 Rotation Selection | CN5-B | 0, 1 | 0 |

Setting 0: A pulse leads with Forward run command.

Setting 1: B pulse leads with Forward run command.

■ F1-06, F1-35: PG 1, PG 2 Division Rate for PG Pulse Monitor

Sets the ratio between the pulse input and the pulse output of a PG option card as a three digit number, where the first digit (n) sets the numerator and the second and third digit (m) set the denominator as shown below:

$$f_{\text{Pulse Input}} = f_{\text{Pulse Output}} \cdot \frac{(1 + n)}{m}$$

Example: To have a ratio of 1/32 between the PG card pulse input and output, set F1-06 = 032.

| No. | Parameter Name | Option Port | Setting Range | Default |
|-------|---|-------------|---------------------------------|---------|
| F1-06 | PG 1 Division Rate for PG Pulse Monitor | CN5-C | 1 to 132 (1 to $\frac{1}{32}$) | 1 |
| F1-35 | PG 2 Division Rate for PG Pulse Monitor | CN5-B | 1 to 132 (1 to $\frac{1}{32}$) | 1 |

■ F1-12, F1-13, F1-33, F1-34: PG 1, PG 2 Gear Teeth 1, 2 (V/f w/PG only)

Sets the gear ratio between the motor shaft and the PG encoder. F1-12 and F1-33 set the number of gear teeth on the motor side, while F1-13 and F-34 set the number of gear teeth for the load side. The drive uses the formula below to calculate the motor speed.

$$r/\text{min} = \frac{\text{Input pulses from PG} \times 60}{\text{Pulses per Rev (F1-01/31)}} \cdot \frac{\text{Load-side PG gear teeth (F1-12/33)}}{\text{Motor-side PG gear teeth (F1-13/34)}}$$

| No. | Parameter Name | Option Port | Setting Range | Default |
|-------|-------------------|-------------|---------------|---------|
| F1-12 | PG 1 Gear Teeth 1 | CN5-C | 0 to 1000 | 0 |
| F1-13 | PG 1 Gear Teeth 2 | CN5-C | 0 to 1000 | 0 |
| F1-33 | PG 2 Gear Teeth 1 | CN5-B | 0 to 1000 | 0 |
| F1-34 | PG 2 Gear Teeth 2 | CN5-B | 0 to 1000 | 0 |

Note: A gear ratio of 1 will be used if any of these parameters is set to 0.

5.6 F: Option Settings

■ F1-18: dv3 Detection Selection (CLV/PM)

A dv3 situation is detected when the torque reference and speed reference are in opposite directions while the difference between the actual motor speed and the speed reference is greater than 30%. Parameter F1-18 sets the number of times such a situation must occur before a dv3 fault is triggered. Setting F1-18 to 0 disables dv3 detection.

| No. | Parameter Name | Option Port | Setting Range | Default |
|-------|-------------------------|--------------|---------------|---------|
| F1-18 | dv3 Detection Selection | CN5-B, CN5-C | 0 to 10 | 10 |

Note: A common cause for a dv3 fault is the incorrect setting of E5-11. Make sure the correct Z pulse offset has been entered to E5-11.

■ F1-19: dv4 Detection Selection (CLV/PM)

A dv4 fault is triggered when there is a motor speed deviation opposite to the frequency reference and larger than the number of pulses set in F1-19. Setting F1-19 to 0 disables dv4 detection.

| No. | Parameter Name | Option Port | Setting Range | Default |
|-------|-------------------------|--------------|---------------|---------|
| F1-19 | dv4 Detection Selection | CN5-B, CN5-C | 0 to 5000 | 128 |

Note: 1. A common cause for a dv4 fault is the incorrect setting of E5-11. Make sure the correct Z pulse offset is set to E5-11.
2. Set F1-19 to 0 for applications where the direction of the load is the opposite of the speed reference.

■ F1-20, F1-36: PG Option Card Disconnect Detection

Sets whether the drive detects a fault or not when a PG-X3 card is disconnected.

| No. | Parameter Name | Option Port | Setting Range | Default |
|-------|--|-------------|---------------|---------|
| F1-20 | PG Option Card Disconnection Detection 1 | CN5-C | 0, 1 | 1 |
| F1-36 | PG Option Card Disconnection Detection 2 | CN5-B | 0, 1 | 1 |

Setting 0: Disabled

Setting 1: Enabled

■ F1-21, F1-37: PG 1, PG 2 Signal Selection (V/f w/PG only)

Determines whether the signal to the PG option card is single track or two track.

| No. | Parameter Name | Option Port | Setting Range | Default |
|-------|-----------------------|-------------|---------------|---------|
| F1-21 | PG 1 Signal Selection | CN5-C | 0, 1 | 0 |
| F1-37 | PG 2 Signal Selection | CN5-B | 0, 1 | 0 |

Setting 0: Single track (A track only)

Setting 1: Two track (tracks A and B)

■ F1-30: PG Option Card Port for Motor 2 Selection

Specifies the drive port for the PG option card used for motor 2. This parameter should be set when switching between motor 1 and motor 2, where both motors supply a speed feedback signal to the drive. If the same PG card is being used for feedback signals from both motors, then set F1-30 to 0. If each motor has its own PG card connected to the drive, then set F1-30 to 1.

Note: The motor 2 selection function cannot be used when PM motor is used.

| No. | Parameter Name | Setting Range | Default |
|-------|---|---------------|---------|
| F1-30 | PG Option Card Port for Motor 2 Selection | 0, 1 | 1 |

Setting 0: CN5-C

Setting 1: CN5-B

◆ F2: Analog Input Card Settings

These parameters are used to setup the drive for operation with the analog input option card AI-A3. This section describes parameters that govern operation with an input option card. Refer to the instruction manual packaged with the option card for specific details on installation, wiring, input signal level selection, and parameter setup.

■ F2-01: Analog Input Option Card Operation Selection

Determines how the input terminals on the AI-A3 option card are to be used.

| No. | Parameter Name | Setting Range | Default |
|-------|--|---------------|---------|
| F2-01 | Analog Input Option Card Operation Selection | 0, 1 | 0 |

Setting 0: Separate functions for each terminal (V1, V2, V3 replace terminals A1, A2, A3)

Apply this setting to replace the drive terminals A1, A2, and A3 by the option board terminals V1, V2, and V3. Functions, gain, and bias levels for an analog reference supplied by AI-A3 are set using the H3-□□ parameters as described in [H3-03, H3-04: Terminal A1 Gain and Bias Settings on page 234](#).

Note: Parameter setting error oPE05 will occur if option card terminals are set for separate input functions (F2-01 = 0) while b1-01 = 3.

Setting 1: Combine input terminal values to create frequency reference

With this setting, all three input signals on the AI-A3 option card are added together to create the frequency reference. When the option card is the source of the frequency reference for the drive, parameter b1-01 must be set to 3. Gain and bias settings for the frequency reference supplied from AI-A3 can be set using parameters F2-02 and F2-03.

■ F2-02, F2-03: Analog Input Option Card Gain, Bias

Parameter F2-02 sets the gain and parameter F2-03 sets the bias for the AI-A3 input signal when the card is used in the combined input signals mode (F2-01 = 1). Both gain and bias are set as a percentage of the maximum output frequency.

| No. | Parameter Name | Setting Range | Default |
|-------|-------------------------------|------------------|---------|
| F2-02 | Analog Input Option Card Gain | -999.9 to 999.9% | 100.0% |
| F2-03 | Analog Input Option Card Bias | -999.9 to 999.9% | 0.0% |

Note: Enabled only when F2-01 = 1.

◆ F3: Digital Input Card Settings

These parameters set up the drive for operation with the option card DI-A3. This section describes parameters that govern operation with a digital input option card. Refer to the instruction manual packaged with the option card for specific details on installation, wiring, input signal level selection, and parameter setup.

■ F3-01: Digital Input Option Card Input Selection

Determines the type of input for digital option card DI-A3 when o1-03 is set to 0 or 1.

| No. | Parameter Name | Setting Range | Default |
|-------|---|---------------|---------|
| F3-01 | Digital Input Option Card Input Selection | 0 to 7 | 0 |

Setting 0: BCD, 1% units

Setting 1: BCD, 0.1% units

Setting 2: BCD, 0.01% units

Setting 3: BCD, 1 Hz units

Setting 4: BCD, 0.1 Hz units

Setting 5: BCD, 0.01 Hz units

Setting 6: BCD, special setting (5 digit input), 0.02 Hz units

Setting 7: Binary

Note: BCD input when o1-03 = 2 or 3. Units are determined by o1-03.

5.6 F: Option Settings

■ F3-03: Digital Input Option DI-A3 Data Length Selection

Determines the number of bits for the option card input that sets the frequency reference.

| No. | Parameter Name | Setting Range | Default |
|-------|--|---------------|---------|
| F3-03 | Digital Input Option DI-A3 Data Length Selection | 0 to 2 | 2 |

Setting 0: 8 bit

Setting 1: 12 bit

Setting 2: 16 bit

◆ F4: Analog Monitor Card Settings

These parameters set up the drive for operation with the analog output option card AO-A3. This section describes parameters that govern operation with an analog output option card. Refer to the instruction manual packaged with the option card for specific details on installation, wiring, input signal level selection, and parameter setup.

■ F4-01, F4-03: Terminal V1, V2 Monitor Selection

Selects the data to output from analog terminal V1. Enter the final three digits of U□-□□ to determine which monitor data is output from the option card. Some monitors are only available in certain control modes.

| No. | Parameter Name | Setting Range | Default |
|-------|-------------------------------|---------------|---------|
| F4-01 | Terminal V1 Monitor Selection | 000 to 999 | 102 |
| F4-03 | Terminal V2 Monitor Selection | 000 to 999 | 103 |

■ F4-02, F4-04, F4-05, F4-06: Terminal V1, V2 Monitor Gain and Bias

Parameters F4-02 and F4-04 determine the gain, while parameters F4-05 and F4-06 set the bias. These parameters are set as a percentage of the output signal from V1 and V2 where 100% equals 10 V output. The terminal output voltage is limited to 10 V.

| No. | Parameter Name | Setting Range | Default |
|-------|--------------------------|------------------|---------|
| F4-02 | Terminal V1 Monitor Gain | -999.9 to 999.9% | 100.0% |
| F4-04 | Terminal V2 Monitor Gain | -999.9 to 999.9% | 50.0% |
| F4-05 | Terminal V1 Monitor Bias | -999.9 to 999.9% | 0.0% |
| F4-06 | Terminal V2 Monitor Bias | -999.9 to 999.9% | 0.0% |

Using Gain and Bias to Adjust Output Signal Level

When viewing the values set to F4-02 or F4-05 on the digital operator, a voltage equal to 100% of the parameter being viewed (including current gain and bias settings) will be output from terminal V1 or V2. When viewing the value set to F4-05 or F4-06, terminal V1 or V2 will output a voltage equal to 0% of the parameter being viewed (including current gain and bias settings).

Example 1: F4-02 = 0%, F4-02 = 80%. When the parameter setting display for F4-02 is accessed using the digital operator, terminal V1 will output a voltage of 8 V, even when the drive is stopped.

Example 2: F4-03 = 5%. When the parameter setting display for F4-03 is accessed using the digital operator, terminal V1 will output a voltage of 0.5 V, even when the drive is stopped.

■ F4-07, F4-08: Terminal V1, V2 Signal Level

Sets the output signal level for terminals V1 and V2.

| No. | Parameter Name | Setting Range | Default |
|-------|--------------------------|---------------|---------|
| F4-07 | Terminal V1 Signal Level | 0, 1 | 0 |
| F4-08 | Terminal V2 Signal Level | 0, 1 | 0 |

Setting 0: 0 to 10 V

Setting 1: -10 to 10 V

◆ F5: Digital Output Card Settings

These parameters set up the drive for operation with the digital output option card DO-A3. This section describes parameters that govern operation with a digital output option card. Refer to the instruction manual packaged with the option card for specific details on installation, wiring, input signal level selection, and parameter setup.

■ F5-01 through F5-08: Digital Output Option Card Terminal Function Selection

When F5-09 = 2, the parameters listed in the table below are used to assign functions to the output terminals on the option card.

| No. | Name | Setting Range | Default |
|-------|---------------------------------|---------------|-----------------------------|
| F5-01 | Terminal P1-PC Output Selection | 0 to 192 | 2: Speed agree |
| F5-02 | Terminal P2-PC Output Selection | 0 to 192 | 4: Frequency detection 1 |
| F5-03 | Terminal P3-PC Output Selection | 0 to 192 | 6: Drive ready |
| F5-04 | Terminal P4-PC Output Selection | 0 to 192 | 37: During frequency output |
| F5-05 | Terminal P5-PC Output Selection | 0 to 192 | F: Not used |
| F5-06 | Terminal P6-PC Output Selection | 0 to 192 | F: Not used |
| F5-07 | Terminal M1-M2 Output Selection | 0 to 192 | 0: During run |
| F5-08 | Terminal M3-M4 Output Selection | 0 to 192 | 1: Zero speed |

■ F5-09: DO-A3 Output Mode Selection

Determines how the DO-A3 option card is to work with the drive.

| No. | Parameter Name | Setting Range | Default |
|-------|-----------------------------|---------------|---------|
| F5-09 | DO-A3 Output Mode Selection | 0 to 2 | 0 |

Setting 0: Separate output functions for each of 8 terminals

Setting 1: Binary output

Setting 2: Output functions assigned by F5-01 through F5-08

◆ F6: Communication Option Card

These parameters are to configure communication option cards and communication fault detection methods.

Some parameters apply to all communication option cards, while some parameters are used only for certain network options.

| Parameter | Communication Protocol | | | | |
|--------------------------------|------------------------|-----------------|-------------|---------|-----------|
| | CC-Link | MECHATROLINK-II | PROFIBUS-DP | CANopen | DeviceNet |
| F6-01 to F6-03, F6-06 to F6-08 | ○ | ○ | ○ | ○ | ○ |
| F6-04, -10, -11, -14 | ○ | – | – | – | – |
| F6-20 to F6-26 | – | ○ | – | – | – |
| F6-30 to F6-32 | – | – | ○ | – | – |
| F6-35 to F6-36 | – | – | – | ○ | – |
| F6-50 to F6-63 | – | – | – | – | ○ |

■ F6-01: Communications Error Operation Selection

Determines drive operation if a communication error occurs.

| No. | Parameter Name | Setting Range | Default |
|-------|--|---------------|---------|
| F6-01 | Communications Error Operation Selection | 0 to 3 | 1 |

Setting 0: Ramp to stop (uses the deceleration time set to C1-02)

Setting 1: Coast to stop

Setting 2: Fast Stop (uses the Fast Stop time set to C1-09)

Setting 3: Alarm only (continue operation)

5.6 F: Option Settings

■ F6-02: External Fault from Comm. Option Detection Selection

Determines the detection method of an external fault initiated by a communication option (EF0).

| No. | Parameter Name | Setting Range | Default |
|-------|--|---------------|---------|
| F6-02 | External Fault from Comm. Option Detection Selection | 0 or 1 | 0 |

Setting 0: Always detected

Setting 1: Detection during run only

■ F6-03: External Fault from Comm. Option Operation Selection

Determines the operation when an external fault is initiated by a communication option (EF0).

| No. | Parameter Name | Setting Range | Default |
|-------|--|---------------|---------|
| F6-03 | External Fault from Comm. Option Operation Selection | 0 to 3 | 1 |

Setting 0: Ramp to stop

Setting 1: Coast to stop

Setting 2: Fast Stop

Setting 3: Alarm only (continue operation)

■ F6-06: Torque Reference / Torque Limit Selection from Comm. Option

Used to select if torque reference and torque limit values are assigned to the drive from the network.

| No. | Parameter Name | Setting Range | Default |
|-------|---|---------------|---------|
| F6-06 | Torque Reference / Torque Limit Selection from Comm. Option | 0, 1 | 0 |

Setting 0: Enabled

Setting 1: Disabled

■ F6-07: Multi-Step Speed Enable/Disable when NetRef/ComRef is Selected

Selects how multi-step speed inputs are treated when the NetRef command is set.

| No. | Parameter Name | Setting Range | Default |
|-------|----------------------------------|---------------|---------|
| F6-07 | NetRef/ComRef Function Selection | 0, 1 | 0 |

Setting 0: Multi-step speed operation disabled

If the NetRef command is selected, multi-step speed input frequency references are disabled.

Setting 1: Multi-step speed operation enabled

Even if the NetRef command is selected, multi-step speed inputs are still active and can override the frequency reference from the communications option .

■ F6-08: Reset Communication Parameters

Determines whether communication-related parameters (F6-□□) are reset when the drive is initialized using parameter A1-03.

| No. | Parameter Name | Setting Range | Default |
|-------|--------------------------------|---------------|---------|
| F6-08 | Reset Communication Parameters | 0, 1 | 0 |

Setting 0: Do not reset parameters F6-□□ when the drive is initialized with A1-03

Setting 1: Reset F6-□□ when the drive is initialized with A1-03

Note: F6-08 is not reset when the drive is initialized, but does determine whether initializing the drive with A1-03 resets the other communication parameters, F6-□□.

◆ CC-Link Parameters

Parameters F6-04, F6-10, F6-11, and F6-14 set up the drive to operate on a CC-Link network.

For details on parameter settings, refer to the YASKAWA AC Drive-Option Card CC-Link Installation Manual and Technical Manual.

◆ MECHATROLINK Parameters

Parameters F6-20 through F6-26 set up the drive to operate on a MECHATROLINK network.

For details on parameter settings, refer to the YASKAWA AC Drive-Option Card MECHATROLINK-II Installation Manual and Technical Manual.

◆ PROFIBUS-DP Parameters

Parameters F6-30 through F6-32 set up the drive to operate on a PROFIBUS-DP network.

For details on parameter settings, refer to the YASKAWA AC Drive-Option Card PROFIBUS-DP Installation Manual and Technical Manual.

◆ CANopen Parameters

Parameters F6-35 and F6-36 set up the drive to operate on a CANopen network.

For details on parameter settings, refer to the YASKAWA AC Drive-Option Card CANopen Installation Manual and Technical Manual.

◆ DeviceNet Parameters

Parameters F6-50 through F6-63 set up the drive to operate on a DeviceNet network.

For details on parameter settings, refer to the YASKAWA AC Drive-Option Card DeviceNet Installation Manual and Technical Manual.

5.7 H: Terminal Functions

H parameters are used to assign functions to the external terminals.

◆ H1: Multi-Function Digital Inputs

■ H1-01 to H1-08: Functions for Terminals S1 to S8

These parameters assign functions to the multi-function digital inputs. The various functions and their settings are listed below in [Table 5.35](#).

| No. | Parameter Name | Setting Range | Default |
|-------|---|---------------|---|
| H1-01 | Multi-Function Digital Input Terminal S1 Function Selection | 1 to 9F | 40 (F) <I>: Forward Run Command (2-wire sequence) |
| H1-02 | Multi-Function Digital Input Terminal S2 Function Selection | 1 to 9F | 41 (F) <I>: Reverse Run Command (2-wire sequence) |
| H1-03 | Multi-Function Digital Input Terminal S3 Function Selection | 0 to 9F | 24: External Fault |
| H1-04 | Multi-Function Digital Input Terminal S4 Function Selection | 0 to 9F | 14: Fault Reset |
| H1-05 | Multi-Function Digital Input Terminal S5 Function Selection | 0 to 9F | 3 (0) <I>: Multi-Step Speed Reference 1 |
| H1-06 | Multi-Function Digital Input Terminal S6 Function Selection | 0 to 9F | 4 (3) <I>: Multi-Step Speed Reference 2 |
| H1-07 | Multi-Function Digital Input Terminal S7 Function Selection | 0 to 9F | 6 (4) <I>: Jog Reference Selection |
| H1-08 | Multi-Function Digital Input Terminal S8 Function Selection | 0 to 9F | 8: External Baseblock Command |

<I> Number appearing in parenthesis is the default value after performing a 3-Wire initialization.

Table 5.35 Multi-Function Digital Input Terminal Settings

| Setting | Function | Page | Setting | Function | Page |
|----------|----------------------------------|---------------------|----------|--|---------------------|
| 0 | 3-wire sequence | 215 | 34 | PID soft starter cancel | 221 |
| 1 | Local/remote selection | 215 | 35 | PID input level selection | 221 |
| 2 | External reference 1/2 selection | 216 | 40 | Forward run command (2-wire sequence) | 221 |
| 3 | Multi-Step Speed Reference 1 | 216 | 41 | Reverse run command (2-wire sequence) | 221 |
| 4 | Multi-Step Speed Reference 2 | | 42 | Run command (2-wire sequence 2) | |
| 5 | Multi-Step Speed Reference 3 | | 43 | FWD/REV command (2-wire sequence 2) | |
| 6 | Jog reference selection | 216 | 44 | Offset frequency 1 | 221 |
| 7 | Accel/decel time selection 1 | 216 | 45 | Offset frequency 2 | |
| 8 | Baseblock command (N.O.) | 216 | 46 | Offset frequency 3 | |
| 9 | Baseblock Command (N.C.) | | 47 | Node setup | 221 |
| A | Accel/decel ramp hold | 216 | 60 | DC Injection Braking command | 222 |
| B | Drive overheat alarm (OH2) | 217 | 61 | External Speed Search command 1 | 222 |
| C | Analog terminal input selection | 217 | 62 | External Speed Search command 2 | 222 |
| D | PG encoder disable | 217 | 63 | Field Weakening | 222 |
| E | ASR integral reset | 217 | 65 | KEB Ride-Thru 1 (N.C.) | 222 |
| F | Through mode | 217 | 66 | KEB Ride-Thru 1 (N.O.) | |
| 10 | Up command | 217 | 67 | Communications test mode | 222 |
| 11 | Down command | | 68 | High Slip Braking | 222 |
| 12 | Forward jog | 218 | 6A | Drive enabled | 222 |
| 13 | Reverse jog | | 71 | Speed/Torque Control switch | 223 |
| 14 | Fault reset | 218 | 72 | Zero Servo | 223 |
| 15 | Fast Stop (N.O.) | 218 | 75 | Up 2 command | 223 |
| 16 | Motor 2 selection | 219 | 76 | Down 2 command | |
| 17 | Fast Stop (N.C.) | 218 | 77 | ASR gain switch | 223 |
| 18 | Timer function input | 219 | 78 | External torque reference polarity inversion | 223 |
| 19 | PID disable | 219 | 7A | KEB Ride-Thru 2 (N.C.) | 224 |
| 1A | Accel/decel time selection 2 | 220 | 7B | KEB Ride-Thru 2 (N.O.) | |
| 1B | Program lockout | 220 | 7C | Short Circuit Braking (N.O.) | 224 |
| 1E | Reference sample hold | 220 | 7D | Short Circuit Braking (N.C.) | |
| 20 to 2F | External fault | 220 | 7E | Forward/reverse detection (V/f control with simple PG) | 224 |
| 30 | PID integral reset | 221 | 7F | Bi-directional PID output enable | 224 |
| 31 | PID integral hold | 221 | 90 to 97 | DriveWorksEZ Digital input 1 to 8 | 224 |
| 32 | Multi-step speed reference 4 | 221 | 9F | DriveWorksEZ disabled | 224 |

Setting 0: 3-Wire Sequence

When one of the digital inputs is programmed for 3-wire control, that input becomes a forward/reverse directional input, S1 becomes the Run command input, and S2 becomes the Stop command input.

The drive will start the motor when the input S1 set for the Run command is closed for longer than 2 ms. The drive will stop the operation when the Stop input S2 is released for a brief moment. Whenever the input programmed for 3 wire sequence is open, the drive will be set for forward direction. If the input is closed, the drive is set for reverse direction.

Note: When 3-wire sequence is selected, the Run and Stop commands must be input via S1 and S2.

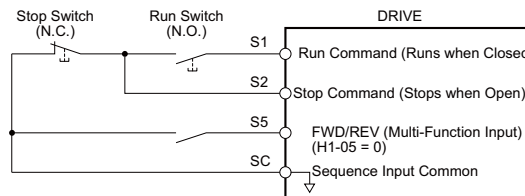


Figure 5.55 3-Wire Sequence Wiring Diagram

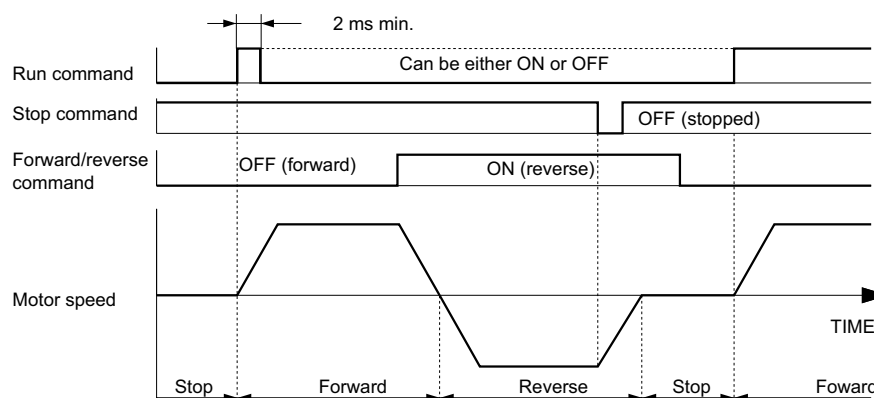


Figure 5.56 3-Wire Sequence

- Note:**
1. The Run command must be closed for more than 2 ms.
 2. If the Run command is active at power up and $b1-17 = 0$ (Run command at power up not accepted), the Run LED will flash to indicate that protective functions are operating. If required by the application, set $b1-17$ to 1 to have the Run command issued automatically as soon as the drive is powered up.

WARNING! Sudden Movement Hazard. Ensure start/stop and safety circuits are wired properly and in the correct state before energizing the drive. Failure to comply could result in death or serious injury from moving equipment.

WARNING! The drive may start unexpectedly in reverse direction after power up if it is wired for 3-wire sequence but set up for 2-wire sequence (default). Make sure $b1-17$ is set to "0" (drive does not accept a Run command active at power up). When initializing the drive use 3-wire initialization. Failure to comply could result in death or serious injury from moving equipment.

Setting 1: LOCAL/REMOTE selection

This setting allows the input terminal to determine if the drive will run in LOCAL mode or REMOTE mode.

| Status | Description |
|--------|---|
| Closed | LOCAL: Frequency reference and Run command are input from the digital operator. |
| Open | REMOTE: Frequency reference and Run command are input from the external reference that has been selected. If a digital input set to $H1-\square = 2$ is active, they will be read from external reference source 2 ($b1-15$ and $b1-16$). Otherwise they will be read from external reference source 1 ($b1-01$ and $b1-02$). |

- Note:**
1. If one of the multi-function input terminals is set to for LOCAL/REMOTE, then the LO/RE key on the operator will be disabled.
 2. When the drive is set to LOCAL, the LO/RE LED will light.
 3. The default setting of the drive is not to allow switching between LOCAL and REMOTE during run. To allow the drive to switch between LOCAL and REMOTE during run, [Refer to b1-07: LOCAL/REMOTE Run Selection on page 142.](#)

5.7 H: Terminal Functions

Setting 2: External reference 1/2 selection

This function can be used to switch the Run command and frequency reference source between External reference 1 and 2 if the drive is in the REMOTE mode.

| Status | Description |
|--------|--|
| Open | External reference 1 is used (defined by parameters b1-01 and b1-02) |
| Closed | External reference 2 is used (defined by parameters b1-15 and b1-16) |

Note: With default settings the drive is not to allow switching between External reference 1 and 2 during run. *Refer to b1-07: LOCAL/REMOTE Run Selection on page 142* if this feature is required by the application.

Setting 3 to 5: Multi-Step Speed Reference 1 to 3

Used to switch multi-step speed frequency references d1-01 to d1-08 by digital inputs. Refer to *d1: Frequency Reference on page 180* for details.

Setting 6: Jog reference selection

The Jog frequency set in parameter d1-17 becomes the frequency reference when the input terminal closes. Refer to *d1: Frequency Reference on page 180* for details.

Setting 7: Accel/decel time selection 1

Used to switch between accel/decel times 1 (C1-01 and C1-02) and 2 (C1-03 and C1-04). *Refer to C1-01 to C1-08: Accel, Decel Times 1 to 4 on page 165* for details.

Setting 8, 9: Baseblock command (N.O., N.C.)

When the drive receives a Baseblock command, the output transistor stop switching and the motor coasts to stop. During this time, the alarm “bb” will flash on the digital operator to indicate baseblock. When baseblock ends and a Run command is active, the drive performs Speed Search to get the motor running again.

| Digital Input Function | Drive Operation | |
|------------------------|------------------------------|------------------------------|
| | Input Open | Input Closed |
| Setting 8 (N.C.) | Baseblock (Interrupt output) | Normal operation |
| Setting 9 (N.O.) | Normal operation | Baseblock (Interrupt output) |

NOTICE: If using baseblock in hoist applications, make sure the brake closes when the drive output is cut off by a Baseblock command triggered via one of the input terminals. Failure to do so will result in the motor suddenly coasting when the Baseblock command is entered, causing the load to slip.

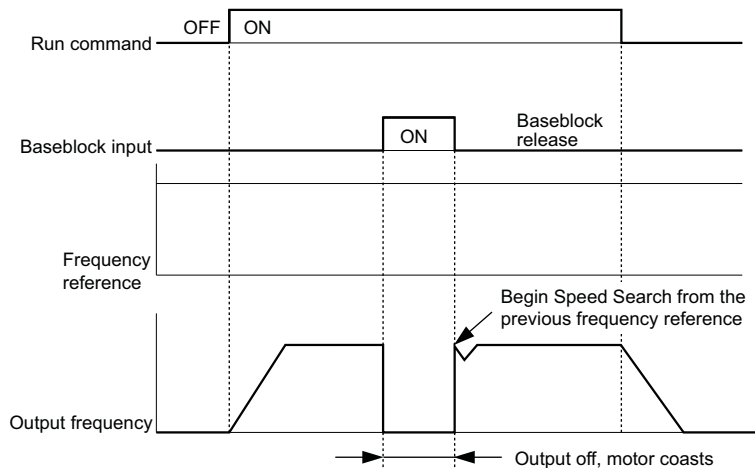


Figure 5.57 Baseblock Operation During Run

Setting A: Accel/decel ramp hold

When the digital input programmed for the Accel/decel ramp hold function closes, the drive will lock (“hold”) the output frequency. Acceleration or deceleration will resume once the input is opened again.

If the Accel/decel ramp hold function is enabled ($d4-01 = 1$), the drive will save the output frequency to memory whenever the Ramp Hold input is closed. When the drive is restarted after stop or after power supply interruption, the output frequency that was saved will become the frequency reference (provided that the Accel/decel ramp hold input is still closed). *Refer to d4-01: Frequency Reference Hold Function Selection on page 183* for details.

Setting B: Drive overheat alarm (oH2)

Triggers an oH2 alarm when the contact closes. Because this is an alarm, drive operation is not affected.

Setting C: Analog terminal input selection (terminal A1, A2, A3)

When closed, the terminals specified in H3-14 are enabled. When open, the drive disregards the input signal to the analog terminals.

Setting D: PG encoder disable

When closed the drive disregards PG feedback from the motor when using V/f Control with PG. When the terminal is opened again, the drive resumes using PG feedback to control motor speed.

Setting E: ASR integral reset

Switches between PI control or simply P control by resetting the integral value. As long as the terminal is closed, integral operation is disabled and the drive uses P control. When the terminal opens, PI control resumes.

Setting F: Through mode

Select this setting when using the terminal in a pass-through mode. When set to F, an input does not trigger any function in the drive. Setting F, however, still allows the input status to be read out by a PLC via a communication option or MEMOBUS/Modbus communications.

Setting 10, 11: Up, Down command

Using the Up/Down function allows the frequency reference to be set by two push buttons. One digital input must be programmed as the Up input (H1-□□ = 10) to increase the frequency reference, and the other one must be programmed as the Down input (H1-□□ = 11) to decrease the frequency reference.

The Up/Down function has priority over the frequency references from the digital operator, the analog inputs, and the pulse input (b1-01 = 0, 1, 4). If the Up/Down function is used, then references provided by these sources will be disregarded.

The inputs operate as shown in the table below.

| Status | | Drive Operation |
|---------|-----------|----------------------------------|
| Up (10) | Down (11) | |
| Open | Open | Hold current frequency reference |
| Closed | Open | Increase frequency reference |
| Open | Closed | Decrease frequency reference |
| Closed | Closed | Hold current frequency reference |

- Note:**
1. An oPE03 alarm will occur when only one of the functions Up/Down is programmed for a digital input.
 2. An oPE03 alarm will occur if the Up/Down function is assigned to the terminals while another input is programmed for the Accel/ decel ramp hold function. For more information on alarms, [Refer to Drive Alarms, Faults, and Errors on page 300](#).
 3. The Up/Down function can only be used for External reference 1. Consider this when using Up/Down and the external reference switching command (H1-□□ = 2).

Using the Up/Down Function with Frequency Reference Hold (d4-01)

- When the frequency reference hold function is disabled (d4-01 = 0), the Up/Down frequency reference will be reset to 0 when the Run command is cleared or the power is cycled.
- When d4-01 = 1, the drive will save the frequency reference set by the Up/Down function. When the Run command or the power is cycled, the drive will restart with the reference value that was saved. The value that was saved can be reset by closing either the Up or Down input without having a Run command active. [Refer to d4-01: Frequency Reference Hold Function Selection on page 183](#).

Using the Up/Down Function with Frequency Reference Limits

The upper frequency reference limit is determined by parameter d2-01.

The value for the lower frequency reference limit depends on the setting of parameter d4-10, and can be set by an analog input or parameter d2-02. [Refer to d4-10: Up/Down Frequency Reference Limit Selection on page 187](#) for details.

When a Run command is applied, the lower limits work as follows:

- If the lower limit is set by d2-02 only, the drive will accelerate to this limit as soon as a Run command is entered.
- If the lower limit is determined by an analog input only, the drive will accelerate to the limit as long as the Run command and an Up or Down command are active. It will not start running if only the Run command is on.

5.7 H: Terminal Functions

- If the lower limit is set by both an analog input and d2-02, and the analog limit is higher than the d2-02 value, then the drive will accelerate to the d2-02 value when a Run command is input. Once the d2-02 value is reached, it will continue acceleration to the analog limit only if an Up or Down command is set.

Figure 5.58 shows an Up/Down function example with a lower frequency reference limit set by d2-02, and the frequency reference hold function both enabled and disabled.

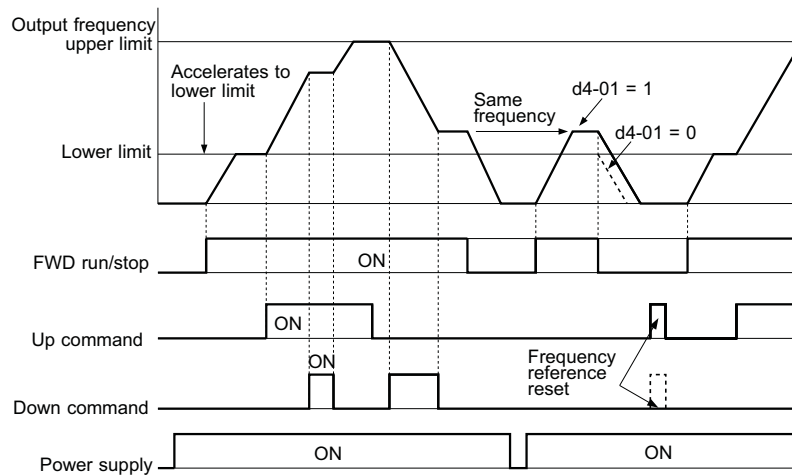


Figure 5.58 Up/Down Command Operation

Setting 12, 13: Forward Jog, Reverse Jog

Digital inputs programmed as Forward Jog (H1-□□ = 12) and Reverse Jog (H1-□□ = 13) will be Jog inputs that do not require a Run command. Closing the terminal set for Forward Jog input will cause the drive to ramp to the Jog frequency reference (d1-17) in the forward direction. The Reverse Jog will cause the same action in the reverse direction. The Forward Jog and Reverse Jog command can be set independently.

Note: The Forward Jog and Reverse Jog commands override all other frequency references. However, if the drive is set to prohibit reverse rotation (b1-04 = 1), then activating Reverse Jog will have no effect. If both the Forward Jog and Reverse Jog are input simultaneously for 500 ms or more, an alarm will occur and the drive will ramp to stop.

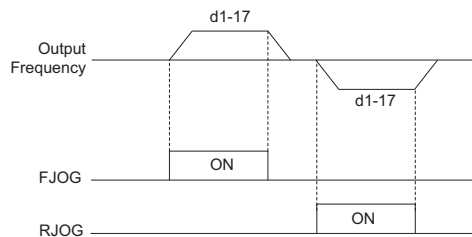


Figure 5.59 FJOG/RJOG Operation

Setting 14: Fault reset

Whenever the drive detects a fault condition, the fault output contact will close and the drive's output will shut off. The motor then coasts to stop (specific stopping methods can be selected for some faults such as L1-04 for motor overheating). Once the Run command is removed, the fault can be cleared by either the RESET key on the digital operator or by closing a digital input configured as a Fault Reset (H1-□□ = 14).

Note: Fault Reset commands are ignored as long as the Run command is present. To reset a fault, first remove the Run command.

Setting 15, 17: Fast Stop (N.O., N.C.)

The Fast Stop function operates much like an emergency stop input to the drive. If a Fast Stop command is input while the drive is running, the drive will decelerate to a stop by the deceleration time set to C1-09 ([Refer to C1-09: Fast Stop Time on page 166](#)). The drive can only be restarted after it has come to a complete stop, the Fast Stop input is off, and the Run command has been switched off.

- To trigger the Fast Stop function with a N.O. switch, set H1-□□ = 15.
- To trigger the Fast Stop function with a N.C. switch, set H1-□□ = 17.

Figure 5.60 shows an operation example of Fast Stop.

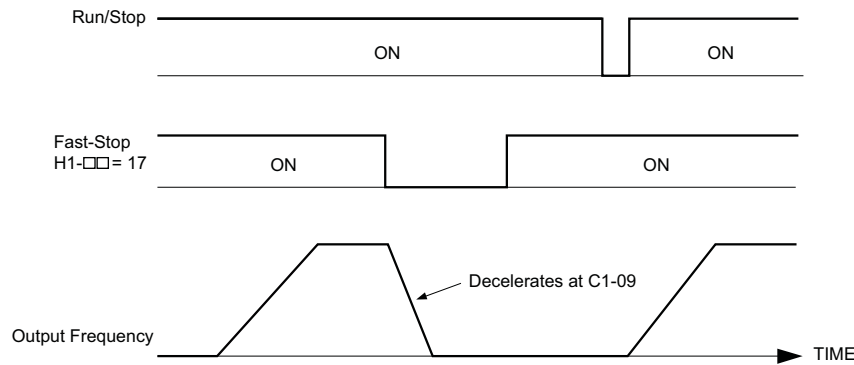


Figure 5.60 Fast Stop Sequence

NOTICE: Rapid deceleration can trigger an overvoltage fault. When faulted, the drive output shuts off, and the motor coasts. To avoid this uncontrolled motor state and to ensure that the motor stops quickly and safely, set an appropriate Fast Stop time to C1-09.

Setting 16: Motor 2 selection

The drive has the capability to control two induction motors independently. A second motor may be selected using a multi-function digital input as shown in Figure 5.61.

Note: The motor 2 selection function cannot be used when PM motor is used.

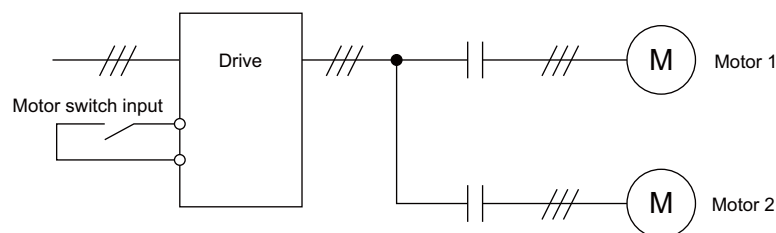


Figure 5.61 Motor Selection

When switching between motor 1 and motor 2, the parameters used to control those motors also change. Below, Table 5.36 lists the parameters that correspond to each motor.

Table 5.36 Parameters for Switching Between Two Motors

| No. | Setting 16 Open (Motor 1) | ⇒ | Setting 16 Closed (Motor 2) |
|---|--|---|---|
| C1-□□: Acceleration/Deceleration Time | C1-01 to C1-04 | ⇒ | C1-05 to C1-08 |
| C3-□□: Motor Slip Compensation | C3-01 to C3-04, C3-15 | ⇒ | C3-21 to C3-25 |
| C4-□□: Motor Torque Compensation | C4-01 | ⇒ | C4-07 |
| C5-□□: Speed Control (ASR) | C5-01 to C5-08, C5-12, C5-15, C5-17, C5-18 | ⇒ | C5-21 to C5-28, C5-32, C5-35, C5-37, C5-38 |
| E1-□□, E3-□□: V/f Pattern E2-□□, E4-□□: Motor Parameters | E1-□□, E2-□□ | ⇒ | E3-□□ to E4-□□ |
| F1-□□ (PG Constant) | F1-01 to F1-21 | ⇒ | F1-02 to F1-04, F1-08 to F1-11, F1-14, F1-31 to F1-37 |

- Note:**
1. When using 2 motors, the motor overload protection selection (oL1) set to L1-01 applies to both motor 1 and motor 2.
 2. It is not possible to switch between motor 1 and motor 2 during run. Doing so will trigger the “rUn” alarm.
 3. There is a 500 ms delay when switching between motors equipped with a PG encoder for feedback.
 4. The motor 2 selection function cannot be used when PM motor is used.

If a digital output is programmed for “Motor 2 selection” (H1-01, H1-02, or H1-03 = 1C), motor will be selected when the output is closed.

Setting 18: Timer function input

This setting configures a digital input terminal as the input for the timer function. Use this setting combination with the timer function output (H2-□□ = 12). Refer to b4: Delay Timers on page 151 for details.

Setting 19: PID disable

When the PID function has been enabled by parameter b5-01, it can be indefinitely disabled by closing a digital input. When the input is released, the drive resumes PID operation. Also refer to PID Block Diagram on page 154.

5.7 H: Terminal Functions

Setting 1A: Accel/decel time selection 2

Used to select accel/decel times 1 to 4 in combination with the Accel/decel time selection 1 command. *Refer to C1-01 to C1-08: Accel, Decel Times 1 to 4 on page 165* for details.

Setting 1B: Program lockout

When an input is programmed for Program Lockout, parameters values cannot be changed as long as this input is open (it is still possible to view and monitor parameter settings).

Setting 1E: Reference sample hold

This function allows the user to sample an analog frequency reference signal being input to terminal A1, A2, or A3 and hold the frequency reference at the sampled level. Once the Analog Frequency Reference Sample/Hold function is held for at least 100 ms, the drive reads the analog input and changes the frequency reference to the newly sampled speed as illustrated in *Figure 5.62*.

When the power is shut off and the sampled analog frequency reference is cleared, the frequency reference is reset to 0.

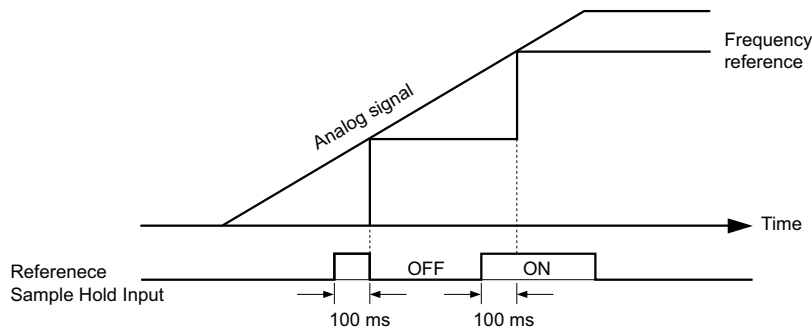


Figure 5.62 Analog Frequency Reference Sample/Hold

An oPE03 error will occur when one of the following functions is used simultaneously with the Analog frequency reference sample/hold command.

- Hold accel/decel stop (setting: A)
- Up command, Down command (setting: 10, 11)
- Offset frequency (setting: 44 to 46)
- Up or Down functions (setting: 75, 76)

Setting 20 to 2F: External fault

By using the External fault command, the drive can be stopped when problems occur with external devices.

To use the External fault command, set one of the multi-function digital inputs to any value between 20 to 2F. The digital operator will display EF□ where □ is the number of the terminal to which the external fault signal is assigned.

For example, if an external fault signal is input to terminal S3, “EF3” will be displayed.

Select the value to be set in H1-□□ from a combination of any of the following three conditions:

- Signal input level from peripheral devices (N.O., N.C.)
- External fault detection method
- Operation after external fault detection

The following table shows the relationship between the conditions and the value set to H1-□□:

| Setting | Terminal Status <1> | | Detection Conditions <2> | | Stopping Method | | | |
|---------|---------------------|------|--------------------------|--------------------------|----------------------|-----------------------|-------------------|-------------------------------|
| | N.O. | N.C. | Always Detected | Detected during Run only | Ramp to Stop (fault) | Coast to Stop (fault) | Fast Stop (fault) | Alarm Only (continue running) |
| 20 | 0 | | 0 | | 0 | | | |
| 21 | | 0 | 0 | | 0 | | | |
| 22 | 0 | | | 0 | 0 | | | |
| 23 | | 0 | | 0 | 0 | | | |
| 24 | 0 | | 0 | | | 0 | | |
| 25 | | 0 | 0 | | | 0 | | |
| 26 | 0 | | | 0 | | 0 | | |
| 27 | | 0 | | 0 | | 0 | | |
| 28 | 0 | | 0 | | | | 0 | |
| 29 | | 0 | 0 | | | | 0 | |

| Setting | Terminal Status <1> | | Detection Conditions <2> | | Stopping Method | | | |
|---------|---------------------|------|--------------------------|--------------------------|----------------------|-----------------------|-------------------|-------------------------------|
| | N.O. | N.C. | Always Detected | Detected during Run only | Ramp to Stop (fault) | Coast to Stop (fault) | Fast Stop (fault) | Alarm Only (continue running) |
| 2A | 0 | | | 0 | | | 0 | |
| 2B | | 0 | | 0 | | | 0 | |
| 2C | 0 | | 0 | | | | | 0 |
| 2D | | 0 | 0 | | | | | 0 |
| 2E | 0 | | | 0 | | | | 0 |
| 2F | | 0 | | 0 | | | | 0 |

<1> Determine the terminal status for each fault, i.e., whether the terminal is normally open or normally closed.

<2> Determine whether detection for each fault should be enabled only during run or always detected.

Setting 30: PID integral reset

By configuring one of the digital inputs for PID integral reset (H1-□□ = 30), the value of the integral component in PID control will be reset to 0 whenever the terminal is closed. *Refer to PID Block Diagram on page 154* for more details.

Setting 31: PID integral hold

By configuring a digital input for Integral Hold (H1-0□ = 31), the value of the integral component of the PID control is locked as long as the input is active. The PID controller resumes integral operation from the hold value as soon as the integral hold input is released. *Refer to PID Block Diagram on page 154* for more information on this function.

Setting 32: Multi-Step Speed Reference 4

Used to select the multi-step speeds d1-09 to d1-16 in combination with the input terminal set for Multi-Step Speed 1, 2 and 3. *Refer to d1-01 to d1-17: Frequency Reference 1 to 16 and Jog Frequency Reference on page 180.*

Setting 34: PID soft starter cancel

A digital input configured as a PID soft starter cancel input (H1-0□ = 34) can be used to enable or disable the PID soft starter and thereby canceling the PID accel/decel time (b5-17). *Refer to PID Block Diagram on page 154.*

Setting 35: PID input level selection

Allows an input terminal to switch the sign of the PID input. *Refer to PID Block Diagram on page 154* for details.

Setting 40, 41: Forward run, Reverse run command for 2-wire sequence

Configures the drive for a 2-wire sequence.

When an input terminal set to 40 closes, the drive operates in the forward direction. When an input set for 41 closes, the drive will operate in reverse. Closing both inputs at the same time will result in an external fault.

- Note:**
1. This function cannot be used simultaneously with settings 42 and 43.
 2. The same functions are assigned to terminals S1 and S2 when the drive is initialized for 2-wire sequence.

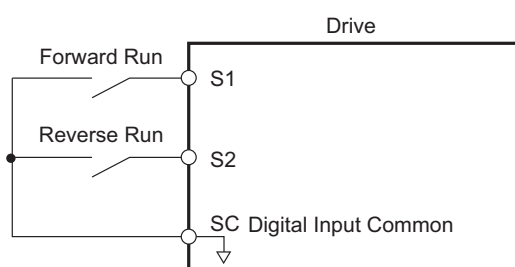


Figure 5.63 Example Wiring Diagram for 2-Wire Sequence

Setting 42, 43: Run and direction command for 2-wire sequence 2

Sets the drive for 2-wire sequence 2.

When an input terminal programmed for 42 is closed, the drive will operate in the direction selected. When the input opens, the drive will stop. The input programmed for 43 selects the direction. If it is open, forward direction is selected. If it is closed, reverse direction is selected.

Note: This function cannot be used simultaneously with settings 40 and 41.

Setting 44, 45, 46: Offset frequency 1, 2, 3

These inputs can be used to add offset frequencies d7-01, d7-02, and d7-03 to the frequency reference. *Refer to d7-01 to d7-03: Offset Frequency 1 to 3 on page 193* for details.

5.7 H: Terminal Functions

Setting 47: Node setup

If the SI-S3 option card is connected, closing this terminal will set a node address for operation on a CANopen network.

Setting 60: DC Injection Braking command

When a DC Injection Braking command is input while the drive is stopped, DC Injection Braking operation is activated. When a Run command or a Jog command is input, DC Injection Braking is released. [Refer to b2: DC Injection Braking and Short Circuit Braking on page 144](#) for details on setting up the DC Injection Braking function.

The diagram below illustrates how the DC Injection Braking function works.

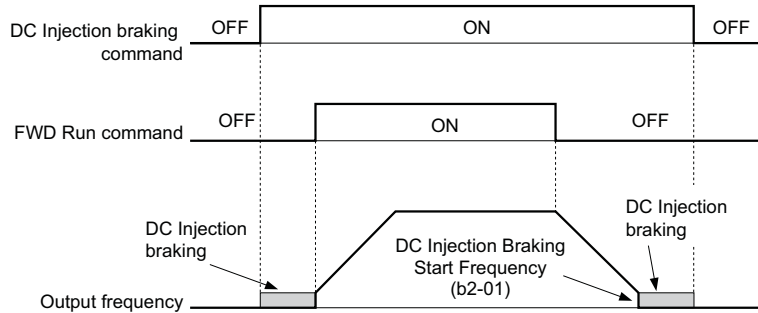


Figure 5.64 DC Injection Braking Input Timing Diagram

Setting 61, 62: External Speed Search command 1, 2

These input functions can be used to enable Speed Search even if parameter b3-01 = 0 (no Speed Search at start). [Refer to Activating of Speed Search on page 149](#) for details on how to use the input signals. [Refer to b3: Speed Search on page 146](#) for more about Speed Search.

Note: Operator error oPE03 will result if both Speed Search 1 and Speed Search 2 are set to the input terminals at the same time.

Setting 63: Field Weakening

Enabled in V/f Control. When closed, Field Weakening is performed. For details, [Refer to d6: Field Weakening and Field Forcing on page 192](#).

Setting 65, 66: KEB Ride-Thru 1 (N.C.), 2 (N.O.)

Used to enable the KEB Ride-Thru function selected in parameter L2-29. [Refer to KEB Ride-Thru Function on page 249](#) for more information on this function.

| Digital Input Function | Drive Operation | |
|------------------------|----------------------------|----------------------------|
| | Input Open | Input Closed |
| Setting 65 (N.C.) | KEB Ride-Thru Deceleration | Normal operation |
| Setting 66 (N.O.) | Normal operation | KEB Ride-Thru Deceleration |

Note: Both KEB Ride-Thru 1 and 2 cannot be assigned to the input terminals at the same time. This will trigger setting error oPE03.

Setting 67: Communication test mode

The drive has a built-in function for self-diagnosing serial communications operation. The test involves wiring the send and receive terminals of the RS-485/422 port together. The drive transmits data and then confirms that the communications are received normally. [Refer to Self-Diagnostics on page 505](#) for details on how to use this function.

Setting 68: High Slip Braking

Closing an input programmed for this function triggers High Slip Braking (available only in V/f and V/f w/PG control modes). Once HSB is started, the drive has to come to a complete stop and the HSB command must be removed before a restart can be performed. [Refer to n3: High Slip Braking \(HSB\) and Overexcitation Braking on page 276](#).

Setting 6A: Drive enable

A digital input configured as a “Drive enable” (H1-□□ = 6A) will prevent the drive from executing a Run command until the input is closed. When the input is open, the digital operator will display “dnE” to indicate that the drive is disabled.

If a Run command is enabled before the terminal set for “Drive enable” closes, then the drive will not run until the Run command is cycled (i.e., a new Run command is required). If the input is opened while the drive is running, the drive will stop according to the stop method set to b1-03 ([Refer to b1-03: Stopping Method Selection on page 138](#)).

Setting 71: Speed/Torque Control switch

Switches the drive between Torque Control and Speed Control. Torque Control is enabled when the terminal is closed, and Speed Control is enabled when the terminal is open. Note that parameter d5-01 must be set to 0 when using this function. Refer to [d5: Torque Control on page 188](#) and [Switching Between Torque and Speed Control on page 190](#).

Setting 72: Zero Servo

Used to activate the Zero Servo function that can be used to lock the rotor at a certain position. Refer to [b9: Zero Servo on page 164](#) for details.

Setting 75, 76: Up 2, Down 2 command

The Up 2 and Down 2 function can be used to add a bias to the frequency reference. The input programmed for 75 will increase the bias and the input programmed for 76 will decrease it. [Table 5.37](#) explains how the Up/Down 2 function works depending on the frequency reference source and parameters d4-01, d5-03, and d4-05. [Refer to d4: Frequency Reference Hold and Up/Down 2 Function on page 183](#) for detailed explanations of these and other Up/Down 2 related parameters.

- Note:**
1. The Up 2 and Down 2 functions must be set as a pair.
 2. When using the Up 2 and Down 2, set appropriate bias limit values to parameters d4-08 and d4-09.

Table 5.37 Up/Down 2 Operations

| Condition | Freq. Ref. Source | d4-03 | d4-05 | d4-01 | Operation | Frequency Saved |
|-----------|----------------------------|--------------------|-------|-------|--|--|
| 1 | Multi-Step Speed Reference | 0 | 0 | 0 | <ul style="list-style-type: none"> Accelerates (increases the bias) while the Up 2 terminal is closed. Decelerates (decreases the bias) while Down 2 is closed. Holds output frequency (holds the bias) when no Up 2 or Down 2 input or both active. Resets the bias when the reference changes. Operates with the frequency reference in all other situations. | Not saved |
| 2 | | | | 1 | | If the bias and frequency reference are constant for 5 s, the bias is added to the active frequency reference and reset afterwards. |
| 3 | | | | -- | | Not saved |
| 4 | Multi-Step Speed Reference | Value other than 0 | -- | 0 | <ul style="list-style-type: none"> When the Up 2 is enabled, drive accelerates up to the frequency reference plus d4-03 (bias is increased for d4-03). When Down 2 is enabled, drive decelerates down to the frequency reference minus d4-03 (bias is decreased for d4-03). Holds output frequency (holds the bias) when no Up 2 or Down 2 input or both active. Resets the bias when the reference changes. Operates with the frequency reference in all other situations. | Not saved |
| 5 | | | | 1 | | If the bias and frequency reference are constant for 5 s, the bias is added to the active frequency reference and reset afterwards. |
| 6 | Other (analog comm., etc.) | 0 | 0 | 0 | <ul style="list-style-type: none"> Accelerates (increases the bias) while the Up 2 terminal is closed. Decelerates (decreases the bias) while Down 2 is closed. Holds output frequency (holds the bias) when no Up 2 or Down 2 input or both active. If the frequency reference changes for more than d4-07 during accel/decel, bias value is held until the output frequency meets the reference (speed agree). | Not saved |
| 7 | | | | 1 | | If the bias is constant for 5 s, it is saved to parameter d4-06. The frequency reference cannot be overwritten, so only the bias is saved. |
| 8 | Other (analog comm, etc.) | 0 | 1 | -- | <ul style="list-style-type: none"> Accelerates (increases the bias) while the Up 2 terminal is closed. Decelerates (decreases the bias) while Down 2 is closed. Otherwise operates at the frequency reference | Not saved |
| 9 | | | | 0 | | Not saved |
| 10 | | | | 1 | | If the bias is constant for 5 s, it is saved to parameter d4-06. The frequency reference cannot be overwritten, so only the bias is saved. |
| | | Value other than 0 | -- | | <ul style="list-style-type: none"> When Up 2 is enabled, drive accelerates up to the frequency reference plus d4-03 (increases the bias for d4-03). When Down 2 is enabled, drive decelerates down to the frequency reference minus d4-03 (decreases the bias for d4-03). If the frequency reference changes for more then d4-07 during accel/decel, bias value is held until the output frequency meets the reference (speed agree). | |

Setting 77: ASR gain switch

Switches the ASR gain between the values set to C5-01 and C5-03. The gain set to C5-03 is enabled when the terminal is closed, and C5-01 is enabled when the terminal opens again. See [C5-01, C5-03 / C5-02, C5-04: ASR Proportional Gain 1, 2 / ASR Integral Time 1, 2 on page 173](#) for a more detailed description.

Setting 78: External torque reference polarity inversion

Reverses the direction of the torque reference when the terminal closes. Refer to [d5: Torque Control on page 188](#) and [Setting the Torque Reference, Speed Limit, and Torque Compensation Values on page 188](#) for details.

5.7 H: Terminal Functions

Setting 7A, 7B: KEB Ride-Thru 2 (N.C., N.O.)

An input terminal set to 7A or 7B can trigger Single Drive KEB Ride-Thru during deceleration. If enabled, L2-29 is disregarded. Refer to [KEB Ride-Thru Function on page 249](#) for details.

| Digital Input Function | Drive Operation | |
|------------------------|------------------------------|------------------------------|
| | Input Open | Input Closed |
| Setting 7A (N.C.) | Single Drive KEB Ride-Thru 2 | Normal operation |
| Setting 7B (N.O.) | Normal operation | Single Drive KEB Ride-Thru 2 |

Note: KEB Ride-Thru 1 and 2 cannot both be assigned to the input terminals at the same time. Doing so will trigger an oPE3 error.

Setting 7C, 7D: Short Circuit Braking (N.O., N.C.) (OLV/PM, AOLV/PM)

An input programmed for this function can be used to activate Short Circuit Braking in Open Loop Vector control modes for PM motors. By linking all three phases of a PM motor, Short Circuit Braking creates a braking torque that can be used to stop a rotating motor or prevent a motor from coasting due to external forces (such as the windmill effect in fan applications). Parameter b2-18 can be used to limit the current during Short Circuit Braking.

| Digital Input Function | Drive Operation | |
|------------------------|-----------------------|-----------------------|
| | Input Open | Input Closed |
| Setting 7C (N.O.) | Normal operation | Short Circuit Braking |
| Setting 7D (N.C.) | Short-Circuit Braking | Normal operation |

Setting 7E: Forward/reverse detection (for V/f Control with Simple PG Feedback)

When a digital input is programmed for this function, the input determines the motor rotation direction for V/f Control with Simple PG feedback (A1-02 = 0 and H6-01 = 3). If the input is open, the speed feedback signal is considered to be forward. If the input is closed, it is considered to be in reverse. [Refer to H6: Pulse Train Input/Output on page 241](#).

Setting 7F: Bi-Directional PID Output Selection

If PID output to bi-directional output conversion is enabled in parameter d4-11, a digital input programmed for 7F can be used to switch between normal output or bi-directional output. If the digital input is open, the PID output builds the output frequency reference.

If the input is closed, the PID output is converted to bi-directional output frequency reference. Refer to [d4-11: Bi-Directional Output Selection on page 187](#).

Setting 90 to 97: DriveWorksEZ Digital Input 1 to 8

These settings are for digital inputs functions used in DriveWorksEZ. Normally there is no need to change these settings.

Setting 9F: DriveWorksEZ Disable

This function is used to enable or disable a DriveWorksEZ program in the drive. An input programmed for this function is effective only if A1-07 = 2.

| Status | Description |
|--------|-----------------------|
| Open | DriveWorksEZ enabled |
| Closed | DriveWorksEZ disabled |

◆ H2: Multi-Function Digital Outputs

■ H2-01 to H2-03: Terminal M1-M2, M3-M4, and M5-M6 Function Selection

The drive has three multi-function output terminals. [Table 5.38](#) lists the functions available for these terminals using H2-01, H2-02, and H2-03.

| No. | Parameter Name | Setting Range | Default |
|-------|-----------------------------------|---------------|------------------|
| H2-01 | Terminal M1-M2 Function Selection | 0 to 192 | 0: During run |
| H2-02 | Terminal M3-M4 Function Selection | 0 to 192 | 1: Zero Speed |
| H2-03 | Terminal M5-M6 Function Selection | 0 to 192 | 2: Speed agree 1 |

Table 5.38 Multi-Function Digital Output Terminal Settings

| Setting | Function | Page | Setting | Function | Page |
|---------|----------------------------|------|------------|---------------------------------------|------|
| 0 | During run | 225 | 1D | During regeneration | 231 |
| 1 | Zero Speed | 225 | 1E | Restart enabled | 231 |
| 2 | Speed agree 1 | 226 | 1F | Motor overload alarm (oL1) | 231 |
| 3 | User-set speed agree 1 | 226 | 20 | Drive overhear pre-alarm (oH) | 231 |
| 4 | Frequency detection 1 | 227 | 22 | Mechanical Weakening detection | 231 |
| 5 | Frequency detection 2 | 227 | 2F | Maintenance period | 232 |
| 6 | Drive ready | 227 | 30 | During torque limit | 232 |
| 7 | DC bus undervoltage | 228 | 31 | During speed limit | 232 |
| 8 | During baseblock (N.O.) | 228 | 32 | During speed limit in Torque Control | 232 |
| 9 | Frequency reference source | 228 | 33 | Zero Servo complete | 232 |
| A | Run command source | 228 | 37 | During frequency output | 232 |
| B | Torque detection 1 (N.O.) | 228 | 38 | Drive enabled | 232 |
| C | Frequency reference loss | 228 | 39 | Watt hour pulse output | 232 |
| D | Braking resistor fault | 228 | 3C | LOCAL/REMOTE Status | 233 |
| E | Fault | 228 | 3D | During Speed Search | 233 |
| F | Through mode | 229 | 3E | PID feedback low | 233 |
| 10 | Minor fault | 229 | 3F | PID feedback high | 233 |
| 11 | Fault reset command active | 229 | 4A | During KEB operation | 233 |
| 12 | Timer output | 229 | 4B | During Short Circuit Braking | 233 |
| 13 | Speed agree 2 | 229 | 4C | During Fast Stop | 233 |
| 14 | User-set speed agree 2 | 229 | 4D | oH pre-alarm time limit | 233 |
| 15 | Frequency detection 3 | 230 | 4E | Braking transistor fault (rr) | 233 |
| 16 | Frequency detection 4 | 230 | 4F | Braking resistor overhear (rH) | 233 |
| 17 | Torque detection 1 (N.C.) | 228 | 60 | Internal cooling fan alarm | 233 |
| 18 | Torque detection 2 (N.O.) | | 61 | Rotor Position Detection Completed | 233 |
| 19 | Torque detection 2 (N.C.) | 228 | 90 | DriveWorksEZ digital output 1 | 233 |
| 1A | During reverse | 231 | 91 | DriveWorksEZ digital output 2 | |
| 1B | During baseblock (N.C.) | 231 | 92 | DriveWorksEZ digital output 3 | |
| 1C | Motor 2 selection | 231 | 100 to 192 | Functions 0 to 92 with inverse output | 233 |

Setting 0: During Run

Output closes when the drive is outputting a voltage.

| Status | Description |
|--------|--|
| Open | Drive is stopped. |
| Closed | A Run command is input or the drive is during deceleration or during DC injection. |

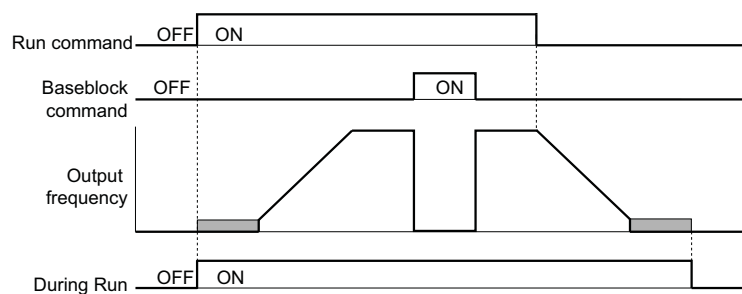


Figure 5.65 During Run Time Chart

Setting 1: Zero Speed

Terminal closes whenever the output frequency or motor speed (CLV, CLV/PM) falls below the minimum output frequency set to E1-09 or b2-01.

| Status | Description |
|--------|--|
| Open | Output frequency is above the minimum output frequency set to E1-09 or b2-01 |
| Closed | Output frequency is less than the minimum output frequency set to E1-09 or b2-01 |

Note: When using CLV or CLV/PM control modes, the zero speed level is defined by b2-01. In all other control modes, the zero speed level is the minimum output frequency set to E1-09.

5.7 H: Terminal Functions

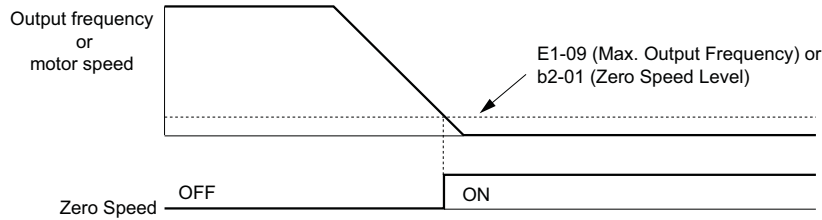


Figure 5.66 Zero-Speed Time Chart

Setting 2: Speed agree 1 (f_{ref}/f_{out} Agree 1)

Closes whenever the actual output frequency or motor speed (CLV, CLV/PM) is within the Speed Agree Width (L4-02) of the current frequency reference regardless of the direction.

| Status | Description |
|--------|--|
| Open | Output frequency or motor speed does not match the frequency reference while the drive is running. |
| Closed | Output frequency or motor speed is within the range of frequency reference \pm L4-02. |

Note: Detection works in both directions, forward and reverse.

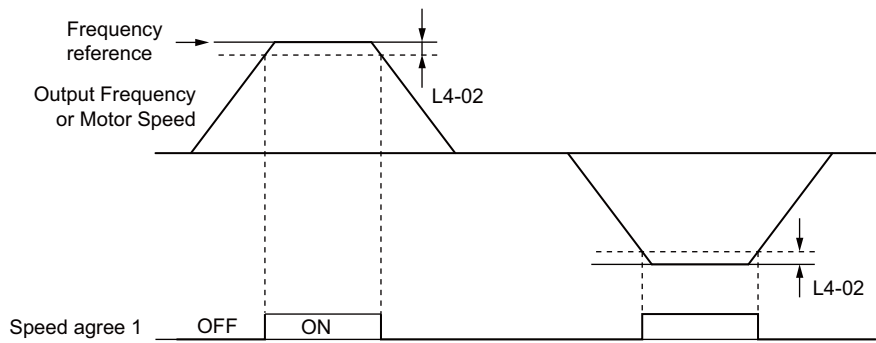


Figure 5.67 Speed Agree 1 Time Chart

Refer to L4-01, L4-02: Speed Agreement Detection Level and Detection Width on page 262 for more details.

Setting 3: User-set speed agree 1 (f_{ref}/f_{set} Agree 1)

Closes whenever the actual output frequency or motor speed (CLV, CLV/PM) and the frequency reference are within the speed agree width (L4-02) of the programmed speed agree level (L4-01).

| Status | Description |
|--------|---|
| Open | Output frequency or motor speed and frequency reference are not both within the range of L4-01 \pm L4-02. |
| Closed | Output frequency or motor speed and the frequency reference are both within the range of L4-01 \pm L4-02. |

Note: Frequency detection works in both forward and reverse. The value of L4-01 is used as the detection level for both directions.

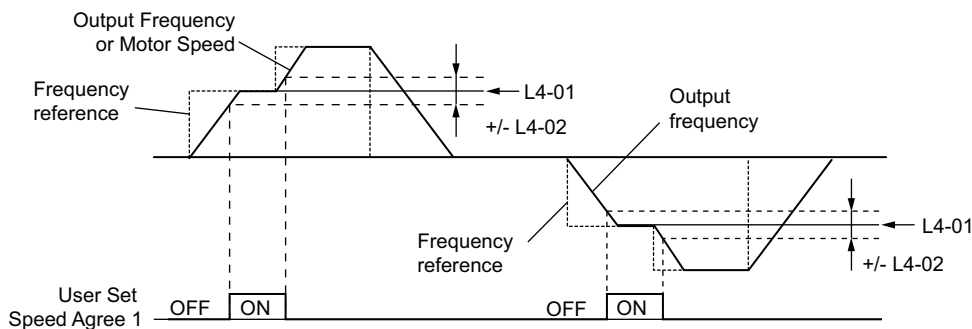


Figure 5.68 User Set Speed Agree 1 Time Chart

Refer to L4-01, L4-02: Speed Agreement Detection Level and Detection Width on page 262 for more instructions.

Setting 4: Frequency Detection 1

Output opens when the output frequency or motor speed (CLV, CLV/PM) rises above the detection level set in L4-01 plus the detection width set in L4-02. The terminal remains open until the output frequency or motor speed falls below the level set in L4-01.

| Status | Description |
|--------|--|
| Open | Output frequency or motor speed exceeded $L4-01 + L4-02$. |
| Closed | Output frequency or motor speed is below $L4-01$ or has not exceeded $L4-01 + L4-02$. |

Note: Frequency detection works in both forward and reverse. The value of L4-01 is used as the detection level for both directions.

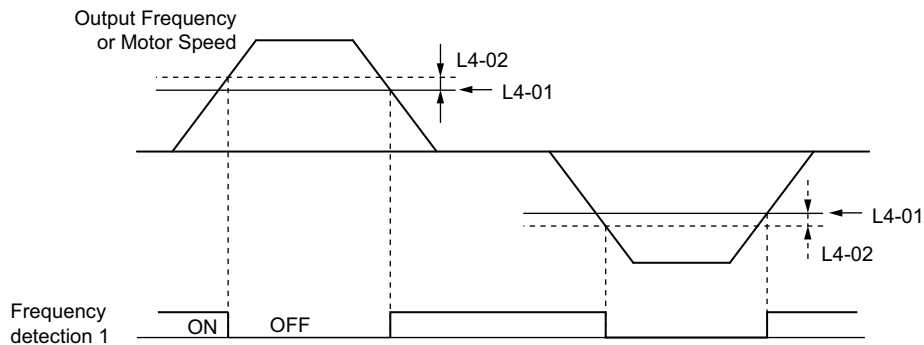


Figure 5.69 Frequency Detection 1 Time Chart

Refer to *L4-01, L4-02: Speed Agreement Detection Level and Detection Width* on page 262 for more details.

Setting 5: Frequency Detection 2

Output closes whenever the output frequency or motor speed (CLV, CLV/PM) is above the detection level set in L4-01. The terminal remains closed until the output frequency or motor speed falls below $L4-01$ minus the setting of L4-02.

| Status | Description |
|--------|--|
| Open | Output frequency or motor speed is below $L4-01$ minus $L4-02$ or has not exceeded $L4-01$. |
| Closed | Output frequency or motor speed exceeded $L4-01$. |

Note: Frequency detection works in both forward and reverse. The value of L4-01 is used as the detection level for both directions.

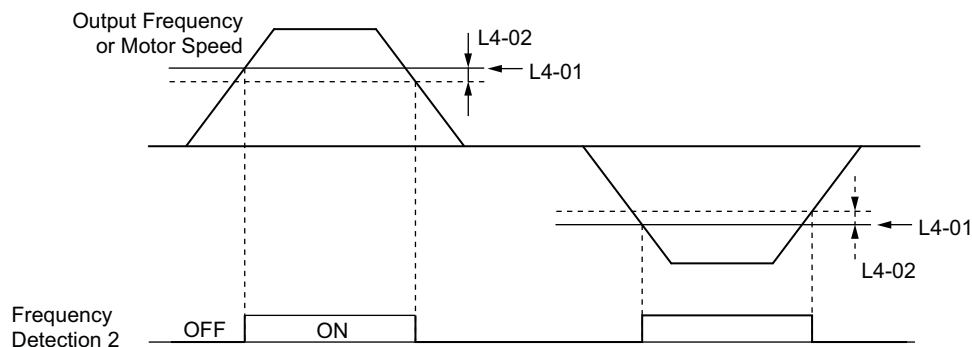


Figure 5.70 Frequency Detection 2 Time Chart

Refer to *L4-01, L4-02: Speed Agreement Detection Level and Detection Width* on page 262 for more details.

Setting 6: Drive ready

Output closes whenever the drive is ready to operate the motor. The terminal will not close under the conditions listed below, and any Run commands will be disregarded.

- When the power is shut off
- During a fault
- When the drive's internal power supply has malfunctioned
- When a parameter setting error makes it impossible to run
- Although stopped, an overvoltage or undervoltage situation occurs
- While editing a parameter in the Programming Mode (when $b1-08 = 0$)

5.7 H: Terminal Functions

Setting 7: DC bus undervoltage

Output closes whenever the DC bus voltage or control circuit power supply drops below the trip level set in L2-05. A fault in the DC bus circuit will also cause the terminal to set for “DC bus undervoltage” to close.

| Status | Description |
|--------|--|
| Open | DC bus voltage is above the level set to L2-05 |
| Closed | DC bus voltage has fallen below the trip level set to L2-05. |

Setting 8: During baseblock (N.O.)

Output closes to indicate that the drive is in a baseblock state. While in baseblock, output transistors do not switch and no main circuit voltage is output.

| Status | Description |
|--------|------------------------------------|
| Open | Drive is not in a baseblock state. |
| Closed | Baseblock is being executed. |

Setting 9: Frequency reference source

A digital output programmed for this function shows the frequency reference source that is currently selected.

| Status | Description |
|--------|---|
| Open | Frequency reference is provided from External reference 1 (b1-01) or External reference 2 (b1-15) |
| Closed | Frequency reference is being sourced from the digital operator. |

Setting A: Run command source

A digital output programmed for this function shows the Run command source that is currently selected.

| Status | Description |
|--------|---|
| Open | Run command is provided from External reference 1 (b1-02) or 2 (b1-16). |
| Closed | Run command is being sourced from the digital operator. |

Setting B, 17, 18, 19: Torque detection 1 (N.O., N.C.), Torque detection 2 (N.O., N.C.)

These digital output functions can be used to signal an overtorque or undertorque situation to an external device.

Set up the torque detection levels and select the output function from the table below. [Refer to L6: Torque Detection on page 264](#) for details.

| Setting | Status | Description |
|---------|--------|---|
| B | Closed | Torque detection 1 (N.O.): Output current/torque exceeds (overtorque detection) or is below (undertorque detection) the torque value set in parameter L6-02 for longer than the time specified in parameter L6-03. |
| 17 | Open | Torque detection 1 (N.C.): Output current/torque exceeds (overtorque detection) or is below (undertorque detection) the torque value set in parameter L6-02 for longer than the time specified in parameter L6-03. |
| 18 | Closed | Torque detection 2 (N.O.): Output current/torque exceeds (overtorque detection) or is below (undertorque detection) the torque value set in parameter L6-05 for longer than the time specified in parameter L6-06. |
| 19 | Open | Torque detection 2 (N.C.): Output current/torque exceeds (overtorque detection) or is below (undertorque detection) the torque value set in parameter L6-05 for longer than the time specified in parameter L6-06. |

Setting C: Frequency reference loss

An output set for this function will be closed if frequency reference loss is detected. [Refer to L4-05: Frequency Reference Loss Detection Selection on page 262](#) for details.

Setting D: Braking resistor fault

An output programmed for this function will close when the dynamic braking resistor (DB) overheats or the braking transistor is in a fault condition.

Setting E: Fault

The digital output will close whenever the drive experiences a fault (this excludes faults CPF00 and CPF01).

Setting F: Through mode

Select this setting when using the terminal in a pass-through mode. When set to F, an output does not trigger any function in the drive. Setting F, however, still allows the output status to be read by a PLC via a communication option or MEMOBUS/Modbus communications.

Setting 10: Minor fault

Output closes when a minor fault condition is present.

Setting 11: Fault reset command active

Output closes whenever there is an attempt to reset a fault situation from the control circuit terminals, via serial communications, or using a communications option card.

Setting 12: Timer output

This setting configures a digital output terminal as output for the timer function. *Refer to b4: Delay Timers on page 151* for details.

Setting 13: Speed agree 2 (f_{ref}/f_{out} agree 2)

Closes whenever the actual output frequency or motor speed (CLV, CLV/PM) is within the speed agree width (L4-04) of the current frequency reference, regardless of the direction.

| Status | Description |
|--------|--|
| Open | Output frequency or motor speed does not match the frequency reference while the drive is running. |
| Closed | Output frequency or motor speed is within the range of frequency reference $\pm L4-04$. |

Note: Detection works in both forward and reverse.

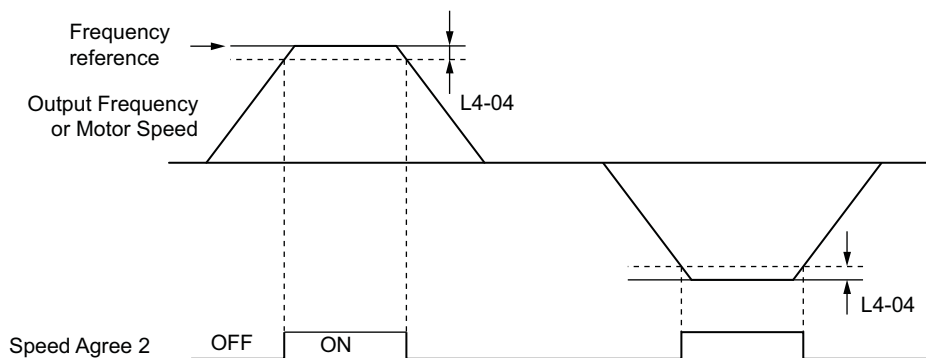


Figure 5.71 Speed Agree 2 Time Chart

Refer to L4-03, L4-04: Speed Agreement Detection Level and Detection Width (+/-) on page 262 for more details.

Setting 14: User-set speed agree 2 (f_{ref}/f_{set} agree 2)

Closes whenever the actual output frequency or motor speed (CLV, CLV/PM) and the frequency reference are within the speed agree width (L4-04) of the programmed speed agree level (L4-03). As the detection level L4-03 is a signed value, detection works in the specified direction only.

| Status | Description |
|--------|--|
| Open | Output frequency or motor speed and frequency reference are both outside the range of $L4-03 \pm L4-04$ |
| Closed | Output frequency or motor speed and the frequency reference are both within the range of $L4-03 \pm L4-04$ |

5.7 H: Terminal Functions

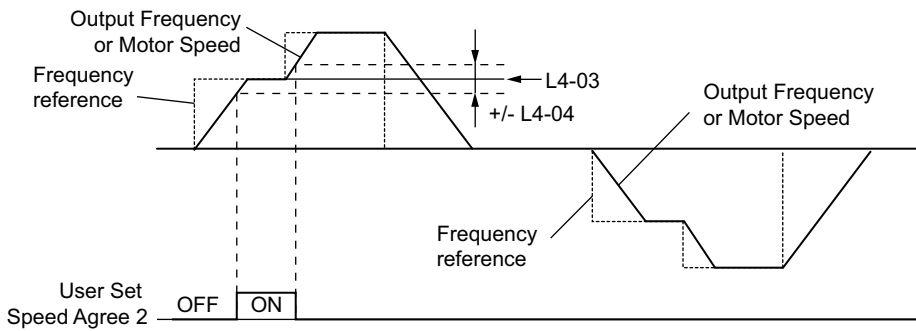


Figure 5.72 User Set Speed Agree 2 Example with a Positive L3-04 Value

Refer to [L4-03, L4-04: Speed Agreement Detection Level and Detection Width \(+/-\)](#) on page 262 for more details.

Setting 15: Frequency detection 3

Output opens when the output frequency or motor speed (CLV, CLV/PM) rises above the detection level set in L4-03 plus the detection width set in L4-04. The terminal remains open until the output frequency or motor speed falls below the level set in L4-03. As the detection level L4-03 is a signed value, the detection works in the specified direction only.

| Status | Description |
|--------|--|
| Open | Output frequency or motor speed exceeded L4-03 plus L4-04. |
| Closed | Output frequency or motor speed is below L4-03 or has not exceeded L4-03 plus L4-04 yet. |

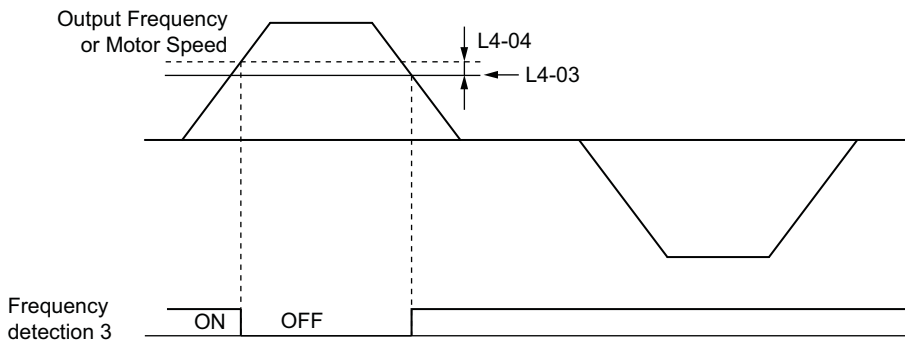


Figure 5.73 Frequency Detection 3 Example with a Positive L3-04 Value

Refer to [L4-03, L4-04: Speed Agreement Detection Level and Detection Width \(+/-\)](#) on page 262 for more details.

Setting 16: Frequency detection 4

Output closes whenever the output frequency or motor speed (CLV, CLV/PM) is above the detection level set in L4-03. The terminal remains closed until the output frequency or motor speed falls below L4-03 minus the setting of L4-04. As the detection level L4-03 is a signed value, frequency detection works in the specified direction only.

| Status | Description |
|--------|---|
| Open | Output frequency or motor speed is below L4-03 minus L4-04 or has not exceeded L4-03 yet. |
| Closed | Output frequency or motor speed exceeded L4-03. |

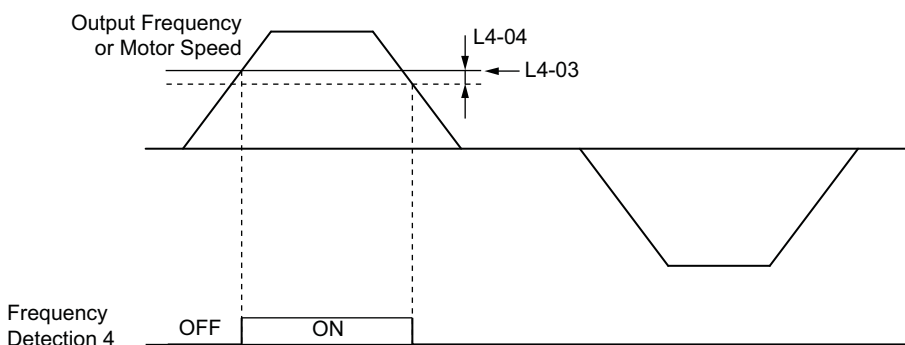


Figure 5.74 Frequency Detection 4 Example with Positive L3-04 Value

Refer to [L4-03, L4-04: Speed Agreement Detection Level and Detection Width \(+/-\)](#) on page 262 for more details.

Setting 1A: During reverse

A digital output set for “During reverse” will close whenever the drive is running the motor in the reverse direction.

| Status | Description |
|--------|--|
| Open | Motor is being driven in the forward direction or stopped. |
| Closed | Motor is being driven in reverse. |

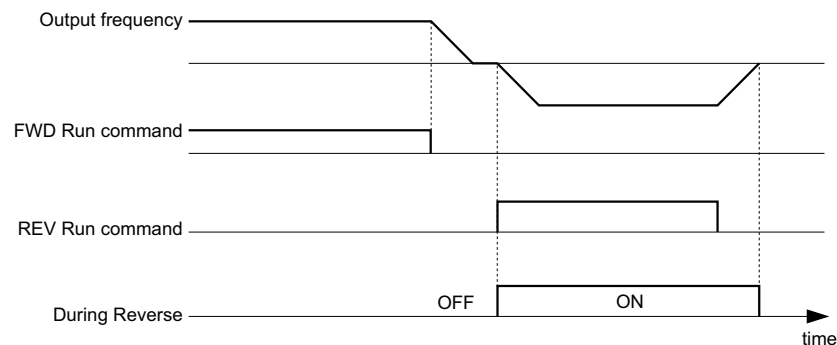


Figure 5.75 Reverse Direction Output Example Time Chart

Setting 1B: During baseblock (N.C.)

Output opens to indicate that the drive is in a baseblock state. While Baseblock is executed, output transistors do not switch and no main circuit voltage is output.

| Status | Description |
|--------|------------------------------------|
| Open | Baseblock is being executed. |
| Closed | Drive is not in a baseblock state. |

Setting 1C: Motor 2 selection

Indicates which motor is selected when another output terminal is set up to switch drive operation between two motors (H1-□□ = 16). [Refer to Setting 16: Motor 2 selection on page 219](#) for details on switching motors.

| Status | Description |
|--------|----------------------|
| Open | Motor 1 is selected. |
| Closed | Motor 2 is selected. |

Setting 1D: During regeneration

Terminal closes when the motor is driven in the regenerative mode.

Setting 1E: Restart enabled

An output set for “Restart enabled” closes once the drive begins attempting to restart after a fault has occurred.

The fault restart function allows the drive to automatically clear a fault. The terminal set to 1E will close after the fault is cleared and the drive has begun attempting to restart. If the drive cannot successfully restart within the number of attempts permitted by L5-01, then a fault will be triggered and the terminal set to 1E will open. [Refer to L5: Fault Restart on page 263](#) for details on automatic restart.

Setting 1F: Motor overload alarm (oL1)

An output programmed for this function will close when the motor overload level estimated by the oL1 fault detection exceeds 90% of the oL1 detection level. [Refer to L1-01: Motor Overload Protection Selection on page 244](#).

Setting 20: Drive overhear pre-alarm (oH)

Output closes whenever the drive heatsink temperature reaches the level specified by parameter L8-02. [Refer to L8-02: Overheat Alarm Level on page 269](#) for details on drive overheat detection.

Setting 22: Mechanical weakening detection

Output closes when a mechanical weakening situation is detected. [Refer to Mechanical Weakening Detection on page 266](#) for details.

5.7 H: Terminal Functions

Setting 2F: Maintenance period

Output closes when the cooling fan, DC bus capacitors, or DC bus pre-charge relay may require maintenance as determined by the estimated performance life span of those components. Components performance life is displayed as a percentage on the digital operator screen. *Refer to Periodic Maintenance on page 349.*

Setting 30: During torque limit

Output closes when the motor is operating at the torque limit specified by the L7-□□ parameters or an analog input. This setting can only be used in OLV, CLV, AOLV/PM and CLV/PM control modes. *Refer to L7-01 to L7-04: Torque Limits on page 268* for details.

Setting 31: During speed limit

Output closes when the speed limit has been reached. This function can be used in CLV and CLV/PM control modes.

| Status | Description |
|--------|--|
| Open | The conditions described below are not present. |
| Closed | <ol style="list-style-type: none"> 1. The frequency reference has reached the upper limit set in d2-01. 2. The frequency reference has fallen to the lower limit set in d2-02 or d2-03. 3. Parameter b1-05 is set to 1, 2, or 3, and the frequency reference has fallen below the minimum output frequency (E1-09). |

Setting 32: During speed limit in Torque Control

The motor torque and load torque are not in balance, causing the motor to accelerate. An output terminal set to 32 closes when the motor reaches the speed limit. Refer to *d5: Torque Control on page 188* and *Indicating Operation at the Speed Limit on page 190* for details.

Setting 33: Zero Servo complete

Output closes when Zero Servo is enabled and the load is locked into position within the allowable deviation (b9-02). For how Zero Servo operates, see *b9: Zero Servo on page 164*.

Setting 37: During frequency output

Output closes when the drive is outputting a frequency.

| Status | Description |
|--------|--|
| Open | Drive is stopped or one of the following functions is being performed: baseblock, DC Injection Braking, Short Circuit Braking. |
| Closed | Drive is outputting frequency. |

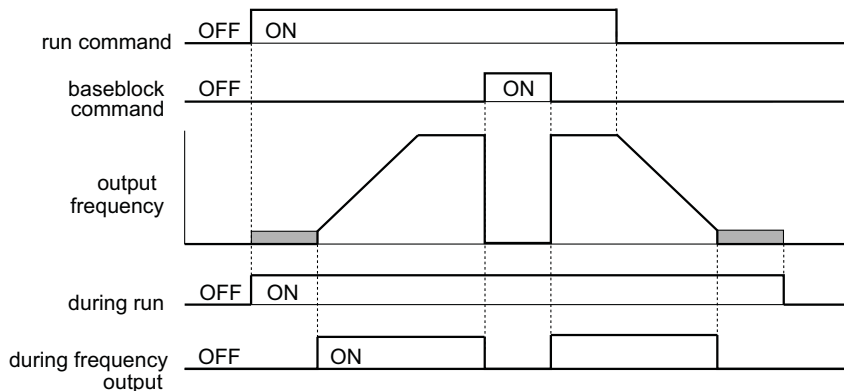


Figure 5.76 During Frequency Output Time Chart

Setting 38: Drive enable

A digital output set for “Drive enable” will reflect the status of a digital input configured as a “Drive enable” input (H1-□□ = 6A). If that digital input closes, then the digital output set for “Drive enable” will also close.

Setting 39: Watt hour pulse output

Outputs a pulse to indicate the watt hours. *Refer to H2-06: Watt Hour Output Unit Selection on page 234* for details.

Setting 3C: LOCAL/REMOTE status

Output terminal closes while the drive is set for LOCAL and opens when in REMOTE.

| Status | Description |
|--------|---|
| Open | REMOTE: The external reference that has been selected (either b1-01 and b1-02 or b1-15 and b1-16) is used as frequency reference and Run command source |
| Closed | LOCAL: The digital operator is used as frequency reference and Run command source |

Setting 3D: During Speed Search

Output terminal closes while Speed Search is being performed. [Refer to b3: Speed Search on page 146](#) for details.

Setting 3E: PID feedback low

Output terminal closes when a PID feedback loss is detected. The feedback is considered to be lost if it falls below the level set to b5-13 for longer than the time set to b5-14. [Refer to PID Feedback Loss Detection on page 156](#) for details.

Setting 3F: PID feedback high

Output terminal closes when a PID feedback loss is detected. The feedback is considered to be lost if it rises beyond the level set to b5-36 for longer than the time set to b5-37. [Refer to PID Feedback Loss Detection on page 156](#) for details.

Setting 4A: During KEB operation

Output terminal closes while KEB is being performed. [Refer to KEB Ride-Thru Function on page 249](#) for a KEB function description.

Setting 4B: During Short Circuit Braking

Output terminal closes while Short Circuit Braking is being executed.

Setting 4C: During Fast Stop

Output terminal closes when a Fast Stop is being executed. [Setting 15, 17: Fast Stop \(N.O., N.C.\) on page 218](#).

Setting 4D: oH pre-alarm time limit

Output terminal closes when the drive is reducing the speed due to a drive overheat alarm (L8-03 = 4) and the overheat alarm has not disappeared after ten frequency reduction operation cycles. [Refer to L8-03: Overheat Pre-Alarm Operation Selection on page 269](#) for a more detailed description.

Setting 4E: Braking transistor fault (rr)

Output closes if the drive's internal braking transistor reaches the overheat level.

Setting 4F: Braking resistor overheat (rH)

The braking resistor may overheat due to motor regeneration or too short of a deceleration time setting. The output terminal closes when the braking resistor exceeds the overheat level.

Setting 60: Internal cooling fan alarm

Output closes when the drive's internal cooling fan has failed.

Setting 61: Rotor position detection complete

After the Run command is given, the output terminal signals that the drive has detected the rotor position (PM motors).

Setting 90 to 92: DriveWorksEZ digital output 1 to 3

These settings are for output functions used in DriveWorksEZ. Normally there is no need to change these settings.

Setting 100 to 192: Functions 0 to 92 with inverse output

These settings have the same function as settings 0 to 92 but with inverse output. Set as 1□□, where the "1" indicates inverse output and the last two digits specify the setting number of the function.

Examples:

- For inverse output of "8: During baseblock", set 108.
- For inverse output of "4A: During KEB" set 14A.

5.7 H: Terminal Functions

■ H2-06: Watt Hour Output Unit Selection

When one of the multi-function terminals is set to output the number of watt hours (H2-01, H2-02, or H2-03 = 39), parameter H2-06 determines the units for the output signal.

This output function provides a watt hour meter or a PLC input by a 200 ms pulse signal. H2-06 determines the frequency that pulses are issued to keep track of the kWh for the drive.

| No. | Parameter Name | Setting Range | Default |
|-------|---------------------------------|--|---------|
| H2-06 | Watt Hour Output Unit Selection | 0: 0.1 kWh units 1: 1 kWh units 2: 10 kWh units 3: 100 kWh units 4: 1000 kWh units | 0 |

- Note:**
1. A negative power output (i.e., regeneration) does not subtract from the total watt hours.
 2. The drive keeps track of the watt hours as long as the control circuit has power. The value is reset when the power supply is shut off.

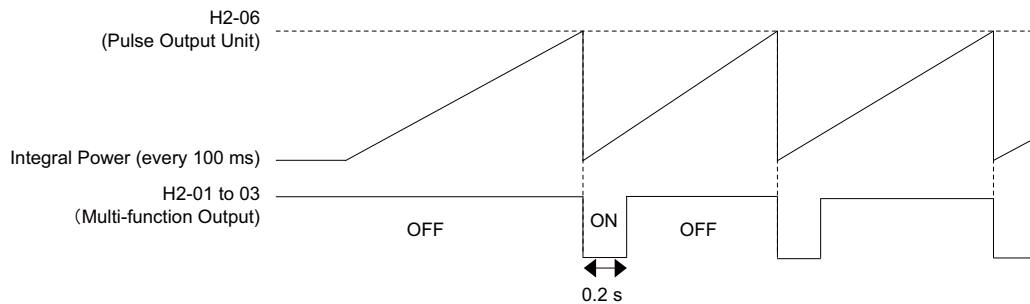


Figure 5.77 Watt Hour Output Example

◆ H3: Multi-Function Analog Inputs

The drive is equipped with three multi-function analog input terminals: A1, A2, and A3. See [Table 5.39](#) for a listing of the functions that can be set to these terminals.

■ H3-01: Terminal A1 Signal Level Selection

Selects the input signal level for analog input A1.

| No. | Name | Setting Range | Default |
|-------|------------------------------------|---------------|---------|
| H3-01 | Terminal A1 Signal Level Selection | 0 to 1 | 0 |

Setting 0: 0 to 10 Vdc

The input level is 0 to 10 Vdc. The minimum input level is limited to 0%, so that a negative input signal due to gain and bias settings will be simply read as 0%.

Setting 1: -10 to 10 Vdc

The input level is -10 to 10 Vdc. If the resulting voltage is negative after being adjusted by gain and bias settings, then the motor will rotate in reverse.

■ H3-02: Terminal A1 Function Selection

Determines the function assigned to analog input terminal A1. [Refer to Multi-Function Analog Input Terminal Settings on page 237](#) for instructions on how to adjust the signal level.

| No. | Name | Setting Range | Default |
|-------|--------------------------------|---------------|---------|
| H3-02 | Terminal A1 Function Selection | 0 to 31 | 0 |

■ H3-03, H3-04: Terminal A1 Gain and Bias Settings

Parameter H3-03 sets the level of the selected input value that is equal to 10 Vdc input at terminal A1 (gain).

Parameter H3-04 sets the level of the selected input value that is equal to 0 V input at terminal A1 (bias).

Both can be used to adjust the characteristics of the analog input signal to terminal A1.

| No. | Name | Setting Range | Default |
|-------|--------------------------|------------------|---------|
| H3-03 | Terminal A1 Gain Setting | -999.9 to 999.9% | 100.0% |
| H3-04 | Terminal A1 Bias Setting | -999.9 to 999.9% | 0.0% |

Setting Examples

- Gain H3-03 = 200%, bias H3-04 = 0, terminal A1 as frequency reference input (H3-02 = 0):

An input 10 Vdc will be equivalent to a 200% frequency reference and 5 Vdc will be equivalent to a 100% frequency reference. Since the drive output is limited by the maximum frequency parameter (E1-04), the frequency reference will be equal to E1-04 above 5 Vdc.

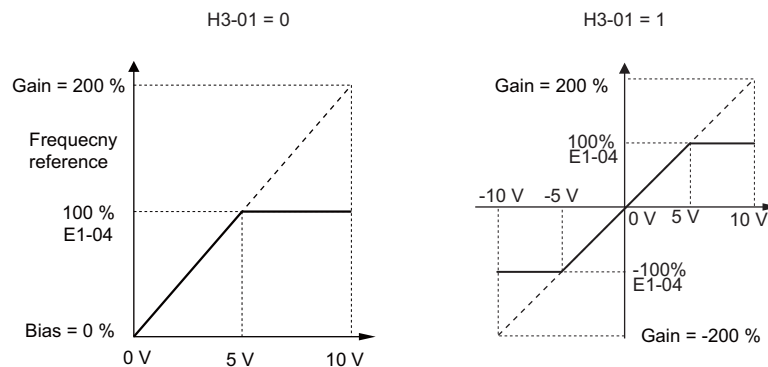


Figure 5.78 Frequency Reference Setting by Analog Input with Increased Gain

- Gain H3-03 = 100%, bias H3-04 = -25%, terminal A1 as frequency reference input:

An input of 0 Vdc will be equivalent to a -25% frequency reference.

When parameter H3-01 = 0, the frequency reference is 0% between 0 and 2 Vdc input.

When parameter H3-01 = 1, the motor will rotate in reverse between -10 and 2 Vdc input.

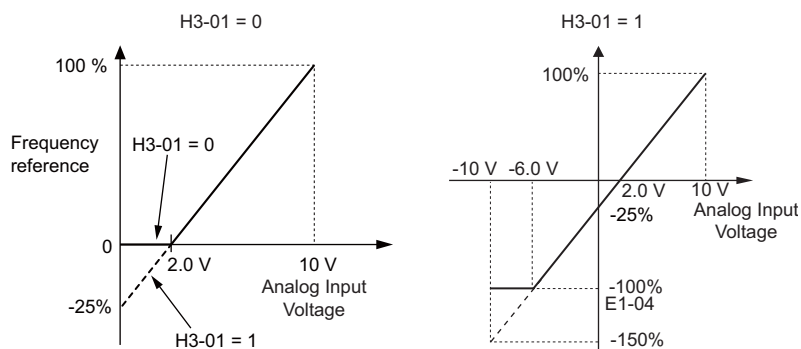


Figure 5.79 Frequency Reference Setting by Analog Input with Negative Bias

■ H3-05: Terminal A3 Signal Level Selection

Selects the input signal level for analog input A3. [Refer to Multi-Function Analog Input Terminal Settings on page 237](#) for a list of functions and descriptions.

| No. | Name | Setting Range | Default |
|-------|------------------------------------|---------------|---------|
| H3-05 | Terminal A3 Signal Level Selection | 0, 1 | 0 |

Setting 0: 0 to 10 Vdc

The input level is 0 to 10 Vdc. See the explanation provided for H3-01. [Refer to Setting 0: 0 to 10 Vdc on page 234.](#)

Setting 1: -10 V to 10 Vdc

The input level is -10 to 10 Vdc. See the explanation provided for H3-01. [Refer to Setting 1: -10 to 10 Vdc on page 234.](#)

■ H3-06: Terminal A3 Function Selection

Determines the function assigned to analog input terminal A3. [Refer to Multi-Function Analog Input Terminal Settings on page 237](#) for a list of functions and descriptions.

5.7 H: Terminal Functions

When analog input A3 is used as PTC input set H3-06 = E and make sure switch S4 on the terminal board is set for PTC input. Also refer to [Terminal A3 Analog/PTC Input Selection on page 79](#).

| No. | Name | Setting Range | Default |
|-------|--------------------------------|---------------|---------|
| H3-06 | Terminal A3 Function Selection | 0 to 31 | 2 |

■ H3-07, H3-08: Terminal A3 Gain and Bias Setting

Parameter H3-07 sets the level of the selected input value that is equal to 10 Vdc input at terminal A3 (gain).

Parameter H3-08 sets the level of the selected input value that is equal to 0 V input at terminal A3 (bias).

| No. | Name | Setting Range | Default |
|-------|--------------------------|------------------|---------|
| H3-07 | Terminal A3 Gain Setting | -999.9 to 999.9% | 100.0% |
| H3-08 | Terminal A3 Bias Setting | -999.9 to 999.9% | 0.0% |

■ H3-09: Terminal A2 Signal Level Selection

Selects the input signal level for analog input A2. Be sure to also set DIP switch S1 on the terminal board accordingly for a voltage input or current input.

| No. | Name | Setting Range | Default |
|-------|------------------------------------|---------------|---------|
| H3-09 | Terminal A2 Signal Level Selection | 0 to 3 | 2 |

Setting 0: 0 to 10 Vdc

The input level is 0 to 10 Vdc. [Refer to Setting 0: 0 to 10 Vdc on page 234](#)

Setting 1: -10 to 10 Vdc

The input level is -10 to 10 Vdc. [Refer to Setting 1: -10 to 10 Vdc on page 234](#).

Setting 2: 4 to 20 mA Current Input

The input level is 4 to 20 mA. Negative input values by negative bias or gain settings will be limited to 0%.

Setting 3: 0 to 20 mA Current Input

The input level is 0 to 20 mA. Negative input values by negative bias or gain settings will be limited to 0%.

■ H3-10: Terminal A2 Function Selection

Determines the function assigned to analog input terminal A2. [Refer to Multi-Function Analog Input Terminal Settings on page 237](#) for a list of functions and descriptions.

| No. | Name | Setting Range | Default |
|-------|--------------------------------|---------------|---------|
| H3-10 | Terminal A2 Function Selection | 0 to 31 | 0 |

■ H3-11, H3-12: Terminal A2 Gain and Bias Setting

Parameter H3-11 sets the level of the input value selected that is equal to 10 Vdc input or 20 mA input to terminal A2.

Parameter H3-12 sets the level of the input value selected that is equal to 0 V, 4 mA or 0 mA input at terminal A2.

Both can be used to adjust the characteristics of the analog input signal to terminal A2. The setting works in the same way as parameters H3-03 and H3-04 for analog input A1.

| No. | Name | Setting Range | Default |
|-------|--------------------------|------------------|---------|
| H3-11 | Terminal A2 Gain Setting | -999.9 to 999.9% | 100.0% |
| H3-12 | Terminal A2 Bias Setting | -999.9 to 999.9% | 0.0% |

■ H3-13: Analog Input Filter Time Constant

Parameter H3-13 sets the time constant for a first order filter that will be applied to the analog inputs.

An analog input filter can be used to prevent erratic drive control when a “noisy” analog reference is used. The drive operation becomes more stable the longer the time programmed, but it becomes less responsive to rapidly changing analog signals.

| No. | Name | Setting Range | Default |
|-------|-----------------------------------|----------------|---------|
| H3-13 | Analog Input Filter Time Constant | 0.00 to 2.00 s | 0.03 s |

■ H3-14: Analog Input Terminal Enable Selection

When one of the multi-function digital input parameters is set for “Analog input enable” (H1-□□ = C), the value set to H3-14 determines which analog input terminals are enabled and which terminals are disabled when the input is closed. All analog input terminals will be enabled all of the time if H1-□□ is not set to C.

| No. | Name | Setting Range | Default |
|-------|--|---------------|---------|
| H3-14 | Analog Input Terminal Enable Selection | 1 to 7 | 7 |

Setting 1: A1 only enabled

Setting 2: A2 only enabled

Setting 3: A1 and A2 only enabled

Setting 4: A3 only enabled

Setting 5: A1 and A3 only enabled

Setting 6: A2 and A3 only enabled

Setting 7: All analog input terminals enabled

■ Multi-Function Analog Input Terminal Settings

See [Table 5.39](#) for information on how H3-02, H3-10, and H3-06 determine functions for terminals A1, A2, and A3.

Note: The scaling of all input functions depends on the gain and bias settings for the analog inputs. Set these to appropriate values when selecting and adjusting analog input functions.

Table 5.39 Multi-Function Analog Input Terminal Settings

| Setting | Function | Page | Setting | Function | Page |
|---------|------------------------------------|---------------------|---------|---|---------------------|
| 0 | Frequency bias | 237 | E | Motor temperature (PTC input) | 239 |
| 1 | Frequency gain | 237 | F | Through mode | 239 |
| 2 | Auxiliary frequency reference 1 | 237 | 10 | Forward torque limit | 239 |
| 3 | Auxiliary frequency reference 2 | 238 | 11 | Reverse Torque Limit | |
| 4 | Output voltage bias | 238 | 12 | Regenerative torque limit | |
| 5 | Accel/decel time gain | 238 | 13 | Torque limit using torque reference/speed limit | 239 |
| 6 | DC Injection Braking current | 238 | 14 | Torque compensation | 239 |
| 7 | Torque detection level | 238 | 15 | General torque limit | 239 |
| 8 | Stall Prevention level during run | 238 | 16 | Differential PID feedback | 239 |
| 9 | Output frequency lower limit level | 239 | 1F | Through mode | 239 |
| B | PID feedback | 239 | 30 | DriveWorksEZ analog input 1 | 239 |
| C | PID setpoint | 239 | 31 | DriveWorksEZ analog input 2 | |
| D | Frequency bias | 239 | 32 | DriveWorksEZ analog input 3 | |

Setting 0: Frequency bias

The input value of an analog input set to this function will be added to the analog frequency reference value. When the frequency reference is supplied by a different source other than the analog inputs, this function will have no effect. Use this setting also when only one of the analog inputs is used to supply the frequency reference.

By default, analog inputs A1 and A2 are set for this function. Using A1 and A2 at the same time increases the frequency reference by the total of all inputs.

Example: If the analog frequency reference from analog input terminal A1 is 50% and a bias of 20% is applied by analog input terminal A2, the resulting frequency reference will be 70% of the maximum output frequency.

Setting 1: Frequency gain

The input value of an analog input set to this function will be multiplied with the analog frequency reference value.

Example: If the analog frequency reference from analog input terminal A1 is 80% and a gain of 50% is applied from analog input terminal A2, the resulting frequency reference will be 40% of the maximum output frequency.

Setting 2: Auxiliary reference 1

Sets the auxiliary frequency reference 1 when multi-step speed operation is selected. [Refer to Multi-Step Speed Selection on page 180](#) for details.

5.7 H: Terminal Functions

Setting 3: Auxiliary reference 2

Sets the auxiliary frequency reference 2 when multi-step speed operation is selected. *Refer to Multi-Step Speed Selection on page 180* for details.

Setting 4: Output voltage bias

Voltage bias boosts the output voltage of the V/f curve as a percentage of the maximum output voltage (E1-05). Available only when using V/f Control.

Setting 5: Accel/decel time gain

Adjusts the gain level for the acceleration and deceleration times set to parameters C1-01 through C1-08.

The acceleration time used by the drive is calculated by multiplying the this gain level to C1-□□ as follows:

$C1-□□ \times \text{Accel/decel time gain} = \text{Drive accel/decel time}$

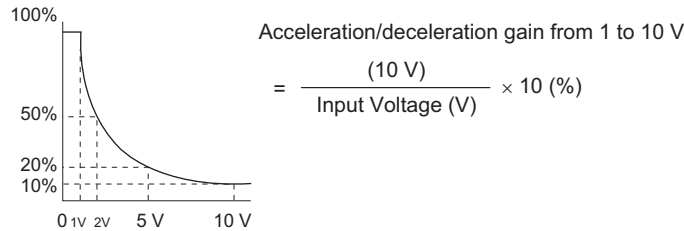


Figure 5.80 Accel/Decel Time Gain with Analog Input Terminal

Setting 6: DC Injection Braking current

The current level used for DC Injection Braking. Set as a percentage of the maximum output current using.

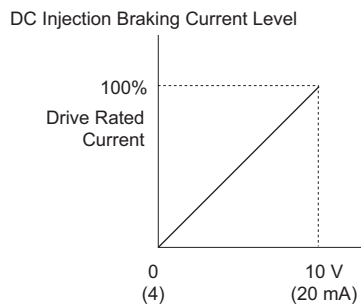


Figure 5.81 DC Injection Braking Current Using an Analog Input Terminal

Setting 7: Torque Detection level

Using this setting, the overtorque/undertorque detection level for torque detection 1 (L6-01) can be set by an analog input. The analog input will replace the level set to L6-02. An analog input of 100% (10 V or 20 mA) will set a torque detection level equal to 100% drive rated current / motor rated torque. Adjust the analog input gain if higher detection level settings are required. *Refer to L6: Torque Detection on page 264* for details on torque detection.

Setting 8: Stall Prevention level

This setting allows an analog input signal to adjust the Stall Prevention level. *Figure 5.82* shows the setting characteristics. The drive will use either the Stall Prevention level set to L3-06 or the level coming from the analog input terminal that has been selected, whichever value is lower.

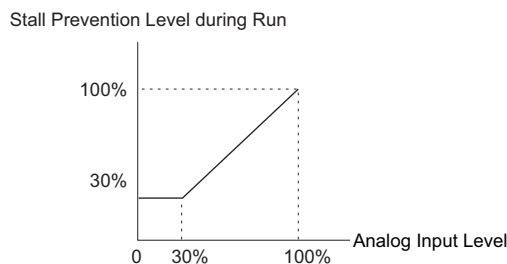


Figure 5.82 Stall Prevention During Run Using an Analog Input Terminal

Setting 9: Output frequency lower limit level

The user can adjust the lower limit of the output frequency using an analog input signal.

Setting B: PID feedback

An input set for this function supplies the PID feedback value. This setting requires PID operation to be enabled in b5-01. [Refer to PID Feedback Input Methods on page 153.](#)

Setting C: PID setpoint

An input set for this function supplies the PID setpoint value, and the frequency reference selected in parameter b1-01 is no longer the PID setpoint. PID operation to be enabled in b5-01 to use this setting. [Refer to PID Setpoint Input Methods on page 153.](#)

Setting D: Frequency bias

The input value of an analog input set to this function will be added to the frequency reference. This function can be used with any frequency reference source.

Setting E: Motor temperature

In addition to motor overload fault detection oL1, it is possible to use a PTC (Positive Temperature Coefficient) thermistor for motor insulation protection. Connect the PTC to analog input terminal A3, and set switch S4 on the terminal board to PTC. Refer to [Terminal A3 Analog/PTC Input Selection on page 79](#) for details on setting S4. Refer to [Motor Protection Using a Positive Temperature Coefficient \(PTC\) on page 247](#) for further explanation.

Setting F, 1F: Through mode

When set to F or 1F, an input does not affect any drive function, but the input level can still be read out by a PLC via a communication option or MEMOBUS/Modbus communications.

Setting 10, 11, 12, 15: Forward, Reverse, Regenerative, General torque limit (OLV, CLV, AOLV/PM, CLV/PM)

These functions can be used to set a torque limit using analog inputs for different operating conditions. Refer to [L7: Torque Limit on page 267](#) for details.

Setting 13: Torque Limit Using Torque Reference/Speed Limit

When using Torque Control, an analog input programmed to this function can set the torque reference (when in Torque Control) or the torque limit (when in Speed Control). Refer to [Setting the Torque Reference, Speed Limit, and Torque Compensation Values on page 188](#) for details.

Setting 14: Torque compensation

Used to set a torque compensation value when using Torque Control. Refer to [Setting the Torque Reference, Speed Limit, and Torque Compensation Values on page 188](#) for details.

Setting 16: Differential PID Feedback

If an analog value is set for this function, the PID controller is set for differential feedback. The subtraction of the PID feedback input value and the differential feedback input value builds the feedback value that is used to calculate the PID input. [Refer to PID Feedback Input Methods on page 153.](#)

Setting 30, 31, 32: DriveWorksEZ Analog Input 1, 2, 3

These settings are for functions used in DriveWorksEZ. Normally there is no need to change or apply these settings.

◆ H4: Multi-Function Analog Outputs

These parameters assign functions to analog output terminals FM and AM for monitoring a specific aspect of drive performance.

■ H4-01, H4-04: Multi-Function Analog Output Terminal FM, AM Monitor Selection

Sets the desired drive monitor parameter U□-□□ to output as an analog value via terminal FM and AM. [Refer to U: Monitor Parameters on page 291](#) for a list of all monitors. The “Analog Output Level” column indicates if a monitor can be used for analog output.

Example: Enter “103” for U1-03.

5.7 H: Terminal Functions

| No. | Name | Setting Range | Default |
|-------|--|---------------|---------|
| H4-01 | Multi-Function Analog Output Terminal FM Monitor Selection | 000 to 999 | 102 |
| H4-04 | Multi-Function Analog Output Terminal AM Monitor Selection | 000 to 999 | 103 |

A setting of 031 or 000 applies no drive monitor to the analog output. With this setting, terminal functions as well as FM and AM output levels can be set by a PLC via a communication option or MEMOBUS/Modbus (through mode).

■ H4-02, H4-03: Multi-Function Analog Output Terminal FM Gain and Bias H4-05, H4-06: Multi-Function Analog Output Terminal AM Gain and Bias

Parameter H4-02 and H4-05 set the terminal FM and AM output signal level when the value of the selected monitor is at 100%. Parameter H4-03 and H4-06 set the terminal FM and AM output signal level when the value of the selected monitor is at 0%. Both are set as a percentage, where 100% equals 10 Vdc or 20 mA analog output and 0% equals 0 V or 4 mA. The output voltage of both terminals is limited to +/-10 Vdc.

The output signal range can be selected between 0 to +10 Vdc, -10 to +10 Vdc, or 4 to 20 mA using parameter H4-07 and H4-08. [Figure 5.83](#) illustrates how gain and bias settings work.

| No. | Name | Setting Range | Default |
|-------|---|------------------|---------|
| H4-02 | Multi-Function Analog Output Terminal FM Gain | -999.9 to 999.9% | 100.0% |
| H4-03 | Multi-Function Analog Output Terminal FM Bias | -999.9 to 999.9% | 0.0% |
| H4-05 | Multi-Function Analog Output Terminal AM Gain | -999.9 to 999.9% | 50.0% |
| H4-06 | Multi-Function Analog Output Terminal AM Bias | -999.9 to 999.9% | 0.0% |

Using Gain and Bias to Adjust Output Signal Level

When viewing a gain setting parameter (H4-02 or H4-05) on the digital operator, the analog output will supply a voltage signal equal to 100% of the monitor value (including changes made from bias and gain settings). When viewing a bias setting parameter (H4-03 or H4-06), the analog output voltage will supply a signal equal to 0% monitor value.

Example 1: To have an output signal of 5 V at terminal FM when the monitored value is at 100%, set H4-02 to 50%.

Example 2: To have an output signal of 10 V at terminal FM when the monitored value is at 76.7%, set H4-02 to 150%.

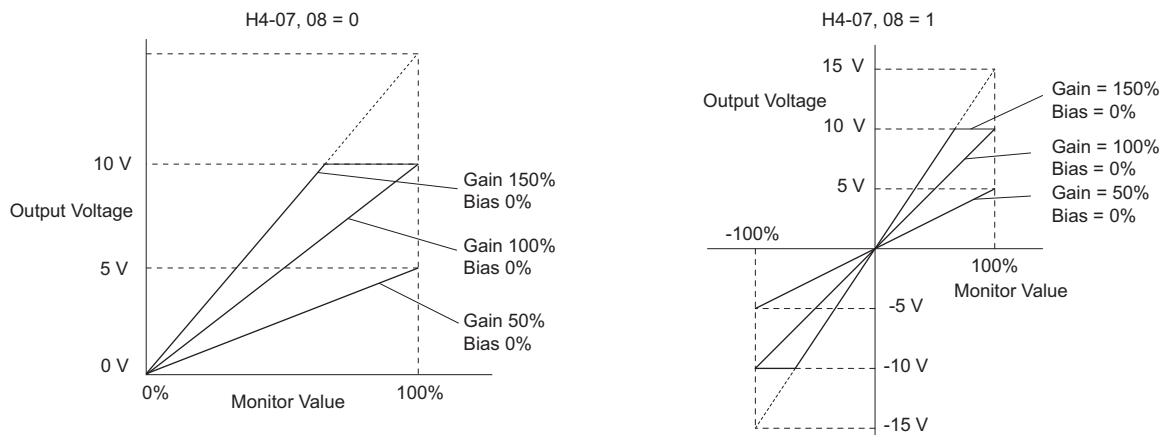


Figure 5.83 Analog Output Gain and Bias Setting Example 1 and 2

Example 3: To have an output signal of 3 V at terminal FM when the monitored value is at 0%, set H4-03 to 30%.

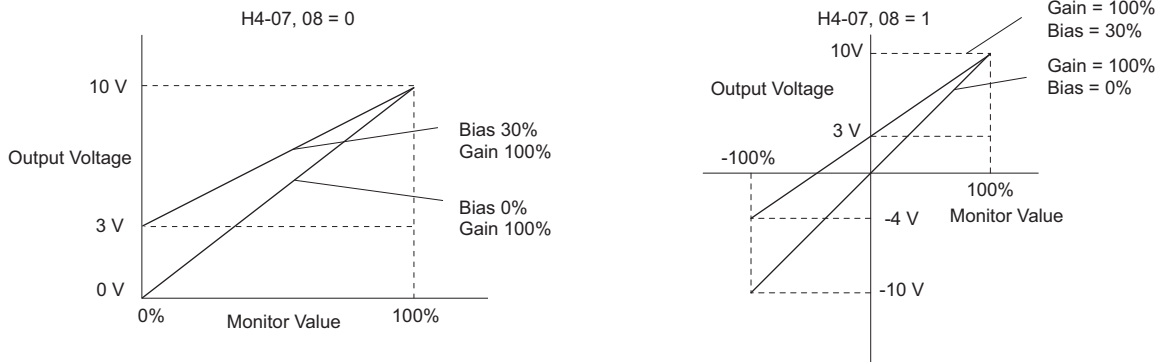


Figure 5.84 Analog Output Gain and Bias Setting Example 3

■ H4-07, H4-08: Multi-Function Analog Output Terminal FM, AM Signal Level Selection

Sets the voltage output level of U parameter (monitor parameter) data to terminal FM and terminal AM using parameters H4-07 and H4-08.

When changing the setting of these parameters make sure jumper S5 on the terminal board is set accordingly. Refer to [Terminal AM/FM Signal Selection on page 79](#) for details on setting S5.

| No. | Name | Setting Range | Default |
|-------|---|---------------|---------|
| H4-07 | Multi-Function Analog Output Terminal FM Signal Level Selection | 0 to 2 | 0 |
| H4-08 | Multi-Function Analog Output Terminal AM Signal Level Selection | 0 to 2 | 0 |

Setting 0: 0 to 10 V

Setting 1: -10 V to 10 V

Setting 2: 4 to 20 mA

◆ H5: MEMOBUS/Modbus Serial Communication

Through the drives built in RS-422/485 port (terminals R+, R-, S+, S-), serial communication is possible using programmable logic controllers (PLCs) or similar devices running the MEMOBUS/Modbus protocol.

The H5-□□ parameters are used to set up the drive for MEMOBUS/Modbus Communications. [Refer to MEMOBUS/Modbus Serial Communication on page 482](#) for detailed descriptions of the H5-□□ parameters.

◆ H6: Pulse Train Input/Output

A one track pulse train signal with a maximum frequency of 32 kHz can be input to the drive at terminal RP. This pulse train signal can be used as the frequency reference, for PID functions, or as the speed feedback signal in V/f Control.

The pulse output monitor terminal MP can output drive monitor values as a pulse train signal with a maximum frequency of 32 kHz. It can be used in sinking or sourcing mode. [Refer to Using the Pulse Train Output on page 78](#) for details.

Use parameters H6-□□ to set the scale and other aspects of the pulse input terminal RP and pulse output terminal MP.

■ H6-01: Pulse Train Input Terminal RP Function Selection

Selects the function of pulse train input terminal RP.

| No. | Name | Setting Range | Default |
|-------|--|---------------|---------|
| H6-01 | Pulse Train Input Terminal RP Function Selection | 0 to 3 | 0 |

Setting 0: Frequency reference

If the pulse input is set for this function and the frequency reference source is set to pulse input (b1-01, b1-15 = 4), the drive reads the frequency value from terminal RP.

5.7 H: Terminal Functions

Setting 1: PID feedback value

Using this setting, the feedback value for PID control can be supplied as a pulse signal at terminal RP. *Refer to b5: PID Control on page 152* for details on PID control.

Setting 2: PID setpoint value

Using this setting, the setpoint value for PID control can be supplied as a pulse signal at terminal RP. *Refer to b5: PID Control on page 152* for details on PID control.

Setting 3: Speed feedback (V/f Control with Simple Speed Feedback)

This setting can be used in V/f control to increase the speed control precision by using a motor speed feedback signal. The drive reads the speed feedback from terminal RP, compares it to the frequency reference and compensates the motor slip using a speed regulator (ASR, setup in the C5-□□ parameters) like shown in *Figure 5.82*. Because input terminal RP is incapable of detecting motor direction, a separate way of determining motor direction still needs to be set up:

1. Using a Digital Input

If a digital input programmed for “Forward/reverse detection” (H1-□□ = 7E) is closed, the drive assumes reverse rotation. If open, then the drive assumes that the motor is rotating forwards.

2. Using the Frequency Reference Direction

If no digital input is set to “Forward/reverse detection” (H1-□□ = 7E), the drive uses the direction of the frequency reference as the direction for the speed feedback detected at the pulse input.

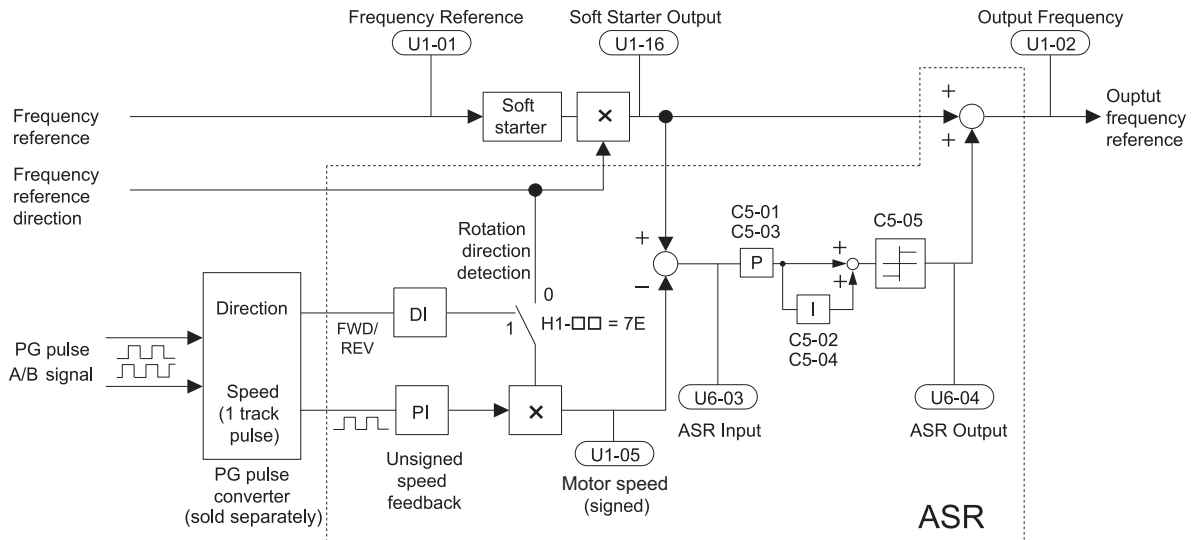


Figure 5.85 Speed Control with ASR in V/f with Simple Speed Feedback

Enabling V/f Control with Simple Speed Feedback:

1. Set the drive to V/f Control (A1-02 = 0).
2. Connect the motor speed pulse signal to the pulse input RP, set H6-01 = 3, and set the pulse signal frequency that is equal to the maximum speed to H6-02 (pulse input scaling). Make sure the pulse input bias (H6-04) is 0% and the gain (H6-03) is 100%.
3. Decide the signal used for detecting the direction. If a digital input is used, set H1-□□ = 7F.
4. Use the ASR gain and integral time parameters described in *C5: Automatic Speed Regulator (ASR) on page 171* for adjusting the responsiveness.

- Note:**
1. C5 parameters will appear when using V/f Control (A1-02 = 0) and when the pulse input RP function is set for simple PG feedback in V/f Control (H6-01 = 3).
 2. If running two motors from the same drive, note that the V/f Control with simple PG feedback can be used for motor 1 only.

■ H6-02: Pulse Train Input Scaling

This parameter sets the pulse signal frequency that is equal to 100% of the input value selected in parameter H6-01.

| No. | Name | Setting Range | Default |
|-------|---------------------------|-----------------|---------|
| H6-02 | Pulse Train Input Scaling | 100 to 32000 Hz | 1440 Hz |

■ H6-03: Pulse Train Input Gain

Sets the level of the input value selected in H6-01 when a pulse train signal with the frequency set in H6-02 is input to terminal RP.

| No. | Name | Setting Range | Default |
|-------|------------------------|----------------|---------|
| H6-03 | Pulse Train Input Gain | 0.0 to 1000.0% | 100.0% |

■ H6-04: Pulse Train Input Bias

Sets the level of the input value selected in H6-01 when no signal (0 Hz) is input to terminal RP.

| No. | Name | Setting Range | Default |
|-------|------------------------|------------------|---------|
| H6-04 | Pulse Train Input Bias | -100.0 to 100.0% | 0.0% |

■ H6-05: Pulse Train Input Filter Time

Sets the pulse train input filter time constant in seconds.

| No. | Name | Setting Range | Default |
|-------|-------------------------------|----------------|---------|
| H6-05 | Pulse Train Input Filter Time | 0.00 to 2.00 s | 0.10 s |

■ H6-06: Pulse Train Monitor Selection

Selects the monitor to output as a pulse train signal via terminal MP. Indicate which monitor to output entering the three digits in U□-□□. *Refer to U: Monitor Parameters on page 291* for a complete list of monitors. Monitors that can be selected by H6-06 appear in the table below.

| No. | Name | Setting Range | Default |
|-------|-------------------------------|--|---------|
| H6-06 | Pulse Train Monitor Selection | 000 $\langle \mathbf{r} \rangle$, 031, 101, 102, 105, 116, 501, 502, 702 to 711, 801 to 809 | 102 |

<1> Set "000" when the terminal is not used, or when using the terminal in the through mode.

■ H6-07: Pulse Train Monitor Scaling

Pulse train monitor scaling sets the output frequency at terminal MP when the specified monitor item is at 100%. Set H6-06 to 102 and H6-07 to 0 to make the pulse train monitor output synchronous to the output frequency.

| No. | Name | Setting Range | Default |
|-------|-----------------------------|---------------|---------|
| H6-07 | Pulse Train Monitor Scaling | 0 to 32000 Hz | 1440 Hz |

■ H6-08: Pulse Train Input Minimum Frequency

Sets the minimum output frequency that can be detected by the pulse train input. Decreasing this setting reduces the time the drive needs to react to changes in the input signal.

- If the pulse input frequency falls below this level, the pulse input value will be 0.
- Enabled when H6-01 = 0, 1, or 2.
- When simple speed feedback in V/f Control is set as the function for terminal RP (H6-01 = 3), the minimum frequency becomes the detection time for PG disconnect (F1-14).

| No. | Name | Setting Range | Default |
|-------|-------------------------------------|------------------|---------|
| H6-08 | Pulse Train Input Minimum Frequency | 0.1 to 1000.0 Hz | 0.5 Hz |

5.8 L: Protection Functions

◆ L1: Motor Protection

■ L1-01: Motor Overload Protection Selection

The drive has an electronic overload protection function that estimates the motor overload level based on output current, output frequency, thermal motor characteristics, and time. An oL1 fault will be triggered when motor overload is detected and drive output will be shut off.

L1-01 sets the overload protection function characteristics according to the motor being used.

| No. | Name | Setting Range | Default |
|-------|-------------------------------------|---------------|---------------------|
| L1-01 | Motor Overload Protection Selection | 0 to 6 | Determined by A1-02 |

- Note:**
- When the motor protection function is enabled (L1-01 ≠ 0), an oL1 alarm can be output through one of the multi-function outputs by setting H2-01 to 1F. The output will close when the motor overload level reaches 90% of the oL1 detection level.
 - Select a method to protect the motor from overheat by setting L1-01 between 1 and 5 when running a single motor from the drive. An external thermal relay is not needed.

Setting 0: Disabled (motor overload protection is not provided)

This setting should be used if no motor overheat protection is desired or if multiple motors are connected to a single drive. In this case it is recommended that you install a thermal relay for each motor as shown in [Figure 5.86](#)

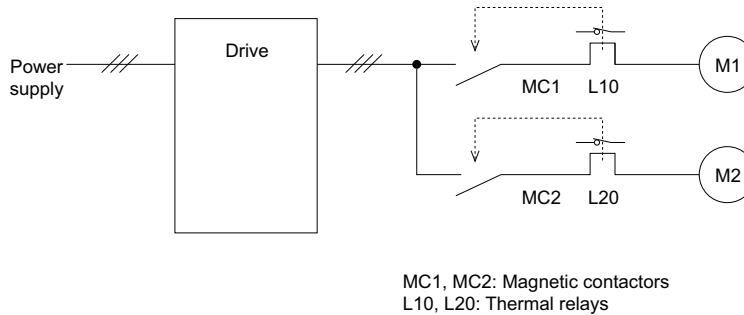


Figure 5.86 Example of Protection Circuit Design for Multiple Motors

NOTICE: Thermal protection cannot be provided when running multi-motors simultaneously with the same drive, or when using motors with a current rating that is relatively high when compared with other standard motors (such as a submersible motor). Failure to comply could result in motor damage. Disable the electronic overload protection of the drive (L1-01 = "0: Disabled") and protect each motor with individual motor thermal overloads.

NOTICE: Close MC1 and MC2 before operating the drive. (MC1 and MC2 cannot be switched off during run.)

Setting 1: General-purpose motor (standard self-cooled)

Because the motor is self-cooled, the overload tolerance drops when the motor speed is lowered. The drive appropriately adjusts the electrothermal trigger point according to the motor overload characteristics, protecting the motor from overheat throughout the entire speed range.

| Overload Tolerance | Cooling Ability | Overload Characteristics |
|---|---|---|
| <p>A: Max. speed for 200LJ and above B: Max. speed for 160MJ to 180LJ C: Max. speed for 132MJ and below</p> | <p>Motor designed to operate from line power. Motor cooling is most effective when running at rated base frequency (check the motor nameplate or specifications).</p> | <p>Continuous operation at less than line power frequency with 100% load can trigger motor overload protection (oL1). A fault is output and the motor will coast to stop.</p> |

Setting 2: Drive dedicated motor (speed range for constant torque: 1:10)

Use this setting when operating a drive duty motor that allows constant torque in a speed range of 1:10. The drive will allow the motor to run with 100% load from 10% up to 100% speed. Running at slower speeds with full load can trigger an overload fault.

| Overload Tolerance | Cooling Ability | Overload Characteristics |
|--------------------|---|--|
| | <p>Motor is designed to effectively cool itself even at low speeds.</p> | <p>Continuous operation with 100% load from 5 Hz to 50 Hz.</p> |

Setting 3: Vector motor (speed range for constant torque: 1:100)

Use this setting when operating a drive-dedicated motor that allows constant torque in a speed range of 1:100. This motor type is allowed to run with 100% load from 1% up to 100% speed. Running slower speeds with full load can trigger an overload fault.

| Overload Tolerance | Cooling Ability | Overload Characteristics |
|--------------------|--|--|
| | <p>Motor is designed to effectively cool itself at ultra-low speeds.</p> | <p>Continuous operation with 100% load from 0.5 Hz to 50 Hz.</p> |

Setting 4: PM derated torque motor

This setting is for operating a PM motor. PM motors for derated torque have a self-cooling design, so the overload tolerance drops as the motor slows. Electronic thermal overload is triggered in accordance with the motor overload characteristics, providing overheat protection across the entire speed range.

| Overload Tolerance | Cooling Ability | Overload Characteristics |
|--------------------|---|--|
| | <p>Motor is designed to produce 100% torque at base speed. Built with effective cooling capabilities.</p> | <p>Reaching 100% when operating at below the base frequency will cause a motor overload fault (oL1). The drive fault output closes and the motor coasts to stop.</p> |

Parameter Details

5

5.8 L: Protection Functions

Setting 5: Constant torque PM motors (constant torque range of 1:500)

Sets protection characteristics needed when driving a PM with constant torque. These motors allow for a speed control from 0.2% to 100% when operating with 100% load. Slower speeds with 100% load will trigger overload.

| Overload Tolerance | Cooling Ability | Overload Characteristics |
|--------------------|---|---|
| | <p>Motor is designed to effectively cool itself at ultra-low speeds (about 0.2% of base speed).</p> | <p>Continuous operation with 100% load from 0.2% to 100% of base speed.</p> |

Setting 6: General-purpose motor (50 Hz)

Because the motor (50 Hz) is self-cooled, the overload tolerance drops when the motor speed is lowered. The drive appropriately adjusts the electrothermal trigger point according to the motor overload characteristics, protecting the motor from overheat throughout the entire speed range.

| Overload Tolerance | Cooling Ability | Overload Characteristics |
|--------------------|---|---|
| | <p>Motor designed to operate from line power. Motor cooling is most effective when running at rated base frequency (check the motor nameplate or specifications).</p> | <p>Continuous operation at less than line power frequency with 100% load can trigger motor overload protection (oL1). A fault is output and the motor will coast to stop.</p> |

■ L1-02: Motor Overload Protection Time

Sets the time it takes the drive to detect motor overheat due to overload. This setting rarely requires adjustment, but should correlate with the motor overload tolerance protection time for performing a hot start.

| No. | Name | Setting Range | Default |
|-------|--------------------------------|--------------------|-------------|
| L1-02 | Motor Overload Protection Time | 0.1 to 5.0 minutes | 1.0 minutes |

Defaulted to operate with an allowance of 150% overload operation for one minute in a hot start.

- **Figure 5.87** shows an example of the electrothermal protection operation time using a general-purpose motor operating at 50 Hz with L1-02 set to one minute.

During normal operation, motor overload protection operates in the area between a cold start and a hot start.

- Cold start: Motor protection operation time in response to an overload situation that was suddenly reached when starting a stationary motor.
- Hot start: Motor protection operation time in response to an overload situation that occurred during sustained operation at rated current.

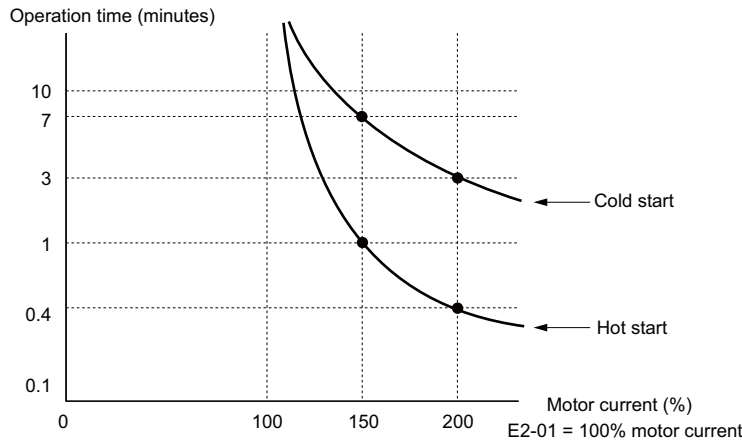


Figure 5.87 Motor Protection Operation Time

Motor Protection Using a Positive Temperature Coefficient (PTC)

A motor PTC can be connected to an analog input of the drive. This input is used by the drive for motor overheat protection.

When the motor overheat alarm level is reached, an oH3 alarm will be triggered and the drive will continue operation as selected in L1-03. When the overheat fault level is reached, an oH4 fault will be triggered, a fault signal will be output, and the drive will stop the motor using the stop method determined in L1-04.

Connect the PTC between terminals AC and A3 and set jumper S4 on the terminal board to “PTC” like shown in Figure 5.88. Set parameter H3-05 to 0 and parameter H3-06 to E.

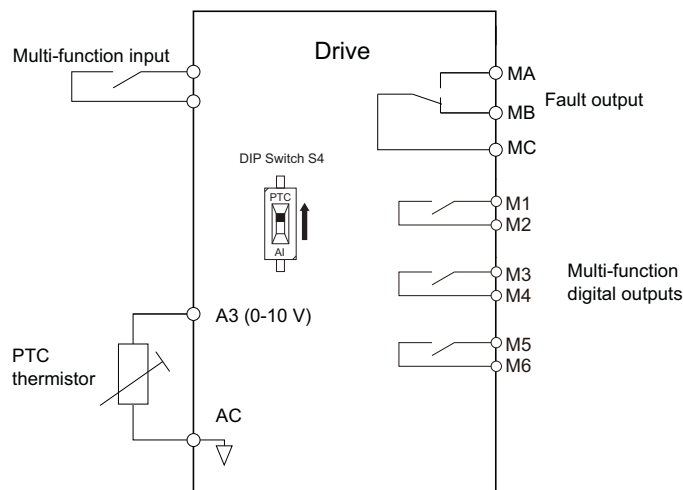


Figure 5.88 Connection of a Motor PTC

The PTC must have the following characteristics for one motor phase. The drives motor overload detection expects 3 of these PTCs to be connected in series.

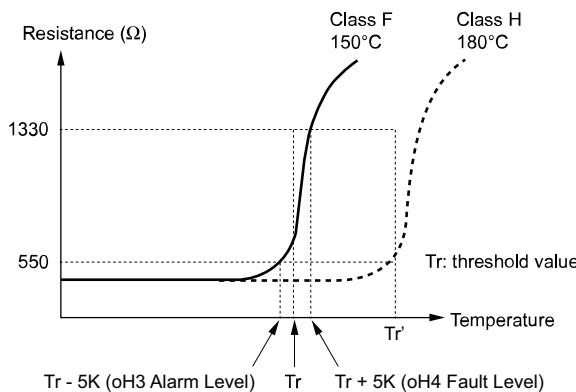


Figure 5.89 Motor PTC Characteristics

5.8 L: Protection Functions

Overheat detection using a PTC can be set up by parameters L1-03, L1-04, and L1-05 as explained below.

■ L1-03: Motor Overheat Alarm Operation Selection (PTC input)

Sets the drive operation when the PTC input signal reaches the motor overheat alarm level (oH3).

| No. | Name | Setting Range | Default |
|-------|--|---------------|---------|
| L1-03 | Motor Overheat Alarm Operation Selection (PTC input) | 0 to 3 | 3 |

Setting 0: Ramp to stop

The drive stops the motor using the deceleration time 1 set in parameter C1-02.

Setting 1: Coast to stop

The drive output is switched off and the motor coasts to stop.

Setting 2: Fast Stop

The drive stops the motor using the Fast Stop time set in parameter C1-09.

Setting 3: Alarm only

The operation is continued and an oH3 alarm is displayed on the digital operator.

■ L1-04: Motor Overheat Fault Operation Selection (PTC input)

Sets the drive operation when the PTC input signal reaches the motor overheat fault level (oH4).

| No. | Name | Setting Range | Default |
|-------|--|---------------|---------|
| L1-04 | Motor Overheat Fault Operation Selection (PTC input) | 0 to 2 | 1 |

Setting 0: Ramp to stop

The drive stops the motor using the deceleration time 1 set in parameter C1-02.

Setting 1: Coast to Stop

The drive output is switched off and the motor coasts to stop.

Setting 2: Fast Stop

The drive stops the motor using the Fast Stop time set in parameter C1-09.

■ L1-05: Motor Temperature Input Filter Time (PTC input)

Used to set a filter on the PTC input signal in order to prevent a motor overheat fault from being mistakenly detected.

| No. | Name | Setting Range | Default |
|-------|---|-----------------|---------|
| L1-05 | Motor Temperature Input Filter Time (PTC input) | 0.00 to 10.00 s | 0.20 s |

■ L1-13: Continuous Electrothermal Operation Selection

Determines whether or not to hold the current value of the electrothermal motor protection (L1-01) when the power supply is interrupted.

| No. | Name | Setting Range | Default |
|-------|---|---------------|---------|
| L1-13 | Continuous Electrothermal Operation Selection | 0 or 1 | 1 |

Setting 0: Disabled

Setting 1: Enabled

◆ L2: Momentary Power Loss Ride-Thru

■ L2-01: Momentary Power Loss Operation Selection

When a momentary power loss occurs (DC bus voltage falls below the level set in L2-05), the drive can be set to automatically return to the operation it was performing when the power went out based on certain conditions.

| No. | Name | Setting Range | Default |
|-------|--|---------------|---------|
| L2-01 | Momentary Power Loss Operation Selection | 0 to 5 | 0 |

Setting 0: Disabled (default)

If power is not restored within 15 ms, a Uv1 fault will result and the drive will stop the motor. The motor coasts to stop.

Setting 1: Recover within L2-02

When a momentary power loss occurs, the drive output will be shut off. Should the power return within the time set to parameter L2-02, the drive will perform Speed Search and attempt to resume operation. If power is not restored within this time (i.e., DC bus voltage level remains below Uv1 detection level L2-05), then a Uv1 fault is triggered.

Setting 2: Recover as long as CPU has power

When a momentary power loss occurs, the drive output will be shut off. Should the power return as long as the drive control circuit has power, the drive will attempt to perform Speed Search and resume the operation. A Uv1 fault is not triggered.

Setting 3: KEB Ride-Thru operation within L2-02

The drive decelerates using regenerative energy from the motor until the time set in L2-02 has expired. It then tries to accelerate back to the frequency reference. If the power does not returned within the time set in L2-02, an Uv1 fault is triggered and the drive output shuts off. The type of KEB operation is determined by the setting of L2-29.

Setting 4: KEB Ride-Thru as long as CPU has power

The drive decelerates using regenerative energy from the motor until the power returns and then restarts. If the motor has come to a stop before, the power returns. If the drive control power gets lost, the drive output will shut off. A Uv1 fault is not triggered. The type of KEB operation is determined by the setting of L2-29.

Setting 5: Ramp to stop with KEB deceleration

The drive ramps to stop using the regenerative energy from the motor. Even if the power is restored, the drive will continue decelerating until it brings the motor to a complete stop. The type of KEB operation is determined by the setting of parameter L2-29. Note that if an input terminal set for KEB 1 (H1-□□ = 65, 66) is triggered while the drive is decelerating, then it will accelerate back up to speed when the input is released.

Notes on Settings 1 through 5

- “Uv” will flash on the operator while the drive is attempting to recover from a momentary power loss. A fault signal is not output at this time.
- A Momentary Power Loss Unit is available to allow for a longer momentary power loss ride through time in the drive model CIMR-A□2A0004 through 2A0056 and CIMR-A□4A0002 through 4A0031. This option makes it possible to continue running after up to two seconds of power loss.
- When a magnetic contactor between motor and drive is used, be sure that the magnetic contactor remains closed as long as the drive performs KEB operation or attempts to restart with Speed Search.
- Make sure the Run command is kept active during KEB operation. Otherwise the drive cannot accelerate back to the frequency reference when the power returns.
- When L2-01 is set to 3, 4, or 5, KEB Ride-Thru will be executed as specified in L2-29.

■ KEB Ride-Thru Function

When power loss is detected, the Kinetic Energy Backup Ride-Thru function (KEB Ride-Thru) decelerates the motor and uses regenerative energy to keep the main circuit operating. Despite power loss, the drive output is not interrupted.

For applications driven by a single drive, choose between Single Drive KEB Ride-Thru 1 and 2 (L2-29 = 0 or 1).

For applications where multiple drives have to perform KEB operation while keeping a certain speed ratio (such as textile machinery), select between System KEB Ride-Thru 1 and 2, (L2-29 = 2 or 3).

5.8 L: Protection Functions

Single Drive KEB Ride-Thru 1 (L2-29 = 0)

Once KEB Ride-Thru begins, the drive uses regenerative energy from the motor to keep the DC bus voltage at the level set to L2-11 while adjusting the rate of deceleration based on the time set to L2-06.

Note: If undervoltage occurs in the DC bus ($Uv1$), shorten the KEB deceleration time (L2-06). If overvoltage occurs (oV), increase the KEB deceleration time.

Single Drive KEB Ride-Thru 2 (L2-29 = 1)

The drive uses information about the inertia of the connected machinery to determine the deceleration rate necessary to keep the DC bus voltage at the level set in parameter L2-11. The resulting deceleration time is calculated based on the system inertia and cannot be adjusted.

System KEB Ride-Thru 1 (L2-29 = 2)

Drive decelerates at the KEB deceleration time set to L2-06. L2-06 is the time required decelerate from the current frequency reference to 0. Using this setting, multiple drives can decelerate while still keeping the speed ratio between those drives constant. The voltage level in the DC bus is disregarded when using this function. Braking resistor option required.

System KEB Ride-Thru 2 (L2-29 = 3)

Drive decelerates based on the KEB deceleration time set to L2-06 while monitoring the DC bus voltage. If the voltage level rises, the drive briefly holds the frequency before continuing to decelerate again.

■ KEB Ride-Thru Start

KEB operation is always triggered in the same way, independent of the selected KEB operation mode. When the KEB function is selected as the function to be executed when power loss operation occurs (L2-01 = 3, 4, or 5), then KEB Ride-Thru will be activated if one of the following conditions becomes true:

- A digital input programmed for H1-□□ = 65 or 66 is activated. This will start KEB operation using the mode selected in parameter L2-29.
- A digital input programmed for H1-□□ = 7A or 7B is activated. This will automatically select Single KEB Ride-Thru 2, disregarding the setting of L2-29.
- The DC bus voltage fell below the level specified in L2-05. The KEB operation will start as specified in L2-29.

Note: KEB Ride-Thru 1 and 2 cannot both be assigned to input terminals at the same time. Attempting this will trigger an oPE3 error.

If a digital input is used for triggering the KEB operation and the device that controls the input acts relatively slow, parameter L2-10 can be used to set a minimum KEB operation time. In the example below, KEB operation is triggered by the DC bus voltage and the Hold command is triggered by a digital input.

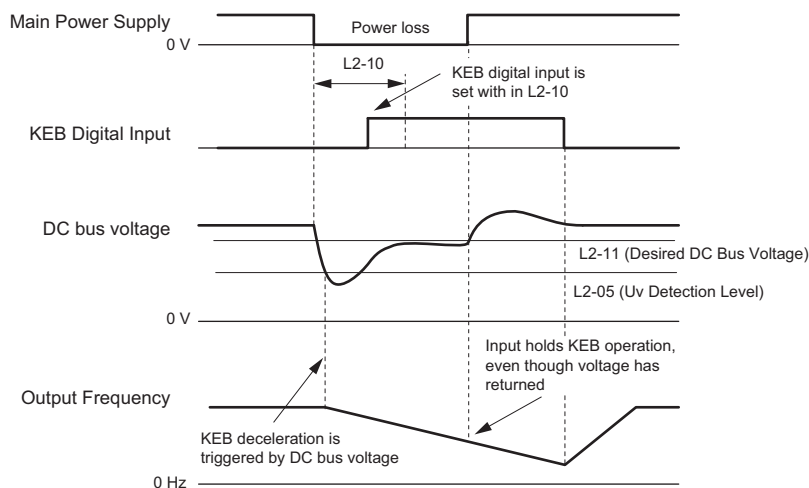


Figure 5.90 KEB Operation Using a KEB Input

■ KEB Ride-Thru End Detection

The KEB function end detection depends on the setting of parameter L2-01 and if a digital input programmed for KEB (H1-□□ = 65, 66, 7A, 7B) is used or not.

KEB Ride-Thru Operation in L2-02, Input Terminals Not Used

Here, L2-01 = 3 and the input terminals have not been set for KEB Ride-Thru (H1-□□ does not equal 65, 66, 7A, 7B). After decelerating for the time set in parameter L2-02, the drive ends KEB operation and attempts to accelerate back to the frequency reference. If the power has not returned within L2-02, an Uv1 fault occurs and the drive output shuts off.

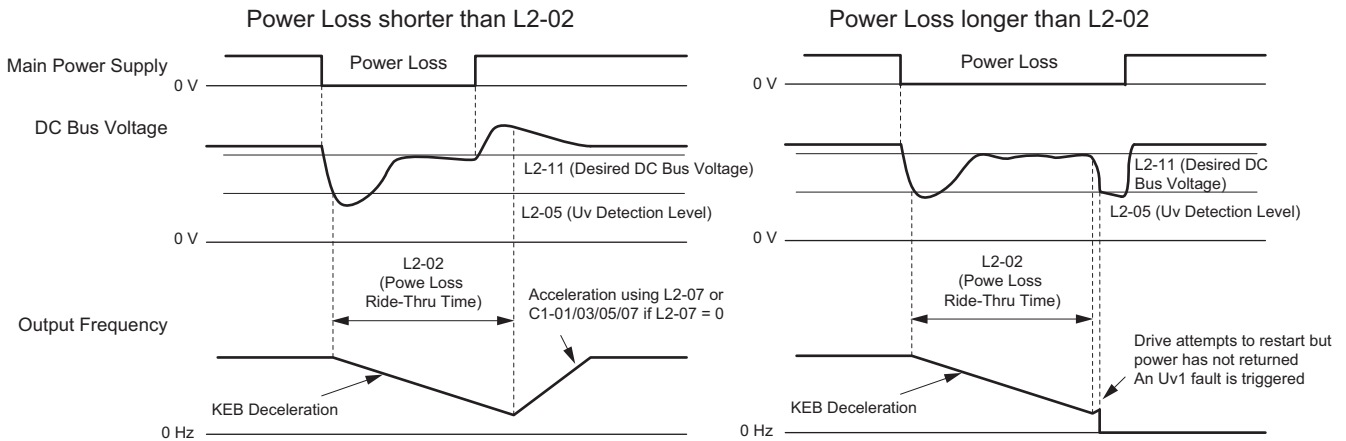


Figure 5.91 KEB Operation Using L2-02, Without KEB Input

KEB Ride-Thru Operation Within L2-02, Input Terminals Used

Here, L2-01 = 3 and an input terminal is set to issue KEB Ride-Thru (H1-□□ = 65, 66, 7A, 7B). After decelerating for the time set in parameter L2-02, the drive checks the DC bus voltage and the status of the digital input. If the DC bus voltage is still below the level set in L2-11 or if the KEB digital input is still active, KEB deceleration continues. If the voltage level has risen above the value set to L2-11, then normal operation is resumed.

Note: The time set in L2-02 has priority over L2-10. Even if L2-10 is set to a longer time than L2-02, once the time in L2-02 passes, the drive will check the DC bus voltage level and the status of the terminal assigned to KEB Ride-Thru, then try to restart.

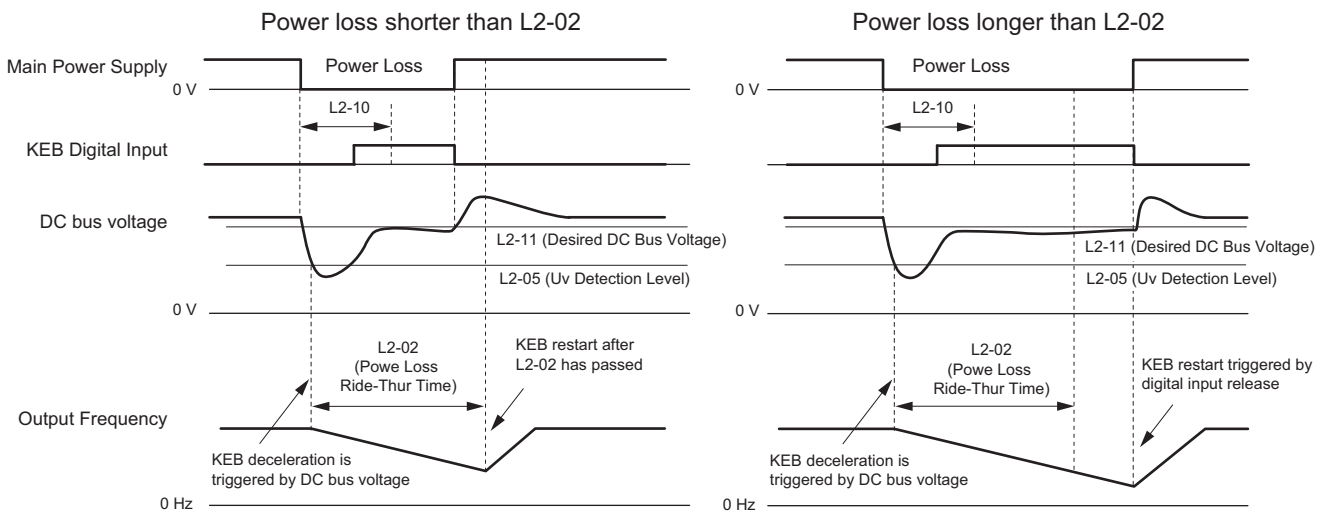


Figure 5.92 KEB Operation Using L2-02 and KEB Input

5.8 L: Protection Functions

KEB Ride-Thru Operation as Long as CPU Has Power, KEB Input Not Used

Here, L2-01 = 4 and the input terminals have not been set for KEB Ride-Thru (H1-□□ does not equal 65, 66, 7A, 7B). After decelerating for the time set in parameter L2-10, the drive checks the DC bus voltage level. If the DC bus voltage is lower than the level set in L2-11, then deceleration continues. Once the DC bus voltage rises above the value of L2-11, normal operation is resumed.

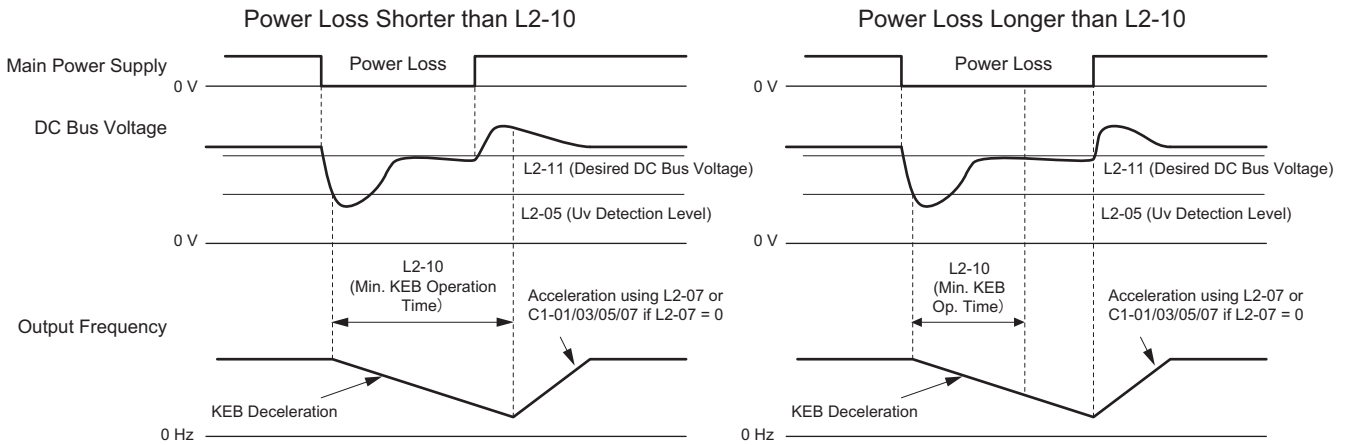


Figure 5.93 KEB Operation Using L2-10, Without KEB Input

KEB Ride-Thru Operation as Long as CPU Has Power, KEB Input Used

Here, L2-01 = 3 and an input terminal is set to issue KEB Ride-Thru (H1-□□ = 65, 66, 7A, 7B). After decelerating for the time set in parameter L2-10, the drive checks the DC bus voltage and the status of the digital input. If the DC bus voltage is still below the level set in L2-11 or if the digital input assigned to KEB Ride-Thru is still active, then the drive continues to decelerate. If the DC bus voltage has risen above L2-11 and the terminal that initiated KEB Ride-Thru is released, then operation resumes.

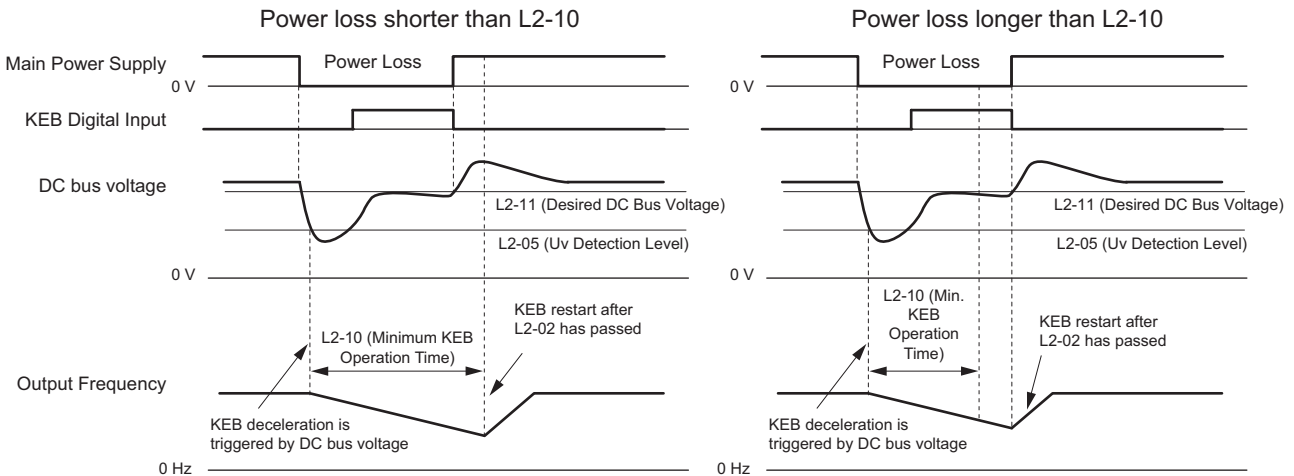


Figure 5.94 KEB Operation Using L2-10 and KEB Input

L2-01 = 5

KEB operation ends when the motor has come to a stop, even if the power returns and the digital input terminal that initiated KEB Ride-Thru is cleared.

■ KEB Operation Wiring Example

Figure 5.95 shows a wiring example for triggering the KEB Ride-Thru at power loss using an undervoltage relay. If power loss occurs, the undervoltage relay triggers KEB Ride-Thru at terminal S6 (H1-06 = 65, 66, 7A, 7B). Note that an additional dynamic braking option is required if System KEB Ride-Thru 1 is used.

- Note:**
1. Make sure the Run command is not switched off during momentary power loss. If the Run command is shut off, the drive will not accelerate back to speed when the power is restored.
 2. A dynamic braking option is required in order to use System KEB 1 (L2-29 = 2).

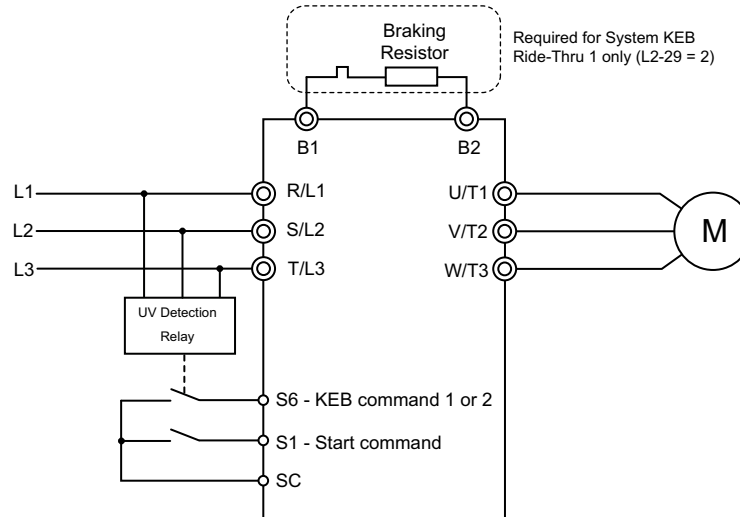


Figure 5.95 KEB Function Wiring Example

■ Parameters for KEB Ride-Thru

Table 5.40 lists parameters needed to set up KEB Ride-Thru depending the type of KEB Ride-Thru selected in L2-29.

Table 5.40 KEB Function Related Adjustments

| Parameter | Name | Setting Instructions | KEB Mode (L2-29) | | | |
|-----------|-----------------------------------|---|------------------|-----|-----|-----|
| | | | 0 | 1 | 2 | 3 |
| C1-09 | Fast Stop Time | <ul style="list-style-type: none"> • Increase if an overvoltage fault (ov) occur during KEB deceleration. • Decrease if an undervoltage fault (Uv1) occurs during KEB deceleration. | YES | NO | NO | NO |
| C2-03 | S-Curve at Deceleration Start | <ul style="list-style-type: none"> • Shorten if undervoltage (Uv1) occurs right after KEB Ride-Thru is triggered. • Lengthen this setting if overvoltage occurs right after KEB operation starts. | YES | NO | YES | YES |
| L2-05 | Undervoltage Detection Level | Increase if an undervoltage fault (Uv1) fault occurs at KEB operation start in order to let the drive detect power loss more quickly. | YES | YES | YES | YES |
| L2-06 | KEB Deceleration Time | <ul style="list-style-type: none"> • Increase if an overvoltage fault (ov) occur during KEB deceleration • Decrease if an undervoltage fault (Uv1) occurs during KEB deceleration | NO | NO | YES | YES |
| L2-07 | KEB Acceleration Time | Adjust to the desired acceleration time. If set to 0, standard acceleration times are used (C1-01, C1-03, C1-05, C1-07). | YES | YES | YES | YES |
| L2-08 | Frequency Gain at KEB Start | <ul style="list-style-type: none"> • Increase if an undervoltage fault occurs right after KEB operation starts. • Decrease if an overvoltage fault occurs right after KEB operation starts. | YES | NO | YES | YES |
| L2-10 | KEB Detection Time | <ul style="list-style-type: none"> • Increase when a digital input is set for KEB Ride-Thru and an undervoltage fault occurs after power was lost because the device that controls the input does not react quickly enough. • If the DC bus voltage overshoots after KEB Ride-Thru begins (and no input terminal is set to KEB Ride-Thru), increase L2-10 to longer than the overshoot. | YES | YES | YES | YES |
| L2-11 | Desired DC Bus Voltage during KEB | <ul style="list-style-type: none"> • Set to around 1.22 times the input voltage for Single Drive KEB Ride-Thru 2. • Set to around 1.4 times the input voltage for Single Drive KEB Ride-Thru 1 and System KEB Ride-Thru modes. | YES | YES | YES | YES |
| L3-20 | Main Circuit Adjustment Gain | <ul style="list-style-type: none"> • Increase this setting slowly in steps of 0.1 if overvoltage (ov) or undervoltage (Uv1) occurs at the beginning of deceleration • Reduce if torque ripple occurs during deceleration while executing KEB Ride-Thru. | NO | YES | NO | NO |
| L3-21 | Accel/Decel Rate Calculation Gain | <ul style="list-style-type: none"> • Reduce L3-21 in steps of 0.05 if there is a fairly large speed or current ripple. • Decreasing this setting too much can result in a slow DC bus voltage control response, and may lead to problems with overvoltage or undervoltage. | NO | YES | NO | NO |
| L3-24 | Motor Acceleration Time | Set the motor acceleration time as described on page 261. | NO | YES | NO | NO |
| L3-25 | Load Inertia Ratio | Set the load/inertia ratio as described on page 261. | NO | YES | NO | NO |

Parameter Details 5

5.8 L: Protection Functions

■ L2-02: Momentary Power Loss Ride-Thru Time

Sets the maximum time allowed to ride through a power loss. If power loss operation exceeds this time, the drive will attempt to accelerate back to frequency reference. This parameter is valid if L2-01 = 1 or 3.

Note: 1. The amount of time the drive is capable of recovering after a power loss is determined by the capacity of the drive. Drive capacity determines the upper limit for L2-02.

| No. | Name | Setting Range | Default |
|-------|-------------------------------------|---------------|-------------------------------|
| L2-02 | Momentary Power Loss Ride-Thru Time | 0.0 to 25.5 s | Determined by C6-01 and o2-04 |

■ L2-03: Momentary Power Loss Minimum Baseblock Time

Sets the minimum baseblock time when power is restored following a momentary power loss. This determines the time the drive waits for the residual voltage in the motor to dissipate. Increase this setting if overcurrent or overvoltage occurs at the beginning of Speed Search, after a power loss, or during DC Injection Braking.

| No. | Name | Setting Range | Default |
|-------|---|---------------|-------------------------------|
| L2-03 | Momentary Power Loss Minimum Baseblock Time | 0.1 to 5.0 s | Determined by C6-01 and o2-04 |

■ L2-04: Momentary Power Loss Voltage Recovery Ramp Time

Sets the time for the drive to restore the output voltage to the level specified by the V/f pattern after Speed Search. The setting value determines the time for the voltage to go from 0 V to the maximum voltage.

| No. | Name | Setting Range | Default |
|-------|---|---------------|-------------------------------|
| L2-04 | Momentary Power Loss Voltage Recovery Ramp Time | 0.0 to 5.0 s | Determined by C6-01 and o2-04 |

■ L2-05: Undervoltage Detection Level (Uv)

Determines the voltage at which a Uv1 fault is triggered or at which the KEB function is activated. This setting rarely needs to be changed.

| No. | Name | Setting Range | Default |
|-----------|------------------------------|----------------|---|
| L2-05 <1> | Undervoltage Detection Level | 150 to 210 Vdc | Determined by A1-02, C6-01, E1-01 and o2-04 <2> |

<1> Values are for 200 V class drives and must be doubled for 400 V class drives.

<2> The default setting for 400 V class drives will vary depending on if the drive input voltage is over or under 400 V.

- Note:** 1. When setting L2-05 below the default value, an AC reactor option should be installed to the input side of the power supply to prevent damage to drive circuitry.
2. If using KEB Ride-Thru and L2-05 is set too low, then undervoltage in the DC bus (uv1) will be triggered before KEB Ride-Thru can be executed. Take caution not to set this value too low.

■ L2-06: KEB Deceleration Time

Sets the time to decelerate from the frequency reference at the time KEB Ride-Thru was initiated down to zero speed. This setting can be used for System KEB Ride-Thru only.

| No. | Name | Setting Range | Default |
|-------|-----------------------|----------------------|---------|
| L2-06 | KEB Deceleration Time | 0.00 to 6000.0 s <1> | 0.00 s |

<1> Setting range is determined by the accel/decel time units set in C1-10. If the time is set in units of 0.01 s (C1-10 = 0), the setting range becomes 0.00 to 600.00 s.

■ L2-07: KEB Acceleration Time

Sets the time to reaccelerate from the speed when KEB was deactivated to the frequency reference.

When set to 0.0 s, the drive will accelerate back up to speed according to the active deceleration time set by C1-01, C1-03, C1-05, or C1-07.

| No. | Name | Setting Range | Default |
|-------|-----------------------|----------------------|---------|
| L2-07 | KEB Acceleration Time | 0.00 to 6000.0 s <1> | 0.00 s |

<1> Setting range is determined by the accel/decel time units set in C1-10. If the time is set in units of 0.01 s (C1-10 = 0), the setting range becomes 0.00 to 600.00 s.

■ L2-08: Frequency Gain at KEB Start

When the KEB Ride-Thru command is input, the output frequency is reduced in a single step in order to quickly get the motor into a regenerative state. The amount of this frequency reduction can be calculated using the formula below. Note that L2-08 can only be used with induction motors.

$$\text{Amount of reduction} = \text{Slip frequency prior to KEB} \times (\text{L2-08}) \times 2$$

| No. | Name | Setting Range | Default |
|-------|-----------------------------|---------------|---------|
| L2-08 | Frequency Gain at KEB Start | 0 to 300% | 100% |

■ L2-10: KEB Detection Time (Minimum KEB Time)

Parameter L2-10 determines how long KEB Ride-Thru must operate once it is triggered. Also refer to [KEB Ride-Thru End Detection on page 251](#).

| No. | Name | Setting Range | Default |
|-------|--------------------|---------------|---------|
| L2-10 | KEB Detection Time | 0 to 2000 ms | 50 ms |

■ L2-11: DC Bus Voltage Setpoint during KEB

Determines the setpoint (target value) for the DC bus voltage during Single KEB Ride-Thru 2. For Single KEB Ride-Thru 1 and System KEB Ride-Thru, parameter L2-11 defines the voltage level to end KEB Ride-Thru.

| No. | Name | Setting Range | Default |
|-------|------------------------------------|--------------------|---------|
| L2-11 | DC Bus Voltage Setpoint during KEB | 150 to 400 Vdc <1> | <2> |

<1> Values are for 200 V class drives and must be doubled for 400 V class drives.

<2> Default setting is determined by E1-01.

■ L2-29: KEB Method Selection

Selects the way the Kinetic Energy Buffering function operates.

Note: If a multi function input is set for Single KEB Ride-Thru 2 (H1-□□ = 7A, 7B) the setting of L2-29 is disregarded and the KEB mode equal to L2-29 = 1 is automatically selected.

| No. | Name | Setting Range | Default |
|-------|----------------------|---------------|---------|
| L2-29 | KEB Method Selection | 0 to 3 | 0 |

Setting 0: Single Drive KEB Ride-Thru 1

Setting 1: Single Drive KEB Ride-Thru 2

Setting 2: System KEB Ride-Thru 1

Setting 3: System KEB Ride-Thru 2

Refer to [KEB Ride-Thru Function on page 249](#) for detailed explanations.

◆ L3: Stall Prevention

When the load is too high or acceleration and deceleration times are too short, the motor may be unable to keep up with the frequency reference, resulting in excessive slip. During acceleration, this usually causes an overcurrent fault (oC), drive overload (oL2), or motor overload (oL1). During deceleration, it can cause excessive regenerative power to flow back into the DC bus capacitors, eventually causing the drive to fault out from overvoltage (oV). The drive can prevent the motor from stalling and still reach the desired speed without the user needing to change the acceleration or deceleration time settings. The Stall Prevention function can be set separately for acceleration, operating at constant speeds, and deceleration.

■ L3-01: Stall Prevention Selection during Acceleration

Stall Prevention during acceleration (L3-01) prevents tripping with overcurrent (oC), motor overload (oL1), or drive overload (oL2) faults common when accelerating with heavy loads.

L3-01 determines the type of Stall Prevention the drive should use during acceleration.

| No. | Name | Setting Range | Default |
|-------|--|---------------|---------|
| L3-01 | Stall Prevention Selection during Acceleration | 0 to 2 <I> | 1 |

<I> Setting 2 is not available for PM OLV.

Setting 0: Disabled

No Stall Prevention is provided. If the acceleration time is too short, the drive may not be able to get the motor up to speed fast enough, thus tripping an overload fault.

Setting 1: Enabled

Enables Stall Prevention during acceleration. Operation varies, depending on the control mode.

- V/f Control, V/f Control with PG, and Open Loop Vector Control:

If the output current rises above the Stall Prevention level set in L3-02, then the drive stops accelerating. Acceleration will not resume until the output current falls 15% below the setting in L3-02.

The Stall Prevention level is automatically reduced in the constant power range. *Refer to L3-03: Stall Prevention Limit during Acceleration on page 257.*

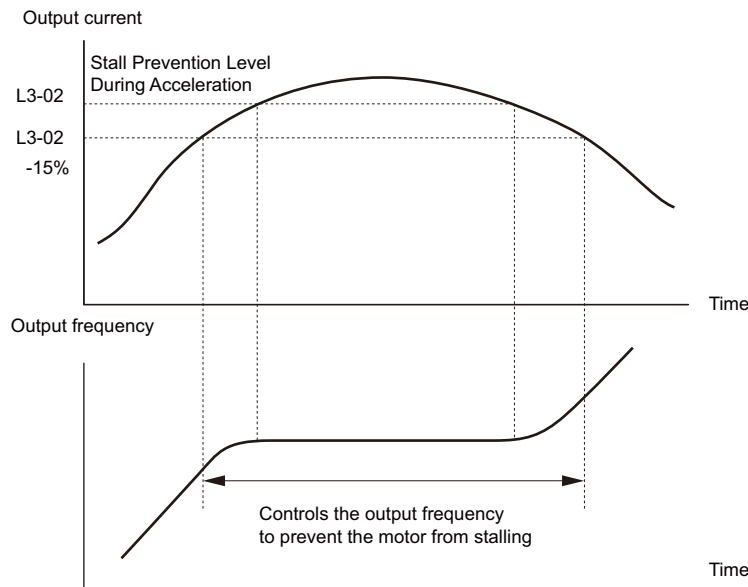


Figure 5.96 Stall Prevention During Acceleration for Induction Motors

- Open Loop Vector Control for PM:

If the output current remains above the Stall Prevention level set in L3-02 for the time set in L3-27, then the drive will begin to decelerate using the deceleration time set in L3-22. (*Refer to L3-22: Deceleration Time at Stall Prevention during Acceleration on page 257.*) Acceleration will not resume until the output current falls 15% below the setting in L3-02.

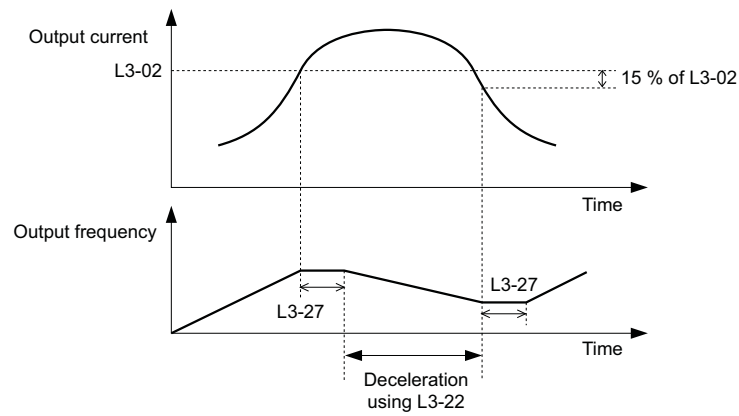


Figure 5.97 Stall Prevention During Acceleration for Permanent Magnet Motors

Setting 2: Intelligent Stall Prevention

When L3-02 = 2, the drive will disregard the selected acceleration time and try to accelerate in the minimum time. The acceleration rate is adjusted so that the current does not exceed the value set in parameter L3-02.

■ L3-02: Stall Prevention Level during Acceleration

Sets the output current level at which the Stall Prevention during acceleration is activated.

| No. | Name | Setting Range | Default |
|-------|--|---------------|---------|
| L3-02 | Stall Prevention Level during Acceleration | 0 to 150% </> | </> |

<1> The upper limit and default value is determined by the duty rating and the carrier frequency derating selection (C6-01 and L8-38 respectively).

- Stalling may occur when the motor is rated at a smaller capacity than the drive and the Stall Prevention default settings are used. Set L3-02 as appropriate if stalling occurs.
- When operating the motor in the constant power range, also set parameter L3-03.

■ L3-03: Stall Prevention Limit during Acceleration

The Stall Prevention level is automatically reduced when the motor is operated in the constant power range. L3-03 sets the lower limit for this reduction as a percentage of the drive rated current.

| No. | Name | Setting Range | Default |
|-------|--|---------------|---------|
| L3-03 | Stall Prevention Limit during Acceleration | 0 to 100% | 50% |

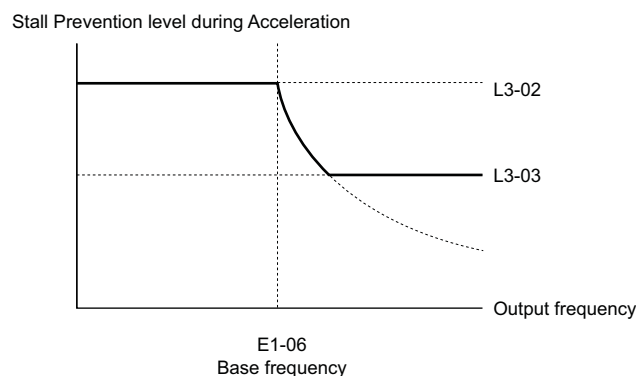


Figure 5.98 Stall Prevention Level and Limit During Acceleration

■ L3-22: Deceleration Time at Stall Prevention during Acceleration

Sets the brief deceleration time used when stalling occurs while accelerating a PM motor. When set to 0, this function is disabled and the drive will decelerate at the selected deceleration time when stalling occurs.

The function is effective only in Open Loop Vector Control for PM motors and if parameter L3-01 is set to 1.

| No. | Name | Setting Range | Default |
|-------|---|---------------|---------|
| L3-22 | Deceleration Time at Stall Prevention During Acceleration | 0 to 6000.0 s | 0.0 s |

■ L3-04: Stall Prevention Selection during Deceleration

Stall Prevention during deceleration can control the deceleration based on the DC bus voltage and prevent an overvoltage fault caused by high inertia or rapid deceleration.

| No. | Name | Setting Range | Default |
|-------|--|---------------|---------|
| L3-04 | Stall Prevention Selection During Deceleration | 0 to 5 <I> | 1 |

<I> Settings 3 through 5 are not available in OLV/PM. Settings 2 through 5 are not available in AOLV/PM and CLV/PM.

Setting 0: Disabled

When this setting is used, the drive decelerates according to the set deceleration time. With high inertia loads or rapid deceleration, an overvoltage (ov) fault may occur. In this case use dynamic braking options or switch to another L3-04 selection.

Setting 1: General-purpose Stall Prevention

With this setting the drive tries to decelerate within the set deceleration time. When the DC bus voltage exceeds the Stall Prevention level, the drive pauses deceleration. Deceleration continues as soon as the DC bus voltage drops below that level. Stall Prevention may be triggered repeatedly to avoid an overvoltage fault. The DC bus voltage level for Stall Prevention depends on the input voltage setting E1-01.

| Drive Input Voltage | Stall Prevention Level during Deceleration |
|---------------------|--|
| 200 V Class | 377 Vdc |
| 400 V Class | 754 Vdc |

- Note:**
1. This setting should not be used in combination with a Dynamic Braking Resistor or other dynamic braking options. If Stall Prevention during deceleration is enabled, it will be triggered before the braking resistor option can operate.
 2. This method may lengthen the total deceleration time compared to the set value. If this is not appropriate for the application consider using a dynamic braking option.

Figure 5.99 illustrates the function of Stall Prevention during deceleration.

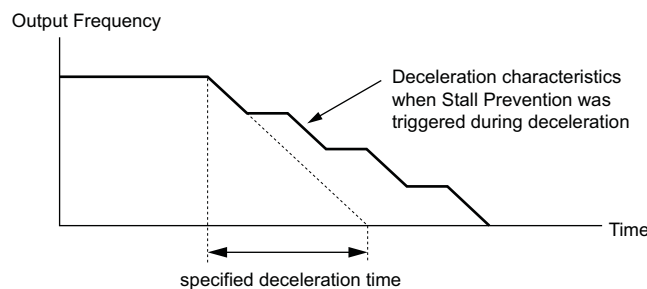


Figure 5.99 Stall Prevention During Deceleration

Setting 2: Intelligent Stall Prevention

With this setting, the drive adjusts the deceleration rate so that the DC bus voltage is kept at the level set in parameter L3-17. This way the shortest possible deceleration time is achieved while the motor is protected from stalling. The deceleration time that has been selected is disregarded, but the achievable deceleration time cannot be smaller than 1/10 of the set deceleration time.

This function uses the following parameters for adjusting the deceleration rate:

- DC bus voltage gain (L3-20)
- Deceleration rate calculations gain (L3-21)
- Inertia calculations for motor acceleration time (L3-24)
- Load inertia ratio (L3-25)

Note: As the deceleration time is not constant, Intelligent Stall Prevention should not be used in applications where stopping accuracy is a concern. Use dynamic braking options instead.

Setting 3: Stall Prevention with dynamic braking option

Enables the Stall Prevention function while using a dynamic braking resistor. Overvoltage problems in the DC bus can occur if Stall Prevention during deceleration is disabled (L3-04) in OLV and a dynamic braking option is installed. Set L3-04 to 3 to remedy this situation.

Setting 4: Overexcitation Deceleration 1

Overexcitation Deceleration 1 (increasing the motor flux) is faster than deceleration with no Stall Prevention (L3-04 = 0). Refer to [Overexcitation Deceleration \(Induction Motors\) on page 277](#) for details.

Setting 5: Overexcitation Deceleration 2

Overexcitation Deceleration 2 slows down the motor while trying to maintain the DC bus voltage at the level set in parameter L3-17. By doing this, the achievable deceleration time can even be shorter than with Overexcitation Deceleration 1. Refer to [Overexcitation Deceleration \(Induction Motors\) on page 277](#) for details.

■ L3-05: Stall Prevention Selection during Run

Stall Prevention during run can prevent a motor from stalling by automatically reducing the speed when a transient overload occurs while the motor is running at constant speed.

This parameter determines how Stall Prevention works during run.

| No. | Name | Setting Range | Default |
|-------|---------------------------------------|---------------|---------|
| L3-05 | Stall Prevention Selection During Run | 0 to 2 | 1 |

- Note:**
1. This function is available in V/f, V/f w/PG, and OLV/PM.
 2. When output frequency is 6 Hz or less, Stall Prevention during run is disabled regardless of the setting in L3-05 and L3-06.

Setting 0: Disabled

Drive runs at the set frequency reference. A heavy load may cause the motor to stall and trip the drive with an oC or oL fault.

Setting 1: Decelerate using C1-02

If the current exceeds the Stall Prevention level set in parameter L3-06, then the drive will decelerate at decel time 1 (C1-02). Once the current level drops below the value of L3-06 minus 2% for 100 ms, the drive accelerates back to the frequency reference at the active acceleration time.

Setting 2: Decelerate using C1-04

Same as setting 1 except the drive decelerates at decel time 2 (C1-04).

■ L3-06: Stall Prevention Level during Run

Sets the current level to trigger Stall Prevention during run. Depending on the setting of parameter L3-23, the level is automatically reduced in the constant power range (speed beyond base speed).

The Stall Prevention level can be adjusted using an analog input. Refer to [Multi-Function Analog Input Terminal Settings on page 237](#) for details.

| No. | Name | Setting Range | Default |
|-------|-----------------------------------|---------------|---------|
| L3-06 | Stall Prevention Level During Run | 30 to 150 <I> | <I> |

<I> The upper limit and default for this setting is determined by C6-01 and L8-38.

■ L3-23: Automatic Reduction Selection for Stall Prevention during Run

This function reduces the Stall Prevention during run level in the constant power range.

| No. | Name | Setting Range | Default |
|-------|---|---------------|---------|
| L3-23 | Automatic Reduction Selection for Stall Prevention During Run | 0 or 1 | 0 |

Setting 0: Disabled

The level set in L3-06 is used throughout the entire speed range.

Setting 1: Enabled

The Stall Prevention level during run is reduced in the constant power range. The lower limit will be 40% of L3-06.

5.8 L: Protection Functions

■ Overvoltage Suppression Function

This function suppresses overvoltage faults by decreasing the regenerative torque limit and slightly increasing the output frequency when the DC bus voltage rises. It can be used to drive loads with cyclic regenerative operation, such as a punch press or other applications that involve repetitive crank movements.

The regenerative torque limit and the output frequency are adjusted during ov suppression so that the DC bus voltage does not exceed the level set in parameter L3-17. In addition to the parameters explained below, ov suppression also uses these settings for frequency adjustment:

- DC bus voltage gain (L3-20)
- Deceleration rate calculations gain (L3-21)
- Inertia calculations for motor acceleration time (L3-24)
- Load inertia ratio (L3-25)

- Note:**
1. The motor speed will exceed the frequency reference when overvoltage suppression is triggered. Consequently, overvoltage suppression is not appropriate in applications that require a perfect match between the frequency reference and the motor speed.
 2. Disable overvoltage suppression when using a braking resistor.
 3. Overvoltage may still occur if there is a sudden increase to a regenerative load.
 4. This function is enabled only when operating just below the maximum frequency. Overvoltage suppression does not increase the output frequency beyond the maximum frequency. If this is required by the application, increase the maximum frequency and change the base frequency setting.

■ L3-11: Overvoltage Suppression Function Selection

Enables or disables the overvoltage suppression function.

| No. | Name | Setting Range | Default |
|-------|--|---------------|---------|
| L3-11 | Overvoltage Suppression Function Selection | 0 or 1 | 0 |

Setting 0: Disabled

The regenerative torque limit and the output frequency are not adjusted. A regenerative load may trip the drive with an overvoltage fault. Use this setting if dynamic braking options are installed.

Setting 1: Enabled

When the DC bus voltage rises due to regenerative load, an overvoltage fault is prevented by decreasing the regenerative torque limit and increasing the output frequency.

■ L3-17: Target DC Bus Voltage for Overvoltage Suppression and Stall Prevention

Sets the target DC bus voltage target level used by the overvoltage suppression function (L3-11 = 1), Intelligent Stall Prevention during deceleration (L3-04 = 2).

| No. | Name | Setting Range | Default |
|-------|--|--------------------|-------------|
| L3-17 | Target DC Bus Voltage for Overvoltage Suppression and Stall Prevention | 150 to 400 Vdc <1> | 370 Vdc <2> |

<1> Values are for 200 V class drives and must be doubled for 400 V class drives.

<2> This value is initialized when E1-01 is changed.

■ L3-20: DC Bus Voltage Adjustment Gain

Determines the proportional gain used by overvoltage suppression (L3-11 = 1), Single Drive KEB 2 (L2-29 = 1), KEB Ride Thru 2 (H1-□□ = 7A or 7B) and Intelligent Stall Prevention during deceleration (L3-04 = 2) in order to control the DC bus voltage.

| No. | Name | Setting Range | Default |
|-------|--------------------------------|---------------|---------------------|
| L3-20 | DC Bus Voltage Adjustment Gain | 0.00 to 5.00 | Determined by A1-02 |

Adjustment for Single Drive KEB 2 (L2-29 = 1) and Intelligent Stall Prevention During Deceleration

- Increase this setting slowly in steps of 0.1 if overvoltage or undervoltage occurs at the beginning of deceleration.
- If this setting is too high, then a fair amount of speed or torque ripple can result.

Adjustment for Overvoltage Suppression

- Increase this setting slowly in steps of 0.1 if overvoltage suppression is enabled (L3-11 = 1) and a sudden increase in a regenerative load results in an overvoltage (ov) fault.

- If this setting is too high, excessive speed or torque ripple can result.

■ L3-21: Accel/Decel Rate Calculation Gain

Determines the proportional gain used by overvoltage suppression (L3-11 = 1), Single Drive KEB 2 (L2-29 = 1), and Intelligent Stall Prevention during deceleration (L3-04 = 2) in order to calculate acceleration and deceleration rates.

| No. | Name | Setting Range | Default |
|-------|-----------------------------------|---------------|---------|
| L3-21 | Accel/Decel Rate Calculation Gain | 0.10 to 10.00 | </> |

</> This value is reset to its default value when the control mode is changed (A1-02). The value shown here is for Open Loop Vector Control.

Adjustment for Single Drive KEB 2 (L2-29 = 1) and Intelligent Stall Prevention During Deceleration

- Reduce L3-21 in steps of 0.05 if there is a fairly large speed or current ripple.
- Small reductions of L3-21 can also help solve problems with overvoltage and overcurrent.
- Decreasing this setting too much can result in a slow DC bus voltage control response and may also lengthen deceleration times beyond optimal levels.

Adjustment for Overvoltage Suppression

- Increase this setting in steps of 0.1 if overvoltage occurs as a result of a regenerative load when overvoltage suppression is enabled (L3-11 = 1).
- If there is a fairly large speed ripple when overvoltage suppression is enabled, then decrease L3-21 in steps of 0.05.

■ L3-24: Motor Acceleration Time for Inertia Calculations

Sets the time it takes to accelerate the motor from stop to the maximum speed at motor rated torque. This parameter should be set when using Single Drive KEB 2 (L2-29 = 1), Intelligent Stall Prevention during deceleration (L2-04 = 2), or the overvoltage suppression function (L3-11 = 1).

| No. | Name | Setting Range | Default |
|-------|--|-------------------|---|
| L3-24 | Motor Acceleration Time for Inertia Calculations | 0.001 to 10.000 s | Determined by o2-04, C6-01, E2-11, and E5-01 </> |

</> Parameter L3-24 is defaulted for a Yaskawa standard 4-pole motor. During Auto-Tuning, L3-24 will be initialized to a Yaskawa standard 4-pole motor if parameter E2-11 is changed. This value also changes based on the motor code set to E5-01 when using the Open Loop Vector Control Mode for PM motors.

Automatic Parameter Setup

In Closed Loop Vector Control for induction motors or PM motors, the Inertia Auto-Tuning function can be used to let the drive automatically adjust this parameter. [Refer to Auto-Tuning on page 109.](#)

Manual Parameter Setup

Calculations are made as follows:

$$L3-24 = \frac{2 \cdot \pi \cdot J [kgm^2] \cdot n_{rated} [r/min]}{60 \cdot T_{rated} [Nm]}$$

The rated torque can be calculated as follows:

$$T_{rated} [Nm] = \frac{60 \cdot P_{Motor} [kW] \cdot 10^3}{2 \cdot \pi \cdot n_{rated} [r/min]}$$

■ L3-25: Load Inertia Ratio

Determines the ratio between the rotor inertia and the load. Set this parameter when using Single Drive KEB 2 (L2-29 = 1), Intelligent Stall Prevention during deceleration (L3-04 = 2), or the overvoltage suppression function (L3-11 = 1).

| No. | Name | Setting Range | Default |
|-------|--------------------|---------------|---------|
| L3-25 | Load Inertia Ratio | 1.0 to 1000.0 | 1.0 |

When set incorrectly, a fairly large current ripple can result during Single Drive KEB 2 (L2-29 = 1) and overvoltage suppression (L3-11 = 1) or other faults such as ov, Uv1, and oC may occur.

5.8 L: Protection Functions

Automatic Parameter Setup

In Closed Loop Vector Control for induction motors or PM motors the Inertia Auto-Tuning function can be used to let the drive automatically adjust this parameter. *Refer to Auto-Tuning on page 109.*

Manual Parameter Setup

Parameter L3-25 can be calculated by:

$$L3-25 = \frac{\text{Machine Inertia}}{\text{Motor Inertia}}$$

■ L3-26: Additional DC Bus Capacitors

Sets the capacity of any additional DC bus capacitors that have been installed. This data is used in calculations for Single Drive KEB Ride-Thru 2. This setting needs to be adjusted only if external capacity is connected to the drives DC bus and Single Drive KEB 2 is used.

| No. | Name | Setting Range | Default |
|-------|------------------------------|---------------|---------|
| L3-26 | Additional DC Bus Capacitors | 0 to 65000 µF | 0 µF |

■ L3-27: Stall Prevention Detection Time

Sets a delay time from when the Stall Prevention level is reached and the actual Stall Prevention function is activated.

| No. | Name | Setting Range | Default |
|-------|---------------------------------|---------------|---------|
| L3-27 | Stall Prevention Detection Time | 0 to 5000 ms | 50 ms |

◆ L4: Speed Detection

These parameters set up the speed agree and speed detection functions which can be assigned to the multi-function output terminals.

■ L4-01, L4-02: Speed Agreement Detection Level and Detection Width

Parameter L4-01 sets the detection level for the digital output functions “Speed agree 1,” “User-set speed agree 1,” “Frequency detection 1,” and “Frequency detection 2.”

Parameter L4-02 sets the hysteresis level for these functions.

| No. | Name | Setting Range | Default |
|-------|---------------------------------|-----------------|---------------------|
| L4-01 | Speed Agreement Detection Level | 0.0 to 400.0 Hz | 0.0 Hz |
| L4-02 | Speed Agreement Detection Width | 0.0 to 20.0 Hz | Determined by A1-02 |

Refer to H2-01 to H2-03: Terminal M1-M2, M3-M4, and M5-M6 Function Selection on page 224, Settings 2, 3, 4, and 5.

■ L4-03, L4-04: Speed Agreement Detection Level and Detection Width (+/-)

Parameter L4-03 sets the detection level for the digital output functions “Speed agree 2,” “User-set speed agree 2,” “Frequency detection 3,” and “Frequency detection 4.”

Parameter L4-04 sets the hysteresis level for these functions.

| No. | Name | Setting Range | Default |
|-------|---------------------------------------|--------------------|---------------------|
| L4-03 | Speed Agreement Detection Level (+/-) | -400.0 to 400.0 Hz | 0.0 Hz |
| L4-04 | Speed Agreement Detection Width (+/-) | 0.0 to 20.0 Hz | Determined by A1-02 |

Refer to H2-01 to H2-03: Terminal M1-M2, M3-M4, and M5-M6 Function Selection on page 224, Settings 13, 14, 15, and 16.

■ L4-05: Frequency Reference Loss Detection Selection

The drive can detect a loss of an analog frequency reference from input A1, A2, or A3. Frequency reference loss is detected when the frequency reference drops below 10% of the reference before or below 5% of the maximum output frequency within 400 ms.

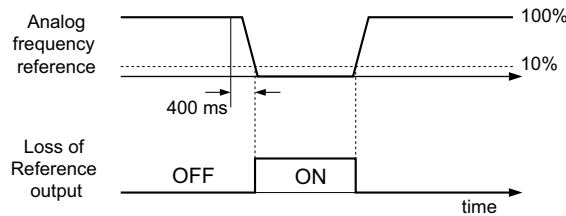


Figure 5.100 Loss of Reference Function

To have a digital output trigger when frequency reference loss occurs, set H2-01, H2-02, or H2-03 to C. *Refer to Setting C: Frequency reference loss on page 228* for details on setting the output function.

Parameter L4-05 selects the operation when a frequency reference loss is detected.

| No. | Name | Setting Range | Default |
|-------|--|---------------|---------|
| L4-05 | Frequency Reference Loss Detection Selection | 0 or 1 | 0 |

Setting 0: Stop

Drive follows the frequency reference (which is no longer present) and simply stops the motor.

Setting 1: Continue operation with reduced frequency reference

The drive will continue operation at the frequency reference value set in parameter L4-06. When the external frequency reference value is restored, the operation is continued with the frequency reference.

■ **L4-06: Frequency Reference at Reference Loss**

Sets the frequency reference level the drive runs with when L4-05 = 1 and a reference loss was detected. The value is set as a percentage of the frequency reference before the loss was detected.

| No. | Name | Setting Range | Default |
|-------|---------------------------------------|---------------|---------|
| L4-06 | Frequency Reference at Reference Loss | 0.0 to 100.0% | 80.0% |

■ **L4-07: Speed Agreement Detection Selection**

Determines when frequency detection is active using parameters L4-01 through L4-04.

| No. | Name | Setting Range | Default |
|-------|-------------------------------------|---------------|---------|
| L4-07 | Speed Agreement Detection Selection | 0 or 1 | 0 |

Setting 0: No detection during baseblock

Setting 1: Detection always enabled

◆ **L5: Fault Restart**

After a fault has occurred, this function attempts to automatically restart the motor and continue operation instead of stopping.

The drive can be set up to perform a self-diagnostic check and resume the operation after a fault has occurred. If the self-check is successful and the cause of the fault has disappeared, the drive restarts by first performing Speed Search (*Refer to b3: Speed Search on page 146* for details).

DANGER! Never use the fault restart function in hoist-type applications.

The drive can attempt to restart itself following the faults listed below.

| Fault | Name | Fault | Name |
|-------|-------------------|-------|--------------------------|
| GF | Ground Fault | oL4 | Overtorque 2 |
| LF | Output Open Phase | ov | DC Bus Overvoltage |
| oC | Overcurrent | PF | Input Phase Loss |
| oH1 | Drive Overheat | rH | Braking Resistor Fault |
| oL1 | Motor Overload | rr | Braking Transistor Fault |
| oL2 | Drive Overload | Uv1 | DC Bus Undervoltage <I> |
| oL3 | Overtorque 1 | Sto | Pull-Out Detection |

<I> When L2-01 is set to 1 through 4 (continue operation during momentary power loss)

5.8 L: Protection Functions

Use parameters L5-01 to L5-05 to set up automatic fault restart.

To output a signal during fault restart, set H2-01, H2-02, or H2-03 to 1E.

■ L5-01: Number of Auto Restart Attempts

Sets the number of times that the drive may attempt to restart itself.

The method of incrementing the restart counter is determined by the setting of parameter L5-05. When the counter reaches the number set in L5-01, the operation stops and the fault has to be reset manually after correcting the cause.

The restart counter is incremented at each restart attempt, regardless of whether the attempt was successful. When the counter reaches the number set in L5-01, the operation stops and the fault has to be reset manually after correcting the cause.

The number of fault restarts is reset back to zero when:

- The drive operates normally for ten minutes following a fault restart.
- A fault is cleared manually after protective functions are triggered.
- The power supply is cycled.

| No. | Name | Setting Range | Default |
|-------|---------------------------------|---------------|---------|
| L5-01 | Number of Auto Restart Attempts | 0 to 10 Times | 0 Time |

■ L5-02: Auto Restart Fault Output Operation Selection

Determines if a fault output is triggered (H2-□□ = E) when the drive attempts to restart.

| No. | Name | Setting Range | Default |
|-------|---|---------------|---------|
| L5-02 | Auto Restart Fault Output Operation Selection | 0 or 1 | 0 |

Setting 0: No fault output

Setting 1: Fault output is set

■ L5-04: Fault Reset Interval Time

Determines the amount of time to wait between restart attempts when parameter L5-05 is set to 1.

| No. | Name | Setting Range | Default |
|-------|---------------------------|----------------|---------|
| L5-04 | Fault Reset Interval Time | 0.5 to 600.0 s | 10.0 s |

■ L5-05: Fault Reset Operation Selection

| No. | Name | Setting Range | Default |
|-------|---------------------------------|---------------|---------|
| L5-05 | Fault Reset Operation Selection | 0 or 1 | 0 |

Setting 0: Count successful restarts

The drive will continuously attempt to restart. If it restarts successfully, the restart counter is increased. This operation is repeated each time a fault occurs until the counter reaches the value set in L5-01.

Setting 1: Count restart attempts

The drive will try to restart using the time interval set in parameter L5-04. A record is kept of the number of attempts to restart to the drive, regardless of whether or not those attempts were successful. When the number of attempted restarts exceeds the value set to L5-01, the drive gives up trying to restart.

◆ L6: Torque Detection

The drive provides two independent torque detection functions that trigger an alarm or fault signal when the load is too heavy (oL), or suddenly drops (UL). They are set up using the L6-□□ parameters. To indicate the underload or overload condition to an external device, digital outputs should be programmed as shown below.

Note: When overtorque occurs in the application, the drive may stop due to overcurrent (oC) or overload (oL1). To prevent this, an overload situation should be indicated to the controller before oC or oL1 occur in the drive. Use the torque detection for this purpose. Use undertorque detection to discover application problems like a torn belt, a pump shutting off, or other similar trouble.

| H2-01, H2-02, H2-03 Setting | Description |
|-----------------------------|---|
| B | Torque detection 1, N.O. (output closes when overload or underload is detected) |
| 17 | Torque detection 1, N.C. (output opens when overload or underload is detected) |
| 18 | Torque detection 2, N.O. (output close when overload or underload is detected) |
| 19 | Torque detection 2, N.C. (output opens when overload or underload is detected) |

Figure 5.101 and Figure 5.102 show the function of overtorque and undertorque detection.

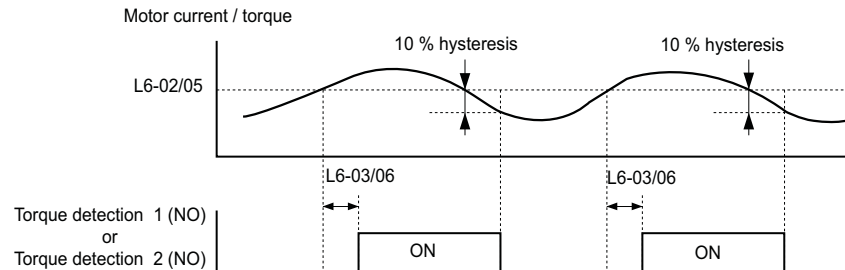


Figure 5.101 Overtorque Detection Operation

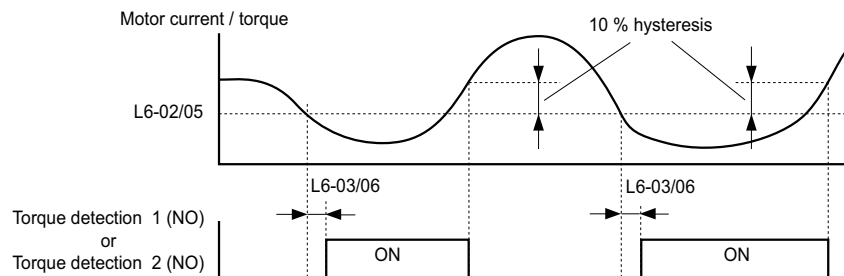


Figure 5.102 Undertorque Detection Operation

- Note:**
1. The torque detection function uses a hysteresis of 10% of the drive rated output current and motor rated torque.
 2. In V/f, V/f w/PG and OLV/PM, the level is set as a percentage of the drive rated output current. In OLV, CLV, AOLV/PM and CLV/PM, it is set as a percentage of the motor rated torque.

■ L6-01, L6-04: Torque Detection Selection 1, 2

The torque detection function is triggered when the current or torque exceeds the levels set in L6-02 and L6-05 for longer than the time set in L6-03 and L6-06. L6-01 and L6-04 select the conditions for detection and the operation that follows.

| No. | Name | Setting Range | Default |
|-------|------------------------------|---------------|---------|
| L6-01 | Torque Detection Selection 1 | 0 to 8 | 0 |
| L6-04 | Torque Detection Selection 2 | 0 to 8 | 0 |

Setting 0: Disabled

Setting 1: oL3, oL4 at speed agree (alarm)

Overtorque detection is active only when the output speed is equal to the frequency reference, i.e., no detection during acceleration and deceleration. The operation continues after detection and an oL3/oL4 alarm is triggered.

Setting 2: oL3, oL4 at run (alarm)

Overtorque detection works as long as the Run command is active. The operation continues after detection and an oL3 or oL4 alarm is triggered.

Setting 3: oL3, oL4 at speed agree (fault)

Overtorque detection is active only when the output speed is equal to the frequency reference, i.e., no detection during acceleration and deceleration. The operation is stopped and an oL3 or oL4 fault is triggered.

Setting 4: oL3, oL4 at run - (fault)

Overtorque detection works as long as a Run command is active. Operation stops and an oL3 or oL4 fault is triggered.

5.8 L: Protection Functions

Setting 5: UL3, UL4 at speed agree (alarm)

Undertorque detection is active only when the output speed is equal to the frequency reference, i.e., no detection during acceleration and deceleration. The operation continues after detection and an oL3 or oL4 alarm is triggered.

Setting 6: UL3, UL4 at Run - Alarm

Undertorque detection works as long as the Run command is active. The operation continues after detection and an oL3 or oL4 alarm is triggered.

Setting 7: UL3, UL4 at Speed Agree - Fault

Undertorque detection is active only when the output speed is equal to the frequency reference, i.e., no detection during acceleration and deceleration. The operation is stopped and an oL3 or oL4 fault is triggered.

Setting 8: UL3, UL4 at run - fault

Undertorque detection works as long as a Run command is active. Operation stops and an oL3 or oL4 fault is triggered.

■ L6-02, L6-05: Torque Detection Level 1, 2

These parameters set the detection levels for the torque detection functions 1 and 2. In V/f and OLV/PM control modes these levels are set as a percentage of the drive rated output current, while in vector control modes these levels are set as a percentage of the motor rated torque.

| No. | Name | Setting Range | Default |
|-------|--------------------------|---------------|---------|
| L6-02 | Torque Detection Level 1 | 0 to 300% | 150% |
| L6-05 | Torque Detection Level 2 | 0 to 300% | 150% |

Note: The torque detection level 1 (L6-02) can also be supplied by an analog input terminal set to H3-□□ = 7. Here, the analog value has priority and the setting in L6-02 is disregarded. Torque detection level 2 (L6-05) cannot be set by an analog input.

■ L6-03, L6-06: Torque Detection Time 1, 2

These parameters determine the time required to trigger an alarm or fault after exceeding the levels in L6-02 and L6-05.

| No. | Name | Setting Range | Default |
|-------|-------------------------|---------------|---------|
| L6-03 | Torque Detection Time 1 | 0.0 to 10.0 s | 0.1 s |
| L6-06 | Torque Detection Time 2 | 0.0 to 10.0 s | 0.1 s |

■ Mechanical Weakening Detection

This function can be used to detect mechanical weakening of a machine that leads to overtorque or undertorque situations after a certain machine operation time has elapsed.

The function is activated in the drive when the cumulative operation counter U4-01 exceeds the time set in parameter L6-11. Mechanical Weakening Detection uses the torque detection 1 settings (L6-01, L6-02, L6-03) and triggers an oL5 fault when overtorque or undertorque occurs in the speed range determined by parameter L6-08 and L6-09. The oL5 operation is set by parameter L6-08.

To output a signal for Mechanical Weakening Detection, set H2-□□ to 22.

■ L6-08: Mechanical Weakening Detection Operation

Sets the speed range to detect mechanical weakening and the action to take when mechanical weakening is detected.

| No. | Name | Setting Range | Default |
|-------|--|---------------|---------|
| L6-08 | Mechanical Weakening Detection Operation | 0 to 8 | 0 |

Setting 0: Disabled

Setting 1: Continue running if the speed is greater than L6-09 (signed) (alarm)

Detection when the speed is above L6-09 (signed). Upon detection operation continues, but an oL5 alarm is output.

Setting 2: Continue running if the speed is greater than L6-09 (alarm)

Detection when the speed is above L6-09 (unsigned). Upon detection operation continues, but an oL5 alarm is output.

Setting 3: Stop when motor speed is greater than L6-09 (signed)

Detection when the speed is above L6-09 (signed). Upon detection operation is stopped and an oL5 fault is output.

Setting 4: Stop when Motor Speed is Greater than L6-09

Detection when the speed is above L6-09 (unsigned). Upon detection operation is stopped and a fault is output.

Setting 5: Continue running if the speed is less than L6-09 (signed) (alarm)

Detection when the speed is below L6-09 (signed). Upon detection operation continues, but an oL5 alarm is output.

Setting 6: Continue running if the speed is less than L6-09 (alarm)

Detection when the speed is below L6-09 (unsigned). Upon detection operation continues, but an oL5 alarm is output.

Setting 7: Stop when Motor Speed is less than L6-09 (signed)

Detection when the speed is below L6-09 (signed). Upon detection operation is stopped and an oL5 fault is output.

Setting 8: Stop when motor speed is less than L6-09

Detection when the speed is below L6-09 (unsigned). Upon detection the operation is stopped and an oL5 fault is output.

■ L6-09: Mechanical Weakening Detection Speed Level

Sets the speed level for Mechanical Weakening Detection.

| No. | Name | Setting Range | Default |
|-------|--|------------------|---------|
| L6-09 | Mechanical Weakening Detection Speed Level | -110.0 to 110.0% | 110% |

The value is set as a percentage of the maximum frequency. If L6-08 is set for unsigned speed detection (L6-08 = 2, 4, 6, 8) then the absolute value of L6-09 is used (negative settings are treated as positive values).

■ L6-10: Mechanical Weakening Detection Time

Sets the time permitted for the situation selected in parameter L6-08 to arise before mechanical weakening is detected.

| No. | Name | Setting Range | Default |
|-------|-------------------------------------|---------------|---------|
| L6-10 | Mechanical Weakening Detection Time | 0.0 to 10.0 s | 0.1 s |

■ L6-11: Mechanical Weakening Detection Start Time

Sets the drives cumulative operation time at which Mechanical Weakening Detection is activated. If U4-01 reaches the L6-11 value, the function is activated.

| No. | Name | Setting Range | Default |
|-------|---|------------------|---------|
| L6-11 | Mechanical Weakening Detection Start Time | 0 to 65535 (Hex) | 0 (Hex) |

◆ L7: Torque Limit

The torque limit function can be used to limit the torque in each of the four quadrants individually and thereby protect the machinery. It can be used in OLV, CLV, AOLV/PM, and CLV/PM control modes. The limit can be either set by parameters or by analog inputs. A digital output programmed for “During torque limit” (H2-01, H2-02, H2-03 = 30) can be switched when the drive is operating at the torque limit.

■ Setting Torque Limits

The torque limits are defined by parameters L7-01 to L7-04 for each of the four operation quadrants. Analog inputs can also be used to either define a general limit for all operation conditions (H3-02, H3-06, H3-10 = 15) or for setting separate limits for each operation condition (H3-02, H3-06, H3-10 = 10, 11, or 12). *Figure 5.103* shows which of the limit settings is applied in each quadrant.

If two limit values are defined for the same operation conditions, the drive will use the lower value.

Note: The maximum output torque is ultimately limited by the drive output current (max. 150% of drive rated current in HD, 120% in ND). Output torque will not exceed the limit set for the drive rated current, even if the torque limits are set to higher values.

5.8 L: Protection Functions

Example: If parameter L7-01 = 130%, L7-02 to L7-04 = 200%, and a general torque limit of 150% is set by an analog input (H2-02, H2-06, H2-10 = 15), then the torque limit in quadrant 1 will be 130%, but 150% in all other quadrants.

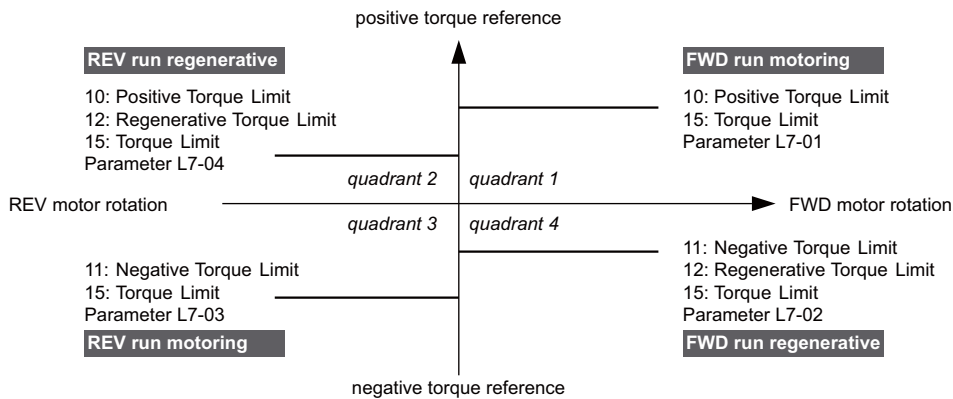


Figure 5.103 Torque Limit Parameters and Analog Input Settings

■ L7-01 to L7-04: Torque Limits

These parameters set the torque limits in each operation mode.

| No. | Name | Setting Range | Default |
|-------|-----------------------------------|---------------|---------|
| L7-01 | Forward Torque Limit | 0 to 300% | 200% |
| L7-02 | Reverse Torque Limit | 0 to 300% | 200% |
| L7-03 | Forward Regenerative Torque Limit | 0 to 300% | 200% |
| L7-04 | Reverse Regenerative Torque Limit | 0 to 300% | 200% |

Note: If the multi-function analog input is programmed for “10: Forward torque limit”, “11: Reverse torque limit”, “12: Regenerative torque limit”, or “15: General torque limit”, the drive uses the lower value in L7-01 through L7-04, or analog input torque limit.

■ L7-06: Torque Limit Integral Time Constant

Sets the integral time constant for the torque limit function. Decrease this setting for faster torque limit response. Increase it if oscillation occur when operating at the torque limit.

| No. | Name | Setting Range | Default |
|-------|-------------------------------------|---------------|---------|
| L7-06 | Torque Limit Integral Time Constant | 5 to 10000 ms | 200 ms |

■ L7-07: Torque Limit Control Method Selection during Accel/Decel

Selects the function of torque limit during acceleration and deceleration.

| No. | Name | Setting Range | Default |
|-------|--|---------------|---------|
| L7-07 | Torque Limit Control Method Selection during Accel/Decel | 0 or 1 | 0 |

Setting 0: Proportional control

The torque limit function works with P control during accel and decel, and switches to I control at constant speed. Use this setting when accelerating or decelerating to the desired speed has priority over the torque limit during speed changes.

Setting 1: Integral control

The torque limit function always uses I control. Use this setting when a highly accurate torque limit is required, even during speed changes. Using this function may increase the acceleration time, or may prevent the motor speed from reaching the frequency reference if the torque limit is reached first.

■ L7-16: Torque Limit Process at Start

Assigns a time filter to allow the torque limit to build at start.

| No. | Name | Setting Range | Default |
|-------|-------------------------------|---------------|---------|
| L7-16 | Torque Limit Process at Start | 0 to 1 | 1 |

Setting 0: Disabled

Torque limit is created at start without a delay time. Disable L7-16 to maximize response time when the application requires sudden acceleration or deceleration at start.

Setting 1: Enabled

A time filter is added to allow the torque limit to build at start.

◆ L8: Drive Protection**■ L8-01: Internal Dynamic Braking Resistor Protection Selection (ERF type)**

This parameter selects the dynamic braking resistor protection when using an optional heatsink mounted braking resistor (ERF type, 3% ED).

| No. | Name | Setting Range | Default |
|-------|---|---------------|---------|
| L8-01 | Internal Dynamic Braking Resistor Protection Selection (ERF type) | 0 or 1 | 0 |

Setting 0: Disabled

Disables braking resistor protection. Use this setting for any dynamic braking option other than the Yaskawa ERF type resistor.

Setting 1: Enabled

Enables protection for ERF type resistors.

■ L8-02: Overheat Alarm Level

Sets the overheat alarm (oH) detection level.

The drive will output an alarm when the heatsink temperature exceeds the alarm level set in parameter L8-02. If the operation when this alarm occurs is set for continued operation (L8-03 = 4) and the temperature reaches the overheat fault level, the drive will trigger an oH1 fault and stop operation.

When an output terminal is set for the oH pre-alarm (H2-□□ = 20), the switch will close when the heatsink temperature rises above L8-02.

| No. | Name | Setting Range | Default |
|-------|----------------------|---------------|-------------------------------|
| L8-02 | Overheat Alarm Level | 50 to 150 °C | Determined by C6-01 and o2-04 |

■ L8-03: Overheat Pre-Alarm Operation Selection

Sets the operation when an overheat pre-alarm is detected.

| No. | Name | Setting Range | Default |
|-------|--|---------------|---------|
| L8-03 | Overheat Pre-Alarm Operation Selection | 0 to 4 | 3 |

Setting 0: Ramp to stop

If an overheat alarm occurs, the drive decelerates to stop using the deceleration time currently selected. If a digital output is programmed for "fault" (H2-□□ = E), this output will be triggered.

Setting 1: Coast to stop

If heatsink overheat (oH) occurs, the drive switches off the output and the motor coasts to stop. If a digital output is programmed for "fault" (H2-□□ = E), this output will be triggered.

Setting 2: Fast Stop

If an overheat alarm occurs, the drive decelerates to stop using the Fast Stop time (C1-09). If a digital output is programmed for "fault" (H2-□□ = E), this output will be triggered.

Setting 3: Alarm only

If an overheat alarm occurs, an alarm is output and the drive continues operation.

5.8 L: Protection Functions

Setting 4: Operation with reduced speed

If an overheat alarm occurs, the operation is continued but the speed is reduced to the level set in parameter L8-19. If after 10 s the oH alarm is still present, the speed is reduced once more. The amount of reduction depends on how often the alarm repeats. If the oH alarm disappears while the drive is operating at a reduced speed, then the drive will switch back to the previous speed it was reduced to before. *Figure 5.104* explains the operation with reduced speed during an oH alarm. A digital output programmed for 4D is switched when the oH alarm is still active after ten reduction cycles.

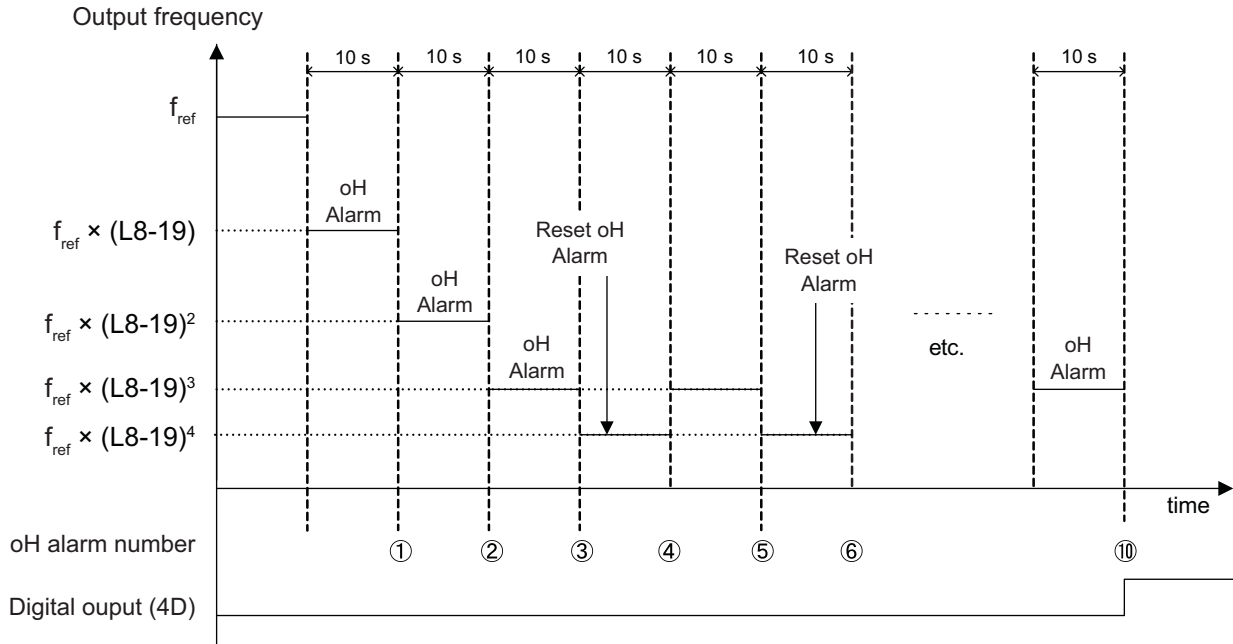


Figure 5.104 Output Frequency Reduction During Overheat Alarm

■ L8-19: Frequency Reduction Rate during Overheat Pre-Alarm

Specifies how much the output frequency is reduced when L8-03 is set to 4 and an oH alarm is present. Set as a factor of the maximum output frequency.

| No. | Name | Setting Range | Default |
|-------|--|---------------|---------|
| L8-19 | Frequency Reduction Rate During Overheat Pre-Alarm | 0.1 to 0.9 | 0.8 |

■ L8-05: Input Phase Loss Protection Selection

Enables or disables the input phase loss detection.

| No. | Name | Setting Range | Default |
|-------|---------------------------------------|---------------|---------|
| L8-05 | Input Phase Loss Protection Selection | 0 or 1 | 1 |

Setting 0: Disabled

Setting 1: Enabled

Enables input phase loss detection. As detection is performed by measuring the DC bus ripple, a phase loss fault (PF) can also be triggered by a power supply voltage imbalance or main circuit capacitor deterioration. Detection is disabled if:

- The drive is decelerating.
- No Run command is active.
- Output current is less than or equal to 30% of the drive rated current.

■ L8-07: Output Phase Loss Protection Selection

Enables or disables the output phase loss detection, which is triggered when the output current falls below 5% of the drive rated current.

- Note:**
1. Output phase loss detection can mistakenly be triggered if the motor rated current is very small compared to the drive rating. Disable this parameter in such cases.
 2. Output phase loss detection is not possible when the drive is running a PM motor with light load.

| No. | Name | Setting Range | Default |
|-------|--|---------------|---------|
| L8-07 | Output Phase Loss Protection Selection | 0 to 2 | 0 |

Setting 0: Disabled**Setting 1: Fault when one phase is lost**

An output phase loss fault (LF) is triggered when one output phase is lost. The output shuts off and the motor coasts to stop.

Setting 2: Fault when two phases are lost

An output phase loss fault (LF) is triggered when two output phases are lost. The output shuts off and the motor coasts to stop.

■ L8-09: Output Ground Fault Detection Selection

Enables or disables the output ground fault detection.

| No. | Name | Setting Range | Default |
|-------|---|---------------|---------|
| L8-09 | Output Ground Fault Detection Selection | 0 or 1 | 1 |

Setting 0: Disabled

Ground faults are not detected.

Setting 1: Enabled

A ground fault (GF) is triggered when high leakage current or a ground short circuit occurs in one or two output phases.

■ L8-10: Heatsink Cooling Fan Operation Selection

Selects the heatsink cooling fan operation.

| No. | Name | Setting Range | Default |
|-------|--|---------------|---------|
| L8-10 | Heatsink Cooling Fan Operation Selection | 0 or 1 | 0 |

Setting 0: Run with timer

The fan is switched on when a Run command is active. It is switched off with the delay set in parameter L8-11 after the Run command has been released. Using this setting extends the fan lifetime.

Setting 1: Run always

The fan runs whenever power is supplied to the drive.

■ L8-11: Heatsink Cooling Fan Off-Delay Time

Sets the cooling fan switch off-delay time if parameter L8-10 is set to 0.

| No. | Name | Setting Range | Default |
|-------|-------------------------------------|---------------|---------|
| L8-11 | Heatsink Cooling Fan Off-Delay Time | 0 to 300 s | 60 s |

■ L8-12: Ambient Temperature Setting

If the temperature where the drive is mounted is above the specified values, the drive rated current must be reduced for optimal performance life. By setting the ambient temperature to parameter L8-12 and adjusting the installation method setting in L8-35, the drive rating automatically adapts to safe values.

| No. | Name | Setting Range | Default |
|-------|-----------------------------|---------------|---------|
| L8-12 | Ambient Temperature Setting | -10 to 50 °C | 40 °C |

5.8 L: Protection Functions

■ L8-15: oL2 Characteristics Selection at Low Speeds

Selects whether the drive overload capability (oL fault detection level) is reduced at low speeds in order to prevent premature output transistor failures.

Note: Contact Yaskawa for consultation first before disabling this setting.

| No. | Name | Setting Range | Default |
|-------|--|---------------|---------|
| L8-15 | oL2 Characteristics Selection at Low Speed | 0 or 1 | 1 |

Setting 0: Protection disabled at low speed

The overload protection level is not reduced. Frequently operating the drive with high output current at low speed can lead to premature drive faults.

Setting 1: protection enabled at low speed

The overload protection level (oL2 fault detection level) is automatically reduced at speeds below 6 Hz.

■ L8-18: Software Current Limit Selection

The Software Current Limit (CLA) is a drive protection function that prevents main circuit transistor failures caused by high current. Parameter L8-18 enables or disables this function.

Note: This setting should not be changed unless absolutely necessary. For proper drive protection and operation leave the Software CLA function enabled.

| No. | Name | Setting Range | Default |
|-------|----------------------------------|---------------|---------|
| L8-18 | Software Current Limit Selection | 0 or 1 | 0 |

Setting 0: Software CLA disabled (gain = 0)

The drive may trip on an oC fault if the load is too heavy or the acceleration is too short.

Setting 1: Software CLA enabled

When the soft CLA current level is reached, the drive reduces the output voltage in order to reduce the current. If the current level drops below the Software CLA level, then normal operation will continue.

■ L8-27: Overcurrent Detection Gain

Adjusts the overcurrent detection level when running in OLV/PM, AOLV/PM, or CLV/PM. A setting of 100% is equal to the motor rated current. When the drive rated current is considerably higher than the motor rated current, use this parameter to decrease the overcurrent level in order to prevent motor demagnetization by too high current.

Overcurrent detection will use whichever value is the lowest: the overcurrent level for the drive, or the motor rated current multiplied by L8-27.

| No. | Name | Setting Range | Default |
|-------|----------------------------|---------------|---------|
| L8-27 | Overcurrent Detection Gain | 0.0 to 300.0% | 300.0% |

■ L8-29: Current Unbalance Detection (LF2)

Enables or disables output current imbalance detection when running in OLV/PM, AOLV/PM, or CLV/PM. Current unbalance can heat up a PM motor and lead to demagnetization of the magnets. The current imbalance detection function prevents such motor damage by monitoring output current and triggering the LF2 fault when current unbalance occurs.

| No. | Name | Setting Range | Default |
|-------|-----------------------------------|---------------|---------|
| L8-29 | Current Unbalance Detection (LF2) | 0 or 1 | 1 |

Setting 0: Disabled

No current unbalance protection is provided to the motor.

Setting 1: Enabled

The LF2 fault is triggered if an output current imbalance is detected. Drive output shuts off and the motor coasts to stop.

■ L8-35: Installation Method Selection

Selects the type of installation for the drive and changes the drive overload (oL2) limits accordingly.

- Note:**
1. This parameter is not reset when the drive is initialized.
 2. The value is preset to the appropriate value when the drive is shipped. Change the value only when using Side-by-Side installation or when mounting a standard drive with the heatsink outside the cabinet.

| No. | Name | Setting Range | Default |
|-------|-------------------------------|---------------|---------------------|
| L8-35 | Installation Method Selection | 0 to 3 | Determined by o2-04 |

Setting 0: IP00 enclosure

For an IP00 enclosure drive installed with at a minimum of 30 mm space to the next drive or a cabinet wall.

Setting 1: Side-by-Side mounting

For drives mounted according to Yaskawa's Side-by-Side specifications (requires 2 mm between drives).

Setting 2: IP20 or NEMA Type 1 enclosure

For drives compliant with IP20 or NEMA Type 1 enclosure specifications.

Setting 3: Finless drive or external heatsink Installation

For finless drives or a standard drive mounted with the heatsink outside the cabinet or enclosure panel.

■ L8-38: Carrier Frequency Reduction Selection

Lets the drive reduce the carrier frequency when the output current exceeds a certain level. This temporarily increases the overload capability (oL2 detection), allowing the drive to run through transient load peaks without tripping.

L8-38 selects the operation of the carrier frequency reduction function.

- Note:** This function cannot be used in Advanced Open Loop Vector for PM motors.

| No. | Name | Setting Range | Default |
|-------|---------------------------------------|---------------|--------------------------------------|
| L8-38 | Carrier Frequency Reduction Selection | 0 to 2 | Determined by A1-02, C6-01 and o2-04 |

Setting 0: Disabled

No carrier frequency reduction at high current.

Setting 1: Enabled for output frequencies below 6 Hz

The carrier frequency is reduced at speeds below 6 Hz when the current exceeds 100% of the drive rated current. The drive returns to its normal carrier frequency when the current falls below 88% or the output frequency exceeds 7 Hz.

Setting 2: Enabled for entire frequency range

The carrier frequency is reduced at the following speeds:

- Below 6 Hz when the current exceeds 100% of the drive rated current.
- Above 7 Hz when the current exceeds 112% of the drive rated current.

The drive uses the delay time set in parameter L8-40 and a hysteresis of 12% when switching the carrier frequency back to the set value.

■ L8-40: Carrier Frequency Reduction Off-Delay Time

Sets a hold time before returning to the original carrier frequency setting after the carrier frequency has been temporarily derated as determined by L8-38. The carrier frequency reduction function is disabled if this value is 0.00 s.

| No. | Name | Setting Range | Default |
|-------|--|----------------|---------------------|
| L8-40 | Carrier Frequency Reduction Off-Delay Time | 0.00 to 2.00 s | Determined by A1-02 |

■ L8-41: High Current Alarm Selection

Triggers a high current alarm (HCA) when the output current rises too much.

| No. | Name | Setting Range | Default |
|-------|------------------------------|---------------|---------|
| L8-41 | High Current Alarm Selection | 0 or 1 | 0 |

5.8 L: Protection Functions

Setting 0: Disabled

No alarm is detected.

Setting 1: Enabled

An alarm is triggered when the output current exceeds 150% of the drive rated current. A digital output set for an alarm (H2-□□ = 10) will close.

■ L8-55: Internal Braking Transistor Protection

Enables or disables protection for the internal braking transistor.

| No. | Name | Setting Range | Default |
|-------|--|---------------|---------|
| L8-55 | Internal Braking Transistor Protection | 0 or 1 | 1 |

Setting 0: Disabled

Braking transistor protection should be disabled whenever the internal braking transistor is not used. This includes,

- when using a regen converter such as DC5.
- when using a regen unit such as RC5.
- when using external braking transistor options like CDBR units.
- when the drive is used in common DC bus applications and the internal braking chopper is not installed.

Enabling this L8-55 under such conditions can incorrectly trigger a braking transistor fault (rF).

Setting 1: Enabled

The following models come with a built-in braking transistor:

- CIMR-A□2A0004 to 0138
- CIMR-A□4A0002 to 0072

Enable L8-55 when connecting a braking resistor or a braking resistor unit to the drive built-in braking transistor.

5.9 n: Special Adjustments

These parameters handle a variety of specialized adjustments and functions, including Hunting Prevention, AFR Control, High Slip Braking, resistance between motor lines, and PM motor control functions.

◆ n1: Hunting Prevention

Hunting Prevention keeps the drive from hunting as a result of low inertia and operating with light load. Hunting often occurs with a high carrier frequency and an output frequency below 30 Hz.

■ n1-01: Hunting Prevention Selection

Enables or disables the Hunting Prevention function.

Note: This function is available only when using V/f Control. Hunting Prevention should be disabled when drive response is more important than suppressing motor oscillation. This function can also be disabled without any problems in applications with high inertia loads or relatively heavy loads.

| No. | Name | Setting Range | Default |
|-------|------------------------------|---------------|---------|
| n1-01 | Hunting Prevention Selection | 0 or 1 | 1 |

Setting 0: Disabled

Setting 1: Enabled

■ n1-02: Hunting Prevention Gain Setting

Sets the gain for the Hunting Prevention Function.

| No. | Name | Setting Range | Default |
|-------|---------------------------------|---------------|---------|
| n1-02 | Hunting Prevention Gain Setting | 0.00 to 2.50 | 1.00 |

Normally, n1-02 does not need to be changed, but adjustment may help under the following conditions:

- If the motor vibrates while lightly loaded and n1-01 = 1, increase the gain by 0.1 until vibration ceases.
- If the motor stalls while n1-01 = 1, decrease the gain by 0.1 until the stalling ceases.

■ n1-03: Hunting Prevention Time Constant

Determines how responsive the Hunting Prevention function is (affects the primary delay time for Hunting Prevention).

| No. | Name | Setting Range | Default |
|-------|----------------------------------|---------------|---------------------|
| n1-03 | Hunting Prevention Time Constant | 0 to 500 ms | Determined by o2-04 |

Normally, n1-03 does not need to be changed, but adjustment may help under the following conditions:

- Increase this value for applications with a large load inertia. A higher setting leads to slower response, though, which can result in oscillation at lower frequencies.
- Lower this setting if oscillation occurs at low speed.

■ n1-05: Hunting Prevention Gain while in Reverse

This parameter is the same as n1-02, except that it is used when rotating in reverse. See the explanation for n1-02.

Note: When set to 0 ms, n1-02 is enabled even when the drive is operating in reverse.

| No. | Name | Setting Range | Default |
|-------|--|---------------|---------|
| n1-05 | Hunting Prevention Gain while in Reverse | 0.00 to 2.50 | 0.00 |

5.9 n: Special Adjustments

◆ n2: Speed Feedback Detection Control (AFR) Tuning

These parameters are used to achieve speed stability when a load is suddenly applied or removed.

Note: Before making changes to the AFR parameters, make sure all motor parameters are set properly or perform Auto-Tuning.

■ n2-01: Speed Feedback Detection Control (AFR) Gain

Sets the internal speed feedback detection control gain in the AFR.

| No. | Name | Setting Range | Default |
|-------|---|---------------|---------|
| n2-01 | Speed Feedback Detection Control (AFR) Gain | 0.00 to 10.00 | 1.00 |

Normally there is no need to adjust n2-01 from the default setting. Make adjustments in the following cases:

- If hunting occurs, increase the setting value in steps of 0.05 while checking the response.
- If response is low, decrease the setting value in steps of 0.05 while checking the response.

■ n2-02, n2-03: Speed Feedback Detection Control (AFR) Time Constant 1, 2

Parameter n2-02 sets the time constant normally used by AFR.

Parameter n2-03 sets the time constant during Speed Search or regenerative operation.

| No. | Name | Setting Range | Default |
|-------|--|---------------|---------|
| n2-02 | Speed Feedback Detection Control (AFR) Time Constant 1 | 0 to 2000 ms | 50 ms |
| n2-03 | Speed Feedback Detection Control (AFR) Time Constant 2 | 0 to 2000 ms | 750 ms |

Note: Parameter n2-02 cannot be set higher than n2-03 or an oPE08 error will result.

These parameters rarely need to be changed. Adjust settings only under the following conditions:

- If hunting occurs, increase n2-02. If response is low, decrease it.
- Increase n2-03 if overvoltage occurs with high inertia loads at the end of acceleration or with sudden load changes.
- If setting n2-02 to a higher value, also increase C4-02 (Torque Compensation Delay Time Constant 1) proportionally.
- If setting n2-02 to a higher value, also increase C4-06 (Torque Compensation Delay Time Constant 2) proportionally.

◆ n3: High Slip Braking (HSB) and Overexcitation Braking

■ High Slip Braking (V/f)

HSB works in V/f Control only and is used to decrease the stopping time compared to normal deceleration without using dynamic braking options. HSB stops the motor by reducing the output frequency in large steps, thus producing a high slip. Regenerative energy created from decelerating the load is dissipated in the motor windings through increased motor slip. Because of the increased temperature of the motor windings, HSB should not be used for frequently stopping the motor. The duty cycle should be around 5% or less.

Notes on using High Slip Braking:

- The deceleration time that has been set is ignored during HSB. Use Overexcitation Deceleration 1 (L3-04 = 4) or a dynamic braking option if the motor has to be stopped in a defined time.
- Braking time varies based on the load inertia and motor characteristics.
- HSB and KEB Ride-Thru cannot be used simultaneously. If enabled at the same time, an oPE03 will occur.
- HSB must be triggered by a digital input set to H1-□□ = 68. Once the HSB command is given, it is not possible to restart the drive until the motor has stopped completely and the Run command is cycled.
- Use parameters n3-01 through n3-04 for adjusting HSB.

■ n3-01: High Slip Braking Deceleration Frequency Width

Sets the step width for frequency reduction during HSB. Increase n3-01 if DC bus overvoltage (ov) occurs during HSB.

| No. | Name | Setting Range | Default |
|-------|--|---------------|---------|
| n3-01 | High Slip Braking Deceleration Frequency Width | 1 to 20% | 5% |

■ n3-02: High Slip Braking Current Limit

Sets the maximum current to be output during an HSB stop as a percentage of motor rated current (E2-01). Reducing the current limit increases the deceleration time. Make sure that this value does not exceed the drive's current rating.

- Lower this setting if overvoltage occurs during HSB.
- Lower this setting if motor current is too high during HSB. High current can damage the motor due to overheat.
- The default setting is 150% when the drive is set for Heavy Duty, and 120% when the drive is set for Normal Duty.

| No. | Name | Setting Range | Default |
|-------|---------------------------------|---------------|-------------------------------|
| n3-02 | High Slip Braking Current Limit | 100 to 200% | Determined by C6-01 and L8-38 |

■ n3-03: High Slip Braking Dwell Time at Stop

When the motor reaches a relatively low speed at the end of HSB, the output frequency is kept at the minimum output frequency E1-09 for the time set in n3-03. Increase this time if the inertia is very high and the motor is still coasting after HSB is complete.

| No. | Name | Setting Range | Default |
|-------|--------------------------------------|---------------|---------|
| n3-03 | High Slip Braking Dwell Time at Stop | 0.0 to 10.0 s | 1.0 s |

■ n3-04: High Slip Braking Overload Time

Sets the time required for an HSB overload fault (oL7) to occur when the drive output frequency does not change for some reason during an HSB stop. This can be caused by the load rotating the motor or by excessive load inertia, resulting in a high current. To protect the motor from overheat, the drive trips with an oL7 fault if such these conditions lasts longer than the time set in n3-04.

| No. | Name | Setting Range | Default |
|-------|---------------------------------|---------------|---------|
| n3-04 | High Slip Braking Overload Time | 30 to 1200 s | 40 s |

■ Overexcitation Deceleration (Induction Motors)

Overexcitation Deceleration increases the flux during deceleration and allows shorter deceleration time settings without the use of a braking resistor. Enabled by setting L3-04 to 4 or 5. See [L3-04: Stall Prevention Selection during Deceleration on page 258](#).

Notes on Overexcitation Deceleration

- As regenerative energy is mainly dissipated as heat in the motor, the motor temperature will rise if Overexcitation Deceleration is applied frequently. In such cases, make sure the motor temperature does not exceed the maximum allowable value or consider using a braking resistor option instead.
- During Overexcitation Deceleration 2, Hunting Prevention in V/f Control and torque limits in Open Loop Vector Control are disabled.
- Do not use Overexcitation Deceleration in combination with a braking resistor option.
- Overexcitation Deceleration can be used in Open and Closed Loop Vector Control, but it lowers the accuracy of Torque Control, and thereby the braking efficiency. It can be most efficiently used in a V/f Control.
- Overexcitation Deceleration cannot be used with PM motors.

Parameter Adjustments

- Use parameters n3-13 through n3-23 for adjusting Overexcitation Deceleration.
- When repetitive or long Overexcitation Deceleration results in motor overheat, lower the overexcitation gain (n3-13) and reduce the overslip suppression current level (n3-21).
- During Overexcitation Deceleration 1 (L3-04 = 4), the drive decelerates at the active deceleration time (C1-02, C1-04, C1-06, or C1-08). Make sure to set this time so that no overvoltage (ov) fault occurs.
- During Overexcitation Deceleration 2 (L3-04 = 5), the drive decelerates using the active deceleration time while adjusting the deceleration rate in order to keep the DC bus voltage at the level set in L3-17. The actual stopping time will be longer or shorter than the set deceleration time, depending on the motor characteristics and the load inertia. If overvoltage occurs (ov), try increasing the deceleration time.
- When a Run command is entered during Overexcitation Deceleration, overexcitation operation is cancelled and the drive will reaccelerate to the specified speed.

5.9 n: Special Adjustments

■ n3-13: Overexcitation Deceleration Gain

Multiplies a gain to the V/f pattern output value during Overexcitation Deceleration, thereby determining the level of overexcitation. The drive returns to the normal V/f value after the motor has stopped or when it is accelerating to the frequency reference.

| No. | Name | Setting Range | Default |
|-------|----------------------------------|---------------|---------|
| n3-13 | Overexcitation Deceleration Gain | 1.00 to 1.40 | 1.10 |

The optimum setting for n3-13 depends on the motor flux saturation characteristics.

- Increase the gain gradually by 1.25 to 1.30 to improve the braking power of Overexcitation Deceleration.
- If flux saturation characteristics cause overcurrent, try lowering n3-13. A high setting sometimes causes overcurrent (oC), motor overload (oL1), or drive overload (oL2). Lowering n3-21 can also help remedy these problems.

■ n3-14: High Frequency Injection during Overexcitation Deceleration

Enables High Frequency Injection while Overexcitation Deceleration is executed. Injecting high frequency into the motor increases loss, which in turn shortens deceleration time. This function tends to increase audible noise from the motor, and might not be desirable in environments where motor noise is a concern.

| No. | Name | Setting Range | Default |
|-------|---|---------------|---------|
| n3-14 | High Frequency Injection During Overexcitation Deceleration | 0 or 1 | 0 |

Setting 0: Disabled

Setting 1: Enabled

■ n3-21: High Slip Suppression Current Level

If the motor current exceeds the value set to n3-21 during Overexcitation Deceleration due to flux saturation, the drive will automatically reduce the overexcitation gain. Parameter n3-21 is set as a percentage of the drive rated current.

This parameter should be set to a relatively low value to optimize deceleration. If overcurrent, oL1, or oL2 occur during Overexcitation Deceleration, reduce the overslip suppression current level.

| No. | Name | Setting Range | Default |
|-------|-------------------------------------|---------------|---------|
| n3-21 | High Slip Suppression Current Level | 0 to 150% | 100% |

■ n3-23: Overexcitation Operation Selection

Limit the Overexcitation Deceleration operation selected in parameter L3-04 to forward only or reverse only.

| No. | Name | Setting Range | Default |
|-------|------------------------------------|---------------|---------|
| n3-23 | Overexcitation Operation Selection | 0 to 2 | 0 |

Setting 0: Overexcitation Operation as Selected in L3-04 in Forward and Reverse Direction

Setting 1: Overexcitation Operation as Selected in L3-04 in Forward Direction Only

Setting 2: Overexcitation Operation as Selected in L3-04 in Reverse Direction Only

◆ n5: Feed Forward Control

Enabling Feed Forward can improve the drives responsiveness to speed reference changes in applications where a high speed control proportional gain setting (ASR gain, C5-01, C5-03) would lead to problems with overshoot, undershoot, or oscillation. **Figure 5.105** gives an example of overshoot reduction by Feed Forward. Parameters related to this function and the function principle are illustrated in **Figure 5.106**. Feed Forward can only be used in Closed Loop Vector Control for induction or PM motors (A1-02 = 4 or 7), or in Advanced Open Loop Vector Control for PM motors (A1-02 = 6).

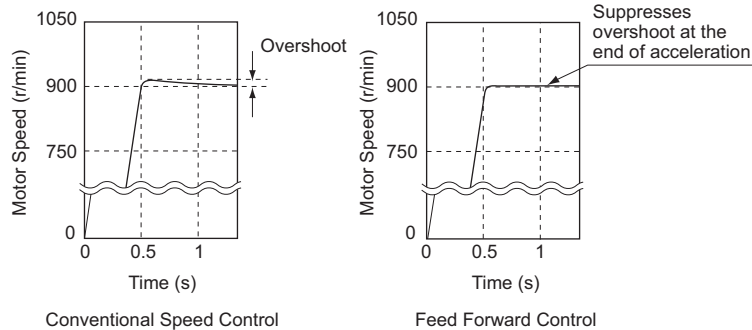


Figure 5.105 Overshoot Suppression by Feed Forward Control

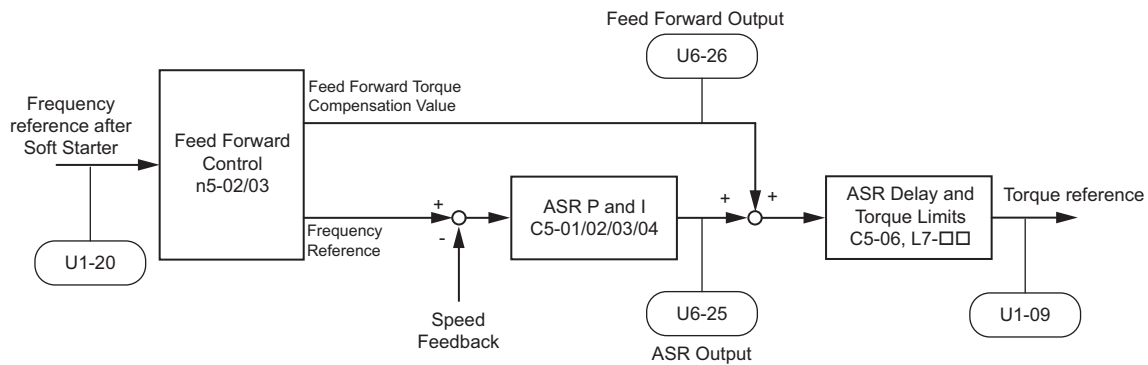


Figure 5.106 Feed Forward Control

- Note:**
1. Feed Forward can only be used in CLV, AOLV/PM, and CLV/PM control modes.
 2. Prior to using Feed Forward, always perform Auto-Tuning or set the correct motor data manually. Also perform ASR Auto-Tuning to set the speed loop gain (C5-01), or adjust it manually. Fine-tune the other speed control loop parameters (C5-□□) if required.
 3. If not restricted by the application, use Inertia Auto Tuning (T1-01 = 8) to have the drive automatically optimize Feed Forward parameters. If Inertia Auto Tuning cannot be performed, parameters related to Feed Forward should be set manually.

■ n5-01: Feed Forward Control Selection

Enables to disables the Feed Forward function.

| No. | Name | Setting Range | Default |
|-------|--------------------------------|---------------|---------|
| n5-01 | Feed Forward Control Selection | 0 or 1 | 0 |

Setting 0: Disabled

Setting 1: Enabled

■ n5-02: Motor Acceleration Time

Sets the time required to accelerate the motor from a full stop up to the rated speed at the rated torque.

| No. | Parameter Name | Setting Range | Default |
|-------|-------------------------|-------------------|--------------------------------------|
| n5-02 | Motor Acceleration Time | 0.001 to 10.000 s | Determined by C6-01, E5-01 and o2-04 |

This value can be set automatically by Inertia Auto-Tuning. If Inertia Auto-Tuning cannot be performed, use one of the methods below to determine the setting value for this parameter.

5.9 n: Special Adjustments

Calculation

The motor acceleration time can be calculated by,

| | |
|---|--|
| $n5-02 = \frac{\pi \cdot J_{\text{Motor}} \cdot n_{\text{rated}}}{30 \cdot T_{\text{rated}}}$ | <p>Where:</p> <ul style="list-style-type: none"> • J_{Motor} is the motor inertia in kgm/s². • n_{rated} is the rated speed of the motor in r/min • T_{rated} is the rated torque of the motor in N·m. |
|---|--|

OR

| | |
|--|--|
| $n5-02 = \frac{4 \cdot \pi \cdot J_{\text{Motor}} \cdot f_{\text{rated}}}{p \cdot T_{\text{rated}}}$ | <p>Where:</p> <ul style="list-style-type: none"> • J_{Motor} is the motor inertia in kgm/s². • f_{rated} is the rated frequency of the motor in Hz. • p is the number of motor poles (not pole pairs!). • T_{rated} is the rated torque of the motor in N·m. |
|--|--|

Measuring Acceleration Time

Take the following steps when measuring the motor acceleration time.

1. Decouple motor and load.
2. Make sure Auto-Tuning has been performed or that the correct motor data has been entered manually.
3. Make sure that the speed loop (ASR) has been set up properly.
4. Set the acceleration time to zero.
5. Set the forward torque limit in parameter L7-01 to 100%.
6. Set the frequency reference equal to the motor rated speed.
7. While monitoring the motor speed in U1-05, start the motor in the forward direction and measure the time it takes to reach the rated speed.
8. Reverse the parameter settings above and set the measured time to parameter n5-02.

■ n5-03: Feed Forward Control Gain

Parameter n5-03 sets the inertia ratio of the load connected to the motor.

| No. | Parameter Name | Setting Range | Default |
|-------|---------------------------|----------------|---------|
| n5-03 | Feed Forward Control Gain | 0.00 or 100.00 | 1.00 |

This value can be set automatically by Inertia Auto-Tuning. If Inertia Auto Tuning cannot be performed, determine the value for parameter n5-03 using the following steps.

1. Setup parameter n5-02 correctly.
2. Couple motor and load.
3. Set the acceleration time C1-01 to 0.
4. Set the torque limits in the L7-□□ parameters to a value that will easily be reached during the test ($T_{\text{Lim_Test}}$).
5. Set the frequency reference equal to a value in the upper speed range of the machine ($f_{\text{ref_Test}}$).
6. While monitoring the motor speed in U1-05, start the motor in the forward direction and measure the time it takes to reach the rated speed (t_{accel}).
7. Reverse the parameter settings above and calculate the set value for parameter n5-03 using the formula below.

| | |
|---|---|
| $n5-03 = \frac{t_{\text{accel}} \cdot T_{\text{Lim_Test}} \cdot f_{\text{rated}}}{n5-02 \cdot f_{\text{ref_Test}} \cdot 100} - 1$ | <p>Where:</p> <ul style="list-style-type: none"> • t_{accel} is the measured acceleration time in s. • f_{rated} is the rated frequency of the motor in Hz. • $T_{\text{Lim_Test}}$ is torque limit setting during the test. • $f_{\text{ref_Test}}$ is the frequency reference during the test in N·m. |
|---|---|

◆ n6: Online Tuning

Online Tuning prevents loss from insufficient torque and diminished speed control accuracy due to fluctuating motor temperature.

■ n6-01: Online Tuning Selection

Selects the type of motor data Online Tuning uses for Open Loop Vector Control.

| No. | Name | Setting Range | Default |
|-------|-------------------------|---------------|---------|
| n6-01 | Online Tuning Selection | 0 to 2 | 0 |

Setting 0: Disabled**Setting 1: Line-to-line resistance tuning**

This setting enables line-to-line resistance online tuning. This procedure is effective for speed values up to 6 Hz and improves the overload capacity in the low speed range by adjusting the value set for the motor resistance.

Setting 2: Voltage correction

The drive adjusts the output voltage during run to improve overload tolerance and minimize the effects of high temperatures on speed accuracy.

Note: This setting can only be selected if the Energy Saving function is disabled (b8-01 = 0).

■ n6-05: Online Tuning Gain

Sets the compensation gain for the voltage correction in the Online Tuning function (n6-01 = 2). Normally there is no need to adjust n6-05, but increase the set value in steps of 0.1 if an overload fault occurs during voltage correction.

| No. | Name | Setting Range | Default |
|-------|--------------------|---------------|---------|
| n6-05 | Online Tuning Gain | 0.10 to 5.00 | 1.00 |

◆ n8: PM Motor Control Tuning

These parameters are available in the vector control modes for permanent magnet motors and can be used to adjust the control performance.

■ n8-01: Initial Rotor Position Estimation Current (AOLV/PM)

Sets the current used for the initial rotor position estimation. The value is set as a percentage of the motor rated current.

| No. | Name | Setting Range | Default |
|-------|---|---------------|---------|
| n8-01 | Initial Rotor Position Estimation Current | 0 to 100% | 50% |

■ n8-02: Pole Attraction Current (AOLV/PM)

Sets the current applied to pull the rotor into position after the initial rotor position estimations are complete. The value is set as a percentage of the motor rated current. Increase this setting in order to increase the starting torque.

| No. | Name | Setting Range | Default |
|-------|-------------------------|---------------|---------|
| n8-02 | Pole Attraction Current | 0 to 150% | 80% |

■ n8-35: Initial Rotor Position Detection Selection (AOLV/PM, CLV/PM)

Selects how the rotor position is detected at start.

- Note:**
1. In CLV/PM, the drive performs a magnetic pole search the first time it starts the motor. After that, rotor position is calculated from the PG encoder signal and saved until the drive is switched off. Parameter n8-35 determines how this initial pole search operates.
 2. High Frequency Injection and pulse injection for rotor position detection (n8-35 = 1 or 2) can be used with IPM motors only. When using a SPM motor, select the pull in method to find the initial position of the rotor (n8-35 = 0).

| No. | Name | Setting Range | Default |
|-------|--|---------------|---------|
| n8-35 | Initial Rotor Position Detection Selection | 0 to 2 | 1 |

Setting 0: Pull in

Starts the rotor using pull-in current.

Setting 1: High Frequency Injection

High frequency is injected in order to detect the rotor position. Some noise may be generated from the motor at start.

Setting 2: Pulse injection

A pulse signal is injected into the motor in order to detect the rotor position.

5.9 n: Special Adjustments

■ n8-45: Speed Feedback Detection Control Gain (OLV/PM)

Sets the gain for internal speed feedback detection control. Although this setting rarely needs to be changed, adjustment may be necessary under the following conditions:

- Increase this setting if motor oscillation or hunting occurs.
- Decrease this setting in increments of 0.05 to decrease drive responsiveness.

| No. | Name | Setting Range | Default |
|-------|---------------------------------------|---------------|---------|
| n8-45 | Speed Feedback Detection Control Gain | 0.00 to 10.00 | 0.80 |

■ n8-47: Pull-In Current Compensation Time Constant (OLV/PM)

Sets the time constant for the actual current and the pull-in current to match one another.

Although this setting rarely needs to be changed, adjustment may be necessary under the following conditions:

- Increase this setting when it takes too long for the reference value of the pull-in current to match the target value.
- Decrease this setting if motor oscillation occurs.

| No. | Name | Setting Range | Default |
|-------|--|----------------|---------|
| n8-47 | Pull-In Current Compensation Time Constant | 0.0 to 100.0 s | 5.0 s |

■ n8-48: Pull-In Current (OLV/PM)

Sets the d-axis current during no-load operation at a constant speed. Set as a percentage of the motor rated current.

- Increase this setting when hunting occurs or the motor speed is unstable while running at a constant speed.
- If there is too much current when driving a light load at a constant speed, then slightly increasing this value.

| No. | Name | Setting Range | Default |
|-------|-----------------|---------------|---------|
| n8-48 | Pull-In Current | 20 to 200% | 30% |

■ n8-49: d-Axis Current for High Efficiency Control (OLV/PM)

Sets the d-axis current reference when running with high load at constant speed. When using an IPM motor, setting this parameter will increase the efficiency by using the motors reluctance torque and thereby reduce the energy consumption. This parameter should be set to 0 when using an SPM motor.

Although this setting seldom needs to be changed, please note the following:

- If motor operation is unstable when driving heavy loads, try lowering this setting.
- If motor parameters (E5-□□) have been changed, this value will be reset to 0 and will need to be readjusted.

| No. | Name | Setting Range | Default |
|-------|--|----------------|---------------------|
| n8-49 | d Axis Current for High Efficiency Control | -200.0 to 0.0% | Determined by E5-01 |

■ n8-51: Acceleration/Deceleration Pull-In Current (OLV/PM)

Sets the pull-in current during acceleration and deceleration as a percentage of the motor rated current (E5-03).

Adjustments to this setting may help in the following situations:

- Increase this setting when a large amount of starting torque is required.
- Lower this setting if there is excessive current during acceleration.

| No. | Name | Setting Range | Default |
|-------|---|---------------|---------|
| n8-51 | Acceleration/Deceleration Pull-In Current | 0 to 200% | 50% |

■ n8-54: Voltage Error Compensation Time Constant (OLV/PM)

Sets the time constant for voltage error compensation. Make changes to this parameter under the following conditions:

- Adjust the value when hunting occurs at low speed.
- Increase the value in steps of 0.1 when hunting occurs with sudden load changes. Try to disable the compensation by setting n8-51 = 0 if increasing n8-54 does not help.
- Increase the value when oscillations occur at start.

| No. | Name | Setting Range | Default |
|-------|--|---------------|---------|
| n8-54 | Voltage Error Compensation Time Constant | 0.00 to 10.00 | 1.00 |

■ n8-55: Load Inertia (OLV/PM)

Sets the ratio between motor inertia and the inertia of the connected machinery. If this value is set too low, the motor may not start very smoothly, and the STo fault (Motor Step-Out) may occur.

For large inertia loads or to improve speed control response, increase this setting from 0. Oscillations may occur if this value is set too high with low inertia load.

| No. | Name | Setting Range | Default |
|-------|--------------|---------------|---------|
| n8-55 | Load Inertia | 0 to 3 | 0 |

■ n8-57: High Frequency Injection (AOLV/PM)

Detects motor speed by injecting a high frequency into the motor.

| No. | Name | Setting Range | Default |
|-------|--------------------------|---------------|---------|
| n8-57 | High Frequency Injection | 0 or 1 | 0 |

Setting 0: Disabled

Disable n8-57 with SPM motors. The speed control range will be limited to approximately 1:20.

Setting 1: Enabled

Enabling n8-57 with IPM motors allows precise speed detection in a speed control range of approximately 1:100.

- Note:**
1. Be aware that using this function will generate some audible noise in the motor up to a certain speed.
 2. Set E1-09 to 0.0 when using zero speed control.

■ n8-62: Output Voltage Limit

Sets the output voltage limit to prevent voltage saturation. Never set this value higher than the actual input voltage.

| No. | Name | Setting Range | Default |
|-----------|----------------------|------------------|---------|
| n8-62 <1> | Output Voltage Limit | 0.0 to 230.0 Vac | 200 Vac |

<1> Values shown here are for 200 V class drives. Double values when using a 400 V class unit.

■ n8-65: Speed Feedback Detection Control Gain during ov Suppression (OLV/PM)

Sets the gain for internal speed feedback detection control when overvoltage suppression is active. Although this setting rarely needs to be changed, adjustment may be necessary under the following conditions:

- Increase this setting if motor oscillation or hunting occurs when OV suppression is active.
- Decrease this setting in increments of 0.05 to decrease the drive responsiveness during OV suppression.

| No. | Name | Setting Range | Default |
|-------|--|---------------|---------|
| n8-65 | Speed Feedback Detection Control Gain during ov Suppression (OLV/PM) | 0.00 to 10.00 | 1.50 |

5.10 o: Operator Related Settings

These parameters are for controlling the various functions, features, and display of the digital operator.

◆ o1: Digital Operator Display Selection

These parameters determine how data appears on the operator display.

■ o1-01: Drive Mode Unit Monitor Selection

The frequency reference display appears when the drive is powered up. Pressing the up arrow key will display the following data: frequency reference → rotational direction → output frequency → output current → o1-01 selection.

Parameter o1-01 lets the user select the content of the last monitor in this sequence.

| No. | Name | Setting Range | Default |
|-------|-----------------------------------|---|-------------|
| o1-01 | Drive Mode Unit Monitor Selection | 104 to 813 U1-04 (Control Mode) to U8-13 (DWEZ Version Control Monitor 3) <I> | 106 (U1-06) |

<I> U2-□□ and U3-□□ parameters cannot be selected.

■ o1-02: User Monitor Selection after Power Up

Selects which monitor parameter is displayed upon power up. This is done by entering the 1□□ part of U1-□□. Certain monitors are not available in some control modes. [Refer to U: Monitor Parameters on page 291](#) for a list of monitors.

| No. | Name | Setting Range | Default |
|-------|---------------------------------------|---------------|---------|
| o1-02 | User Monitor Selection after Power Up | 1 to 5 | 1 |

Setting 1: Frequency reference (U1-01)

Setting 2: Motor direction

Setting 3: Output frequency (U1-02)

Setting 4: Output current (U1-03)

Setting 5: User-selected monitor (set by o1-01)

■ o1-03: Digital Operator Display Selection

Sets the units used to display the frequency reference and output frequency. Set o1-03 to 3 for user-set units, then set parameters o1-10 and o1-11.

| No. | Name | Setting Range | Default |
|-------|------------------------------------|---------------|---------------------|
| o1-03 | Digital Operator Display Selection | 0 to 3 | Determined by A1-02 |

Setting 0: 0.01 Hz units

Setting 1: 0.01% units (100% = max. output frequency)

Setting 2: r/min units (calculated by the max output frequency and the no. of motor poles)

Setting 3: User-set units (use o1-10, o1-11)

Set the value use for the maximum frequency reference to o1-10. The placement of the decimal point in this number should be set to o1-11.

For example, to have the maximum output frequency displayed as “100.00”, set the o1-10 = 1000 and o1-11 = 2 (i.e., 1000 with 2 decimal points).

Note: 1. Parameter o1-03 allows the programmer to change the units used in the following parameters and monitors:

- U1-01: frequency reference
- U1-02: output frequency
- U1-05: motor speed
- U1-16: output frequency after softstarter (accel/decel ramp generator)
- d1-01 to d1-17: frequency references

2. Setting o1-03 to 2 requires that the number of motor poles be entered to E2-04, E4-04, and E5-04.

■ o1-04: V/f Pattern Display Unit

Determines the units used for the frequency reference when setting parameters that create the V/f pattern: E1-04, E1-06, E1-09, E1-11, and E2-04. For motor 2, this includes parameters E3-04, E3-06, E3-07, E3-09, and E3-11.

Enabled only in vector control modes (CLV, AOLV/PM, CLV/PM).

| No. | Name | Setting Range | Default |
|-------|--------------------------|---------------|---------------------|
| o1-04 | V/f Pattern Display Unit | 0 or 1 | Determined by A1-02 |

Setting 0: Hertz

Setting 1: r/min

Note: For motor 2, o1-04 can only be set to 0 for Hertz.

■ o1-10: User-Set Display Units Maximum Value

Determines the display value that is equal to the maximum output frequency.

| No. | Name | Setting Range | Default |
|-------|--------------------------------------|---------------|---------------------|
| o1-10 | User-Set Display Units Maximum Value | 1 to 60000 | Determined by o1-03 |

■ o1-11: User-Set Display Units Decimal Display

Determines how many decimal points should be used to set and display the frequency reference.

| No. | Name | Setting Range | Default |
|-------|--|---------------|---------------------|
| o1-11 | User-Set Display Units Decimal Display | 0 to 3 | Determined by o1-03 |

Setting 0: No decimal point

Setting 1: One decimal point

Setting 2: Two decimal points

Setting 3: Three decimal points

◆ o2: Digital Operator Keypad Functions

These parameters determine the functions assigned to the operator keys.

■ o2-01: LO/RE (LOCAL/REMOTE) Key Function Selection

Parameter o2-01 determines whether the LO/RE key on the digital operator will be enabled or not for switching between LOCAL and REMOTE.

| No. | Name | Setting Range | Default |
|-------|------------------------------|---------------|---------|
| o2-01 | LO/RE Key Function Selection | 0 or 1 | 1 |

Setting 0: Disabled

The LO/RE key is disabled.

Setting 1: Enabled

The LO/RE switches between LOCAL and REMOTE operation. Switching is possible during stop only. When LOCAL is selected, the LED indicator on the LO/RE key will light up.

WARNING! Sudden Movement Hazard. The drive may start unexpectedly if the Run command is already applied when switching from LOCAL mode to REMOTE mode when b1-07 = 1, resulting in death or serious injury. Check all mechanical or electrical connections thoroughly before making any setting changes to o2-01 and b1-07. [Table 5.41](#) lists the setting combinations for o2-01 and b1-07.

Table 5.41 LO/RE Key and b1-07

| o2-01 | b1-07 | Switch from LOCAL to REMOTE | Switch from REMOTE to LOCAL |
|-------|-------|--|-----------------------------|
| 0 | 0 | Not possible | Not possible |
| | 1 | Not possible | Not possible |
| 1 | 0 | Will not run until a new Run command is entered. | Run not possible |
| | 1 | If a Run command is entered, the drive will start running as soon as the LO/RE key is pushed to change from LOCAL to REMOTE. | Run not possible |

5.10 o: Operator Related Settings

■ o2-02: STOP Key Function Selection

Determines if the STOP key on the digital operator can still be used to stop drive operation when the drive is being controlled from a remote source (i.e., not from digital operator).

| No. | Name | Setting Range | Default |
|-------|-----------------------------|---------------|---------|
| o2-02 | STOP Key Function Selection | 0 or 1 | 1 |

Setting 0: Disabled

Setting 1: Enabled

The STOP key can be used to terminate drive operation, even if the Run command source is not assigned to the digital operator. If the drive is stopped by pressing the STOP key, the Run command must be cycled to restart the drive.

■ o2-03: User Parameter Default Value

Once drive parameters are set up completely, the values set can be saved as user-set default values using parameter o2-03. Once this has been done, the “Initialize Parameters” parameter (A1-03) will offer the choice of “1110: User Initialize”. Choosing A1-03 = “1110: User Initialize” will reset all parameters to the values saved as user-set defaults. [Refer to A1-03: Initialize Parameters on page 131](#) for details on drive initialization.

| No. | Name | Setting Range | Default |
|-------|------------------------------|---------------|---------|
| o2-03 | User Parameter Default Value | 0 to 2 | 0 |

Setting 0: No change (awaiting command)

Setting 1: Set User Initialize values

The current parameter settings are saved as user-set default for a later User Initialize. Once o2-03 is set to 1 and the ENTER key is pressed, the values are saved and the display returns to 0.

Setting 2: Clear User Initialize Values

All user-set defaults for “User Initialize” are cleared. Once o2-03 is set to 2 and the ENTER key is pressed, the values are erased and the display returns to 0.

■ o2-04: Drive Model Selection

This parameter must be set when replacing the control board or the terminal board for any reason. For information on the drive model selection, see [Defaults by Drive Model Selection \(o2-04\) and ND/HD \(C6-01\) on page 457](#).

NOTICE: Drive performance will suffer if the correct drive capacity is not set to o2-04, and protective functions will fail to operate properly.

| No. | Name | Setting Range | Default |
|-------|-----------------------|---------------|------------------------------|
| o2-04 | Drive Model Selection | - | Determined by drive capacity |

■ o2-05: Frequency Reference Setting Method Selection

Determines if the ENTER key must be pressed after changing the frequency reference using the digital operator while in the Drive Mode.

| No. | Name | Setting Range | Default |
|-------|--|---------------|---------|
| o2-05 | Frequency Reference Setting Method Selection | 0 or 1 | 0 |

Setting 0: ENTER key required

Every time the frequency reference is changed using the digital operator, the ENTER key must be pressed for the drive to accept the change.

Setting 1: ENTER key not required

The output frequency changes immediately when the reference is changed by the up or down arrow keys on the digital operator. The ENTER key does not need to be pressed. The frequency reference is saved for 5 s after it is changed.

■ o2-06: Operation Selection when Digital Operator is Disconnected

Determines if the drive will stop when the digital operator is removed in LOCAL mode or when b1-02 or b1-16 is set to 0. When the operator is reconnected, the display will indicate that it was disconnected.

| No. | Name | Setting Range | Default |
|-------|--|---------------|---------|
| o2-06 | Digital Operator Disconnection Operation | 0 or 1 | 0 |

Setting 0: Continue operation

The operation is continued.

Setting 1: Trigger a fault

The operation is stopped and an “oPr” fault is triggered. The motor coasts to stop.

■ o2-07: Motor Direction at Power Up when Using Operator

Determines the direction the motor will rotate after the drive is powered up and the Run command is given from the digital operator.

Note: This parameter is effective only when the Run command is set to be given from the digital operator (b1-02, b1-16 = 0).

| No. | Name | Setting Range | Default |
|-------|---|---------------|---------|
| o2-07 | Motor Direction at Power Up when Using Operator | 0 or 1 | 0 |

Setting 0: Forward

Setting 1: Reverse

◆ o3: Copy Function

These parameters control the digital operator’s Copy function. The Copy function lets the user store all parameter settings into the memory of the digital operator, and easily transfer those settings to other drives (requires that the other drives be the same model, capacity, and have the same control mode setting). See [Copy Function Related Displays on page 332](#) for a description of errors and displays.

■ o3-01 Copy Function Selection

Setting o3-01 will instruct the drive to Read, Write, or Verify parameters settings.

| No. | Name | Setting Range | Default |
|-------|-------------------------|---------------|---------|
| o3-01 | Copy Function Selection | 0 to 3 | 0 |

0: Copy Select (no function)

1: INV --> OP READ

All parameters are copied from the drive to the digital operator.

Note: The copy protection for the digital operator is enabled by default. To unlock copy protection, set o3-01 = 1.

2: OP --> INV WRITE

All parameters are copied from the digital operator to the drive.

3: OP<-->INV VERIFY

Parameters in the drive are compared with the parameter settings saved on the digital operator to see if they match.

■ o3-02 Copy Allowed Selection

Restricts or allows the use of the Copy function.

| No. | Name | Setting Range | Default |
|-------|------------------------|---------------|---------|
| o3-02 | Copy Allowed Selection | 0 or 1 | 0 |

0: Disabled

1: Enabled

5.10 o: Operator Related Settings

◆ o4: Maintenance Monitor Settings

■ o4-01: Cumulative Operation Time Setting

Parameter o4-01 sets the cumulative operation time of the drive. The user can also manually set this parameter to begin keeping track of operation time from some desired value. Total operation time can be viewed in monitor U4-01.

Note: The value in o4-01 is set in 10 h units. For example, a setting of 30 will set the cumulative operation time counter to 300 h. 300 h will also be displayed in monitor U4-01.

| No. | Name | Setting Range | Default |
|-------|-----------------------------------|---------------|---------|
| o4-01 | Cumulative Operation Time Setting | 0 to 9999 H | 0 H |

■ o4-02: Cumulative Operation Time Selection

Selects the conditions for how the drive keeps track of its total operation time. This time log can be viewed in U4-01.

| No. | Name | Setting Range | Default |
|-------|-------------------------------------|---------------|---------|
| o4-02 | Cumulative Operation Time Selection | 0 or 1 | 0 |

Setting 0: Power on time

The drive logs the time it is connected to a power supply, regardless if the motor is running or not.

Setting 1: Run time

The drive logs the time that the output is active. This includes whenever the Run command is active (even if the motor is not rotating) and when there is voltage output.

■ o4-03: Cooling Fan Operation Time Setting

Sets the value for how long the cooling fan has been operating. This value can be viewed in monitor U4-03. Parameter o4-03 also sets the base value used for the cooling fan maintenance, which is displayed in U4-04. Be sure to reset this parameter back to 0 if the cooling fan is replaced.

- Note:**
1. The value in o4-03 increases after every 10 hours of use. A setting of 30 will set the cooling fan operation time counter to 300 h. "300" will be displayed in monitor U4-03.
 2. The cooling fan may require maintenance at an earlier date in harsher environments.

| No. | Name | Setting Range | Default |
|-------|------------------------------------|---------------|---------|
| o4-03 | Cooling Fan Operation Time Setting | 0 to 9999 H | 0 H |

■ o4-05: Capacitor Maintenance Setting

Sets value of the maintenance monitor for the DC bus capacitors displayed in U4-05 as a percentage of the total expected performance life. This value should be reset to 0 when the DC bus capacitors have been replaced.

Note: The actual maintenance time will depend on the environment where the drive is used.

| No. | Name | Setting Range | Default |
|-------|-------------------------------|---------------|---------|
| o4-05 | Capacitor Maintenance Setting | 0 to 150% | 0% |

■ o4-07: DC Bus Pre-Charge Relay Maintenance Setting

Sets the value of the softcharge bypass relay maintenance time displayed in U4-06 as a percentage of the total expected performance life. This value should be reset to 0 when the bypass relay has been replaced.

Note: The actual maintenance time will depend on the environment where the drive is used.

| No. | Name | Setting Range | Default |
|-------|---|---------------|---------|
| o4-07 | DC Bus Pre-charge Relay Maintenance Setting | 0 to 150% | 0% |

■ o4-09: IGBT Maintenance Setting

Sets the value of the IGBT maintenance time displayed in U4-07 as a percentage of the total expected performance life. This value should be reset to 0 when the IGBTs have been replaced.

Note: The actual maintenance time will depend on the environment where the drive is used.

| No. | Name | Setting Range | Default |
|-------|--------------------------|---------------|---------|
| o4-09 | IGBT Maintenance Setting | 0 to 150% | 0% |

■ o4-11: U2, U3 Initialization

When the drive is initialized, the fault trace and fault history monitors (U2-□□ and U3-□□) are not reset. Parameter o4-11 can be used to reset them.

| No. | Name | Setting Range | Default |
|-------|-----------------------|---------------|---------|
| o4-11 | U2, U3 Initialization | 0 or 1 | 0 |

Setting 0: No action

The drive keeps the record already saved concerning fault trace and fault history.

Setting 1: Reset fault data

Resets the data for the U2-□□ and U3-□□ monitors. Once o4-11 is set to 1 and the ENTER key is pressed, fault data is erased and the display returns to 0.

■ o4-12: kWh Monitor Initialization

The kWh monitors U4-10 and U4-11 are not initialized when power is shut off or the drive is initialized. Use o4-12 to manually reset them.

| No. | Name | Setting Range | Default |
|-------|----------------------------|---------------|---------|
| o4-12 | kWh Monitor Initialization | 0 or 1 | 0 |

Setting 0: No Action

The kWh data are kept as they are.

Setting 1: Reset kWh Data

Resets the kWh counter. The monitors U4-10 and U4-11 will display “0” after they are initialized. Once o4-12 is set to 1 and the ENTER key is pressed, kWh data is erased and the display returns to 0.

■ o4-13: Number of Run Commands Counter Initialization

The Run command counter displayed in U4-02 is not reset when the power is cycled or the drive is initialized. Use o4-13 to reset U4-02.

| No. | Name | Setting Range | Default |
|-------|---|---------------|---------|
| o4-13 | Number of Run Commands Counter Initialization | 0 or 1 | 0 |

Setting 0: No Action

The Run command data are kept as they are.

Setting 1: Number of Run Commands Counter

Resets the Run command counter. The monitor U4-02 will show 0. Once o4-13 is set to 1 and the ENTER key is pressed, the counter value is erased and the display returns to 0.

◆ q: DriveWorksEZ Parameters

These parameters are reserved for use with DriveWorksEZ. Refer to the DriveWorksEZ manual for more information.

◆ r: DriveWorksEZ Connection Parameters

These parameters are reserved for use with DriveWorksEZ. Refer to the DriveWorksEZ manual for more information.

◆ T: Motor Tuning

Auto-Tuning automatically sets and tunes parameters required for optimal motor performance.

Refer to Auto-Tuning on page 109 for details on Auto-Tuning parameters.

5.11 U: Monitor Parameters

Monitor parameters let the user view various aspects of drive performance using the digital operator display. Some monitors can be output from terminals FM and AM by assigning the specific monitor parameter number (U□-□□) to H4-01 and H4-04. *Refer to H4-01, H4-04: Multi-Function Analog Output Terminal FM, AM Monitor Selection on page 239* for details on assigning functions to an analog output.

◆ U1: Operation Status Monitors

Status monitors display drive status data such as output frequency and output current. Refer to *U1: Operation Status Monitors on page 447* for a complete list of U1-□□ monitors and descriptions.

◆ U2: Fault Trace

These monitor parameters are used to view the status of various drive aspects when a fault occurs.

This information is helpful for finding out why a fault occurred. Refer to *U2: Fault Trace on page 449* for a complete list of U2-□□ monitors and descriptions.

U2-□□ monitors are not reset when the drive is initialized. *Refer to o4-11: U2, U3 Initialization on page 289* for instructions on how to reset these monitor values.

◆ U3: Fault History

These parameters display faults that have occurred during operation as well as the drive operation time when those faults occurred. Refer to *U3: Fault History on page 450* for a complete list of U3-□□ monitors and descriptions.

U3-□□ monitors are not reset when the drive is initialized. *Refer to o4-11: U2, U3 Initialization on page 289* for instructions on how to reset these monitor values.

◆ U4: Maintenance Monitors

Maintenance monitors show:

- Runtime data of the drive and cooling fans, and number of Run commands issued
- Maintenance data and replacement information for various drive components
- kWh data
- Highest peak current that has occurred and output frequency at the time the peak current occurred
- Motor overload status information
- Detailed information about the present Run command and frequency reference source selection

Refer to U4: Maintenance Monitors on page 450 for a complete list of U4-□□ monitors and descriptions.

◆ U5: PID Monitors

These monitors display various aspects of PID control. *Refer to PID Block Diagram on page 154* for details on how these monitors display PID data.

U5: PID Monitors on page 451 has a complete list of U5-□□ monitors and descriptions.

◆ U6: Operation Status Monitors

Control monitors show:

- Reference data for the output voltage and vector control
- Data on PM motor rotor synchronization, forward phase compensation, and flux positioning
- Pulse data from the PG motor encoder
- Pulse data for Zero Servo control
- ASR and Feed Forward control monitors

Refer to *Figure 5.35* on page 171 and *Figure 5.36* on page 172 for details and an illustration showing where monitors are located in the ASR block.

5.11 U: Monitor Parameters

- The offset value added to the frequency reference by the frequency offset function. *Refer to Setting 44, 45, 46: Offset frequency 1, 2, 3 on page 221.*
- The bias value added to the frequency reference by the Up/Down 2 function (see *Setting 75, 76: Up 2, Down 2 command on page 223*)

Refer to *U6: Operation Status Monitors on page 452* for a complete list of U6-□□ monitors and descriptions.

◆ U8: DriveWorksEZ Monitors

These monitors are reserved for use with DriveWorksEZ.

A complete description of the U8-□□ monitors can be found in the DriveWorksEZ instruction manual.



Troubleshooting

This chapter provides descriptions of the drive faults, alarms, errors, related displays, and guidance for troubleshooting. This chapter can also serve as a reference guide for tuning the drive during a trial run.

| | |
|---|------------|
| 6.1 SECTION SAFETY | 294 |
| 6.2 MOTOR PERFORMANCE FINE-TUNING | 296 |
| 6.3 DRIVE ALARMS, FAULTS, AND ERRORS | 300 |
| 6.4 FAULT DETECTION | 306 |
| 6.5 ALARM DETECTION | 319 |
| 6.6 OPERATOR PROGRAMMING ERRORS | 325 |
| 6.7 AUTO-TUNING FAULT DETECTION | 328 |
| 6.8 COPY FUNCTION RELATED DISPLAYS | 332 |
| 6.9 DIAGNOSING AND RESETTING FAULTS | 334 |
| 6.10 TROUBLESHOOTING WITHOUT FAULT DISPLAY | 336 |

6.1 Section Safety

DANGER

Electrical Shock Hazard

Do not connect or disconnect wiring while the power is on.

Failure to comply will result in death or serious injury.

WARNING

Electrical Shock Hazard

Do not operate equipment with covers removed.

Failure to comply could result in death or serious injury.

The diagrams in this section may illustrate drives without covers or safety shields to display details. Be sure to reinstall covers or shields before operating the drives and run the drives according to the instructions described in this manual.

Always ground the motor-side grounding terminal.

Improper equipment grounding could result in death or serious injury by contacting the motor case.

Do not touch terminals before the capacitors have fully discharged.

Failure to comply could result in death or serious injury.

Before wiring terminals, disconnect all power to the equipment. The internal capacitor remains charged even after the drive input power is turned off. After shutting off the power, wait for at least the amount of time specified on the drive before touching any components.

Do not allow unqualified personnel to perform work on the drive.

Failure to comply could result in death or serious injury.

Installation, maintenance, inspection and servicing must be performed only by authorized personnel familiar with installation, adjustment and maintenance of AC drives.

Do not perform work on the drive while wearing loose clothing, jewelry, or without eye protection.

Failure to comply could result in death or serious injury.

Remove all metal objects such as watches and rings, secure loose clothing and wear eye protection before beginning work on the drive.

Do not remove covers or touch circuit boards while the power is on.

Failure to comply could result in death or serious injury.

Fire Hazard

Tighten all terminal screws to the specified tightening torque.

Loose electrical connections could result in death or serious injury by fire due to overheating of electrical connections.

Do not use an improper voltage source.

Failure to comply could result in death or serious injury by fire.

Verify that the rated voltage of the drive matches the voltage of the incoming drive input power before applying power.

⚠ WARNING**Do not use improper combustible materials.**

Failure to comply could result in death or serious injury by fire.

Attach the drive to metal or other noncombustible material.

NOTICE**Observe proper electrostatic discharge procedures (ESD) when handling the drive and circuit boards.**

Failure to comply may result in ESD damage to the drive circuitry.

Never connect or disconnect the motor from the drive while the drive is outputting voltage.

Improper equipment sequencing could result in damage to the drive.

Do not use unshielded cable for control wiring.

Failure to comply may cause electrical interference resulting in poor system performance. Use shielded twisted-pair wires and ground the shield to the ground terminal of the drive.

Do not allow unqualified personnel to use the product.

Failure to comply could result in damage to the drive or braking circuit.

Carefully review instruction manual TOBPC72060000 when connecting a dynamic braking option to the drive.

Do not modify the drive circuitry.

Failure to comply could result in damage to the drive and will void warranty.

Yaskawa is not responsible for modification of the product made by the user.

Check all the wiring after installing the drive and connecting other devices to ensure that all connections are correct.

Failure to comply could result in damage to the drive.

6.2 Motor Performance Fine-Tuning

This section offers helpful information for counteracting oscillation, hunting, or other problems that occur while performing a trial run. Refer to the section below that corresponds to the motor control method used.

Note: This section describes parameters that are commonly edited and may be set incorrectly. Consult Yaskawa for more information on detailed settings and fine-tuning the drive.

◆ Fine-Tuning V/f Control and V/f Control with PG

Table 6.1 Parameters for Fine-Tuning Performance in V/f and V/f w/PG

| Problem | Parameter No. | Corrective Action | Default | Suggested Setting |
|--|---|---|-----------------------------------|--|
| Motor hunting and oscillation at speeds between 10 and 40 Hz | Hunting Prevention Gain (n1-02) | <ul style="list-style-type: none"> If insufficient motor torque relative to the size of the load causes hunting, reduce the setting. When motor hunting and oscillation occur with a light load, increase the setting. Lower this setting if hunting occurs when using a motor with a relatively low inductance, such as a high-frequency motor or a motor with a larger frame size. | 1.00 | 0.10 to 2.00 |
| <ul style="list-style-type: none"> Motor noise Motor hunting and oscillation at speeds up to 40 Hz | Carrier Frequency Selection (C6-02) | <ul style="list-style-type: none"> If the motor noise is too loud, increase the carrier frequency. When motor hunting and oscillation occur at speeds up to 40 Hz, lower the carrier frequency. The default setting for the carrier frequency depends on the drive capacity (o2-04) and the Duty Selection (C6-01). | 1 (2 kHz) | 1 to max. setting |
| <ul style="list-style-type: none"> Poor torque or speed response Motor hunting and oscillation | Torque Compensation Primary Delay Time (C4-02) | <ul style="list-style-type: none"> If motor torque and speed response are too slow, decrease the setting. If motor hunting and oscillation occur, increase the setting. | 200 ms <1> | 100 to 1000 ms |
| <ul style="list-style-type: none"> Poor motor torque at speeds below 10 Hz Motor hunting and oscillation | Torque Compensation Gain (C4-01) | <ul style="list-style-type: none"> If motor torque is insufficient at speeds below 10 Hz, increase the setting. If motor hunting and oscillation with a relatively light load, decrease the setting. | 1.00 | 0.50 to 1.50 |
| <ul style="list-style-type: none"> Poor motor torque at low speeds Motor instability at motor start | Mid Output Voltage A (E1-08) Minimum Output Voltage (E1-10) | <ul style="list-style-type: none"> If torque is insufficient at speeds below 10 Hz, increase the setting. If motor instability occurs at motor start, decrease the setting. <p>Note: The recommended setting value is for 200 V class drives. Double this value when using a 400 V class drive.</p> | E1-08: 15.0 V E1-10: 9.0 V <2> | Default setting ±5 V |
| Poor speed precision (V/f control) | Slip Compensation Gain (C3-01) | After setting the motor-rated current (E2-01), motor-rated slip (E2-02), and motor no-load current (E2-03), adjust the slip compensation gain (C3-01). | 0.0 (no slip compensation) | 0.5 to 1.5 |
| Poor speed precision (V/f control with PG) | ASR Proportional Gain 1 (C5-01) ASR Integral Time 1 (C5-02) <3> <4> | Adjust the ASR proportional gain 1 (C5-01) and the ASR integral time 1 (C5-02). | C5-01: 0.20 C5-02: 0.200 | Proportional gain = 0.10 to 1.00 Integral time = 0.100 to 2.000 |

<1> Default setting value is dependent on parameter A1-02, Control Method Selection, and o2-04, Drive Model Selection.

<2> Default settings change when the Control Method is changed (A1-02) or a different V/f pattern is selected using parameter E1-03.

<3> ASR in V/f Control with PG only controls the output frequency, and therefore does not allow the high gain settings possible when using Close Loop Vector control.

<4> Refer to **C5: Automatic Speed Regulator (ASR) on page 171** for details on Automatic Speed Regulator (ASR).

◆ Fine-Tuning Open Loop Vector Control

Table 6.2 Parameters for Fine-Tuning Performance in OLV

| Problem | Parameter No. | Corrective Action | Default | Suggested Setting |
|--|---|--|---------|-------------------|
| <ul style="list-style-type: none"> Poor motor torque and speed response Motor hunting and oscillation at speeds between 10 and 40 Hz | AFR Gain (n2-01) | <ul style="list-style-type: none"> If motor torque and speed response are too slow, gradually decrease the setting by 0.05. If motor hunting and oscillation occur, gradually increase the setting by 0.05. | 1.00 | 0.50 to 2.00 |
| <ul style="list-style-type: none"> Poor motor torque and speed response Motor hunting and oscillation at speeds between 10 and 40 Hz | AFR Time Constant 1 (n2-02) | <ul style="list-style-type: none"> To improve motor torque speed response, gradually reduce this setting by 10 ms and check the performance. If motor hunting and oscillation occur as a result of load inertia, gradually increase the setting by 50 ms and check the performance. <p>Note: Ensure that n2-02 ≤ n2-03. When changing n2-02, set C4-02 (Torque Compensation Primary Delay Time Constant 1) accordingly.</p> | 50 ms | 50 to 2000 ms |
| Overvoltage trips when accelerating, decelerating, or during sudden speed or load changes. | AFR Time Constant 2 (n2-03) | <ul style="list-style-type: none"> If overvoltage occur, gradually increase this setting by 50 ms. If response is slow, gradually reduce this setting by 10 ms. <p>Note: Ensure that n2-02 ≤ n2-03. When making adjustments to n2-03, increase the value of C4-06 (Torque Compensation Primary Delay Time 2) proportionally.</p> | 750 ms | 750 to 2000 ms |
| | Torque Compensation Primary Delay Time Constant 2 (C4-06) | <ul style="list-style-type: none"> If overvoltage trips occur, gradually increase this setting by 10 ms and check the performance. If response is slow, gradually reduce this setting by 2 ms and check the performance. <p>Note: Ensure that C4-02 ≤ C4-06. When changing C4-06 (Torque Compensation Primary Delay Time Constant 2), increase the value of n2-03 proportionally.</p> | 150 ms | 150 to 750 ms |

| Problem | Parameter No. | Corrective Action | Default | Suggested Setting |
|--|--|--|---------------------------------------|---------------------------|
| <ul style="list-style-type: none"> Poor motor torque and speed response Motor hunting and oscillation | Torque Compensation Primary Delay Time Constant 1 (C4-02) | <ul style="list-style-type: none"> To improve motor torque speed response, gradually reduce this setting by 2 ms and check the performance. If motor hunting and oscillation occur, gradually increase this setting by 10 ms. <p>Note: Ensure that $C4-02 \leq C4-06$. When making adjustments to C4-02, increase the AFR time constant (n2-02) proportionally.</p> | 20 ms </> | 20 to 100 ms </> |
| Poor speed response and stability | Slip Compensation Primary Delay Time Constant (C3-02) | <ul style="list-style-type: none"> If response is slow, gradually decrease the setting by 10 ms. If speed is unstable, gradually increase the setting by 10 ms. | 200 ms </> | 100 to 500 ms |
| Poor speed precision | Slip Compensation Gain (C3-01) | <ul style="list-style-type: none"> If speed is too slow, gradually increase the setting by 0.1 ms. If speed is too fast, gradually decrease the setting by 0.1 ms. | 1.0 </> | 0.5 to 1.5 |
| Poor speed precision during regenerative operation | Slip Compensation Selection During Regeneration (C3-04) | Enable slip compensation during regeneration by setting parameter C3-04 = 1. | 0 | 1 |
| <ul style="list-style-type: none"> Motor noise Motor hunting and oscillation occur at speeds below 10 Hz | Carrier Frequency Selection (C6-02) | <ul style="list-style-type: none"> If there is too much motor noise, the carrier frequency is too low. If motor hunting and oscillation occur at low speeds, reduce the carrier frequency. <p>Note: The default setting for the carrier frequency depends on the drive capacity (o2-04) and Duty Selection (C6-01).</p> | 1 (2 kHz) | 0 to max. setting |
| <ul style="list-style-type: none"> Poor motor torque at low speeds Poor speed response Motor instability at start | Mid Output Voltage A (E1-08) Minimum Output Voltage (E1-10) | <ul style="list-style-type: none"> If motor torque and speed response are too slow, increase the setting. If the motor exhibits excessive instability at start-up, reduce the setting. <p>Note: The default value is for 200 V class units. Double this value when using a 400 V class drive. When working with a relatively light load, increasing this value too much can result in overtorque.</p> | E1-08: 11.0 V </> E1-10: 2.0 V </> | Default setting ± 2 V |

<1> Default setting value is dependent on parameter A1-02, Control Method Selection, and o2-04, Drive Model Selection.
 <2> Default settings change when the Control Method is changed (A1-02) or a different V/f pattern is selected using parameter E1-03.

When using OLV, leave the torque compensation gain (C4-01) at its default setting of 1.00.

◆ Fine-Tuning Closed Loop Vector Control

Table 6.3 Parameters for Fine-Tuning the Performance in CLV

| Problem | Parameter No. | Corrective Action | Default | Suggested Setting |
|--|--|--|---------|-----------------------------|
| <ul style="list-style-type: none"> Poor torque or speed response Motor hunting and oscillation | ASR Proportional Gain 1 (C5-01) ASR Proportional Gain 2 (C5-03) </> | <ul style="list-style-type: none"> If motor torque and speed response are too slow, gradually increase the ASR gain setting by 5. If motor hunting and oscillation occur, decrease the setting. Parameter C5-03 needs to be adjusted only if C5-05 > 0. Perform ASR Auto-Tuning if possible | 20.00 | 10.00 to 50.00 |
| <ul style="list-style-type: none"> Poor torque or speed response Motor hunting and oscillation | ASR Integral Time 1 (C5-02) ASR Integral Time 2 (C5-04) </> | <ul style="list-style-type: none"> If motor torque and speed response are too slow, decrease the setting. If motor hunting and oscillation occur, increase the setting. Parameter C5-04 needs to be adjusted only if C5-05 > 0. | 0.500 s | 0.300 to 1.000 s |
| Trouble maintaining the ASR proportional gain or the integral time at the low or high end of the speed range | ASR Gain Switching Frequency (C5-07) </> | Have the drive switch between two different ASR proportional gain and integral time settings based on the output frequency. | 0.0 Hz | 0.0 to max output frequency |
| Motor hunting and oscillation | ASR Primary Delay Time Constant (C5-06) </> | <ul style="list-style-type: none"> If motor torque and speed response are too slow, gradually decrease the setting by 0.01. If the load is less rigid and subject to oscillation, increase this setting. | 0.004 s | 0.004 to 0.020 s |
| <ul style="list-style-type: none"> Motor noise Control motor hunting and oscillation occur at speeds below 3 Hz. | Carrier Frequency Selection (C6-02) | <ul style="list-style-type: none"> If there is too much motor noise, the carrier frequency is too low. If motor hunting and oscillation occur at low speeds, reduce the carrier frequency. <p>Note: The default setting for the carrier frequency depends on the drive capacity (o2-04) and Drive Duty Selection (C6-01).</p> | 1 | 2.0 kHz to the max. setting |
| Overshoot or undershoot when the speed changes with high inertia load. | Feed Forward Control (n5-01) Inertia Tuning (T1-01 = 8) | Enable Feed Forward by setting parameter n5-01 = 1 and perform Inertia Tuning. If Inertia Tuning is not possible, set parameters C5-17, C5-18, and n5-03 manually. | 0 | 1 |

<1> Refer to **C5: Automatic Speed Regulator (ASR) on page 171** for details on Automatic Speed Regulator (ASR).

◆ Fine-Tuning Open Loop Vector Control for PM Motors

Table 6.4 Parameters for Fine-Tuning Performance in OLV/PM

| Problem | Parameter No. | Corrective Action | Default | Suggested Setting |
|--------------------------------------|---------------------------------------|---|---------|--|
| Motor performance not as desired | Motor parameters (E1-□□, E5-□□) | <ul style="list-style-type: none"> Check the settings for base and maximum frequency in the E1-□□ parameters Check E5-□□ parameters and make sure all motor data has been set correctly. Be careful not to enter line to line data where single-phase data is required, and vice versa. Perform Auto-Tuning. | - | - |
| Poor motor torque and speed response | Load Inertia Ratio (n8-55) | Adjust parameter n8-55 to meet the load inertia ratio of the machine. | 0 | Close to the actual load inertia ratio |
| | Speed Feedback Detection Gain (n8-45) | Increase the speed feedback detection gain (n8-45). | 0.8 | Increase in increments of 0.05 |
| | Torque Compensation (C4-01) | Enable torque compensation. | 0 | 1 |

6.2 Motor Performance Fine-Tuning

| Problem | Parameter No. | Corrective Action | Default | Suggested Setting |
|---|--|--|---------------------------------------|---|
| Oscillation at start or the motor stalls | Pull-In Current during Accel/Decel (n8-51) | Increase the pull-in current set in n8-51 | 50% | Increase in steps of 5% |
| | DC Injection Braking Current (b2-02), DC Injection Time at Start (b2-03) | Use DC Injection Braking at start to align the rotor. Be aware that this operation can cause a short reverse rotation at start. | b2-02 = 50% b2-03 = 0.0 s | b2-03 = 0.5 s Increase b2-02 if needed |
| | Load Inertia Ratio (n8-55) | Increase the load inertia ratio. | 0 | Close to the actual load inertia ratio |
| Stalling or oscillation occur when load is applied during constant speed | Pull-In Current Compensation Time Constant (n8-47) | Decrease n8-47 if hunting occurs during constant speed | 5.0 s | Reduce in increments of 0.2 s |
| | Pull-In Current (n8-48) | Increase the pull-in current in n8-48. | 30% | Increase in increments of 5% |
| | Load Inertia Ratio (n8-55) | Increase the load inertia ratio. | 0 | Close to the actual load inertia ratio |
| Hunting or oscillation occur | Speed feedback Detection Gain (n8-45) | Decrease the speed feedback detection gain in n8-45. | 0.8 | Increase in increments 0.05 |
| STO fault trips even if the load is not too high | Induced Voltage Constant (E5-09 or E5-24) | <ul style="list-style-type: none"> Check and adjust the induced voltage constant. Check the motor name plate, the data sheet or contact the motor manufacturer for getting data. | dep. on drive capacity and motor code | Refer to the motor data sheet or the nameplate. |
| Stalling or STO occurs at high speed as the output voltage becomes saturated. | Output Voltage Limit (n8-62) | Set the value of the input voltage to parameter n8-62 | 200 Vac or 400 Vac | Set equal to input voltage |

◆ Fine-Tuning Advanced Open Loop Vector Control for PM Motors

Table 6.5 Parameters for Fine-Tuning Performance in AOLV/PM

| Problem | Parameter No. | Corrective Action | Default | Suggested Setting |
|--|--|--|---------|----------------------|
| <ul style="list-style-type: none"> Poor torque or speed response Motor hunting and oscillation | ASR Proportional Gain 1 (C5-01) ASR Proportional Gain 2 (C5-03) | <ul style="list-style-type: none"> If motor torque and speed response are too slow, gradually increase the setting by 5. If motor hunting and oscillation occur, decrease the setting. Parameter C5-03 needs to be adjusted only if C5-05 > 0. | 10.00 | 5.00 to 30.00 <1> |
| <ul style="list-style-type: none"> Poor torque or speed response Motor hunting and oscillation | ASR Integral Time 1 (C5-02) ASR Integral Time 2 (C5-04) | <ul style="list-style-type: none"> If motor torque and speed response are too slow, decrease the setting. If motor hunting and oscillation occur, increase the setting. Parameter C5-03 needs to be adjusted only if C5-05 > 0 | 0.500 s | 0.300 to 1.000 s <1> |
| Trouble maintaining the ASR proportional gain or the integral time at the low or high end of the speed range | ASR Gain Switching Frequency (C5-07) | Have the drive switch between two different ASR proportional gain and integral time settings based on the output frequency. | 0.0% | 0.0 to Max r/min |
| Motor hunting and oscillation | ASR Primary Delay Time Constant (C5-06) | If the load is less rigid and subject to oscillation, increase this setting. | 0.010 s | 0.016 to 0.035 s <1> |
| Motor stalling makes normal operation impossible | Motor parameters (E1-□□, E5-□□) | Check the motor parameter settings. | - | - |

<1> Optimal settings will differ between no-load and loaded operation.

◆ Fine-Tuning Closed Loop Vector Control for PM Motors

Table 6.6 Parameters for Fine-Tuning Performance in CLV/PM

| Problem | Parameter No. | Corrective Action | Default | Suggested Setting |
|--|--|--|---------|----------------------|
| <ul style="list-style-type: none"> Poor torque or speed response Motor hunting and oscillation | ASR Proportional Gain 1 (C5-01) ASR Proportional Gain 2 (C5-03) | <ul style="list-style-type: none"> If motor torque and speed response are too slow, gradually increase the setting by 5. If motor hunting and oscillation occur, decrease the setting. Perform ASR Gain Auto-Tuning if possible | 20.00 | 10.00 to 50.00 <1> |
| <ul style="list-style-type: none"> Poor torque or speed response Motor hunting and oscillation | ASR Integral Time 1 (C5-02) ASR Integral Time 2 (C5-04) | <ul style="list-style-type: none"> If motor torque and speed response are too slow, decrease the setting. If motor hunting and oscillation occur, increase the setting. | 0.500 s | 0.300 to 1.000 s <1> |
| ASR proportional gain or the integral time at the low or high end of the speed range | ASR Gain Switching Frequency (C5-07) | Have the drive switch between two different ASR proportional gain and integral time settings based on the output frequency. | 0.0% | 0.0 to Max r/min |
| Motor hunting and oscillation | ASR Primary Delay Time Constant (C5-06) | If the load is less rigid and subject to oscillation, increase this setting. | 0.016 s | 0.004 to 0.020 s <1> |
| Motor stall makes normal operation impossible | Motor parameters (E1-□□, E5-□□) | Check the motor parameter settings. | - | - |
| Overshoot or undershoot at speed changes with high inertia load. | Feed Forward Control (n5-01) Inertia Auto-Tuning (T2-01 = 8) | Enable Feed Forward Control by setting parameter n5-01 = 1 and perform Inertia Auto-Tuning. If Auto-Tuning cannot be performed set parameters C5-17, C5-18 and n5-03 manually. | 0 | 1 |

<1> Optimal settings will differ between no-load and loaded operation.

◆ Parameters to Minimize Motor Hunting and Oscillation

In addition to the parameters discussed on page 296 through 298, the following parameters indirectly affect motor hunting and oscillation.

Table 6.7 Parameters that Affect Control Performance in Applications

| Name (Parameter No.) | Application |
|---|--|
| Dwell Function (b6-01 through b6-04) | Prevents motor speed loss by maintaining the output frequency when working with heavy loads or when there is powerful backlash on the machine side. |
| Droop Function (b7-01, b7-02) | Used to balance the load between two motors that drive the same load. Can be used when the control method (A1-02) is set to 3 or 7. |
| Accel/Decel Time (C1-01 through C1-11) | Adjusting accel and decel times will affect the torque presented to the motor during acceleration or deceleration. |
| S-Curve Characteristics (C2-01 through C2-04) | Prevents shock at the beginning and end of acceleration and deceleration. |
| Jump Frequency (d3-01 through d3-04) | Skips over the resonant frequencies of connected machinery. |
| Analog Filter Time Constant (H3-13) | Prevents fluctuation in the analog input signal due to noise. |
| Stall Prevention (L3-01 through L3-06, L3-11) | <ul style="list-style-type: none"> Prevents motor speed loss and overvoltage. Used when the load is too heavy and also during sudden acceleration/ deceleration. Adjustment is not normally required because Stall Prevention is enabled as a default. Disable Stall Prevention during deceleration (L3-04 = "0") when using a braking resistor. |
| Torque Limits (L7-01 through L7-04, L7-06, L7-07) | <ul style="list-style-type: none"> Sets the maximum torque for Open Loop Vector Control. Ensure that the drive capacity is greater than the motor capacity when increasing this setting. Be careful when reducing this value because motor speed loss may occur with heavy loads. |
| Feed Forward Control (n5-01 through n5-03) | Used to increase response for acceleration/deceleration or to reduce overshooting when there is low machine rigidity and the gain of the speed controller (ASR) cannot be increased. The inertia ratio between the load and motor and the acceleration time of the motor running alone must be set. |

6.3 Drive Alarms, Faults, and Errors

◆ Types of Alarms, Faults, and Errors

Check the digital operator for information about possible faults if the drive or motor fails to operate. *Refer to Using the Digital Operator on page 87.*

If problems occur that are not covered in this manual, contact the nearest Yaskawa representative with the following information:

- Drive model
- Software version
- Date of purchase
- Description of the problem

Table 6.8 contains descriptions of the various types of alarms, faults, and errors that may occur while operating the drive.

Table 6.8 Types of Alarms, Faults, and Errors

| Type | Drive Response |
|--------------------------------|--|
| Faults | <p>When the drive detects a fault:</p> <ul style="list-style-type: none"> • The digital operator displays text that indicates the specific fault and the ALM indicator LED remains lit until the fault is reset. • The fault interrupts drive output and the motor coasts to a stop. • Some faults allow the user to select how the drive should stop when the fault occurs. • Fault output terminals MA-MC will close, and MB-MC will open. <p>The drive will remain inoperable until that fault has been cleared. <i>Refer to Fault Reset Methods on page 335.</i></p> |
| Minor Faults and Alarms | <p>When the drive detects an alarm or a minor fault:</p> <ul style="list-style-type: none"> • The digital operator displays text that indicates the specific alarm or minor fault, and the ALM indicator LED flashes. • The drive generally continues running the motor, although some alarms allow the user to select a stopping method when the alarm occurs. • One of the multi-function contact outputs closes if set to be tripped by a minor fault (H2- □□ = 10), but not by an alarm. • The digital operator displays text indicating a specific alarm and ALM indicator LED flashes. <p>To reset the a minor fault or alarm, remove whatever is causing the problem.</p> |
| Operation Errors | <p>When parameter settings conflict with one another or do not match hardware settings (such as with an option card), it results in an operation error. When the drive detects an operation error:</p> <ul style="list-style-type: none"> • The digital operator displays text that indicates the specific error. • Multi-function contact outputs do not operate. <p>The drive will not operate the motor until the error has been reset. Correct the settings that caused the operation error to clear the error.</p> |
| Tuning Errors | <p>Tuning errors occur while performing Auto-Tuning. When the drive detects a tuning error:</p> <ul style="list-style-type: none"> • The digital operator displays text indicating the specific error. • Multi-function contact outputs do not operate. • Motor coasts to stop. <p>Remove the cause of the error and repeat the Auto-Tuning process.</p> |
| Copy Function Errors | <p>These are the types of errors that can occur when using the optional digital operator or the USB Copy Unit to copy, read, or verify parameter settings.</p> <ul style="list-style-type: none"> • The digital operator displays text indicating the specific error. • Multi-function contact outputs do not operate. <p>Pressing any key on the operator will clear the fault. Find out what is causing the problem (such as model incompatibility) and try again.</p> |

◆ Alarm and Error Displays

■ Faults

Table 6.9 gives an overview of possible fault codes. As conditions such as overvoltage can trip both a fault and an alarm, it is important to distinguish between faults and alarms in order to find the right corrective action.

When the drive detects a fault, the ALM indicator LEDs lights and the fault code appears on the display. The drive fault contact MA-MB-MC will be triggered. If the ALM LED blinks and the code appearing on the operator screen is flashes, then an alarm has been detected. See *Minor Faults and Alarms on page 302* for a list of alarm codes.

Table 6.9 Fault Displays (1)

| Digital Operator Display | | Name | Page | Digital Operator Display | | Name | Page |
|--------------------------|-----------------|--|------|--------------------------|----------------|--------------------------------------|------|
| LED Operator | LCD Operator | | | LED Operator | LCD Operator | | |
| boL | boL | Braking Transistor Overload Fault | 306 | FAn | FAn | Internal Fan Fault | 309 |
| bUS | bUS | Option Communication Error | 306 | FbH | FbH | Excessive PID Feedback | 309 |
| CE | CE | MEMOBUS/Modbus Communication Error | 306 | FbL | FbL | PID Feedback Loss | 310 |
| CF | CF | Control Fault | 306 | GF | GF | Ground Fault | 310 |
| [PF00, [PF01<-> | CPF00, CPF01 | Control Circuit Error | 306 | LF | LF | Output Phase Loss | 310 |
| [PF02 | CPF02 | A/D Conversion Error | 306 | LF2 | LF2 | Current Imbalance | 310 |
| [PF03 | CPF03 | Control Board Connection Error | 307 | nSE | nSE | Node Setup Error | 310 |
| [PF06 | CPF06 | EEPROM Memory Data Error | 307 | oC | oC | Overcurrent | 311 |
| [PF07, [PF08 | CPF07, CPF08 | Terminal Board Connection Error | 307 | oFA00 | oFA00 | Option Card Connection Error (CN5-A) | 311 |
| [PF20, [PF21<-> | CPF20, CPF21 | Control Circuit Error | 307 | oFA01 | oFA01 | Option Card Fault (CN5-A) | 311 |
| [PF22 | CPF22 | Hybrid IC Error | 307 | oFA03 to oFA06 | oFA03 to oFA06 | Option Card Error (CN5-A) | 311 |
| [PF23 | CPF23 | Control Board Connection Error | 307 | oFA10, oFA11 | oFA10, oFA11 | Option Card Error (CN5-A) | 311 |
| [PF24 | CPF24 | Drive Unit Signal Fault | 307 | oFA12 to oFA17 | oFA12 to oFA17 | Option Card Connection Error (CN5-A) | 311 |
| [PF26 to [PF34 | CPF26 to CPF34 | Control Circuit Error | 307 | oFA30 to oFA43 | oFA30 to oFA43 | Option Card Connection Error (CN5-A) | 311 |
| dEv | dEv | Excessive Speed Deviation (for Control Mode with PG) | 308 | oFb00 | oFb00 | Option Card Connection Error (CN5-B) | 312 |
| dv1 | dv1 | Z Pulse Fall Detection | 308 | oFb01 | oFb01 | Option Card Fault (CN5-B) | 312 |
| dv2 | dv2 | Z Pulse Noise Fault Detection | 308 | oFb02 | oFb02 | Option Card Fault (CN5-B) | 312 |
| dv3 | dv3 | Inversion Detection | 308 | oFb03, oFb11 | oFb03, oFb11 | Option Card Error (CN5-B) | 312 |
| dv4 | dv4 | Inversion Prevention Detection | 308 | oFb12 to oFb17 | oFb12 to oFb17 | Option Card Connection Error (CN5-B) | 312 |
| dWFL | dWFL | DriveWorksEZ Fault | 308 | oFb30 to oFb43 | oFb30 to oFb43 | Option Card Connection Error (CN5-B) | 312 |
| E5 | E5 | SI-T3 Watchdog Timer Error | 308 | oFC00 | oFC00 | Option Card Connection Error (CN5-C) | 312 |
| EF0 | EF0 | Option Card External Fault | 309 | oFC01 | oFC01 | Option Card Fault (CN5-C) | 312 |
| EF1 to EF8 | EF1 to EF8 | External Fault (input terminal S1 to S8) | 309 | oFC02 | oFC02 | Option Card Fault (CN5-C) | 312 |
| Err | Err | EEPROM Write Error | 309 | | | | |

Table 6.10 Fault Displays (2)

| Digital Operator Display | | Name | Page | Digital Operator Display | | Name | Page |
|--------------------------|-------------------|--------------------------------------|------|--------------------------|--------------|--|------|
| LED Operator | LCD Operator | | | LED Operator | LCD Operator | | |
| oFC03, oFC11 | oFC03, oFC11 | Option Card Error (CN5-C) | 313 | ov | ov | Overvoltage | 315 |
| oFC12 to oFC17 | oFC12 to oFC17 | Option Card Connection Error (CN5-C) | 313 | PF | PF | Input Phase Loss | 316 |
| oFC30 to oFC43 | oFC30 to oFC43 | Option Card Fault (CN5-C) | 313 | PGo | PGo | PG Disconnect (for Control Mode with PG) | 316 |
| oH | oH | Heatsink Overheat | 313 | PGoH | PGoH | PG Hardware Fault (when using PG-X3) | 316 |
| oH1 | oH1 | Heatsink Overheat | 313 | rF | rF | Braking Resistor Fault | 316 |
| oH3 | oH3 | Motor Overheat 1 (PTC input) | 313 | rH | rH | Dynamic Braking Resistor | 316 |
| oH4 | oH4 | Motor Overheat 2 (PTC input) | 313 | rr | rr | Dynamic Braking Transistor | 316 |
| oL1 | oL1 | Motor Overload | 314 | SEr | SEr | Too Many Speed Search Restarts | 316 |
| oL2 | oL2 | Drive Overload | 314 | STo | STo | Pull-Out Detection | 317 |
| oL3 | oL3 | Overtorque Detection 1 | 314 | SvE | SvE | Zero-Servo Fault | 317 |
| oL4 | oL4 | Overtorque Detection 2 | 314 | UL3 | UL3 | Undertorque Detection 1 | 317 |
| oL5 | oL5 | Mechanical Weakening Detection 1 | 314 | UL4 | UL4 | Undertorque Detection 2 | 317 |
| oL7 | oL7 | High Slip Braking oL | 315 | UL5 | UL5 | Mechanical Weakening Detection 2 | 317 |
| oPr | oPr | Operator Connection Fault | 315 | Uv1 | Uv1 | Undervoltage | 317 |
| oS | oS | Overspeed (for Control Mode with PG) | 315 | Uv2 | Uv2 | Control Power Supply Undervoltage | 318 |
| | | | | Uv3 | Uv3 | Soft Charge Circuit Fault | 318 |
| | | | | voF | voF | Output Voltage Detection Fault | 318 |
| | | | | - | - | - | - |

<1> Displayed as $[PF00]$ or $[PF20]$ when occurring at drive power up. When one of the faults occurs after successfully starting the drive, the display will show $[PF01]$ or $[PF21]$.

■ Minor Faults and Alarms

Table 6.11 give an overview of possible alarm codes. As conditions such as overvoltage can trip both a fault and alarm, it is important to distinguish between faults and alarms in order to find the right corrective action.

If an alarm is detected, the ALM LED will blink and the alarm code display flashes. The majority of alarms will trigger a digital output programmed for alarm output (H2-□□ = 10). If the ALM LED lights without blinking, this means that a fault has been detected (not an alarm). Information on fault codes can be found in [Faults on page 301](#).

Table 6.11 Minor Fault and Alarm Displays

| Digital Operator Display | | Name | Minor Fault Output (H2-□□ = 10) | Page |
|--------------------------|--------------|---|------------------------------------|------|
| LED Operator | LCD Operator | | | |
| AEr | AEr | SI-T Station Number Setting Error (CC-Link, CANopen, MECHATROLINK-II) | YES | 319 |
| bb | bb | Drive Baseblock | No output | 319 |
| boL | boL | Braking Transistor Overload Fault | YES | 319 |
| bUS | bUS | Option Card Communications Error | YES | 319 |
| [CALL | CALL | Serial Communication Transmission Error | YES | 319 |
| CE | CE | MEMOBUS/Modbus Communication Error | YES | 320 |
| [rST | CrST | Cannot Reset | YES | 320 |
| dEv | dEv | Excessive Speed Deviation (for Control Mode with PG) | YES | 320 |
| dnE | dnE | Drive Disabled | YES | 320 |
| dWAL | dWAL | DriveWorksEZ Alarm | YES | 308 |

| Digital Operator Display | | Name | Minor Fault Output (H2-□□ = 10) | Page |
|--------------------------|--------------|---|------------------------------------|---------------------|
| LED Operator | LCD Operator | | | |
| <i>E5</i> | E5 | SI-T3 Watchdog Timer Error | YES | 308 |
| <i>EF</i> | EF | Run Command Input Error | YES | 320 |
| <i>EF0</i> | EF0 | Option Card External Fault | YES | 320 |
| <i>EF 1 to</i> | EF1 to EF8 | External Fault (input terminal S1 to S8) | YES | 320 |
| <i>FbH</i> | FbH | Excessive PID Feedback | YES | 321 |
| <i>FbL</i> | FbL | PID Feedback Loss | YES | 321 |
| <i>Hbb</i> | Hbb | Safe Disable Signal Input | YES | 321 |
| <i>HbbF</i> | HbbF | Safe Disable Signal Input | YES | 321 |
| <i>HcA</i> | HCA | Current Alarm | YES | 321 |
| <i>LT-1</i> | LT-1 | Cooling Fan Maintenance Time | No output <I> | 321 |
| <i>LT-2</i> | LT-2 | Capacitor Maintenance Time | No output <I> | 322 |
| <i>LT-3</i> | LT-3 | Soft Charge Bypass Relay Maintenance Time | No output <I> | 322 |
| <i>LT-4</i> | LT-4 | IGBT Maintenance Time (50%) | No output <I> | 322 |
| <i>oH</i> | oH | Heatsink Overheat | YES | 322 |
| <i>oH2</i> | oH2 | Drive Overheat | YES | 322 |
| <i>oH3</i> | oH3 | Motor Overheat | YES | 322 |
| <i>oL3</i> | oL3 | Overtorque 1 | YES | 322 |
| <i>oL4</i> | oL4 | Overtorque 2 | YES | 322 |
| <i>oL5</i> | oL5 | Mechanical Weakening Detection 1 | YES | 323 |
| <i>oS</i> | oS | Overspeed (for Control Mode with PG) | YES | 323 |
| <i>ov</i> | ov | Overvoltage | YES | 323 |
| <i>PASS</i> | PASS | MEMOBUS/Modbus Test Mode Complete | No output | 323 |
| <i>PGo</i> | PGo | PG Disconnect (for Control Mode with PG) | YES | 323 |
| <i>PGoH</i> | PGoH | PG Hardware Fault (when using PG-X3) | YES | 323 |
| <i>rUn</i> | rUn | During Run 2, Motor Switch Command Input | YES | 323 |
| <i>SE</i> | SE | MEMOBUS/Modbus Test Mode Fault | YES | 323 |
| <i>TrPC</i> | TrPC | IGBT Maintenance Time (90%) | YES | 323 |
| <i>UL3</i> | UL3 | Undertorque 1 | YES | 324 |
| <i>UL4</i> | UL4 | Undertorque 2 | YES | 324 |
| <i>UL5</i> | UL5 | Mechanical Weakening Detection 2 | YES | 317 |
| <i>Uv</i> | Uv | Undervoltage | YES | 324 |
| <i>voF</i> | voF | Output Voltage Detection Fault | YES | 324 |

<I> Output when H2-□□ = 2F.

■ Operation Errors

Table 6.12 Operation Error Displays

| Digital Operator Display | | Name | Page |
|--------------------------|--------------|---|---------------------|
| LED Operator | LCD Operator | | |
| <i>oPE01</i> | oPE01 | Drive Unit Setting Error | 325 |
| <i>oPE02</i> | oPE02 | Parameter Setting Range Error | 325 |
| <i>oPE03</i> | oPE03 | Multi-Function Input Setting Error | 325 |
| <i>oPE04</i> | oPE04 | Terminal Board Mismatch Error | 326 |
| <i>oPE05</i> | oPE05 | Run Command Selection Error | 326 |
| <i>oPE06</i> | oPE06 | Control Method Selection Error | 326 |
| <i>oPE07</i> | oPE07 | Multi-Function Analog Input Selection Error | 326 |
| <i>oPE08</i> | oPE08 | Parameter Selection Error | 326 |

| Digital Operator Display | | Name | Page |
|--------------------------|--------------|---------------------------------------|---------------------|
| LED Operator | LCD Operator | | |
| <i>oPE09</i> | oPE09 | PID Control Selection Error | 326 |
| <i>oPE10</i> | oPE10 | V/f Data Setting Error | 327 |
| <i>oPE11</i> | oPE11 | Carrier Frequency Setting Error | 327 |
| <i>oPE13</i> | oPE13 | Pulse Train Monitor Selection Error | 327 |
| <i>oPE15</i> | oPE15 | Torque Control Setting Error | 327 |
| <i>oPE16</i> | oPE16 | Energy Saving Constants Error | 327 |
| <i>oPE18</i> | oPE18 | Online Tuning Parameter Setting Error | 327 |
| - | - | - | - |

■ Auto-Tuning Errors

Table 6.13 Auto-Tuning Error Displays

| Digital Operator Display | | Name | Page |
|--------------------------|--------------|--|---------------------|
| LED Operator | LCD Operator | | |
| <i>End1</i> | End1 | Excessive V/f Setting | 328 |
| <i>End2</i> | End2 | Motor Iron Core Saturation Coefficient Error | 328 |
| <i>End3</i> | End3 | Rated Current Setting Alarm | 328 |
| <i>End4</i> | End4 | Adjusted Slip Value Fell Below Lower Limit | 328 |
| <i>End5</i> | End5 | Resistance Between Lines Error | 328 |
| <i>End6</i> | End6 | Leakage Inductance Alarm | 328 |
| <i>End7</i> | End7 | No-Load Current Alarm | 328 |
| <i>Er-01</i> | Er-01 | Motor Data Error | 329 |
| <i>Er-02</i> | Er-02 | Alarm | 329 |
| <i>Er-03</i> | Er-03 | STOP button Input | 329 |
| <i>Er-04</i> | Er-04 | Line-to-Line Resistance Error | 329 |
| <i>Er-05</i> | Er-05 | No-Load Current Error | 329 |
| <i>Er-08</i> | Er-08 | Rated Slip Error | 329 |

| Digital Operator Display | | Name | Page |
|--------------------------|--------------|--------------------------|---------------------|
| LED Operator | LCD Operator | | |
| <i>Er-09</i> | Er-09 | Acceleration Error | 329 |
| <i>Er-10</i> | Er-10 | Motor Direction Error | 329 |
| <i>Er-11</i> | Er-11 | Motor Speed Error | 330 |
| <i>Er-12</i> | Er-12 | Current Detection Error | 330 |
| <i>Er-13</i> | Er-13 | Leakage Inductance Error | 330 |
| <i>Er-14</i> | Er-14 | Motor Speed Error 2 | 330 |
| <i>Er-15</i> | Er-15 | Torque Saturation Error | 330 |
| <i>Er-16</i> | Er-16 | Inertia ID Error | 330 |
| <i>Er-17</i> | Er-17 | Reverse Prohibited Error | 330 |
| <i>Er-18</i> | Er-18 | Induction Voltage Error | 330 |
| <i>Er-19</i> | Er-19 | PM Inductance Error | 330 |
| <i>Er-20</i> | Er-20 | Stator Resistance Error | 330 |
| <i>Er-21</i> | Er-21 | Z Pulse Correction Error | 331 |

■ Errors and Displays When Using the Copy Function

Table 6.14 Copy Errors

| Digital Operator Display | | Name | Page |
|--------------------------|--------------|--|---------------------|
| LED Operator | LCD Operator | | |
| <i>CoPy</i> | CoPy | Writing parameter settings (flashing) | 332 |
| <i>CPeR</i> | CPEr | Control mode of the drive does not match | 332 |
| <i>CPyE</i> | CPyE | Error writing data | 332 |
| <i>CSEr</i> | CSEr | Error occurred in the copy function | 332 |
| <i>dFpS</i> | dFpS | Drive models do not match. | 332 |
| <i>End</i> | End | Task completed | 332 |
| <i>iFEr</i> | iFEr | Communication error | 332 |
| <i>ndAT</i> | ndAT | Model, voltage class, capacity, and/or control mode differ | 332 |
| <i>rdEr</i> | rdEr | Error reading data | 333 |
| <i>rEAd</i> | rEAd | Reading parameter settings (flashing) | 333 |

| Digital Operator Display | | Name | Page |
|--------------------------|--------------|---|---------------------|
| LED Operator | LCD Operator | | |
| <i>vAEr</i> | vAEr | Voltage class and/or drive capacity does not match | 333 |
| <i>vFyE</i> | vFyE | Parameter settings in the drive and those saved to the copy function are not the same | 333 |
| <i>vrFy</i> | vrFy | Comparing parameter settings (flashing) | 333 |

6.4 Fault Detection

◆ Fault Displays, Causes, and Possible Solutions

Faults are detected for drive protection, and cause the drive to stop. When a fault occurs, the fault output terminal MA-MB-MC is triggered. Faults have to be cleared manually after removing the cause to start running the drive again.


Table 6.15 Detailed Fault Displays, Causes, and Possible Solutions

| Digital Operator Display | | Fault Name |
|---|-----------------------|---|
| <i>boL</i> | boL | Braking Transistor Overload Fault |
| Cause | | Possible Solution |
| The wrong braking resistor is installed. | | <ul style="list-style-type: none"> Select the optimal braking resistor. |
| Digital Operator Display | | Fault Name |
| <i>bUS</i> | bUS | Option Communication Error |
| Cause | | Possible Solution |
| No signal received from the PLC. | | <ul style="list-style-type: none"> Check for faulty wiring. Correct the wiring. Check for disconnected cables and short circuits. Repair as needed. |
| Faulty communications wiring or a short circuit exists. | | |
| A communications data error occurred due to noise. | | |
| The option card is damaged. | | <ul style="list-style-type: none"> Replace the option card if there are no problems with the wiring and the error continues to occur. |
| The option card is not properly connected to the drive. | | <ul style="list-style-type: none"> The connector pins on the option card are not properly lined up with the connector pins on the drive. Reinstall the option card. |
| Digital Operator Display | | Fault Name |
| <i>CE</i> | CE | MEMOBUS/Modbus Communication Error |
| Cause | | Possible Solution |
| Faulty communications wiring or a short circuit exists. | | <ul style="list-style-type: none"> Check for faulty wiring. Correct the wiring. Check for disconnected cables and short circuits. Repair as needed. |
| Communication data error occurred due to noise. | | |
| The option card is damaged. | | |
| The option card is not properly connected to the drive. | | <ul style="list-style-type: none"> Replace the option card if there are no problems with the wiring and the error continues to occur. |
| Digital Operator Display | | Fault Name |
| <i>CF</i> | CF | Control Fault |
| Cause | | Possible Solution |
| Motor parameters are not set properly. | | Check the motor parameter settings and repeat Auto-Tuning. |
| Torque limit is too low. | | Set the torque limit to the most appropriate setting (L7-01 through L7-04). |
| Load inertia is too big. | | <ul style="list-style-type: none"> Adjust the deceleration time (C1-02, -04, -06, -08). Set the frequency to the minimum value and interrupt the Run command when the drive finishes decelerating. |
| Digital Operator Display | | Fault Name |
| <i>CPF00</i> or <i>CPF01</i> </> | CPF00 or CPF01 </> | Control Circuit Error |
| Cause | | Possible Solution |
| There is a self diagnostic error in control circuit. | | <ul style="list-style-type: none"> Cycle power to the drive. If the problem continues, replace either the control board or the entire drive. For instructions on replacing the control board, contact Yaskawa or your nearest sales representative. |
| Connector on the operator is damaged. | | |
| Control circuit is damaged. | | <ul style="list-style-type: none"> Replace the operator. |
| Digital Operator Display | | Fault Name |
| <i>CPF02</i> | CPF02 | A/D Conversion Error |
| Cause | | Possible Solution |
| Control circuit is damaged. | | <ul style="list-style-type: none"> An A/D conversion error or control circuit error occurred. Cycle power to the drive. If the problem continues, replace either the control board or the entire drive. For instructions on replacing the control board, contact Yaskawa or your nearest sales representative. |

| Digital Operator Display | | Fault Name |
|--|----------------|--|
| [PF03] | CPF03 | Control Board Connection Error |
| Cause | | Possible Solution |
| There is a connection error. | | <ul style="list-style-type: none"> Turn the power off and check the connection between the control board and the drive. If the problem continues, replace either the control board or the entire drive. |
| Drive fails to operate properly due to noise interference. | | <ul style="list-style-type: none"> Check the various options available to minimize the effects of noise. Take steps to counteract noise in the control circuit, main circuit, and ground wiring. Use only recommended cables or other shielded line. Ground the shield on the controller side or on the drive input power side. Ensure that other equipment such as switches or relays do not cause noise and use surge suppressors if required. Separate all communication wiring from drive power lines. Install an EMC noise filter to the drive power supply input. |
| Digital Operator Display | | Fault Name |
| [PF06] | CPF06 | EEPROM Memory Data Error |
| Cause | | Possible Solution |
| There is an error in EEPROM control circuit. | | <ul style="list-style-type: none"> Turn the power off and check the connection between the control board and the drive. If the problem continues, replace either the control board or the entire drive. For instructions on replacing the control board, contact Yaskawa or your nearest sales representative. |
| The power supply was switched off when parameters were being saved to the drive. | | Reinitialize the drive (A1-03). |
| Digital Operator Display | | Fault Name |
| [PF07] | CPF07 | Terminal Board Connection Error |
| [PF08] | CPF08 | |
| Cause | | Possible Solution |
| There is a fault connection between the terminal board and control board. | | <ul style="list-style-type: none"> Turn the power off and reconnect the control circuit terminal board. If the problem continues, replace either the control board or the entire drive. For instructions on replacing the control board, contact Yaskawa or your nearest sales representative. |
| Digital Operator Display | | Fault Name |
| [PF20] or [PF21] | CPF20 or CPF21 | Control Circuit Error |
| Cause | | Possible Solution |
| Hardware is damaged. | | <ul style="list-style-type: none"> Cycle power to the drive. If the problem continues, replace either the control board or the entire drive. For instructions on replacing the control board, contact Yaskawa or your nearest sales representative. |
| Digital Operator Display | | Fault Name |
| [PF22] | CPF22 | Hybrid IC Error |
| Cause | | Possible Solution |
| Hybrid IC on the main circuit is damaged. | | <ul style="list-style-type: none"> Cycle power to the drive. Refer to Diagnosing and Resetting Faults on page 334. If the problem continues, replace either the control board or the entire drive. For instructions on replacing the control board, contact Yaskawa or your nearest sales representative. |
| Digital Operator Display | | Fault Name |
| [PF23] | CPF23 | Control Board Connection Error |
| Cause | | Possible Solution |
| Hardware is damaged. | | <ul style="list-style-type: none"> Turn the power off and check the connection between the control board and the drive. If the problem continues, replace either the control board or the entire drive. For instructions on replacing the control board, contact Yaskawa or your nearest sales representative. |
| Digital Operator Display | | Fault Name |
| [PF24] | CPF24 | Drive Unit Signal Fault |
| Cause | | Possible Solution |
| Hardware is damaged. | | Replace either the control board or the entire drive. For instructions on replacing the control board, contact Yaskawa or your nearest sales representative. |
| Digital Operator Display | | Fault Name |
| [PF26] to [PF34] | CPF26 to CPF34 | Control Circuit Error |
| Cause | | Possible Solution |
| Hardware is damaged. | | Replace either the control board or the entire drive. For instructions on replacing the control board, contact Yaskawa or your nearest sales representative. |

6.4 Fault Detection

| Digital Operator Display | | Fault Name |
|---|------|---|
| dEv | dEv | Speed Deviation (for Control Mode with PG) |
| | | The deviation between the speed reference and speed feedback is greater than the setting in F1-10 for longer than the time set to F1-11. |
| Cause | | Possible Solution |
| Load is too heavy. | | Reduce the load. |
| Acceleration and deceleration times are set too short. | | Increase the acceleration and deceleration times (C1-01 through C1-08). |
| The load is locked up. | | Check the machine. |
| Parameters are not set appropriately. | | Check the settings of parameters F1-10 and F1-11. |
| Incorrect speed feedback scaling if terminal RP is used as speed feedback input in V/f control. | | <ul style="list-style-type: none"> Set H6-02 to the same value as the speed feedback signal frequency when the motor runs at maximum speed. Adjust the speed feedback signal using parameters H6-03 through H6-05. Make sure the speed feedback signal frequency does not exceed the maximum input frequency of terminal RP. |
| Motor brake engaged. | | Ensure the motor brake releases properly. |
| Digital Operator Display | | Fault Name |
| dv1 | dv1 | Z Pulse Fault |
| | | The motor turned one full rotation without the Z pulse being detected. |
| Cause | | Possible Solution |
| PG encoder is not connected, not wired properly, or is damaged. | | <ul style="list-style-type: none"> Make sure the PG encoder is properly connected and all shielded lines are properly grounded. If the problem continues after cycling power, then replace either the PG option card or the PG encoder itself. |
| Digital Operator Display | | Fault Name |
| dv2 | dv2 | Z Pulse Noise Fault Detection |
| | | The Z pulse is out of phase by more than 5 degrees for the number of times specified in parameter F1-17. |
| Cause | | Possible Solution |
| Noise interference along the PG cable. | | Separate the PG cable lines from the source of the noise (very possibly drive output wiring). |
| PG cable is not wired properly. | | Rewire the PG encoder and make sure all shielded lines are properly grounded. |
| PG option card or the PG encoder is damaged. | | If the problem continues after cycling power, then replace either the PG option card or the PG encoder itself. |
| Digital Operator Display | | Fault Name |
| dv3 | dv3 | Inversion Detection |
| | | The torque reference and acceleration are in opposite directions from one another (one is in reverse and the other is forward) while at the same time the speed reference and actual motor speed differ by over 30% for the number of pulses set to F1-18. |
| Cause | | Possible Solution |
| The Z pulse offset is not set properly to E5-11. | | Set the value for Δθ to E5-11 as specified on the motor nameplate. Replacing the PG encoder or changing the application so that the motor rotates in reverse instead requires readjustment of the Z pulse offset. |
| An external force on the load side has caused the motor to move. | | <ul style="list-style-type: none"> Make sure the motor is rotating in the right direction. Look for any problems on the load side that might be causing the motor to rotate in the opposite direction. |
| Noise interference along the PG cable affecting the A or B pulse. | | Rewire the PG encoder and make sure all lines including shielded line are properly connected. |
| PG encoder is disconnected, not wired properly, or the PG option card or PG itself is damaged. | | |
| Rotational direction for the PG encoder set to F1-05 is the opposite of the order of the motor lines. | | Make sure motor lines for each phase (U, V, W) are connected properly. |
| Digital Operator Display | | Fault Name |
| dv4 | dv4 | Inversion Prevention Detection |
| | | Pulses indicate that the motor is rotating in the opposite direction of the speed reference. Set the number of pulses to trigger inverse detection to F1-19. Note: Disable inverse detection in applications where the motor may rotate in the opposite direction of the speed reference. Setting F1-19 to 0 disables this feature. |
| Cause | | Possible Solution |
| The Z pulse offset is not set properly to E5-11. | | <ul style="list-style-type: none"> Set the value for Δθ to E5-11 as specified on the motor nameplate. If the problem continues after cycling power, then replace either the PG option card or the PG encoder itself. Replacing the PG encoder or changing the application so that the motor rotates in reverse instead requires readjustment of the Z-pulse offset. |
| Noise interference along the PG cable affecting the A or B pulse. | | <ul style="list-style-type: none"> Make sure the motor is rotating in the correct direction. Look for any problems on the load side that might be causing the motor to rotate in the opposite direction. |
| PG encoder is disconnected, not wired properly, or the PG option card or PG itself is damaged. | | <ul style="list-style-type: none"> Rewire the PG encoder and make sure all lines including shielded line are properly connected. If the problem continues after cycling power, then replace either the PG option card or the PG encoder itself. |
| Digital Operator Display | | Fault Name |
| dWAL | dWAL | DriveWorksEZ Fault |
| dWFL | dWFL | |
| Cause | | Possible Solution |
| Fault output by DriveWorksEZ | | <ul style="list-style-type: none"> Correct whatever caused the fault. |
| Digital Operator Display | | Fault Name |
| E5 | E5 | SI-T3 Watchdog Timer Error |
| | | The watchdog has timed out. |
| Cause | | Possible Solution |
| Data has not been received from the PLC, triggering the watchdog timer. | | ⇒ Execute DISCONNECT or ALM_CLR, then issue a CONNECT command or SYNC_SET command and proceed to phase 3. |

| Digital Operator Display | | Fault Name |
|---|-----|---|
| EFO | EF0 | Option Card External Fault |
| | | An external fault condition is present. |
| Cause | | Possible Solution |
| An external fault was received from the PLC with other than F6-03 = 3 "alarm only" (the drive continued to run after external fault). | | <ul style="list-style-type: none"> Remove the cause of the external fault. Remove the external fault input from the PLC. |
| Problem with the PLC program. | | Check the PLC program and correct problems. |
| Digital Operator Display | | Fault Name |
| EF1 | EF1 | External Fault (input terminal S1) |
| | | External fault at multi-function input terminal S1. |
| EF2 | EF2 | External Fault (input terminal S2) |
| | | External fault at multi-function input terminal S2. |
| EF3 | EF3 | External Fault (input terminal S3) |
| | | External fault at multi-function input terminal S3. |
| EF4 | EF4 | External Fault (input terminal S4) |
| | | External fault at multi-function input terminal S4. |
| EF5 | EF5 | External Fault (input terminal S5) |
| | | External fault at multi-function input terminal S5. |
| EF6 | EF6 | External Fault (input terminal S6) |
| | | External fault at multi-function input terminal S6. |
| EF7 | EF7 | External Fault (input terminal S7) |
| | | External fault at multi-function input terminal S7. |
| EF8 | EF8 | External Fault (input terminal S8) |
| | | External fault at multi-function input terminal S8. |
| Cause | | Possible Solution |
| An external device has tripped an alarm function. | | Remove the cause of the external fault and reset the fault. |
| Wiring is incorrect. | | <ul style="list-style-type: none"> Ensure the signal lines have been connected properly to the terminals assigned for external fault detection (H1-□□ = 20 to 2F). Reconnect the signal line. |
| Incorrect setting of multi-function contact inputs. | | <ul style="list-style-type: none"> Check if the any unused terminals are set for H1-□□ = 20 to 2F (External Fault). Change the terminal settings. |
| Digital Operator Display | | Fault Name |
| Err | Err | EEPROM Write Error |
| | | Data cannot be written to the EEPROM. |
| Cause | | Possible Solution |
| Noise has corrupted data while writing to the EEPROM. | | <ul style="list-style-type: none"> Press the  button. Correct the parameter setting. Cycle power to the drive. <i>Refer to Diagnosing and Resetting Faults on page 334.</i> Replace either the control board or the entire drive. For instructions on replacing the control board, contact Yaskawa or your nearest sales representative. |
| Hardware problem. | | <ul style="list-style-type: none"> Replace either the control board or the entire drive. For instructions on replacing the control board, contact Yaskawa or your nearest sales representative. |
| Digital Operator Display | | Fault Name |
| FAn | FAn | Internal Fan Fault |
| | | Fan or magnetic contactor failed. |
| Cause | | Possible Solution |
| Internal cooling fan has malfunctioned (models 2A0360, 2A0415, 4A0362 to 4A0675). | | Cycle power to the drive and see if the fault is still present. Check if the fan is operating or not. Verify the cumulative operation time of the fan using monitor U4-03, and the fan maintenance timer in U4-04. If the cooling fan has passed its expected performance life or is damaged in some way, follow the instructions in this manual to replace it. |
| Fault detected in the internal cooling fan or magnetic contactor to the power supply (models 2A0250 to 2A0415, 4A0165 to 4A0675). | | Cycle power to the drive and see if the fault is still present. If the fault still occurs, either replace the control circuit board or the entire unit. For instructions on replacing the power board, contact the Yaskawa sales office directly or your nearest Yaskawa representative. |
| Digital Operator Display | | Fault Name |
| FbH | FbH | Excessive PID Feedback |
| | | PID feedback input is greater than the level set b5-36 for longer than the time set to b5-37. To enable fault detection, set b5-12 = 2 or 5. |
| Cause | | Possible Solution |
| Parameters are not set appropriately. | | Check the settings of parameters b5-36 and b5-37. |
| Wiring for PID feedback is incorrect. | | Correct the wiring. |
| There is a problem with the feedback sensor. | | <ul style="list-style-type: none"> Check the sensor on the control side. Replace the sensor if damaged. |

6.4 Fault Detection

| Digital Operator Display | | Fault Name |
|--|-----|---|
| FbL | FbL | PID Feedback Loss |
| | | This fault occurs when PID feedback loss detection is programmed to trigger a fault (b5-12 = 2) and the PID feedback level is below the detection level set to b5-13 for longer than the time set to b5-14. |
| Cause | | Possible Solution |
| Parameters are not set appropriately. | | Check the settings of parameters b5-13 and b5-14. |
| Wiring for PID feedback is incorrect. | | Correct the wiring. |
| There is a problem with the feedback sensor. | | Check the sensor on the controller side. If damaged, replace the sensor. |
| Digital Operator Display | | Fault Name |
| GF | GF | Ground Fault |
| | | <ul style="list-style-type: none"> A current short to ground exceeded 50% of rated current on the output side of the drive. Setting L8-09 to 1 enables ground fault detection in models 2A0030 through 2A0415 and 4A0018 through 4A0675. |
| Cause | | Possible Solution |
| Motor insulation is damaged. | | <ul style="list-style-type: none"> Check the insulation resistance of the motor. Replace the motor. |
| A damaged motor cable is creating a short circuit. | | <ul style="list-style-type: none"> Check the motor cable. Remove the short circuit and turn the power back on. |
| The leakage current at the drive output is too high. | | <ul style="list-style-type: none"> Check the resistance between the cable and the ground terminal (⊕). Replace the cable. |
| The drive started to run during a current offset fault or while coasting to a stop. | | <ul style="list-style-type: none"> Reduce the carrier frequency. Reduce the amount of stray capacitance. |
| Hardware problem. | | <ul style="list-style-type: none"> The value set exceeds the allowable setting range while the drive automatically adjusts the current offset (this happens only when attempting to restart a PM motor that is coasting to stop). Enable Speed Search at start (b3-01 = 1). Perform Speed Search 1 or 2 (H1-□□ = 61 or 62) via one of the external terminals. <p>Note: Speed Search 1 and 2 are the same when using PM OLV.</p> |
| Replace either the control board or the entire drive. For instructions on replacing the control board, contact Yaskawa or your nearest sales representative. | | |
| Digital Operator Display | | Fault Name |
| LF | LF | Output Phase Loss |
| | | <ul style="list-style-type: none"> Phase loss on the output side of the drive. Phase Loss Detection is enabled when L8-07 is set to 1 or 2. |
| Cause | | Possible Solution |
| The output cable is disconnected. | | <ul style="list-style-type: none"> Check for wiring errors and ensure the output cable is connected properly. Correct the wiring. |
| The motor winding is damaged. | | <ul style="list-style-type: none"> Check the resistance between motor lines. Replace the motor if the winding is damaged. |
| The output terminal is loose. | | <ul style="list-style-type: none"> Apply the tightening torque specified in this manual to fasten the terminals. <i>Refer to Wire Size on page 74.</i> |
| The rated current of the motor being used is less than 5% of the drive rated current. | | Check the drive and motor capacities. |
| An output transistor is damaged. | | Replace either the control board or the entire drive. For instructions on replacing the control board, contact Yaskawa or your nearest sales representative. |
| A single-phase motor is being used. | | The drive cannot operate a single phase motor. |
| Digital Operator Display | | Fault Name |
| LF2 | LF2 | Output current imbalance (detected when L8-29 = 1) |
| | | One or more of the phases in the output current is lost. |
| Cause | | Possible Solution |
| Phase loss has occurred on the output side of the drive. | | <ul style="list-style-type: none"> Check for faulty wiring or poor connections on the output side of the drive. Correct the wiring. |
| Terminal wires on the output side of the drive are loose. | | Apply the tightening torque specified in this manual to fasten the terminals. <i>Refer to Wire Size on page 74.</i> |
| The output circuit is damaged. | | Replace either the control board or the entire drive. For instructions on replacing the control board, contact Yaskawa or your nearest sales representative. |
| Motor impedance or motor phases are uneven. | | <ul style="list-style-type: none"> Measure the line-to-line resistance for each motor phase. Ensure all values are the same. Replace the motor. |
| Digital Operator Display | | Fault Name |
| nSE | nSE | Node Setup Error |
| | | A terminal assigned to the node setup function closed during run. |
| Cause | | Possible Solution |
| The node setup terminal closed during run. | | Stop the drive when using the node setup function. |
| A run command was issued while the node setup function was active. | | |

| Digital Operator Display | | Fault Name |
|--|----------------|--|
| | oC | Overcurrent |
| Cause | | Possible Solution |
| The motor has been damaged due to overheating or the motor insulation is damaged. | | <ul style="list-style-type: none"> Check the insulation resistance. Replace the motor. |
| One of the motor cables has shorted out or there is a grounding problem. | | <ul style="list-style-type: none"> Check the motor cables. Remove the short circuit and power the drive back up. Check the resistance between the motor cables and the ground terminal \oplus. Replace damaged cables. |
| The load is too heavy. | | <ul style="list-style-type: none"> Measure the current flowing into the motor. Replace the drive with a larger capacity unit if the current value exceeds the rated current of the drive. Determine if there is sudden fluctuation in the current level. Reduce the load to avoid sudden changes in the current level or switch to a larger drive. |
| The acceleration or deceleration times are too short. | | Calculate the torque needed during acceleration relative to the load inertia and the specified acceleration time. If the right amount of torque cannot be set, make the following changes: <ul style="list-style-type: none"> Increase the acceleration time (C1-01, -03, -05, -07) Increase the S-curve characteristics (C2-01 through C2-04) Increase the capacity of the drive. |
| The drive is attempting to operate a specialized motor or a motor larger than the maximum size allowed. | | <ul style="list-style-type: none"> Check the motor capacity. Ensure that the rated capacity of the drive is greater than or equal to the capacity rating found on the motor nameplate. |
| Magnetic contactor (MC) on the output side of the drive has turned on or off. | | Set up the operation sequence so that the MC is not tripped while the drive is outputting current. |
| V/f setting is not operating as expected. | | <ul style="list-style-type: none"> Check the ratios between the voltage and frequency. Set parameter E1-04 through E1-10 appropriately (E3-04 through E3-10 for motor 2). Lower the voltage if it is too high relative to the frequency. |
| Excessive torque compensation. | | <ul style="list-style-type: none"> Check the amount of torque compensation. Reduce the torque compensation gain (C4-01) until there is no speed loss and less current. |
| Drive fails to operate properly due to noise interference. | | <ul style="list-style-type: none"> Review the possible solutions provided for handling noise interference. Review the section on handling noise interference and check the control circuit lines, main circuit lines, and ground wiring. |
| Overexcitation gain is set too high. | | <ul style="list-style-type: none"> Check if fault occurs simultaneously to overexcitation function operation. Consider motor flux saturation and reduce the value of n3-13 (Overexcitation Deceleration Gain). |
| Run command applied while motor was coasting. | | <ul style="list-style-type: none"> Enable Speed Search at start (b3-01 = 1). Program the Speed Search command input through one of the multi-function contact input terminals (H1-□□ = 61 or 62). |
| The wrong motor code has been entered for PM Open Loop Vector (Yaskawa motors only) or the motor data are wrong. | | <ul style="list-style-type: none"> Enter the correct motor code to E5-01. If a non-Yaskawa PM motor is used, enter "FFFF" to E5-01. Set the correct motor data to the E5-□□ parameters or perform Auto-Tuning. |
| The motor control method and motor do not match. | | <ul style="list-style-type: none"> Check which motor control method the drive is set to (A1-02). For IM motors, set A1-02 = "0", "1", "2", or "3". For PM motors, set A1-02 = "5", "6" or "7". |
| The drives rated output current is too small. | | Use a larger drive. |
| Digital Operator Display | | Fault Name |
| | oFA00 | Option Card Connection Error at Option Port CN5-A |
| Cause | | Possible Solution |
| The option card installed into port CN5-A is incompatible with the drive. | | Check if the drive supports the option card that you are attempting to install. Contact Yaskawa for assistance. |
| A PG option card is connected to option port CN5-A | | PG option boards are supported by option ports CN5-B and CN5-C only. Place the PG option card into the correct option port. |
| Digital Operator Display | | Fault Name |
| | oFA01 | Option Card Fault at Option Port CN5-A |
| Cause | | Possible Solution |
| The option board connection to port CN5-A is faulty. | | <ul style="list-style-type: none"> Turn the power off and reconnect the option card. Check if the option card is properly plugged into the option port. Make sure the card is fixed properly. If the option is not a communication option card, try to use the card in another option port. If it works there, replace the drive. If the error persists (oFb01 or oFC01 occur), replace the option board. |
| Digital Operator Display | | Fault Name |
| | oFA03 to oFA06 | Option card error occurred at option port CN5-A |
| | oFA10, oFA11 | |
| | oFA12 to oFA17 | |
| | oFA30 to oFA43 | |
| Cause | | Possible Solution |
| Option card or hardware is damaged. | | <ul style="list-style-type: none"> Cycle power to the drive. If the problem continues, replace either the control board or the entire drive. For instructions on replacing the control board, contact Yaskawa or your nearest sales representative. |

6.4 Fault Detection

| Digital Operator Display | | Fault Name | | |
|---|--|--|-------------------------------------|--|
| oFb00 | oFb00 | Option Card Fault at Option Port CN5-B | | |
| | | Option compatibility error | | |
| Cause | | Possible Solution | | |
| The option card installed into port CN5-B is incompatible with the drive. | | Check if the drive supports the option card that you are attempting to install. Contact Yaskawa for assistance. | | |
| A communication option card has been installed in option port CN5-B. | | Communication option cards are supported by option port CN5-A only. More than one comm. option cannot be installed. | | |
| Digital Operator Display | | Fault Name | | |
| oFb01 | oFb01 | Option Card Fault at Option Port CN5-B | | |
| | | Option not properly connected | | |
| Cause | | Possible Solution | | |
| The option board connection to port CN5-B is faulty. | | <ul style="list-style-type: none"> Turn the power off and reconnect the option card. Check if the option card is properly plugged into the option port. Make sure the card is fixed properly. Try to use the card in another option port (in case of a PG option use port CN5-C). If option card still doesn't work there, replace the drive. If the error persists (oFA01 or oFC01 occur), replace the option board. | | |
| Digital Operator Display | | Fault Name | | |
| oFb02 | oFb02 | Option Card Fault at Option Port CN5-B | | |
| | | Same type of option card already connected | | |
| Cause | | Possible Solution | | |
| An option card of the same type is already installed in option port CN5-A. | | Except for PG options, each option card type can only be installed once. Make sure only one type of option card is connected. | | |
| An input option card is already installed in option port CN5-A. | | Make sure that a comm. option, a digital input option, or an analog input option is installed. The same type of card cannot be installed twice. | | |
| Digital Operator Display | | Fault Name | | |
| oFb03 to oFb11 oFb12 to oFb17 oFb30 to oFb43 | oFb03 to oFb11 oFb12 to oFb17 oFb30 to oFb43 | Option card error occurred at Option Port CN5-B | | |
| | | | Cause | |
| | | | Option card or hardware is damaged. | |
| Possible Solution | | <ul style="list-style-type: none"> Cycle power to the drive. If the problem continues, replace either the control board or the entire drive. For instructions on replacing the control board, contact Yaskawa or your nearest sales representative. | | |
| Digital Operator Display | | Fault Name | | |
| oFC00 | oFC00 | Option Card Connection Error at Option Port CN5-C | | |
| | | Option compatibility error | | |
| Cause | | Possible Solution | | |
| The option card installed into port CN5-C is incompatible with the drive. | | Check if the drive supports the option card that you are attempting to instal. Contact Yaskawa for assistance. | | |
| A communication option card has been installed in option port CN5-C. | | Communication option cards are supported by option port CN5-A only. More than one comm. option cannot be installed. | | |
| Digital Operator Display | | Fault Name | | |
| oFC01 | oFC01 | Option Card Fault at Option Port CN5-C | | |
| | | Option not properly connected | | |
| Cause | | Possible Solution | | |
| The option board connection to port CN5-C is faulty. | | <ul style="list-style-type: none"> Turn the power off and reconnect the option card. Check if the option card is properly plugged into the option port. Make sure the card is fixed properly. Try to use the card in another option port (in case of a PG option use port CN5-B). If it works there, replace the drive. If the error persists (oFA01 or oFb01 occur), replace the option board. | | |
| Digital Operator Display | | Fault Name | | |
| oFC02 | oFC02 | Option Card Fault at Option Port CN5-C | | |
| | | Same type of option card already connected | | |
| Cause | | Possible Solution | | |
| An option card of the same type is already installed in option port CN5-A or CN5-B. | | Except for PG options, each option card type can only be installed once. Make sure only one type of option card is connected. | | |
| An input option card is already installed in option port CN5-A or CN5-B. | | Make sure that a comm. option, a digital input option, or an analog input option is installed. The same type of card cannot be installed twice. | | |
| Three PG option boards are installed. | | Maximum two PG option boards can be used at the same time. Remove the PG option board installed into option port CN5-A. | | |

| Digital Operator Display | | Fault Name |
|--------------------------------------|----------------|--|
| oFC03 to oFC11 | oFC03 to oFC11 | Option card error occurred at option port CN5-C |
| oFC12 to oFC17 | oFC12 to oFC17 | |
| oFC30 to oFC43 | oFC30 to oFC43 | |
| Cause | | Possible Solution |
| Option card or hardware is damaged. | | <ul style="list-style-type: none"> • Cycle power to the drive. • If the problem continues, replace either the control board or the entire drive. For instructions on replacing the control board, contact Yaskawa or your nearest sales representative. |
| Digital Operator Display | | Fault Name |
| oH | oH | Heatsink Overheat |
| | | The temperature of the heatsink exceeded the overheat pre-alarm level set to L8-02. Default value for L8-02 is determined by drive capacity (o2-04). |
| Cause | | Possible Solution |
| Surrounding temperature is too high. | | <ul style="list-style-type: none"> • Check the temperature surrounding the drive. Verify temperature is within drive specifications. • Improve the air circulation within the enclosure panel. • Install a fan or air conditioner to cool the surrounding area. • Remove anything near the drive that might be producing excessive heat. |
| Load is too heavy. | | <ul style="list-style-type: none"> • Measure the output current. • Decrease the load. • Lower the carrier frequency (C6-02). |
| Internal cooling fan is stopped. | | <ul style="list-style-type: none"> • Replace the cooling fan. <i>Refer to Cooling Fan Component Names on page 352.</i> • After replacing the drive, reset the cooling fan maintenance parameter (o4-03 = 0). |
| Digital Operator Display | | Fault Name |
| oH1 | oH1 | Overheat 1 (Heatsink Overheat) |
| | | The temperature of the heatsink exceeded the drive overheat level. The overheat level is determined by drive capacity (o2-04). |
| Cause | | Possible Solution |
| Surrounding temperature is too high. | | <ul style="list-style-type: none"> • Check the temperature surrounding the drive. • Improve the air circulation within the enclosure panel. • Install a fan or air conditioner to cool the surrounding area. • Remove anything near the drive that might be producing excessive heat. |
| Load is too heavy. | | <ul style="list-style-type: none"> • Measure the output current. • Lower the carrier frequency (C6-02). • Reduce the load. |
| Digital Operator Display | | Fault Name |
| oH3 | oH3 | Motor Overheat Alarm (PTC Input) |
| | | <ul style="list-style-type: none"> • The motor overheat signal to analog input terminal A1, A2, or A3 exceeded the alarm detection level. • Detection requires multi-function analog input H3-02, H3-06, or H3-10 be set to "E". |
| Cause | | Possible Solution |
| Motor has overheated | | <ul style="list-style-type: none"> • Check the size of the load, the accel/decel times, and the cycle times. • Decrease the load. • Increase the acceleration and deceleration times (C1-01 through C1-08). |
| | | <ul style="list-style-type: none"> • Adjust the preset V/f pattern (E1-04 through E1-10). This will mainly involve reducing E1-08 and E1-10. • Be careful not to lower E1-08 and E1-10 too much, as this reduces load tolerance at low speeds. |
| | | <ul style="list-style-type: none"> • Check the motor rated current. • Enter the motor rated current as indicated on the motor nameplate (E2-01). • Ensure the motor cooling system is operating normally. • Repair or replace the motor cooling system. |
| Digital Operator Display | | Fault Name |
| oH4 | oH4 | Motor Overheat Fault (PTC Input) |
| | | <ul style="list-style-type: none"> • The motor overheat signal to analog input terminal A1, A2, or A3 exceeded the fault detection level. • Detection requires that multi-function analog input H3-02, H3-06, or H3-10 = "E". |
| Cause | | Possible Solution |
| Motor has overheated. | | <ul style="list-style-type: none"> • Check the size of the load, the accel/decel times, and the cycle times. • Decrease the load. • Increase the acceleration and deceleration times (C1-01 through C1-08). |
| | | <ul style="list-style-type: none"> • Adjust the preset V/f pattern (E1-04 through E1-10). This will mainly involve reducing E1-08 and E1-10. Be careful not to lower E1-08 and E1-10 too much because this reduces load tolerance at low speeds. |
| | | <ul style="list-style-type: none"> • Check the motor rated current. • Enter the motor rated current as indicated on the motor nameplate (E2-01). • Ensure the motor cooling system is operating normally. • Repair or replace the motor cooling system. |

6.4 Fault Detection

| Digital Operator Display | | Fault Name |
|--|-----|---|
| oL1 | oL1 | Motor Overload |
| | | The electronic motor overload protection tripped. |
| Cause | | Possible Solution |
| Load is too heavy. | | Reduce the load. |
| Cycle times are too short during acceleration and deceleration. | | Increase the acceleration and deceleration times (C1-01 through C1-08). |
| A general purpose motor is driven below the rated speed with too high load. | | <ul style="list-style-type: none"> Reduce the load. Increase the speed. If the motor is supposed to operate at low speeds, either increase the motor capacity or use a motor specifically designed to operate in the desired speed range. |
| The output voltage is too high. | | Adjust the user-set V/f patterns (E1-04 through E1-10). Parameters E1-08 and E1-10 may need to be reduced. Be careful not to lower E1-08 and E1-10 too much because this reduces load tolerance at low speeds. |
| The wrong motor rated current is set to E2-01. | | <ul style="list-style-type: none"> Check the motor-rated current. Enter the value written on the motor nameplate to parameter E2-01. |
| The maximum output frequency is set incorrectly. | | <ul style="list-style-type: none"> Check the rated frequency indicated on the motor nameplate. Enter the rated frequency to E1-06 (Base Frequency). |
| Multiple motors are running off the same drive. | | Disable the motor protection function (L1-01 = 0) and install a thermal relay to each motor. |
| The electrical thermal protection characteristics and motor overload characteristics do not match. | | <ul style="list-style-type: none"> Check the motor characteristics. Correct the type of motor protection that has been selected (L1-01). Install an external thermal relay. |
| The electrical thermal relay is operating at the wrong level. | | <ul style="list-style-type: none"> Check the current rating listed on the motor nameplate. Check the value set for the motor rated current (E2-01). |
| Motor overheated by overexcitation operation. | | <ul style="list-style-type: none"> Overexcitation increases the motor losses and the motor temperature. If applied too long, motor damage can occur. Prevent excessive overexcitation operation or apply proper cooling to the motor. Reduce the excitation deceleration gain (n3-13). Set L3-04 (Stall Prevention during Deceleration) to a value other than 4. |
| Speed Search related parameters are set incorrectly. | | <ul style="list-style-type: none"> Check values set to Speed Search related parameters. Adjust the Speed Search current and Speed Search deceleration times (b3-02 and b3-03 respectively). After Auto-Tuning, enable Speed Estimation Speed Search (b3-24 = 1). |
| Output current fluctuation due to input phase loss | | Check the power supply for phase loss. |
| Digital Operator Display | | Fault Name |
| oL2 | oL2 | Drive Overload |
| | | The thermal sensor of the drive triggered overload protection. |
| Cause | | Possible Solution |
| Load is too heavy. | | Reduce the load. |
| Acceleration or deceleration times are too short. | | Increase the settings for the acceleration and deceleration times (C1-01 through C1-08). |
| The output voltage is too high. | | <ul style="list-style-type: none"> Adjust the preset V/f pattern (E1-04 through E1-10). This will mainly involve reducing E1-08 and E1-10. Be careful not to lower E1-08 and E1-10 excessively because this reduces load tolerance at low speeds. |
| Drive capacity is too small. | | Replace the drive with a larger model. |
| Overload occurred when operating at low speeds. | | <ul style="list-style-type: none"> Reduce the load when operating at low speeds. Replace the drive with a model that is one frame size larger. Lower the carrier frequency (C6-02). |
| Excessive torque compensation. | | Reduce the torque compensation gain (C4-01) until there is no speed loss but less current. |
| Speed Search related parameters are set incorrectly. | | <ul style="list-style-type: none"> Check the settings for all Speed Search related parameters. Adjust the current used during Speed Search and the Speed Search deceleration time (b3-03 and b3-02 respectively). After Auto-Tuning the drive, enable the Speed Estimation Speed Search (b3-24 = 1). |
| Output current fluctuation due to input phase loss | | Check the power supply for phase loss. |
| Digital Operator Display | | Fault Name |
| oL3 | oL3 | Overtorque Detection 1 |
| | | The current has exceeded the value set for torque detection (L6-02) for longer than the allowable time (L6-03). |
| Cause | | Possible Solution |
| Parameter settings are not appropriate for the load. | | Check the settings of parameters L6-02 and L6-03. |
| Fault on the machine side (e.g., machine is locked up). | | Check the status of the load. Remove the cause of the fault. |
| Digital Operator Display | | Fault Name |
| oL4 | oL4 | Overtorque Detection 2 |
| | | The current has exceeded the value set for Overtorque Detection 2 (L6-05) for longer than the allowable time (L6-06). |
| Cause | | Possible Solution |
| Parameter settings are not appropriate for the load. | | Check the settings of parameters L6-05 and L6-06. |
| Digital Operator Display | | Fault Name |
| oL5 | oL5 | Mechanical Weakening Detection 1 |
| | | Overtorque occurred, matching the conditions specified in L6-08. |
| Cause | | Possible Solution |
| Overtorque triggered mechanical weakening detection level set to L6-08. | | Check for the cause of mechanical weakening. |

| Digital Operator Display | | Fault Name |
|--|-----|--|
| oL7 | oL7 | High Slip Braking oL |
| | | The output frequency stayed constant for longer than the time set in n3-04 during High Slip Braking. |
| Cause | | Possible Solution |
| Excessive load inertia. | | <ul style="list-style-type: none"> Reduce deceleration times in parameters C1-02, C1-04, C1-06, and C1-08 for applications that do not use High Slip Braking. Use a braking resistor to shorten deceleration time. |
| Motor is driven by the load. | | |
| Something on the load side is restricting deceleration. | | |
| The overload time during High Slip Braking is too short. | | <ul style="list-style-type: none"> Increase parameter n3-04 (High-slip Braking Overload Time). Install a thermal relay and increase the setting of n3-04 to the maximum value. |
| Digital Operator Display | | Fault Name |
| oPr | oPr | External Digital Operator Connection Fault |
| | | <ul style="list-style-type: none"> The external operator has been disconnected from the drive. Note: An oPr fault will occur when all of the following conditions are true: <ul style="list-style-type: none"> Output is interrupted when the operator is disconnected (o2-06 = 1). The Run command is assigned to the operator (b1-02 = 0 and LOCAL has been selected). |
| Cause | | Possible Solution |
| External operator is not properly connected to the drive. | | <ul style="list-style-type: none"> Check the connection between the operator and the drive. Replace the cable if damaged. Turn off the drive input power and disconnect the operator. Next reconnect the operator and turn the drive input power back on. |
| Digital Operator Display | | Fault Name |
| oS | oS | Overspeed (for Control Mode with PG) |
| | | The motor speed feedback exceeded the F1-08 setting. |
| Cause | | Possible Solution |
| Overshoot is occurring. | | <ul style="list-style-type: none"> Increase the settings for C5-01 (Speed Control Proportional Gain 1) and reduce C5-02 (Speed Control Integral Time 1). If using a Closed Loop Vector mode, enable Feed Forward and perform Inertia Auto-Tuning. |
| Incorrect speed feedback scaling if terminal RP is used as speed feedback input in V/f control. | | <ul style="list-style-type: none"> Set H6-02 to the value of the speed feedback signal frequency when the motor runs at the maximum speed. Adjust the input signal using parameters H6-03 through H6-05. |
| Incorrect number of PG pulses has been set. | | <ul style="list-style-type: none"> Check and correct parameter F1-01. |
| Inappropriate parameter settings. | | Check the setting for the overspeed detection level and the overspeed detection time (F1-08 and F1-09). |
| Digital Operator Display | | Fault Name |
| ov | ov | Overvoltage |
| | | Voltage in the DC bus has exceeded the overvoltage detection level. <ul style="list-style-type: none"> For 200 V class: approximately 410 V For 400 V class: approximately 820 V |
| Cause | | Possible Solution |
| Deceleration time is too short and regenerative energy is flowing from the motor into the drive. | | <ul style="list-style-type: none"> Increase the deceleration time (C1-02, C1-04, C1-06, C1-08). Install a dynamic braking option. Enable stall prevention during deceleration (L3-04 = 1). Stall Prevention is enabled as the default setting. |
| Fast acceleration time causes the motor to overshoot the speed reference. | | <ul style="list-style-type: none"> Check if sudden drive acceleration triggers an overvoltage alarm. Increase the acceleration time. Use longer S-curve acceleration and deceleration times. Enable the Overvoltage Suppression function (L3-11 = 1). Lengthen the S-curve at acceleration end. |
| Excessive braking load. | | The braking torque was too high, causing regenerative energy to charge the DC bus. Reduce the braking torque, use a dynamic braking option, or lengthen decel time. |
| Surge voltage entering from the drive input power. | | Install a DC reactor. <ul style="list-style-type: none"> Note: Voltage surge can result from a thyristor convertor and phase advancing capacitor using the same input power supply. |
| Ground fault in the output circuit causing the DC bus capacitor to overcharge. | | <ul style="list-style-type: none"> Check the motor wiring for ground faults. Correct grounding shorts and turn the power back on. |
| Improper Setting of Speed Search related parameters. (Includes Speed Search after a momentary power loss and after a fault restart.) | | <ul style="list-style-type: none"> Check the settings for Speed Search-related parameters. Enable Speed Search restart function (b3-19 greater than or equal to 1 to 10). Adjust the current level during Speed Search and the deceleration time (b3-02 and b3-03 respectively). Perform Stationary Auto-Tuning for line-to-line resistance and then enable Speed Estimation Speed Search (b3-24 = 1). |
| Drive input power voltage is too high. | | <ul style="list-style-type: none"> Check the voltage. Lower drive input power voltage within the limits listed in the specifications. |
| The braking transistor is wired incorrectly. | | <ul style="list-style-type: none"> Check braking transistor wiring for errors. Properly rewire the braking resistor device. |
| PG cable is disconnected. | | Reconnect the cable. |
| PG cable wiring is wrong. | | Correct the wiring. |
| Noise interference along the PG encoder wiring. | | Separate the wiring from the source of the noise (often the output lines from the drive). |
| Drive fails to operate properly due to noise interference. | | <ul style="list-style-type: none"> Review the list of possible solutions provided for controlling noise. Review the section on handling noise interference and check the control circuit lines, main circuit lines, and ground wiring. |
| Load inertia has been set incorrectly. | | <ul style="list-style-type: none"> Check the load inertia settings when using KEB, overvoltage suppression, or Stall Prevention during deceleration. Adjust the load inertia ratio in L3-25 to better match the load. |
| Braking function is being used in OLV/PM. | | Connect a braking resistor. |
| Motor hunting occurs. | | <ul style="list-style-type: none"> Adjust the parameters that control hunting. Set the gain for Hunting Prevention (n1-02). Adjust the AFR time constant (n2-02 and n2-03). Adjust the speed feedback detection suppression gain for PM motors (n8-45) and the time constant for pull-in current (n8-47). |

6.4 Fault Detection

| Digital Operator Display | | Fault Name |
|--|------|--|
| PF | PF | Input Phase Loss |
| | | Drive input power has an open phase or has a large imbalance of voltage between phases. Detected when L8-05 = 1 (enabled). |
| Cause | | Possible Solution |
| There is phase loss in the drive input power. | | <ul style="list-style-type: none"> Check for wiring errors in the main circuit drive input power. Correct the wiring. |
| There is loose wiring in the drive input power terminals. | | <ul style="list-style-type: none"> Ensure the terminals are tightened properly. Apply the tightening torque as specified in this manual. Refer to Wire Gauges and Tightening Torque on page 66 |
| There is excessive fluctuation in the drive input power voltage. | | <ul style="list-style-type: none"> Check the voltage from the drive input power. Review the possible solutions for stabilizing the drive input power. |
| There is poor balance between voltage phases. | | <ul style="list-style-type: none"> Stabilize drive input power or disable phase loss detection. |
| The main circuit capacitors are worn. | | <ul style="list-style-type: none"> Check the maintenance time for the capacitors (U4-05). Replace the capacitor if U4-05 is greater than 90%. For instructions on replacing the capacitor, contact Yaskawa or your nearest sales representative. <p>Check for anything problems with the drive input power. If drive input power appears normal but the alarm continues to occur, replace either the control board or the entire drive. For instructions on replacing the control board, contact Yaskawa or your nearest sales representative.</p> |
| Digital Operator Display | | Fault Name |
| PGO | PGo | PG Disconnect (for any control modes using a PG option card) |
| | | No PG pulses are received for longer than the time set to F1-14. |
| Cause | | Possible Solution |
| PG cable is disconnected. | | Reconnect the cable. |
| PG cable wiring is wrong. | | Correct the wiring. |
| PG has no power. | | Check the power line to the PG encoder. |
| PG encoder brake is clamped shut. | | Ensure the motor brake releases properly. |
| Digital Operator Display | | Fault Name |
| PGoH | PGoH | PG Hardware Fault (detected when using a PG-X3 option card) |
| | | PG cable is not connected properly. |
| Cause | | Possible Solution |
| PG cable is disconnected. | | Reconnect the cable. |
| Digital Operator Display | | Fault Name |
| rF | rF | Braking Resistor Fault |
| | | The resistance of the braking resistor being used is too low. |
| Cause | | Possible Solution |
| The proper braking resistor option has not been installed. | | Select the braking resistor option so that fits to the drives braking transistor specification. |
| Regenerative converter, regenerative unit, or braking unit is being used. | | Disable the braking transistor protection selection (set L8-55 to 1). |
| Digital Operator Display | | Fault Name |
| rH | rH | Braking Resistor Overheat |
| | | Braking resistor protection was triggered. Fault detection is enabled when L8-01 = 1 (disabled as a default). |
| Cause | | Possible Solution |
| Deceleration time is too short and excessive regenerative energy is flowing back into the drive. | | <ul style="list-style-type: none"> Check the load, deceleration time, and speed. Reduce the load inertia. Increase the deceleration times (C1-02, C1-04, C1-06, C1-08, C1-09). Replace the dynamic braking option with a larger device that can handle the power that is discharged. |
| Excessive braking inertia. | | Recalculate braking load and braking power. Reduce the braking load by adjusting braking resistor settings. |
| The braking operation duty cycle is too high. | | Check the braking operation duty cycle. Braking resistor protection for ERF-type braking resistors (L8-01 = 1) allows a braking duty cycle of maximum 3%. |
| The proper braking resistor has not been installed. | | <ul style="list-style-type: none"> Check the specifications and conditions for the braking resistor device. Select the optimal braking resistor. |
| Note: The magnitude of the braking load trips the braking resistor overheat alarm, NOT the surface temperature. Using the braking resistor more frequently than it is rated for trips the alarm even when the braking resistor surface is not very hot. | | |
| Digital Operator Display | | Fault Name |
| rr | rr | Dynamic Braking Transistor |
| | | The built-in dynamic braking transistor failed. |
| Cause | | Possible Solution |
| The braking transistor is damaged. | | <ul style="list-style-type: none"> Cycle power to the drive and check if the fault reoccurs. Refer to Diagnosing and Resetting Faults on page 334. Replace either the control board or the entire drive. For instructions on replacing the control board, contact Yaskawa or your nearest sales representative. |
| The control circuit is damaged. | | |
| Digital Operator Display | | Fault Name |
| SEr | SEr | Too Many Speed Search Restarts |
| | | The number of Speed Search restarts exceeded the number set to b3-19. |
| Cause | | Possible Solution |
| Speed Search parameters are set to the wrong values. | | <ul style="list-style-type: none"> Reduce the detection compensation gain during Speed Search (b3-10). Increase the current level when attempting Speed Search (b3-17). Increase the detection time during Speed Search (b3-18). Repeat Auto-Tuning. |
| The motor is coasting in the opposite direction of the Run command. | | Enable Bi-Directional Speed Search (b3-14 = 1). |

| Digital Operator Display | | Fault Name |
|---|-----|---|
| STo | STo | Motor Pull Out or Step Out Detection |
| | | Motor pull out or step out has occurred. Motor has exceeded its pull-out torque. |
| Cause | | Possible Solution |
| The wrong motor code is set (Yaskawa motors only). | | <ul style="list-style-type: none"> Enter the correct motor code for the PM being used into E5-01. For special-purpose motors, enter the correct data to all E5 parameters according to the test report provided for the motor. |
| Load is too heavy. | | <ul style="list-style-type: none"> Increase the load inertia for PM motor (n8-55). Increase the pull-in current during accel/decel (n8-51). Reduce the load. Increase the motor or drive capacity. |
| Load inertia is too heavy. | | Increase the load inertia for PM motor (n8-55). |
| Acceleration and deceleration times are too short. | | <ul style="list-style-type: none"> Increase the acceleration and deceleration times (C1-01 through C1-08). Increase the S-curve acceleration and deceleration times (C2-01). |
| Speed response is too slow. | | Increase the load inertia for PM motor (n8-55). |
| Digital Operator Display | | Fault Name |
| SvE | SvE | Zero Servo Fault |
| | | Position deviation during zero servo. |
| Cause | | Possible Solution |
| Torque limit is set too low. | | Set the torque limit to an appropriate value using parameters L7-01 to L7-04. |
| Excessive load torque. | | Reduce the amount of load torque. |
| Noise interference along PG encoder wiring. | | Check the PG signal for noise interference. |
| Digital Operator Display | | Fault Name |
| UL3 | UL3 | Undertorque Detection 1 |
| | | The current has fallen below the minimum value set for torque detection (L6-02) for longer than the allowable time (L6-03). |
| Cause | | Possible Solution |
| Parameter settings are not appropriate for the load. | | Check the settings of parameters L6-02 and L6-03. |
| There is a fault on the machine side. | | Check the load for any problems. |
| Digital Operator Display | | Fault Name |
| UL4 | UL4 | Undertorque Detection 2 |
| | | The current has fallen below the minimum value set for torque detection (L6-05) for longer than the allowable time (L6-06). |
| Cause | | Possible Solution |
| Parameter settings are not appropriate for the load. | | Check the settings of parameters L6-05 and L6-06. |
| There is a fault on the machine side. | | Check the load for any problems. |
| Digital Operator Display | | Fault Name |
| UL5 | UL5 | Mechanical Weakening Detection 2 |
| | | The operation conditions matched the conditions set to L6-08. |
| Cause | | Possible Solution |
| Undertorque was detected and matched the conditions for mechanical loss detection set to L6-08. | | Check the load side for any problems. |
| Digital Operator Display | | Fault Name |
| Uv1 | Uv1 | DC Bus Undervoltage |
| | | One of the following conditions occurred while the drive was stopped: <ul style="list-style-type: none"> Voltage in the DC bus fell below the undervoltage detection level (L2-05) For 200 V class: approximately 190 V For 400 V class: approximately 380 V (350 V when E1-01 is less than 400) The fault is output only if L2-01 = 0 or L2-01 = 1 and the DC bus voltage has fallen below the level set to L2-05 for longer than the time set to L2-02. |
| Cause | | Possible Solution |
| Input power phase loss. | | <ul style="list-style-type: none"> The main circuit drive input power is wired incorrectly. Correct the wiring. |
| One of the drive input power wiring terminals is loose. | | <ul style="list-style-type: none"> Ensure there are no loose terminals. Apply the tightening torque specified in this manual to fasten the terminals. <i>Refer to Wire Gauges and Tightening Torque on page 66</i> |
| There is a problem with the voltage from the drive input power. | | <ul style="list-style-type: none"> Check the voltage. Correct the voltage to be within the range listed in drive input power specifications. If there is no problem with the power supply to the main circuit, check for problems with the main circuit magnetic contactor. |
| The power has been interrupted. | | Correct the drive input power. |
| The main circuit capacitors are worn. | | <ul style="list-style-type: none"> Check the maintenance time for the capacitors (U4-05). Replace either the control board or the entire drive if U4-05 exceeds 90%. For instructions on replacing the control board, contact Yaskawa or your nearest sales representative. |
| The relay or contactor on the soft-charge bypass circuit is damaged. | | <ul style="list-style-type: none"> Cycle power to the drive and see if the fault reoccurs. If the problem continues, replace either the control board or the entire drive. For instructions on replacing the control board, contact Yaskawa or your nearest sales representative. Check monitor U4-06 for the performance life of the soft-charge bypass. Replace either the control board or the entire drive if U4-06 exceeds 90%. For instructions on replacing the control board, contact Yaskawa or your nearest sales representative. |

6.4 Fault Detection

| Digital Operator Display | | Fault Name |
|--|-----|---|
| Uv2 | Uv2 | Control Power Supply Voltage Fault |
| | | Voltage is too low for the control drive input power. |
| Cause | | Possible Solution |
| For models CIMR-A□2A0004 through 2A0056 and CIMR-A□4A0002 through 4A0031: L2-02 was changed from its default value without installing a Momentary Power Loss Ride-Thru unit. | | Correct the setting to L2-02 or install an optional Momentary Power Loss Ride-Thru unit. |
| Control power supply wiring is damaged. | | <ul style="list-style-type: none"> • Cycle power to the drive. Check if the fault reoccurs. • If the problem continues, replace the control board, the entire drive, or the control power supply. |
| Internal circuitry is damaged. | | <ul style="list-style-type: none"> • Cycle power to the drive. Check if the fault reoccurs. • If the problem continues, replace either the control board or the entire drive. For instructions on replacing the control board, contact Yaskawa or your nearest sales representative. |
| Digital Operator Display | | Fault Name |
| Uv3 | Uv3 | Undervoltage 3 (Soft-Charge Bypass Circuit Fault) |
| | | The soft-charge bypass circuit has failed. |
| Cause | | Possible Solution |
| The relay or contactor on the soft-charge bypass circuit is damaged. | | <ul style="list-style-type: none"> • Cycle power to the drive and see if the fault reoccurs. • If the problem continues, replace either the control board or the entire drive. For instructions on replacing the control board, contact Yaskawa or your nearest sales representative. • Check monitor U4-06 for the performance life of the soft-charge bypass. • Replace either the control board or the entire drive if U4-06 exceeds 90%. For instructions on replacing the control board, contact Yaskawa or your nearest sales representative. |
| Digital Operator Display | | Fault Name |
| voF | voF | Output Voltage Detection Fault |
| | | Problem detected with the voltage on the output side of the drive. |
| Cause | | Possible Solution |
| Hardware is damaged. | | Replace either the control board or the entire drive. For instructions on replacing the control board, contact Yaskawa or your nearest sales representative. |

<1> Displayed as [PF00] or [PF20] when occurring at drive power up. When one of the faults occurs after successfully starting the drive, the display will show [PF01] or [PF21].

6.5 Alarm Detection

◆ Alarm Codes, Causes, and Possible Solutions

Alarms are drive protection functions that do not necessarily cause the drive to stop. Once the cause of an alarm is removed, the drive will return to the same status it was before the alarm occurred.

When an alarm has been triggered, the ALM light on the digital operator display blinks and the alarm code display flashes. If a multi-function output is set for an alarm (H2-□□ = 10), that output terminal will be triggered.

Note: If a multi-function output is set to close when an alarm occurs (H2-□□ = 10), it will also close when maintenance periods are reached, triggering alarms LT-1 through LT-4 (triggered only if H2-□□ = 2F).

Table 6.16 Alarm Codes, Causes, and Possible Solutions

| Digital Operator Display | | Minor Fault Name |
|--|------|---|
| <i>AEr</i> | AEr | Communication Option Station Number Setting Error (CC-Link, CANopen, MECHATROLINK-II) |
| Cause | | Possible Solutions |
| Station number is set outside the possible setting range. | | <ul style="list-style-type: none"> Set parameter F6-10 to the proper value if a CC-Link option card is used. Set parameter F6-35 to the proper value if a CANopen option card is used. |
| Digital Operator Display | | Minor Fault Name |
| <i>bb</i> | bb | Baseblock |
| Cause | | Possible Solutions |
| External baseblock signal was entered via one of the multi-function input terminals (S1 to S8). | | Check external sequence and baseblock signal input timing. |
| Digital Operator Display | | Minor Fault Name |
| <i>boL</i> | boL | Braking Transistor Overload Fault |
| Cause | | Possible Solutions |
| The proper braking resistor has not been installed. | | Select the optimal braking resistor. |
| Digital Operator Display | | Minor Fault Name |
| <i>bUS</i> | bUS | Option Communication Error |
| Cause | | Possible Solutions |
| Connection is broken or master controller stopped communicating. | | <ul style="list-style-type: none"> Check for faulty wiring. Correct the wiring. Check for disconnected cables and short circuits. Repair as needed. |
| Option card is damaged. | | If there are no problems with the wiring and the fault continues to occur, replace the option card. |
| The option card is not properly connected to the drive. | | <ul style="list-style-type: none"> The connector pins on the option card are not properly lined up with the connector pins on the drive. Reinstall the option card. |
| A data error occurred due to noise. | | <ul style="list-style-type: none"> Check options available to minimize the effects of noise. Take steps to counteract noise in the control circuit wiring, main circuit lines and ground wiring. Try to reduce noise on the controller side. Use surge absorbers on magnetic contactors or other equipment causing the disturbance. Use recommended cables or some other type of shielded line. Ground the shield to the controller side or on the input power side. All wiring for comm. devices should be separated from drive input power lines. Install an EMC noise filter to the drive input power. |
| Digital Operator Display | | Minor Fault Name |
| <i>CALL</i> | CALL | Serial Communication Transmission Error |
| Cause | | Possible Solutions |
| Communications wiring is faulty, there is a short circuit, or something is not connected properly. | | <ul style="list-style-type: none"> Check for wiring errors. Correct the wiring. Check for disconnected cables and short circuits. Repair as needed. |
| Programming error on the master side. | | Check communications at start-up and correct programming errors. |
| Communications circuitry is damaged. | | <ul style="list-style-type: none"> Perform a self-diagnostics check. If the problem continues, replace either the control board or the entire drive. For instructions on replacing the control board, contact Yaskawa or your nearest sales representative. |
| Termination resistor setting is incorrect. | | A termination resistor must be installed at both ends of a communication line. Slave drives must have the internal termination resistor switch set correctly. Place DIP switch S2 to the ON position. |

6.5 Alarm Detection

| Digital Operator Display | | Minor Fault Name |
|---|------|---|
| CE | CE | MEMOBUS/Modbus Communication Error |
| Cause | | Possible Solutions |
| A data error occurred due to noise. | | <ul style="list-style-type: none"> Check options available to minimize the effects of noise. Take steps to counteract noise in the control circuit wiring, main circuit lines, and ground wiring. Reduce noise on the controller side. Use surge absorbers for the magnetic contactors or other components that may be causing the disturbance. Use only recommended shielded line. Ground the shield on the controller side or on the drive input power side. Separate all wiring for comm. devices from drive input power lines. Install an EMC noise filter to the drive input power supply. |
| Communication protocol is incompatible. | | <ul style="list-style-type: none"> Check the H5 parameter settings as well as the protocol setting in the controller. Ensure settings are compatible. |
| The CE detection time (H5-09) is set shorter than the time required for a communication cycle to take place. | | <ul style="list-style-type: none"> Check the PLC. Change the software settings in the PLC. Set a longer CE detection time (H5-09). |
| Incompatible PLC software settings or there is a hardware problem. | | <ul style="list-style-type: none"> Check the PLC. Remove the cause of the error on the controller side. |
| Communications cable is disconnected or damaged. | | <ul style="list-style-type: none"> Check the connector to make sure the cable has a signal. Replace the communications cable. |
| Digital Operator Display | | Minor Fault Name |
| CrST | CrST | Cannot Reset |
| Cause | | Possible Solutions |
| A fault reset command was entered while the Run command was still present. | | <ul style="list-style-type: none"> Ensure that a Run command cannot be entered from the external terminals or option card during fault reset. Turn off the Run command. |
| Digital Operator Display | | Minor Fault Name |
| dEv | dEv | Speed Deviation (when using a PG option card) |
| Cause | | Possible Solutions |
| Load is too heavy | | Reduce the load. |
| Acceleration and deceleration times are set too short. | | Increase the acceleration and deceleration times (C1-01 through C1-08). |
| The load is locked up. | | Check the machine. |
| Parameter settings are inappropriate. | | Check the settings of parameters F1-10 and F1-11. |
| Incorrect speed feedback scaling if terminal RP is used as speed feedback input in V/f Control. | | <ul style="list-style-type: none"> Set H6-02 to value of the speed feedback signal frequency when the motor runs at the maximum speed. Adjust the speed feedback signal using parameters H6-03 through H6-05. Make sure the speed feedback signal frequency does not exceed the maximum input frequency of terminal RP. |
| The motor brake engaged. | | Ensure the brake releases properly. |
| Digital Operator Display | | Minor Fault Name |
| dnE | dnE | Drive Disabled |
| Cause | | Possible Solutions |
| "Drive Enable" is set to a multi-function contact input (H1-□□ = 6A) and that signal was switched off. | | Check the operation sequence. |
| Digital Operator Display | | Minor Fault Name |
| EF | EF | Forward/Reverse Run Command Input Error |
| Cause | | Possible Solutions |
| Sequence error | | Check the forward and reverse command sequence and correct the problem. Note: When minor fault EF detected, motor ramps to stop. |
| Digital Operator Display | | Minor Fault Name |
| EF0 | EF0 | Option Card External Fault |
| Cause | | Possible Solutions |
| An external fault was received from the PLC with F6-03 = 3 (causing the drive to continue running when an external fault occurs). | | <ul style="list-style-type: none"> Remove the cause of the external fault. Remove the external fault input from the PLC. |
| There is a problem with the PLC program. | | Check the PLC program and correct problems. |
| Digital Operator Display | | Minor Fault Name |
| EF1 | EF1 | External fault (input terminal S1) |
| Cause | | Possible Solutions |
| External fault at multi-function input terminal S1. | | |
| EF2 | EF2 | External fault (input terminal S2) |
| Cause | | Possible Solutions |
| External fault at multi-function input terminal S2. | | |
| EF3 | EF3 | External fault (input terminal S3) |
| Cause | | Possible Solutions |
| External fault at multi-function input terminal S3. | | |
| EF4 | EF4 | External fault (input terminal S4) |
| Cause | | Possible Solutions |
| External fault at multi-function input terminal S4. | | |
| EF5 | EF5 | External fault (input terminal S5) |
| Cause | | Possible Solutions |
| External fault at multi-function input terminal S5. | | |
| EF6 | EF6 | External fault (input terminal S6) |
| Cause | | Possible Solutions |
| External fault at multi-function input terminal S6. | | |

| | | |
|---|------|---|
| <i>EF7</i> | EF7 | External fault (input terminal S7) |
| | | External fault at multi-function input terminal S7. |
| <i>EF8</i> | EF8 | External fault (input terminal S8) |
| | | External fault at multi-function input terminal S8. |
| Cause | | Possible Solutions |
| An external device has tripped an alarm function. | | Remove the cause of the external fault and reset the multi-function input value. |
| Wiring is incorrect. | | <ul style="list-style-type: none"> • Ensure the signal lines have been connected properly to the terminals assigned for external fault detection (H1-□□ = 20 to 2F). • Reconnect the signal line. |
| Multi-function contact inputs are set incorrectly. | | <ul style="list-style-type: none"> • Check if the unused terminals have been set for H1-□□ = 20 to 2F (External Fault). • Change the terminal settings. |
| Digital Operator Display | | Minor Fault Name |
| <i>FbH</i> | FbH | Excessive PID Feedback |
| | | The PID feedback input is higher than the level set in b5-36 for longer than the time set in b5-37, and b5-12 is set to 1 or 4. |
| Cause | | Possible Solutions |
| Parameters settings for b5-36 and b5-37 are incorrect. | | Check parameters b5-36 and b5-37. |
| PID feedback wiring is faulty. | | Correct the wiring. |
| Feedback sensor has malfunctioned. | | Check the sensor and replace it if damaged. |
| Feedback input circuit is damaged. | | Replace either the control board or the entire drive. For instructions on replacing the control board, contact Yaskawa or your nearest sales representative. |
| Digital Operator Display | | Minor Fault Name |
| <i>FbL</i> | FbL | PID Feedback Loss |
| | | The PID feedback input is lower than the level set in b5-13 for longer than the time set in b5-14, and b5-12 is set to 1 or 4. |
| Cause | | Possible Solutions |
| Parameters settings for b5-13 and b5-14 are incorrect. | | Check parameters b5-13 and b5-14. |
| PID feedback wiring is faulty. | | Correct the wiring. |
| Feedback sensor has malfunctioned. | | Check the sensor and replace it if damaged. |
| Feedback input circuit is damaged. | | Replace either the control board or the entire drive. For instructions on replacing the control board, contact Yaskawa or your nearest sales representative. |
| Digital Operator Display | | Minor Fault Name |
| <i>Hbb</i> | Hbb | Safe Disable Signal Input |
| | | Both Safe Disable Input channels are open. |
| Cause | | Possible Solutions |
| Both Safe Disable Inputs H1 and H2 are open. | | <ul style="list-style-type: none"> • Check signal status at the input terminals H1 and H2. • Check the Sink/Source Selection for the digital inputs. • If the Safe Disable function is not utilized, check if the terminals H1-HC, and H2-HC are linked. |
| Internally, both Safe Disable channels are broken. | | Replace either the control board or the entire drive. For instructions on replacing the control board, contact Yaskawa or your nearest sales representative. |
| Digital Operator Display | | Minor Fault Name |
| <i>HbbF</i> | HbbF | Safe Disable Signal Input |
| | | One Safe Disable channel is open while the other one is closed. |
| Cause | | Possible Solutions |
| The signals to the Safe Disable inputs are wrong or the wiring is incorrect. | | Check signal status at the input terminals H1 and H2. If the Safe Disable function is not utilized, the terminals H1-HC, and H2-HC must be linked. |
| One of the Safe Disable channels is faulty. | | Replace either the control board or the entire drive. For instructions on replacing the control board, contact Yaskawa or your nearest sales representative. |
| Digital Operator Display | | Minor Fault Name |
| <i>HcA</i> | HcA | Current Alarm |
| | | Drive current exceeded overcurrent warning level (150% of the rated current). |
| Cause | | Possible Solutions |
| Load is too heavy. | | Either reduce the load for applications with repetitive operation (repetitive stops and starts, etc.), or replace the drive. |
| Acceleration and deceleration times are too short. | | <ul style="list-style-type: none"> • Calculate the torque required during acceleration and for the inertia moment. • If the torque level is not right for the load, take the following steps: <ul style="list-style-type: none"> • Increase the acceleration and deceleration times (C1-01 through C1-08). • Increase the capacity of the drive. |
| A special-purpose motor is being used, or the drive is attempting to run a motor greater than the maximum allowable capacity. | | <ul style="list-style-type: none"> • Check the motor capacity. • Use a motor appropriate for the drive. Ensure the motor is within the allowable capacity range. |
| The current level increased due to Speed Search after a momentary power loss or while attempting to perform a fault restart. | | The alarm will appear only briefly. There is no need to take action to prevent the alarm from occurring in such instances. |
| Digital Operator Display | | Minor Fault Name |
| <i>LT-1</i> | LT-1 | Cooling Fan Maintenance Time |
| | | The cooling fan has reached its expected maintenance period and may need to be replaced. Note: An alarm output (H2-□□ = 10) will only be triggered if H2-□□ = 2F. |
| Cause | | Possible Solutions |
| The cooling fan has reached 90% of its expected performance life. | | Replace the cooling fan and reset the Maintenance Monitor by setting o4-03 to 0. |

6.5 Alarm Detection

| Digital Operator Display | | Minor Fault Name |
|--|------|---|
| LT-2 | LT-2 | Capacitor Maintenance Time |
| | | The main circuit and control circuit capacitors are nearing the end of their expected performance life. Note: An alarm output (H2-□□ = 10) will only be triggered if H2-□□ = 2F. |
| Cause | | Possible Solutions |
| The main circuit and control circuit capacitors have reached 90% of their expected performance life. | | Replace either the control board or the entire drive. For instructions on replacing the control board, contact Yaskawa or your nearest sales representative. |
| Digital Operator Display | | Minor Fault Name |
| LT-3 | LT-3 | Soft Charge Bypass Relay Maintenance Time |
| | | The DC bus soft charge relay is nearing the end of its expected performance life. Note: An alarm output (H2-□□ = 10) will only be triggered if H2-□□ = 2F. |
| Cause | | Possible Solutions |
| The DC bus soft charge relay has reached 90% of their expected performance life. | | Replace either the control board or the entire drive. For instructions on replacing the control board, contact Yaskawa or your nearest sales representative. |
| Digital Operator Display | | Minor Fault Name |
| LT-4 | LT-4 | IGBT Maintenance Time (50%) |
| | | IGBTs have reached 50% of their expected performance life. Note: An alarm output (H2-□□ = 10) will only be triggered if H2-□□ = 2F. |
| Cause | | Possible Solutions |
| IGBTs have reached 50% of their expected performance life. | | Check the load, carrier frequency, and output frequency. |
| Digital Operator Display | | Minor Fault Name |
| oH | oH | Heatsink Overheat |
| | | The temperature of the heatsink exceeded the overheat pre-alarm level set to L8-02 (90-100°C). Default value for L8-02 is determined by drive capacity (o2-04). |
| Cause | | Possible Solutions |
| Surrounding temperature is too high | | <ul style="list-style-type: none"> Check the surrounding temperature. Improve the air circulation within the enclosure panel. Install a fan or air conditioner to cool surrounding area. Remove anything near drive that may cause extra heat. |
| Internal cooling fan has stopped. | | <ul style="list-style-type: none"> Replace the cooling fan. <i>Refer to Cooling Fan Component Names on page 352.</i> After replacing the drive, reset the cooling fan maintenance parameter to (o4-03 = "0"). |
| Airflow around the drive is restricted. | | <ul style="list-style-type: none"> Provide proper installation space around the drive as indicated in the manual. <i>Refer to Installation Orientation and Spacing on page 40.</i> Allow for the specified space and ensure that there is sufficient circulation around the control panel. Check for dust or foreign materials clogging cooling fan. Clear debris caught in the fan that restricts air circulation. |
| Digital Operator Display | | Minor Fault Name |
| oH2 | oH2 | Drive Overheat Warning |
| | | "Drive Overheat Warning" was input to a multi-function input terminal, S1 through S8 (H1-□□ = B) |
| Cause | | Possible Solutions |
| An external device triggered an overheat warning in the drive. | | <ul style="list-style-type: none"> Search for the device that tripped the overheat warning. Solving the problem will clear the warning. |
| Digital Operator Display | | Minor Fault Name |
| oH3 | oH3 | Motor Overheat |
| | | The motor overheat signal entered to a multi-function analog input terminal exceeded the alarm level (H3-02, H3-06 or H3-10 = E). |
| Cause | | Possible Solutions |
| Motor thermostat wiring is fault (PTC input). | | Repair the PTC input wiring. |
| There is a fault on the machine side (e.g., the machine is locked up). | | <ul style="list-style-type: none"> Check the status of the machine. Remove the cause of the fault. |
| Motor has overheated. | | <ul style="list-style-type: none"> Check the load size, accel/decel times, and cycle times. Decrease the load. Increase accel and decel times (C1-01 to C1-08). Adjust the preset V/f pattern (E1-04 through E1-10). This will mainly involve reducing E1-08 and E1-10. Note: Do not lower E1-08 and E1-10 excessively, because this reduces load tolerance at low speeds. Check the motor-rated current. Enter motor-rated current on motor nameplate (E2-01). Ensure the motor cooling system is operating normally. Repair or replace the motor cooling system. |
| Digital Operator Display | | Minor Fault Name |
| oL3 | oL3 | Overtorque 1 |
| | | Drive output current (or torque in OLV, CLV, AOLV/PM, CLV/PM) was greater than L6-02 for longer than the time set in L6-03. |
| Cause | | Possible Solutions |
| Inappropriate parameter settings. | | Check parameters L6-02 and L6-03. |
| There is a fault on the machine side (e.g., the machine is locked up). | | <ul style="list-style-type: none"> Check the status of the machine. Remove the cause of the fault. |
| Digital Operator Display | | Minor Fault Name |
| oL4 | oL4 | Overtorque 2 |
| | | Drive output current (or torque in OLV, CLV, AOLV/PM, CLV/PM) was greater than L6-05 for longer than the time set in L6-06. |
| Cause | | Possible Solutions |
| Parameter settings are not appropriate. | | Check parameters L6-05 and L6-06. |
| There is a fault on the machine side (e.g., the machine is locked up). | | <ul style="list-style-type: none"> Check the status of the machine being used. Remove the cause of the fault. |

| Digital Operator Display | | Minor Fault Name |
|--|------|---|
| oL5 | oL5 | Mechanical Weakening Detection 1 Overtorque occurred, matching the conditions specified in L6-08. |
| Cause | | Possible Solutions |
| Overtorque occurred, triggering the mechanical weakening level set to L6-08. | | <ul style="list-style-type: none"> Check for the cause of mechanical weakening. |
| Digital Operator Display | | Minor Fault Name |
| oS | oS | Overspeed (for Control Mode with PG) The motor speed feedback exceeded the F1-08 setting. |
| Cause | | Possible Solutions |
| Overshoot is occurring. | | <ul style="list-style-type: none"> Increase the settings for C5-01 (Speed Control Proportional Gain 1) and reduce C5-02 (Speed Control Integral Time 1). If using a Closed Loop Vector mode enable Feed Forward Control and perform Inertia Auto-Tuning. |
| Incorrect speed feedback scaling if terminal RP is used as speed feedback input in V/f control | | <ul style="list-style-type: none"> Set H6-02 to value of the speed feedback signal frequency when the motor runs at the maximum speed. Adjust the input signal using parameters H6-03 through H6-05. |
| Incorrect PG pulse number has been set | | <ul style="list-style-type: none"> Check and correct parameter F1-01. |
| Inappropriate parameter settings. | | Check the setting for the overspeed detection level and the overspeed detection time (F1-08 and F1-09). |
| Digital Operator Display | | Minor Fault Name |
| ov | ov | DC Bus Overvoltage The DC bus voltage exceeded the trip point. For 200 V class: approximately 410 V For 400 V class: approximately 820 V |
| Cause | | Possible Solutions |
| Surge voltage present in the drive input power. | | <ul style="list-style-type: none"> Install a DC reactor or an AC reactor. Voltage surge can result from a thyristor convertor and a phase advancing capacitor operating on the same drive input power system. |
| The motor is short-circuited. | | <ul style="list-style-type: none"> Check the motor power cable, relay terminals and motor terminal box for short circuits. Correct grounding shorts and turn the power back on. |
| Ground current has over-charged the main circuit capacitors via the drive input power. | | |
| Noise interference causes the drive to operate incorrectly. | | <ul style="list-style-type: none"> Review possible solutions for handling noise interference. Review section on handling noise interference and check control circuit lines, main circuit lines and ground wiring. If the magnetic contactor is identified as a source of noise, install a surge protector to the MC coil. |
| Set number of fault restarts (L5-01) to a value other than 0. | | |
| PG cable is disconnected. | | Reconnect the cable. |
| PG cable wiring is wrong. | | Correct the wiring. |
| Noise interference along PG encoder wiring. | | Separate PG wiring from the source of the noise (often output wiring from the drive). |
| Digital Operator Display | | Minor Fault Name |
| PASS | PASS | MEMOBUS/Modbus Comm. Test Mode Complete |
| Cause | | Possible Solutions |
| MEMOBUS/Modbus test has finished normally. | | This verifies that the test was successful. |
| Digital Operator Display | | Minor Fault Name |
| PGo | PGo | PG Disconnect (for Control Mode with PG) Detected when no PG pulses are received for a time longer than setting in F1-14. |
| Cause | | Possible Solutions |
| PG cable is disconnected. | | Reconnect the cable. |
| PG cable wiring is wrong. | | Correct the wiring. |
| PG encoder does not have enough power. | | Make sure the correct power supply is properly connected to the PG encoder. |
| Brake is holding the PG. | | Ensure the brake releases properly |
| Digital Operator Display | | Minor Fault Name |
| PGoH | PGoH | PG Hardware Fault (detected when using a PG-X3 option card) PG cable has become disconnected. |
| Cause | | Possible Solutions |
| PG cable is disconnected. | | Reconnect the cable. |
| Digital Operator Display | | Minor Fault Name |
| rUn | rUn | Motor Switch during Run A command to switch motors was entered during run. |
| Cause | | Possible Solutions |
| A motor switch command was entered during run. | | Change the operation pattern so that the motor switch command is entered while the drive is stopped. |
| Digital Operator Display | | Minor Fault Name |
| SE | SE | MEMOBUS/Modbus Communication Test Mode Error Note: This alarm will not trigger a multi-function output terminal that is set for alarm output (H2-□□ = 10). |
| Cause | | Possible Solutions |
| A digital input set to 67H (MEMOBUS/Modbus test) was closed while the drive was running. | | Stop the drive and run the test again. |
| Digital Operator Display | | Minor Fault Name |
| TrPC | TrPC | IGBT Maintenance Time (90%) IGBTs have reached 90% of their expected performance life. |
| Cause | | Possible Solutions |
| IGBTs have reached 90% of their expected performance life. | | Replace the drive. |

6.5 Alarm Detection

| Digital Operator Display | | Minor Fault Name |
|---|-----|--|
| UL3 | UL3 | Undertorque Detection 1 |
| | | Drive output current (or torque in OLV, CLV, AOLV/PM, CLV/PM) less than L6-02 for longer than L6-03 time. |
| Cause | | Possible Solutions |
| Inappropriate parameter settings. | | Check parameters L6-02 and L6-03. |
| Load has dropped or decreased significantly. | | Check for broken parts in the transmission system. |
| Digital Operator Display | | Minor Fault Name |
| UL4 | UL4 | Undertorque Detection 2 |
| | | Drive output current (or torque in OLV, CLV, AOLV/PM, CLV/PM) less than L6-05 for longer than L6-06 time. |
| Cause | | Possible Solutions |
| Inappropriate parameter settings. | | Check parameters L6-05 and L6-06. |
| The load has dropped or decreased significantly. | | Check for broken parts in the transmission system. |
| Digital Operator Display | | Minor Fault Name |
| Uv | Uv | Undervoltage |
| | | One of the following conditions was true when the drive was stopped and a Run command was entered: <ul style="list-style-type: none"> DC bus voltage dropped below the level specified in L2-05. Contactors to suppress inrush current in the drive were opened. Low voltage in the control drive input power. This alarm outputs only if L2-01 is not 0 and DC bus voltage is under L2-05. |
| Cause | | Possible Solutions |
| Phase loss in the drive input power. | | Check for wiring errors in the main circuit drive input power. Correct the wiring. |
| Loose wiring in the drive input power terminals. | | <ul style="list-style-type: none"> Ensure the terminals have been properly tightened. Apply the tightening torque to the terminals as specified. <i>Refer to Wire Gauges and Tightening Torque on page 66</i> |
| There is a problem with the drive input power voltage. | | <ul style="list-style-type: none"> Check the voltage. Lower the voltage of the drive input power so that it is within the limits listed in the specifications. |
| Drive internal circuitry is worn. | | <ul style="list-style-type: none"> Check the maintenance time for the capacitors (U4-05). Replace either the control board or the entire drive if U4-05 exceeds 90%. For instructions on replacing the control board, contact Yaskawa or your nearest sales representative. |
| The drive input power transformer is too small and voltage drops when the power is switched on. | | <ul style="list-style-type: none"> Check for an alarm when the magnetic contactor, line breaker, and leakage breaker are closed. Check the capacity of the drive input power transformer. |
| Air inside the drive is too hot. | | <ul style="list-style-type: none"> Check the temperature inside the drive. |
| The CHARGE light is broken or disconnected. | | Replace either the control board or the entire drive. For instructions on replacing the control board, contact Yaskawa or your nearest sales representative. |
| Digital Operator Display | | Minor Fault Name |
| voF | voF | Output Voltage Detection Fault |
| | | There is a problem with the output voltage. |
| Cause | | Possible Solutions |
| Hardware is damaged. | | Replace either the control board or the entire drive. For instructions on replacing the control board, contact Yaskawa or your nearest sales representative. |

6.6 Operator Programming Errors

◆ oPE Codes, Causes, and Possible Solutions

An Operator Programming Error (oPE) occurs when a contradictory parameter is set or an individual parameter is set to an inappropriate value.

The drive will not operate until the parameter or parameters causing the problem are set correctly. An oPE, however, does not trigger an alarm or fault output. If an oPE occurs, investigate the cause and *Refer to oPE Codes, Causes, and Possible Solutions on page 325* for the appropriate action. When an oPE appears on the operator display, press the ENTER button to view U1-18 and see the parameter that is causing the oPE error (U1-18).

Table 6.17 oPE Codes, Causes, and Possible Solutions

| Digital Operator Display | | Error Name |
|--|-------|--|
| | oPE01 | Drive Capacity Setting Fault |
| Cause | | Possible Solutions |
| The drive model selection (o2-04) and the actual capacity of the drive are not the same. | | Correct the value set to o2-04. |
| Digital Operator Display | | Error Name |
| | oPE02 | Parameter Range Setting Error |
| Cause | | Possible Solutions |
| Parameters were set outside the possible setting range. | | Set parameters to the proper values. |
| Note: When multiple errors occur at the same time, other errors are given precedence over oPE02. | | |
| Digital Operator Display | | Error Name |
| | oPE03 | Multi-Function Input Selection Error |
| Cause | | Possible Solutions |
| <ul style="list-style-type: none"> The same function is assigned to two multi-function inputs. Excludes "Not used" and "External Fault." | | <ul style="list-style-type: none"> Ensure all multi-function inputs are assigned to different functions. Re-enter the multi-function settings to ensure this does not occur. |
| The Up command was set but the Down command was not, or vice versa (settings 10 vs. 11). | | Correctly set functions that need to be enabled in combination with other functions. |
| The Up 2 command was set but the Down 2 command was not, or vice versa (settings 75 vs. 76). | | |
| <ul style="list-style-type: none"> Run/Stop command for a 2-wire sequence was set (H1-□□ = 42), but Forward/Reverse command (H1-□□ = 43) was not. "Drive Enable" is set to multi-function input S1 or S2 (H1-01 = 6A or H1-02 = 6A). | | Correctly set functions that need to be enabled in combination with other functions. |
| <ul style="list-style-type: none"> Two of the following functions are set at the same time: <ul style="list-style-type: none"> Up/Down Command (10 vs. 11) Up 2/Down 2 Command (75 vs. 76) Hold Accel/Decel Stop (A) Analog Frequency Reference Sample/Hold (1E) Offset Frequency 1, 2, 3 Calculations (44, 45, 46) | | <ul style="list-style-type: none"> Check if contradictory settings have been assigned to the multi-function input terminals at the same time. Correct setting errors. |
| The Up/Down command (10, 11) is enabled at the same time as PID control (b5-01). | | Disable control PID (b5-01 = 0) or disable the Up/Down command. |
| Settings for N.C. and N.O. input for the following functions were selected at the same time: <ul style="list-style-type: none"> External Search Command 1 and External Search Command 2 (61 vs. 62) Fast Stop N.O. and Fast Stop N.C. (15 vs. 17) KEB for Momentary Power Loss and High Slip Braking (65, 66, 7A, 7B vs. 68) Motor Switch Command and Accel/Decel Time 2 (16 vs. 1A) KEB Command 1 and KEB Command 2 (65, 66 vs. 7A, 7B) FWD Run Command (or REV) and FWD/REV Run Command (2-wire) (40, 41 vs. 42, 43) External DB Command and Drive Enable (60 vs. 6A) Motor Switch Command and Up 2/Down 2 Command (16 vs. 75, 76) | | Check for contradictory settings assigned to the multi-function input terminals at the same time. Correct setting errors. |
| One of the following settings was entered while H1-□□ = 2 (External Reference 1/2): <ul style="list-style-type: none"> b1-15 = 4 (Pulse Train Input) but the pulse train input selection is not set for the frequency reference (H6-01 > 0) b1-15 or b1-16 set to 3 but no option card is connected Although b1-15 = 1 (Analog Input) and H3-02 or H3-10 are set to 0 (Frequency Bias) | | Correct the settings for the multi-function input terminal parameters. |
| H2-□□ = 38 (Drive Enabled) but H1-□□ is not set to 6A (Drive Enable). | | |
| H1-□□ = 7E (Direction Detection) although H6-01 is not set to 3 (for V/f Control with PG using terminal RP as speed feedback input). | | |
| Digital Operator Display | | Error Name |
| | oPE04 | Initialization required. |
| Cause | | Possible Solutions |
| The drive, control board, or terminal board has been replaced and the parameter settings between the control board and the terminal board no longer match. | | To load the parameter settings to the drive that are stored in the terminal board, set A1-03 to 5550. Initialize parameters after drive replacement by setting A1-03 to 1110 or 2220. |

6.6 Operator Programming Errors

| Digital Operator Display | | Error Name | |
|--|-------|---|---------------------------|
| | oPE05 | Run Command/Frequency Reference Source Selection Error | |
| Cause | | Possible Solutions | |
| Frequency reference is assigned to an option card (b1-01 = 3) but an input option card is not connected to the drive. | | Reconnect the input option card to the drive. | |
| The Run command is assigned to an option card (b1-02 = 3) but an input option card is not connected to the drive. | | | |
| Frequency reference is assigned to the pulse train input (b1-01 = 4), but terminal RP is not set for frequency reference input (H6-01 > 0) | | Set H6-01 to "0". | |
| Although the digital card input is set for BCD special for a 5 digit input (F3-01 = 6), the data length is set for 8 bit or 12 bit (F3-03 = 0, 1). | | Set the input data for 16 bit (F3-03 = 2). | |
| The following values have been set while an AI-A3 option card is installed: | | Make sure parameters are set properly. | |
| <ul style="list-style-type: none"> The source of frequency reference setting is assigned to an option card (b1-01 = 3). The action for the analog card is set for separate terminal input (F2-01 = 0). | | | |
| Digital Operator Display | | Error Name | |
| | oPE06 | Control Method Selection Error | |
| Cause | | Possible Solutions | |
| A control mode has been selected that requires a PG option card to be installed, but no PG encoder is installed (A1-02 = 1, 3, or 7). | | <ul style="list-style-type: none"> Connect a PG option card. Correct the value set to A1-02. | |
| Digital Operator Display | | Error Name | |
| | oPE07 | Multi-Function Analog Input Selection Error | |
| Cause | | Possible Solutions | |
| At least two analog input terminals are set to the same function (i.e., at least two of these parameters has the same setting: H3-02, H3-06, or H3-10). | | Change the settings to H3-02, H3-06, and H3-10 so that functions no longer conflict. Note: Both 0 (frequency reference bias) and F (not used) can be set to H3-02, H3-06, and H3-10 at the same time. | |
| The following simultaneous contradictory settings: | | Disable one of the PID selections. | |
| <ul style="list-style-type: none"> H3-02, H3-06, or H3-10 = B (PID Feedback) while H6-01 (Pulse Train Input) = 1 (PID Feedback) H3-02, H3-06, or H3-10 = C (PID Target Value) while H6-01 = 2 (pulse train input sets the PID target value) H3-02, H3-06, or H3-10 = C (PID Target Value) while b5-18 = 1 (enables b5-19 as the target PID value) H6-01 = 2 (PID target) while b5-18 = 1 (enables b5-19 as the target PID value) | | | |
| Digital Operator Display | | | Error Name |
| | oPE08 | | Parameter Selection Error |
| Cause | | | Possible Solutions |
| Attempted to use a function that is not valid for the selected control mode. | | Check the motor control method and the functions available. | |
| In Open Loop Vector Control, n2-02 is greater than n2-03 | | Correct parameter settings so that n2-02 is less than n2-03. | |
| In Open Loop Vector Control, C4-02 is greater than C4-06 | | Correct parameter settings so that C4-02 is less than C4-06. | |
| In OLV/PM, parameters E5-02 to E5-07 are set to 0. | | <ul style="list-style-type: none"> Set the correct motor code in accordance with the motor being used (E5-01). When using a special-purpose motor, set E5-□□ in accordance with the test report provided. | |
| The following settings have occurred in OLV/PM: | | <ul style="list-style-type: none"> Set E5-09 or E5-24 to the correct value, and set the other to "0". Set the motor rated current for PM to "0" (E5-03). | |
| <ul style="list-style-type: none"> E5-03 does not equal 0 E5-09 and E5-24 are both equal to 0, or neither equals 0 | | | |
| b1-14 (Phase Order Selection) is set to 1 (Switch phase order) when in using a PG option card. | | Correct the parameter settings. | |
| In AOLV/PM High Frequency Injection is disabled (n8-57 = 0) and the minimum frequency (E1-09) is set lower than 1/20 of the base frequency setting. | | Correct the parameter settings. | |
| Note: Use U1-18 to find which parameters are set outside the specified setting range. Other errors are given precedence over oPE08 when multiple errors occur at the same time. | | | |
| Digital Operator Display | | Error Name | |
| | oPE09 | PID Control Selection Fault | |
| Cause | | Possible Solutions | |
| PID control function selection is incorrect. Requires that PID control is enabled (b5-01 = 1 to 4). | | <ul style="list-style-type: none"> Set b5-15 to another value besides 0. Set the stopping method to coast to stop or ramp to stop (b1-03 = 0 or 1). | |
| The following simultaneous contradictory settings have occurred: | | | |
| <ul style="list-style-type: none"> b5-15 not 0.0 (PID Sleep Function Operation Level) The stopping method is set to either DC Injection Braking or coast to stop with a timer (b1-03 = 2 or 3). | | | |
| PID control is set to b5-01 = 1 or 2, but the lower limit for the frequency reference (d2-02) is not set to 0 while reverse output is enabled (b5-11 = 1). | | Correct the parameter settings. | |
| PID control is set to b5-01 = 3 or 4, but the lower limit for the frequency reference (d2-01) is not 0. | | Correct the parameter settings. | |

| Digital Operator Display | | Error Name |
|--|-------|--|
| oPE 10 | oPE10 | V/f Data Setting Error |
| Cause | | Possible Solutions |
| — | | Correct the settings for E1-04, E1-06, E1-07, E1-09, and E1-11 (for motor 2, correct E3-04, E3-06, E3-07, E3-09, and E3-11). |
| The following simultaneous contradictory settings: C6-05 is greater than 6 and C6-04 is greater than C6-03 (carrier frequency lower limit is greater than the upper limit). If C6-05 is less than or equal to 6, the drive operates at C6-03. | | Correct the parameter settings. |
| Upper and lower limits between C6-02 and C6-05 contradict each other. | | |
| Digital Operator Display | | Error Name |
| oPE 11 | oPE11 | Carrier Frequency Setting Error |
| Cause | | Possible Solutions |
| — | | Correct the setting for the carrier frequency. |
| Digital Operator Display | | Error Name |
| oPE 13 | oPE13 | Pulse Monitor Selection Error |
| Cause | | Possible Solutions |
| Scaling for the pulse train monitor is set to 0 (H6-07 = 0) while H6-06 is not set to 101, 102, 105, or 116. | | Change scaling for the pulse train monitor or set H6-06 to 101, 102, 105, or 116. |
| Digital Operator Display | | Error Name |
| oPE 15 | oPE15 | Torque Control Setting Error |
| Cause | | Possible Solutions |
| Torque Control is enabled (d5-01 = 1) while the Speed/Torque Control switch function is assigned to a digital input (H1-□□ = 71). | | Correct the parameter settings. |
| Either Torque Control is enabled by d5-01 = 1, the or Speed/Torque Control switch is assigned to a digital input H1-□□ = 71, while at the same time: <ul style="list-style-type: none"> • Feed Forward is enabled (n5-01 = 1), or • Droop Control is enabled (b7-01 ≠ 0), or • Intelligent Stall Prevention or Intelligent Stall Prevention 2 is enabled (L3-04 = 2 or 5), or • A digital input is set for the power KEB 1 or KEB 2 (H1-□□ = 7A or 7B) | | |
| Digital Operator Display | | Error Name |
| oPE 16 | oPE16 | Energy Savings Constants Error |
| Cause | | Possible Solutions |
| In AOLV/PM the automatically calculated energy saving coefficients are out of the allowable range. | | Check and correct the motor data in E5 parameters. |
| Digital Operator Display | | Error Name |
| oPE 18 | oPE18 | Online Tuning Parameter Setting Error |
| Cause | | Possible Solutions |
| One of the following setting errors has occurred while Online Tuning is enabled in OLV (A1-02 = 2): <ul style="list-style-type: none"> • E2-02 has been set below 30% of the original default value • E2-06 has been set below 50% of the original default value • E2-03 = 0 | | Make sure E2-02, E2-03, and E2-06 are set the correct values. |

6.7 Auto-Tuning Fault Detection

Auto-Tuning faults are shown below. When the following faults are detected, the fault is displayed on the digital operator and the motor coasts to a stop. Auto-Tuning faults do not trigger a multi-function terminal set for fault or alarm output.

An End□ error indicates that although Auto-Tuning has completely successful, there is some discrepancy in the calculations the drive made. If an End□ error occurs, check for what might be causing the error using the table below, and perform Auto-Tuning again once the problem has been taken care of. If there appears to be no problem despite the End□ error being displayed, go ahead and start the application.

◆ Auto-Tuning Codes, Causes, and Possible Solutions

Table 6.18 Auto-Tuning Codes, Causes, and Possible Solutions

| Digital Operator Display | | Error Name |
|--|------|---|
| End1 | End1 | Excessive V/f Setting (detected only during Rotational Auto-Tuning, and displayed after Auto-Tuning is complete) |
| Cause | | Possible Solutions |
| The torque reference exceeded 20% during Auto-Tuning. | | <ul style="list-style-type: none"> • Before Auto-Tuning the drive, verify the information written on the motor nameplate and enter that data to T1-03 through T1-05. • Enter proper information to parameters T1-03 to T1-05 and repeat Auto-Tuning. • If possible, disconnect the motor from the load and perform Auto-Tuning. If the load cannot be uncoupled, simply use the Auto-Tuning results as they are. |
| The results from Auto-Tuning the no-load current exceeded 80%. | | |
| Digital Operator Display | | Error Name |
| End2 | End2 | Motor Iron-Core Saturation Coefficient (detected only during Rotational Auto-Tuning and displayed after Auto-Tuning is complete) |
| Cause | | Possible Solutions |
| Motor data entered during Auto-Tuning was incorrect. | | <ul style="list-style-type: none"> • Make sure the data entered to the T1 parameters match the information written on the motor nameplate. • Restart Auto-Tuning and enter the correct information. • Check and correct faulty motor wiring. • Disconnect the motor from machine and perform Rotational Auto-Tuning. |
| Results from Auto-Tuning are outside the parameter setting range, assigning the iron-core saturation coefficient (E2-07, E2-08) a temporary value. | | |
| Digital Operator Display | | Error Name |
| End3 | End3 | Rated Current Setting Alarm (displayed after Auto-Tuning is complete) |
| Cause | | Possible Solutions |
| The correct current rating printed on the nameplate was not entered into T1-04. | | <ul style="list-style-type: none"> • Check the setting of parameter T1-04. • Check the motor data and repeat Auto-Tuning. |
| Digital Operator Display | | Error Name |
| End4 | End4 | Adjusted Slip Calculation Error |
| Cause | | Possible Solutions |
| The slip that was calculated is outside the allowable range. | | <ul style="list-style-type: none"> • Make sure the data entered for Auto-Tuning is correct. • Execute Rotational Auto-Tuning instead. If not possible, try Stationary Auto-Tuning 2. |
| Digital Operator Display | | Error Name |
| End5 | End5 | Resistance Tuning Error |
| Cause | | Possible Solutions |
| The resistance value that was calculated is outside the allowable range. | | <ul style="list-style-type: none"> • Double check the data that was entered for the Auto-Tuning process. • Check the motor and motor cable connection for faults. |
| Digital Operator Display | | Error Name |
| End6 | End6 | Leakage Inductance Alarm |
| Cause | | Possible Solutions |
| The leakage inductance value that was calculated is outside the allowable range. | | Double check the data that was entered for the Auto-Tuning process. |
| Digital Operator Display | | Error Name |
| End7 | End7 | No-Load Current Alarm |
| Cause | | Possible Solutions |
| The entered no-load current value was outside the allowable range. | | Check and correct faulty motor wiring. |
| Auto-Tuning results were less than 5% of the motor rated current. | | Double check the data that was entered for the Auto-Tuning process. |

| Digital Operator Display | | Error Name |
|--|-------|---|
| Er-01 | Er-01 | Motor Data Error |
| Cause | | Possible Solutions |
| Motor data or data entered during Auto-Tuning was incorrect. | | <ul style="list-style-type: none"> Check that the motor data entered to T1 parameters matches motor nameplate input before Auto-Tuning. Start Auto-Tuning over again and enter the correct information. |
| Motor output power and motor-rated current settings (T1-02 and T1-04) do not match. | | <ul style="list-style-type: none"> Check the drive and motor capacities. Correct the settings of parameters T1-02 and T1-04. |
| Motor rated current and detected no-load current are not consistent with another. | | <ul style="list-style-type: none"> Check the motor rated current and no-load current. Correct the settings of parameters T1-04 and E2-03. |
| Base frequency and motor rated speed (T1-05 and T1-07) do not match. | | <ul style="list-style-type: none"> Set T1-05 and T1-07 to the correct value. Check if the correct pole number was entered to T1-06. |
| Digital Operator Display | | Error Name |
| Er-02 | Er-02 | Minor Fault |
| Cause | | Possible Solutions |
| An alarm was triggered during Auto-Tuning. | | Exit the Auto-Tuning menu, check the alarm code, remove the alarm cause, and repeat Auto-Tuning. |
| Digital Operator Display | | Error Name |
| Er-03 | Er-03 | STOP Button Input |
| Cause | | Possible Solutions |
| Auto-Tuning canceled by pressing STOP button. | | Auto-Tuning did not complete properly and will have to be performed again. |
| Digital Operator Display | | Error Name |
| Er-04 | Er-04 | Line-to-Line Resistance Error |
| Cause | | Possible Solutions |
| Motor data entered during Auto-Tuning was incorrect. | | <ul style="list-style-type: none"> Make sure the data entered to the T1 parameters match the information written on the motor nameplate. Restart Auto-Tuning and enter the correct information. |
| Results from Auto-Tuning are outside the parameter setting range or the tuning process took too long. | | Check and correct faulty motor wiring. |
| Motor cable or cable connection faulty. | | |
| Digital Operator Display | | Error Name |
| Er-05 | Er-05 | No-Load Current Error |
| Cause | | Possible Solutions |
| Motor data entered during Auto-Tuning was incorrect. | | <ul style="list-style-type: none"> Make sure the data entered to the T1 parameters match the information written on the motor nameplate. Restart Auto-Tuning and enter the correct information. |
| Results from Auto-Tuning are outside the parameter setting range or the tuning process took too long. | | <ul style="list-style-type: none"> Check and correct faulty motor wiring. Perform Rotational Auto-Tuning. |
| The load during Rotational Auto-tuning was too high. | | <ul style="list-style-type: none"> Disconnect the motor from machine and restart Auto-Tuning. If motor and load cannot be uncoupled make sure the load is lower than 30%. If a mechanical brake is installed, make sure it is fully lifted during tuning. |
| Digital Operator Display | | Error Name |
| Er-08 | Er-08 | Rated Slip Error |
| Cause | | Possible Solutions |
| Motor data entered during Auto-Tuning was incorrect. | | <ul style="list-style-type: none"> Make sure the data entered to the T1 parameters match the information written on the motor nameplate. Restart Auto-Tuning and enter the correct information. |
| Drive-calculated values outside parameter setting range or the tuning process took too long. | | <ul style="list-style-type: none"> Check and correct faulty motor wiring. Perform Rotational Auto-Tuning. |
| The load during rotational Auto-tuning was too high. | | <ul style="list-style-type: none"> Disconnect the motor from machine and restart Auto-Tuning. If motor and load cannot be uncoupled make sure the load is lower than 30%. If a mechanical brake is installed, make sure it is fully lifted during tuning. |
| Digital Operator Display | | Error Name |
| Er-09 | Er-09 | Acceleration Error |
| Cause | | Possible Solutions |
| The motor did not accelerate for the specified acceleration time. | | <ul style="list-style-type: none"> Increase the acceleration time (C1-01). Check if it is possible to disconnect the machine from the motor. |
| Torque limit when motoring is too low (L7-01 and L7-02). | | <ul style="list-style-type: none"> Check the settings of parameters L7-01 and L7-02. Increase the setting. |
| The load during Rotational Auto-Tuning was too high. | | <ul style="list-style-type: none"> Disconnect the motor from machine and restart Auto-Tuning. If motor and load cannot be uncoupled make sure the load is lower than 30%. If a mechanical brake is installed, make sure it is fully lifted during tuning. |
| Digital Operator Display | | Error Name |
| Er-10 | Er-10 | Motor Direction Error |
| Cause | | Possible Solutions |
| The encoder signal lines are not properly connected to the drive. | | Check and correct wiring to the PG encoder. |
| Motor and PG direction are opposite. | | Check the motor speed monitor U1-05 while turning the motor manually in forward direction. If the sign displayed is negative, change the setting of parameter F1-05. |
| The load pulled the motor in the opposite direction of the speed reference and the torque exceeded 100%. | | Uncouple the motor from the load and repeat Auto-Tuning. |

6.7 Auto-Tuning Fault Detection

| Digital Operator Display | | Error Name |
|---|-------|--|
| $E_r - 11$ | Er-11 | Motor Speed Fault |
| Cause | | Possible Solutions |
| Torque reference is too high. | | <ul style="list-style-type: none"> Increase the acceleration time (C1-01). Disconnect the machine from the motor, if possible. |
| Digital Operator Display | | Error Name |
| $E_r - 12$ | Er-12 | Current Detection Error |
| Cause | | Possible Solutions |
| One of the motor phases is missing: (U/T1, V/T2, W/T3). | | Check motor wiring and correct any problems. |
| Current exceeded the current rating of the drive. | | <ul style="list-style-type: none"> Check the motor wiring for a short between motor lines. If a magnetic contactor is used between motors, make sure it is closed. Replace either the control board or the entire drive. For instructions on replacing the control board, contact Yaskawa or your nearest sales representative. |
| The current is too low. | | |
| Attempted Auto-Tuning without motor connected to the drive. | | Connect the motor and perform Auto-Tuning. |
| Current detection signal error. | | Replace either the control board or the entire drive. For instructions on replacing the control board, contact Yaskawa or your nearest sales representative. |
| Digital Operator Display | | Error Name |
| $E_r - 13$ | Er-13 | Leakage Inductance Error |
| Cause | | Possible Solutions |
| Drive was unable to complete tuning for leakage inductance within 300 seconds. | | <ul style="list-style-type: none"> Check all wiring and correct any mistakes. Double check the motor rated current value that was entered to T1-04 for Auto-Tuning. Check the motor rated current value written on the motor nameplate and enter the correct value. |
| Digital Operator Display | | Error Name |
| $E_r - 14$ | Er-14 | Motor Speed Error 2 |
| Cause | | Possible Solutions |
| The motor speed exceeded twice the amplitude of speed reference during Inertia Tuning. | | Reduce the ASR gain set to C5-01. |
| Digital Operator Display | | Error Name |
| $E_r - 15$ | Er-15 | Torque Saturation Error |
| Cause | | Possible Solutions |
| The output torque reached the torque limit set in L7-01 through L7-04 during Inertia Tuning. | | <ul style="list-style-type: none"> Increase the torque limits in L7-01 through L7-04 (but keep them within reasonable limits). First try reducing the test signal amplitude in T3-01 and repeat the tuning. If necessary, then try reducing the test signal frequency (T3-02) and repeat the tuning. |
| Digital Operator Display | | Error Name |
| $E_r - 16$ | Er-16 | Inertia Detection Error |
| Cause | | Possible Solutions |
| The inertia identified by the drive was abnormally small or abnormally large during Inertia Tuning. | | <ul style="list-style-type: none"> First try reducing the test signal amplitude in T3-01 and repeat the tuning. If necessary, then try reducing the test signal frequency (T3-02) and repeat the tuning. Check the basic motor inertia value entered to T3-03. |
| Digital Operator Display | | Error Name |
| $E_r - 17$ | Er-17 | Reverse Prohibited Error |
| Cause | | Possible Solutions |
| Drive is prohibited from rotating the motor in reverse while attempting to perform Inertia Tuning. | | <ul style="list-style-type: none"> Inertia Auto-Tuning cannot be performed if the drive is restricted from rotating in reverse. Assuming it is acceptable for the application to rotate in reverse, set b1-04 to 0 and then execute Inertia Tuning. |
| Digital Operator Display | | Error Name |
| $E_r - 18$ | Er-18 | Induction Voltage Error |
| Cause | | Possible Solutions |
| The induced voltage constant exceeds the allowable setting range. | | Double check the data that was entered to the T2-□□ parameters, and perform Auto-Tuning again. |
| Digital Operator Display | | Error Name |
| $E_r - 19$ | Er-19 | PM Inductance Error |
| Cause | | Possible Solutions |
| The induced voltage constant inductance values set to E5-08 or E5-09 exceed the allowable range. | | Double check the data that was entered to the T2-□□ parameters, and perform Auto-Tuning again. |
| Digital Operator Display | | Error Name |
| $E_r - 20$ | Er-20 | Stator Resistance Error |
| Cause | | Possible Solutions |
| Stator resistance tuning attempted to set a value to E5-06 that is outside the allowable setting range. | | Double check the data that was entered to the T2-□□ parameters, and perform Auto-Tuning again. |

| Digital Operator Display | | Error Name |
|---|-------|---|
| Er-21 | Er-21 | Z Pulse Correction Error |
| Cause | | Possible Solutions |
| Motor was coasting when Auto-Tuning was performed. | | Make sure the motor has stopped completely. Repeat Auto-Tuning. |
| Either the motor or the PG encoder on the motor is not properly wired. | | Check the wiring for the motor and the PG encoder. Repeat Auto-Tuning. |
| The direction for the PG encoder is set incorrectly, or the number of pulses set for the PG encoder is wrong. | | Check the direction and number of pulses set for the PG encoder. Repeat Auto-Tuning. |
| PG encoder is damaged. | | Check the signal output from the PG encoder attached to the motor. Replace the PG if damaged. |

6.8 Copy Function Related Displays

◆ Tasks, Errors, and Troubleshooting

The table below lists the messages and errors that may appear when using the Copy function.

When executing the tasks offered by the Copy function, the operator will indicate the task being performed. When an error occurs, a code appears on the operator to indicate the error. Note that errors related to the Copy function do not trigger a multi-function output terminal that has been set up to close when a fault or alarm occurs. To clear an error, simply press any key on the operator and the error display will disappear.

Table 6.19 lists the corrective action that can be taken when an error occurs.

- Note:**
1. Whenever using the copy function, the drive should be fully stopped.
 2. The drive will not accept a Run command while the Copy function is being executed.
 3. Parameters can only be saved to a drive when the voltage class, capacity, control mode, and software version match.

Table 6.19 Copy Function Task and Error Displays

| Digital Operator Display | | Task |
|--|------|---|
| <i>CoPy</i> | CoPy | Writing Parameter Settings (flashing) |
| Cause | | Possible Solutions |
| Parameters are being written to the drive. | | Not an error. |
| Digital Operator Display | | Task |
| <i>CPEr</i> | CPEr | Control Mode Mismatch |
| Cause | | Possible Solutions |
| Control mode of the parameters to be loaded onto the drive and the control mode already set to the drive don't match. | | Check the control mode for the parameters that are to be loaded onto the drive and the control mode set to the drive those parameters will be written to. Set the same control mode using parameter A1-02 and try again. |
| Digital Operator Display | | Task |
| <i>CPyE</i> | CPyE | Error Writing Data |
| Cause | | Possible Solutions |
| Failed writing parameters. | | Try writing parameters again. |
| Digital Operator Display | | Task |
| <i>CSEr</i> | CSEr | Copy Unit Error |
| Cause | | Possible Solutions |
| Hardware fault | | Replace the operator or the USB Copy Unit. |
| Digital Operator Display | | Task |
| <i>dFPS</i> | dFPS | Drive Model Mismatch |
| Cause | | Possible Solutions |
| The drive from which the parameter were copied and the drive you are attempting to write to are not the same model. <ul style="list-style-type: none"> • The drive the parameters were copied from is a different model drive. • The drive you attempting to write to is a different model. | | Check the model number of the drive that the parameters were copied from and the model of the drive you are attempting to write those parameters to. Make sure the drive from which the parameter are copied and the drive to be written to have the same model numbers and software versions. |
| Digital Operator Display | | Task |
| <i>End</i> | End | Task Complete |
| Cause | | Possible Solutions |
| Finished reading, writing, or verifying parameters. | | Not an error. |
| Digital Operator Display | | Task |
| <i>iFEr</i> | iFEr | Communication Error |
| Cause | | Possible Solutions |
| A communication error occurred between the drive and the operator or the USB copy unit. | | Check the cable connection. |
| A non-compatible cable is being used to connect the USB Copy Unit and the drive. | | Use the cable originally packaged with the USB Copy Unit. |
| Digital Operator Display | | Task |
| <i>ndAT</i> | ndAT | Model, Voltage Class, Capacity Mismatch |
| Cause | | Possible Solutions |
| The drive the parameters were copied from and the drive you are attempting to write to have different electrical specifications, a different capacity, is set to a different control mode, or is a different model number. | | Make sure model numbers and specifications are the same for both drives. |
| The device being used to write the parameters is blank and does not have any parameters saved on it. | | Making sure all connections are correct, and copy the parameter settings onto the USB Copy Unit or the operator. |

| Digital Operator Display | | Task |
|---|------|---|
| <i>rdEr</i> | rdEr | Error Reading Data |
| Cause | | Possible Solutions |
| Failed while attempting to read parameter settings from the drive. | | Press and hold the READ key on the USB Copy Unit for at least one second to have the unit read parameters from the drive. |
| Digital Operator Display | | Task |
| <i>rEAd</i> | rEAd | Reading Parameter Settings (flashing) |
| Cause | | Possible Solutions |
| Displayed while the parameter settings are being read onto the USB Copy Unit. | | Not an error. |
| Digital Operator Display | | Task |
| <i>vAEr</i> | vAEr | Voltage Class, Capacity Mismatch |
| Cause | | Possible Solutions |
| The drive the parameters were copied from and the drive you performing the Verify mode on have different electrical specifications or are a different capacity. | | Make sure electrical specifications and capacities are the same for both drives. |
| Digital Operator Display | | Task |
| <i>vFyE</i> | vFyE | Parameter settings in the drive and those saved to the copy function are not the same |
| Cause | | Possible Solutions |
| Indicates that parameter settings that have been Read and loaded onto the Copy Unit or Digital Operator are different. | | To have parameters be the same, either write the parameters save on the USB Copy Unit or LCD digital operator onto the drive, or Read the parameter settings on the drive onto the USB Copy Unit. |
| Digital Operator Display | | Task |
| <i>vrFy</i> | vrFy | Comparing Parameter Settings (flashing) |
| Cause | | Possible Solutions |
| The Verify mode has confirmed that parameters settings on the drive and parameters read to the copy device are identical. | | Not an error. |

6.9 Diagnosing and Resetting Faults

When a fault occurs and the drive stops, follow the instructions below to remove whatever conditions triggered the fault, then restart the drive.

◆ Fault Occurs Simultaneously with Power Loss

WARNING! Electrical Shock Hazard. Ensure there are no short circuits between the main circuit terminals (R/L1, S/L2, and T/L3) or between the ground and main circuit terminals before restarting the drive. Failure to comply may result in serious injury or death and will cause damage to equipment.

1. Turn on the drive input power.
2. Use monitor parameters U2-□□ to display data on the operating status of the drive just before the fault occurred.
3. Remove the cause of the fault and reset.

Note:

1. To find out what faults were triggered, check the fault history in U2-02. Information on drive status when the fault occurred such as the frequency, current, and voltage can be found in U2-03 through U2-20. [Refer to Viewing Fault Trace Data After Fault on page 334](#) for information on how to view fault data.
2. When the fault continues to be displayed after cycling power, remove the cause of the fault and reset.

◆ If the Drive Still has Power After a Fault Occurs


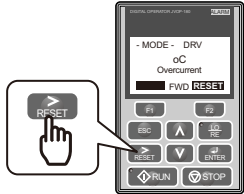
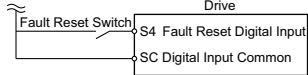
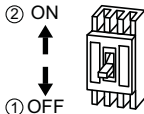
1. Look at the digital operator for information on the fault that occurred.
2. [Refer to Fault Displays, Causes, and Possible Solutions on page 306](#)
3. Reset the fault. [Refer to Fault Reset Methods on page 335](#).

◆ Viewing Fault Trace Data After Fault

| Step | Display/Result |
|--|--|
| 1. Turn on the drive input power. The first screen displays. | <pre> - MODE - DRV Rdy FREF (OPR) U1-01= 0.00Hz ----- U1-02= 0.00Hz [LSEQ] U1-03= 0.00A [LREF] JOG FWD FWD/REV </pre> |
| 2. Press or until the monitor screen is displayed. | <pre> - MODE - DRV Rdy Monitor Menu U1-01= 0.00Hz ----- U1-02= 0.00Hz [LSEQ] U1-03= 0.00A [LREF] JOG FWD FWD/REV </pre> |
| 3. Press to display the parameter setting screen. | <pre> -MONITR- DRV Rdy Monitor U1-01= 0.00Hz ----- U1-02= 0.00Hz [LSEQ] U1-03= 0.00A [LREF] JOG FWD FWD/REV </pre> |
| 4. Press and to scroll to monitor U2-02. The fault code shown in U2-02 is the fault that occurred last. | <pre> - MONITR - DRV Rdy Last Fault U2-02= oC ----- U2-03= 0.00Hz [LSEQ] U2-04= 0.00Hz [LREF] JOG FWD FWD/REV </pre> |
| 7. Press to view drive status information when fault occurred. Parameters U2-03 through U2-20 help determine the cause of a fault. Parameters to be monitored differ depending on the control mode. | <pre> - MONITR - DRV Rdy Frequency Ref U2-03= 0.00Hz ----- U2-04= 0.00Hz [LSEQ] U2-05= 0.00A [LREF] JOG FWD FWD/REV </pre> <p style="text-align: center;">↑ ↓</p> <pre> - MONITR - DRV Rdy Heatsink Temp U2-20= XX °C ----- U2-01= --- [LSEQ] U2-02= --- [LREF] JOG FWD FWD/REV </pre> |

◆ **Fault Reset Methods**

When a fault occurs, the cause of the fault must be removed and the drive must be restarted. The table below lists the different ways to restart the drive.

| After the Fault Occurs | Procedure | |
|---|--|---|
| Fix the cause of the fault, restart the drive, and reset the fault | Press  on the digital operator. |  |
| Resetting via Fault Reset Digital Input S4 | Close then open the fault signal digital input via terminal S4. S4 is set for "Fault Reset" as default (H1-04 = 14). |  |
| If the above methods do not reset the fault, turn off the drive main power supply. Reapply power after the digital operator display is out. | |  |

Note: If the Run command is present, the drive will disregard any attempts to reset the fault. The Run command must first be removed before a fault situation can be cleared.

6.10 Troubleshooting without Fault Display

This section describes troubleshooting problems that do not trip an alarm or fault.



The following symptoms indicate that the drive is not set correctly for proper performance with the motor. Refer to [Motor Performance Fine-Tuning on page 296](#) for guidance on troubleshooting.

- Motor hunting and oscillation
- Poor motor torque
- Poor speed precision
- Poor motor torque and speed response
- Motor noise

◆ Common Problems






| Common Problems | | Page |
|---|--|------|
| Cannot Change Parameter Settings | | 336 |
| Motor Does Not Rotate Properly after Pressing RUN Button or after Entering External Run Command | Motor Does Not Rotate | 337 |
| | Motor Rotates in the Opposite Direction from the Run Command | 337 |
| | Motor Rotates in One Direction Only | 338 |
| Motor is Too Hot | | 338 |
| Drive Does Not Allow Selection of Rotational Auto-Tuning | | 338 |
| oPE02 Error Occurs When Lowering the Motor Rated Current Setting | | 338 |
| Motor Stalls During Acceleration or With Large Loads | | 338 |
| Drive Frequency Reference Differs from the Controller Frequency Reference Command | | 339 |
| Excessive Motor Oscillation and Erratic Rotation | | 339 |
| Deceleration Takes Longer Than Expected with Dynamic Braking Enabled | | 339 |
| Load Falls When Brake is Applied (Hoist-Type Applications) | | 339 |
| Noise From Drive or Output Lines When the Drive is Powered On | | 340 |
| Earth Leakage Circuit Breaker (ELCB) Trips During Run | | 340 |
| Connected Machinery Vibrates When Motor Rotates | Unexpected Noise from Connected Machinery | 340 |
| | Oscillation or Hunting | 340 |
| PID Output Fault | | 340 |
| Insufficient Starting Torque | | 340 |
| Motor Rotates After the Drive Output is Shut Off (Motor Rotates During DC Injection Braking) | | 341 |
| Output Frequency is not as High as Frequency Reference | | 341 |
| Buzzing Sound from Motor at 2 kHz | | 341 |
| Unstable Motor Speed when Using PM or IPM | | 341 |
| Motor Does Not Restart after Power Loss | | 341 |

◆ Cannot Change Parameter Settings

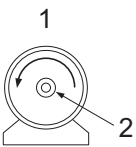
| Cause | Possible Solutions |
|---|---|
| The drive is running the motor (i.e., the Run command is present). | <ul style="list-style-type: none"> • Stop the drive and switch over to the Programming Mode. • Most parameters cannot be edited during run. |
| The Access Level is set to restrict access to parameter settings. | <ul style="list-style-type: none"> • Set the Access Level to allow parameters to be edited (A1-01 = 2). |
| The operator is not in the Parameter Setup Mode (the screen will display “PAR”). | <ul style="list-style-type: none"> • See what mode the operator is currently set for. • Parameters cannot be edited when in the Setup Mode (“STUP”). Switch modes so that “PAR” appears on the screen. Refer to The Drive and Programming Modes on page 91. |
| A multi-function contact input terminal is set to allow or restrict parameter editing (H1-01 through H1-08 = 1B). | <ul style="list-style-type: none"> • When the terminal is open, parameters cannot be edited. • Turn on the multi-function contact input set to 1B. |
| The wrong password was entered. | <ul style="list-style-type: none"> • If the password entered to A1-04 does not match the password saved to A1-05, then drive settings cannot be changed. • Reset the password. <p>If you cannot remember the password:</p> <ul style="list-style-type: none"> • Scroll to A1-04. Press the  button and press  at the same time. Parameter A1-05 will appear. • Set a new password to parameter A1-05. |
| Undervoltage was detected. | <ul style="list-style-type: none"> • Check the drive input power voltage by looking at the DC bus voltage (U1-07). • Check all main circuit wiring. |

◆ Motor Does Not Rotate Properly after Pressing RUN Button or after Entering External Run Command

■ Motor Does Not Rotate

| Cause | Possible Solutions |
|---|---|
| The drive is not in the Drive Mode. | <ul style="list-style-type: none"> Check if the DRV light on the digital operator is lit. Enter the Drive Mode to begin operating the motor. <i>Refer to The Drive and Programming Modes on page 91.</i> |
| The  button was pushed. | <p>Stop the drive and check if the correct frequency reference source is selected. If the operator keypad shall be the source, the LO/RE button LED must be on. If the source is REMOTE, it must be off. Take the following steps to solve the problem:</p> <ul style="list-style-type: none"> Push the  button. If o2-01 is set to 0, then the LO/RE button will be disabled. |
| Auto-Tuning has just completed. | <ul style="list-style-type: none"> When Auto-Tuning completes, the drive is switched back to the Programming Mode. The Run command will not be accepted unless the drive is in the Drive Mode. Use the digital operator to enter the Drive Mode. <i>Refer to The Drive and Programming Modes on page 91.</i> |
| A Fast Stop was executed and has not yet been reset. | Reset the Fast Stop command. |
| Settings are incorrect for the source that provides the Run command. | <p>Check parameter b1-02 (Run Command Selection). Set b1-02 so that it corresponds with the correct Run command source.</p> <p>0: Digital operator 1: Control circuit terminal (default setting) 2: MEMOBUS/Modbus communications 3: Option card</p> |
| There is faulty wiring in the control circuit terminals. | <ul style="list-style-type: none"> Check the wiring for the control terminal. Correct wiring mistakes. Check the input terminal status monitor (U1-10). |
| The drive has been set to accept the frequency reference from the incorrect source. | <p>Check parameter b1-01 (Frequency Reference Selection 1). Set b1-01 to the correct source of the frequency reference.</p> <p>0: Digital operator 1: Control circuit terminal (default setting) 2: MEMOBUS/Modbus communications 3: Option card 4: Pulse train input (RP)</p> |
| The terminal set to accept the main speed reference is set to the incorrect voltage and/or current. | If the frequency reference is set at terminal A1, check parameter H3-01 for the correct signal level selection. If terminal A2 is used, check DIP switch S1 parameter H3-08. If terminal A3 is used, check parameter H3-08. <i>Refer to Terminal A2 Input Signal Selection on page 79.</i> |
| Selection for the sink/source mode and the internal/external power supply is incorrect. | Check jumper S3. <i>Refer to Sinking/Sourcing Mode Switch for Digital Inputs on page 77.</i> |
| Frequency reference is too low. | <ul style="list-style-type: none"> Check the frequency reference monitor (U1-01). Increase the frequency by changing the maximum output frequency (E1-09). |
| Multi-function analog input is set up to accept gain for the frequency reference, but no voltage (current) has been provided. | <ul style="list-style-type: none"> Check the multi-function analog input settings. Check if analog input A1, A2, or A3 is set for frequency reference gain (H3-02, H3-10, H3-06 = 1). If so, check if the correct signal is applied to the terminal. The gain and the frequency reference will be 0 if no signal is applied to the gain input. Check if H3-02, H3-10, and H3-06 have been set to the proper values. Check if the analog input value has been set properly. (U1-13 to U1-15) |
| The  button was pressed when the drive was started from a REMOTE source. | <ul style="list-style-type: none"> When the  button is pressed, the drive will decelerate to stop. Switch off the Run command and then re-enter a new Run command. The  button can be disabled when o2-02 is set to 0. |
| Motor starting torque is too low. | <i>Refer to Motor Performance Fine-Tuning on page 296</i> |
| Frequency reference value is too low or the drive does not accept the value entered. | Enter a value that is above the minimum output frequency determined by E1-09. |
| The sequence Start/Stop sequence is set up incorrectly. | <ul style="list-style-type: none"> If the drive is supposed to be set up for a 2-wire sequence, then ensure parameters H1-03 through H1-08 are not set to 0. If the drive is supposed to be set up for a 3-wire sequence, then one of the parameters H1-03 through H1-08 must be set to 0. Terminal S1 will become the Start, terminal S2 will become the Stop input. |

■ Motor Rotates in the Opposite Direction from the Run Command

| Cause | Possible Solutions |
|---|--|
| Phase wiring between the drive and motor is incorrect. | <ul style="list-style-type: none"> Check the motor wiring. Switch two motor cables (U, V, and W) to reverse motor direction. Connect drive output terminals U/T1, V/T2, and W/T3 in the right order to match motor terminals U, V, and W. Change the setting of parameter b1-14. |
| The forward direction for the motor is setup incorrectly. | <p>Typically, forward is designated as being counterclockwise when looking from the motor shaft (see figure below).</p>  <p>1. Forward Rotating Motor (looking down the motor shaft) 2. Motor Shaft</p> |

6.10 Troubleshooting without Fault Display

| Cause | Possible Solutions |
|---|--|
| The motor is running at almost 0 Hz and the Speed Search estimated the speed to be in the opposite direction. | <ul style="list-style-type: none"> Disable bi-directional search (b3-14 = "0") so that Speed Search is performed only in the specified direction. |

Note: Check the motor specifications for the forward and reverse directions. The motor specifications will vary depending on the manufacturer of the motor.

■ Motor Rotates in One Direction Only

| Cause | Possible Solutions |
|--|---|
| The drive prohibits reverse rotation. | <ul style="list-style-type: none"> Check parameter b1-04. Set the drive to allow the motor to rotate in reverse (b1-04 = 0). |
| A Reverse run signal has not been entered, although 3-wire sequence is selected. | <ul style="list-style-type: none"> Make sure that one of the input terminals S3 to S8 used for the 3-wire sequence has been set for reverse. |

◆ Motor is Too Hot

| Cause | Possible Solutions |
|---|---|
| The load is too heavy. | <p>If the load is too heavy for the motor, the motor will overheat as it exceeds its rated torque value for an extended period of time. Keep in mind that the motor also has a short-term overload rating in addition to the possible solutions provided below:</p> <ul style="list-style-type: none"> Reduce the load. Increase the acceleration and deceleration times. Check the values set for the motor protection (L1-01, L1-02) as well as the motor rated current (E2-01). Increase motor capacity. |
| The air around the motor is too hot. | <ul style="list-style-type: none"> Check the ambient temperature. Cool the area until it is within the specified temperature range. |
| The drive is operating in a vector control mode but Auto-Tuning has not yet been performed. | <ul style="list-style-type: none"> Perform Auto-Tuning. Calculate the motor value and reset the motor parameters. Change the motor control method to V/F Control (A1-02 = 0). |
| Insufficient voltage insulation between motor phases. | <p>When the motor cable is long, high voltage surges occur between the motor coils and drive switching. Normally, surges can reach up to three times the drive input power supply voltage (600 V for 200 V class, and 1200 V for 400 V class).</p> <ul style="list-style-type: none"> Use a motor with a voltage tolerance higher than the max voltage surge. Use a motor designed to work specifically with a drive when using a 400 V class unit. Install an AC reactor on the output side of the drive. The carrier frequency should be set to 2 kHz when installing an AC reactor. |
| The motor fan has stopped or is clogged. | Check the motor fan. |

◆ Drive Does Not Allow Selection the Desired Auto-Tuning Mode

| Cause | Possible Solutions |
|--|---|
| The desired Auto-Tuning mode is not available for the selected control mode. | <ul style="list-style-type: none"> Check if the desired tuning mode is available for the selected control mode. Refer to Auto-Tuning on page 109. Change the motor control method by setting A1-02. |

◆ oPE02 Error Occurs When Lowering the Motor Rated Current Setting

| Cause | Possible Solutions |
|---|--|
| Motor rated current and the motor no-load current setting in the drive are incorrect. | <ul style="list-style-type: none"> The user is trying to set the motor rated current in E2-01 to a value lower than the no-load current set in E2-03. Make sure that value set in E2-01 is higher than E2-03. If it is necessary to set E2-01 lower than E2-03, first lower the value set to E2-03, then change the setting in E2-01 as needed. |

◆ Motor Stalls during Acceleration or Acceleration Time is Too Long

| Cause | Possible Solutions |
|---|--|
| Torque limit has been reached or current suppression keeps the drive from accelerating. | Take the following steps to resolve the problem: <ul style="list-style-type: none"> Reduce the load. Increase motor capacity. |
| Load is too heavy. | Note: Although the drive has a Stall Prevention function and a Torque Compensation Limit function, accelerating too quickly or trying to drive an excessively large load can exceed the capabilities of the motor. |
| Torque limit is not set properly. | Check the torque limit setting. |
| Frequency reference is too low. | <ul style="list-style-type: none"> Check the maximum output frequency (E1-04). Increase E1-04 if it is set too low. |
| | Check U1-01 for proper frequency reference. |
| | Check if a frequency reference signal switch has been set to one of the multi-function input terminals. |
| Load is too heavy. | Check for low gain level set to terminals A1, A2, or A3 (H3-03, H3-11, H3-07). |
| | <ul style="list-style-type: none"> Reduce the load so that the output current remains within the motor rated current. In extruder and mixer applications, the load will sometimes increase as the temperature drops. |
| | <ul style="list-style-type: none"> Increase the acceleration time. Check if the mechanical brake is fully releasing as it should. |
| Acceleration time has been set too long. | Check if the acceleration time parameters have been set too long (C1-01, C1-03, C1-05, C1-07). |

| Cause | Possible Solutions |
|---|---|
| Motor characteristics and drive parameter settings are incompatible with one another. | <ul style="list-style-type: none"> Set the correct V/f pattern so that it matches the characteristics of the motor being used. Check the V/f pattern set to E1-03. Execute Rotational Auto-Tuning. |
| Although the drive is operating in Open Loop Vector motor control method, Auto-Tuning has not been performed. | <ul style="list-style-type: none"> Perform Auto-Tuning. Calculate motor data and reset motor parameters. Switch to V/f Control (A1-02 = 0). |
| Incorrect frequency reference setting. | <ul style="list-style-type: none"> Check the multi-function analog input settings. Multi-function analog input terminal A1, A2, or A3 is set for frequency gain (H3-02, H3-10, or H3-06 is set to "1"), but there is no voltage or current input provided. Make sure H3-02, H3-10, and H3-06 are set to the proper values. See if the analog input value is set to the right value (U1-13 to U1-15). |
| The Stall Prevention level during acceleration and deceleration set too low. | <ul style="list-style-type: none"> Check the Stall Prevention level during acceleration (L3-02). If L3-02 is set too low, acceleration may be taking too long. Increase L3-02. |
| The Stall Prevention level during run has been set too low. | <ul style="list-style-type: none"> Check the Stall Prevention level during run (L3-06). If L3-06 is set too low, speed will drop as the drive outputs torque. Increase the setting value. |
| Drive reached the limitations of the V/f motor control method. | <ul style="list-style-type: none"> The motor cable may be long enough (over 50 m) to require Auto-Tuning for line-to-line resistance. Be aware that V/f Control is comparatively limited when it comes to producing torque at low speeds. Consider switching to Open Loop Vector Control. |

◆ Drive Frequency Reference Differs from the Controller Frequency Reference Command

| Cause | Possible Solutions |
|--|--|
| The analog input gain and bias for the frequency reference input are set to incorrect values. | <ul style="list-style-type: none"> Check the gain and bias settings for the analog inputs that are used to set the frequency reference. Check parameters H3-03 and H3-04 for input A1, check parameters H3-11 and H3-12 for input A2, and check parameters H3-07 and H3-08 for input A3. Set these parameters to the appropriate values. |
| A frequency bias signal is being entered via analog input terminals A1 to A3. | <ul style="list-style-type: none"> If more than one of multi-function analog inputs A1 to A3 is set for frequency reference bias (H3-02, H3-10, or H3-06 is set to "0"), then the sum of all signals builds the frequency reference. Make sure that H3-02, H3-10, and H3-06 are set appropriately. Check the input level set for terminals A1 to A3 (U1-13 to U1-15). |
| PID control is enabled, and the drive is consequently adjusting the output frequency to match the PID setpoint. The drive will only accelerate to the maximum output frequency set in E1-04 while PID control is active. | If PID control is not necessary for the application, disable it by setting b5-01 to "0". |

◆ Excessive Motor Oscillation and Erratic Rotation

| Cause | Possible Solutions |
|--|---|
| Poor balance between motor phases. | Check drive input power voltage to ensure that it provides stable power. |
| Hunting prevention function is disabled. | <ul style="list-style-type: none"> Enable Hunting Prevention (n1-01 = 1). Increase the AFR gain (n2-01) or the AFR time constant (n2-02). |

◆ Deceleration Takes Longer Than Expected with Dynamic Braking Enabled

| Cause | Possible Solutions |
|--|---|
| L3-04 is set incorrectly. | <ul style="list-style-type: none"> Check the Stall Prevention level during deceleration (L3-04). If a dynamic braking option has been installed, disable Stall Prevention during deceleration (L3-04 = 0). |
| The deceleration time is set too long. | Set deceleration to more appropriate time (C1-02, C1-04, C1-06, C1-08). |
| Insufficient motor torque. | <ul style="list-style-type: none"> Assuming parameter settings are normal and that no overvoltage occurs when there is insufficient torque, it is likely that the demand on the motor has exceeded the motor capacity. Use a larger motor. |
| Reaching the torque limit. | <ul style="list-style-type: none"> Check the settings for the torque limit (L7-01 through L7-04). If the torque limit is enabled, deceleration might take longer than expected because the drive cannot output more torque than the limit setting. Ensure the torque limit is set to a high enough value. Increase the torque limit setting. If multi-function analog input terminal A1, A2, or A3 is set to torque limit (H3-02, H3-10, or H3-06 equals 10, 11, 12, or 15), ensure that the analog input levels are set to the correct levels. Ensure H3-02, H3-10, and H3-06 are set to the right levels. Ensure the analog input is set to the correct value (U1-13 to U1-15). |
| Load exceeded the internal torque limit determined by the drive rated current. | Switch to a larger capacity drive. |

◆ Load Falls When Brake is Applied (Hoist-Type Applications)

| Cause | Possible Solutions |
|--|---|
| The timing for the brake to close and release is not set properly. | Refer to Notes on Controlling the Brake when Using the Hoist Application Preset on page 106 . |
| Insufficient DC Injection Braking. | Increase the amount of DC Injection Braking (b2-02). |

6.10 Troubleshooting without Fault Display

◆ Noise From Drive or Output Lines When the Drive is Powered On

| Cause | Possible Solutions |
|---|--|
| Relay switching in the drive generates excessive noise. | <ul style="list-style-type: none"> Lower the carrier frequency (C6-02). Install a noise filter on the input side of drive input power. Install a noise filter on the output side of the drive. Place the wiring inside a metal conduit to shield it from switching noise. Ground the drive and motor properly. Separate the main circuit wiring and the control lines. Make sure wires and the motor have been properly grounded. |

◆ Earth Leakage Circuit Breaker (ELCB) Trips During Run

| Cause | Possible Solutions |
|---------------------------------------|--|
| Excessive leakage current trips ELCB. | <ul style="list-style-type: none"> Increase the ELCB sensitivity or use ELCB with a higher threshold. Lower the carrier frequency (C6-02). Reduce the length of the cable used between the drive and the motor. Install a noise filter or reactor on the output side of the drive. Set the carrier frequency to 2 kHz when connecting a reactor. |

◆ Connected Machinery Vibrates When Motor Rotates

■ Unexpected Noise from Connected Machinery

| Cause | Possible Solutions |
|--|---|
| The carrier frequency is at the resonant frequency of the connected machinery. | Adjust the carrier frequency using parameters C6-02 through C6-05. |
| The drive output frequency is the same as the resonant frequency of the connected machinery. | <ul style="list-style-type: none"> Adjust the parameters used for the Jump frequency function (d3-01 through d3-04) to skip the problem-causing bandwidth. Place the motor on a rubber pad to reduce vibration. |

Note: The drive may have trouble assessing the status of the load due to white noise generated from using Swing PWM (C6-02 = 7 to A).

■ Oscillation or Hunting

| Cause | Possible Solutions |
|--|--|
| Insufficient tuning. | Perform Auto-Tuning. Refer to Motor Performance Fine-Tuning on page 296 . |
| Gain is too low when using PID control. | Refer to b5: PID Control on page 152 for details. |
| The frequency reference is assigned to an external source and the signal is noisy. | <ul style="list-style-type: none"> Ensure that noise is not affecting the signal lines. Separate main circuit wiring and control circuit wiring. Use twisted-pair cables or shielded wiring for the control circuit. Increase the analog input time filter constant (H3-13). |
| The cable between the drive and motor is too long. | <ul style="list-style-type: none"> Perform Auto-Tuning. Reduce the length of the cable. |

◆ PID Output Fault

| Cause | Possible Solutions |
|---|---|
| No PID feedback input. | <ul style="list-style-type: none"> Check the multi-function analog input terminal settings. Set multi-function analog input terminal A1, A2, or A3 for PID feedback (H3-02, H3-10, or H3-06 = "B"). A signal input to the terminal selection for PID feedback is needed. Check the connection of the feedback signal. Check the various PID-related parameter settings. No PID feedback input to the terminal causes the value detected to be 0, causing a PID fault and the drive to operate at max frequency. |
| The level of detection and the target value do not correspond with each other. | <ul style="list-style-type: none"> PID control keeps the difference between target and detection values at 0. Set the input level for the values relative to one another. Use analog input gains H3-03 and H3-11 to adjust PID target and feedback signal scaling. |
| Reverse drive output frequency and speed detection. When output frequency rises, the sensor detects a speed decrease. | Set PID output for reverse characteristics (b5-09 = 1). |
| Adjustment made to PID parameter settings are insufficient. | Refer to b5: PID Control on page 152 for details. |

◆ Insufficient Starting Torque

| Cause | Possible Solutions |
|---|---|
| Auto-Tuning has not yet been performed (required for vector control modes). | Perform Auto-Tuning. Refer to Motor Performance Fine-Tuning on page 296 . |
| The control mode was changed after performing Auto-Tuning. | Perform Auto-Tuning again. |
| Only Stationary Auto-Tuning was performed. | Perform Rotational Auto-Tuning. |

◆ Motor Rotates After the Drive Output is Shut Off (Motor Rotates During DC Injection Braking)

| Cause | Possible Solutions |
|---|--|
| DC Injection Braking is set too low and the drive cannot decelerate properly. | <ul style="list-style-type: none"> Adjust the DC Injection braking settings. Increase the current level for DC Injection Braking (b2-02). Increase the DC Injection Braking time at stop (b2-04). |
| The stopping method is set so that the drive coasts to stop. | Set b1-03 (Stopping Method Selection) to 0 or 2. |

◆ Output Frequency is not as High as Frequency Reference

| Cause | Possible Solutions |
|---|--|
| Frequency reference is set within the range of the Jump frequency. | <ul style="list-style-type: none"> Adjust the parameters used for the Jump frequency function (d3-01, d3-02, d3-03). Enabling the Jump frequency prevents the drive from outputting the frequencies specified in the Jump range. |
| Upper limit for the frequency reference has been exceeded. | <ul style="list-style-type: none"> Set the maximum output frequency and the upper limit for the frequency reference to more appropriate values (E1-04, d2-01). The following calculation yields the upper value for the output frequency = $E1-04 \times d2-01 / 100$ |
| Large load triggered Stall Prevention function during acceleration. | <ul style="list-style-type: none"> Reduce the load. Adjust the Stall Prevention level during acceleration (L3-02). |

◆ Buzzing Sound from Motor at 2 kHz

| Cause | Possible Solutions |
|---|---|
| Exceeded 110% of the rated output current of the drive while operating at low speeds. | <ul style="list-style-type: none"> If the output current rises too high at low speeds, the carrier frequency is automatically reduced and causes a whining or buzzing sound. If the sound is coming from the motor, disable carrier frequency derating (L8-38 = 0). Disabling the automatic carrier frequency derating increases the chances of an overload fault (oL2). Switch to a larger capacity motor if oL2 faults occur too frequently. |

◆ Unstable Motor Speed when Using PM

| Cause | Possible Solutions |
|---|--|
| The motor code for the PM motor (E5-01 or T2-02) is set incorrectly (Yaskawa motors only). | Refer to <i>Motor Performance Fine-Tuning on page 296</i> for details. |
| Drive is attempting to operate the motor beyond the speed control range listed in the specifications. | Check the speed control range and adjust the speed accordingly. |
| Motor hunting occurs. | Refer to <i>Motor Performance Fine-Tuning on page 296</i> for details. |
| Hunting occurs at start. | Increase the S-curve time at the start of acceleration (C2-01). |
| Too much current is flowing through the drive. | <ul style="list-style-type: none"> Enter the correct motor code for the PM motor being used into E5-01. For special-purpose motors, enter the correct data to all E5 parameters according to the test report provided for the motor. |

◆ Motor Does Not Restart after Power Loss

| Cause | Possible Solutions |
|---|--|
| The Run command was not issued again when power was restored. | <ul style="list-style-type: none"> Check the sequence and wiring that has been set up to enter the Run command. A relay should be set up to make sure the Run command remains enabled throughout any power loss. |
| The relay that is supposed to maintain the Run command has been switched off. | Check wiring and circuitry for the relay intended to keep the Run command enabled. |



Periodic Inspection & Maintenance

This chapter describes the periodic inspection and maintenance of the drive to ensure that it receives the proper care to maintain overall performance.

| | |
|--|------------|
| 7.1 SECTION SAFETY | 344 |
| 7.2 INSPECTION | 347 |
| 7.3 PERIODIC MAINTENANCE | 349 |
| 7.4 COOLING FAN AND CIRCULATION FAN | 351 |
| 7.5 DRIVE REPLACEMENT | 369 |

7.1 Section Safety

DANGER

Electrical Shock Hazard

Do not connect or disconnect wiring while the power is on.

Failure to comply will result in death or serious injury.

Before servicing, disconnect all power to the equipment. The internal capacitor remains charged even after the power supply is turned off. The charge indicator LED will extinguish when the DC bus voltage is below 50 Vdc. To prevent electric shock, wait for at least the time specified on the warning label once all indicators are OFF, and then measure the DC bus voltage level to confirm it has reached a safe level.

Never connect or disconnect wiring, remove connectors or option cards, or replace the cooling fan while the power is on.

Failure to comply will result in death or serious injury.

Before servicing, disconnect all power to the equipment. The internal capacitor remains charged even after the power supply is turned off.

WARNING

Electrical Shock Hazard

Do not operate equipment with covers removed.

Failure to comply could result in death or serious injury.

The diagrams in this section may show drives without covers or safety shields to show details. Be sure to reinstall covers or shields before operating the drives and run the drives according to the instructions described in this manual.

Always ground the motor-side grounding terminal.

Improper equipment grounding could result in death or serious injury by contacting the motor case.

Do not remove covers or touch circuit boards while the power is on.

Failure to comply could result in death or serious injury.

Do not allow unqualified personnel to perform work on the drive.

Failure to comply could result in death or serious injury.

Installation, maintenance, inspection, and servicing must be performed only by authorized personnel familiar with installation, adjustment, and maintenance of AC drives.

Do not perform work on the drive while wearing loose clothing, jewelry or without eye protection.

Failure to comply could result in death or serious injury.

Remove all metal objects such as watches and rings, secure loose clothing, and wear eye protection before beginning work on the drive.

Do not touch any terminals before the capacitors have fully discharged.

Failure to comply could result in death or serious injury.

Before wiring terminals, disconnect all power to the equipment. The internal capacitor remains charged even after the power supply is turned off. After shutting off the power, wait for at least the amount of time specified on the drive before touching any components.

⚠ WARNING**Fire Hazard**

Tighten all terminal screws to the specified tightening torque.

Loose electrical connections could result in death or serious injury by fire due to overheating of electrical connections.

Do not use an improper voltage source.

Failure to comply could result in death or serious injury by fire.

Verify that the rated voltage of the drive matches the voltage of the incoming power supply before applying power.

Do not use improper combustible materials.

Failure to comply could result in death or serious injury by fire.

Attach the drive to metal or other noncombustible material.

NOTICE

Observe proper electrostatic discharge procedures (ESD) when handling the drive and circuit boards.

Failure to comply may result in ESD damage to the drive circuitry.

Follow cooling fan replacement instructions. The cooling fan cannot operate properly when it is installed incorrectly and could seriously damage the drive.

Follow the instructions in this manual to replace the cooling fan, making sure that the label is on top before inserting the cooling fan into the drive. To ensure maximum useful product life, replace both cooling fans when performing maintenance.

Never connect or disconnect the motor from the drive while the drive is outputting voltage.

Improper equipment sequencing could result in damage to the drive.

Do not use unshielded cable for control wiring.

Failure to comply may cause electrical interference resulting in poor system performance. Use shielded, twisted-pair wires and ground the shield to the ground terminal of the drive.

Do not allow unqualified personnel to use the product.

Failure to comply could result in damage to the drive or braking circuit.

Maintenance, inspection, and replacement of parts must be performed only by authorized personnel familiar with installation, adjustment and maintenance of AC drives.

Do not modify the drive circuitry.

Failure to comply could result in damage to the drive and will void warranty.

Yaskawa is not responsible for any modification of the product made by the user. This product must not be modified.

Check all the wiring to ensure that all connections are correct after installing the drive and connecting any other devices.

Failure to comply could result in damage to the drive.

Comply with proper wiring practices.

The motor may run in reverse if the phase order is backward.

Connect motor input terminals U, V and W to drive output terminals U/T1, V/T2, and W/T3. The phase order for the drive and motor should match.

NOTICE

Frequently switching the drive power supply to stop and start the motor can damage the drive.

To get the full performance life out of the electrolytic capacitors and circuit relays, refrain from switching the drive power supply off and on more than once every 30 minutes. Frequent use can damage the drive. Use the drive to stop and start the motor.

Do not operate damaged equipment.

Failure to comply could result in further damage to the equipment.

Do not connect or operate any equipment with visible damage or missing parts.

7.2 Inspection

Power electronics have limited life and may exhibit changes in characteristics or performance deterioration after years of use under normal conditions. To help avoid such problems, it is important to perform preventive maintenance and periodic inspection on the drive.

Drives contain a variety of power electronics such as power transistors, semiconductors, capacitors, resistors, fans, and relays. The electronics in the drive serve a critical role in maintaining proper motor control.

Follow the inspection lists provided in this chapter as a part of a regular maintenance program.

Note: The drive will require more frequent inspection if it is placed in harsh environments, such as:

- High ambient temperatures
- Frequent starting and stopping
- Fluctuations in the AC supply or load
- Excessive vibrations or shock loading
- Dust, metal dust, salt, sulfuric acid, chlorine atmospheres
- Poor storage conditions.

Perform the first equipment inspection one to two years after installation.

◆ Recommended Daily Inspection

Table 7.1 outlines the recommended daily inspection for Yaskawa drives. Check the following items on a daily basis to avoid premature deterioration in performance or product failure. Copy this checklist and mark the “Checked” column after each inspection.

Table 7.1 General Recommended Daily Inspection Checklist

| Inspection Category | Inspection Points | Corrective Action | Checked |
|----------------------|--|---|---------|
| Motor | Inspect for abnormal oscillation or noise coming from the motor. | <ul style="list-style-type: none"> • Check the load coupling. • Measure motor vibration. • Tighten all loose components. | |
| Cooling | Inspect for abnormal heat generated from the drive or motor and visible discoloration. | <ul style="list-style-type: none"> • Check for excessive load. • Loose connections • Check for dirty heatsink or motor. • Ambient temperature | |
| | Inspect drive cooling fan and circulation fan operation. | <ul style="list-style-type: none"> • Check for clogged or dirty fan. • Check fan operation drive parameter. | |
| Environment | Verify the drive environment complies with the specifications listed in <i>Installation Environment on page 40</i> . | <ul style="list-style-type: none"> • Eliminate the source of contaminants or correct poor environment. | |
| Load | The drive output current should not be higher than the motor or drive rating for an extended period of time. | <ul style="list-style-type: none"> • Check for excessive load. • Check the motor parameter settings of the drive. | |
| Power Supply Voltage | Check main power supply and control voltages. | <ul style="list-style-type: none"> • Correct the voltage or power supply to within nameplate specifications. • Verify all main circuit phases. | |

◆ Recommended Periodic Inspection

Table 7.2 outlines the recommended periodic inspections for Yaskawa drive installations. Although periodic inspections should generally be performed once a year; the drive may require more frequent inspection in harsh environments or with rigorous use. Operating and environmental conditions, along with experience in each application, will determine the actual inspection frequency for each installation. Periodic inspection will help to avoid premature deterioration in performance or product failure. Copy this checklist and mark the “Checked” column after each inspection.

■ Periodic Inspection

WARNING! Electrical Shock Hazard. Do not inspect, connect, or disconnect any wiring while the power is on. Failure to comply can result in serious personal injury. Before servicing the drive, disconnect all power to the equipment. The internal capacitor remains charged even after the power supply is turned off. After shutting off the power, wait for at least the amount of time specified on the drive before touching any components.

Table 7.2 Periodic Inspection Checklist

| Inspection Area | Inspection Points | Corrective Action | Checked |
|--|--|--|---------|
| Main Circuit Periodic Inspection | | | |
| General | <ul style="list-style-type: none"> Inspect equipment for discoloration from overheating or deterioration. Inspect for damaged or deformed parts. | <ul style="list-style-type: none"> Replace damaged components as required. The drive has few serviceable parts and may require complete drive replacement. | |
| | <ul style="list-style-type: none"> Inspect for dirt, foreign particles, or dust collection on components. | <ul style="list-style-type: none"> Inspect enclosure door seal if used. Use dry air to clear away foreign matter. Use a pressure of 39.2×10^4 to 58.8×10^4 Pa (4 - 6 kg·cm²). Replace components if cleaning is not possible. | |
| Conductors and Wiring | <ul style="list-style-type: none"> Inspect wiring and connections for discoloration, damage, or heat stress. Inspect wire insulation and shielding for wear. | <ul style="list-style-type: none"> Repair or replace damaged wiring. | |
| Terminals | <ul style="list-style-type: none"> Inspect terminals for stripped, damaged, or loose connections. | <ul style="list-style-type: none"> Tighten loose screws and replace damaged screws or terminals. | |
| Relays and Contactors | <ul style="list-style-type: none"> Inspect contactors and relays for excessive noise during operation. Inspect coils for signs of overheating such as melted or cracked insulation. | <ul style="list-style-type: none"> Check coil voltage for over or under voltage conditions. Replace damaged removable relays contactors or circuit board. | |
| Braking Resistors | <ul style="list-style-type: none"> Inspect for discoloration of heat stress on or around resistors. | <ul style="list-style-type: none"> Minor discoloration may be acceptable. If discoloration exists check for loose connections. | |
| Electrolytic Capacitor | <ul style="list-style-type: none"> Inspect for leaking, discoloration, or cracks. Check if the cap has come off, for any swelling, or if the sides have burst open. | <ul style="list-style-type: none"> The drive has few serviceable parts and may require complete drive replacement. | |
| Diode, IGBT (Power Transistor) | <ul style="list-style-type: none"> Inspect for dust or other foreign material collected on the surface. | <ul style="list-style-type: none"> Use dry air to clear away foreign matter. Use a pressure of 39.2×10^4 to 58.8×10^4 Pa (4 - 6 kg·cm²). | |
| Motor Periodic Inspection | | | |
| Operation Check | <ul style="list-style-type: none"> Check for increased vibration or abnormal noise. | <ul style="list-style-type: none"> Stop the motor and contact qualified maintenance personnel as required. | |
| Control Circuit Periodic Inspection | | | |
| General | <ul style="list-style-type: none"> Inspect terminals for stripped, damaged, or loose connections. Make sure all terminals have been properly tightened. | <ul style="list-style-type: none"> Tighten loose screws and replace damaged screws or terminals. If terminals are integral to a circuit board, then board or drive replacement may be required. | |
| Circuit Boards | <ul style="list-style-type: none"> Check for any odor, discoloration, and rust. Make sure connections are properly fastened and that no dust or oil mist has accumulated on the surface of the board. | <ul style="list-style-type: none"> Fix any loose connections. If an antistatic cloth or vacuum plunger can't be used, replace the board. Do not use any solvents to clean the board. Use dry air to clear away foreign matter. Use a pressure of 39.2×10^4 to 58.8×10^4 Pa (4 - 6 kg·cm²). The drive has few serviceable parts and may require complete drive replacement. | |
| Cooling System Periodic Inspection | | | |
| Cooling Fan, Circulation Fan Control Board Cooling Fan | <ul style="list-style-type: none"> Check for abnormal oscillation or unusual noise. Check for damaged or missing fan blades. | <ul style="list-style-type: none"> Replace as required. <i>Refer to Cooling Fan and Circulation Fan on page 351 for information on cleaning or replacing the fan.</i> | |
| Heatsink | <ul style="list-style-type: none"> Inspect for dust or other foreign material collected on the surface. | <ul style="list-style-type: none"> Use dry air to clear away foreign matter. Use a pressure of 39.2×10^4 to 58.8×10^4 Pa (4 - 6 kg·cm²). | |
| Air Duct | <ul style="list-style-type: none"> Inspect air intake and exhaust openings. They must be free from obstruction and properly installed. | <ul style="list-style-type: none"> Visually inspect the area. Clear obstructions and clean air duct as required. | |
| Display Periodic Inspection | | | |
| Digital Operator | <ul style="list-style-type: none"> Make sure data appears on the operator properly. Inspect for dust or other foreign material that may have collected on surrounding components. | <ul style="list-style-type: none"> Contact your Yaskawa representative if there is any trouble with the display or keypad. Clean the digital operator. | |

7.3 Periodic Maintenance

The drive has Maintenance Monitors that keep track of component wear. This feature provides advance maintenance warning and eliminates the need to shut down the entire system for unexpected problems. The drive allows the user to check predicted maintenance periods for the components listed below.

- Cooling Fan, Circulation Fan, Control Board Cooling Fan
- Electrolytic Capacitors
- Inrush Prevention Circuit
- IGBTs

For replacement parts, contact the distributor where the drive was purchased or contact Yaskawa directly.

◆ Replacement Parts

Table 7.3 contains the estimated performance life of components that require replacement during the life of the drive. Only use Yaskawa replacement parts for the appropriate drive model and revision.

Table 7.3 Estimated Performance Life

| Component | Estimated Performance Life |
|------------------------------|----------------------------|
| Cooling Fan, Circulation Fan | 10 years |
| Electrolytic Capacitors | 10 years <1> |

<1> The drive has few serviceable parts and may require complete drive replacement.

NOTICE: Estimated performance life based on specific usage conditions. These conditions are provided for the purpose of replacing parts to maintain performance. Some parts may require more frequent replacement due to poor environments or rigorous use. Usage conditions for estimated performance life:

- Ambient temperature: Yearly average of 40°C (IP00 enclosure)
- Load factor: 80% maximum
- Operation time: 24 hours a day

■ Performance Life Monitors Maintenance Monitors

The drive calculates the maintenance period for components that may require replacement during the life of the drive. A percentage of the maintenance period is displayed on the digital operator by viewing the appropriate monitor parameter.

When the maintenance period reaches 100%, there is increased risk that the drive may malfunction. Yaskawa recommends checking the maintenance period regularly to ensure maximum performance life.

Refer to *Recommended Periodic Inspection on page 348* for more details.

Table 7.4 Performance Life Monitors Used for Component Replacement

| Parameter | Component | Contents |
|-----------|---|--|
| U4-03 | Cooling Fan, Circulation Fan, Control Board Cooling Fan | Displays the accumulated operation time of the fan, from 0 to 99999 hours. This value is automatically reset to 0 once it reaches 99999. |
| U4-04 | | Displays the accumulated fan operation time as a percentage of the specified maintenance period. |
| U4-05 | DC Bus Capacitors | Displays the accumulated time the capacitors are used as a percentage of the specified maintenance period. |
| U4-06 | Inrush (pre-charge) Relay | Displays the number of times the drive is powered up as a percentage of the performance life of the inrush circuit. |
| U4-07 | IGBT | Displays the percentage of the maintenance period reached by the IGBTs. |

■ Alarm Outputs for Maintenance Monitors

An output can be set up to inform the user when a specific components has neared its expected performance life.

When one of multi-function digital output terminals has been assigned the maintenance monitor function (H2-□□ = 2F), the terminal will close when the cooling fan, DC bus capacitors, or DC bus pre-charge relay reach 90% of the expected performance life, or the IGBTs have reached 50% of their expect performance life. Additionally the digital operator will display an alarm like shown in **Table 7.5** to indicate the specific components that may need maintenance.

Table 7.5 Maintenance Alarms

| Alarm Display | | Function | Corrective Action |
|---------------|--------------|---|--------------------------|
| LED Operator | LCD Operator | | |
| LF-1<1> | LT-1 | The cooling fans have reached 90% of their designated life time. | Replace the cooling fan. |
| LF-2<1> | LT-2 | The DC bus capacitors have reached 90% of their designated life time. | Replace the drive. |

7.3 Periodic Maintenance

| Alarm Display | | Function | Corrective Action |
|---------------|--------------|--|--|
| LED Operator | LCD Operator | | |
| LT-3 <1> | LT-3 | The DC bus charge circuit has reached 90% of its designated life time. | Replace the drive. |
| LT-4 <1> | LT-4 | The IGBT's have reached 50% of their designated life time. | Check the load, carrier frequency, and output frequency. |
| TrPC <2> | TrPC | The IGBT's have reached 90% of their designated life time. | Replace the drive. |

<1> This alarm message will be output only if the Maintenance Monitor function is assigned to one of the digital outputs (H2-□□ = 2F). The alarm will also trigger a digital output that is programmed for alarm indication (H2-□□ = 10).

<2> This alarm message will always be output, even if the Maintenance Monitor function is not assigned to any of the digital outputs (H2-□□ = 2F). The alarm will also trigger a digital output that is programmed for alarm indication (H2-□□ = 10).

■ Related Drive Parameters

Parameters o4-03, o4-05, o4-07, and o4-09 can be used to reset a Maintenance Monitor back to zero after a specific component has been replaced. *Refer to Parameter Table on page 400* for details on parameter settings.

NOTICE: *If these parameters are not reset after the corresponding parts have been replaced, the Maintenance Monitor function will continue to count down the performance life from the value that was reached with the old part. If the Maintenance Monitor is not reset, the drive will not have the correct value of the performance life for the new component.*

7.4 Cooling Fan and Circulation Fan

NOTICE: Follow cooling fan replacement instructions. The cooling fan cannot operate properly when installed incorrectly and could seriously damage the drive. To ensure maximum useful product life, replace all cooling fans when performing maintenance.

Contact your Yaskawa representative or the nearest Yaskawa sales office to order replacement cooling fans as required.

For drives with multiple cooling fans, replace all the fans when performing maintenance to ensure maximum product performance life.

◆ Number of Fan

| Three-Phase 200 V Class | | | | Three-Phase 400 V Class | | | | |
|-------------------------|-------------|-----------------|------|-------------------------|-------------|-----------------|---------------------------|------|
| Model CIMR-A□ | Cooling Fan | Circulation Fan | Page | Model CIMR-A□ | Cooling Fan | Circulation Fan | Control Board Cooling Fan | Page |
| 2A0004 | – | – | – | 4A0002 | – | – | – | – |
| 2A0006 | – | – | – | 4A0004 | – | – | – | – |
| 2A0010 | – | – | – | 4A0005 | – | – | – | – |
| 2A0012 | – | – | – | 4A0007 | 1 | – | – | – |
| 2A0021 | 1 | – | 353 | 4A0009 | 1 | – | – | 353 |
| 2A0030 | 2 | – | | 4A0011 | 1 | – | – | |
| 2A0040 | 2 | – | | 4A0018 | 2 | – | – | |
| 2A0056 | 2 | – | | 4A0023 | 2 | – | – | |
| 2A0069 | 2 | – | | 4A0031 | 2 | – | – | |
| 2A0081 | 2 | – | | 4A0038 | 2 | – | – | |
| 2A0110 | 2 | – | 355 | 4A0044 | 2 | – | – | 355 |
| 2A0138 | 2 | – | | 4A0058 | 2 | – | – | |
| 2A0169 | 2 | – | 359 | 4A0072 | 2 | – | – | 357 |
| 2A0211 | 2 | – | | 4A0088 | 2 | – | – | |
| 2A0250 | 2 | – | | 4A0103 | 2 | – | – | 359 |
| 2A0312 | 2 | – | | 4A0139 | 2 | – | – | |
| 2A0360 | 3 | 1 | | 4A0165 | 2 | – | – | |
| 2A0415 | 3 | 1 | | 4A0208 | 2 | – | – | |
| – | – | – | – | 4A0250 | 3 | – | – | 363 |
| – | – | – | – | 4A0296 | 3 | – | – | |
| – | – | – | – | 4A0362 | 3 | 1 | – | |
| – | – | – | – | 4A0414 | 3 | 1 | – | |
| – | – | – | – | 4A0515 | 3 | 2 | 2 | 365 |
| – | – | – | – | 4A0675 | 3 | 2 | 2 | |

◆ Cooling Fan Component Names

WARNING! Electrical Shock Hazard. Do not connect or disconnect wiring while the power is on. Failure to comply can result in serious personal injury. Before servicing the drive, disconnect all power to the equipment. The internal capacitor remains charged even after the power supply is turned off. After shutting off the power, wait for at least the amount of time specified on the drive before touching any components.

CAUTION! Burn Hazard. Do not touch a hot drive heatsink. Failure to comply could result in minor or moderate injury. Shut off the power to the drive when replacing the cooling fan. To prevent burns, wait at least 15 minutes and ensure the heatsink has cooled down.

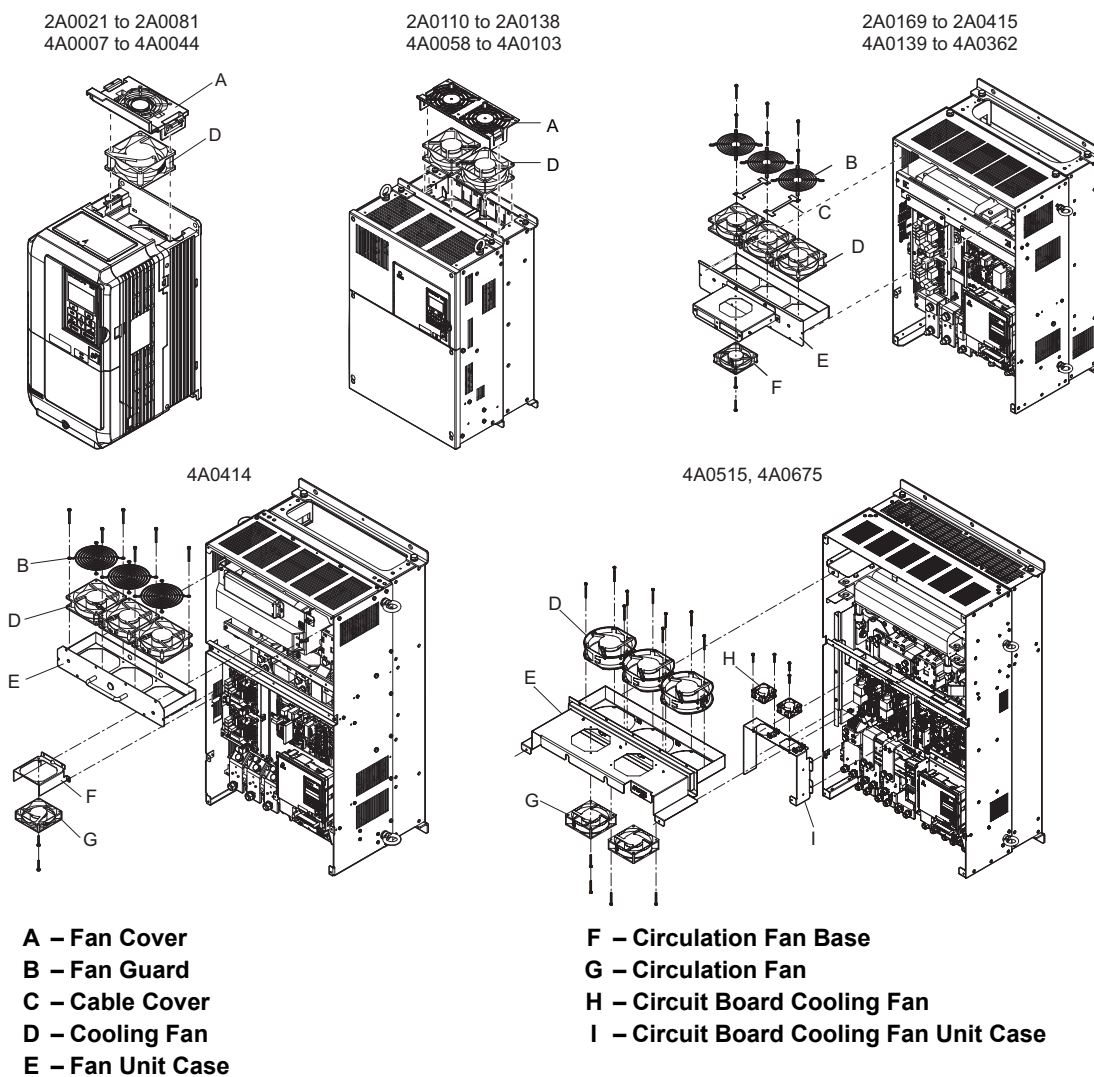


Figure 7.1 Cooling Fan Component Names

◆ Cooling Fan Replacement: 2A0021 to 2A0081 and 4A0007 to 4A0044

WARNING! *Electrical Shock Hazard. Do not connect or disconnect wiring while the power is on. Failure to comply can result in serious personal injury. Before servicing the drive, disconnect all power to the equipment. The internal capacitor remains charged even after the power supply is turned off. After shutting off the power, wait for at least the amount of time specified on the drive before touching any components.*

CAUTION! *Burn Hazard. Do not touch a hot drive heatsink. Failure to comply could result in minor or moderate injury. Shut off the power to the drive when replacing the cooling fan. To prevent burns, wait at least 15 minutes and ensure the heatsink has cooled down.*

NOTICE: *Prevent Equipment Damage. Follow cooling fan and circulation fan replacement instructions. Improper fan replacement could result in damage to equipment. When installing the replacement fan into the drive, make sure the fan is facing upwards. To ensure maximum useful product life, replace all fans when performing maintenance.*

■ Removing the Cooling Fan

1. Depress the right and left sides of the fan cover hooks and pull upward. Remove the fan cover from the top of the drive.

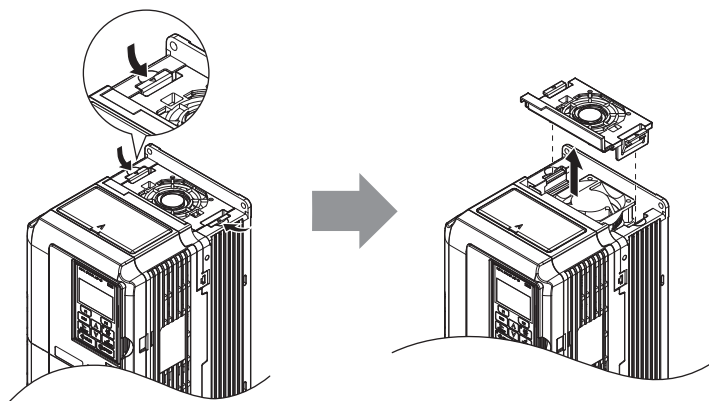


Figure 7.2 Removing the Fan Cover: 2A0021 to 2A0081, 4A0007 to 4A0044

2. Remove the cooling fan cartridge. Disconnect the pluggable connector and remove the fan.

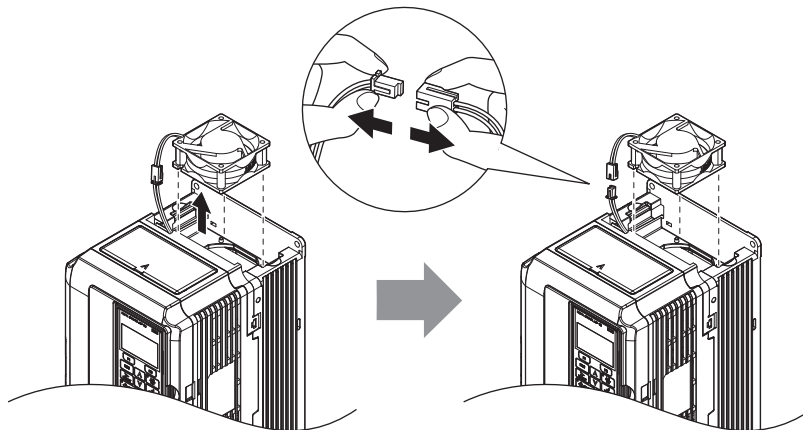
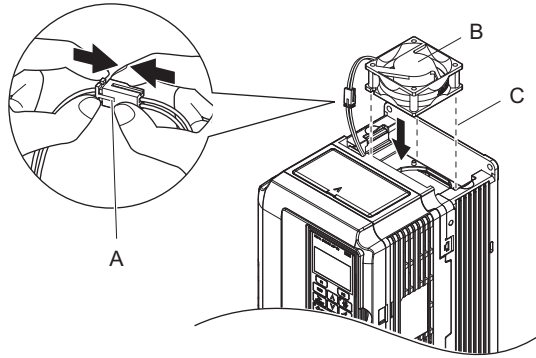


Figure 7.3 Removing the Cooling Fan: 2A0021 to 2A0081, 4A0007 to 4A0044

■ Installing the Cooling Fan

Reverse the procedure described above to reinstall the cooling fan.

1. Install the replacement fan into the drive, ensuring the alignment pins line up as shown in the figure below.



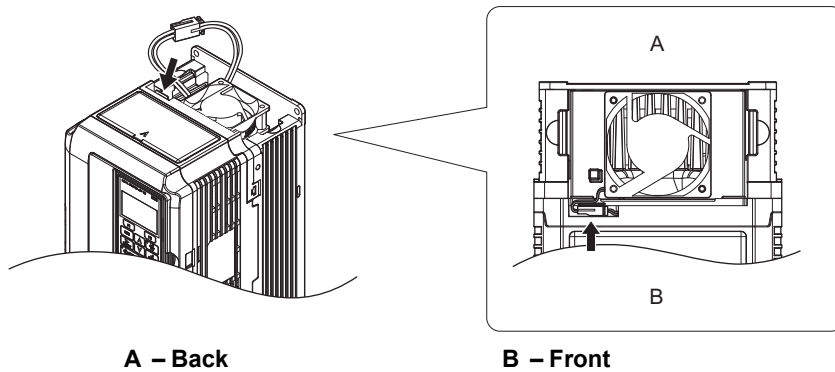
A – Push the connectors together so no space remains between them.

B – Label facing up

C – Make sure the alignment pins line up properly.

Figure 7.4 Installing the Cooling Fan: 2A0021 to 2A0081, 4A0007 to 4A0044

2. Make sure the power lines for the fan are properly connected, then place the cable back into the recess of the drive.



A – Back

B – Front

Figure 7.5 Cooling Fan Power Supply Connectors: 2A0021 to 2A0081, 4A0007 to 4A0044

3. While pressing in on the hooks on the left and right sides of the fan cover, guide the fan cover until it clicks back into place.

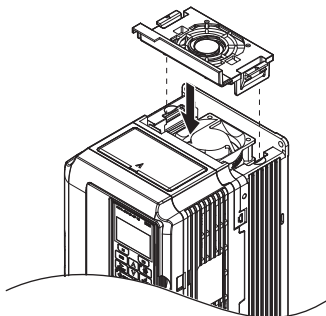


Figure 7.6 Reattach the Fan Cover: 2A0021 to 2A0081, 4A0007 to 4A0044

4. Turn the power supply back on and reset the cooling fan operation time for the Maintenance Monitor by setting o4-03 to 0.

◆ Cooling Fan Replacement: 2A0110 and 2A0138, 4A0058 and 4A0072

WARNING! *Electrical Shock Hazard. Do not connect or disconnect wiring while the power is on. Failure to comply can result in serious personal injury. Before servicing the drive, disconnect all power to the equipment. The internal capacitor remains charged even after the power supply is turned off. After shutting off the power, wait for at least the amount of time specified on the drive before touching any components.*

CAUTION! *Burn Hazard. Do not touch a hot drive heatsink. Failure to comply could result in minor or moderate injury. Shut off the power to the drive when replacing the cooling fan. To prevent burns, wait at least 15 minutes and ensure the heatsink has cooled down.*

NOTICE: *Prevent Equipment Damage. Follow cooling fan and circulation fan replacement instructions. Improper fan replacement could result in damage to equipment. When installing the replacement fan into the drive, make sure the fan is facing upwards. To ensure maximum useful product life, replace all fans when performing maintenance.*

■ Removing the Cooling Fan

1. While pressing in on the hooks located on the left and right sides of the fan cover, free the fan cover leading by lifting the back end first.

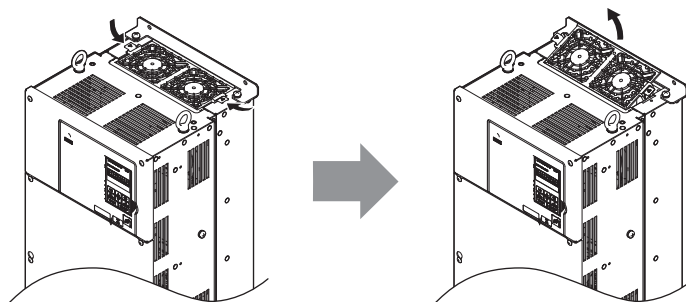


Figure 7.7 Removing the Cooling Fan Cover: 2A0110 and 2A0138, 4A0058 and 4A0072

2. Lift the fan cover out leading with the back end. Unplug the replay connector and free the fan cover from the drive.

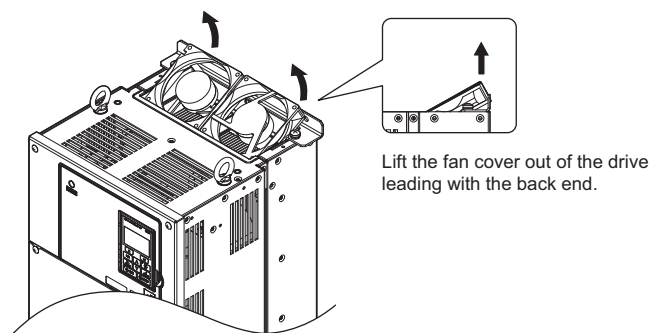


Figure 7.8 Removing the Cooling Fan: 2A0110 and 2A0138, 4A0058 and 4A0072

■ Installing the Cooling Fan

Reverse the procedure described above to reinstall the cooling fan.

1. Make sure the power lines for the fan are properly connected.
2. Place the power supply connectors and cable back into the recess of the drive.

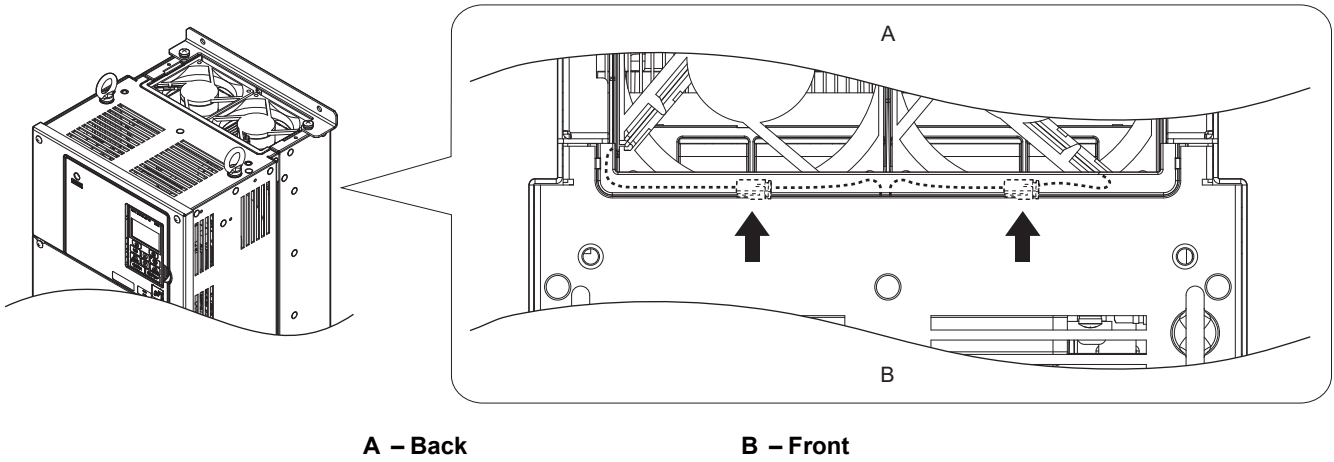


Figure 7.9 Cooling Fan Power Supply Connectors: 2A0110 and 2A0138, 4A0058 and 4A0072

3. Install the replacement fan into the drive.

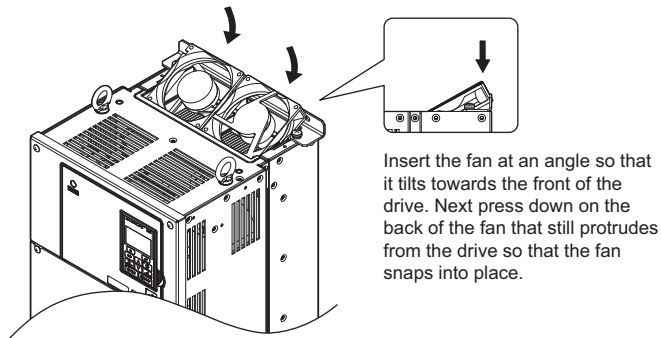


Figure 7.10 Installing the Cooling Fan: 2A0110 and 2A0138, 4A0058 and 4A0072

4. Angle the fan cover so the back end tilts up. Slide the cover into the small opening towards the front of the drive, and then guide the entire fan cover into place.

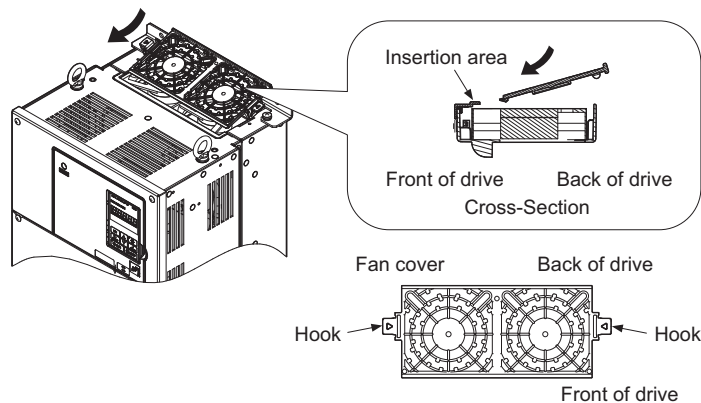


Figure 7.11 Reattach the Fan Cover: 2A0110 and 2A0138, 4A0058 and 4A0072

5. While pressing in on the hooks on the left and right sides of the fan cover, guide the fan cover until it clicks back into place.

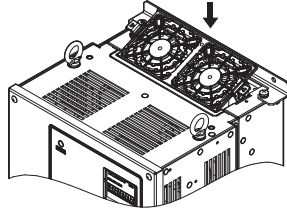


Figure 7.12 Reattach the Fan Cover: 2A0110 and 2A0138, 4A0058 to 4A0072

6. Turn the power supply back on and reset the cooling fan operation time for the Maintenance Monitor by setting o4-03 to 0.

◆ Cooling Fan Replacement: 4A0088 and 4A0103

WARNING! *Electrical Shock Hazard. Do not connect or disconnect wiring while the power is on. Failure to comply can result in serious personal injury. Before servicing the drive, disconnect all power to the equipment. The internal capacitor remains charged even after the power supply is turned off. After shutting off the power, wait for at least the amount of time specified on the drive before touching any components.*

CAUTION! *Burn Hazard. Do not touch a hot drive heatsink. Failure to comply could result in minor or moderate injury. Shut off the power to the drive when replacing the cooling fan. To prevent burns, wait at least 15 minutes and ensure the heatsink has cooled down.*

NOTICE: *Prevent Equipment Damage. Follow cooling fan and circulation fan replacement instructions. Improper fan replacement could result in damage to equipment. When installing the replacement fan into the drive, make sure the fan is facing upwards. To ensure maximum useful product life, replace all fans when performing maintenance.*

■ Removing the Cooling Fan

1. While pressing in on the hooks located on the left and right sides of the fan cover, free the fan cover leading by lifting the back end first.

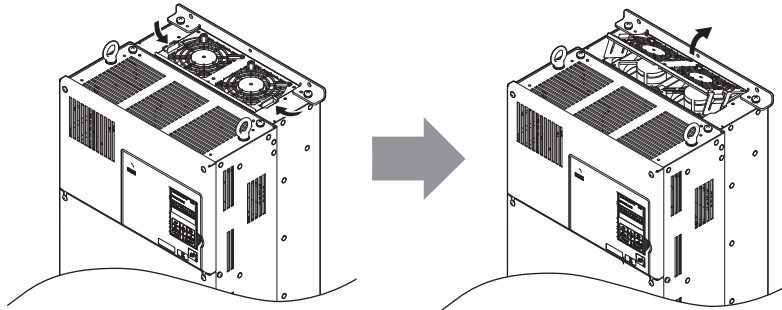


Figure 7.13 Removing the Cooling Fan Cover: 4A0088 and 4A0103

2. Lift the cooling fan directly up on the fan as shown below. Unplug the relay connector and free the fan from the drive.

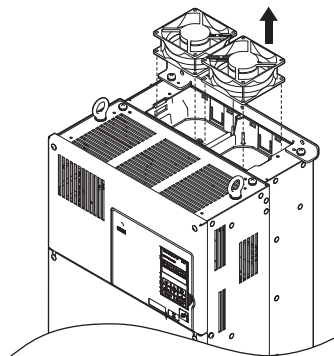


Figure 7.14 Removing the Cooling Fan: 4A0088 and 4A0103

■ Installing the Cooling Fan

Reverse the procedure described above to reinstall the cooling fan.

1. Install the replacement fan into the drive, ensuring the alignment pins line up as shown in the figure below.

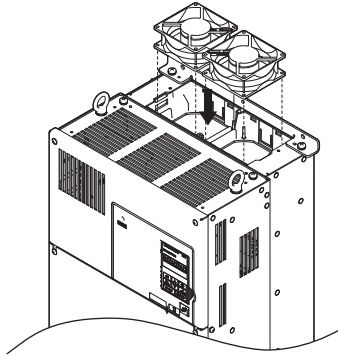
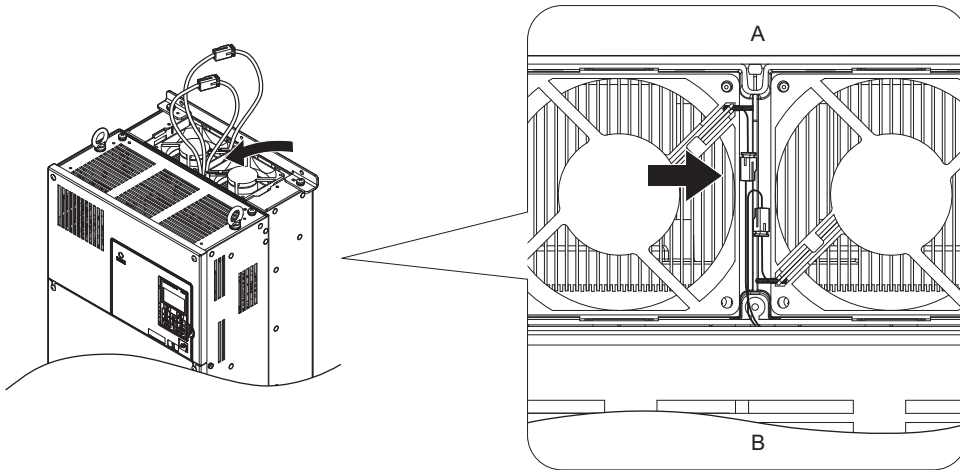


Figure 7.15 Installing the Cooling Fan: 4A0088 and 4A0103

2. Make sure the power lines for the fan are properly connected, then place the power supply connectors and cable back into the recess of the drive.



A – Back

B – Front

Figure 7.16 Cooling Fan Power Supply Connectors: 4A0088 and 4A0103

3. Angle the fan cover as shown and insert the connector tabs into the corresponding holes on the drive.

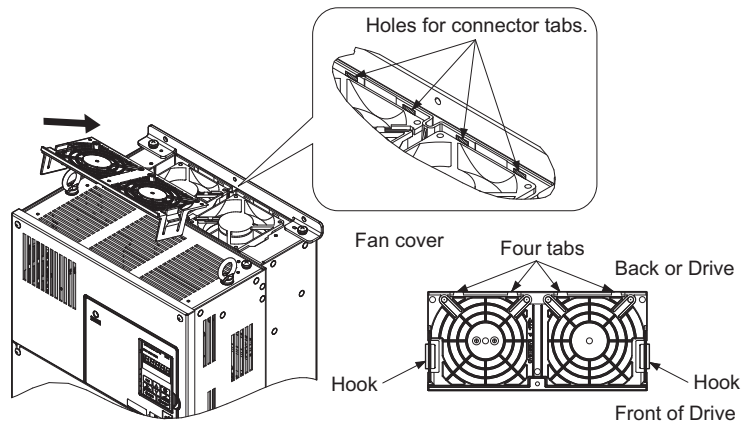


Figure 7.17 Reattach the Fan Cover: 4A0088 and 4A0103

4. While pressing in on the hooks on the left and right sides of the fan cover, guide the fan cover until it clicks back into place.

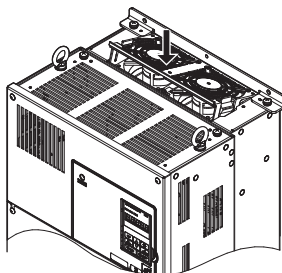


Figure 7.18 Reattach the Fan Cover: 4A0088 and 4A0103

5. Turn the power supply back on and reset the cooling fan operation time for the Maintenance Monitor by setting o4-03 to 0.

◆ Cooling Fan Replacement: 2A0169 to 2A0415, 4A0139 to 4A0362

WARNING! Electrical Shock Hazard. Do not connect or disconnect wiring while the power is on. Failure to comply can result in serious personal injury. Before servicing the drive, disconnect all power to the equipment. The internal capacitor remains charged even after the power supply is turned off. After shutting off the power, wait for at least the amount of time specified on the drive before touching any components.

CAUTION! Burn Hazard. Do not touch a hot drive heatsink. Failure to comply could result in minor or moderate injury. Shut off the power to the drive when replacing the cooling fan. To prevent burns, wait at least 15 minutes and ensure the heatsink has cooled down.

NOTICE: Prevent Equipment Damage. Follow cooling fan and circulation fan replacement instructions. Improper fan replacement could result in damage to equipment. When installing the replacement fan into the drive, make sure the fan is facing upwards. To ensure maximum useful product life, replace all fans when performing maintenance.

■ Removing and Disassembling the Cooling Fan Unit

1. Remove the terminal cover and front cover.
2. Remove the fan connector (CN6). Remove the fan connector (CN6, CN7) in models 2A0360, 2A0415, and 4A0362.

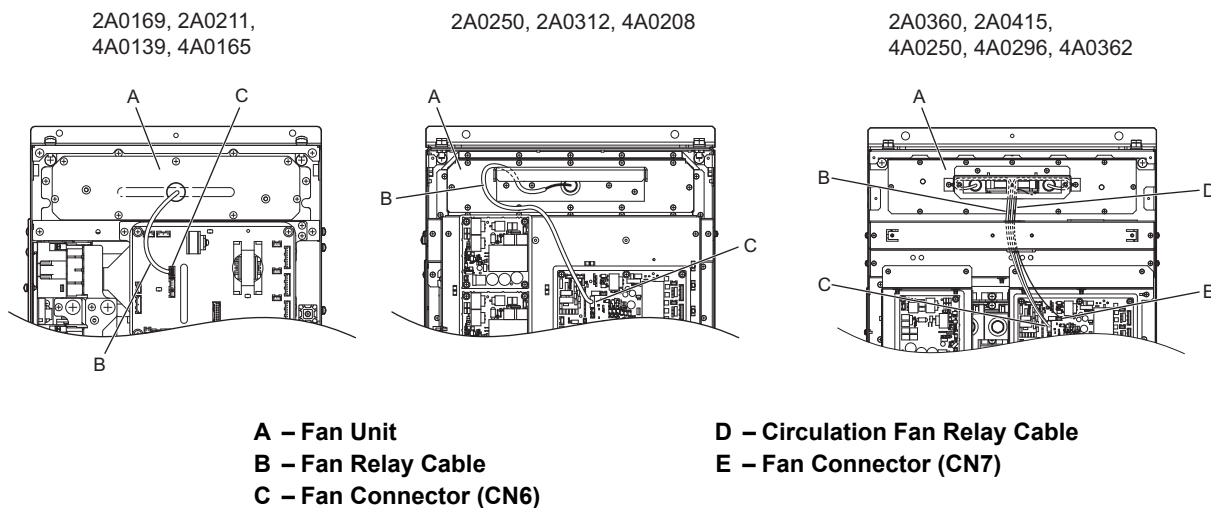


Figure 7.19 Cooling Fan Replacement: Fan Unit and Connectors

7.4 Cooling Fan and Circulation Fan

3. Remove the screws holding the fan unit in place and slide the fan unit out of the drive.

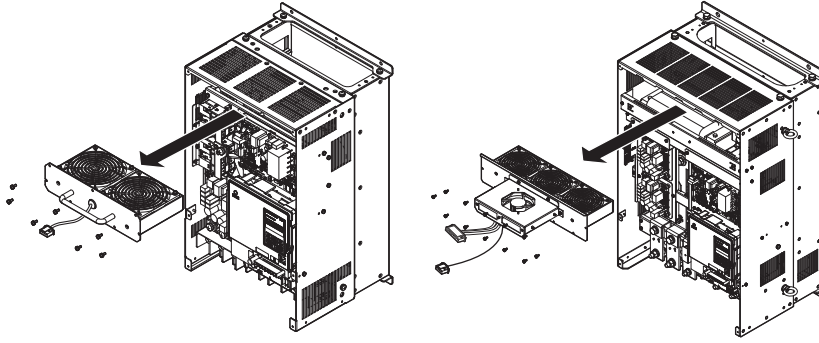


Figure 7.20 Removing the Fan Unit: 2A0169 to 2A0415, 4A0139 to 4A0362

4. Remove the fan guard and replace the cooling fans.

Note: Make sure the fan cable does not get pinched between parts when reassembling the fan unit.

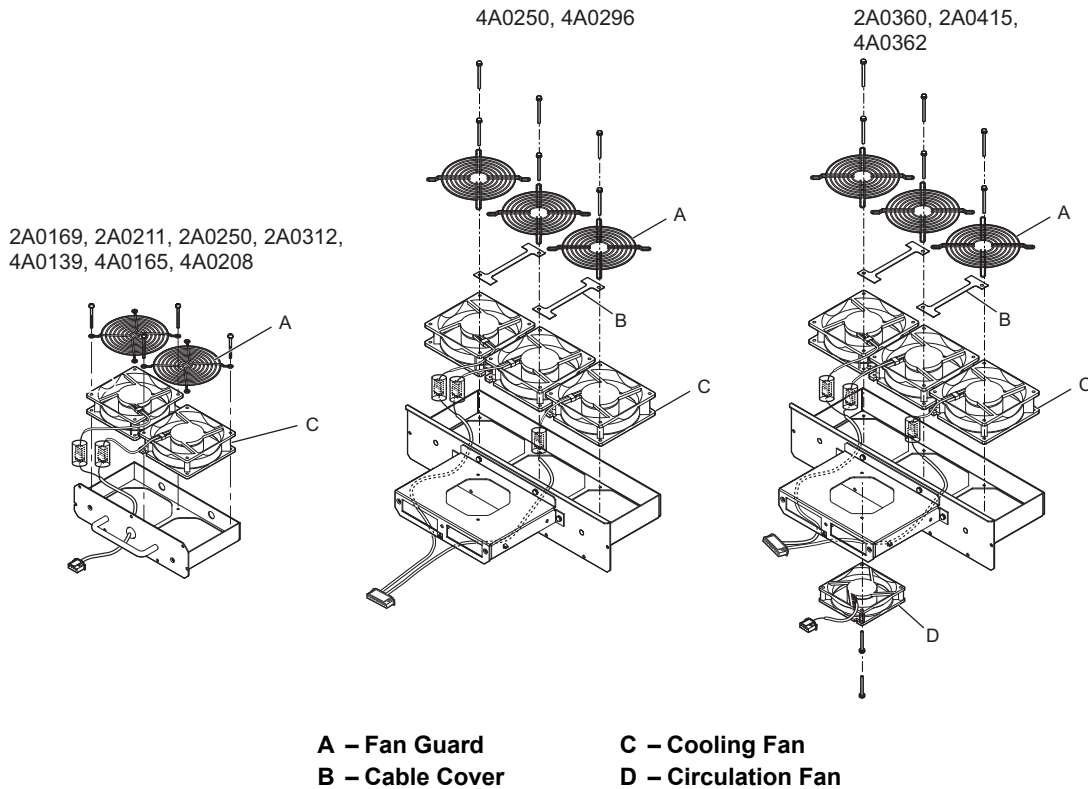
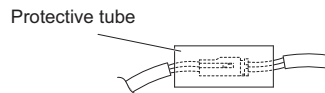


Figure 7.21 Fan Unit Disassembly: 2A0169 to 2A0415, 4A0139 to 4A0362

■ Cooling Fan Wiring: 2A0169, 2A0211, 4A0139, and 4A0165

1. Position the protective tube so that the fan connector sits in the center of the protective tube.



- Place the fan connector covered by the tube as shown in the drawings below.

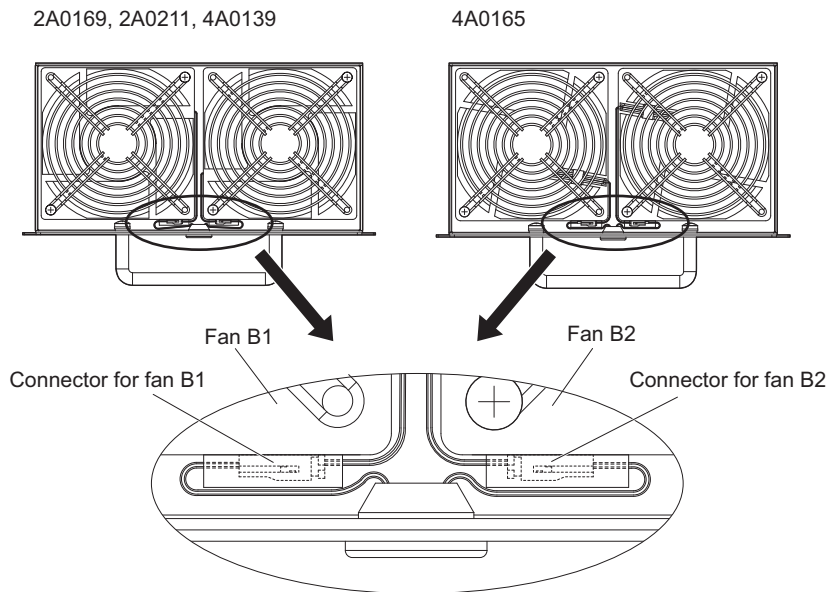
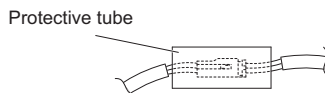


Figure 7.22 Cooling Fan Wiring: 2A0169, 2A0211, 4A0139 and 4A0165

- Make sure that the protective tube does not stick out beyond the fan guard.

■ Cooling Fan Wiring: 2A0250, 2A0312 and 4A0208

- Position the protective tube so that the fan connector sits in the center of the protective tube.



- Place the connector for fan B2 before the B1 connector and guide the lead wire for fan B2 so that it is held in place by the cable hook.

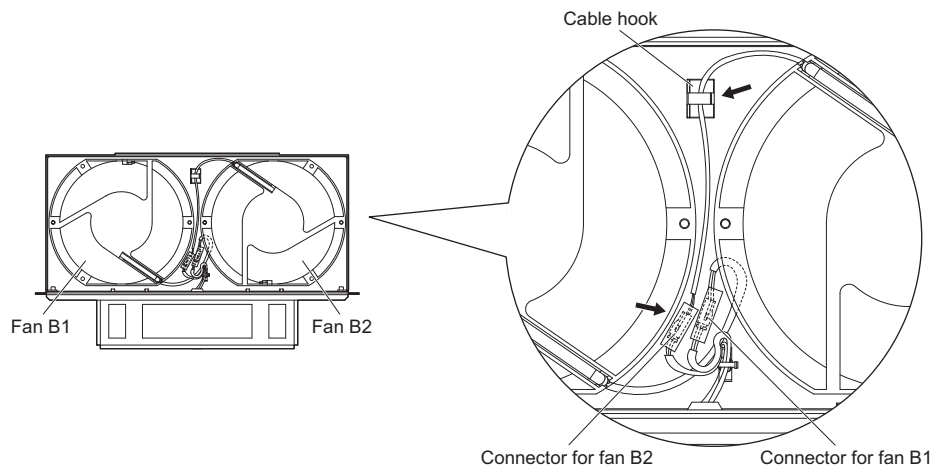
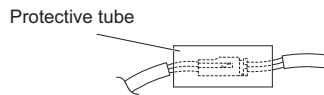


Figure 7.23 Cooling Fan Wiring: 2A0250, 2A0312 and 4A0208

- Make sure that the protective tube does not stick out beyond the fan guard.

■ Cooling Fan Wiring: 2A0360, 2A0415, 4A0250 to 4A0362

1. Position the protective tube so that the fan connector sits in the center of the protective tube.



2. The fan connector for fan B2 should be placed in front of the fan B1 connector between fans B1 and B2.
3. The connector for fan B3 should be pressed in between fan B2 and B3.

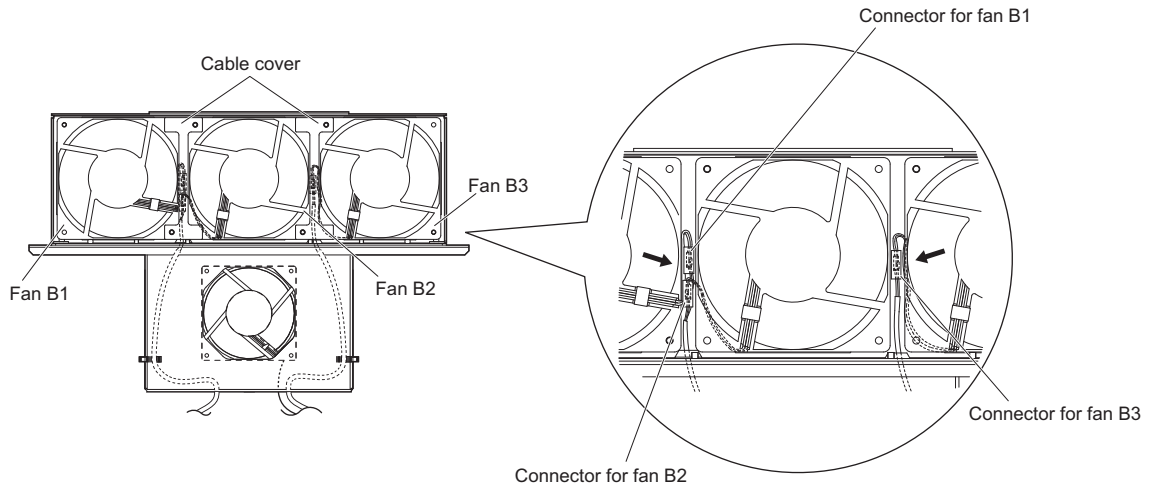


Figure 7.24 Cooling Fan Wiring: 2A0360, 2A0415, 4A0250 to 4A0362

4. Double check the relay connector to ensure that it is properly connected.
5. Reattach the cable cover to its original position and tighten the screws so that the fan guard holds the cable cover in place.

Note: Make sure the fan cable does not get pinched between parts when reassembling the fan unit.

■ Installing the Cooling Fan Unit

1. Reverse the procedure described above to reinstall the cooling fan unit.

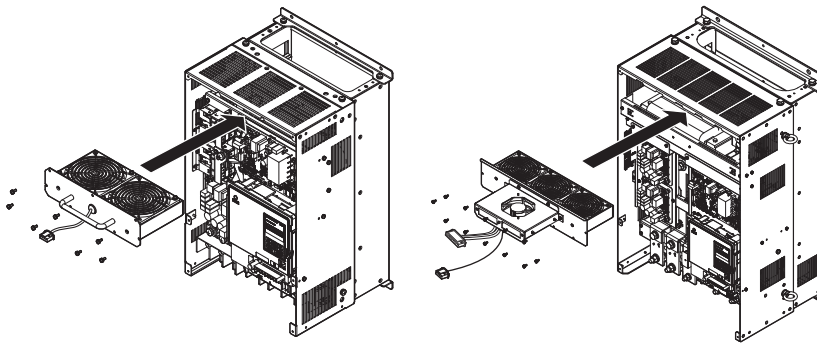


Figure 7.25 Installing the Cooling Fan Unit: 2A0169 to 2A0415, 4A0139 to 4A0362

2. Reattach the covers and digital operator.
3. Turn the power supply back on and reset the cooling fan operation time for the Maintenance Monitor by setting o4-03 to 0.

◆ Cooling Fan Replacement: 4A0414

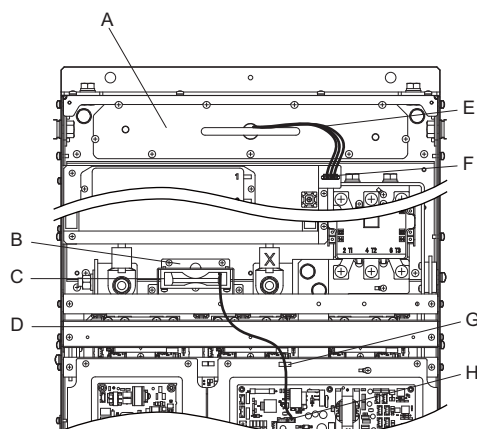
WARNING! *Electrical Shock Hazard. Do not connect or disconnect wiring while the power is on. Failure to comply can result in serious personal injury. Before servicing the drive, disconnect all power to the equipment. The internal capacitor remains charged even after the power supply is turned off. After shutting off the power, wait for at least the amount of time specified on the drive before touching any components.*

CAUTION! *Burn Hazard. Do not touch a hot drive heatsink. Failure to comply could result in minor or moderate injury. Shut off the power to the drive when replacing the cooling fan. To prevent burns, wait at least 15 minutes and ensure the heatsink has cooled down.*

NOTICE: *Prevent Equipment Damage. Follow cooling fan and circulation fan replacement instructions. Improper fan replacement could result in damage to equipment. When installing the replacement fan into the drive, make sure the fan is facing upwards. To ensure maximum useful product life, replace all fans when performing maintenance.*

■ Removing and Disassembling the Cooling Fan Unit

1. Remove the terminal cover and front cover 1 and 2.
2. Remove the fan connector (CN6).



| | |
|---------------------------------|-------------------------|
| A – Fan Unit | E – Fan Relay Cable |
| B – Circulation Fan Unit | F – Fan Connector (CN6) |
| C – Circulation Fan | G – Hook |
| D – Circulation Fan Relay Cable | H – Fan Connector (CN7) |

Figure 7.26 Component Names: 4A0414

3. Remove the circulation fan relay cable from the hook. Remove the fan connector (CN7).
4. Remove the screws holding the fan units in place and slide the fan units out of the drive.

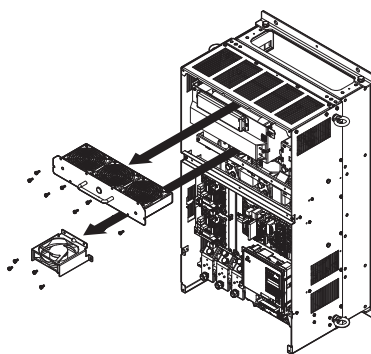


Figure 7.27 Removing the Fan Units: 4A0414

7.4 Cooling Fan and Circulation Fan

5. Remove the fan guard and circulation fan casing. Replace the cooling fans.

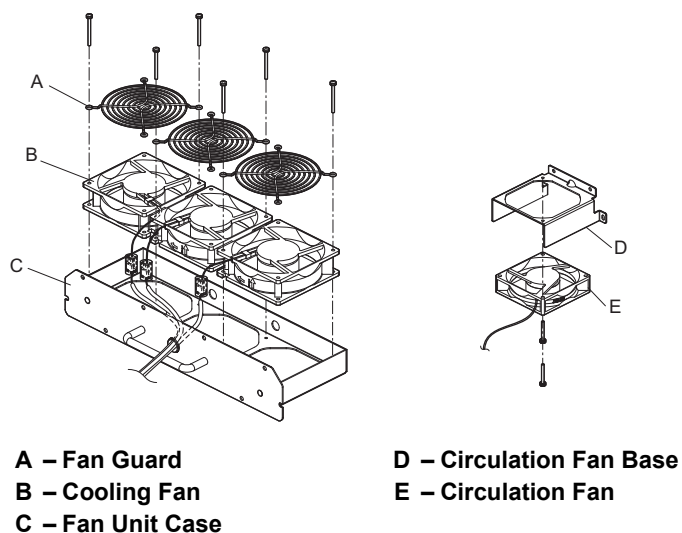
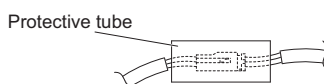


Figure 7.28 Fan Unit Disassembly: 4A0414

■ Cooling Fan Wiring

1. Position the protective tube so that the fan connector sits in the center of the protective tube.



2. Place the fan connector covered by the tube as shown in the drawings below.

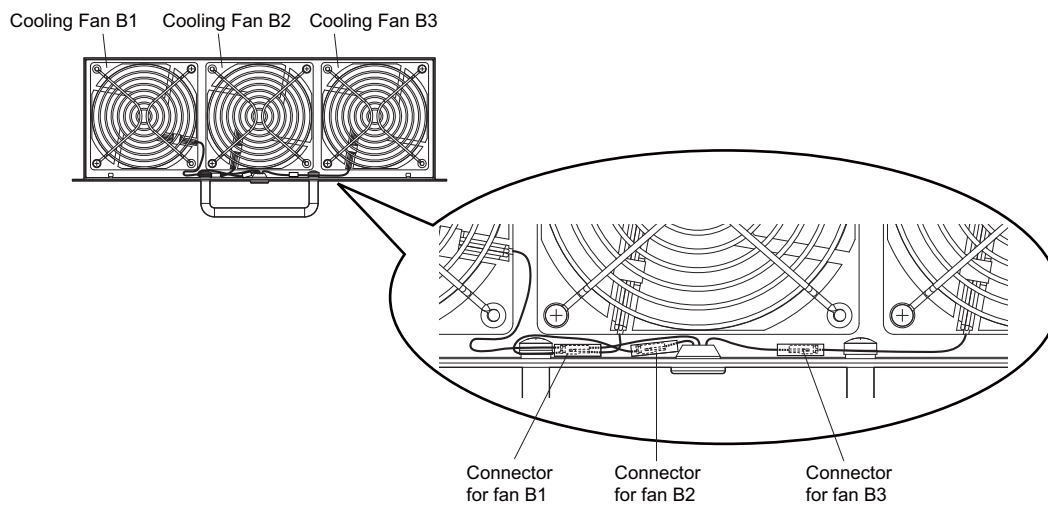


Figure 7.29 Cooling Fan Wiring: 4A0414

3. Double check the relay connector to ensure that it is properly connected.

■ Installing the Cooling Fan Unit

1. Reverse the procedure described above to reinstall the cooling fan unit.

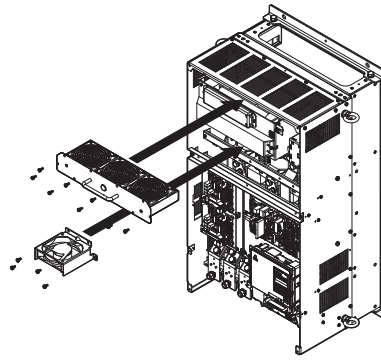


Figure 7.30 Installing the Cooling Fan Units: 4A0414

2. Reattach the covers and digital operator.
3. Turn the power supply back on and reset the cooling fan operation time for the Maintenance Monitor by setting o4-03 to 0.

◆ Cooling Fan Replacement: 4A0515 and 4A0675

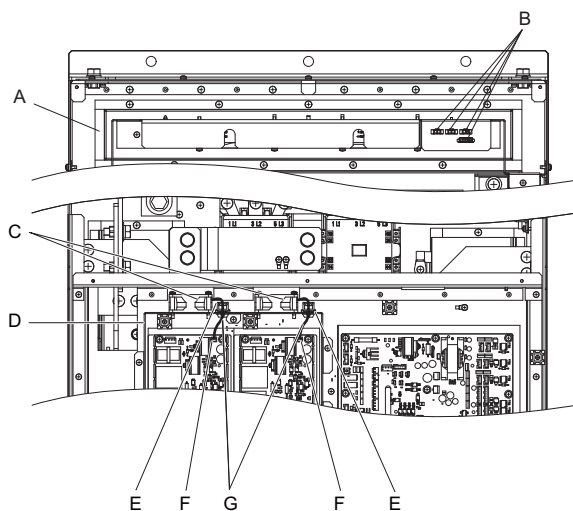
WARNING! *Electrical Shock Hazard. Do not connect or disconnect wiring while the power is on. Failure to comply can result in serious personal injury. Before servicing the drive, disconnect all power to the equipment. The internal capacitor remains charged even after the power supply is turned off. After shutting off the power, wait for at least the amount of time specified on the drive before touching any components.*

CAUTION! *Burn Hazard. Do not touch a hot drive heatsink. Failure to comply could result in minor or moderate injury. Shut off the power to the drive when replacing the cooling fan. To prevent burns, wait at least 15 minutes and ensure the heatsink has cooled down.*

NOTICE: *Prevent Equipment Damage. Follow cooling fan and circulation fan replacement instructions. Improper fan replacement could result in damage to equipment. When installing the replacement fan into the drive, make sure the fan is facing upwards. To ensure maximum useful product life, replace all fans when performing maintenance.*

■ Removing and Disassembling the Cooling Fan Unit

1. Remove the terminal cover and front cover.
2. Remove the connectors for the cooling fan relay and the circuit board cooling fan.



- | | |
|------------------------------------|---|
| A – Fan Unit | E – Hook |
| B – Fan Relay Connector | F – Circuit Board Cooling Fan Connector |
| C – Circuit Board Cooling Fan | G – Circuit Board Cooling Fan Cable |
| D – Circuit Board Cooling Fan Case | |

Figure 7.31 Component Names: 4A0515 and 4A0675

7.4 Cooling Fan and Circulation Fan

3. Loosen the nine screws, then slide the panel that the screws held into place to the right.

Note: The fan unit can be removed simply by loosening these screws.

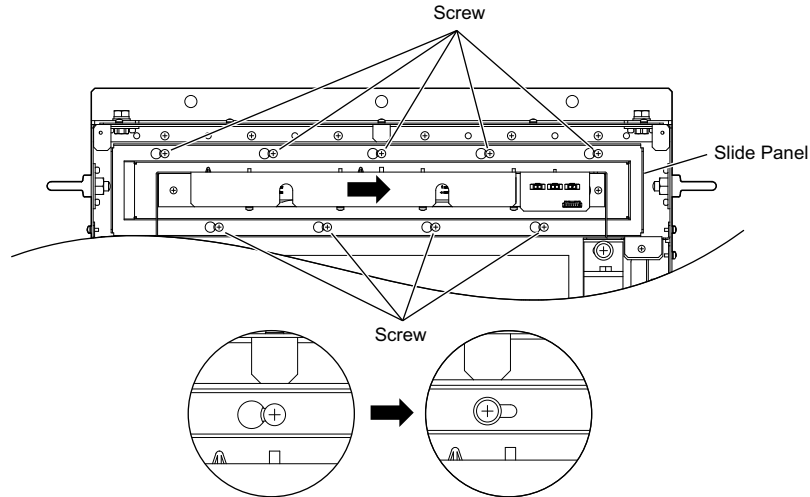


Figure 7.32 Removing the Fan Unit: 4A0515 and 4A0675

4. Remove the slide panel and fan unit along with the cooling fan unit for the circuit boards from the drive.

Note: Both the fan unit and slide panel should be removed at the same time.

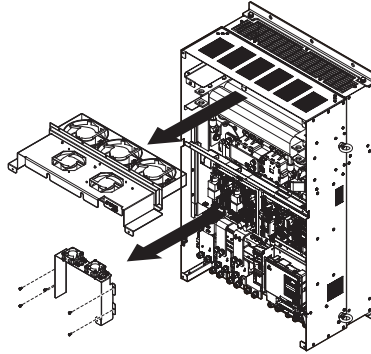
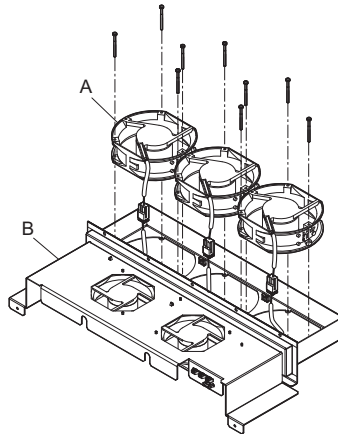


Figure 7.33 Removing the Fan Units: 4A0515 and 4A0675

5. Replace the cooling fans.

Note: Make sure the fan cable does not get pinched between parts when reassembling the fan unit.

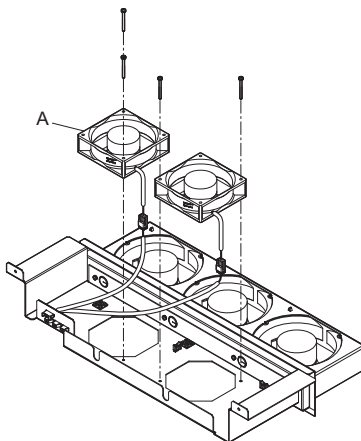


A – Cooling Fan

B – Cooling Fan Unit Case

Figure 7.34 Fan Unit Disassembly: 4A0515 and 4A0675

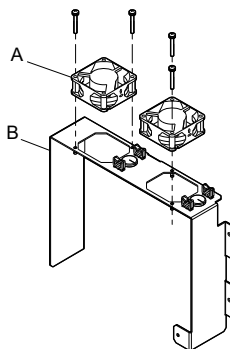
6. Turn the fan unit over and replace the circulation fans.



A – Circulation Fan

Figure 7.35 Fan Unit Disassembly: 4A0515 and 4A0675

7. Replace the cooling fans



A – Circuit Board Cooling Fan

B – Circuit Board Cooling Fan Case

Figure 7.36 Fan Unit Disassembly: 4A0515 and 4A0675

■ Cooling Fan Wiring

1. Place the cooling fan connectors and guide the lead wires so that they are held in place by the cable hooks.

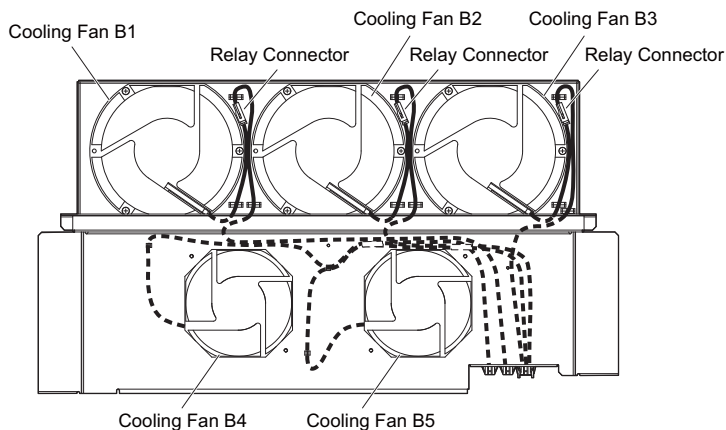


Figure 7.37 Cooling Fan Wiring: 4A0515 and 4A0675

7.4 Cooling Fan and Circulation Fan

2. Guide the lead wires so that they are held in place by the cable hooks and place the circulation fan connectors between the fan and fan unit.

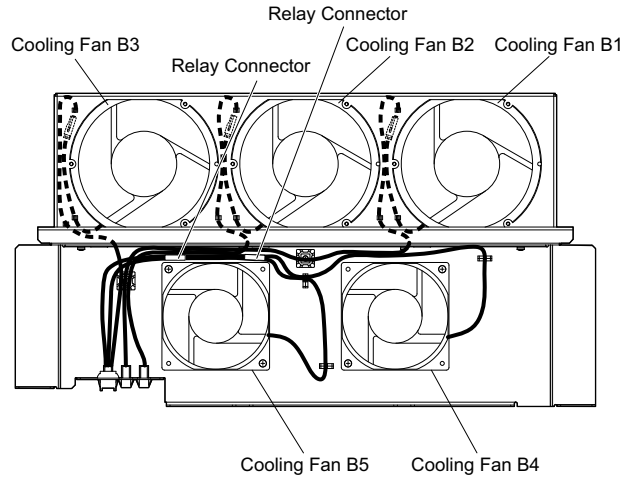
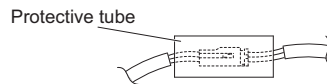


Figure 7.38 Cooling Fan Wiring: 4A0515 and 4A0675

3. Position the protective tube so that the fan connector sits in the center of the protective tube. (Only for circuit Board Cooling Fan)



4. Guide lead wires through the hooks provided so that the wires are held in place.

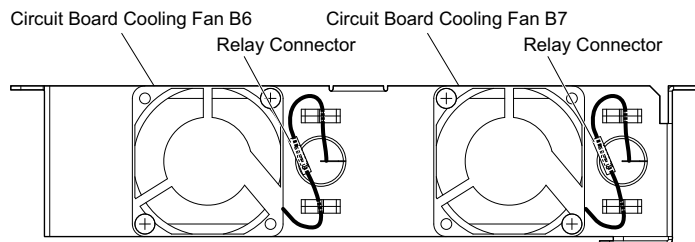


Figure 7.39 Cooling Fan Wiring: 4A0515 and 4A0675

5. Double check the relay connector to ensure that it is properly connected.

■ Installing the Cooling Fan Unit

1. Reverse the procedure described above to reinstall the cooling fan unit.

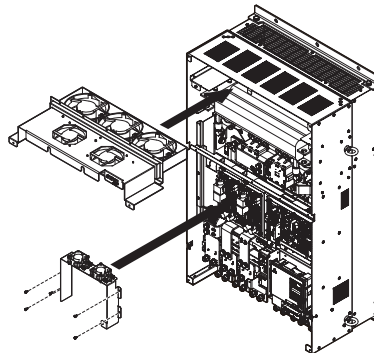


Figure 7.40 Installing the Cooling Fan Units: 4A0515 and 4A0675

2. Reattach the covers and digital operator.
3. Turn the power supply back on and reset the cooling fan operation time for the Maintenance Monitor by setting o4-03 to 0.

7.5 Drive Replacement

◆ Serviceable Parts

The drive contains some serviceable parts. The following parts can be replaced over the life span of the drive:

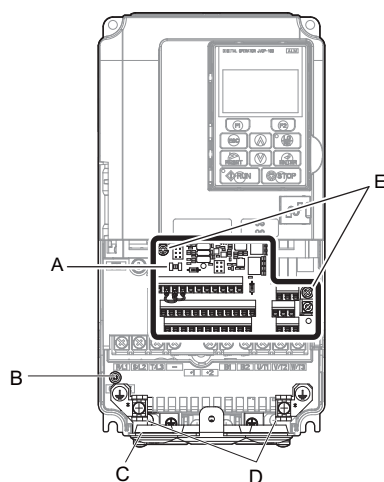
- Terminal board I/O PCBs
- Cooling fan(s)
- Front cover

Replace the drive if the main power circuitry is damaged. Contact your local Yaskawa representative before replacing parts if the drive is still under warranty. Yaskawa reserves the right to replace or repair the drive according to Yaskawa warranty policy.

◆ Terminal Board

The drive has a modular I/O terminal block that facilitates quick drive replacement. The terminal board contains on-board memory that stores all drive parameter settings and allows the parameters to be saved and transferred to the replacement drive. To transfer the terminal board, disconnect the terminal board from the damaged drive then reconnect it to the replacement drive. Once transferred, there is no need to manually reprogram the replacement drive.

Note: If the damaged drive and the new replacement drive have different capacities, the data stored in the terminal board cannot be transferred to the new drive and an oPE01 error will appear on the display. The terminal board can still be used, but parameter setting from the old drive cannot be transferred. The replacement drive must be initialized and manually programmed.



A – Removable terminal board
 B – Charge LED
 C – Bottom cover

D – Bottom cover screws
 E – Terminal board locking screws

Figure 7.41 Terminal Board

◆ Replacing the Drive

WARNING! Electrical Shock Hazard. Do not connect or disconnect wiring while the power is on. Failure to comply can result in serious personal injury. Before servicing the drive, disconnect all power to the equipment. The internal capacitor remains charged even after the power supply is turned off. After shutting off the power, wait for at least the amount of time specified on the drive before touching any components.

WARNING! Electrical Shock Hazard. Do not allow unqualified personnel to perform work on the drive. Failure to comply could result in serious injury. Installation, maintenance, inspection and servicing must be performed only by authorized personnel familiar with installation, adjustment and maintenance of AC drives.

NOTICE: Damage to Equipment. Observe proper electrostatic discharge procedures (ESD) when handling the drive and circuit boards. Failure to comply may result in ESD damage to the drive circuitry.

The following procedure explains how to replace a drive. This section provides instructions for drive replacement only. To install option boards or other types of options, then refer to the specific manuals for those options.

NOTICE: When transferring a braking transistor, braking resistor, or other type of option from a damaged drive to a new replacement drive, make sure they are working properly before reconnecting them to the new drive. Replace broken options to prevent immediate break down of the replacement drive.

1. Remove the terminal cover.

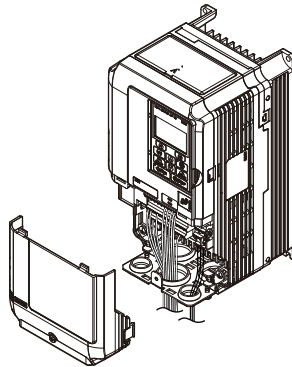


Figure 7.42 Drive Replacement: Removing the Terminal Cover

2. Loosen the screws holding the terminal board in place. Take out the screw securing the bottom cover and remove the bottom cover from the drive.

Note: Drives set up for compliance with IP00 do not have a bottom cover.

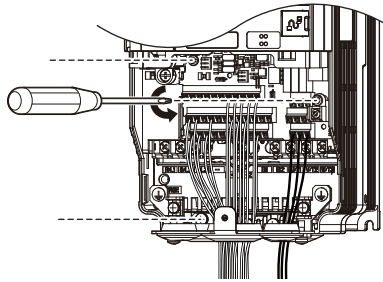


Figure 7.43 Drive Replacement: Removing the Terminal Board

3. Slide the terminal board as illustrated by the arrows, and remove it from the drive along with the bottom cover.

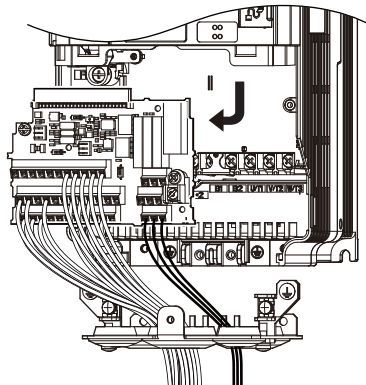
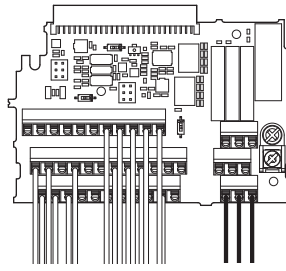


Figure 7.44 Drive Replacement: Remove the Terminal Board



**Figure 7.45 Drive Replacement:
Removable Terminal Board Disconnected from the Drive**

4. Disconnect all option cards and options. Make sure they are intact before reusing them.
5. Replace the drive and wire the main circuit.

■ Installing the Drive

1. Once the main circuit has been wired, connect the terminal block to the drive as shown in [Figure 7.46](#). Use the installation screw to fasten the terminal block into place.

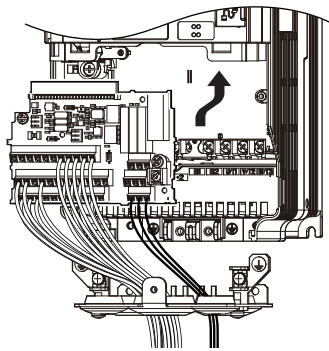


Figure 7.46 Drive Replacement: Installing the Terminal Board

2. Reconnect all options to the new drive in the same way they were installed in the old drive. Connect option boards to the same option ports in the new drive that were used in the old drive.
3. Put the terminal cover back into its original place.
4. When the power to the drive is first switched on, all parameter settings are transferred from the terminal board into the drive memory. Should an oPE04 error occur, load the parameter settings that have been saved on the terminal board onto the new drive by setting parameter A1-03 to 5550. Reset timers used for the Maintenance Monitor function by setting parameters o4-01 through o4-12 back to 0, and parameter o4-13 to 1.



Peripheral Devices & Options

This chapter explains the installation of peripheral devices and options available for the drive.

| | |
|---|------------|
| 8.1 SECTION SAFETY | 374 |
| 8.2 DRIVE OPTIONS AND PERIPHERAL DEVICES | 375 |
| 8.3 CONNECTING PERIPHERAL DEVICES | 376 |
| 8.4 OPTION CARD INSTALLATION | 377 |
| 8.5 INSTALLING PERIPHERAL DEVICES | 379 |

8.1 Section Safety

DANGER

Electrical Shock Hazard

Do not connect or disconnect wiring while the power is on.

Failure to comply will result in death or serious injury.

The internal capacitor remains charged even after the power supply is turned off. After shutting off the power, wait for at least the amount of time specified on the drive before touching any components.

WARNING

Electrical Shock Hazard

Do not operate equipment with covers removed.

Failure to comply could result in death or serious injury.

The diagrams in this section may show drives without covers or safety shields to show details. Be sure to reinstall covers or shields before operating the drives and run the drives according to the instructions described in this manual.

Do not remove covers or touch circuit boards while the power is on.

Failure to comply could result in death or serious injury.

Do not allow unqualified personnel to perform work on the drive.

Failure to comply could result in death or serious injury.

Installation, maintenance, inspection and servicing must be performed only by authorized personnel familiar with installation, adjustment and maintenance of AC drives.

Do not perform work on the drive while wearing loose clothing, jewelry or without eye protection.

Failure to comply could result in death or serious injury.

Remove all metal objects such as watches and rings, secure loose clothing and wear eye protection before beginning work on the drive.

Always ground the motor-side grounding terminal.

Improper equipment grounding could result in death or serious injury by contacting the motor case.

Fire Hazard

Tighten all terminal screws to the specified tightening torque.

Loose electrical connections could result in death or serious injury by fire due to overheating of electrical connections.

NOTICE

Observe proper electrostatic discharge procedures (ESD) when handling the drive and circuit boards.

Failure to comply may result in ESD damage to the drive circuitry.

Never connect or disconnect the motor from the drive while the drive is outputting voltage.

Improper equipment sequencing could result in damage to the drive.

8.2 Drive Options and Peripheral Devices

The following table of peripheral devices lists the names of the various accessories and options available for Yaskawa drives. Contact Yaskawa or your Yaskawa agent to order these peripheral devices.

- **Peripheral Device Selection:** Refer to the Yaskawa catalog for selection and part numbers.
- **Peripheral Device Installation:** Refer to the corresponding option manual for installation instructions.

| Option | Model Number | Description |
|--|------------------|--|
| Power Options | | |
| DC Reactor | - | Improves the power factor by suppressing harmonic distortion from the power supply. |
| AC Reactor | - | Protects the drive when operating from a large power supply and improves the power factor by suppressing harmonic distortion. Highly recommended for power supplies that exceed 600 kVA. |
| Braking Resistor | ERF-150WJ Series | For use with systems that require dynamic braking with up to 3% ED. If higher ED is required, use a Braking Resistor Unit. |
| Braking Unit | CDBR Series | External braking transistor |
| Input / Output Option Cards | | |
| Analog Input | AI-A3 | Allows high precision, high resolution analog reference input. Input channels: 3 Voltage input: -10 to 10 Vdc (20 kΩ), 13 bit signed Current input: 4 to 20 mA or 0 to 20 mA (250 kΩ), 12 bit |
| Analog Monitor | AO-A3 | Provides extra multi-function analog output terminals. Output channels: 2 Output voltage: -10 to 10 V, 11 bit (signed) |
| Digital Input | DI-A3 | Used to set the frequency reference by digital inputs Input channels: 18 (including SET signal and SIGN signal) Input signal type: BCD 16 bit (4 digit), 12 bit (3 digit), 8 bit (2 digit) Input signal: 24 Vdc, 8 mA |
| Digital Output | DO-A3 | Provides extra insulated multi-function digital outputs. Photocoupler relays: 6 (48 V, up to 50 mA) Contact relays: 2 (250 Vac/up to 1 A, 30 Vdc/up to 1 A) |
| Motor Speed Feedback Option Cards | | |
| Complementary PG | PG-B3 | For speed feedback input by connecting a motor encoder Input: 3 track (can be used with one or two tracks), for HTL encoder connection, 50 kHz max Output: 3 track, open collector Encoder power supply: 12 V, max current 200 mA |
| Line Driver PG | PG-X3 | For speed feedback input by connecting a motor encoder Input: 3 track (can be used with one or two tracks), line driver, 300 kHz max Output: 3 track, line driver Encoder power supply: 5 V or 12 V, max current 200 mA |
| Communication Options Cards | | |
| PROFIBUS-DP | SI-P3 | Connects to a PROFIBUS-DP network. |
| CC-Link | SI-C3 | Connects to a CC-Link network |
| DeviceNet | SI-N3 | Connects to a DeviceNet network |
| CANopen | SI-S3 | Connects to a CANopen network |
| MECHATROLINK-II | SI-T3 | Connects to a MECHATROLINK-II network |
| Interface Options | | |
| LED Operator | JVOP-182 | 5-digits LED operator; max. cable length for remote usage: 3 m |
| Remote Operator Cable | WV001/WV003 | Extension cable (1 m or 3 m) to connect the digital operator for remote operation RJ-45, 8 pin straight through, UTP CAT5e cable |
| USB Copy Unit | JVOP-181 | Allows the user to copy and verify parameter settings between drives. Can also be used as an adapter to connect the drive to the USB port on a PC. |
| Mechanical Options | | |
| Attachment for External Heatsink | EZZ020786 | Installation kit for mounting the drive with the heatsink outside of the panel (Side-by-Side mounting possible) |
| NEMA 1 Kit | EZZ020787 | Parts to make the drive conform to NEMA Type 1 enclosure requirements |
| Installation Support Set A | EZZ020642A | For installing the digital operator keypad on the outside of an enclosure panel that houses the drive. Also refer to Digital Operator Remote Installation on page 43 . |
| Installation Support Set B | EZZ020642B | |
| Others | | |
| 24 V Power Supply | PS-A10L, PS-A10H | Option to supply the drive controller with 24 Vdc power during main power loss |
| PC Software Tools | | |
| DriveWizard Plus | Contact Yaskawa | PC tool for drive setup and parameter management |
| DriveWorksEZ | Contact Yaskawa | PC tool for enhanced programming of the drive |

8.3 Connecting Peripheral Devices

Figure 8.1 illustrates how to configure the drive and motor to operate with various peripheral devices.

- For more detailed instructions on how to install each device shown below, refer to the specific manual for that device.

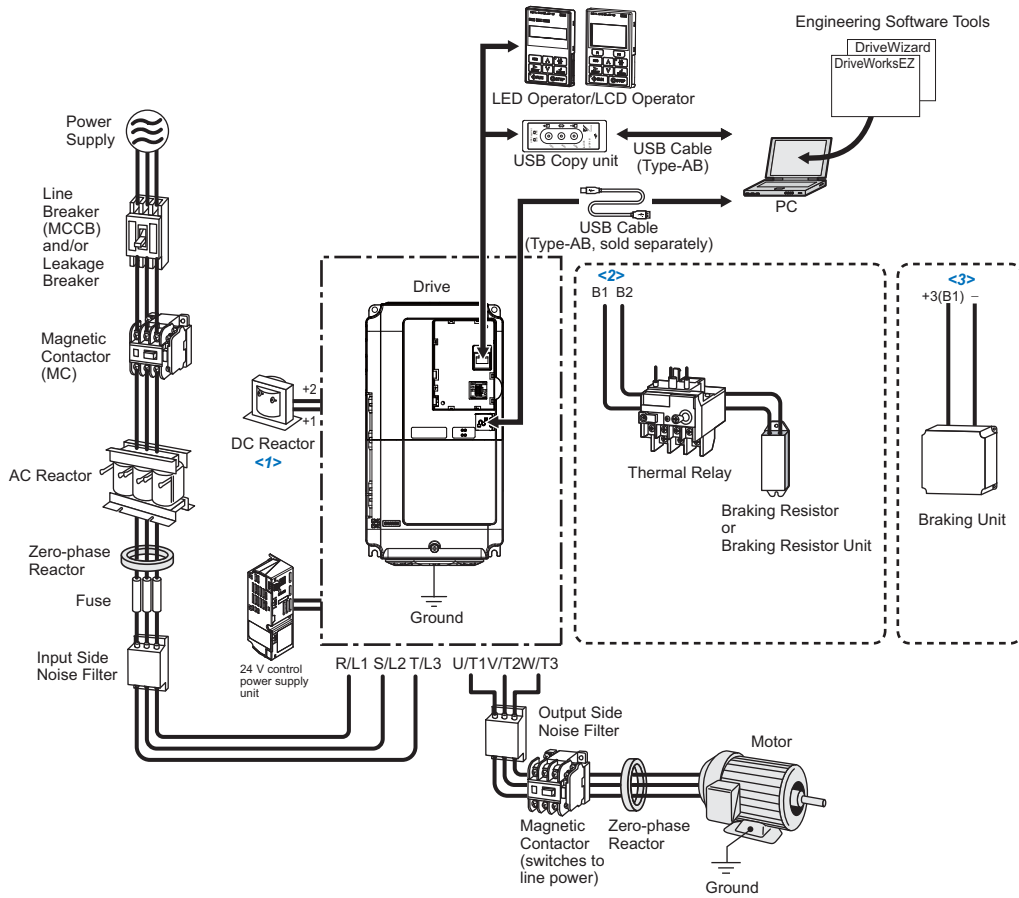


Figure 8.1 Connecting Peripheral Devices

- <1> Terminals +1 and +2 for connecting a DC choke are available only in units CIMR-A□2A0004 to 0081 and CIMR-A□40002 to 0044. Drives above have built in DC chokes.
- <2> Terminals B1 and B2 for connecting a braking resistor are available only in units CIMR-A□2A0004 to 0138 and CIMR-A□40002 to 0072.
- <3> When using an external braking chopper in drives from CIMR-A□2A0004 to 0138 and CIMR-A□40002 to 0072 connect the chopper to drive terminals B1 and -. When using larger drives connect the chopper to terminals +3 and -.

8.4 Option Card Installation

This section provides instructions on installing the option cards listed in .

◆ Installing Option Cards

Table 8.1 below lists the number of option cards that can be connected to the drive and the drive ports for connecting those option cards.

Table 8.1 Option Card Installation

| Option Card | Port/Connector | Number of Cards Possible |
|---|----------------|--------------------------|
| SI-C3, SI-N3, SI-P3, SI-S3, SI-T3, AI-A3, DI-A3 <1> | CN5-A | 1 |
| PG-B3, PG-X3 | CN5-B, C | 2 <2> |
| DO-A3, AO-A3 | CN5-A, B, C | 1 |

<1> If installed to CN5-B or CN5-C, AI-A3 and DI-A3 cannot be used to set the frequency reference, but the input status can still be viewed using U1-21, U1-22, U1-23 (for AI-A3), and U1-17 (for DI-A3).

<2> If only one PG option card is connected to the drive, use the CN5-C connector. If two PG option cards are connected, use both CN5-B and CN5-C.

◆ Installation Procedure

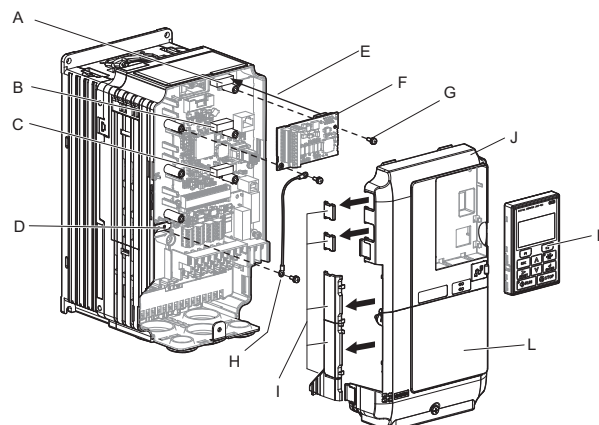
WARNING! Electrical Shock Hazard. Do not allow unqualified personnel to perform work on the drive. Failure to comply could result in death or serious injury. Maintenance, inspection, and replacement of parts must be performed only by authorized personnel familiar with installation, adjustment and maintenance of AC drives and Option Cards.

NOTICE: Damage to Equipment. Observe proper electrostatic discharge procedures (ESD) when handling the option card, drive, and circuit boards. Failure to comply may result in ESD damage to circuitry.

NOTICE: Damage to Equipment. Tighten all terminal screws to the specified tightening torque. Failure to comply may cause the application to operate incorrectly or damage the drive.

Use the procedure described below when installing option cards to the drive.

1. Shut off power to the drive, wait the appropriate amount of time for voltage to dissipate, then remove the operator and front cover. Refer to [Digital Operator and Front Cover on page 61](#)
2. Insert the CN5 connector on the option card into the matching CN5 connector on the drive, then fasten it into place using one of the screws included with the option card.



- | | |
|-----------------------------------|---|
| A – Connector CN5-C | G – Mounting screw |
| B – Connector CN5-B | H – Lead line |
| C – Connector CN5-A | I – Use wire cutters to create an opening for cable lines |
| D – Drive grounding terminal (FE) | J – Front cover |
| E – Insert connector CN5 here | K – Digital operator |
| F – Option card | L – Terminal cover |

Figure 8.2 Installing an Option Card

8.4 Option Card Installation

3. Connect one of the lead lines using one of the screws to the ground terminal.

Some option cards come with several different lead lines for connecting the card to the drive. Select the lead line with the most appropriate length.

Note: There are only two screw holes on the drive for ground terminals. If three option cards are connected, two of the lead lines will need to share the same ground terminal.

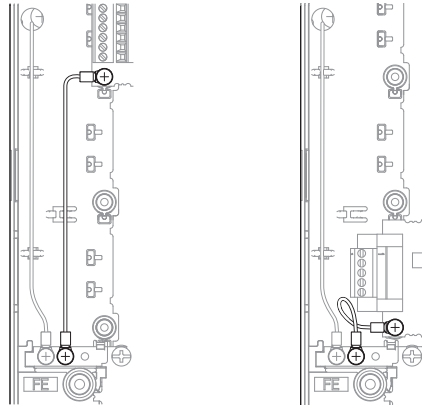


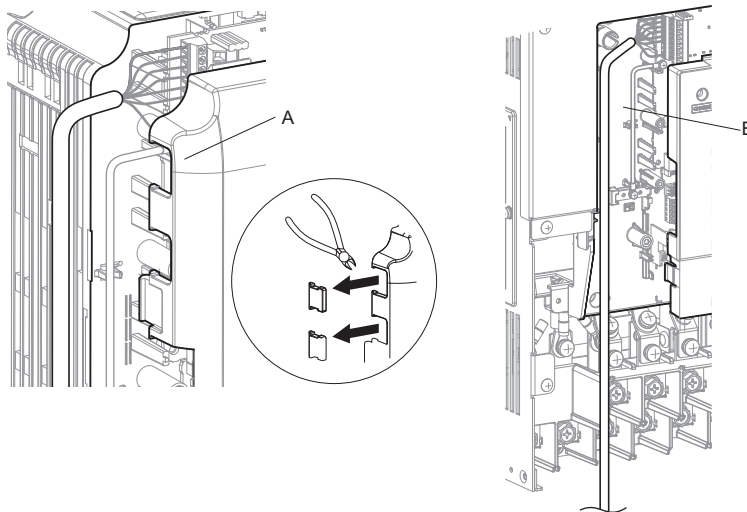
Figure 8.3 Connecting the Ground Terminal

4. Wire the option card to the terminal block on the option card.

For wiring instructions, refer to the manual delivered with the option card.

When installing option cards to drive models CIMR-A□2A0004 through 0040 and to models CIMR-A□4A0002 through 0023, the cables connected to the option might need to be routed through the front cover to the outside. In this case, cut out the perforated openings on the left side of the front cover. Make sure no sharp edges are left that may damage the cable.

Models CIMR-A□2A0056 through 2A0415 and 4A0031 through 0675 have enough space to keep all wiring inside the unit.



A – Cable through hole
(CIMR-A□2A0004 to 0040, 4A0002 to 0023)

B – Space for wiring
(CIMR-A□2A0056 to 0415, 4A0031 to 0675)

Figure 8.4 Wiring Space

5. Place the front cover and digital operator back onto the drive.

Note: 1. Leave enough space when wiring so that the front cover can be easily reattached. Make sure no wires get caught between the front cover and the drive.

2. Any exposed wiring will void the wall-mount enclosure rating.

8.5 Installing Peripheral Devices

This section describes the proper steps and precautions to take when installing or connecting various peripheral devices to the drive.

NOTICE: Use a class 2 power supply (UL standard) when connecting to the control terminals. Improper application of peripheral devices could result in drive performance degradation due to improper power supply.

◆ Dynamic Braking Options

Dynamic braking (DB) helps bring the motor to a smooth and rapid stop when working with high inertia loads. As the drive lowers the frequency of a motor moving a high inertia load, regeneration occurs. This can cause an overvoltage situation when the regenerative energy flows back into the DC bus capacitors. A braking resistor prevents these overvoltage faults.

NOTICE: Do not allow unqualified personnel to use the product. Failure to comply could result in damage to the drive or braking circuit. Carefully review the braking resistor instruction manual when connecting a braking resistor option to the drive.

- Note:**
1. The braking circuit must be sized properly in order to dissipate the power required to decelerate the load in the desired time. Ensure that the braking circuit can dissipate the energy for the set deceleration time prior to running the drive.
 2. Disable the drive's internal braking transistor protection by setting L8-55 = 0 when using braking resistor options.

WARNING! Fire Hazard. The braking resistor connection terminals are B1 and B2. Do not connect a braking resistor directly to any other terminals. Improper wiring connections could result in death or serious injury by fire. Failure to comply may result in damage to the braking circuit or drive.

NOTICE: Connect braking resistors to the drive as shown in the I/O wiring examples. Improperly wiring braking circuits could result in damage to the drive or equipment.

■ Installing a Braking Resistor: ERF type

An ERF type braking resistors provides dynamic braking capability with up to 3% ED. It can be directly connected to the drives B1 and B2 terminals like shown in [Figure 8.5](#).

Enable the drive's braking resistor overload protection by setting L8-01 = 1 when using ERF type resistors.

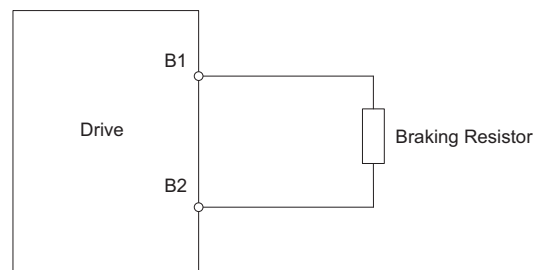


Figure 8.5 Connecting a Braking Resistor: ERF Type

■ Installing a Braking Resistor Unit: LKEB type

LKEB type braking resistors provide dynamic braking capability with up to 10% ED. They can be directly connected to the drives B1 and B2 terminals as shown in [Figure 8.6](#). The LKEB unit has a thermal overload contact that should be utilized in order to switch off the drive in case braking resistor overheat occurs.

As the drives internal braking resistor overload protection cannot protect LKEB resistors, disable this function by setting L8-01 to 0 and L8-55 to 0.

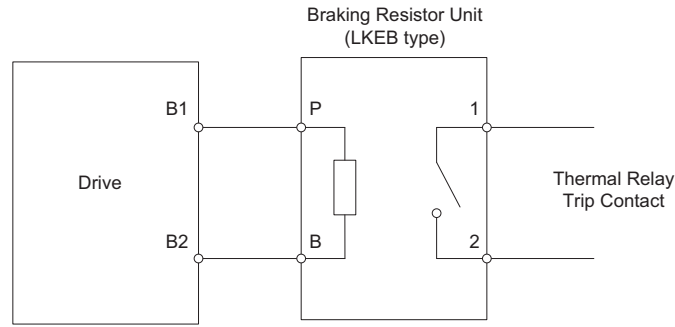


Figure 8.6 Connecting a Braking Resistor Unit: LKEB Type (CIMR-A□2A0004 to 0138, 4A0002 to 0072)

■ Installing Other Types of Braking Resistors

When installing braking resistors other than the ERF or LKEB types, make sure that the drive internal braking transistor will not be overloaded with the required duty cycle and the selected resistance value. Use a resistor that is equipped with a thermal overload relay contact, and utilize this contact to switch off the drive in case of braking resistor overheating.

■ Braking Resistor Overload Protection

If using a braking resistor option, a sequence such as the one shown in [Figure 8.7](#) should be set up to interrupt the power supply in case the braking resistor overheats.

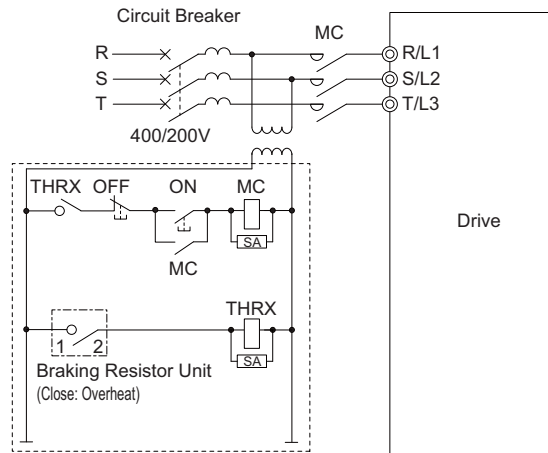


Figure 8.7 Power Supply Interrupt for Overheat Protection (Example)

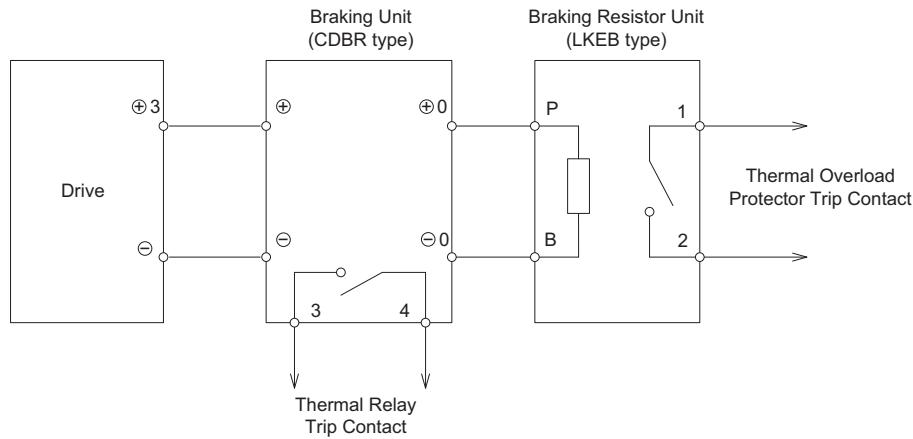
■ Installing a Braking Unit: CDBR Type

To install a CDBR type braking unit, connect the drive's B1 terminal (units CIMR-2A0004 through 0138 and CIMR-4A0002 through 0072) or +3 terminal (units CIMR-A□2A0169 to 0211 and CIMR-A□4A0088 to 0165) to the positive terminal on the braking unit. Next wire the negative terminals on the drive and braking unit together. Terminal +2 is not used.

Connect the braking resistor to the CDBRs terminals +0 and -0.

Wire the thermal overload relay contact of the CDBR and the braking resistor in series, and connect this signal to a drive digital input. Use this input to trigger a fault in the drive in case a CDBR or braking resistor overload occurs.

Disable dynamic braking transistor protection by setting L8-55 = 0.



**Figure 8.8 Connecting a Braking Unit (CDBR type) and Braking Resistor Unit (LKEB type)
(CIMR-A□2A0169 to 0415, 4A0088 to 0675)**

■ Using Braking Units in Parallel

When multiple braking units are used, they must be installed with a master-slave configuration with a single braking unit acting as the master. *Figure 8.9* illustrates how to wire braking units in parallel.

Wire the thermal overload contacts relays of all CDBRs and all braking resistors in series, then connect this signal to a drive digital input. This input can be used to trigger a fault in the drive in case of overload in any of the CDBRs or braking resistors.

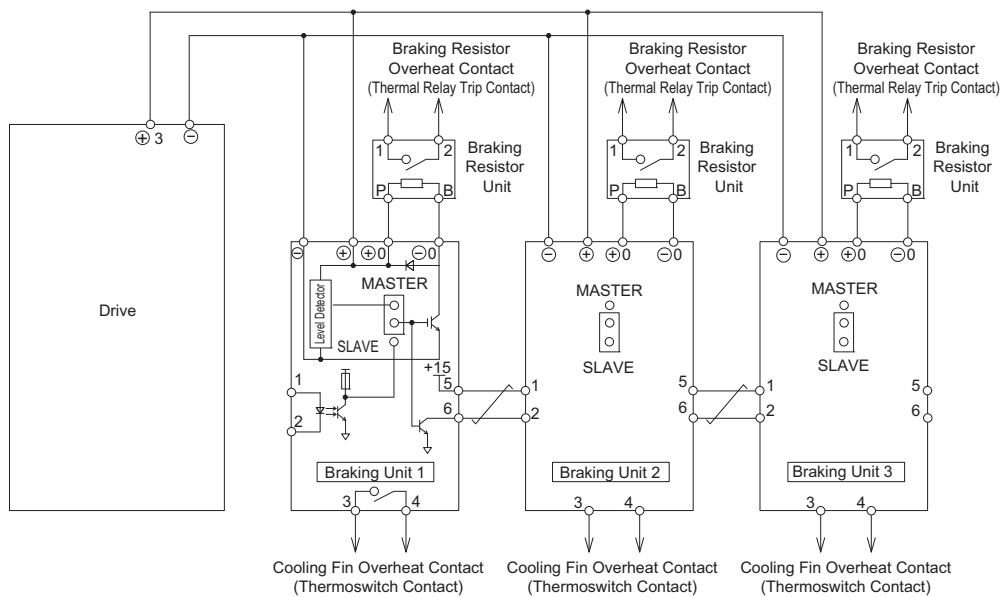


Figure 8.9 Connecting Braking Units in Parallel

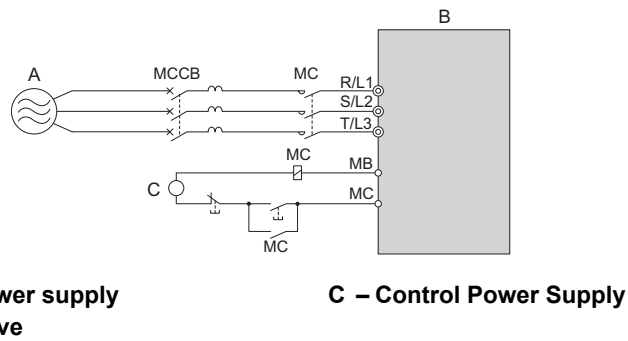
◆ Installing a Molded Case Circuit Breaker (MCCB)

Install a MCCB for line protection between the power supply and the main circuit power supply input terminals R/L1, S/L2, and T/L3. This protects the main circuit and devices wired to the main circuit while also providing overload protection.

Consider the following when selecting and installing a MCCB:

- The capacity of the MCCB should be 1.5 to 2 times the rated output current of the drive. Use a MCCB with an operation characteristics so that the MCCB does not trip faster than the drive overload protection works (shuts off the drive after 1 min. operation at 150% of the drive rated current).
- If several drives are connected to one MCCB, use a sequence that shuts the power OFF when an error occurs in one drive by using magnetic contactor (MC) as shown in the following figure.

8.5 Installing Peripheral Devices



A – Power supply
B – Drive

C – Control Power Supply

Figure 8.10 Power Supply Interrupt Wiring (Example)

WARNING! *Electrical Shock Hazard. Switch off and lock the MCCB (or ELCB) and MC before wiring terminals. Failure to comply may result in serious injury or death.*

■ Installing a Leakage Breaker

Residual currents occurring in drive installations can contain AC, DC and high frequency components that may prevent a normal ELCB from tripping. If a ELCB is required in the installation, always use an all current sensitive ELCB (Type B according to IEC 60755) to ensure proper ground fault interruption.

Leakage currents generated by the drive during normal operation may trip a ELCB even if a ground fault is not present.

Factors that influence the leakage current are:

- Size of the AC drive
- AC drive carrier frequency
- Motor cable type and length
- EMI/RFI filter

If the ELCB trips spuriously consider changing these items or use a ELCB with a higher trip level.

◆ Installing a Magnetic Contactor

Install a magnetic contactor to the drive input for the purposes explained below.

■ Disconnecting the Power Supply

The drive should be shut off with a magnetic contactor (MC) when a fault occurs in any external equipment such as braking resistors.

NOTICE: *Do not connect electromagnetic switches or magnetic contactors to the output motor circuits without proper sequencing. Improper sequencing of output motor circuits could result in damage to the drive.*

NOTICE: *Install a MC on the input side of the drive when the drive should not automatically restart after power loss. To get the full performance life out of the electrolytic capacitors and circuit relays, refrain from switching the drive power supply off and on more than once every 30 minutes. Frequent use can damage the drive. Use the drive to stop and start the motor.*

NOTICE: *Use a magnetic contactor (MC) to ensure that power to the drive can be completely shut off when necessary. The MC should be wired so that it opens when a fault output terminal is triggered.*

- Note:**
1. To keep the drive from restarting automatically when power is restored after momentary power loss, install a magnetic contactor to the drive input.
 2. To have the drive continue operating through momentary power loss, set up a delay for the magnetic contactor so that it does not open prematurely.

■ Protecting the Braking Resistor or Braking Resistor Unit

Use an MC on the input side of the drive to protect a braking resistor or braking resistor unit from overheat or fire.

WARNING! *Fire Hazard. When using a braking unit, use a thermal relay on the braking resistors and configure a fault contact output for the braking resistor unit to disconnect drive main power via an input contactor. Inadequate braking circuit protection could result in death or serious injury by fire from overheating resistors.*

◆ Connecting an AC or DC Reactor

AC and DC reactors suppress surges in current and improve the power factor on the input side of the drive.

Use a DC reactor or AC reactor or both:

- To suppress harmonic current or improve the power factor of the power supply.
- When using a phase advancing capacitor switch.
- With a large capacity power supply transformer (over 600 kVA).

Note: Use an AC or DC reactor when also connecting a thyristor converter (such as a DC drive) to the same power supply system, regardless of the conditions of the power supply.

■ Connecting an AC Reactor

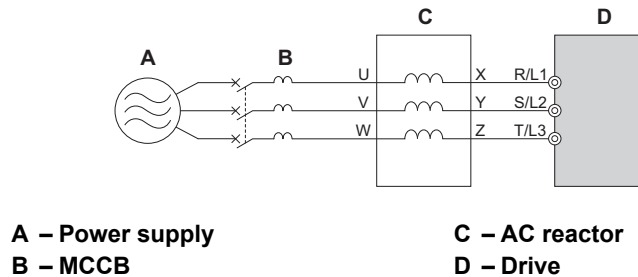


Figure 8.11 Connecting an AC Reactor

■ Connecting a DC Reactor

A DC reactor can be installed to drive models CIMR-A□2A0004 to 0081 and 4A0002 to 0044. When installing a DC reactor, ensure the jumper between terminals +1 and +2 (terminals are jumpered for shipment) is removed. The jumper must be installed if no DC reactor is used. Refer to [Figure 8.12](#) for an example of DC reactor wiring.

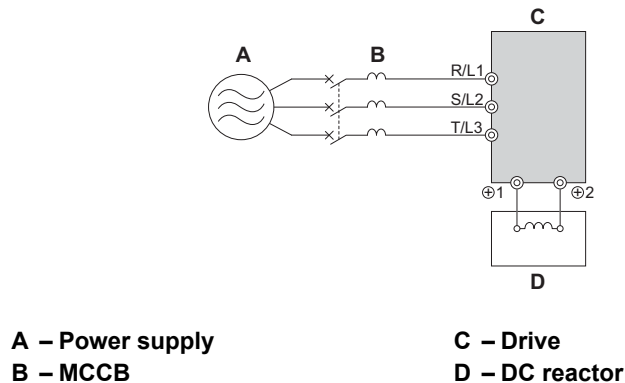


Figure 8.12 Connecting a DC Reactor

◆ Connecting a Noise Filter

■ Reducing Radiated, Conducted, and Induced Noise

Drives generate noise that can potentially affect surrounding devices like PLCs, etc.

- **Radiated Noise:** Electromagnetic waves noise throughout the radio bandwidth radiated from the drive and cables.
- **Conducted Noise:** Noise generated by the drive and emitted to through the power lines.
- **Induced Noise:** Noise generated by electromagnetic induction can affect control signal lines.

Take the following measurements to prevent noise causing malfunction of other drives or devices:

- Install all components on a well grounded metal plate.
- Keep the motor cable as short as possible.
- Use noise filters on the input side of the drive to reduce conducted noise.
- Install noise filters on the input and output side of the drive, install the drive in a metal enclosure panel and use a shielded motor cable to reduce radiated noise.

8.5 Installing Peripheral Devices

- Use shielded motor and control circuit lines and lay control circuit lines at least 30 cm away from power lines in order to prevent malfunction due to induced noise.

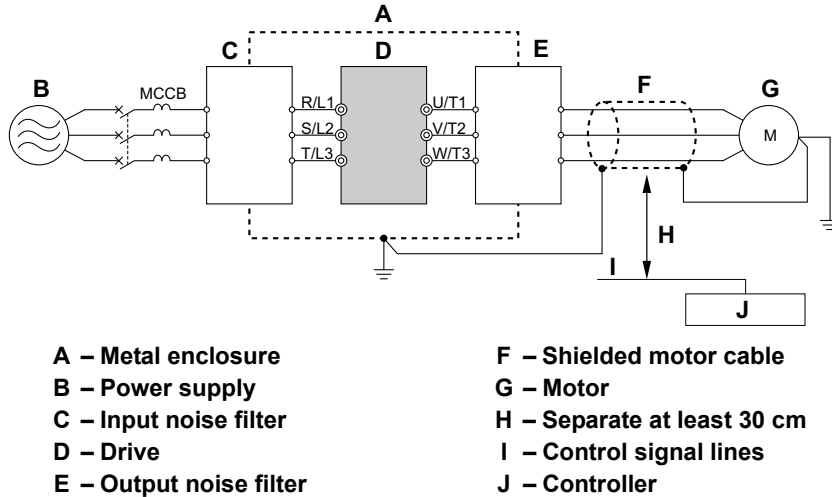


Figure 8.13 Reducing Radio Frequency Noise

■ Input-Side Noise Filter

Drive outputs generate noise as a result of high-speed switching. This noise flows from inside the drive back to the power supply, possibly affecting other equipment. Installing a noise filter to the input side of the drive can reduce the amount of noise flowing back into the power supply. This also prevents noise from entering the drive from the power supply.

- Use a noise filter specifically designed for AC drives.
- Install the noise filter as close as possible to the drive.

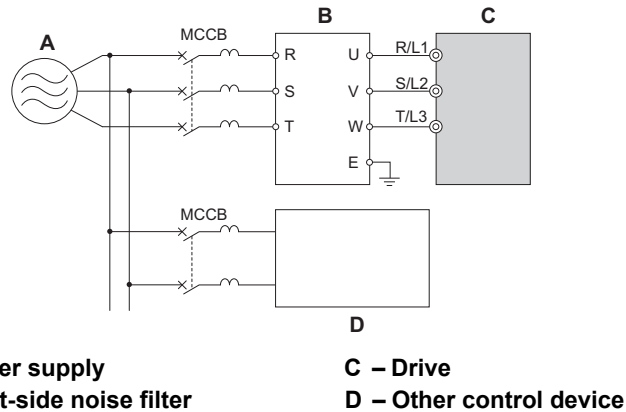


Figure 8.14 Input-Side Noise Filter (Three-Phase 200/400 V)

This drive is tested according to European standards IEC61800-5-1 and complies with the EMC guidelines. Refer to [EMC Guidelines Compliance on page 510](#) for details about EMC filter selection and installation.

■ Output-Side Noise Filter

A noise filter on the output side of the drive reduces inductive noise and radiated noise. [Figure 8.15](#) illustrates an example of output-side noise filter wiring.

NOTICE: Do not connect phase-advancing capacitors or LC/RC noise filters to the output circuits. Improper application of noise filters could result in damage to the drive.

◆ Installing a Motor Thermal Overload (oL) Relay on the Drive Output

Motor thermal overload relays protect the motor by disconnecting power lines to the motor due to a motor overload condition.

Install a motor thermal overload relay between the drive and motor:

- When operating multiple motors on a single AC drive.
- When using a power line bypass to operate the motor directly from the power line.

It is not necessary to install a motor thermal overload relay when operating a single motor from a single AC drive. The AC drive has UL recognized electronic motor overload protection built into the drive software.

- Note:**
1. Disable the motor protection function (L1-01 = 0) when using an external motor thermal overload relay.
 2. The relay should shut off main power on the input side of the main circuit when triggered.

■ General Precautions when Using Thermal Overload Relays

The following application precautions should be considered when using motor thermal overload relays on the output of AC drives in order to prevent nuisance trips or overheat of the motor at low speeds:

1. Low speed motor operation
2. Use of multiple motors on a single AC drive
3. Motor cable length
4. Nuisance tripping resulting from high AC drive carrier frequency

Low Speed Operation and Motor Thermal oL Relays

Generally, thermal relays are applied on general-purpose motors. When general-purpose motors are driven by AC drives, the motor current is approximately 5% to 10% greater than if driven by a commercial power supply. In addition, the cooling capacity of a motor with a shaft-driven fan decreases when operating at low speeds. Even if the load current is within the motor rated value, motor overheating may occur. A thermal relay cannot effectively protect the motor due to the reduction of cooling at low speeds. For this reason, apply the UL recognized electronic thermal overload protection function built into the drive whenever possible.

UL recognized electronic thermal overload function of the drive: Speed-dependent heat characteristics are simulated using data from standard motors and force-ventilated motors. The motor is protected from overload using this function.

Using a Single Drive to Operate Multiple Motors

Turn off the electronic thermal overload function. Please refer to the appropriate product instruction manual to determine which parameter disables this function.

- Note:** The UL recognized electronic thermal overload function cannot be applied when operating multiple motors with a single drive.

Long Motor Cables

When a high carrier frequency and long motor cables are used, nuisance tripping of the thermal relay may occur due to increased leakage current. To avoid this, reduce the carrier frequency or increase the tripping level of the thermal overload relay.

Nuisance Tripping Due to a High AC Drive Carrier Frequency

Current waveforms generated by high carrier frequency PWM drives tend to increase the temperature in overload relays. It may be necessary to increase the trip level setting when encountering nuisance triggering of the relay.

WARNING! Fire Hazard. Confirm an actual motor overload condition is not present prior to increasing the thermal oL trip setting. Check local electrical codes before making adjustments to motor thermal overload settings.



Appendix: A

Specifications

| | |
|---|------------|
| A.1 HEAVY DUTY AND NORMAL DUTY RATINGS | 388 |
| A.2 THREE-PHASE 200 V CLASS DRIVES | 389 |
| A.3 THREE-PHASE 400 V CLASS DRIVES | 390 |
| A.4 DRIVE SPECIFICATIONS | 391 |
| A.5 DRIVE WATT LOSS DATA | 393 |
| A.6 DRIVE DERATING DATA | 394 |

A.1 Heavy Duty and Normal Duty Ratings

The capacity of the drive is based on two types of load characteristics: Heavy Duty (HD) and Normal Duty (ND).

Refer to [Selecting the Appropriate Load Rating on page 388](#) for the differences between HD and ND.

Table A.1 Selecting the Appropriate Load Rating

| Setting Parameter C6-01 | Rated Output Current | Overload Tolerance | Default Carrier Frequency |
|-------------------------|-------------------------------|--|---------------------------|
| 0: Heavy Duty (default) | HD Rating varies by model </> | 150% rated output current for 60 s | 2 kHz |
| 1: Normal Duty | ND Rating varies by model </> | 120% rated output current for 60 s varies by model | 2 kHz, Swing PWM |

<1> Refer to [Three-Phase 200 V Class Drives on page 389](#) and [Three-Phase 400 V Class Drives on page 390](#) for information on rating changes based on drive model.



HD and ND: HD refers to applications requiring constant torque output, while ND refers to applications with variable torque needs. The drive allows the user to select HD or ND torque depending on the application. Fans, pumps, and blowers should use ND (C6-01 = 1), and other applications generally use HD (C6-01 = 0).

Swing PWM: Swing PWM equivalent to a 2 kHz audible noise. This function turns the motor noise into a less obtrusive white noise.

Note: Differences between HD ratings and ND ratings for the drive include rated input and output current, overload capacity, carrier frequency, and current limit. The default setting is for HD (C6-01 = 0).

A.2 Three-Phase 200 V Class Drives

Table A.2 Power Ratings (Three-Phase 200 V Class)

| Item | | Specification | | | | | | | | | | | | | | | | | | |
|--|--|--|------|------|------|------|------|------|------|------|--------------------------------------|------|------|------|------|------|------|------|------|-----|
| CIMR-A□2A | | 0004 | 0006 | 0010 | 0012 | 0021 | 0030 | 0040 | 0056 | 0069 | 0081 | 0110 | 0138 | 0169 | 0211 | 0250 | 0312 | 0360 | 0415 | |
| Maximum Applicable Motor Capacity (kW) <1> | HD Rating | 0.55 | 1.1 | 1.5 | 2.2 | 4.0 | 5.5 | 7.5 | 11 | 15 | 18.5 | 22 | 30 | 37 | 45 | 55 | 75 | 90 | 110 | |
| | ND Rating | 0.75 | 1.1 | 2.2 | 3 | 5.5 | 7.5 | 11 | 15 | 18.5 | 22 | 30 | 37 | 45 | 55 | 75 | 90 | 110 | 110 | |
| Input | Input Current (A) <2> | HD Rating | 2.9 | 5.8 | 7.5 | 11 | 18.9 | 28 | 37 | 52 | 68 | 80 | 82 | 111 | 136 | 164 | 200 | 271 | 324 | 394 |
| | | ND Rating | 3.9 | 7.3 | 10.8 | 13.9 | 24 | 37 | 52 | 68 | 80 | 96 | 111 | 136 | 164 | 200 | 271 | 324 | 394 | 471 |
| | Rated Voltage | Three-phase 200 to 240 Vac 50/60 Hz/270 to 340 Vdc | | | | | | | | | | | | | | | | | | |
| | Rated Frequency | Three-phase 200 to 240 Vac 50/60 Hz/270 to 340 Vdc | | | | | | | | | | | | | | | | | | |
| | Allowable Voltage Fluctuation | -15 to 10% | | | | | | | | | | | | | | | | | | |
| | Allowable Frequency Fluctuation | ±5% | | | | | | | | | | | | | | | | | | |
| | Input Power (kVA) | HD Rating | 1.3 | 2.2 | 4.1 | 5.8 | 9.5 | 14 | 18 | 27 | 36 | 44 | 37 | 51 | 62 | 75 | 91 | 124 | 148 | 180 |
| | | ND Rating | 2.2 | 3.1 | 5.8 | 7.8 | 14 | 18 | 27 | 36 | 44 | 52 | 51 | 62 | 75 | 91 | 124 | 148 | 180 | 215 |
| Output | Rated Output Capacity (kVA) <3> | HD Rating | 1.2 | 1.9 | 3 | 4.2 | 6.7 | 9.5 | 12.6 | 17.9 | 23 | 29 | 32 | 44 | 55 | 69 | 82 | 108 | 132 | 158 |
| | | ND Rating | 1.3 | 2.3 | 3.7 | 4.6 | 8 | 11.4 | 15.2 | 21 | 26 | 31 | 42 | 53 | 64 | 80 | 95 | 119 | 137 | 158 |
| | Rated Output Current (A) | HD Rating | 3.2 | 5 | 8 | 11 | 17.5 | 25 | 33 | 47 | 60 | 75 | 85 | 115 | 145 | 180 | 215 | 283 | 346 | 415 |
| | | ND Rating <4> | 3.5 | 6 | 9.6 | 12 | 21 | 30 | 40 | 56 | 69 | 81 | 110 | 138 | 169 | 211 | 250 | 312 | 360 | 415 |
| Overload Tolerance | HD Rating: 150% of rated output current for 60 s (Derating may be required for applications that start and stop frequently) ND Rating: 120% of rated output current for 60 s | | | | | | | | | | | | | | | | | | | |
| Carrier Frequency | User adjustable between 2 and 15 kHz | | | | | | | | | | User adjustable between 2 and 10 kHz | | | | | | | | | |
| Maximum Output Voltage (V) | Three-phase 200 to 240 V (proportional to input voltage) | | | | | | | | | | | | | | | | | | | |
| Maximum Output Frequency (Hz) | 400 Hz (user-set) | | | | | | | | | | | | | | | | | | | |

<1> The motor capacity (kW) refers to a Yaskawa 4-pole motor. The rated output current of the drive output amps should be equal to or greater than the motor rated current.

<2> Assumes operation at the rated output current. Input current rating varies depending on the power supply transformer, input reactor, wiring connections, and power supply impedance.

<3> Rated motor capacity is calculated with a rated output voltage of 220 V.

<4> Carrier frequency is set to 2 kHz. Current derating is required in order to raise the carrier frequency.

<5> Carrier frequency can be increased up the 8 kHz while keeping this current rating. Higher carrier frequency settings require derating.

<6> Carrier frequency can be increased up the 5 kHz while keeping this current rating. Higher carrier frequency settings require derating.

A.3 Three-Phase 400 V Class Drives

Table A.3 Power Ratings (Three-Phase 400 V Class)

| Item | | Specification | | | | | | | | | | | | | | |
|--|----------------------------------|--|------|------|------|------|------|------|------|------|------|------|------|------|------|------|
| CIMR-A□4A | | 0002 | 0004 | 0005 | 0007 | 0009 | 0011 | 0018 | 0023 | 0031 | 0038 | 0044 | 0058 | 0072 | 0088 | 0103 |
| Maximum Applicable Motor Capacity (kW) <1> | HD Rating | 0.55 | 1.1 | 1.5 | 2.2 | 3 | 4.0 | 5.5 | 7.5 | 11 | 15 | 18.5 | 22 | 30 | 37 | 45 |
| | ND Rating | 0.75 | 1.5 | 2.2 | 3 | 4.0 | 5.5 | 7.5 | 11 | 15 | 18.5 | 22 | 30 | 37 | 45 | 55 |
| Input Current (A) <2> | HD Rating | 1.8 | 3.2 | 4.4 | 6 | 8.2 | 10.4 | 15 | 20 | 29 | 39 | 44 | 43 | 58 | 71 | 86 |
| | ND Rating | 2.1 | 4.3 | 5.9 | 8.1 | 9.4 | 14 | 20 | 24 | 38 | 44 | 52 | 58 | 71 | 86 | 105 |
| Input | Rated Voltage Rated Frequency | Three-phase 380 to 480 Vac 50/60 Hz/510 to 680 Vdc | | | | | | | | | | | | | | |
| | Allowable Voltage Fluctuation | -15 to 10% | | | | | | | | | | | | | | |
| | Allowable Frequency Fluctuation | ±5% | | | | | | | | | | | | | | |
| Input Power (kVA) | HD Rating | 1.4 | 2.3 | 4.3 | 6.1 | 8.1 | 10.0 | 14.6 | 19.2 | 28.4 | 37.5 | 46.6 | 39.3 | 53.0 | 64.9 | 78.6 |
| | ND Rating | 2.3 | 4.3 | 6.1 | 8.1 | 10.0 | 14.5 | 19.4 | 28.4 | 37.5 | 46.6 | 54.9 | 53.0 | 64.9 | 78.6 | 96.0 |
| Rated Output Capacity (kVA) <3> | HD Rating | 1.4 | 2.6 | 3.7 | 4.2 | 5.5 | 7 | 11.3 | 13.7 | 18.3 | 24 | 30 | 34 | 48 | 57 | 69 |
| | ND Rating <4> | 1.6 | 3.1 | 4.1 | 5.3 | 6.7 | 8.5 | 13.3 | 17.5 | 24 | 29 | 34 | 44 | 55 | 67 | 78 |
| Rated Output Current (A) | HD Rating | 1.8 | 3.4 | 4.8 | 5.5 | 7.2 | 9.2 | 14.8 | 18 | 24 | 31 | 39 | 45 | 60 | 75 | 91 |
| | ND Rating <4> | <5> | <5> | <5> | <5> | <5> | <5> | <5> | <5> | <5> | <5> | <5> | <5> | <5> | <5> | <5> |
| Output | Overload Tolerance | HD Rating: 150% of rated output current for 60 s (Derating may be required for applications that start and stop frequently) ND Rating: 120% of rated output current for 60 s | | | | | | | | | | | | | | |
| | Carrier Frequency | User adjustable between 2 and 15 kHz | | | | | | | | | | | | | | |
| | Maximum Output Voltage (V) | Three-phase 380 to 480 V (proportional to input voltage) | | | | | | | | | | | | | | |
| | Maximum Output Frequency (Hz) | 400 Hz (user-adjustable) | | | | | | | | | | | | | | |

Table A.4 Power Ratings (Three-Phase 400 V Class)

| Item | | Specification | | | | | | | | |
|--|----------------------------------|--|-------|------|------|------|------------------------------------|------|------|------|
| CIMR-A□4A | | 0139 | 0165 | 0208 | 0250 | 0296 | 0362 | 0414 | 0515 | 0675 |
| Maximum Applicable Motor Capacity (kW) <1> | HD Rating | 55 | 75 | 90 | 110 | 132 | 160 | 185 | 220 | 315 |
| | ND Rating | 75 | 90 | 110 | 132 | 160 | 185 | 220 | 250 | 355 |
| Input Current (A) <2> | HD Rating | 105 | 142 | 170 | 207 | 248 | 300 | 346 | 410 | 584 |
| | ND Rating | 142 | 170 | 207 | 248 | 300 | 346 | 410 | 465 | 657 |
| Input | Rated Voltage Rated Frequency | Three-phase 380 to 480 Vac 50/60 Hz/510 to 680 Vdc | | | | | | | | |
| | Allowable Voltage Fluctuation | -15 to 10% | | | | | | | | |
| | Allowable Frequency Fluctuation | ±5% | | | | | | | | |
| Input Power (kVA) | HD Rating | 96.0 | 129.9 | 155 | 189 | 227 | 274 | 316 | 375 | 508 |
| | ND Rating | 129.9 | 155.5 | 189 | 227 | 274 | 316 | 375 | 416 | 601 |
| Rated Output Capacity (kVA) <3> | HD Rating | 85 | 114 | 137 | 165 | 198 | 232 | 282 | 343 | 461 |
| | ND Rating <4> | 106 | 126 | 159 | 191 | 226 | 276 | 316 | 392 | 514 |
| Rated Output Current (A) | HD Rating | 112 | 150 | 180 | 216 | 260 | 304 | 370 | 450 | 605 |
| | ND Rating <4> | <6> | <6> | <6> | <6> | <6> | <4> | <6> | <4> | <4> |
| Output | Overload Tolerance | HD Rating: 150% of rated output current for 60 s (Derating may be required for applications that start and stop frequently) ND Rating: 120% of rated output current for 60 s | | | | | | | | |
| | Carrier Frequency | User adjustable between 2 and 10 kHz | | | | | User adjustable between 2 to 5 kHz | | | |
| | Maximum Output Voltage (V) | Three-phase 380 to 480 V (proportional to input voltage) | | | | | | | | |
| | Maximum Output Frequency (Hz) | 400 Hz (user-adjustable) | | | | | 150 Hz (user-adjustable) | | | |

- <1> The motor capacity (kW) refers to a Yaskawa 4-pole motor. The rated output current of the drive output amps should be equal to or greater than the motor rated current.
- <2> Assumes operation at the rated output current. Input current rating varies depending on the power supply transformer, input reactor, wiring conditions, and power supply impedance.
- <3> Rated motor capacity is calculated with a rated output voltage of 440 V.
- <4> Carrier frequency is set to 2 kHz. Current derating is required in order to raise the carrier frequency.
- <5> Carrier frequency can be increased up to the 8 kHz while keeping this current rating. Higher carrier frequency settings require derating.
- <6> Carrier frequency can be increased up to the 5 kHz while keeping this current rating. Higher carrier frequency settings require derating.

A.4 Drive Specifications

- Note:** 1. Perform rotational Auto-Tuning to obtain the performance specifications given below.
2. For optimum performance life of the drive, install the drive in an environment that meets the required specifications.

| Item | Specification | |
|-------------------------------|---|--|
| Control Characteristics | Control Method | The following control methods can be set using drive parameters: <ul style="list-style-type: none"> • V/f Control (V/f) • V/f Control with PG (V/f w/PG) • Open Loop Vector Control (OLV) • Closed Loop Vector Control (CLV) • Open Loop Vector Control for PM (OLV/PM) • Advanced Open Loop Vector Control for PM (AOLV/PM) • Closed Loop Vector Control for PM (CLV/PM) |
| | Frequency Control Range | 0.01 to 400 Hz |
| | Frequency Accuracy (Temperature Fluctuation) | Digital input: within $\pm 0.01\%$ of the max output frequency (-10 to +40°C) Analog input: within $\pm 0.1\%$ of the max output frequency (25°C $\pm 10^\circ\text{C}$) |
| | Frequency Setting Resolution | Digital inputs: 0.01 Hz Analog inputs: 1/2048 of the maximum output frequency setting (11 bit plus sign) |
| | Output Frequency Resolution | 0.001 Hz |
| | Frequency Setting Signal | -10 to 10 V, 0 to 10 V, 0 to 20 mA, 4 to 20 mA, Pulse Train Input |
| | Starting Torque <f> | V/f, V/f w/PG: 150% at 3 Hz OLV: 200% at 0.3 Hz CLV, AOLV/PM, CLV/PM: 200% at 0 r/min OLV/PM: 100% at 5% speed |
| | Speed Control Range <f> | V/f, V/f w/PG: 1:40 OLV: 1:200 CLV, CLV/PM: 1:1500 OLV/PM: 1:20 AOLV/PM: 1:100 |
| | Speed Control Accuracy <f> | OLV: $\pm 0.2\%$ (25°C $\pm 10^\circ\text{C}$), CLV: $\pm 0.02\%$ (25°C $\pm 10^\circ\text{C}$) |
| | Speed Response <f> | OLV, OLV/PM, AOLV/PM: 10 Hz CLV, CLV/PM: 50 Hz |
| | Torque Limit | Parameters setting allow separate limits in four quadrants (available in OLV, CLV, AOLV/PM, CLV/PM) |
| | Accel/Decel Time | 0.0 to 6000.0 s (4 selectable combinations of independent acceleration and deceleration settings) |
| | Braking Torque | Approx. 20% (approx. 125% when using braking resistor) <f> ① Short-time decel torque <f>: over 100% for 0.4/ 0.75 kW motors, over 50% for 1.5 kW motors, and over 20% for 2.2 kW and above motors <f> (over excitation braking/High Slip Braking: approx. 40%) ② Continuous regenerative torque: approx. 20% <f> (approx. 125% with dynamic braking resistor option <f>: 10% ED, 10s) |
| | Braking Transistor | Models 2A0004 to 2A0138, 4A0002 to 4A0072 have a built-in braking transistor. |
| V/f Characteristics | User-selected programs and V/f preset patterns possible | |
| Main Control Functions | Torque Control, Droop Control, Speed/torque Control Switching, Feed Forward Control, Zero Servo Function, Momentary Power Loss Ride-Thru, Speed Search, Overtorque/Undertorque Detection, Torque Limit, 17 Step Speed (max), Accel/decel Switch, S-curve Accel/decel, 3-wire Sequence, Auto-tuning (rotational, stationary tuning), Dwell, Cooling Fan on/off Switch, Slip Compensation, Torque Compensation, Frequency Jump, Upper/lower Limits for Frequency Reference, DC Injection Braking at Start and Stop, Overexcitation Braking, High Slip Braking, PID Control (with sleep function), Energy Saving Control, MEMOBUS/Modbus Comm. (RS-422/485 max, 115.2 kbps), Fault Restart, Application Presets, DriveWorksEZ (customized function), Removable Terminal Block with Parameter Backup Function, Online Tuning, KEB, Overexcitation Deceleration, Inertia (ASR) Tuning, Overvoltage Suppression, High Frequency Injection, etc. | |
| Protection Functions | Motor Protection | Electronic thermal overload relay |
| | Momentary Overcurrent Protection | Drive stops when output current exceeds 200% of Heavy Duty Rating |
| | Overload Protection | Drive stops after 60 s at 150% of rated Heavy Duty output current <f> |
| | Overvoltage Protection | 200 V class: Stops when DC bus voltage exceeds approx. 410 V 400 V class: Stops when DC bus voltage exceeds approx. 820 V |
| | Undervoltage Protection | 200 V class: Stops when DC bus voltage falls below approx. 190 V 400 V class: Stops when DC bus voltage falls below approx. 380 V |
| | Momentary Power Loss Ride-Thru | Immediately stop after 15 ms or longer power loss. <f> Continuous operation during power loss than 2 s (standard) <f> |
| | Heatsink Overheat Protection | Thermistor |
| | Braking Resistor Overheat Protection | Overheat input signal for braking resistor (Optional ERF-type, 3% ED) |
| | Stall Prevention | Stall Prevention is available during acceleration, deceleration, and during run. |
| | Ground Protection | Electronic circuit protection <f> |
| DC Bus Charge LED | Remains lit until DC bus voltage falls below 50 V | |
| Environment | Area of Use | Indoors |
| | Ambient Temperature | -10 to 40°C (NEMA Type 1 enclosure), -10 to 50°C (IP00 enclosure), up to 60°C with output current derating |
| | Humidity | 95 RH% or less (no condensation) |
| | Storage Temperature | -20 to 60°C (short-term temperature during transportation) |
| | Altitude | Up to 1000 meters without derating, up to 3000m with output current and voltage derating |
| Vibration / Shock | 10 to 20 Hz: 9.8 m/s ² 20 to 55 Hz: 5.9 m/s ² (2A0004 to 2A0211, 4A0002 to 4A0165) 2.0 m/s ² (2A0250 to 2A0415, 4A0208 to 4A0675) | |
| Safety Standard | Two Safe Disable inputs and 1 EDM output according to EN61800-5-1, EN954-1/ISO13849 Cat. 3, IEC/EN61508 SIL2, Insulation coordination: class 1 Note: Time from input open to drive output stop is less than 1 ms | |
| Protection Design | IP00 enclosure, IP20/NEMA Type 1 enclosure <f> | |

A.4 Drive Specifications

- <1> The accuracy of these values depends on motor characteristics, ambient conditions, and drive settings. Specifications may vary with different motors and with changing motor temperature. Contact Yaskawa for consultation.
- <2> Ensure that Stall Prevention is disabled during deceleration (L3-04 = 0), when using a regenerative converter, a regenerative unit, a braking resistor or the Braking Resistor Unit. The default setting for the Stall Prevention function will interfere with the braking resistor.
- <3> Instantaneous average deceleration torque refers to the torque required to decelerate the motor (uncoupled from the load) from the rated motor speed down to zero in the shortest time.
- <4> Actual specifications may vary according to motor characteristics.
- <5> Overload protection may be triggered when operating with 150% of the rated output current if the output frequency is less than 6 Hz.
- <6> May be shorter due to load conditions and motor speed.
- <7> A separate Momentary Power Loss Ride-Thru Unit is required for the drives CIMR-A□2A0004 through 2A0056 and 4A0002 through 4A0031 if the application needs to continue running during a momentary power loss up to 2 s.
- <8> Ground protection cannot be provided when the impedance of the ground fault path is too low, or when the drive is powered up while a ground fault is present at the output.
- <9> Removing the top protective cover from a NEMA Type 1 enclosure drive voids the NEMA Type 1 protection but still keeps IP20 conformity. This is applicable to models 2A0004 to 2A0081 and 4A0002 to 4A0044.

A.5 Drive Watt Loss Data

Table A.5 Watt Loss 200 V Class Three-Phase Models

| Model Number CIMR-A□ | Heavy Duty | | | | Normal Duty | | | |
|-------------------------|----------------|-------------------|------------------------|----------------|-----------------------|-------------------|------------------------|----------------|
| | Rated Amps (A) | Heatsink Loss (W) | Interior Unit Loss (W) | Total Loss (W) | Rated Amps (A) <3> | Heatsink Loss (W) | Interior Unit Loss (W) | Total Loss (W) |
| 2A0004 | 3.2 <1> | 14.8 | 44 | 59 | 3.5 | 18.4 | 47 | 66 |
| 2A0006 | 5.0 <1> | 24 | 48 | 72 | 6.0 | 31 | 51 | 82 |
| 2A0010 | 8.0 <1> | 43 | 52 | 95 | 9.6 | 57 | 58 | 115 |
| 2A0012 | 11.0 <1> | 64 | 58 | 122 | 12.0 | 77 | 64 | 141 |
| 2A0021 | 17.5 <1> | 101 | 67 | 168 | 21 | 138 | 83 | 222 |
| 2A0030 | 25 <1> | 194 | 92 | 287 | 30 | 262 | 117 | 379 |
| 2A0040 | 33 <1> | 214 | 105 | 319 | 40 | 293 | 145 | 437 |
| 2A0056 | 47 <1> | 280 | 130 | 410 | 56 | 371 | 175 | 546 |
| 2A0069 | 60 <1> | 395 | 163 | 558 | 69 | 491 | 205 | 696 |
| 2A0081 | 75 <1> | 460 | 221 | 681 | 81 | 527 | 257 | 785 |
| 2A0110 | 85 <1> | 510 | 211 | 721 | 110 | 719 | 286 | 1005 |
| 2A0138 | 115 <1> | 662 | 250 | 912 | 138 | 842 | 312 | 1154 |
| 2A0169 | 145 <1> | 816 | 306 | 1122 | 169 | 1014 | 380 | 1394 |
| 2A0211 | 180 <2> | 976 | 378 | 1354 | 211 | 1218 | 473 | 1691 |
| 2A0250 | 215 <2> | 1514 | 466 | 1980 | 250 | 1764 | 594 | 2358 |
| 2A0312 | 283 <2> | 1936 | 588 | 2524 | 312 | 2020 | 665 | 2686 |
| 2A0360 | 346 <2> | 2564 | 783 | 3347 | 360 | 2698 | 894 | 3591 |
| 2A0415 | 415 <2> | 2672 | 954 | 3626 | 415 | 2672 | 954 | 3626 |

<1> These values assume the carrier frequency is set to 8 kHz.

<2> These values assume the carrier frequency is set to 5 kHz.

<3> These values assume the carrier frequency is set to 2 kHz.

Table A.6 Watt Loss 400 V Class Three-Phase Models

| Model Number CIMR-A□ | Heavy Duty | | | | Normal Duty | | | |
|-------------------------|----------------|-------------------|------------------------|----------------|-----------------------|-------------------|------------------------|----------------|
| | Rated Amps (A) | Heatsink Loss (W) | Interior Unit Loss (W) | Total Loss (W) | Rated Amps (A) <3> | Heatsink Loss (W) | Interior Unit Loss (W) | Total Loss (W) |
| 4A0002 | 1.8 <1> | 15.9 | 45 | 61 | 2.1 | 20 | 48 | 68 |
| 4A0004 | 3.4 <1> | 25 | 46 | 70 | 4.1 | 32 | 49 | 81 |
| 4A0005 | 4.8 <1> | 37 | 49 | 87 | 5.4 | 45 | 53 | 97 |
| 4A0007 | 5.5 <1> | 48 | 53 | 101 | 6.9 | 62 | 59 | 121 |
| 4A0009 | 7.2 <1> | 53 | 55 | 108 | 8.8 | 66 | 60 | 126 |
| 4A0011 | 9.2 <1> | 69 | 61 | 130 | 11.1 | 89 | 73 | 162 |
| 4A0018 | 14.8 <1> | 135 | 86 | 221 | 17.5 | 177 | 108 | 285 |
| 4A0023 | 18.0 <1> | 150 | 97 | 247 | 23 | 216 | 138 | 354 |
| 4A0031 | 24 <1> | 208 | 115 | 323 | 31 | 295 | 161 | 455 |
| 4A0038 | 31 <1> | 263 | 141 | 403 | 38 | 340 | 182 | 521 |
| 4A0044 | 39 <1> | 330 | 179 | 509 | 44 | 390 | 209 | 599 |
| 4A0058 | 45 <1> | 349 | 170 | 518 | 58 | 471 | 215 | 686 |
| 4A0072 | 60 <1> | 484 | 217 | 701 | 72 | 605 | 265 | 870 |
| 4A0088 | 75 <1> | 563 | 254 | 817 | 88 | 684 | 308 | 993 |
| 4A0103 | 91 <1> | 723 | 299 | 1022 | 103 | 848 | 357 | 1205 |
| 4A0139 | 112 <1> | 908 | 416 | 1325 | 139 | 1215 | 534 | 1749 |
| 4A0165 | 150 <2> | 1340 | 580 | 1920 | 165 | 1557 | 668 | 2224 |
| 4A0208 | 180 <2> | 1771 | 541 | 2313 | 208 | 1800 | 607 | 2408 |
| 4A0250 | 216 <2> | 2360 | 715 | 3075 | 250 | 2379 | 803 | 3182 |
| 4A0296 | 260 <2> | 2391 | 787 | 3178 | 296 | 2448 | 905 | 3353 |
| 4A0362 | 304 <2> | 3075 | 985 | 4060 | 362 | 3168 | 1130 | 4298 |
| 4A0414 | 370 <2> | 3578 | 1164 | 4742 | 414 | 3443 | 1295 | 4738 |
| 4A0515 | 450 <2> | 3972 | 1386 | 5358 | 515 | 4850 | 1668 | 6518 |
| 4A0675 | 605 <2> | 4191 | 1685 | 5875 | 675 | 4861 | 2037 | 6898 |

<1> These values assume the carrier frequency is set to 8 kHz.

<2> These values assume the carrier frequency is set to 5 kHz.

<3> These values assume the carrier frequency is set to 2 kHz.

A.6 Drive Derating Data

The drive can be operated at above the rated temperature, altitude, and default carrier frequency by derating the drive capacity.

◆ Carrier Frequency Derating

As the carrier frequency of the drive is increased above the factory default setting, the drive's rated output current must be derated according to [Figure A.1](#) to [Figure A.6](#).

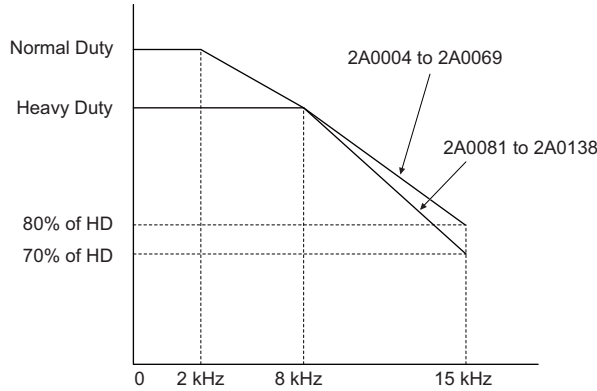


Figure A.1 Carrier Frequency Derating (CIMR-A□2A0004 to 2A0138)

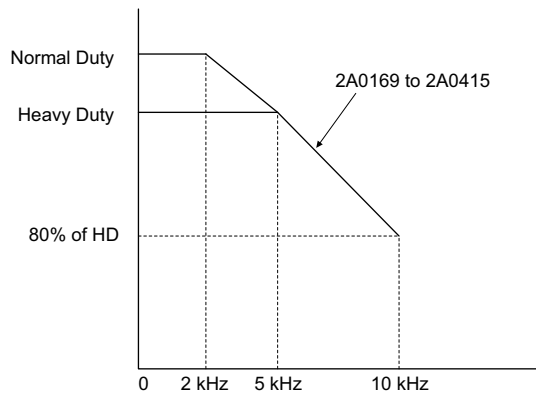


Figure A.2 Carrier Frequency Derating (CIMR-A□2A0169 to 2A0415)

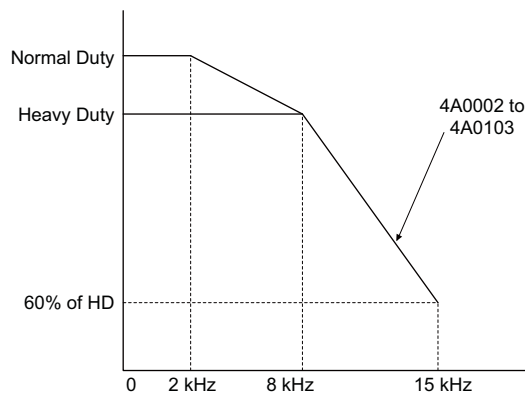


Figure A.3 Carrier Frequency Derating (CIMR-A□4A0002 to 4A0103)

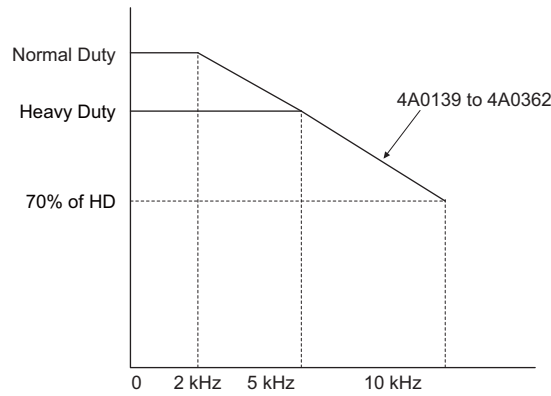


Figure A.4 Carrier Frequency Derating (CIMR-A□4A0139 to 4A0362)

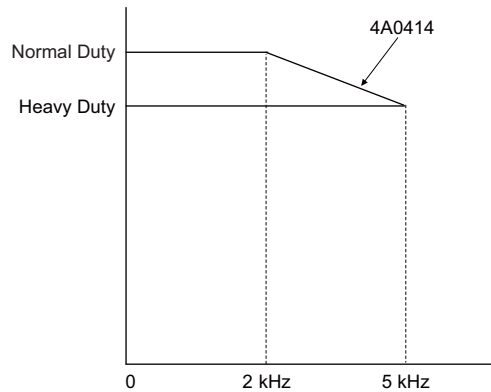


Figure A.5 Carrier Frequency Derating (CIMR-A4A0414)

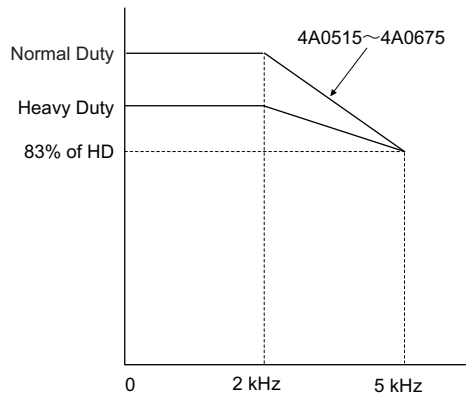


Figure A.6 Carrier Frequency Derating (CIMR-A□4A0515 and 4A0675)

◆ Temperature Derating

To ensure the maximum performance life, the drives output current must be derated like shown in *Figure A.7* when the drive is installed in areas with high ambient temperature or if drives are Side-by-Side mounted in a cabinet. In order to ensure reliable drive overload protection, the parameters L8-12 and L8-35 must also be set according to the installation conditions.

■ Parameter Settings

| No. | Name | Description | Range | Def. |
|-------|-------------------------------|---|-----------|------|
| L8-12 | Ambient Temperature Setting | Adjust the drive overload (oL2) protection level when the drive is installed in an environment that exceeds its ambient temperature rating. | -10 to 50 | 40°C |
| L8-35 | Installation Method Selection | 0: IP00 Enclosure 1: Side-by-Side Mounting 2: NEMA Type 1 Enclosure 3: Finless Drive or External Heatsink Installation | 0 to 3 | 0 |

A.6 Drive Derating Data

IP00 Enclosure

Drive operation between -10°C and 50°C allows 100% continuous current without derating.

Side-by-Side Mounting

Drive operation between -10°C and 30°C allows 100% continuous current without derating. Operation between 30°C and 50°C requires output current derating.

NEMA Type 1 Enclosure

Drive operation between -10°C and 40°C allows 100% continuous current without derating. Operation between 40°C and 50°C requires output current derating.

External Heatsink Installation, Finless Drive

Drive operation between -10°C and 40°C allows 100% continuous current without derating. Operation between 40°C and 50°C requires output current derating.

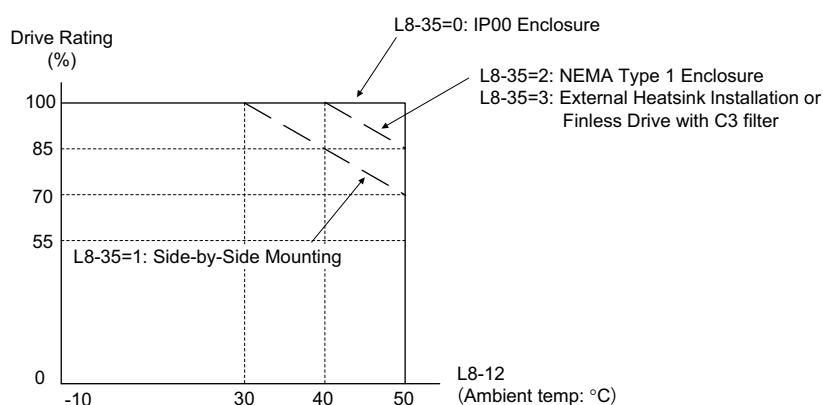


Figure A.7 Ambient Temperature and Installation Method Derating

◆ Altitude Derating

The drive standard ratings are valid for an installation altitude up to 1000 m. If the altitude exceeds 1000 m both the drive rated voltage and the rated output current must be derated for 1% per 100 m. The maximum altitude is 3000 m.



Appendix: B

Parameter List

This appendix contains a full listing of all parameters and settings available in the drive.

| | |
|--|------------|
| B.1 UNDERSTANDING THE PARAMETER TABLE | 398 |
| B.2 PARAMETER GROUPS | 399 |
| B.3 PARAMETER TABLE | 400 |
| B.4 CONTROL MODE DEPENDENT PARAMETER DEFAULT VALUES | 454 |
| B.5 V/F PATTERN DEFAULT VALUES | 456 |
| B.6 DEFAULTS BY DRIVE MODEL SELECTION (O2-04) AND ND/HD (C6-01) | 457 |
| B.7 PARAMETERS THAT CHANGE WITH THE MOTOR CODE SELECTION | 463 |










B.1 Understanding the Parameter Table

◆ Control Modes, Symbols, and Terms

The table below lists terms and symbols used in this section to indicate which parameters are available in which control modes.

Note: For detailed instructions on each control mode, *Refer to Control Mode Selection on page 28.*

Table B.1 Symbols and Icons Used in the Parameter Table

| Symbol | Description |
|---|--|
|  | Indicates the parameter is accessible in all control modes. |
|  | Parameter is available when operating the drive with V/f Control. |
|  | Parameter is available when operating the drive with V/f with PG Control. |
|  | Parameter is available when operating the drive with Open Loop Vector. |
|  | Parameter is available when operating the drive with Closed Loop Vector. |
|  | Parameter is available when operating the drive with Open Loop Vector for PM motors. |
|  | Parameter is available when operating the drive with Advanced Open Loop Vector for PM motors. |
|  | Parameter is available when operating the drive with Closed Loop Vector for PM motors. |
|  | Indicates this parameter can be changed during run. |
| Motor 2 | Refers to a second motor when the drive is operating two motors. Switch between these motors using the multi-function input terminals. |

Note: If a parameter is not available in a certain control mode, the symbol for that control mode is grayed out.

B.2 Parameter Groups

| Parameter Group | Name | Page | Parameter Group | Name | Page |
|-----------------|---|------|-----------------|--|------|
| A1 | Initialization Parameters | 400 | H2 | Multi-Function Digital Outputs | 427 |
| A2 | User Parameters | 400 | H3 | Multi-Function Analog Inputs | 430 |
| b1 | Operation Mode Selection | 401 | H4 | Multi-Function Analog Outputs | 432 |
| b2 | DC Injection Braking and Short Circuit Braking | 402 | H5 | MEMOBUS/Modbus Serial Communication | 432 |
| b3 | Speed Search | 402 | H6 | Pulse Train Input/Output | 433 |
| b4 | Timer Function | 403 | L1 | Motor Protection | 434 |
| b5 | PID Control | 403 | L2 | Momentary Power Loss Ride-Thru | 434 |
| b6 | Dwell Function | 405 | L3 | Stall Prevention | 435 |
| b7 | Droop Control | 405 | L4 | Speed Detection | 436 |
| b8 | Energy Saving | 405 | L5 | Fault Restart | 437 |
| b9 | Zero Servo | 405 | L6 | Torque Detection | 437 |
| C1 | Acceleration and Deceleration Times | 406 | L7 | Torque Limit | 438 |
| C2 | S-Curve Characteristics | 406 | L8 | Drive Protection | 438 |
| C3 | Slip Compensation | 407 | n1 | Hunting Prevention | 439 |
| C4 | Torque Compensation | 407 | n2 | Speed Feedback Detection Control (AFR) Tuning | 440 |
| C5 | Automatic Speed Regulator (ASR) | 408 | n3 | High Slip Braking (HSB) and Overexcitation Braking | 440 |
| C6 | Carrier Frequency | 409 | n5 | Feed Forward Control | 441 |
| d1 | Frequency Reference | 411 | n6 | Online Tuning | 441 |
| d2 | Frequency Upper/Lower Limits | 412 | n8 | PM Motor Control Tuning | 441 |
| d3 | Jump Frequency | 412 | o1 | Digital Operator Display Selection | 442 |
| d4 | Frequency Reference Hold and Up/Down 2 Function | 412 | o2 | Digital Operator Keypad Functions | 443 |
| d5 | Torque Control | 413 | o3 | Copy Function | 443 |
| d6 | Field Weakening and Field Forcing | 413 | o4 | Maintenance Monitor Settings | 443 |
| d7 | Offset Frequency | 414 | q | DriveWorksEZ Parameters | 444 |
| E1 | V/f Pattern for Motor 1 | 414 | r | DriveWorksEZ Connection Parameters | 444 |
| E2 | Motor 1 Parameters | 415 | T1 | Induction Motor Auto-Tuning | 444 |
| E3 | V/f Pattern for Motor 2 | 416 | T2 | PM Motor Auto-Tuning | 445 |
| E4 | Motor 2 Parameters | 416 | T3 | ASR and Inertia Tuning | 446 |
| E5 | PM Motor Settings | 417 | U1 | Operation Status Monitors | 447 |
| F1 | PG Speed Control Card (PG-B3/PG-X3) | 418 | U2 | Fault Trace | 449 |
| F2 | Analog Input Card (AI-A3) | 420 | U3 | Fault History | 450 |
| F3 | Digital Input Card (DI-A3) | 420 | U4 | Maintenance Monitors | 450 |
| F4 | Analog Monitor Card (AO-A3) | 420 | U5 | PID Monitors | 451 |
| F5 | Digital Output Card (DO-A3) | 421 | U6 | Operation Status Monitors | 451 |
| F6 | Communication Option Card | 421 | U8 | DriveWorksEZ Monitors | 453 |
| H1 | Multi-Function Digital Inputs | 423 | | | |

B.3 Parameter Table

◆ A: Initialization Parameters

The A parameter group creates the operating environment for the drive. This includes the parameter Access Level, Motor Control Method, Password, User Parameters and more.

■ A1: Initialization Parameters

| No.(Addr.) | Name | Description | Setting | Page |
|---------------------------------|---------------------------------|---|---|------|
| A1-00 (100H) ◀▶RUN <3> | Language Selection | All Modes 0: English 1: Japanese 2: German 3: French 4: Italian 5: Spanish 6: Portuguese 7: Chinese | Default: 0 Min: 0 Max: 7 | 130 |
| A1-01 (101H) ◀▶RUN <2> | Access Level Selection | All Modes 0: View and set A1-01 and A1-04. U□-□□ parameters can also be viewed. 1: User Parameters (access to a set of parameters selected by the user, A2-01 to A2-32) 2: Advanced Access (access to view and set all parameters) | Default: 2 Min: 0 Max: 2 | 130 |
| A1-02 (102H) <3> | Control Method Selection | All Modes 0: V/f Control 1: V/f Control with PG 2: Open Loop Vector Control 3: Closed Loop Vector Control 5: Open Loop Vector Control for PM 6: Advanced Open Loop Vector Control for PM 7: Closed Loop Vector Control for PM | Default: 0 Min: 0 Max: 7 | 130 |
| A1-03 (103H) | Initialize Parameters | All Modes 0: No initialization 1110: User Initialize (parameter values must be stored using parameter o2-03) 2220: 2-wire initialization 3330: 3-wire initialization 5550: oPE04 error reset | Default: 0 Min: 0 Max: 5550 | 131 |
| A1-04 (104H) | Password | All Modes When the value set into A1-04 does not match the value set into A1-05, parameters A1-01 through A1-03, A1-06, and A2-01 through A2-33 cannot be changed. | Default: 0000 Min: 0000 Max: 9999 | 132 |
| A1-05 (105H) | Password Setting | | | |
| A1-06 (127H) | Application Preset | All Modes 0: General-purpose 1: Water supply pump 2: Conveyor 3: Exhaust fan 4: HVAC fan 5: Air compressor 6: Elevator 7: Hoist | Default: 0 Min: 0 Max: 7 | 134 |
| A1-07 (128H) | DriveWorksEZ Function Selection | All Modes 0: DWEZ disabled 1: DWEZ enabled 2: Digital input (enabled when H1-□□ = 9F) | Default: 0 Min: 0 Max: 2 | 134 |

<2> Default setting value is dependent on the Application Preset selected with parameter A1-06.

<3> Parameter setting value is not reset to the default value when the drive is initialized.

■ A2: User Parameters

| No.(Addr.) | Name | Description | Setting | Page |
|------------------------------------|------------------------------------|--|--|------|
| A2-01 to A2-32 (106 to 125H) | User Parameters 1 to 32 | All Modes Parameters that were recently edited are listed here. The user can also select parameters to appear here for quick access. | Default: <2> Min: b1-01 Max: o2-08 | 135 |
| A2-33 (126H) | User Parameter Automatic Selection | All Modes 0: Parameters A2-01 through A2-32 are reserved for the user to create a list of User Parameters. 1: Save history of recently viewed parameters. Recently edited parameters will be saved to A2-17 through A2-32 for quick access. | Default: 1 <1> Min: 0 Max: 1 | 135 |

<1> Default setting value is dependent on parameter A1-06. This setting value is 0 when A1-06 = 0, and 1 when A1-06 does not equal 0.

<2> Default setting value is determined by the Application Preset selected with parameter A1-06.

◆ **b: Application**

Application parameters configure the source of the Run command, DC Injection Braking, Speed Search, timer functions, PID control, the Dwell function, Energy Savings, and a variety of other application-related settings.

■ **b1: Operation Mode Selection**

| No.(Addr.) | Name | Description | Setting | Page |
|-----------------|---|--|-------------------------------------|------|
| b1-01 (180H) | Frequency Reference Selection 1 | <p>All Modes</p> <p>0: Digital operator 1: Analog input terminals 2: MEMOBUS/Modbus communications 3: Option PCB 4: Pulse input (terminal RP)</p> | Default: 1 Min: 0 Max: 4 | 136 |
| b1-02 (181H) | Run Command Selection 1 | <p>All Modes</p> <p>0: Digital operator 1: Digital input terminals 2: MEMOBUS/Modbus communications 3: Option PCB</p> | Default: 1 Min: 0 Max: 3 | 137 |
| b1-03 (182H) | Stopping Method Selection | <p>All Modes</p> <p>0: Ramp to stop 1: Coast to stop 2: DC Injection Braking to stop 3: Coast with timer 9: Simple Positioning</p> | Default: 0 Min: 0 Max: 9 <I1> | 138 |
| b1-04 (183H) | Reverse Operation Selection | <p>All Modes</p> <p>0: Reverse enabled. 1: Reverse disabled.</p> | Default: 0 Min: 0 Max: 1 | 140 |
| b1-05 (184H) | Action Selection below Minimum Output Frequency | <p>V/f V/f w/PG OLV CLV</p> <p>OLV/PM AOLV/PM CLV/PM</p> <p>0: Operates according to frequency reference (E1-09 is disabled). 1: Output shuts off (coast to stop if less than E1-09). 2: Operates according to E1-09 (frequency reference set to E1-09). 3: Zero speed (frequency reference becomes zero when less than E1-09).</p> | Default: 0 Min: 0 Max: 3 | 140 |
| b1-06 (185H) | Digital Input Reading | <p>All Modes</p> <p>0: Input status is read once and processed immediately (for quick response) 1: Input is read twice and processed only if the status is the same in both readings (robust against noisy signals)</p> | Default: 1 Min: 0 Max: 1 | 142 |
| b1-07 (186H) | LOCAL/REMOTE Run Selection | <p>All Modes</p> <p>0: An external Run command has to be cycled at the new source to be activated. 1: An external Run command at new source is accepted immediately.</p> | Default: 0 Min: 0 Max: 1 | 142 |
| b1-08 (187H) | Run Command Selection while in Programming Mode | <p>All Modes</p> <p>0: Run command not accepted while in the Programming Mode. 1: Run command accepted while in the Programming Mode. 2: Prohibit entering Programming Mode during run.</p> | Default: 0 Min: 0 Max: 2 | 143 |
| b1-14 (1C3H) | Phase Order Selection | <p>V/f V/f w/PG OLV CLV</p> <p>OLV/PM AOLV/PM CLV/PM</p> <p>0: Standard 1: Switch phase order (reverses the direction of the motor)</p> | Default: 0 Min: 0 Max: 1 | 143 |
| b1-15 (1C4H) | Frequency Reference Selection 2 | <p>All Modes</p> <p>Enabled when an input terminal set for "External reference" (H1-□□ = 2) closes.</p> <p>0: Digital operator 1: Terminals (analog input terminals) 2: MEMOBUS/Modbus communications 3: Option card 4: Pulse train input</p> | Default: 0 Min: 0 Max: 4 | 143 |
| b1-16 (1C5H) | Run Command Selection 2 | <p>All Modes</p> <p>Enabled when a terminal set for "External reference" (H1-□□ = 2) closes.</p> <p>0: Digital operator 1: Digital input terminals 2: MEMOBUS/Modbus communications 3: Option card</p> | Default: 0 Min: 0 Max: 3 | 143 |
| b1-17 (1C6H) | Run Command at Power Up | <p>All Modes</p> <p>0: Disregarded. A new Run command needs to be issued after power up. 1: Allowed. Motor will start immediately after power up if a Run command is already enabled.</p> | Default: 0 Min: 0 Max: 1 | 143 |

<I1> Setting 2 and 3 are not available when using CLV.

Parameter List

B

B.3 Parameter Table

■ b2: DC Injection Braking and Short Circuit Braking

| No.(Addr.) | Name | Description | Setting | Page |
|-----------------|--------------------------------------|---|--|------|
| b2-01 (189H) | DC Injection Braking Start Frequency | All Modes Sets the frequency at which DC Injection Braking starts when “Ramp to stop” (b1-03 = 0) is selected. | Default: <10> Min: 0.0 Hz Max: 10.0 Hz | 144 |
| b2-02 (18AH) | DC Injection Braking Current | V/f V/f w/PG OLV CLV OLV/PM AOLV/PM CLV/PM Sets the DC Injection Braking current as a percentage of the drive rated current. | Default: 50% Min: 0% Max: 100% | 145 |
| b2-03 (18BH) | DC Injection Braking Time at Start | All Modes Sets the time of DC Injection Braking (Zero Speed Control when in CLV and CLV/PM) time at start. Disabled when set to 0.00 s. | Default: 0.00 s Min: 0.00 s Max: 10.00 s | 145 |
| b2-04 (18CH) | DC Injection Braking Time at Stop | All Modes Sets the time of DC Injection Braking (Zero Speed Control when in CLV and CLV/PM) at stop. | Default: <10> Min: 0.00 s Max: 10.00 s | 145 |
| b2-08 (190H) | Magnetic Flux Compensation Value | V/f V/f w/PG OLV CLV OLV/PM AOLV/PM CLV/PM Sets the magnetic flux compensation as a percentage of the no-load current value (E2-03). | Default: 0% Min: 0% Max: 1000% | 145 |
| b2-12 (1BAH) | Short Circuit Brake Time at Start | V/f V/f w/PG OLV CLV OLV/PM AOLV/PM CLV/PM Sets the time for Short Circuit Braking operation at start. <7> | Default: 0.00 s Min: 0.00 s Max: 25.50 s | 146 |
| b2-13 (1BBH) | Short Circuit Brake Time at Stop | V/f V/f w/PG OLV CLV OLV/PM AOLV/PM CLV/PM Sets the Short Circuit Braking operation time at stop. <7> | Default: 0.50 s Min: 0.00 s Max: 25.50 s | 146 |
| b2-18 (177H) | Short Circuit Braking Current | V/f V/f w/PG OLV CLV OLV/PM AOLV/PM CLV/PM Determines the current level for Short Circuit Braking. Set as a percentage of the motor rated current. | Default: 100.0% Min: 0.0% Max: 200.0% | 146 |

<7> A coasting motor may require a braking resistor circuit to bring the motor to a stop in the required time.

<10> Default setting is determined by the control mode (A1-02).

■ b3: Speed Search

| No.(Addr.) | Name | Description | Setting | Page |
|-----------------|--|---|--|------|
| b3-01 (191H) | Speed Search Selection at Start | V/f V/f w/PG OLV CLV OLV/PM AOLV/PM CLV/PM 0: Disabled 1: Enabled | Default: <10> Min: 0 Max: 1 | 149 |
| b3-02 (192H) | Speed Search Deactivation Current | V/f V/f w/PG OLV CLV OLV/PM AOLV/PM CLV/PM Sets the current level at which the speed is assumed to be detected and Speed Search is ended. Set as a percentage of the drive rated current. | Default: <10> Min: 0% Max: 200% | 149 |
| b3-03 (193H) | Speed Search Deceleration Time | V/f V/f w/PG OLV CLV OLV/PM AOLV/PM CLV/PM Sets output frequency reduction time during Speed Search. | Default: 2.0 s Min: 0.1 s Max: 10.0 s | 149 |
| b3-04 (194H) | V/f Gain during Speed Search | V/f V/f w/PG OLV CLV OLV/PM AOLV/PM CLV/PM Determines how much to lower the V/f ratio during Speed Search. Output voltage during Speed Search equals the V/f setting multiplied by b3-04. | Default: <9> Min: 10% Max: 100% | 150 |
| b3-05 (195H) | Speed Search Delay Time | All Modes When using an external contactor on the output side, b3-05 delays executing Speed Search after a momentary power loss to allow time for the contactor to close. | Default: 0.2 s Min: 0.0 s Max: 100.0 s | 150 |
| b3-06 (196H) | Output Current I during Speed Search | V/f V/f w/PG OLV CLV OLV/PM AOLV/PM CLV/PM Sets the current injected to the motor at the beginning of Speed Estimation Speed Search. Set as a coefficient for the motor rated current. | Default: <9> Min: 0.0 Max: 2.0 | 150 |
| b3-10 (19AH) | Speed Search Detection Compensation Gain | V/f V/f w/PG OLV CLV OLV/PM AOLV/PM CLV/PM Sets the gain which is applied to the speed detected by Speed Estimation Speed Search before the motor is reaccelerated. Increase this setting if ov occurs when performing Speed Search after a relatively long period of baseblock. | Default: 1.05 Min: 1.00 Max: 1.20 | 150 |

| No.(Addr.) | Name | Description | Setting | Page |
|-----------------|---------------------------------------|--|---|------|
| b3-14 (19EH) | Bi-Directional Speed Search Selection | <p>V/f V/f w/PD OLV CLV</p> <p>OLV/PM AOLV/PM CLV/PM</p> <p>0: Disabled (uses the direction of the frequency reference) 1: Enabled (drive detects which way the motor is rotating)</p> | Default: <10> Min: 0 Max: 1 | 150 |
| b3-17 (1F0H) | Speed Search Restart Current Level | <p>V/f V/f w/PD OLV CLV</p> <p>OLV/PM AOLV/PM CLV/PM</p> <p>Sets the Speed Search restart current level as a percentage of the drive rated current.</p> | Default: 150% Min: 0% Max: 200% | 150 |
| b3-18 (1F1H) | Speed Search Restart Detection Time | <p>V/f V/f w/PD OLV CLV</p> <p>OLV/PM AOLV/PM CLV/PM</p> <p>Sets the time to detect Speed Search restart.</p> | Default: 0.10 s Min: 0.00 s Max: 1.00 s | 151 |
| b3-19 (1F2H) | Number of Speed Search Restarts | <p>V/f V/f w/PD OLV CLV</p> <p>OLV/PM AOLV/PM CLV/PM</p> <p>Sets the number of times the drive can attempt to restart when performing Speed Search.</p> | Default: 3 Min: 0 Max: 10 | 151 |
| b3-24 (1C0H) | Speed Search Method Selection | <p>V/f V/f w/PD OLV CLV</p> <p>OLV/PM AOLV/PM CLV/PM</p> <p>0: Current Detection 1: Speed Estimation</p> | Default: 0 Min: 0 Max: 1 | 151 |
| b3-25 (1C8H) | Speed Search Wait Time | <p>V/f V/f w/PD OLV CLV</p> <p>OLV/PM AOLV/PM CLV/PM</p> <p>Sets the time the must wait between each Speed Search restart attempt.</p> | Default: 0.5 s Min: 0.0 s Max: 30.0 s | 151 |

<9> Default setting value is dependent on the drive model (o2-04) and the Drive Duty (C6-01).

<10> Default setting is determined by the control mode (A1-02).


■ b4: Timer Function

| No.(Addr.) | Name | Description | Setting | Page |
|-----------------|-------------------------------|--|---|------|
| b4-01 (1A3H) | Timer Function On-Delay Time | All Modes | Default: 0.0 s Min: 0.0 s Max: 3000.0 s | 151 |
| b4-02 (1A4H) | Timer Function Off-Delay Time | Used to set the on-delay and off-delay times for a digital timer output (H2-□□=12). The output is triggered by a digital input programmed to H1-□□=18) | Default: 0.0 s Min: 0.0 s Max: 3000.0 s | 151 |

■ b5: PID Control

| No.(Addr.) | Name | Description | Setting | Page |
|-----------------|---------------------------------|---|--|------|
| b5-01 (1A5H) | PID Function Setting | <p>All Modes</p> <p>0: Disabled 1: Enabled (PID output becomes output frequency reference, deviation D controlled) 2: Enabled (PID output becomes output frequency reference, feedback D controlled) 3: Enabled (PID output added to frequency reference, deviation D controlled) 4: Enabled (PID output added to frequency reference, feedback D controlled)</p> | Default: 0 Min: 0 Max: 4 | 155 |
| b5-02 (1A6H) | Proportional Gain Setting (P) | <p>All Modes</p> <p>Runs</p> <p>Sets the proportional gain of the PID controller.</p> | Default: 1.00 Min: 0.00 Max: 25.00 | 155 |
| b5-03 (1A7H) | Integral Time Setting (I) | <p>All Modes</p> <p>Runs</p> <p>Sets the integral time for the PID controller.</p> | Default: 1.0 s Min: 0.0 s Max: 360.0 s | 155 |
| b5-04 (1A8H) | Integral Limit Setting | <p>All Modes</p> <p>Runs</p> <p>Sets the maximum output possible from the integrator as a percentage of the maximum output frequency.</p> | Default: 100.0% Min: 0.0% Max: 100.0% | 155 |
| b5-05 (1A9H) | Derivative Time (D) | <p>All Modes</p> <p>Runs</p> <p>Sets D control derivative time.</p> | Default: 0.00 s Min: 0.00 s Max: 10.00 s | 155 |
| b5-06 (1AAH) | PID Output Limit | <p>All Modes</p> <p>Runs</p> <p>Sets the maximum output possible from the entire PID controller as a percentage of the maximum output frequency.</p> | Default: 100.0% Min: 0.0% Max: 100.0% | 155 |
| b5-07 (1ABH) | PID Offset Adjustment | <p>All Modes</p> <p>Runs</p> <p>Applies an offset to the PID controller output. Set as a percentage of the maximum output frequency.</p> | Default: 0.0% Min: -100.0% Max: 100.0% | 156 |
| b5-08 (1ACH) | PID Primary Delay Time Constant | <p>All Modes</p> <p>Runs</p> <p>Sets a low pass filter time constant on the output of the PID controller.</p> | Default: 0.00 s Min: 0.00 s Max: 10.00 s | 156 |

B.3 Parameter Table

| No.(Addr.) | Name | Description | Setting | Page |
|--|--|---|---|------|
| b5-09 (1ADH) | PID Output Level Selection | All Modes 0: Normal output (direct acting) 1: Reverse output (reverse acting) | Default: 0 Min: 0 Max: 1 | 156 |
| b5-10 (1AEH) | PID Output Gain Setting | All Modes Sets the gain applied to the PID output. | Default: 1.00 Min: 0.00 Max: 25.00 | 156 |
| b5-11 (1AFH) | PID Output Reverse Selection | All Modes 0: Negative PID output triggers zero limit. 1: Rotation direction reverses with negative PID output. When using setting 1, make sure reverse operation is permitted by parameter b1-04. | Default: 0 Min: 0 Max: 1 | 156 |
| b5-12 (1B0H) | PID Feedback Loss Detection Selection | All Modes 0: No fault. Digital output only. 1: Fault detection. Alarm output, drive continues operation. 2: Fault detection. Fault output, drive output is shut off. 3: No fault. Digital output only. No fault detection when PID control is disabled. 4: Fault detection. Alarm is triggered and drive continues to run. Fault detection even when PID is disabled. 5: Fault detection. Drive output shuts off. No fault detection when PID control is disabled. | Default: 0 Min: 0 Max: 5 | 157 |
| b5-13 (1B1H) | PID Feedback Loss Detection Level | All Modes Sets the PID feedback loss detection level as a percentage of the maximum output frequency. | Default: 0% Min: 0% Max: 100% | 158 |
| b5-14 (1B2H) | PID Feedback Loss Detection Time | All Modes Sets a delay time for PID feedback loss. | Default: 1.0 s Min: 0.0 s Max: 25.5 s | 158 |
| b5-15 (1B3H) | PID Sleep Function Start Level | All Modes Sets the frequency level that triggers the sleep function. | Default: 0.0 Hz Min: 0.0 Hz Max: 400.0 Hz | 158 |
| b5-16 (1B4H) | PID Sleep Delay Time | All Modes Sets a delay time before the sleep function is triggered. | Default: 0.0 s Min: 0.0 s Max: 25.5 s | 159 |
| b5-17 (1B5H) | PID Accel/Decel Time | All Modes Sets the acceleration and deceleration time to PID setpoint. | Default: 0.0 s Min: 0.0 s Max: 6000.0 s | 159 |
| b5-18 (1DCH) | PID Setpoint Selection | All Modes 0: Disabled 1: Enabled | Default: 0 Min: 0 Max: 1 | 159 |
| b5-19 (1DDH) | PID Setpoint Value | All Modes Sets the PID target value when b5-18 = 1. Set as a percentage of the maximum output frequency. | Default: 0.00% Min: 0.00% Max: 100.00% | 159 |
| b5-20 (1E2H) | PID Setpoint Scaling | All Modes 0: 0.01Hz units 1: 0.01% units (100% = max output frequency) 2: r/min (number of motor poles must entered) 3: User-set (set scaling to b5-38 and b5-39) | Default: 1 Min: 0 Max: 3 | 159 |
| b5-34 (19FH)  | PID Output Lower Limit | All Modes Sets the minimum output possible from the PID controller as a percentage of the maximum output frequency. | Default: 0.00% Min: -100.0% Max: 100.0% | 160 |
| b5-35 (1A0H)  | PID Input Limit | All Modes Limits the PID control input (deviation signal) as a percentage of the maximum output frequency. Acts as a bipolar limit. | Default: 1000.0% Min: 0% Max: 1000.0% | 160 |
| b5-36 (1A1H) | PID Feedback High Detection Level | All Modes Sets the PID feedback high detection level as a percentage of the maximum output frequency. | Default: 100% Min: 0% Max: 100% | 158 |
| b5-37 (1A2H) | PID Feedback High Detection Time | All Modes Sets the PID feedback high level detection delay time. | Default: 1.0 s Min: 0.0 s Max: 25.5 s | 158 |
| b5-38 (1FEH) | PID Setpoint User Display | All Modes Sets the display value of U5-01 and U5-04 when the maximum frequency is output. | Default: <5> Min: 1 Max: 60000 | 160 |
| b5-39 (1FFH) | PID Setpoint Display Digits | All Modes 0: No decimal places 1: One decimal places 2: Two decimal places 3: Three decimal places | Default: <5> Min: 0 Max: 3 | 160 |
| b5-40 (17FH) | Frequency Reference Monitor Content during PID | All Modes 0: Display the frequency reference (U1-01) after PID compensation has been added. 1: Display the frequency reference (U1-01) before PID compensation has been added. | Default: 0 Min: 0 Max: 1 | 160 |

<5> Default setting is dependent on PID setpoint scaling (b5-20).

■ b6: Dwell Function

| No.(Addr.) | Name | Description | Setting | Page |
|-----------------|--------------------------|--|---|------|
| b6-01 (1B6H) | Dwell Reference at Start | <div style="background-color: #cccccc; padding: 2px; display: inline-block; margin-bottom: 5px;">All Modes</div> Parameters b6-01 and b6-02 set the frequency to hold and the time to maintain that frequency at start. Parameters b6-03 and b6-04 set the frequency to hold and the time to maintain that frequency at stop. | Default: 0.0 Hz Min: 0.0 Hz Max: 400.0 Hz | 161 |
| b6-02 (1B7H) | Dwell Time at Start | | Default: 0.0 s Min: 0.0 s Max: 10.0 s | 161 |
| b6-03 (1B8H) | Dwell Reference at Stop | | Default: 0.0 Hz Min: 0.0 Hz Max: 400.0 Hz | 161 |
| b6-04 (1B9H) | Dwell Time at Stop | | Default: 0.0 s Min: 0.0 s Max: 10.0 s | 161 |

■ b7: Droop Control

| No.(Addr.) | Name | Description | Setting | Page |
|---------------------|---------------------------|---|---|------|
| b7-01 (1CAH) | Droop Control Gain | <div style="display: flex; justify-content: space-between; margin-bottom: 5px;"> V/f V/f w/PG OLV CLV </div> <div style="display: flex; justify-content: space-between;"> OLV/PM AOLV/PM CLV/PM </div> Sets the speed reduction gain applied at a torque reference of 100%. Set as a percentage of motor base speed. | Default: 0.0% Min: 0.0% Max: 100.0% | 162 |
| b7-02 (1CBH) | Droop Control Delay Time. | <div style="display: flex; justify-content: space-between; margin-bottom: 5px;"> V/f V/f w/PG OLV CLV </div> <div style="display: flex; justify-content: space-between;"> OLV/PM AOLV/PM CLV/PM </div> Used to adjust the responsiveness of Droop Control. | Default: 0.05 s Min: 0.03 s Max: 2.00 s | 162 |

■ b8: Energy Saving

| No.(Addr.) | Name | Description | Setting | Page |
|---------------------|--|--|--|------|
| b8-01 (1CCH) | Energy Saving Control Selection | <div style="display: flex; justify-content: space-between; margin-bottom: 5px;"> V/f V/f w/PG OLV CLV </div> <div style="display: flex; justify-content: space-between;"> OLV/PM AOLV/PM CLV/PM </div> 0: Disabled 1: Enabled | Default: <10> Min: 0 Max: 1 | 163 |
| b8-02 (1CDH) | Energy Saving Gain | <div style="display: flex; justify-content: space-between; margin-bottom: 5px;"> V/f V/f w/PG OLV CLV </div> <div style="display: flex; justify-content: space-between;"> OLV/PM AOLV/PM CLV/PM </div> Sets the gain used for Energy Saving. | Default: <10> Min: 0.0 Max: 10.0 | 163 |
| b8-03 (1CEH) | Energy Saving Control Filter Time Constant | <div style="display: flex; justify-content: space-between; margin-bottom: 5px;"> V/f V/f w/PG OLV CLV </div> <div style="display: flex; justify-content: space-between;"> OLV/PM AOLV/PM CLV/PM </div> Sets a time constant for Energy Saving. | Default: <4> Min: 0.00 s Max: 10.00 s | 163 |
| b8-04 (1CFH) | Energy Saving Coefficient Value | <div style="display: flex; justify-content: space-between; margin-bottom: 5px;"> V/f V/f w/PG OLV CLV </div> <div style="display: flex; justify-content: space-between;"> OLV/PM AOLV/PM CLV/PM </div> Determines the level of maximum motor efficiency. Setting range is 0.0 to 2000.0 maximum output up to 3.7 kW. The display resolution depends on the rated output power of the drive after the Drive Duty has been set in parameter C6-01. Refer to Model Number and Nameplate Check on page 29 . | Default: <8> <9> Min: 0.00 Max: 655.00 | 163 |
| b8-05 (1D0H) | Power Detection Filter Time | <div style="display: flex; justify-content: space-between; margin-bottom: 5px;"> V/f V/f w/PG OLV CLV </div> <div style="display: flex; justify-content: space-between;"> OLV/PM AOLV/PM CLV/PM </div> Sets a time constant filter for output power detection. | Default: 20 ms Min: 0 ms Max: 2000 ms | 163 |
| b8-06 (1D1H) | Search Operation Voltage Limit | <div style="display: flex; justify-content: space-between; margin-bottom: 5px;"> V/f V/f w/PG OLV CLV </div> <div style="display: flex; justify-content: space-between;"> OLV/PM AOLV/PM CLV/PM </div> Sets the limit for the voltage search operation as a percentage of the motor rated voltage. | Default: 0% Min: 0% Max: 100% | 164 |

<4> Default setting is dependent on the control mode (A1-02), the drive model (o2-04), and the Drive Duty (C6-01).

<8> Parameter value changes automatically if E2-11 is manually changed or changed by Auto-Tuning.

<9> Default setting value is dependent on the drive model (o2-04) and the Drive Duty (C6-01).

<10> Default setting is determined by the control mode (A1-02).

■ b9: Zero Servo

| No.(Addr.) | Name | Description | Setting | Page |
|-----------------|-----------------|--|----------------------------------|------|
| b9-01 (1DAH) | Zero Servo Gain | <div style="display: flex; justify-content: space-between; margin-bottom: 5px;"> V/f V/f w/PG OLV CLV </div> <div style="display: flex; justify-content: space-between;"> OLV/PM AOLV/PM CLV/PM </div> Sets the position loop gain for the Zero Servo function. | Default: 5 Min: 0 Max: 100 | 164 |

B.3 Parameter Table

| No.(Addr.) | Name | Description | Setting | Page |
|-----------------|-----------------------------|--|-------------------------------------|------|
| b9-02 (1DBH) | Zero Servo Completion Width | <div style="display: flex; justify-content: space-around; align-items: center;"> V/f V/f w/PG OLV CLV </div> <div style="display: flex; justify-content: space-around; align-items: center;"> OLV/PM AOLV/PM CLV/PM </div> <p>Sets the range to trigger an output terminal set for "Zero Servo Complete" during Zero Servo operation.</p> | Default: 10 Min: 0 Max: 16383 | 164 |

◆ C: Tuning

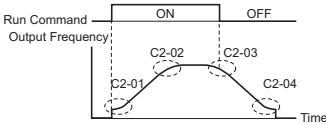
C parameters are used to adjust the acceleration and deceleration times, S-curves, slip compensation, torque compensation, and carrier frequency selections.

■ C1: Acceleration and Deceleration Times

| No.(Addr.) | Name | Description | Setting | Page |
|------------------------|--|--|---|--------------------------------|
| C1-01 (200H) RUN | Acceleration Time 1 | All Modes Sets the time to accelerate from 0 to maximum frequency. | Default: 10.0 s Min: 0.0 s Max: 6000.0 s <12> | 165 |
| C1-02 (201H) RUN | Deceleration Time 1 | All Modes Sets the time to decelerate from maximum frequency to 0. | | 165 |
| C1-03 (202H) RUN | Acceleration Time 2 | All Modes Sets the time to accelerate from 0 to maximum frequency. | | 165 |
| C1-04 (203H) RUN | Deceleration Time 2 | All Modes Sets the time to decelerate from maximum frequency to 0. | | 165 |
| C1-05 (204H) RUN | Acceleration Time 3 (Motor 2 Accel Time 1) | All Modes Sets the time to accelerate from 0 to maximum frequency. | | 165 |
| C1-06 (205H) RUN | Deceleration Time 3 (Motor 2 Decel Time 1) | All Modes Sets the time to decelerate from maximum frequency to 0. | | 165 |
| C1-07 (206H) RUN | Acceleration Time 4 (Motor 2 Accel Time 2) | All Modes Sets the time to accelerate from 0 to maximum frequency. | | 165 |
| C1-08 (207H) RUN | Deceleration Time 4 (Motor 2 Decel Time 2) | All Modes Sets the time to decelerate from maximum frequency to 0. | | 165 |
| C1-09 (208H) | Fast Stop Time | All Modes Sets the time for the Fast Stop function. | | 166 |
| C1-10 (209H) | Accel/Decel Time Setting Units | All Modes 0: 0.01 s (0.00 to 600.00 s) 1: 0.1 s (0.0 to 6000.0 s) | | Default: 1 Min: 0 Max: 1 |
| C1-11 (20AH) | Accel/Decel Time Switching Frequency | All Modes Sets the frequency to switch between accel/decel time settings | Default: 0.0 Hz Min: 0.0 Hz Max: 400.0 Hz | 166 |

<12> Setting range value is dependent on parameter C1-10, Accel/Decel Time Setting Units. When C1-10 = 0 (units of 0.01 seconds), the setting range becomes 0.00 to 600.00 seconds.

■ C2: S-Curve Characteristics

| No.(Addr.) | Name | Description | Setting | Page |
|-----------------|---------------------------------------|---|---|------|
| C2-01 (20BH) | S-Curve Characteristic at Accel Start | All Modes The S-curve can be controlled at the four points shown below.  | Default: 0.20 s <10> Min: 0.00 s Max: 10.00 s | 167 |
| C2-02 (20CH) | S-Curve Characteristic at Accel End | | Default: 0.20 s Min: 0.00 s Max: 10.00 s | 167 |
| C2-03 (20DH) | S-Curve Characteristic at Decel Start | | Default: 0.20 s Min: 0.00 s Max: 10.00 s | 167 |
| C2-04 (20EH) | S-Curve Characteristic at Decel End | | Default: 0.00 s Min: 0.00 s Max: 10.00 s | 167 |

<10> Default setting is determined by the control mode (A1-02).

■ C3: Slip Compensation

| No.(Addr.) | Name | Description | Setting | Page |
|---------------------|---|--|---|------|
| C3-01 (20FH) | Slip Compensation Gain | <div style="display: flex; justify-content: space-between;"> V/f V/f w/PG OLV CLV </div> <div style="display: flex; justify-content: space-between;"> OLV/PM AOLV/PM CLV/PM </div> <p>Sets the gain for the motor slip compensation function used for motor 1.</p> | Default: <10> Min: 0.0 Max: 2.5 | 167 |
| C3-02 (210H) | Slip Compensation Primary Delay Time | <div style="display: flex; justify-content: space-between;"> V/f V/f w/PG OLV CLV </div> <div style="display: flex; justify-content: space-between;"> OLV/PM AOLV/PM CLV/PM </div> <p>Adjusts the slip compensation function delay time used for motor 1.</p> | Default: <10> Min: 0 ms Max: 10000 ms | 168 |
| C3-03 (211H) | Slip Compensation Limit | <div style="display: flex; justify-content: space-between;"> V/f V/f w/PG OLV CLV </div> <div style="display: flex; justify-content: space-between;"> OLV/PM AOLV/PM CLV/PM </div> <p>Sets an upper limit for the slip compensation function as a percentage of motor rated slip for motor 1 (E2-02).</p> | Default: 200% Min: 0% Max: 250% | 168 |
| C3-04 (212H) | Slip Compensation Selection during Regeneration | <div style="display: flex; justify-content: space-between;"> V/f V/f w/PG OLV CLV </div> <div style="display: flex; justify-content: space-between;"> OLV/PM AOLV/PM CLV/PM </div> <p>0: Disabled. 1: Enabled above 6 Hz. 2: Enabled whenever slip compensation is possible.</p> | Default: 0 Min: 0 Max: 2 | 168 |
| C3-05 (213H) | Output Voltage Limit Operation Selection | <div style="display: flex; justify-content: space-between;"> V/f V/f w/PG OLV CLV </div> <div style="display: flex; justify-content: space-between;"> OLV/PM AOLV/PM CLV/PM </div> <p>0: Disabled. 1: Enabled. Automatically decreases motor flux when output voltage saturation is reached.</p> | Default: 0 Min: 0 Max: 1 | 169 |
| C3-21 (33EH) | Motor 2 Slip Compensation Gain | <div style="display: flex; justify-content: space-between;"> V/f V/f w/PG OLV CLV </div> <div style="display: flex; justify-content: space-between;"> OLV/PM AOLV/PM CLV/PM </div> <p>Sets the slip compensation gain used for motor 2.</p> | Default: <15> Min: 0.0 Max: 2.5 | 169 |
| C3-22 (241H) | Motor 2 Slip Compensation Primary Delay Time | <div style="display: flex; justify-content: space-between;"> V/f V/f w/PG OLV CLV </div> <div style="display: flex; justify-content: space-between;"> OLV/PM AOLV/PM CLV/PM </div> <p>Sets the slip compensation delay time used for motor 2.</p> | Default: <15> Min: 0 ms Max: 10000 ms | 169 |
| C3-23 (242H) | Motor 2 Slip Compensation Limit | <div style="display: flex; justify-content: space-between;"> V/f V/f w/PG OLV CLV </div> <div style="display: flex; justify-content: space-between;"> OLV/PM AOLV/PM CLV/PM </div> <p>Sets the upper limit for the slip compensation function for motor 2. Set as a percentage of the motor rated slip (E4-02).</p> | Default: 200% Min: 0% Max: 250% | 169 |
| C3-24 (243H) | Motor 2 Slip Compensation Selection During Regeneration | <div style="display: flex; justify-content: space-between;"> V/f V/f w/PG OLV CLV </div> <div style="display: flex; justify-content: space-between;"> OLV/PM AOLV/PM CLV/PM </div> <p>0: Disabled. 1: Enabled above 6 Hz. 2: Enabled whenever slip compensation is possible.</p> | Default: 0 Min: 0 Max: 2 | 170 |

<10> Default setting is determined by the control mode (A1-02).

<15> Default setting is determined by the control mode for motor 2 (E3-01).

■ C4: Torque Compensation

| No.(Addr.) | Name | Description | Setting | Page |
|---------------------|--|---|---|------|
| C4-01 (215H) | Torque Compensation Gain | <div style="display: flex; justify-content: space-between;"> V/f V/f w/PG OLV CLV </div> <div style="display: flex; justify-content: space-between;"> OLV/PM AOLV/PM CLV/PM </div> <p>Sets the gain for the automatic torque (voltage) boost function and helps to produce better starting torque. Used for motor 1.</p> | Default: <10> Min: 0.00 Max: 2.50 | 170 |
| C4-02 (216H) | Torque Compensation Primary Delay Time 1 | <div style="display: flex; justify-content: space-between;"> V/f V/f w/PG OLV CLV </div> <div style="display: flex; justify-content: space-between;"> OLV/PM AOLV/PM CLV/PM </div> <p>Sets the torque compensation filter time.</p> | Default: <16> Min: 0 ms Max: 60000 ms | 170 |
| C4-03 (217H) | Torque Compensation at Forward Start | <div style="display: flex; justify-content: space-between;"> V/f V/f w/PG OLV CLV </div> <div style="display: flex; justify-content: space-between;"> OLV/PM AOLV/PM CLV/PM </div> <p>Sets torque compensation at forward start as a percentage of motor torque.</p> | Default: 0.0% Min: 0.0% Max: 200.0% | 171 |
| C4-04 (218H) | Torque Compensation at Reverse Start | <div style="display: flex; justify-content: space-between;"> V/f V/f w/PG OLV CLV </div> <div style="display: flex; justify-content: space-between;"> OLV/PM AOLV/PM CLV/PM </div> <p>Sets torque compensation at reverse start as a percentage of motor torque.</p> | Default: 0.0% Min: -200.0% Max: 0.0% | 171 |
| C4-05 (219H) | Torque Compensation Time Constant | <div style="display: flex; justify-content: space-between;"> V/f V/f w/PG OLV CLV </div> <div style="display: flex; justify-content: space-between;"> OLV/PM AOLV/PM CLV/PM </div> <p>Sets the time constant for torque compensation at forward start and reverse start (C4-03 and C4-04).</p> | Default: 10 ms Min: 0 ms Max: 200 ms | 171 |

B.3 Parameter Table

| No.(Addr.) | Name | Description | Setting | Page |
|---------------------|--|---|---|------|
| C4-06 (21AH) | Torque Compensation Primary Delay Time 2 | <input type="radio"/> V/f <input type="radio"/> V/f w/PG <input checked="" type="radio"/> OLV <input type="radio"/> CLV <input type="radio"/> OLV/PM <input type="radio"/> AOLV/PM <input type="radio"/> CLV/PM Sets the torque compensation time 2. | Default: 150 ms Min: 0 ms Max: 10000 ms | 171 |
| C4-07 (341H) | Motor 2 Torque Compensation Gain | <input checked="" type="radio"/> V/f <input checked="" type="radio"/> V/f w/PG <input checked="" type="radio"/> OLV <input type="radio"/> CLV <input type="radio"/> OLV/PM <input type="radio"/> AOLV/PM <input type="radio"/> CLV/PM Sets the torque compensation gain used for motor 2. | Default: 1.00 Min: 0.00 Max: 2.50 | 171 |

<10> Default setting is determined by the control mode (A1-02).

<16> Default setting is determined by the control mode (A1-02) and the drive model (o2-04).

■ C5: Automatic Speed Regulator (ASR)

| No.(Addr.) | Name | Description | Setting | Page |
|---------------------|---------------------------------------|---|---|------|
| C5-01 (21BH) | ASR Proportional Gain 1 | <input type="radio"/> V/f <input checked="" type="radio"/> V/f w/PG <input type="radio"/> OLV <input checked="" type="radio"/> CLV <input type="radio"/> OLV/PM <input checked="" type="radio"/> AOLV/PM <input type="radio"/> CLV/PM Sets the proportional gain of the speed control loop (ASR). | Default: <10> Min: 0.00 Max: 300.00 <17> | 173 |
| C5-02 (21CH) | ASR Integral Time 1 | <input type="radio"/> V/f <input checked="" type="radio"/> V/f w/PG <input type="radio"/> OLV <input checked="" type="radio"/> CLV <input type="radio"/> OLV/PM <input checked="" type="radio"/> AOLV/PM <input type="radio"/> CLV/PM Sets the integral time of the speed control loop (ASR). | Default: <10> Min: 0.000 s Max: 10.000 s | 173 |
| C5-03 (21DH) | ASR Proportional Gain 2 | <input type="radio"/> V/f <input checked="" type="radio"/> V/f w/PG <input type="radio"/> OLV <input checked="" type="radio"/> CLV <input type="radio"/> OLV/PM <input checked="" type="radio"/> AOLV/PM <input type="radio"/> CLV/PM Sets the speed control gain 2 of the speed control loop (ASR). | Default: <10> Min: 0.00 Max: 300.00 <17> | 173 |
| C5-04 (21EH) | ASR Integral Time 2 | <input type="radio"/> V/f <input checked="" type="radio"/> V/f w/PG <input type="radio"/> OLV <input checked="" type="radio"/> CLV <input type="radio"/> OLV/PM <input checked="" type="radio"/> AOLV/PM <input type="radio"/> CLV/PM Sets the integral time 2 of the speed control loop (ASR). | Default: <10> Min: 0.000 s Max: 10.000 s | 173 |
| C5-05 (21FH) | ASR Limit | <input type="radio"/> V/f <input checked="" type="radio"/> V/f w/PG <input type="radio"/> OLV <input type="radio"/> CLV <input type="radio"/> OLV/PM <input type="radio"/> AOLV/PM <input type="radio"/> CLV/PM Sets the upper limit for the speed control loop (ASR) as a percentage of the maximum output frequency (E1-04). | Default: 5.0% Min: 0.0% Max: 20.0% | 174 |
| C5-06 (220H) | ASR Primary Delay Time Constant | <input type="radio"/> V/f <input type="radio"/> V/f w/PG <input type="radio"/> OLV <input checked="" type="radio"/> CLV <input type="radio"/> OLV/PM <input checked="" type="radio"/> AOLV/PM <input type="radio"/> CLV/PM Sets the filter time constant for the time from the speed loop to the torque command output. | Default: <10> Min: 0.000 s Max: 0.500 s | 174 |
| C5-07 (221H) | ASR Gain Switching Frequency | <input type="radio"/> V/f <input type="radio"/> V/f w/PG <input type="radio"/> OLV <input checked="" type="radio"/> CLV <input type="radio"/> OLV/PM <input checked="" type="radio"/> AOLV/PM <input type="radio"/> CLV/PM Sets the frequency for switching between proportional gain 1, 2 and integral time 1, 2. | Default: 0.0 Hz Min: 0.0 Hz Max: 400.0 Hz | 175 |
| C5-08 (222H) | ASR Integral Limit | <input type="radio"/> V/f <input type="radio"/> V/f w/PG <input type="radio"/> OLV <input checked="" type="radio"/> CLV <input type="radio"/> OLV/PM <input checked="" type="radio"/> AOLV/PM <input type="radio"/> CLV/PM Sets the ASR integral upper limit as a percentage of rated load torque. | Default: 400% Min: 0% Max: 400% | 175 |
| C5-12 (386H) | Integral Operation during Accel/Decel | <input type="radio"/> V/f <input checked="" type="radio"/> V/f w/PG <input type="radio"/> OLV <input type="radio"/> CLV <input type="radio"/> OLV/PM <input type="radio"/> AOLV/PM <input type="radio"/> CLV/PM 0: Disabled. Integral functions are enabled only during constant speed. 1: Enabled. Integral functions are always enabled, during accel/decel and during constant speed. | Default: 0 Min: 0 Max: 1 | 175 |
| C5-17 (276H) | Motor Inertia | <input type="radio"/> V/f <input type="radio"/> V/f w/PG <input type="radio"/> OLV <input checked="" type="radio"/> CLV <input type="radio"/> OLV/PM <input checked="" type="radio"/> AOLV/PM <input type="radio"/> CLV/PM Sets the motor inertia. This value is automatically set during ASR or Inertia Auto-Tuning. | Default: <9> <14> Min: 0.0001 kgm ² Max: 600.00 kgm ² | 175 |
| C5-18 (277H) | Load Inertia Ratio | <input type="radio"/> V/f <input type="radio"/> V/f w/PG <input type="radio"/> OLV <input checked="" type="radio"/> CLV <input type="radio"/> OLV/PM <input type="radio"/> AOLV/PM <input type="radio"/> CLV/PM Sets the ratio between the motor and load inertia. This value is automatically set during ASR or Inertia Auto-Tuning. | Default: 1.0 Min: 0.0 Max: 6000.0 | 175 |
| C5-21 (356H) | Motor 2 ASR Proportional Gain 1 | <input type="radio"/> V/f <input checked="" type="radio"/> V/f w/PG <input type="radio"/> OLV <input checked="" type="radio"/> CLV <input type="radio"/> OLV/PM <input type="radio"/> AOLV/PM <input type="radio"/> CLV/PM Sets the proportional gain of the speed control loop (ASR) for motor 2. | Default: <15> Min: 0.00 Max: 300.00 <17> | 175 |
| C5-22 (357H) | Motor 2 ASR Integral Time 1 | <input type="radio"/> V/f <input checked="" type="radio"/> V/f w/PG <input type="radio"/> OLV <input checked="" type="radio"/> CLV <input type="radio"/> OLV/PM <input type="radio"/> AOLV/PM <input type="radio"/> CLV/PM Sets the integral time of the speed control loop (ASR) for motor 2. | Default: <15> Min: 0.000 s Max: 10.000 s | 175 |
| C5-23 (358H) | Motor 2 ASR Proportional Gain 2 | <input type="radio"/> V/f <input checked="" type="radio"/> V/f w/PG <input type="radio"/> OLV <input checked="" type="radio"/> CLV <input type="radio"/> OLV/PM <input type="radio"/> AOLV/PM <input type="radio"/> CLV/PM Sets the speed control gain 2 of the speed control loop (ASR) for motor 2. | Default: <15> Min: 0.00 Max: 300.00 <17> | 175 |

| No.(Addr.) | Name | Description | Setting | Page |
|---------------------|---|---|--|------|
| C5-24 (359H) | Motor 2 ASR Integral Time 2 | <div style="display: flex; justify-content: space-between; align-items: center;"> V/f V/f w/PG OLV CLV </div> <div style="display: flex; justify-content: space-between; align-items: center;"> OLV/PM AOLV/PM CLV/PM </div> <p>Sets the integral time 2 of the speed control loop (ASR) for motor 2.</p> | Default: <15> Min: 0.000 s Max: 10.000 s | 175 |
| C5-25 (35AH) | Motor 2 ASR Limit | <div style="display: flex; justify-content: space-between; align-items: center;"> V/f V/f w/PG OLV CLV </div> <div style="display: flex; justify-content: space-between; align-items: center;"> OLV/PM AOLV/PM CLV/PM </div> <p>Sets the upper limit for the speed control loop (ASR) for motor 2 as a percentage of the maximum output frequency (E3-04).</p> | Default: 5.0% Min: 0.0% Max: 20.0% | 176 |
| C5-26 (35BH) | Motor 2 ASR Primary Delay Time Constant | <div style="display: flex; justify-content: space-between; align-items: center;"> V/f V/f w/PG OLV CLV </div> <div style="display: flex; justify-content: space-between; align-items: center;"> OLV/PM AOLV/PM CLV/PM </div> <p>Sets the filter time constant for the time from the speed loop to the torque command output used for motor 2.</p> | Default: <15> Min: 0.000 s Max: 0.500 s | 176 |
| C5-27 (35CH) | Motor 2 ASR Gain Switching Frequency | <div style="display: flex; justify-content: space-between; align-items: center;"> V/f V/f w/PG OLV CLV </div> <div style="display: flex; justify-content: space-between; align-items: center;"> OLV/PM AOLV/PM CLV/PM </div> <p>Sets the frequency for motor 2 used to switch between proportional gain 1 and 2, and between the integral time 1 and 2.</p> | Default: 0.0 Hz Min: 0.0 Hz Max: 400.0 Hz | 176 |
| C5-28 (35DH) | Motor 2 ASR Integral Limit | <div style="display: flex; justify-content: space-between; align-items: center;"> V/f V/f w/PG OLV CLV </div> <div style="display: flex; justify-content: space-between; align-items: center;"> OLV/PM AOLV/PM CLV/PM </div> <p>Sets the ASR integral upper limit for motor 2 as a percentage of rated load torque.</p> | Default: 400% Min: 0% Max: 400% | 176 |
| C5-32 (361H) | Integral Operation during Accel/Decel for Motor 2 | <div style="display: flex; justify-content: space-between; align-items: center;"> V/f V/f w/PG OLV CLV </div> <div style="display: flex; justify-content: space-between; align-items: center;"> OLV/PM AOLV/PM CLV/PM </div> <p>0: Disabled. Integral functions for motor 2 are enabled only during constant speed. 1: Enabled. Integral functions are always enabled for motor 2, during accel/decel and during constant speed.</p> | Default: 0 Min: 0 Max: 1 | 176 |
| C5-37 (278H) | Motor 2 Inertia | <div style="display: flex; justify-content: space-between; align-items: center;"> V/f V/f w/PG OLV CLV </div> <div style="display: flex; justify-content: space-between; align-items: center;"> OLV/PM AOLV/PM CLV/PM </div> <p>Sets the inertia of motor 2 alone without the load. This value is automatically set during ASR or Inertia Auto-Tuning.</p> | Default: <9> Min: 0.0001 kgm ² Max: 600.00 kgm ² | 177 |
| C5-38 (279H) | Motor 2 Load Inertia Ratio | <div style="display: flex; justify-content: space-between; align-items: center;"> V/f V/f w/PG OLV CLV </div> <div style="display: flex; justify-content: space-between; align-items: center;"> OLV/PM AOLV/PM CLV/PM </div> <p>Sets the ratio between the motor 2 and machine inertia. This value is automatically set during ASR or Inertia Auto-Tuning.</p> | Default: 1.0 Min: 0.0 Max: 6000.0 | 177 |

<9> Default setting is dependent on the control mode (A1-02), the drive model (o2-04), and the Drive Duty (C6-01).

<10> Default setting is determined by the control mode (A1-02).

<14> Default setting value is dependent on the motor code set to E5-01.

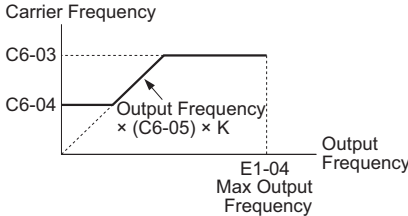
<15> Default setting is determined by the control mode for motor 2 (E3-01).

<17> The setting range is 1.00 to 300.0 in CLV and AOLV/PM.

■ C6: Carrier Frequency

| No.(Addr.) | Name | Description | Setting | Page |
|-----------------|-----------------------------|---|----------------------------------|------|
| C6-01 (223H) | Drive Duty Selection | <div style="display: flex; justify-content: space-between; align-items: center;"> All Modes </div> <p>0: Heavy Duty (HD) for constant torque applications. 1: Normal Duty (ND) for variable torque applications.</p> | Default: 0 Min: 0 Max: 1 | 177 |
| C6-02 (224H) | Carrier Frequency Selection | <div style="display: flex; justify-content: space-between; align-items: center;"> All Modes </div> <p>1: 2.0 kHz 2: 5.0 kHz 3: 8.0 kHz 4: 10.0 kHz 5: 12.5 kHz 6: 15.0 kHz 7: Swing PWM1 (Audible sound 1) 8: Swing PWM2 (Audible sound 2) 9: Swing PWM3 (Audible sound 3) A: Swing PWM4 (Audible sound 4) B to E: No setting possible F: User defined (determined by C6-03 through C6-05)</p> | Default: <4> Min: 1 Max: F | 177 |

B.3 Parameter Table

| No.(Addr.) | Name | Description | Setting | Page |
|-----------------|---|--|--|------|
| C6-03 (225H) | Carrier Frequency Upper Limit | <p>All Modes</p> <p>Note: C6-04 and C6-05 are available only in V/f and V/f w/PG control modes. Determines the upper and lower limits for the carrier frequency. In OLV, C6-03 determines the upper limit of the carrier frequency.</p>  | Default: <13> Min: 1.0 kHz Max: 15.0 kHz | 178 |
| C6-04 (226H) | Carrier Frequency Lower Limit | | Default: <13> Min: 1.0 kHz Max: 15.0 kHz | 178 |
| C6-05 (227H) | Carrier Frequency Proportional Gain | | Default: <13> Min: 0 Max: 99 | 178 |
| C6-09 (22BH) | Carrier Frequency during Rotational Auto-Tuning | <p>V/f V/f w/PG OLV CLV</p> <p>OLV/PM AOLV/PM CLV/PM</p> <p>0: Carrier Frequency = 5 kHz 1: Setting value for C6-03</p> | Default: 0 Min: 0 Max: 1 | 179 |















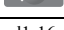
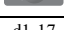

<4> Default setting is dependent on the control mode (A1-02), the drive model (o2-04), and the Drive Duty (C6-01).

<13> Default setting value is dependent on the carrier frequency selection (C6-02).

◆ d: References

Reference parameters are used to set the various frequency reference values during operation.

■ d1: Frequency Reference

| No.(Addr.) | Name | Description | Setting | Page |
|--|-------------------------|--|---|------|
| d1-01 (280H)  | Frequency Reference 1 | | | 180 |
| d1-02 (281H)  | Frequency Reference 2 | | | 180 |
| d1-03 (282H)  | Frequency Reference 3 | | | 180 |
| d1-04 (283H)  | Frequency Reference 4 | | | 180 |
| d1-05 (284H)  | Frequency Reference 5 | | | 180 |
| d1-06 (285H)  | Frequency Reference 6 | | | 180 |
| d1-07 (286H)  | Frequency Reference 7 | | | 180 |
| d1-08 (287H)  | Frequency Reference 8 | | | 180 |
| d1-09 (288H)  | Frequency Reference 9 | All Modes Sets the frequency reference for the drive. Setting units are determined by parameter o1-03. | Default: 0.00 Hz Min: 0.00 Hz Max: 400.00 Hz <20> <26> | 180 |
| d1-10 (28BH)  | Frequency Reference 10 | | | 180 |
| d1-11 (28CH)  | Frequency Reference 11 | | | 180 |
| d1-12 (28DH)  | Frequency Reference 12 | | | 180 |
| d1-13 (28EH)  | Frequency Reference 13 | | | 180 |
| d1-14 (28FH)  | Frequency Reference 14 | | | 180 |
| d1-15 (290H)  | Frequency Reference 15 | | | 180 |
| d1-16 (291H)  | Frequency Reference 16 | | | 180 |
| d1-17 (292H)  | Jog Frequency Reference | All Modes Sets the jog frequency reference. Setting units are determined by parameter o1-03. | Default: 6.00 Hz Min: 0.00 Hz Max: 400.00 Hz <20> <26> | 180 |

<20> Range upper limit is determined by the maximum output frequency (E1-04) and the upper limit of the frequency reference (d2-01).

<26> The setting range is 0.0 to 66.0 in AOLV/PM.

B.3 Parameter Table

■ d2: Frequency Upper/Lower Limits







| No.(Addr.) | Name | Description | Setting | Page |
|-----------------|------------------------------------|---|---|------|
| d2-01 (289H) | Frequency Reference Upper Limit | All Modes Sets the frequency reference upper limit as a percentage of the maximum output frequency. | Default: 100.0% Min: 0.0% Max: 110.0% | 182 |
| d2-02 (28AH) | Frequency Reference Lower Limit | All Modes Sets the frequency reference lower limit as a percentage of the maximum output frequency. | Default: 0.0% Min: 0.0% Max: 110.0% | 182 |
| d2-03 (293H) | Master Speed Reference Lower Limit | All Modes Sets the lower limit for frequency references from analog inputs as a percentage of the maximum output frequency. | Default: 0.0% Min: 0.0 Max: 110.0% | 182 |

■ d3: Jump Frequency

| No.(Addr.) | Name | Description | Setting | Page |
|-----------------|----------------------|---|---|------|
| d3-01 (294H) | Jump Frequency 1 | All Modes Eliminates problems with resonant vibration of the motor/machine by avoiding continuous operation in predefined frequency ranges. The drive accelerates and decelerates the motor through the prohibited frequency ranges. Setting 0.0 disables this function. Parameters must be set so that $d3-01 \geq d3-02 \geq d3-03$. | Default: 0.0 Hz Min: 0.0 Hz Max: 400.0 Hz | 182 |
| d3-02 (295H) | Jump Frequency 2 | | | 182 |
| d3-03 (296H) | Jump Frequency 3 | | | 182 |
| d3-04 (297H) | Jump Frequency Width | All Modes Sets the dead-band width around each selected prohibited frequency reference point. | Default: <10> Min: 0.0 Hz Max: 20.0 Hz | 182 |

<10> Default setting is determined by the control mode (A1-02).

■ d4: Frequency Reference Hold and Up/Down 2 Function

| No.(Addr.) | Name | Description | Setting | Page |
|--|---|--|---|------|
| d4-01 (298H) | Frequency Reference Hold Function Selection | All Modes 0: Disabled. Drive starts from zero when the power is switched on. 1: Enabled. At power up, the drive starts the motor at the Hold frequency that was saved. | Default: 0 Min: 0 Max: 1 | 183 |
| d4-03 (2AAH)  | Frequency Reference Bias Step (Up/Down 2) | All Modes Sets the bias added to the frequency reference when the Up 2 and Down 2 digital inputs are enabled (H1-□□ = 75, 76). | Default: 0.00 Hz Min: 0.00 Hz Max: 99.99 Hz | 185 |
| d4-04 (2ABH)  | Frequency Reference Bias Accel/Decel (Up/Down 2) | All Modes 0: Use selected accel/decel time. 1: Use accel/decel time 4 (C1-07 and C1-08). | Default: 0 Min: 0 Max: 1 | 185 |
| d4-05 (2ACH)  | Frequency Reference Bias Operation Mode Selection (Up/Down 2) | All Modes 0: Bias value is held if no input Up 2 or Down 2 is active. 1: When the Up 2 reference and Down 2 reference are both on or both off, the applied bias becomes 0. The specified accel/decel times are used for acceleration or deceleration. | Default: 0 Min: 0 Max: 1 | 186 |
| d4-06 (2ADH) | Frequency Reference Bias (Up/Down 2) | All Modes The Up/Down 2 bias value is saved in d4-06 when the frequency reference is not input by the digital operator. Set as a percentage of the maximum output frequency. | Default: 0.0% Min: -99.9% Max: 100.0% | 186 |
| d4-07 (2AEH)  | Analog Frequency Reference Fluctuation Limit (Up/Down 2) | All Modes Limits how much the frequency reference is allowed to change while an input terminal set for Up 2 or Down 2 is enabled. If the frequency reference changes for more than the set value, then the bias value is held and the drive accelerates or decelerates to the frequency reference. Set as a percentage of the maximum output frequency. | Default: 1.0% Min: 0.1% Max: 100.0% | 186 |
| d4-08 (2AFH)  | Frequency Reference Bias Upper Limit (Up/Down 2) | All Modes Sets the upper limit for the bias and the value that can be saved in d4-06. Set as a percentage of the maximum output frequency. | Default: 0.0% Min: 0.0% Max: 100.0% | 187 |
| d4-09 (2B0H)  | Frequency Reference Bias Lower Limit (Up/Down 2) | All Modes Sets the lower limit for the bias and the value that can be saved in d4-06. Set as a percentage of the maximum output frequency. | Default: 0.0% Min: -99.9% Max: 0.0% | 187 |
| d4-10 (2B6H) | Up/Down Frequency Reference Limit Selection | All Modes 0: The lower limit is determined by d2-02 or an analog input. 1: The lower limit is determined by d2-02. | Default: 0 Min: 0 Max: 1 | 187 |
| d4-11 (2B6H) | Bi-Directional Output Selection | All Modes Enables or disables the conversion of frequency reference or PID output value into bi-directional internal frequency reference. 0: Disabled - Operation in the selected direction between 0 to 100% frequency reference or PID output 1: Enabled - Operation in reverse direction when frequency reference or PID output <50%, else operation in the selected direction. | Default: 0 Min: 0 Max: 1 | 187 |

| No.(Addr.) | Name | Description | Setting | Page |
|-----------------|--------------------|--|---|------|
| d4-12 (2B6H) | Stop Position Gain | All Modes Sets the gain used by the simple positioning stop function in order to fine adjust the position. | Default: 1.00 Min: 0.50 Max: 2.50 | 188 |

■ d5: Torque Control

| No.(Addr.) | Name | Description | Setting | Page |
|-----------------|--------------------------------------|---|--|------|
| d5-01 (29AH) | Torque Control Selection | <div style="display: flex; justify-content: space-between; align-items: center;"> V/f V/f w/PG OLV CLV </div> <div style="display: flex; justify-content: space-between; align-items: center;"> OLV/PM AOLV/PM CLV/PM </div> <p>0: Speed Control 1: Torque Control Set to 0 when using a digital input to switch between Speed and Torque Control (H1-□□ = 71).</p> | Default: 0 Min: 0 Max: 1 | 191 |
| d5-02 (29BH) | Torque Reference Delay Time | <div style="display: flex; justify-content: space-between; align-items: center;"> V/f V/f w/PG OLV CLV </div> <div style="display: flex; justify-content: space-between; align-items: center;"> OLV/PM AOLV/PM CLV/PM </div> <p>Sets a delay time for the torque reference signal. Used to suppress effects by noisy or fluctuating torque reference signals.</p> | Default: 0 ms Min: 0 ms Max: 1000 ms | 191 |
| d5-03 (29CH) | Speed Limit Selection | <div style="display: flex; justify-content: space-between; align-items: center;"> V/f V/f w/PG OLV CLV </div> <div style="display: flex; justify-content: space-between; align-items: center;"> OLV/PM AOLV/PM CLV/PM </div> <p>1: Limit set by the frequency reference in b1-01. 2: Limit set by d5-04.</p> | Default: 1 Min: 1 Max: 2 | 191 |
| d5-04 (29DH) | Speed Limit | <div style="display: flex; justify-content: space-between; align-items: center;"> V/f V/f w/PG OLV CLV </div> <div style="display: flex; justify-content: space-between; align-items: center;"> OLV/PM AOLV/PM CLV/PM </div> <p>Sets the speed limit during Torque Control as a percentage of the maximum output frequency. Enabled when d5-03 = 2. A negative setting set a limit in the opposite direction of the Run command.</p> | Default: 0% Min: -120% Max: 120% | 191 |
| d5-05 (29EH) | Speed Limit Bias | <div style="display: flex; justify-content: space-between; align-items: center;"> V/f V/f w/PG OLV CLV </div> <div style="display: flex; justify-content: space-between; align-items: center;"> OLV/PM AOLV/PM CLV/PM </div> <p>Sets the speed limit bias as a percentage of the maximum output frequency. The bias is applied to the specified speed limit and can adjust the margin for the speed limit.</p> | Default: 10% Min: 0% Max: 120% | 192 |
| d5-06 (29FH) | Speed/Torque Control Switchover Time | <div style="display: flex; justify-content: space-between; align-items: center;"> V/f V/f w/PG OLV CLV </div> <div style="display: flex; justify-content: space-between; align-items: center;"> OLV/PM AOLV/PM CLV/PM </div> <p>Sets the delay time for switching between Speed and Torque Control using an input terminal (H1-□□ = 71). Reference values are held during this switch delay time.</p> | Default: 0 ms Min: 0 ms Max: 1000 ms | 192 |
| d5-08 (2B5H) | Unidirectional Speed Limit Bias | <div style="display: flex; justify-content: space-between; align-items: center;"> V/f V/f w/PG OLV CLV </div> <div style="display: flex; justify-content: space-between; align-items: center;"> OLV/PM AOLV/PM CLV/PM </div> <p>0: Disabled 1: Enabled</p> | Default: 1 Min: 0 Max: 1 | 192 |

■ d6: Field Weakening and Field Forcing

| No.(Addr.) | Name | Description | Setting | Page |
|-----------------|---------------------------------|--|---|------|
| d6-01 (2A0H) | Field Weakening Level | <div style="display: flex; justify-content: space-between; align-items: center;"> V/f V/f w/PG OLV CLV </div> <div style="display: flex; justify-content: space-between; align-items: center;"> OLV/PM AOLV/PM CLV/PM </div> <p>Sets the drive output voltage for the Field Weakening function as a percentage of the maximum output voltage. Enabled when a multi-function input is set for Field Weakening (H1-□□ = 63).</p> | Default: 80% Min: 0% Max: 100% | 192 |
| d6-02 (2A1H) | Field Weakening Frequency Limit | <div style="display: flex; justify-content: space-between; align-items: center;"> V/f V/f w/PG OLV CLV </div> <div style="display: flex; justify-content: space-between; align-items: center;"> OLV/PM AOLV/PM CLV/PM </div> <p>Sets the lower limit of the frequency range where Field Weakening control is valid. The Field Weakening command is valid only at frequencies above this setting and only when the output frequency matches the frequency reference (speed agree).</p> | Default: 0.0 Hz Min: 0.0 Hz Max: 400.0 Hz | 192 |
| d6-03 (2A2H) | Field Forcing Selection | <div style="display: flex; justify-content: space-between; align-items: center;"> V/f V/f w/PG OLV CLV </div> <div style="display: flex; justify-content: space-between; align-items: center;"> OLV/PM AOLV/PM CLV/PM </div> <p>0: Disabled 1: Enabled</p> | Default: 0 Min: 0 Max: 1 | 192 |
| d6-06 (2A5H) | Field Forcing Limit | <div style="display: flex; justify-content: space-between; align-items: center;"> V/f V/f w/PG OLV CLV </div> <div style="display: flex; justify-content: space-between; align-items: center;"> OLV/PM AOLV/PM CLV/PM </div> <p>Sets the upper limit of the excitation current command during magnetic field forcing. A setting of 100% is equal to motor no-load current. Disabled only during DC Injection Braking.</p> | Default: 400% Min: 100% Max: 400% | 193 |

B.3 Parameter Table

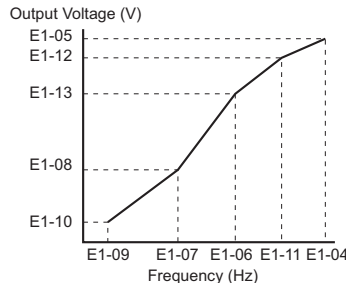
■ d7: Offset Frequency

| No.(Addr.) | Name | Description | Setting | Page |
|---------------------|--------------------|---|--|------|
| d7-01 (2B2H) | Offset Frequency 1 | All Modes Added to the frequency reference when the digital input "Frequency offset 1" (H1-□□ = 44) is switched on. | Default: 0.0% Min: -100.0% Max: 100.0% | 193 |
| d7-02 (2B3H) | Offset Frequency 2 | All Modes Added to the frequency reference when the digital input "Frequency offset 2" (H1-□□ = 45) is switched on. | Default: 0.0% Min: -100.0% Max: 100.0% | 193 |
| d7-03 (2B4H) | Offset Frequency 3 | All Modes Added to the frequency reference when the digital input "Frequency offset 3" (H1-□□ = 46) is switched on. | Default: 0.0% Min: -100.0% Max: 100% | 193 |

◆ E: Motor Parameters

■ E1: V/f Pattern for Motor 1

| No.(Addr.) | Name | Description | Setting | Page |
|-------------------------|-----------------------------------|--|--|------|
| E1-01 (300H) | Input Voltage Setting | All Modes This parameter must be set to the power supply voltage. WARNING! Drive input voltage (not motor voltage) must be set in E1-01 for the protective features of the drive to function properly. Failure to do so may result in equipment damage and/or death or personal injury. | Default: 200 V <18> Min: 155 V Max: 255 V | 194 |
| E1-03 (302H) | V/f Pattern Selection | <div style="display: flex; justify-content: space-around; align-items: center;"> V/f V/f w/PG OLV CLV </div> <div style="display: flex; justify-content: space-around; align-items: center; margin-top: 5px;"> OLV/PM AOLV/PM CLV/PM </div> <p>0: 50 Hz, Constant torque 1 1: 60 Hz, Constant torque 2 2: 60 Hz, Constant torque 3 (50 Hz base) 3: 72 Hz, Constant torque 4 (60 Hz base) 4: 50 Hz, Variable torque 1 5: 50 Hz, Variable torque 2 6: 60 Hz, Variable torque 3 7: 60 Hz, Variable torque 4 8: 50 Hz, High starting torque 1 9: 50 Hz, High starting torque 2 A: 60 Hz, High starting torque 3 B: 60 Hz, High starting torque 4 C: 90 Hz (60 Hz base) D: 120 Hz (60 Hz base) E: 180 Hz (60 Hz base) F: Custom V/f, E1-04 through E1-13 settings define the V/f pattern</p> | Default: F <3> Min: 0 Max: F <30> | 194 |
| E1-04 (303H) | Maximum Output Frequency | | Default: <4> <14> Min: 40.0 Max: 400.0 <29> | 197 |
| E1-05 (304H) | Maximum Voltage | All Modes These parameters are only applicable when E1-03 is set to F. To set linear V/f characteristics, set the same values for E1-07 and E1-09. In this case, the setting for E1-08 will be disregarded. Ensure that the four frequencies are set according to these rules: E1-09 ≤ E1-07 < E1-06 ≤ E1-11 ≤ E1-04 Note that if E1-11 = 0, then both E1-11 and E1-12 are disabled, and the above conditions do not apply. | Default: <4> <14> <18> Min: 0.00 V Max: 255.0 V <18> | 197 |
| E1-06 (305H) | Base Frequency | | Default: <4> <14> Min: 0.0 Max: E1-04 <29> | 197 |
| E1-07 (306H) | Middle Output Frequency | | Default: <4> Min: 0.0 Max: E1-04 | 197 |
| E1-08 (307H) | Middle Output Frequency Voltage | | Default: <4> <18> Min: 0.0 V Max: 255.0 V <18> | 197 |
| E1-09 (308H) | Minimum Output Frequency | | Default: <4> <14> Min: 0.0 Max: E1-04 <26> <29> | 197 |
| E1-10 (309H) | Minimum Output Frequency Voltage | | Default: <4> <18> Min: 0.0 V Max: 255.0 V <18> | 197 |
| E1-11 (30AH) <21> | Middle Output Frequency 2 | | Default: 0.0 Hz Min: 0.0 Max: E1-04 <26> | 197 |
| E1-12 (30BH) <21> | Middle Output Frequency Voltage 2 | | Default: 0.0 V Min: 0.0 V Max: 255.0 V <18> | 197 |
| E1-13 (30CH) | Base Voltage | | Default: 0.0 V <18> <27> Min: 0.0 V Max: 255.0 V <18> | 197 |



- Note:** Some parameters may not be available depending on the control mode.
- E1-07, E1-08 and E1-10 are available only in the following control modes: V/f Control, V/f with PG, Open Loop Vector.
 - E1-11, E1-12 and E1-13 are available only in the following control modes: V/f Control, V/f with PG, Open Loop Vector, Closed Loop Vector.

<3> Parameter setting value is not reset to the default value when the drive is initialized.

<4> Default setting is dependent on the control mode (A1-02), the drive model (o2-04), and the Drive Duty (C6-01).

<14> Default setting value is dependent on the motor code set to E5-01.

- <18> Values shown here are for 200 V class drives. Double the value when using a 400 V class drive.
- <21> Parameter ignored when E1-11 (Motor 1 Mid Output Frequency 2) and E1-12 (Motor 1 Mid Output Frequency Voltage 2) are set to 0.0.
- <26> The setting range is 0.0 to 66.0 in AOLV/PM.
- <27> When Auto-Tuning is performed, E1-13 and E1-05 will be set to the same value.
- <29> The setting range varies according to the motor code entered to E5-01 when using OLV/PM. The setting range is 0.0 to 400.0 Hz when E5-01 is set to FFFFH.
- <30> The setting value is F in OLV.

E2: Motor 1 Parameters

| No.(Addr.) | Name | Description | Setting | Page |
|-----------------|--|---|--|------|
| E2-01 (30EH) | Motor Rated Current | <div style="display: flex; justify-content: space-between; align-items: center;"> V/f V/f w/PG OLV CLV </div> <div style="display: flex; justify-content: space-between; align-items: center; margin-top: 5px;"> OLV/PM AOLV/PM CLV/PM </div> <p>Sets the motor nameplate full load current in Amps. Automatically set during Auto-Tuning.</p> | Default: <9> Min: 10% of drive rated current Max: 200% of drive rated current <19> | 198 |
| E2-02 (30FH) | Motor Rated Slip | <div style="display: flex; justify-content: space-between; align-items: center;"> V/f V/f w/PG OLV CLV </div> <div style="display: flex; justify-content: space-between; align-items: center; margin-top: 5px;"> OLV/PM AOLV/PM CLV/PM </div> <p>Sets the motor rated slip. Automatically set during Auto-Tuning.</p> | Default: <9> Min: 0.00 Hz Max: 20.00 Hz | 198 |
| E2-03 (310H) | Motor No-Load Current | <div style="display: flex; justify-content: space-between; align-items: center;"> V/f V/f w/PG OLV CLV </div> <div style="display: flex; justify-content: space-between; align-items: center; margin-top: 5px;"> OLV/PM AOLV/PM CLV/PM </div> <p>Sets the no-load current for the motor. Automatically set during Auto-Tuning.</p> | Default: <9> Min: 0 A Max: E2-01 <19> | 199 |
| E2-04 (311H) | Number of Motor Poles | <div style="display: flex; justify-content: space-between; align-items: center;"> V/f V/f w/PG OLV CLV </div> <div style="display: flex; justify-content: space-between; align-items: center; margin-top: 5px;"> OLV/PM AOLV/PM CLV/PM </div> <p>Sets the number of motor poles. Automatically set during Auto-Tuning.</p> | Default: 4 Min: 2 Max: 48 | 199 |
| E2-05 (312H) | Motor Line-to-Line Resistance | <div style="display: flex; justify-content: space-between; align-items: center;"> V/f V/f w/PG OLV CLV </div> <div style="display: flex; justify-content: space-between; align-items: center; margin-top: 5px;"> OLV/PM AOLV/PM CLV/PM </div> <p>Sets the phase-to-phase motor resistance. Automatically set during Auto-Tuning.</p> | Default: <9> Min: 0.000 Ω Max: 65.000 Ω | 199 |
| E2-06 (313H) | Motor Leakage Inductance | <div style="display: flex; justify-content: space-between; align-items: center;"> V/f V/f w/PG OLV CLV </div> <div style="display: flex; justify-content: space-between; align-items: center; margin-top: 5px;"> OLV/PM AOLV/PM CLV/PM </div> <p>Sets the voltage drop due to motor leakage inductance as a percentage of motor rated voltage. Automatically set during Auto-Tuning.</p> | Default: <9> Min: 0.0% Max: 40.0% | 199 |
| E2-07 (314H) | Motor Iron-Core Saturation Coefficient 1 | <div style="display: flex; justify-content: space-between; align-items: center;"> V/f V/f w/PG OLV CLV </div> <div style="display: flex; justify-content: space-between; align-items: center; margin-top: 5px;"> OLV/PM AOLV/PM CLV/PM </div> <p>Sets the motor iron saturation coefficient at 50% of magnetic flux. Automatically set during Auto-Tuning.</p> | Default: 0.50 Min: E2-07 Max: 0.50 | 199 |
| E2-08 (315H) | Motor Iron-Core Saturation Coefficient 2 | <div style="display: flex; justify-content: space-between; align-items: center;"> V/f V/f w/PG OLV CLV </div> <div style="display: flex; justify-content: space-between; align-items: center; margin-top: 5px;"> OLV/PM AOLV/PM CLV/PM </div> <p>Sets the motor iron saturation coefficient at 75% of magnetic flux. Automatically set during Auto-Tuning.</p> | Default: 0.75 Min: E2-07 Max: 0.75 | 199 |
| E2-09 (316H) | Motor Mechanical Loss | <div style="display: flex; justify-content: space-between; align-items: center;"> V/f V/f w/PG OLV CLV </div> <div style="display: flex; justify-content: space-between; align-items: center; margin-top: 5px;"> OLV/PM AOLV/PM CLV/PM </div> <p>Sets the motor mechanical loss as a percentage of motor rated power (kW).</p> | Default: 0.0% Min: 0.0% Max: 10.0% | 200 |
| E2-10 (317H) | Motor Iron Loss for Torque Compensation | <div style="display: flex; justify-content: space-between; align-items: center;"> V/f V/f w/PG OLV CLV </div> <div style="display: flex; justify-content: space-between; align-items: center; margin-top: 5px;"> OLV/PM AOLV/PM CLV/PM </div> <p>Sets the motor iron loss.</p> | Default: <9> Min: 0 W Max: 65535 W | 200 |
| E2-11 (318H) | Motor Rated Power | <div style="display: flex; justify-content: space-between; align-items: center;"> V/f V/f w/PG OLV CLV </div> <div style="display: flex; justify-content: space-between; align-items: center; margin-top: 5px;"> OLV/PM AOLV/PM CLV/PM </div> <p>Sets the motor rated power in kilowatts (1 HP = 0.746 kW). Automatically set during Auto-Tuning.</p> | Default: <9> Min: 0.00 kW Max: 650.00 kW | 200 |

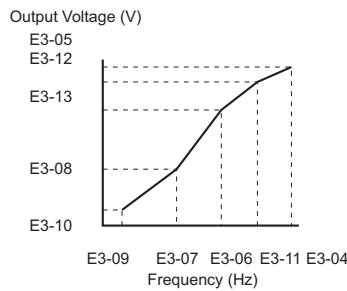
- <9> Default setting value is dependent on the drive model (o2-04) and the Drive Duty (C6-01).
- <19> This value's number of decimal places depends on the drive model and the Heavy/Normal duty selection in parameter C6-01. The value will have two decimal places (0.01 A) if the drive is set for a Maximum Applicable Motor Capacity up to 11 kW (refer to [Table A.2](#) and [Table A.3](#)) and one decimal place (0.1 A) if the set Maximum Applicable Motor Capacity is higher than 11 kW.

B.3 Parameter Table

■ E3: V/f Pattern for Motor 2

These parameters are hidden when a PM motor control mode has been selected for motor 1 (A1-02 = 5, 6, 7).

| No.(Addr.) | Name | Description | Setting | Page |
|-------------------------|--|---|--|------|
| E3-01 (319H) | Motor 2 Control Mode Selection | <div style="display: flex; justify-content: space-around; align-items: center;"> <div style="text-align: center;"> <input type="radio"/> V/f OLV/PM </div> <div style="text-align: center;"> <input type="radio"/> V/f w/PG AOLV/PM </div> <div style="text-align: center;"> <input type="radio"/> OLV CLV/PM </div> <div style="text-align: center;"> <input type="radio"/> CLV </div> </div> <p>0: V/f Control 1: V/f Control with PG 2: Open Loop Vector Control 3: Closed Loop Vector Control</p> | Default: 0 Min: 0 Max: 3 | 201 |
| E3-04 (31AH) | Motor 2 Maximum Output Frequency | | Default: <25> Min: 40.0 Max: 400.0 | 201 |
| E3-05 (31BH) | Motor 2 Maximum Voltage | <div style="display: flex; justify-content: space-around; align-items: center;"> <div style="text-align: center;"> <input type="radio"/> V/f OLV/PM </div> <div style="text-align: center;"> <input type="radio"/> V/f w/PG AOLV/PM </div> <div style="text-align: center;"> <input type="radio"/> OLV CLV/PM </div> <div style="text-align: center;"> <input type="radio"/> CLV </div> </div> | Default: <18> Min: 0.0 V Max: 255.0 V <18> | 201 |
| E3-06 (31CH) | Motor 2 Base Frequency | <p>These parameters are only applicable when E1-03 is set to F.</p> <p>To set linear V/f characteristics, set the same values for E3-07 and E3-09. In this case, the setting for E3-08 will be disregarded. Ensure that the four frequencies are set according to these rules or an oPE10 fault will occur: E3-09 ≤ E3-07 < E3-06 ≤ E3-11 ≤ E3-04</p> | Default: <25> Min: 0.0 Max: E3-04 | 201 |
| E3-07 (31DH) | Motor 2 Mid Output Frequency | | Default: <25> Min: 0.0 Max: E3-04 | 201 |
| E3-08 (31EH) | Motor 2 Mid Output Frequency Voltage | | Default: <18>-<25> Min: 0.0 V Max: 255.0 V <18> | 201 |
| E3-09 (31FH) | Motor 2 Minimum Output Frequency | | Default: <25> Min: 0.0 Max: E3-04 | 201 |
| E3-10 (320H) | Motor 2 Minimum Output Frequency Voltage | | Default: <18>-<25> Min: 0.0 V Max: 255.0 V <18> | 201 |
| E3-11 (345H) | Motor 2 Mid Output Frequency 2 | | Default: 0.0 <24> Min: 0.0 Max: E3-04 <26> | 201 |
| E3-12 (346H) <24> | Motor 2 Mid Output Frequency Voltage 2 | | Default: 0.0 V <18> Min: 0.0 V Max: 255.0 V <18> | 201 |
| E3-13 (347H) | Motor 2 Base Voltage | <p>Note: E3-07 and E3-08 are only available in the following control modes: V/f, V/f w/PG and OLV.</p> | Default: 0.0 V <18>-<27> Min: 0.0 V Max: 255.0 V <18> | 201 |



<18> Values shown here are for 200 V class drives. Double the value when using a 400 V class drive.

<24> Parameter ignored when E3-11 (Motor 2 Mid Output Frequency 2) and E3-12 (Motor 2 Mid Output Frequency Voltage 2) are set to 0.

<25> Default setting depends on the control mode for motor 2 set in parameter E3-01. The value shown here is for V/f Control.

<26> The setting range is 0.0 to 66.0 in AOLV/PM.

<27> When Auto-Tuning is performed, E1-13 and E1-05 will be set to the same value.

■ E4: Motor 2 Parameters

These parameters are hidden when a PM motor control mode has been selected for motor 1 (A1-02 = 5, 6, 7).

| No.(Addr.) | Name | Description | Setting | Page |
|-----------------|---------------------------------|---|--|------|
| E4-01 (321H) | Motor 2 Rated Current | <div style="display: flex; justify-content: space-around; align-items: center;"> <div style="text-align: center;"> <input type="radio"/> V/f OLV/PM </div> <div style="text-align: center;"> <input type="radio"/> V/f w/PG AOLV/PM </div> <div style="text-align: center;"> <input type="radio"/> OLV CLV/PM </div> <div style="text-align: center;"> <input type="radio"/> CLV </div> </div> <p>Sets the full load current for motor 2. Automatically set during Auto-Tuning.</p> | Default: <9> Min: 10% of drive rated current Max: 200% of drive rated current <19> | 202 |
| E4-02 (322H) | Motor 2 Rated Slip | <div style="display: flex; justify-content: space-around; align-items: center;"> <div style="text-align: center;"> <input type="radio"/> V/f OLV/PM </div> <div style="text-align: center;"> <input type="radio"/> V/f w/PG AOLV/PM </div> <div style="text-align: center;"> <input type="radio"/> OLV CLV/PM </div> <div style="text-align: center;"> <input type="radio"/> CLV </div> </div> <p>Sets the rated slip for motor 2. Automatically set during Auto-Tuning.</p> | Default: <9> Min: 0.00 Hz Max: 20.00 Hz <19> | 202 |
| E4-03 (323H) | Motor 2 Rated No-Load Current | <div style="display: flex; justify-content: space-around; align-items: center;"> <div style="text-align: center;"> <input type="radio"/> V/f OLV/PM </div> <div style="text-align: center;"> <input type="radio"/> V/f w/PG AOLV/PM </div> <div style="text-align: center;"> <input type="radio"/> OLV CLV/PM </div> <div style="text-align: center;"> <input type="radio"/> CLV </div> </div> <p>Sets the no-load current for motor 2. Automatically set during Auto-Tuning.</p> | Default: <9> Min: 0 A Max: E4-01 <19> | 202 |
| E4-04 (324H) | Motor 2 Motor Poles | <div style="display: flex; justify-content: space-around; align-items: center;"> <div style="text-align: center;"> <input type="radio"/> V/f OLV/PM </div> <div style="text-align: center;"> <input type="radio"/> V/f w/PG AOLV/PM </div> <div style="text-align: center;"> <input type="radio"/> OLV CLV/PM </div> <div style="text-align: center;"> <input type="radio"/> CLV </div> </div> <p>Sets the number of poles of motor 2. Automatically set during Auto-Tuning.</p> | Default: 4 Min: 2 Max: 48 | 203 |
| E4-05 (325H) | Motor 2 Line-to-Line Resistance | <div style="display: flex; justify-content: space-around; align-items: center;"> <div style="text-align: center;"> <input type="radio"/> V/f OLV/PM </div> <div style="text-align: center;"> <input type="radio"/> V/f w/PG AOLV/PM </div> <div style="text-align: center;"> <input type="radio"/> OLV CLV/PM </div> <div style="text-align: center;"> <input type="radio"/> CLV </div> </div> <p>Sets the phase-to-phase resistance for motor 2. Automatically set during Auto-Tuning.</p> | Default: <9> Min: 0.000 Ω Max: 65.000 Ω | 203 |

| No.(Addr.) | Name | Description | Setting | Page |
|-----------------|--|--|--|------|
| E4-06 (326H) | Motor 2 Leakage Inductance | <p><input type="button" value="V/f"/> <input type="button" value="V/f w/PG"/> <input type="button" value="OLV"/> <input type="button" value="CLV"/></p> <p><input type="button" value="OLV/PM"/> <input type="button" value="AOLV/PM"/> <input type="button" value="CLV/PM"/></p> <p>Sets the voltage drop for motor 2 due to motor leakage inductance as a percentage of rated voltage. Automatically set during Auto-Tuning.</p> | Default: <9> Min: 0.0% Max: 40.0% | 203 |
| E4-07 (343H) | Motor 2 Motor Iron-Core Saturation Coefficient 1 | <p><input type="button" value="V/f"/> <input type="button" value="V/f w/PG"/> <input type="button" value="OLV"/> <input type="button" value="CLV"/></p> <p><input type="button" value="OLV/PM"/> <input type="button" value="AOLV/PM"/> <input type="button" value="CLV/PM"/></p> <p>Set to the motor iron saturation coefficient at 50% of magnetic flux for motor 2. Automatically set during Auto-Tuning.</p> | Default: 0.50 Min: 0.00 Max: 0.50 | 203 |
| E4-08 (344H) | Motor 2 Motor Iron-Core Saturation Coefficient 2 | <p><input type="button" value="V/f"/> <input type="button" value="V/f w/PG"/> <input type="button" value="OLV"/> <input type="button" value="CLV"/></p> <p><input type="button" value="OLV/PM"/> <input type="button" value="AOLV/PM"/> <input type="button" value="CLV/PM"/></p> <p>Set to the motor iron saturation coefficient at 75% of magnetic flux for motor 2. This value is automatically set during Auto-Tuning.</p> | Default: 0.75 Min: E4-07 Max: 0.75 | 203 |
| E4-09 (33FH) | Motor 2 Mechanical Loss | <p><input type="button" value="V/f"/> <input type="button" value="V/f w/PG"/> <input type="button" value="OLV"/> <input type="button" value="CLV"/></p> <p><input type="button" value="OLV/PM"/> <input type="button" value="AOLV/PM"/> <input type="button" value="CLV/PM"/></p> <p>Sets the motor mechanical loss for motor 2 as a percentage of motor rated power (kW).</p> | Default: 0.0% Min: 0.0% Max: 10.0% | 203 |
| E4-10 (340H) | Motor 2 Iron Loss | <p><input type="button" value="V/f"/> <input type="button" value="V/f w/PG"/> <input type="button" value="OLV"/> <input type="button" value="CLV"/></p> <p><input type="button" value="OLV/PM"/> <input type="button" value="AOLV/PM"/> <input type="button" value="CLV/PM"/></p> <p>Sets the motor iron loss.</p> | Default: <9> Min: 0 W Max: 65535 W | 203 |
| E4-11 (327H) | Motor 2 Rated Power | <p><input type="button" value="V/f"/> <input type="button" value="V/f w/PG"/> <input type="button" value="OLV"/> <input type="button" value="CLV"/></p> <p><input type="button" value="OLV/PM"/> <input type="button" value="AOLV/PM"/> <input type="button" value="CLV/PM"/></p> <p>Sets the motor rated capacity in kW. Automatically set during Auto-Tuning.</p> | Default: <9> Min: 0.00 kW Max: 650.00 kW | 204 |

<9> Default setting value is dependent on the drive model (o2-04) and the Drive Duty (C6-01).

<19> This value's number of decimal places depends on the drive model and the Heavy/Normal duty selection in parameter C6-01. The value will have two decimal places (0.01 A) if the drive is set for a Maximum Applicable Motor Capacity up to 11 kW (refer to [Table A.2](#) and [Table A.3](#)) and one decimal place (0.1 A) if the set Maximum Applicable Motor Capacity is higher than 11 kW.

■ E5: PM Motor Settings

| No.(Addr.) | Name | Description | Setting | Page |
|-----------------------|------------------------------------|--|---|------|
| E5-01 (329H) <> | Motor Code Selection | <p><input type="button" value="V/f"/> <input type="button" value="V/f w/PG"/> <input type="button" value="OLV"/> <input type="button" value="CLV"/></p> <p><input type="button" value="OLV/PM"/> <input type="button" value="AOLV/PM"/> <input type="button" value="CLV/PM"/></p> <p>Enter the Yaskawa motor code for the PM motor being used. Various motor parameters are automatically set based on the value of this parameter. Setting that were changed manually will be overwritten by the defaults of the selected motor code. Note: Set to FFFF when using a non-Yaskawa PM motor.</p> | Default: <4> <23> Min: 0000 Max: FFFF <28> | 204 |
| E5-02 (32AH) <> | Motor Rated Power | <p><input type="button" value="V/f"/> <input type="button" value="V/f w/PG"/> <input type="button" value="OLV"/> <input type="button" value="CLV"/></p> <p><input type="button" value="OLV/PM"/> <input type="button" value="AOLV/PM"/> <input type="button" value="CLV/PM"/></p> <p>Sets the rated capacity of the motor.</p> | Default: <14> Min: 0.10 kW Max: 650.00 kW | 204 |
| E5-03 (32BH) <> | Motor Rated Current | <p><input type="button" value="V/f"/> <input type="button" value="V/f w/PG"/> <input type="button" value="OLV"/> <input type="button" value="CLV"/></p> <p><input type="button" value="OLV/PM"/> <input type="button" value="AOLV/PM"/> <input type="button" value="CLV/PM"/></p> <p>Sets the motor rated current.</p> | Default: <14> Min: 10% of drive rated current Max: 200% of drive rated current <19> | 204 |
| E5-04 (32CH) <> | Number of Motor Poles | <p><input type="button" value="V/f"/> <input type="button" value="V/f w/PG"/> <input type="button" value="OLV"/> <input type="button" value="CLV"/></p> <p><input type="button" value="OLV/PM"/> <input type="button" value="AOLV/PM"/> <input type="button" value="CLV/PM"/></p> <p>Sets the number of motor poles.</p> | Default: <14> Min: 2 Max: 48 | 204 |
| E5-05 (32DH) <> | Motor Stator Resistance | <p><input type="button" value="V/f"/> <input type="button" value="V/f w/PG"/> <input type="button" value="OLV"/> <input type="button" value="CLV"/></p> <p><input type="button" value="OLV/PM"/> <input type="button" value="AOLV/PM"/> <input type="button" value="CLV/PM"/></p> <p>Set the resistance for each motor phase.</p> | Default: <14> Min: 0.000 Ω Max: 65.000 Ω | 205 |
| E5-06 (32EH) <> | Motor d-Axis Inductance | <p><input type="button" value="V/f"/> <input type="button" value="V/f w/PG"/> <input type="button" value="OLV"/> <input type="button" value="CLV"/></p> <p><input type="button" value="OLV/PM"/> <input type="button" value="AOLV/PM"/> <input type="button" value="CLV/PM"/></p> <p>Sets the d-axis inductance for the PM motor.</p> | Default: <14> Min: 0.00 mH Max: 300.00 mH | 205 |
| E5-07 (32FH) <> | Motor q-Axis Inductance | <p><input type="button" value="V/f"/> <input type="button" value="V/f w/PG"/> <input type="button" value="OLV"/> <input type="button" value="CLV"/></p> <p><input type="button" value="OLV/PM"/> <input type="button" value="AOLV/PM"/> <input type="button" value="CLV/PM"/></p> <p>Sets the q-axis inductance for the PM motor.</p> | Default: <14> Min: 0.00 mH Max: 600.00 mH | 205 |
| E5-09 (331H) <> | Motor Induction Voltage Constant 1 | <p><input type="button" value="V/f"/> <input type="button" value="V/f w/PG"/> <input type="button" value="OLV"/> <input type="button" value="CLV"/></p> <p><input type="button" value="OLV/PM"/> <input type="button" value="AOLV/PM"/> <input type="button" value="CLV/PM"/></p> <p>Set the induced phase peak voltage in units of 0.1 mV (rad/s) [electrical angle]. Set this parameter when using a Yaskawa SSR1 Series PM motor with derated torque, or a Yaskawa SST4 Series motor with constant torque. When setting this parameter, E5-24 should be set to 0.</p> | Default: <14> Min: 0.0 mV/(rad/s) Max: 2000.0 mV/(rad/s) | 205 |

B.3 Parameter Table

| No.(Addr.) | Name | Description | Setting | Page |
|------------------------|---------------------------------------|--|--|------|
| E5-11 (333H) | Encoder Z-pulse Offset | <div style="display: flex; justify-content: space-around; margin-bottom: 5px;"> V/f V/f w/PG OLV CLV </div> <div style="display: flex; justify-content: space-around;"> OLV/PM AOLV/PM CLV/PM </div> <p>Sets the offset between the rotor magnetic axis and the Z pulse of an incremental encoder. Set during Z Pulse Offset Tuning.</p> | Default: 0.0 deg Min: -180 deg Max: 180 deg | 205 |
| E5-24 (353H) <3> | Motor Induction Voltage Constant 2 | <div style="display: flex; justify-content: space-around; margin-bottom: 5px;"> V/f V/f w/PG OLV CLV </div> <div style="display: flex; justify-content: space-around;"> OLV/PM AOLV/PM CLV/PM </div> <p>Set the induced phase-to-phase rms voltage in units of 0.1 mV/(r/min) [mechanical angle]. Set this parameter when using a Yaskawa SMRA Series SPM motor. When setting this parameter, E5-09 should be set to 0.</p> | Default: <14> Min: 0.0 mV/(r/min) Max: 2000.0 mV/(r/min) | 205 |

<3> Parameter setting value is not reset to the default value when the drive is initialized.

<4> Default setting is dependent on the control mode (A1-02), the drive model (o2-04), and the Drive Duty (C6-01).

<14> Default setting value is dependent on the motor code set to E5-01.

<19> This value's number of decimal places depends on the drive model and the Heavy/Normal duty selection in parameter C6-01. The value will have two decimal places (0.01 A) if the drive is set for a Maximum Applicable Motor Capacity up to 11 kW (refer to [Table A.2](#) and [Table A.3](#)) and one decimal place (0.1 A) if the set Maximum Applicable Motor Capacity is higher than 11 kW.

<23> If using a Yaskawa SMRA Series SPM Motor, the default setting is 1800 r/min.

<28> Selection may vary depending on the motor code entered to E5-01.

◆ F: Options

F parameters are used to program the drive for PG feedback from the motor and to function with option cards.

■ F1: PG Speed Control Card (PG-B3 / PG-X3)

Parameters F1-01, F1-05, F1-06, F1-12, F1-13, and F1-18 through F1-21 are used to set up a PG option card plugged into option connector CN5-C of the drive. They include "PG 1" in the parameter name.

Parameters F1-21 through F1-37 are used to set up a PG option card plugged into option connector CN5-B of the drive. They include "PG 2" in the parameter name.

Other parameters in the F1 group are used to set operation for PG options plugged into connector CN5-C and CN5-B.

| No.(Addr.) | Name | Description | Setting | Page |
|-----------------|---|---|---|------|
| F1-01 (380H) | PG 1 Pulses Per Revolution | <div style="display: flex; justify-content: space-around; margin-bottom: 5px;"> V/f V/f w/PG OLV CLV </div> <div style="display: flex; justify-content: space-around;"> OLV/PM AOLV/PM CLV/PM </div> <p>Sets the number of PG (pulse generator or encoder) pulses. Sets the number of pulses per motor revolution.</p> | Default: <10> Min: 0 ppr Max: 60000 ppr | 206 |
| F1-02 (381H) | Operation Selection at PG Open Circuit (PGo) | <div style="display: flex; justify-content: space-around; margin-bottom: 5px;"> V/f V/f w/PG OLV CLV </div> <div style="display: flex; justify-content: space-around;"> OLV/PM AOLV/PM CLV/PM </div> <p>0: Ramp to stop. Decelerate to stop using the deceleration time in C1-02. 1: Coast to stop. 2: Fast Stop. Decelerate to stop using the deceleration time in C1-09. 3: Alarm only. 4: No alarm display. Note: Due to potential damage to motor and machinery, the "Alarm only" and "No alarm display" setting should be used only under special circumstances.</p> | Default: 1 Min: 0 Max: 4 | 206 |
| F1-03 (382H) | Operation Selection at Overspeed (oS) | <div style="display: flex; justify-content: space-around; margin-bottom: 5px;"> V/f V/f w/PG OLV CLV </div> <div style="display: flex; justify-content: space-around;"> OLV/PM AOLV/PM CLV/PM </div> <p>0: Ramp to stop. Decelerate to stop using the deceleration time in C1-02. 1: Coast to stop. 2: Fast Stop. Decelerate to stop using the deceleration time in C1-09. 3: Alarm only.</p> | Default: 1 Min: 0 Max: 3 | 206 |
| F1-04 (383H) | Operation Selection at Deviation | <div style="display: flex; justify-content: space-around; margin-bottom: 5px;"> V/f V/f w/PG OLV CLV </div> <div style="display: flex; justify-content: space-around;"> OLV/PM AOLV/PM CLV/PM </div> <p>0: Ramp to stop. Decelerate to stop using the deceleration time in C1-02. 1: Coast to stop. 2: Fast Stop. Decelerate to stop using the deceleration time in C1-09. 3: Alarm only.</p> | Default: 3 Min: 0 Max: 3 | 207 |
| F1-05 (384H) | PG 1 Rotation Selection | <div style="display: flex; justify-content: space-around; margin-bottom: 5px;"> V/f V/f w/PG OLV CLV </div> <div style="display: flex; justify-content: space-around;"> OLV/PM AOLV/PM CLV/PM </div> <p>0: Pulse A leads 1: Pulse B leads</p> | Default: <10> Min: 0 Max: 1 | 207 |
| F1-06 (385H) | PG 1 Division Rate for PG Pulse Monitor | <div style="display: flex; justify-content: space-around; margin-bottom: 5px;"> V/f V/f w/PG OLV CLV </div> <div style="display: flex; justify-content: space-around;"> OLV/PM AOLV/PM CLV/PM </div> <p>Sets the division ratio for the pulse monitor used of the PG option card installed to connector CN5-C. By setting "xyz", the division ratio becomes = [(1 + x) / yz]. If only using the A pulse for one track input, then the input ratio will be 1:1, regardless of what F1-06 is set to.</p> | Default: 1 Min: 1 Max: 132 | 207 |

| No.(Addr.) | Name | Description | Setting | Page |
|-----------------|--|--|---|------|
| F1-08 (387H) | Overspeed Detection Level | <div style="display: flex; justify-content: space-between; align-items: center;"> V/f V/f w/PG OLV CLV </div> <div style="display: flex; justify-content: space-between; align-items: center;"> OLV/PM AOLV/PM CLV/PM </div> <p>Sets the overspeed detection level as a percentage of the maximum output frequency.</p> | Default: 115% Min: 0% Max: 120% | 206 |
| F1-09 (388H) | Overspeed Detection Delay Time | <div style="display: flex; justify-content: space-between; align-items: center;"> V/f V/f w/PG OLV CLV </div> <div style="display: flex; justify-content: space-between; align-items: center;"> OLV/PM AOLV/PM CLV/PM </div> <p>Sets the time in seconds for an overspeed situation to trigger a fault (oS).</p> | Default: <10> Min: 0.0 s Max: 2.0 s | 206 |
| F1-10 (389H) | Excessive Speed Deviation Detection Level | <div style="display: flex; justify-content: space-between; align-items: center;"> V/f V/f w/PG OLV CLV </div> <div style="display: flex; justify-content: space-between; align-items: center;"> OLV/PM AOLV/PM CLV/PM </div> <p>Sets the speed deviation detection level as a percentage of the maximum output frequency.</p> | Default: 10% Min: 0% Max: 50% | 207 |
| F1-11 (38AH) | Excessive Speed Deviation Detection Delay Time | <div style="display: flex; justify-content: space-between; align-items: center;"> V/f V/f w/PG OLV CLV </div> <div style="display: flex; justify-content: space-between; align-items: center;"> OLV/PM AOLV/PM CLV/PM </div> <p>Sets the time in seconds for a speed deviation situation to trigger a fault (dEv).</p> | Default: 0.5 s Min: 0.0 s Max: 10.0 s | 207 |
| F1-12 (38BH) | PG 1 Gear Teeth 1 | <div style="display: flex; justify-content: space-between; align-items: center;"> V/f V/f w/PG OLV CLV </div> <div style="display: flex; justify-content: space-between; align-items: center;"> OLV/PM AOLV/PM CLV/PM </div> | Default: 0 Min: 0 Max: 1000 | 207 |
| F1-13 (38CH) | PG 1 Gear Teeth 2 | <p>Sets the gear ratio between the motor shaft and the encoder (PG). A gear ratio of 1 will be used if either of these parameters is set to 0.</p> | Default: 0 Min: 0 Max: 1000 | 207 |
| F1-14 (38DH) | PG Open-Circuit Detection Time | <div style="display: flex; justify-content: space-between; align-items: center;"> V/f V/f w/PG OLV CLV </div> <div style="display: flex; justify-content: space-between; align-items: center;"> OLV/PM AOLV/PM CLV/PM </div> <p>Sets the time required to trigger a PG Open fault (PGo).</p> | Default: 2.0 s Min: 0.0 s Max: 10.0 s | 206 |
| F1-18 (3ADH) | dv3 Detection Selection | <div style="display: flex; justify-content: space-between; align-items: center;"> V/f V/f w/PG OLV CLV </div> <div style="display: flex; justify-content: space-between; align-items: center;"> OLV/PM AOLV/PM CLV/PM </div> <p>0: Disabled 1: Enabled</p> | Default: 10 Min: 0 Max: 10 | 208 |
| F1-19 (3AEH) | dv4 Detection Selection | <div style="display: flex; justify-content: space-between; align-items: center;"> V/f V/f w/PG OLV CLV </div> <div style="display: flex; justify-content: space-between; align-items: center;"> OLV/PM AOLV/PM CLV/PM </div> <p>0: Disabled n: Number of pulses that the A and B pulse are reversed that triggers dv4 detection.</p> | Default: 128 Min: 0 Max: 5000 | 208 |
| F1-20 (3B4H) | PG Option Card Disconnect Detection 1 | <div style="display: flex; justify-content: space-between; align-items: center;"> V/f V/f w/PG OLV CLV </div> <div style="display: flex; justify-content: space-between; align-items: center;"> OLV/PM AOLV/PM CLV/PM </div> <p>0: Disabled 1: Enabled</p> | Default: 1 Min: 0 Max: 1 | 208 |
| F1-21 (3BCH) | PG 1 Signal Selection | <div style="display: flex; justify-content: space-between; align-items: center;"> V/f V/f w/PG OLV CLV </div> <div style="display: flex; justify-content: space-between; align-items: center;"> OLV/PM AOLV/PM CLV/PM </div> <p>0: A pulse detection 1: AB pulse detection</p> | Default: 0 Min: 0 Max: 1 | 208 |
| F1-30 (3AAH) | PG Card Option Port for Motor 2 Selection | <div style="display: flex; justify-content: space-between; align-items: center;"> V/f V/f w/PG OLV CLV </div> <div style="display: flex; justify-content: space-between; align-items: center;"> OLV/PM AOLV/PM CLV/PM </div> <p>Sets the port for the PG option card used by motor 2. 0: CN5-C 1: CN5-B</p> | Default: 1 Min: 0 Max: 1 | 208 |
| F1-31 (3B0H) | PG 2 Pulses Per Revolution | <div style="display: flex; justify-content: space-between; align-items: center;"> V/f V/f w/PG OLV CLV </div> <div style="display: flex; justify-content: space-between; align-items: center;"> OLV/PM AOLV/PM CLV/PM </div> <p>Sets the number of pulses for a PG option card connected to port CN5-B.</p> | Default: 1024 ppr Min: 0 ppr Max: 60000 ppr | 206 |
| F1-32 (3B1H) | PG 2 Rotation Selection | <div style="display: flex; justify-content: space-between; align-items: center;"> V/f V/f w/PG OLV CLV </div> <div style="display: flex; justify-content: space-between; align-items: center;"> OLV/PM AOLV/PM CLV/PM </div> <p>0: Pulse A leads 1: Pulse B leads</p> | Default: 0 Min: 0 Max: 1 | 207 |
| F1-33 (3B2H) | PG 2 Gear Teeth 1 | <div style="display: flex; justify-content: space-between; align-items: center;"> V/f V/f w/PG OLV CLV </div> <div style="display: flex; justify-content: space-between; align-items: center;"> OLV/PM AOLV/PM CLV/PM </div> | Default: 0 Min: 0 Max: 1000 | 207 |
| F1-34 (3B3H) | PG 2 Gear Teeth 2 | <p>Sets the gear ratio between the motor shaft and the encoder (PG). A gear ratio of 1 will be used if either of these parameters is set to 0.</p> | Default: 0 Min: 0 Max: 1000 | 207 |
| F1-35 (3BEH) | PG 2 Division Rate for Pulse Monitor | <div style="display: flex; justify-content: space-between; align-items: center;"> V/f V/f w/PG OLV CLV </div> <div style="display: flex; justify-content: space-between; align-items: center;"> OLV/PM AOLV/PM CLV/PM </div> <p>Sets the division ratio for the pulse monitor used of the PG option card 2 installed to connector CN5-B. By setting "xyz", the division ratio becomes = [(1 + x) / yz].</p> | Default: 1 Min: 1 Max: 132 | 207 |

B.3 Parameter Table

| No.(Addr.) | Name | Description | Setting | Page |
|-----------------|---------------------------------------|---|--------------------------------|---------------------|
| F1-36 (3B5H) | PG Option Card Disconnect Detection 2 | <div style="display: flex; justify-content: space-between; align-items: center;"> V/f V/f w/PG OLV CLV </div> <div style="display: flex; justify-content: space-between; align-items: center;"> OLV/PM AOLV/PM CLV/PM </div> <p>0: Disabled 1: Enabled</p> | Default: 1 Min: 0 Max: 1 | 208 |
| F1-37 (3BDH) | PG 2 Signal Selection | <div style="display: flex; justify-content: space-between; align-items: center;"> V/f V/f w/PG OLV CLV </div> <div style="display: flex; justify-content: space-between; align-items: center;"> OLV/PM AOLV/PM CLV/PM </div> <p>0: A pulse detection 1: AB pulse detection</p> | Default: 0 Min: 0 Max: 1 | 208 |

<10> Default setting is determined by the control mode (A1-02).

■ F2: Analog Input Card (AI-A3)

| No.(Addr.) | Name | Description | Setting | Page |
|-----------------|--|---|--|---------------------|
| F2-01 (38FH) | Analog Input Option Card Operation Selection | <div style="text-align: center;">All Modes</div> <p>0: Option card input terminals V1, V2, and V3 replace drive input terminals A1, A2, and A3. 1: Input signals to terminals V1, V2, and V3 are added together to create the frequency reference.</p> | Default: 0 Min: 0 Max: 1 | 209 |
| F2-02 (368H) | Analog Input Option Card Gain | <div style="text-align: center;">All Modes</div> <p>Sets the gain for the input signal to the analog card.</p> | Default: 100.0% Min: -999.9% Max: 999.9% | 209 |
| F2-03 (369H) | Analog Input Option Card Bias | <div style="text-align: center;">All Modes</div> <p>Sets the bias for the input signal to the analog card.</p> | Default: 0.0% Min: -999.9% Max: 999.9% | 209 |

■ F3: Digital Input Card (DI-A3)

| No.(Addr.) | Name | Description | Setting | Page |
|-----------------|--|---|--------------------------------|---------------------|
| F3-01 (390H) | Digital Input Option Card Input Selection | <div style="text-align: center;">All Modes</div> <p>0: BCD, 1% units 1: BCD, 0.1% units 2: BCD, 0.01% units 3: BCD, 1 Hz units 4: BCD, 0.1 Hz units 5: BCD, 0.01 Hz units 6: BCD customized setting (5 digit), 0.02 Hz units 7: Binary input When the digital operator units are set to be displayed in Hertz or user-set units (o1-03 = 2 or 3), the units for F3-01 are determined by parameter o1-03.</p> | Default: 0 Min: 0 Max: 7 | 209 |
| F3-03 (3B9H) | Digital Input Option DI-A3 Data Length Selection | <div style="text-align: center;">All Modes</div> <p>0: 8 bit 1: 12 bit 2: 16 bit</p> | Default: 2 Min: 0 Max: 2 | 210 |

■ F4: Analog Monitor Card (AO-A3)

| No.(Addr.) | Name | Description | Setting | Page |
|-----------------|-------------------------------|--|--|---------------------|
| F4-01 (391H) | Terminal V1 Monitor Selection | <div style="text-align: center;">All Modes</div> <p>Sets the monitor signal for output from terminal V1. Set this parameter to the last three digits of the desired U□-□□ monitor. Some U parameters are available only in certain control modes.</p> | Default: 102 Min: 000 Max: 999 | 210 |
| F4-02 (392H) | Terminal V1 Monitor Gain | <div style="text-align: center;">All Modes</div> <p>Sets the gain for voltage output via terminal V1.</p> | Default: 100.0% Min: -999.9% Max: 999.9% | 210 |
| F4-03 (393H) | Terminal V2 Monitor Selection | <div style="text-align: center;">All Modes</div> <p>Sets the monitor signal for output from terminal V2. Set this parameter to the last three digits of the desired U□-□□ monitor. Some U parameters are available only in certain control modes.</p> | Default: 103 Min: 000 Max: 999 | 210 |
| F4-04 (394H) | Terminal V2 Monitor Gain | <div style="text-align: center;">All Modes</div> <p>Sets the gain for voltage output via terminal V2.</p> | Default: 50.0% Min: -999.9% Max: 999.9% | 210 |
| F4-05 (395H) | Terminal V1 Monitor Bias | <div style="text-align: center;">All Modes</div> <p>Sets the amount of bias added to the voltage output via terminal V1.</p> | Default: 0.0% Min: -999.9% Max: 999.9% | 210 |
| F4-06 (396H) | Terminal V2 Monitor Bias | <div style="text-align: center;">All Modes</div> <p>Sets the amount of bias added to the voltage output via terminal V2.</p> | Default: 0.0% Min: -999.9% Max: 999.9% | 210 |

| No.(Addr.) | Name | Description | Setting | Page |
|-----------------|--------------------------|--|--------------------------------|------|
| F4-07 (397H) | Terminal V1 Signal Level | All Modes 0: 0 to 10 V 1: -10 to 10 V | Default: 0 Min: 0 Max: 1 | 210 |
| F4-08 (398H) | Terminal V2 Signal Level | | Default: 0 Min: 0 Max: 1 | 210 |

F5: Digital Output Card (DO-A3)

| No.(Addr.) | Name | Description | Setting | Page |
|-----------------|---------------------------------|---|---|--------------------------------|
| F5-01 (399H) | Terminal P1-PC Output Selection | All Modes Sets the function for contact output terminals M1-M2, M3-M4, and photocoupler output terminals P1 through P6. | Default: 2 Min: 0 Max: 192 | 211 |
| F5-02 (39AH) | Terminal P2-PC Output Selection | | Default: 4 Min: 0 Max: 192 | 211 |
| F5-03 (39BH) | Terminal P3-PC Output Selection | | Default: 6 Min: 0 Max: 192 | 211 |
| F5-04 (39CH) | Terminal P4-PC Output Selection | | Default: 37 Min: 0 Max: 192 | 211 |
| F5-05 (39DH) | Terminal P5-PC Output Selection | | Default: F Min: 0 Max: 192 | 211 |
| F5-06 (39EH) | Terminal P6-PC Output Selection | | Default: F Min: 0 Max: 192 | 211 |
| F5-07 (39FH) | Terminal M1-M2 Output Selection | | Default: 0 Min: 0 Max: 192 | 211 |
| F5-08 (3A0H) | Terminal M3-M4 Output Selection | | Default: 1 Min: 0 Max: 192 | 211 |
| F5-09 (3A1H) | DO-A3 Output Mode Selection | | All Modes 0: Output terminals are each assigned separate output functions. 1: Binary code output 2: Use output terminal functions selected by parameters F5-01 through F5-08. | Default: 0 Min: 0 Max: 2 |

F6: Communication Option Card

F6-01 through F6-03 and F6-06 through F6-08 are common settings used for CC-Link, CANopen, DeviceNet, PROFIBUS-DP, and MECHATROLINK-II option cards. Other parameters in the F6 group are used for communication protocol specific settings.

For more details on a specific option card, refer to the instruction manual for the option card.

| No.(Addr.) | Name | Description | Setting | Page |
|-----------------|--|--|--|------|
| F6-01 (3A2H) | Communications Error Operation Selection | All Modes 0: Ramp to stop. Decelerate to stop using the deceleration time in C1-02. 1: Coast to stop. 2: Fast Stop. Decelerate to stop using the deceleration time in C1-09. 3: Alarm only. | Default: 1 Min: 0 Max: 3 | 211 |
| F6-02 (3A3H) | External Fault from Comm. Option Detection Selection | All Modes 0: Always detected 1: Detection during run only | Default: 0 Min: 0 Max: 1 | 212 |
| F6-03 (3A4H) | External Fault from Comm. Option Operation Selection | All Modes 0: Ramp to stop. Decelerate to stop using the deceleration time in C1-02. 1: Coast to stop. 2: Fast Stop. Decelerate to stop using the deceleration time in C1-09. 3: Alarm only. | Default: 1 Min: 0 Max: 3 | 212 |
| F6-04 (3A5H) | bUS Error Detection Time | All Modes Set the delay time for error detection if a bus error occurs. | Default: 2.0 s Min: 0.0 s Max: 5.0 s | - |
| F6-06 (3A7H) | Torque Reference/Torque Limit Selection from Comm. Option | Vf Vf w/PG OLV CLV OLV/PM AOLV/PM CLV/PM 0: Disabled. Torque reference/limit from option board disabled. 1: Enabled. Torque reference/limit from option board enabled. | Default: 0 Min: 0 Max: 1 | 212 |
| F6-07 (3A8H) | Multi-Step Speed Enable/Disable Selection when NefRef/ComRef is Selected | All Modes 0: Multi-step reference disabled (same as F7) 1: Multi-step reference enabled (same as V7) | Default: 0 Min: 0 Max: 1 | 212 |

B.3 Parameter Table

| No.(Addr.) | Name | Description | Setting | Page |
|----------------------|--|--|------------------------------------|------|
| F6-08 (36AH) ↔ | Reset Communication Parameters | All Modes 0: Communication-related parameters (F6-□□) are not reset when the drive is initialized using A1-03. 1: Reset all communication-related parameters (F6-□□) when the drive is initialized using A1-03. | Default: 0 Min: 0 Max: 1 | 212 |
| F6-10 (3B6H) | CC-Link Node Address | All Modes Sets the node address if a CC-Link option card is installed. | Default: 0 Min: 0 Max: 64 | — |
| F6-11 (3B7H) | CC-Link Communication Speed | All Modes 0: 156 Kbps 1: 625 Kbps 2: 2.5 Mbps 3: 5 Mbps 4: 10 Mbps | Default: 0 Min: 0 Max: 4 | — |
| F6-14 (3BBH) | CC-Link bUS Error Auto Reset | All Modes 0: Disabled 1: Enabled | Default: 0 Min: 0 Max: 1 | — |
| F6-20 (36BH) | MECHATROLINK Station Address | All Modes Sets the station address when the MECHATROLINK-II option has been installed. | Default: 21 Min: 20 Max: 3FH | — |
| F6-21 (36CH) | MECHATROLINK Frame Size | All Modes 0: 32 byte 1: 17 byte | Default: 0 Min: 0 Max: 1 | — |
| F6-22 (36DH) | MECHATROLINK Link Speed | All Modes 0: 10 Mbps 1: 4 Mbps | Default: 0 Min: 0 Max: 1 | — |
| F6-23 (36EH) | MECHATROLINK Monitor Selection (E) | All Modes Sets the MECHATROLINK-II monitor (E). | Default: 0 Min: 0 Max: FFFFH | — |
| F6-24 (36FH) | MECHATROLINK Monitor Selection (F) | All Modes Sets the MECHATROLINK-II monitor (F). | Default: 0 Min: 0 Max: FFFFH | — |
| F6-25 (3C9H) | Operation Selection at Watchdog Timer Error (E5) | All Modes 0: Ramp to stop. Decelerate to stop using the deceleration time in C1-02. 1: Coast to stop. 2: Fast Stop. Decelerate to stop using the deceleration time in C1-09. 3: Alarm only. | Default: 1 Min: 0 Max: 3 | — |
| F6-26 (3CAH) | MECHATROLINK bUS Errors Detected | All Modes Sets the number of option communication errors (bUS). | Default: 2 Min: 2 Max: 10 | — |
| F6-30 (3CBH) | PROFIBUS-DP Node Address | All Modes Sets the node address. | Default: 0 Min: 0 Max: 125 | — |
| F6-31 (3CCH) | PROFIBUS-DP Clear Mode Selection | All Modes 0: Resets drive operation with a Clear mode command. 1: Maintains the previous operation state when Clear mode command is given. | Default: 0 Min: 0 Max: 1 | — |
| F6-32 (3CDH) | PROFIBUS-DP Data Format Selection | All Modes 0: PPO Type 1: Conventional | Default: 0 Min: 0 Max: 1 | — |
| F6-35 (3D0H) | CANopen Node ID Selection | All Modes Sets the node address. | Default: 0 Min: 0 Max: 126 | — |
| F6-36 (3D1H) | CANopen Communication Speed | All Modes 0: Auto-detection 1: 10 kbps 2: 20 kbps 3: 50 kbps 4: 125 kbps 5: 250 kbps 6: 500 kbps 7: 800 kbps 8: 1 Mbps | Default: 6 Min: 0 Max: 8 | — |
| F6-50 (3C1H) | DeviceNet MAC Address | All Modes Selects the drives MAC address. | Default: 0 Min: 0 Max: 64 | — |
| F6-51 (3C2H) | DeviceNet Communication Speed | All Modes 0: 125 kbps 1: 250 kbps 2: 500 kbps 3: Adjustable from network 4: Detect automatically | Default: 0 Min: 0 Max: 4 | — |
| F6-52 (3C3H) | DeviceNet PCA Setting | All Modes Sets the format of the data set from the DeviceNet master to the drive. | Default: 21 Min: 0 Max: 255 | — |

| No.(Addr.) | Name | Description | Setting | Page |
|--|-------------------------------------|---|-----------------------------------|------|
| F6-53 (3C4H) | DeviceNet PPA Setting | All Modes Sets the format of the data set from the drive to the DeviceNet master. | Default: 71 Min: 0 Max: 255 | – |
| F6-54 (3C5H) | DeviceNet Idle Mode Fault Detection | All Modes 0: Enabled 1: Disabled, no fault detection | Default: 0 Min: 0 Max: 1 | – |
| F6-55 (3C6H) | DeviceNet Baud Rate Monitor | All Modes Used to verify the baud rate running on the network. 0: 125 kbps 1: 250 kbps 2: 500 kbps | Default: 0 Min: 0 Max: 2 | – |
| F6-56 (3D7H) | DeviceNet Speed Scaling | All Modes Sets the scaling factor for the speed monitor in DeviceNet. | Default: 0 Min: -15 Max: 15 | – |
| F6-57 (3D8H) | DeviceNet Current Scaling | All Modes Sets the scaling factor for the output current monitor in DeviceNet. | Default: 0 Min: -15 Max: 15 | – |
| F6-58 (3D9H) | DeviceNet Torque Scaling | All Modes Sets the scaling factor for the torque monitor in DeviceNet. | Default: 0 Min: -15 Max: 15 | – |
| F6-59 (3DAH) | DeviceNet Power Scaling | All Modes Sets the scaling factor for the power monitor in DeviceNet. | Default: 0 Min: -15 Max: 15 | – |
| F6-60 (3DBH) | DeviceNet Voltage Scaling | All Modes Sets the scaling factor for the voltage monitor in DeviceNet. | Default: 0 Min: -15 Max: 15 | – |
| F6-61 (3DCH) | DeviceNet Time Scaling | All Modes Sets the scaling factor for the time monitor in DeviceNet. | Default: 0 Min: -15 Max: 15 | – |
| F6-62 (3DDH) | DeviceNet Heartbeat Interval | All Modes Sets the heartbeat interval for DeviceNet communications. | Default: 0 Min: 0 Max: 10 | – |
| F6-63 (3DEH) | DeviceNet Network MAC ID | All Modes Used to verify the MAC ID the drive has been assigned. | Default: 0 Min: 0 Max: 63 | – |
| F6-64 to F6-71 (3DFH to 3C8H) | Reserved | All Modes Reserved for Dynamic I/O Assembly Parameters. | – | – |

<3> Parameter setting value is not reset to the default value when the drive is initialized.

◆ H Parameters: Multi-Function Terminals

H parameters assign functions to the multi-function input and output terminals.

■ H1: Multi-Function Digital Inputs

| No.(Addr.) | Name | Description | Setting | Page |
|-----------------|---|--|---|------|
| H1-01 (438H) | Multi-Function Digital Input Terminal S1 Function Selection | All Modes Assigns a function to the multi-function digital inputs. Refer to <i>H1 Multi-Function Digital Input Selections on page 424</i> for a description of setting values. Note: Unused terminals should be set to F. | Default: 40 (F) <31> Min: 1 Max: 9F | 214 |
| H1-02 (439H) | Multi-Function Digital Input Terminal S2 Function Selection | | Default: 41 (F) <31> Min: 1 Max: 9F | 214 |
| H1-03 (400H) | Multi-Function Digital Input Terminal S3 Function Selection | | Default: 24 Min: 0 Max: 9F | 214 |
| H1-04 (401H) | Multi-Function Digital Input Terminal S4 Function Selection | | Default: 14 Min: 0 Max: 9F | 214 |
| H1-05 (402H) | Multi-Function Digital Input Terminal S5 Function Selection | | Default: 3(0) <31> Min: 0 Max: 9F | 214 |
| H1-06 (403H) | Multi-Function Digital Input Terminal S6 Function Selection | | Default: 4(3) <31> Min: 0 Max: 9F | 214 |
| H1-07 (404H) | Multi-Function Digital Input Terminal S7 Function Selection | | Default: 6(4) <31> Min: 0 Max: 9F | 214 |
| H1-08 (405H) | Multi-Function Digital Input Terminal S8 Function Selection | | Default: 8 Min: 0 Max: 9F | 214 |

<31> Value in parenthesis is the default setting when a 3-wire initialization is performed (A1-03 = 3330).

B.3 Parameter Table

| H1 Multi-Function Digital Input Selections | | | |
|--|----------------------------------|--|------|
| H1-□□ Setting | Function | Description | Page |
| 0 | 3-wire Sequence | <p>All Modes</p> <p>Closed: Reverse rotation (only if the drive is set up for 3-wire sequence) Terminals S1 and S2 are automatically set up for the Run command and Stop command.</p> | 215 |
| 1 | LOCAL/REMOTE Selection | <p>All Modes</p> <p>Open: REMOTE (parameter settings determine the source of the frequency Reference 1 or 2 (b1-01, b1-02 or b1-15, b1-16) Closed: LOCAL, digital operator is run and reference source</p> | 215 |
| 2 | External Reference 1/2 Selection | <p>All Modes</p> <p>Open: Run command and frequency reference source 1 (determined by b1-01 and b1-02) Closed: Run command and frequency reference source 2 (determined by b1-15 and b1-16)</p> | 216 |
| 3 | Multi-Step Speed Reference 1 | <p>All Modes</p> <p>When input terminals are set to Multi-Step Speed References 1 through 3, switching combinations of those terminals will create a multi-step speed sequence using the frequency references set in d1-01 through d1-08.</p> | 216 |
| 4 | Multi-Step Speed Reference 2 | | 216 |
| 5 | Multi-Step Speed Reference 3 | | 216 |
| 6 | Jog Reference Selection | <p>All Modes</p> <p>Closed: Jog frequency reference (d1-17) selected. Jog has priority over all other reference sources.</p> | 216 |
| 7 | Accel/Decel Time Selection 1 | <p>All Modes</p> <p>Used to switch between accel/decel time 1 (set in C1-01, C1-02) and accel/decel time 2 (set in C1-03, C1-04).</p> | 216 |
| 8 | Baseblock Command (N.O.) | <p>All Modes</p> <p>Closed: No drive output</p> | 216 |
| 9 | Baseblock Command (N.C.) | <p>All Modes</p> <p>Open: No drive output</p> | 216 |
| A | Accel/Decel Ramp Hold | <p>All Modes</p> <p>Open: Accel/decel is not held Closed: The drive pauses during acceleration or deceleration and maintains the output frequency.</p> | 216 |
| B | Drive Overheat Alarm (oH2) | <p>All Modes</p> <p>Closed: Closes when an oH2 alarm occurs</p> | 217 |
| C | Analog Terminal Input Selection | <p>All Modes</p> <p>Open: Function assigned by H3-14 is disabled. Closed: Function assigned by H3-14 is enabled.</p> | 217 |
| D | PG Encoder Disable | <p>All Modes</p> <p> <input type="checkbox"/> V/f <input checked="" type="checkbox"/> V/f w/PG <input type="checkbox"/> OLV <input type="checkbox"/> CLV <input type="checkbox"/> OLV/PM <input type="checkbox"/> AOLV/PM <input type="checkbox"/> CLV/PM </p> <p>Open: Speed feedback for V/f Control with PG is enabled. Closed: Speed feedback disabled.</p> | 217 |
| E | ASR Integral Reset | <p>All Modes</p> <p> <input type="checkbox"/> V/f <input checked="" type="checkbox"/> V/f w/PG <input type="checkbox"/> OLV <input checked="" type="checkbox"/> CLV <input type="checkbox"/> OLV/PM <input type="checkbox"/> AOLV/PM <input type="checkbox"/> CLV/PM </p> <p>Open: PI control Closed: Integral reset</p> | 217 |
| F | Through Mode | <p>All Modes</p> <p>Select this setting when using the terminal in a pass-through mode. The terminal does not trigger a drive function but can be used as digital input for the controller the drive is connected to.</p> | 217 |
| 10 | Up Command | <p>All Modes</p> <p>The drive accelerates when the Up command terminal closes, and decelerates when the Down command closes. When both terminals are closed or both are open, the drive holds the frequency reference. The Up and Down commands must always be used in conjunction with one another.</p> | 217 |
| 11 | Down Command | | 217 |
| 12 | Forward Jog | <p>All Modes</p> <p>Closed: Runs forward at the Jog frequency d1-17.</p> | 218 |
| 13 | Reverse Jog | <p>All Modes</p> <p>Closed: Runs reverse at the Jog frequency d1-17.</p> | 218 |
| 14 | Fault Reset | <p>All Modes</p> <p>Closed: Resets faults if the cause is cleared and the Run command is removed.</p> | 218 |
| 15 | Fast Stop (N.O.) | <p>All Modes</p> <p>Closed: Decelerates at the Fast Stop time set to C1-09.</p> | 218 |

| H1 Multi-Function Digital Input Selections | | | |
|--|---------------------------------------|---|------|
| H1-□□ Setting | Function | Description | Page |
| 16 | Motor 2 Selection | <p>V/f V/f w/PG OLV CLV</p> <p>OLV/PM AOLV/PM CLV/PM</p> <p>Open: Motor 1 (E1-□□, E2-□□) Closed: Motor 2 (E3-□□, E4-□□)</p> | 219 |
| 17 | Fast Stop (N.C.) | <p>All Modes</p> <p>Open: Decelerates to stop at the Fast Stop time set to C1-09.</p> | 218 |
| 18 | Timer Function Input | <p>All Modes</p> <p>Triggers the timer set up by parameters b4-01 and b4-02. Must be set in conjunction with the timer function output (H2-□□ = 12).</p> | 219 |
| 19 | PID Disable | <p>All Modes</p> <p>Open: PID control enabled Closed: PID control disabled</p> | 219 |
| 1A | Accel/Decel Time Selection 2 | <p>All Modes</p> <p>Used in conjunction with an input terminal set for "Accel/decel time selection 1" (H1-□□ = 7), and allows the drive to switch between accel/decel times 3 and 4.</p> | 220 |
| 1B | Program Lockout | <p>All Modes</p> <p>Open: Parameters cannot be edited (except for U1-01 if the reference source is assigned to the digital operator). Closed: Parameters can be edited and saved.</p> | 220 |
| 1E | Reference Sample Hold | <p>All Modes</p> <p>Closed: Samples the analog frequency reference and operates the drive at that speed.</p> | 220 |
| 20 to 2F | External Fault | <p>All Modes</p> <p>20: N.O., Always detected, ramp to stop 21: N.C., Always detected, ramp to stop 22: N.O., During run, ramp to stop 23: N.C., During run, ramp to stop 24: N.O., Always detected, coast to stop 25: N.C., Always detected, coast to stop 26: N.O., During run, coast to stop 27: N.C., During run, coast to stop 28: N.O., Always detected, Fast Stop 29: N.C., Always detected, Fast Stop 2A: N.O., During run, Fast Stop 2B: N.C., During run, Fast Stop 2C: N.O., Always detected, alarm only (continue running) 2D: N.C., Always detected, alarm only (continue running) 2E: N.O., During run, alarm only (continue running) 2F: N.C., During run, alarm only (continue running)</p> | 220 |
| 30 | PID Integral Reset | <p>All Modes</p> <p>Closed: Resets the PID control integral value.</p> | 221 |
| 31 | PID Integral Hold | <p>All Modes</p> <p>Open: Performs integral operation. Closed: Maintains the current PID control integral value.</p> | 221 |
| 32 | Multi-Step Speed Reference 4 | <p>All Modes</p> <p>Used in combination with input terminals set to Multi-Step Speed Reference 1, 2, and 3. Use parameters d1-09 to d1-16 to set reference values.</p> | 221 |
| 34 | PID Soft Starter Cancel | <p>All Modes</p> <p>Open: PID soft starter is enabled. Closed: Disables the PID soft starter b5-17.</p> | 221 |
| 35 | PID Input Level Selection | <p>All Modes</p> <p>Closed: Inverts the PID input signal</p> | 221 |
| 40 | Forward Run Command (2-wire Sequence) | <p>All Modes</p> <p>Open: Stop Closed: Forward run Note: Cannot be set together with settings 42 or 43.</p> | 221 |
| 41 | Reverse Run Command (2-wire Sequence) | <p>All Modes</p> <p>Open: Stop Closed: Reverse run Note: Cannot be set together with settings 42 or 43.</p> | 221 |
| 42 | Run Command (2-wire Sequence 2) | <p>All Modes</p> <p>Open: Stop Closed: Run Note: Cannot be set together with settings 40 or 41.</p> | 221 |

B.3 Parameter Table

| H1 Multi-Function Digital Input Selections | | | |
|--|--|---|------|
| H1-□□ Setting | Function | Description | Page |
| 43 | FWD/REV Command (2-wire Sequence 2) | <p>All Modes</p> <p>Open: Forward Closed: Reverse Note: Determines motor direction, but does not issue a Run command. Cannot be set together with settings 40 or 41.</p> | 221 |
| 44 | Offset Frequency 1 | <p>All Modes</p> <p>Closed: Adds d7-01 to the frequency reference.</p> | 221 |
| 45 | Offset Frequency 2 | <p>All Modes</p> <p>Closed: Adds d7-02 to the frequency reference.</p> | 221 |
| 46 | Offset Frequency 3 | <p>All Modes</p> <p>Closed: Adds d7-03 to the frequency reference.</p> | 221 |
| 47 | Node Setup | <p>All Modes</p> <p>Closed: Node setup for SI-S3 enabled.</p> | 222 |
| 60 | DC Injection Braking Command | <p>V/f V/f w/PG OLV CLV OLV/PM AOLV/PM CLV/PM</p> <p>Closed: Triggers DC Injection Braking.</p> | 222 |
| 61 | External Speed Search Command 1 | <p>V/f V/f w/PG OLV CLV OLV/PM AOLV/PM CLV/PM</p> <p>Closed: Activates Current Detection Speed Search from the maximum output frequency (E1-04).</p> | 222 |
| 62 | External Speed Search Command 2 | <p>V/f V/f w/PG OLV CLV OLV/PM AOLV/PM CLV/PM</p> <p>Closed: Activates Current Detection Speed Search from the frequency reference.</p> | 222 |
| 63 | Field Weakening | <p>V/f V/f w/PG OLV CLV OLV/PM AOLV/PM CLV/PM</p> <p>Closed: The drive performs Field Weakening control as set for d6-01 and d6-02.</p> | 222 |
| 65 | KEB Ride-Thru 1 (N.C.) | <p>All Modes</p> <p>Open: KEB Ride-Thru 1 enabled</p> | 222 |
| 66 | KEB Ride-Thru 1 (N.O.) | <p>All Modes</p> <p>Closed: KEB Ride-Thru 1 enabled</p> | 222 |
| 67 | Communications Test Mode | <p>All Modes</p> <p>Tests the MEMOBUS/Modbus RS-485/422 interface. Displays "PASS" if the test completes successfully.</p> | 222 |
| 68 | High Slip Braking | <p>V/f V/f w/PG OLV CLV OLV/PM AOLV/PM CLV/PM</p> <p>Closed: Activates High Slip Braking to stop the drive.</p> | 222 |
| 6A | Drive Enable | <p>All Modes</p> <p>Open: Drive disabled. If this input is opened during run, then the drive will stop as specified by b1-03. Closed: Ready for operation.</p> | 222 |
| 71 | Speed/Torque Control Switch | <p>V/f V/f w/PG OLV CLV OLV/PM AOLV/PM CLV/PM</p> <p>Open: Speed Control Closed: Torque Control</p> | 223 |
| 72 | Zero Servo | <p>V/f V/f w/PG OLV CLV OLV/PM AOLV/PM CLV/PM</p> <p>Closed: Zero Servo enabled</p> | 223 |
| 75 | Up 2 Command | <p>All Modes</p> | 223 |
| 76 | Down 2 Command | <p>Used to control the bias added to the frequency reference by the Up/Down 2 function. The Up 2 and Down 2 commands must always be used in conjunction with one another.</p> | 223 |
| 77 | ASR Gain Switch | <p>V/f V/f w/PG OLV CLV OLV/PM AOLV/PM CLV/PM</p> <p>Open: ASR proportional gain 1 (C5-01) Closed: ASR proportional gain 2 (C5-03)</p> | 223 |
| 78 | External Torque Reference Polarity Inversion | <p>V/f V/f w/PG OLV CLV OLV/PM AOLV/PM CLV/PM</p> <p>Open: Forward torque reference Closed: Reverse polarity</p> | 223 |

| H1 Multi-Function Digital Input Selections | | | |
|--|---|---|------|
| H1-□□ Setting | Function | Description | Page |
| 7A | KEB Ride-Thru 2 (N.C.) | All Modes Open: KEB Ride-Thru 2 enabled. Drive disregards L2-29 and performs Single Drive KEB Ride-Thru 2. | 224 |
| 7B | KEB Ride-Thru 2 (N.O.) | All Modes Closed: KEB Ride-Thru 2 enabled. Drive disregards L2-29 and performs Single Drive KEB Ride-Thru 2. | 224 |
| 7C | Short Circuit Braking (N.O.) | V/f V/f w/PG OLV CLV OLV/PM AOLV/PM CLV/PM Closed: Short Circuit Braking enabled | 224 |
| 7D | Short Circuit Braking (N.C.) | V/f V/f w/PG OLV CLV OLV/PM AOLV/PM CLV/PM Open: Short Circuit Braking enabled | 224 |
| 7E | Forward/Reverse Detection (V/f Control with Simple PG feedback) | V/f V/f w/PG OLV CLV OLV/PM AOLV/PM CLV/PM Direction of rotation detection (for V/f with Simple PG Feedback) | 224 |
| 7F | Bi-Directional PID Output Selection | All Modes Open: Bi-directional output is disabled. Closed: Bi-directional output is enabled. | 224 |
| 90 to 97 | DriveWorksEZ Digital Inputs 1 to 8 | All Modes Reserved for DWEZ input functions | 224 |
| 9F | DriveWorksEZ Disable | All Modes Open: DWEZ enabled Closed: DWEZ disabled | 224 |

■ H2: Multi-Function Digital Outputs

| No.(Addr.) | Name | Description | Setting | Page |
|--------------|---|---|----------------------------------|------|
| H2-01 (40BH) | Terminal M1-M2 function selection (relay) | All Modes Refer to H2 Multi-Function Digital Output Settings on page 427 for a description of setting values. | Default: 0 Min: 0 Max: 192 | 224 |
| H2-02 (40CH) | Terminal M3-M4 function selection (relay) | | Default: 1 Min: 0 Max: 192 | 224 |
| H2-03 (40DH) | Terminal M5-M6 function selection (relay) | | Default: 2 Min: 0 Max: 192 | 224 |
| H2-06 (437H) | Watt Hour Output Unit Selection | All Modes Outputs a 200 ms pulse signal when the watt-hour counter increases by the units selected. 0: 0.1 kWh units 1: 1 kWh units 2: 10 kWh units 3: 100 kWh units 4: 1000 kWh units | Default: 0 Min: 0 Max: 4 | 234 |

| H2 Multi-Function Digital Output Settings | | | |
|---|------------------------|--|------|
| H2-□□ Setting | Function | Description | Page |
| 0 | During Run | All Modes Closed: A Run command is active or voltage is output. | 225 |
| 1 | Zero Speed | All Modes Open: Output frequency is above the minimum output frequency set in E1-09. Closed: Output frequency is below the minimum output frequency set in E1-09. | 225 |
| 2 | Speed Agree 1 | All Modes Closed: Output frequency equals the speed reference (plus or minus the hysteresis set to L4-02). | 226 |
| 3 | User-set Speed Agree 1 | All Modes Closed: Output frequency and speed reference equal L4-01 (plus or minus the hysteresis set to L4-02). | 226 |
| 4 | Frequency Detection 1 | All Modes Closed: Output frequency is less than or equal to the value in L4-01 with hysteresis determined by L4-02. | 227 |
| 5 | Frequency Detection 2 | All Modes Closed: Output frequency is greater than or equal to the value in L4-01 with hysteresis determined by L4-02. | 227 |
| 6 | Drive Ready | All Modes Closed: Power up is complete and the drive is ready to accept a Run command. | 227 |

B.3 Parameter Table







| H2 Multi-Function Digital Output Settings | | | |
|---|----------------------------|---|------|
| H2-□□ Setting | Function | Description | Page |
| 7 | DC bus Undervoltage | All Modes Closed: DC bus voltage is below the Uv trip level set in L2-05. | 228 |
| 8 | During Baseblock (N.O.) | All Modes Closed: Drive has entered the baseblock state (no output voltage). | 228 |
| 9 | Frequency Reference Source | All Modes Open: External Reference 1 or 2 supplies the frequency reference (set in b1-01 or b1-15). Closed: Digital operator supplies the frequency reference. | 228 |
| A | Run Command Source | All Modes Open: External Reference 1 or 2 supplies the Run command (set in b1-02 or b1-16). Closed: Digital operator supplies the Run command. | 228 |
| B | Torque Detection 1 (N.O.) | All Modes Closed: An overtorque or undertorque situation has been detected. | 228 |
| C | Frequency Reference Loss | All Modes Closed: Analog frequency reference has been lost. | 228 |
| D | Braking Resistor Fault | All Modes Closed: Braking resistor or transistor is overheated or faulted out. | 228 |
| E | Fault | All Modes Closed: Fault occurred. | 228 |
| F | Through Mode | All Modes Set this value when using the terminal in the pass-through mode. | 229 |
| 10 | Minor Fault | All Modes Closed: An alarm has been triggered, or the IGBTs have reached 90% of their expected life span. | 229 |
| 11 | Fault Reset Command Active | All Modes Closed: A command has been entered to clear a fault via the input terminals or from the serial network. | 229 |
| 12 | Timer Output | All Modes Closed: Timer output. | 229 |
| 13 | Speed Agree 2 | All Modes Closed: When drive output frequency equals the frequency reference \pm L4-04. | 229 |
| 14 | User-set Speed Agree 2 | All Modes Closed: When the drive output frequency is equal to the value in L4-03 \pm L4-04. | 229 |
| 15 | Frequency Detection 3 | All Modes Closed: When the drive output frequency is less than or equal to the value in L4-03 \pm L4-04. | 230 |
| 16 | Frequency Detection 4 | All Modes Closed: When the output frequency is greater than or equal to the value in L4-03 \pm L4-04. | 230 |
| 17 | Torque Detection 1 (N.C.) | All Modes Open: Overtorque or undertorque has been detected. | 228 |
| 18 | Torque Detection 2 (N.O.) | All Modes Closed: Overtorque or undertorque has been detected. | 228 |
| 19 | Torque Detection 2 (N.C.) | All Modes Open: Overtorque or undertorque has been detected. | 228 |
| 1A | During Reverse | All Modes Closed: Drive is running in the reverse direction. | 231 |
| 1B | During Baseblock (N.C.) | All Modes Open: Drive has entered the baseblock state (no output voltage). | 231 |
| 1C | Motor 2 Selection | V/f V/f w/PG OLV CLV OLV/PM AOLV/PM CLV/PM Closed: Motor 2 is selected by a digital input (H1-□□ = 16) | 231 |
| 1D | During Regeneration | V/f V/f w/PG OLV CLV OLV/PM AOLV/PM CLV/PM Closed: Motor is regenerating energy into the drive. | 231 |
| 1E | Restart Enabled | All Modes Closed: An automatic restart is performed | 231 |

| H2 Multi-Function Digital Output Settings | | | |
|---|--------------------------------------|--|------|
| H2-□□ Setting | Function | Description | Page |
| 1F | Motor Overload Alarm (oL1) | All Modes Closed: oL1 is at 90% of its trip point or greater. An oH3 situation also triggers this alarm. | 231 |
| 20 | Drive Overheat Pre-alarm (oH) | All Modes Closed: Heatsink temperature exceeds the parameter L8-02 value. | 231 |
| 22 | Mechanical Weakening Detection | All Modes Closed: Mechanical weakening detected. | 231 |
| 2F | Maintenance Period | All Modes Closed: Cooling fan, electrolytic capacitors, IGBTs, or the soft charge bypass relay may require maintenance. | 232 |
| 30 | During Torque Limit | V/f V/f w/PG OLV CLV OLV/PM AOLV/PM CLV/PM Closed: When the torque limit has been reached. | 232 |
| 31 | During Speed Limit | V/f V/f w/PG OLV CLV OLV/PM AOLV/PM CLV/PM Closed: Speed limit has been reached. | 232 |
| 32 | During Speed Limit in Torque Control | V/f V/f w/PG OLV CLV OLV/PM AOLV/PM CLV/PM Closed: Speed limit has been reached while using Torque Control. | 232 |
| 33 | Zero Servo Complete | V/f V/f w/PG OLV CLV OLV/PM AOLV/PM CLV/PM Closed: Zero Servo operation has finished. | 232 |
| 37 | During Frequency Output | All Modes Open: Either the drive has stopped or baseblock, DC Injection Braking, or Initial Excitation is being performed. Closed: Drive is running the motor (not in a baseblock state and DC Injection is not being performed). | 232 |
| 38 | Drive Enabled | All Modes Closed: Multi-function input set for "Drive enable" is closed (H1-□□ = 6A) | 232 |
| 39 | Watt Hour Pulse Output | All Modes Output units are determined by H2-06. Outputs a pulse every 200 ms to indicate the kWh count. | 232 |
| 3C | LOCAL/REMOTE Status | All Modes Open: REMOTE Closed: LOCAL | 233 |
| 3D | During Speed Search | V/f V/f w/PG OLV CLV OLV/PM AOLV/PM CLV/PM Closed: Speed Search is being executed. | 233 |
| 3E | PID Feedback Low | All Modes Closed: PID feedback level is too low. | 233 |
| 3F | PID Feedback High | All Modes Closed: The PID feedback level is too high. | 233 |
| 4A | During KEB Ride-Thru | All Modes Closed: KEB Ride-Thru is being performed. | 233 |
| 4B | During Short-Circuit Braking | V/f V/f w/PG OLV CLV OLV/PM AOLV/PM CLV/PM Closed: Short Circuit Braking is active. | 233 |
| 4C | During Fast Stop | All Modes Closed: A Fast Stop command has been entered from the operator or input terminals. | 233 |
| 4D | oH Pre-alarm Time Limit | All Modes Closed: oH pre-alarm time limit has passed. | 233 |
| 4E | Braking Transistor Fault (rr) | All Modes Closed: The built-in dynamic braking transistor failed. | 233 |
| 4F | Braking Resistor Overheat (oH) | All Modes Closed: The dynamic braking resistor has overheated. | 233 |
| 60 | Internal Cooling Fan Alarm | All Modes Closed: Internal cooling fan alarm | 233 |

B.3 Parameter Table

| H2 Multi-Function Digital Output Settings | | | |
|---|--------------------------------------|--|------|
| H2-□□ Setting | Function | Description | Page |
| 61 | Rotor Position Detection Complete | <div style="display: flex; justify-content: space-around; align-items: center;"> V/f V/f w/PG OLV CLV </div> <div style="display: flex; justify-content: space-around; align-items: center;"> OLV/PM AOLV/PM CLV/PM </div> <p>Closed: Drive has successfully detected the rotor position of the PM motor.</p> | 233 |
| 90 to 92 | DriveWorksEZ Digital Outputs 1 to 3 | <p>All Modes</p> <p>Reserved for DWEZ digital output functions.</p> | 233 |
| 100 to 192 | Function 0 to 92 with Inverse Output | <p>All Modes</p> <p>Inverts the output switching of the multi-function output functions. Set the last two digits of 1□□ to reverse the output signal of that specific function.</p> | 233 |

■ H3: Multi-Function Analog Inputs




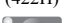
| No.(Addr.) | Name | Description | Setting | Page |
|--|--|---|--|------|
| H3-01 (410H) | Terminal A1 Signal Level Selection | <p>All Modes</p> <p>0: 0 to 10 V 1: -10 to 10 V</p> | Default: 0 Min: 0 Max: 1 | 234 |
| H3-02 (434H) | Terminal A1 Function Selection | <p>All Modes</p> <p>Sets the function of terminal A1.</p> | Default: 0 Min: 0 Max: 31 | 234 |
| H3-03 (411H)  | Terminal A1 Gain Setting | <p>All Modes</p> <p>Sets the level of the input value selected in H3-02 when 10 V is input at terminal A1.</p> | Default: 100.0% Min: -999.9% Max: 999.9% | 234 |
| H3-04 (412H)  | Terminal A1 Bias Setting | <p>All Modes</p> <p>Sets the level of the input value selected in H3-02 when 0 V is input at terminal A1.</p> | Default: 0.0% Min: -999.9% Max: 999.9% | 234 |
| H3-05 (413H) | Terminal A3 Signal Level Selection | <p>All Modes</p> <p>0: 0 to 10 V 1: -10 to 10 V</p> | Default: 0 Min: 0 Max: 1 | 235 |
| H3-06 (414H) | Terminal A3 Function Selection | <p>All Modes</p> <p>Sets the function of terminal A3.</p> | Default: 2 Min: 0 Max: 31 | 235 |
| H3-07 (415H)  | Terminal A3 Gain Setting | <p>All Modes</p> <p>Sets the level of the input value selected in H3-06 when 10 V is input at terminal A3.</p> | Default: 100.0% Min: -999.9% Max: 999.9% | 236 |
| H3-08 (416H)  | Terminal A3 Bias Setting | <p>All Modes</p> <p>Sets the level of the input value selected in H3-06 when 0 V is input at terminal A3.</p> | Default: 0.0% Min: -999.9% Max: 999.9% | 236 |
| H3-09 (417H) | Terminal A2 Signal Level Selection | <p>All Modes</p> <p>0: 0 to 10 V 1: -10 to 10 V 2: 4 to 20 mA 3: 0 to 20 mA</p> <p>Note: Use DIP switch S1 to set input terminal A2 for a current or a voltage input signal.</p> | Default: 2 Min: 0 Max: 3 | 236 |
| H3-10 (418H) | Terminal A2 Function Selection | <p>All Modes</p> <p>Sets the function of terminal A2.</p> | Default: 0 Min: 0 Max: 31 | 236 |
| H3-11 (419H)  | Terminal A2 Gain Setting | <p>All Modes</p> <p>Sets the level of the input value selected in H3-10 when 10 V (20 mA) is input at terminal A2.</p> | Default: 100.0% Min: -999.9% Max: 999.9% | 236 |
| H3-12 (41AH)  | Terminal A2 Bias Setting | <p>All Modes</p> <p>Sets the level of the input value selected in H3-10 when 0 V (0 or 4 mA) is input at terminal A2.</p> | Default: 0.0% Min: -999.9% Max: 999.9% | 236 |
| H3-13 (41BH) | Analog Input Filter Time Constant | <p>All Modes</p> <p>Sets a primary delay filter time constant for terminals A1, A2, and A3. Used for noise filtering.</p> | Default: 0.03 s Min: 0.00 s Max: 2.00 s | 236 |
| H3-14 (41CH) | Analog Input Terminal Enable Selection | <p>All Modes</p> <p>Determines which of the analog input terminals will be enabled when a digital input programmed for "Analog input enable" (H1-□□ = C) is activated.</p> <p>1: Terminal A1 only 2: Terminal A2 only 3: Terminals A1 and A2 only 4: Terminal A3 only 5: Terminals A1 and A3 6: Terminals A2 and A3 7: All terminals enabled</p> | Default: 7 Min: 1 Max: 7 | 237 |

| H3 Multi-Function Analog Input Settings | | | |
|---|--|--|------|
| H3-□□ Setting | Function | Description | Page |
| 0 | Frequency Bias | All Modes 10 V = E1-04 (maximum output frequency) | 237 |
| 1 | Frequency Gain | All Modes 0 to 10 V signal allows a setting of 0 to 100%. -10 to 0 V signal allows a setting of -100 to 0%. | 237 |
| 2 | Auxiliary Frequency Reference 1 (used as a Multi-Step Speed 2) | All Modes 10 V = E1-04 (maximum output frequency) | 237 |
| 3 | Auxiliary Frequency Reference 2 (3rd step analog) | All Modes 10 V = E1-04 (maximum output frequency) | 238 |
| 4 | Output Voltage Bias | V/f V/f w/PG OLV CLV OLV/PM AOLV/PM CLV/PM 10 V = E1-05 (motor rated voltage) | 238 |
| 5 | Accel/Decel Time Gain | All Modes 10 V = 100% | 238 |
| 6 | DC Injection Braking Current | V/f V/f w/PG OLV CLV OLV/PM AOLV/PM CLV/PM 10 V = Drive rated current | 238 |
| 7 | Overtorque/Undertorque Detection Level | All Modes 10 V = Drive rated current (V/f, V/fw/PG) 10 V = Motor rated torque (OLV, CLV, OLV/PM, AOLV/PM, CLV/PM) | 238 |
| 8 | Stall Prevention Level During Run | V/f V/f w/PG OLV CLV OLV/PM AOLV/PM CLV/PM 10 V = Drive rated current | 238 |
| 9 | Output Frequency Lower Limit Level | All Modes 10 V = E1-04 (maximum output frequency) | 239 |
| B | PID Feedback | All Modes 10 V = 100% | 239 |
| C | PID Setpoint | All Modes 10 V = 100% | 239 |
| D | Frequency Bias | All Modes 10 V = E1-04 (maximum output frequency) | 239 |
| E | Motor Temperature (PTC input) | All Modes 10 V = 100% | 239 |
| F | Through Mode | All Modes Set this value when using the terminal in the pass-through mode. | 239 |
| 10 | Forward Torque Limit | V/f V/f w/PG OLV CLV OLV/PM AOLV/PM CLV/PM 10 V = Motor rated torque | 239 |
| 11 | Reverse Torque Limit | V/f V/f w/PG OLV CLV OLV/PM AOLV/PM CLV/PM 10 V = Motor rated torque | 239 |
| 12 | Regenerative Torque Limit | V/f V/f w/PG OLV CLV OLV/PM AOLV/PM CLV/PM 10 V = Motor rated torque | 239 |
| 13 | Torque Reference/Torque Limit | V/f V/f w/PG OLV CLV OLV/PM AOLV/PM CLV/PM 10 V = Motor rated torque | 239 |
| 14 | Torque Compensation | V/f V/f w/PG OLV CLV OLV/PM AOLV/PM CLV/PM 10 V = Motor rated torque | 239 |
| 15 | General Torque Limit | V/f V/f w/PG OLV CLV OLV/PM AOLV/PM CLV/PM 10 V = Motor rated torque | 239 |

B.3 Parameter Table

| H3 Multi-Function Analog Input Settings | | | |
|---|----------------------------------|--|------|
| H3-□□ Setting | Function | Description | Page |
| 16 | Differential PID Feedback | All Modes 10 V = 100% | 239 |
| 1F | Through Mode | All Modes Set this value when using the terminal in the pass-through mode. | 239 |
| 30 to 32 | DriveWorksEZ Analog Input 1 to 3 | All Modes Output is determined by the function selected using DWEZ. | 239 |

■ H4: Multi-Function Analog Outputs

| No.(Addr.) | Name | Description | Setting | Page |
|--|---|---|--|------|
| H4-01 (41DH) | Multi-Function Analog Output Terminal FM Monitor Selection | All Modes Selects the data to be output through multi-function analog output terminal FM. Set the desired monitor parameter to the digits available in U□-□□. For example, enter "103" for U1-03. | Default: 102 Min: 000 Max: 999 | 239 |
| H4-02 (41EH)  | Multi-Function Analog Output Terminal FM Gain | All Modes Sets the signal level at terminal FM that is equal to 100% of the selected monitor value. | Default: 100.0% Min: -999.9% Max: 999.9% | 240 |
| H4-03 (41FH)  | Multi-Function Analog Output Terminal FM Bias | All Modes Sets the signal level at terminal FM that is equal to 0% of the selected monitor value. | Default: 0.0% Min: -999.9% Max: 999.9% | 240 |
| H4-04 (420H) | Multi-Function Analog Output Terminal AM Monitor Selection | All Modes Selects the data to be output through multi-function analog output terminal AM. Set the desired monitor parameter to the digits available in U□-□□. For example, enter "103" for U1-03. | Default: 103 Min: 000 Max: 999 | 239 |
| H4-05 (421H)  | Multi-Function Analog Output Terminal AM Gain | All Modes Sets the signal level at terminal AM that is equal to 100% of the selected monitor value. | Default: 50.0% Min: -999.9% Max: 999.9% | 240 |
| H4-06 (422H)  | Multi-Function Analog Output Terminal AM Bias | All Modes Sets the signal level at terminal AM that is equal to 0% of the selected monitor value. | Default: 0.0% Min: -999.9% Max: 999.9% | 240 |
| H4-07 (423H) | Multi-Function Analog Output Terminal FM Signal Level Selection | All Modes 0: 0 to 10 V 1: -10 to 10 V 2: 4 to 20 mA | Default: 0 Min: 0 Max: 1 | 241 |
| H4-08 (424H) | Multi-Function Analog Output Terminal AM Signal Level Selection | All Modes 0: 0 to 10 V 1: -10 to 10 V 2: 4 to 20 mA | Default: 0 Min: 0 Max: 1 | 241 |






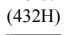
■ H5: MEMOBUS/Modbus Serial Communication

| No.(Addr.) | Name | Description | Setting | Page |
|-------------------------|--------------------------------|--|-----------------------------------|------|
| H5-01 (425H) <32> | Drive Node Address | All Modes Selects drive station node number (address) for MEMOBUS/Modbus terminals R+, R-, S+, S-. Cycle power for the setting to take effect. | Default: 1F Min: 0 Max: FFH | 482 |
| H5-02 (426H) | Communication Speed Selection | All Modes 0: 1200 bps 1: 2400 bps 2: 4800 bps 3: 9600 bps 4: 19200 bps 5: 38400 bps 6: 57600 bps 7: 76800 bps 8: 115200 bps Cycle power for the setting to take effect. | Default: 3 Min: 0 Max: 8 | 482 |
| H5-03 (427H) | Communication Parity Selection | All Modes 0: No parity 1: Even parity 2: Odd parity Cycle power for the setting to take effect. | Default: 0 Min: 0 Max: 2 | 482 |

| No.(Addr.) | Name | Description | Setting | Page |
|-----------------|--|--|---|------|
| H5-04 (428H) | Stopping Method After Communication Error (CE) | All Modes 0: Ramp to stop 1: Coast to stop 2: Fast Stop 3: Alarm only | Default: 0 Min: 0 Max: 3 | 482 |
| H5-05 (429H) | Communication Fault Detection Selection | All Modes 0: Disabled 1: Enabled. If communication is lost for more than two seconds, a CE fault will occur. | Default: 0 Min: 0 Max: 1 | 482 |
| H5-06 (42AH) | Drive Transmit Wait Time | All Modes Set the wait time between receiving and sending data. | Default: 5 ms Min: 5 ms Max: 65 ms | 483 |
| H5-07 (42BH) | RTS Control Selection | All Modes 0: Disabled. RTS is always on. 1: Enabled. RTS turns on only when sending. | Default: 1 Min: 0 Max: 1 | 483 |
| H5-09 (435H) | CE Detection Time | All Modes Sets the time required to detect a communications error. Adjustment may be needed when networking several drives. | Default: 2.0 s Min: 0.0 s Max: 10.0 s | 483 |
| H5-10 (436H) | Unit Selection for MEMOBUS/Modbus Register 0025H | All Modes 0: 0.1 V units 1: 1 V units | Default: 0 Min: 0 Max: 1 | 483 |
| H5-11 (43CH) | Communications ENTER Function Selection | All Modes 0: Drive requires an Enter command before accepting any changes to parameter settings. 1: Parameter changes are activated immediately without the Enter command (same as V7). | Default: 1 Min: 0 Max: 1 | 483 |
| H5-12 (43DH) | Run Command Method Selection | All Modes 0: FWD/Stop, REV/Stop 1: Run/Stop, FWD/REV | Default: 0 Min: 0 Max: 1 | 484 |

<32> If this parameter is set to 0, the drive will be unable to respond to MEMOBUS/Modbus commands.

■ H6: Pulse Train Input/Output

| No.(Addr.) | Name | Description | Setting | Page |
|--|--|--|---|------|
| H6-01 (42CH) | Pulse Train Input Terminal RP Function Selection | All Modes 0: Frequency reference 1: PID feedback value 2: PID setpoint value 3: V/f Control with Simple PG feedback (possible only when using motor 1 in V/f Control) | Default: 0 Min: 0 Max: 3 | 241 |
| H6-02 (42DH)  | Pulse Train Input Scaling | All Modes Sets the terminal RP input signal frequency that is equal to 100% of the value selected in H6-01. | Default: 1440 Hz Min: 1000 Hz Max: 32000 Hz | 242 |
| H6-03 (42EH)  | Pulse Train Input Gain | All Modes Sets the level of the value selected in H6-01 when a frequency with the value set in H6-02 is input. | Default: 100.0% Min: 0.0% Max: 1000.0% | 243 |
| H6-04 (42FH)  | Pulse Train Input Bias | All Modes Sets the level of the value selected in H6-01 when 0 Hz is input. | Default: 0.0% Min: -100.0% Max: 100.0% | 243 |
| H6-05 (430H)  | Pulse Train Input Filter Time | All Modes Sets the pulse train input filter time constant. | Default: 0.10 s Min: 0.00 s Max: 2.00 s | 243 |
| H6-06 (431H)  | Pulse Train Monitor Selection | All Modes Select the pulse train monitor output function (value of the □-□□ part of U□-□□). Example: To select U5-01, set "501". | Default: 102 Min: 000 Max: 809 | 243 |
| H6-07 (432H)  | Pulse Train Monitor Scaling | All Modes Sets the terminal MP output signal frequency when the monitor value is 100%. To have the pulse train monitor output equal the output frequency, set H6-06 to 2 and H6-07 to 0. | Default: 1440 Hz Min: 0 Hz Max: 32000 Hz | 243 |
| H6-08 (43FH) | Pulse Train Input Minimum Frequency | All Modes Sets the minimum frequency for the pulse train input to be detected. Enabled when H6-01 = 0, 1, or 2. | Default: 0.5 Hz Min: 0.1 Hz Max: 1000.0 Hz | 243 |

B.3 Parameter Table

◆ L: Protection Function

L parameters provide protection to the drive and motor, such as: control during momentary power loss, Stall Prevention, frequency detection, fault restarts, overtorque detection, torque limits, and other types of hardware protection.

■ L1: Motor Protection

| No. (Addr.) | Name | Description | Setting | Page |
|-----------------|--|---|--|------|
| L1-01 (480H) | Motor Overload Protection Selection | <p>All Modes</p> <p>0: Disabled 1: General purpose motor (standard fan cooled) 2: Drive dedicated motor with a speed range of 1:10 3: Vector motor with a speed range of 1:100 4: PM motor with variable torque 5: PM motor with constant torque control 6: General purpose motor (50 Hz)</p> <p>The drive may not be able to provide protection when multiple motors are used, even if overload is enabled in L1-01. Set L1-01 to 0 and install separate thermal relay to each motor.</p> | Default: <10> Min: 0 Max: 6 | 244 |
| L1-02 (481H) | Motor Overload Protection Time | <p>All Modes</p> <p>Sets the motor thermal overload protection (oL1) time.</p> | Default: 1.0 min Min: 0.1 min Max: 5.0 min | 246 |
| L1-03 (482H) | Motor Overheat Alarm Operation Selection (PTC input) | <p>All Modes</p> <p>Sets operation when the motor temperature analog input (H3-02, H3-06, or H3-10 = E) exceeds the oH3 alarm level.</p> <p>0: Ramp to stop 1: Coast to stop 2: Fast Stop (decelerate to stop using the deceleration time in C1-09) 3: Alarm only ("oH3" will flash)</p> | Default: 3 Min: 0 Max: 3 | 248 |
| L1-04 (483H) | Motor Overheat Fault Operation Selection (PTC input) | <p>All Modes</p> <p>Sets stopping method when the motor temperature analog input (H3-02, H3-06, or H3-10 = E) exceeds the oH4 fault level.</p> <p>0: Ramp to stop 1: Coast to stop 2: Fast Stop (decelerate to stop using the deceleration time in C1-09)</p> | Default: 1 Min: 0 Max: 2 | 248 |
| L1-05 (484H) | Motor Temperature Input Filter Time (PTC input) | <p>All Modes</p> <p>Adjusts the filter for the motor temperature analog input (H3-02, H3-06, or H3-10 = E).</p> | Default: 0.20 s Min: 0.00 s Max: 10.00 s | 248 |
| L1-13 (46DH) | Continuous Electrothermal Operation Selection | <p>All Modes</p> <p>0: Disabled 1: Enabled</p> | Default: 1 Min: 0 Max: 1 | 248 |

<10> Default setting is determined by the control mode (A1-02).

■ L2: Momentary Power Loss Ride-Thru

| No. (Addr.) | Name | Description | Setting | Page |
|-----------------|---|---|---|------|
| L2-01 (485H) | Momentary Power Loss Operation Selection | <p>All Modes</p> <p>0: Disabled. Drive trips on (Uv1) fault when power is lost. 1: Recover within the time set in L2-02. Uv1 will be detected if power loss is longer than L2-02. 2: Recover as long as CPU has power. Uv1 is not detected. 3: KEB deceleration for the time set to L2-02. 4: KEB deceleration as long as CPU has power. 5: KEB deceleration to stop.</p> | Default: 0 Min: 0 Max: 5 | 249 |
| L2-02 (486H) | Momentary Power Loss Ride-Thru Time | <p>All Modes</p> <p>Sets the Power Loss Ride-Thru time. Enabled only when L2-01 = 1 or 3.</p> | Default: <9> Min: 0.0 s Max: 25.5 s | 254 |
| L2-03 (487H) | Momentary Power Loss Minimum Baseblock Time | <p>All Modes</p> <p>Sets the minimum wait time for residual motor voltage decay before the drive output reenergizes after performing Power Loss Ride-Thru. Increasing the time set to L2-03 may help if overcurrent or overvoltage occur during Speed Search or during DC Injection Braking.</p> | Default: <9> Min: 0.1 s Max: 5.0 s | 254 |
| L2-04 (488H) | Momentary Power Loss Voltage Recovery Ramp Time | <p>V/f V/f w/PG OLV CLV OLV/PM AOLV/PM CLV/PM</p> <p>Sets the time for the output voltage to return to the preset V/f pattern during Speed Search.</p> | Default: <9> Min: 0.0 s Max: 5.0 s | 254 |
| L2-05 (489H) | Undervoltage Detection Level (Uv) | <p>All Modes</p> <p>Sets the DC bus undervoltage trip level.</p> | Default: <18> <33> Min: 150 Vdc Max: 210 Vdc <18> | 254 |
| L2-06 (48AH) | KEB Deceleration Time | <p>All Modes</p> <p>Sets the time required to decelerate from the speed when KEB was activated to zero speed.</p> | Default: 0.00 s Min: 0.00 s Max: 6000.0 s <12> | 254 |
| L2-07 (48BH) | KEB Acceleration Time | <p>All Modes</p> <p>Sets the time to accelerate to the frequency reference when momentary power loss is over. If set to 0.0, the active acceleration time is used.</p> | Default: 0.00 s Min: 0.00 s Max: 6000.0 s <12> | 254 |

| No. (Addr.) | Name | Description | Setting | Page |
|-----------------|---------------------------------------|---|---|------|
| L2-08 (48CH) | Frequency Gain at KEB Start | <p>V/f V/f w/PG OLV CLV</p> <p>OLV/PM AOLV/PM CLV/PM</p> <p>Sets the percentage of output frequency reduction at the beginning of deceleration when the KEB Ride-Thru function is started. Reduction = (slip frequency before KEB) × L2-08 × 2</p> | Default: 100% Min: 0% Max: 300% | 255 |
| L2-10 (48EH) | KEB Detection Time (Minimum KEB Time) | <p>All Modes</p> <p>Sets the time to perform KEB Ride-Thru.</p> | Default: 50 ms Min: 0 ms Max: 2000 ms | 255 |
| L2-11 (46IH) | DC Bus Voltage Setpoint during KEB | <p>All Modes</p> <p>Sets the desired value of the DC bus voltage during KEB Ride-Thru.</p> | Default: <18> <33> [E1-01] × 1.22 Min: 150 Vdc Max: 400 Vdc <18> | 255 |
| L2-29 (475H) | KEB Method Selection | <p>All Modes</p> <p>0: Single Drive KEB Ride-Thru 1 1: Single Drive KEB Ride-Thru 2 2: System KEB Ride-Thru 1 3: System KEB Ride-Thru 2</p> | Default: 0 Min: 0 Max: 3 | 255 |

<9> Default setting is determined by the drive model (o2-04) and duty selection (C6-01).

<12> Setting range value is dependent on the units selected for the accel/decel time (C1-10). When C1-10 = 0 (units of 0.01 s), the setting range becomes 0.00 to 600.00 s.

<18> Values shown here are for 200 V class drives. Double the value when using a 400 V class drive.

<33> Default setting value is dependent on the setting for the input voltage (E1-01).

■ L3: Stall Prevention

| No. (Addr.) | Name | Description | Setting | Page |
|-------------------------|--|--|--|------|
| L3-01 (48FH) | Stall Prevention Selection during Acceleration | <p>V/f V/f w/PG OLV CLV</p> <p>OLV/PM AOLV/PM CLV/PM</p> <p>0: Disabled. 1: General purpose. Acceleration is paused as long as the current is above the L3-02 setting. 2: Intelligent. Accelerate in the shortest possible time without exceeding the L3-02 level. Note: Setting 2 is not available when using OLV/PM.</p> | Default: 1 Min: 0 Max: 2 | 256 |
| L3-02 (490H) | Stall Prevention Level during Acceleration | <p>V/f V/f w/PG OLV CLV</p> <p>OLV/PM AOLV/PM CLV/PM</p> <p>Used when L3-01 = 1 or 2. 100% is equal to the drive rated current.</p> | Default: <35> Min: 0% Max: 150% <35> | 257 |
| L3-03 (491H) | Stall Prevention Limit during Acceleration | <p>V/f V/f w/PG OLV CLV</p> <p>OLV/PM AOLV/PM CLV/PM</p> <p>Sets Stall Prevention lower limit during acceleration when operating in the constant power range. Set as a percentage of the drive's rated current.</p> | Default: 50% Min: 0% Max: 100% | 257 |
| L3-04 (492H) | Stall Prevention Selection during Deceleration | <p>All Modes</p> <p>0: Disabled. Deceleration at the active deceleration rate. An ov fault may occur. 1: General purpose. Deceleration is paused when the DC bus voltage exceeds the Stall Prevention level. 2: Intelligent. Decelerate as fast as possible while avoiding ov faults. 3: Stall Prevention with braking resistor. Stall Prevention during deceleration is enabled in coordination with dynamic braking. 4: Overexcitation Deceleration. Decelerates while increasing the motor flux. 5: Overexcitation Deceleration 2. Adjust the deceleration rate according to the DC bus voltage.</p> | Default: 1 Min: 0 Max: 5 <34> | 258 |
| L3-05 (493H) | Stall Prevention Selection during Run | <p>V/f V/f w/PG OLV CLV</p> <p>OLV/PM AOLV/PM CLV/PM</p> <p>0: Disabled. Drive runs at a set frequency. A heavy load may cause speed loss. 1: Decel time 1. Uses the deceleration time set to C1-02 while Stall Prevention is performed. 2: Decel time 2. Uses the deceleration time set to C1-04 while Stall Prevention is performed.</p> | Default: 1 Min: 0 Max: 2 | 259 |
| L3-06 (494H) | Stall Prevention Level during Run | <p>V/f V/f w/PG OLV CLV</p> <p>OLV/PM AOLV/PM CLV/PM</p> <p>Enabled when L3-05 is set to 1 or 2. 100% is equal to the drive rated current.</p> | Default: <35> Min: 30% Max: 150% <35> | 259 |
| L3-11 (4C7H) | Overvoltage Suppression Function Selection | <p>All Modes</p> <p>Enables or disables the ov suppression function, which allows the drive to change the output frequency as the load changes to prevent an ov fault. 0: Disabled 1: Enabled</p> | Default: 0 Min: 0 Max: 1 | 260 |
| L3-17 (462H) <18> | Target DC Bus Voltage for Overvoltage Suppression and Stall Prevention | <p>All Modes</p> <p>Sets the desired value for the DC bus voltage during overvoltage suppression and Stall Prevention during deceleration.</p> | Default: 370 Vdc <33> Min: 150 Vdc Max: 400 Vdc <33> | 260 |
| L3-20 (465H) | DC Bus Voltage Adjustment Gain | <p>All Modes</p> <p>Sets the proportional gain for KEB Ride-Thru, Stall Prevention, and overvoltage suppression.</p> | Default: <10> Min: 0.00 Max: 5.00 | 260 |

B.3 Parameter Table

| No. (Addr.) | Name | Description | Setting | Page |
|-----------------|---|---|--|------|
| L3-21 (466H) | Accel/Decel Rate Calculation Gain | All Modes Sets the proportional gain used to calculate the deceleration rate during KEB Ride-Thru, ov suppression function, and Stall Prevention during deceleration (L3-04 = 2). | Default: 1.00 Min: 0.10 Max: 10.00 | 261 |
| L3-22 (4F9H) | Deceleration Time at Stall Prevention during Acceleration | V/f V/f w/PG OLV CLV OLV/PM AOLV/PM CLV/PM Sets the deceleration time used for Stall Prevention during acceleration in OLV/PM. | Default: 0.0 s Min: 0.0 s Max: 6000 s | 257 |
| L3-23 (4FDH) | Automatic Reduction Selection for Stall Prevention during Run | V/f V/f w/PG OLV CLV OLV/PM AOLV/PM CLV/PM 0: Sets the Stall Prevention level set in L3-06 that is used throughout the entire frequency range. 1: Automatic Stall Prevention level reduction in the constant output range. The lower limit value is 40% of L3-06. | Default: 0 Min: 0 Max: 1 | 259 |
| L3-24 (46EH) | Motor Acceleration Time for Inertia Calculations | V/f V/f w/PG OLV CLV OLV/PM AOLV/PM CLV/PM Sets the time needed to accelerate the uncoupled motor at rated torque from stop to the maximum frequency. | Default: <8> <9> <14> Min: 0.001 s Max: 10.000 s | 261 |
| L3-25 (46FH) | Load Inertia Ratio | V/f V/f w/PG OLV CLV OLV/PM AOLV/PM CLV/PM Sets the ratio between the motor and machine inertia. | Default: 1.0 Min: 1.0 Max: 1000.0 | 261 |
| L3-26 (455H) | Additional DC Bus Capacitors | All Modes When DC bus capacitors have been added externally, be sure to add those values to the internal capacitor table for proper DC bus calculations. | Default: 0 μ F Min: 0 μ F Max: 65000 μ F | 262 |
| L3-27 (456H) | Stall Prevention Detection Time | V/f V/f w/PG OLV CLV OLV/PM AOLV/PM CLV/PM Sets the time the current must exceed the Stall Prevention level to activate Stall Prevention. | Default: 50 ms Min: 0 ms Max: 5000 ms | 262 |

<8> Parameter value is changed if E2-11 is manually changed or changed by Auto-Tuning.

<9> Default setting is determined by the drive model (o2-04) and duty selection (C6-01).

<10> Default setting is determined by the control mode (A1-02).

<14> Default setting value is dependent on the motor code set to parameter E5-01.

<18> Values shown here are for 200 V class drives. Double the value when using a 400 V class drive.

<33> Default setting value is dependent on the setting for the input voltage (E1-01).

<34> Setting range is dependent on the control mode (A1-02). When using CLV, OLV/PM, or AOLV/PM, the setting range is 0 to 2 s.

<35> The upper limit of the setting range is determined by the values set to the duty selection (C6-01) and the carrier frequency reduction selection (L8-38).

■ L4: Speed Detection

| No. (Addr.) | Name | Description | Setting | Page |
|-----------------|--|---|--|------|
| L4-01 (499H) | Speed Agreement Detection Level | All Modes | Default: 0.0 Hz Min: 0.0 Hz Max: 400.0 Hz | 262 |
| L4-02 (49AH) | Speed Agreement Detection Width | L4-01 sets the frequency detection level for digital output functions H2-□□ = 2, 3, 4, 5. L4-02 sets the hysteresis or allowable margin for speed detection. | Default: <10> Min: 0.0 Hz Max: 20.0 Hz | 262 |
| L4-03 (49BH) | Speed Agreement Detection Level (+/-) | All Modes | Default: 0.0 Hz Min: -400.0 Hz Max: 400.0 Hz | 262 |
| L4-04 (49CH) | Speed Agreement Detection Width (+/-) | L4-03 sets the frequency detection level for digital output functions H2-□□ = 13, 14, 15, 16. L4-04 sets the hysteresis or allowable margin for speed detection. | Default: <10> Min: 0.0 Hz Max: 20.0 Hz | 262 |
| L4-05 (49DH) | Frequency Reference Loss Detection Selection | All Modes 0: Stop. Drive stops when the frequency reference is lost. 1: Run. Drive runs at a reduced speed when the frequency reference is lost. | Default: 0 Min: 0 Max: 1 | 262 |
| L4-06 (4C2H) | Frequency Reference at Reference Loss | All Modes Sets the percentage of the frequency reference that the drive should run with when the frequency reference is lost. | Default: 80% Min: 0.0% Max: 100.0% | 263 |
| L4-07 (470H) | Speed Agreement Detection Selection | All Modes 0: No detection during baseblock. 1: Detection always enabled. | Default: 0 Min: 0 Max: 1 | 263 |

<10> Default setting is determined by the control mode (A1-02).

■ L5: Fault Restart

| No. (Addr.) | Name | Description | Setting | Page |
|-----------------|---|--|---|------|
| L5-01 (49EH) | Number of Auto Restart Attempts | All Modes Sets the number of times the drive may attempt to restart after the following faults occur: GF, LF, oC, ov, PF, rH, rr, oL1, oL2, oL3, oL4, STo, Uv1. | Default: 0 Min: 0 Max: 10 | 264 |
| L5-02 (49FH) | Auto Restart Fault Output Operation Selection | All Modes 0: Fault output not active. 1: Fault output active during restart attempt. | Default: 0 Min: 0 Max: 1 | 264 |
| L5-04 (46CH) | Fault Reset Interval Time | All Modes Sets the amount of time to wait between performing fault restarts. | Default: 10.0 s Min: 0.5 s Max: 600.0 s | 264 |
| L5-05 (467H) | Fault Reset Operation Selection | All Modes 0: Continuously attempt to restart while incrementing restart counter only at a successful restarts (same as F7 and G7). 1: Attempt to restart with the interval time set in L5-04 and increment the restart counter with each attempt (same V7). | Default: 0 Min: 0 Max: 1 | 264 |

■ L6: Torque Detection

| No. (Addr.) | Name | Description | Setting | Page |
|-----------------|--|---|--|------|
| L6-01 (4A1H) | Torque Detection Selection 1 | All Modes 0: Disabled 1: oL3 detection only active during speed agree, operation continues after detection 2: oL3 detection always active during run, operation continues after detection 3: oL3 detection only active during speed agree, output shuts down on an oL3 fault 4: oL3 detection always active during run, output shuts down on an oL3 fault 5: UL3 detection only active during speed agree, operation continues after detection 6: UL3 detection always active during run, operation continues after detection 7: UL3 detection only active during speed agree, output shuts down on an oL3 fault 8: UL3 detection always active during run, output shuts down on an oL3 fault | Default: 0 Min: 0 Max: 8 | 265 |
| L6-02 (4A2H) | Torque Detection Level 1 | All Modes Sets the overtorque and undertorque detection level. | Default: 150% Min: 0% Max: 300% | 266 |
| L6-03 (4A3H) | Torque Detection Time 1 | All Modes Sets the time an overtorque or undertorque condition must exist to trigger torque detection 1. | Default: 0.1 s Min: 0.0 s Max: 10.0 s | 266 |
| L6-04 (4A4H) | Torque Detection Selection 2 | All Modes 0: Disabled 1: oL4 detection only active during speed agree, operation continues after detection 2: oL4 detection always active during run, operation continues after detection 3: oL4 detection only active during speed agree, output shuts down on an oL4 fault 4: oL4 detection always active during run, output shuts down on an oL4 fault 5: UL4 detection only active during speed agree, operation continues after detection 6: UL4 detection always active during run, operation continues after detection 7: UL4 detection only active during speed agree, output shuts down on an oL4 fault 8: UL4 detection always active during run, output shuts down on an oL4 fault | Default: 0 Min: 0 Max: 8 | 265 |
| L6-05 (4A5H) | Torque Detection Level 2 | All Modes Sets the overtorque and undertorque detection level. | Default: 150% Min: 0% Max: 300% | 266 |
| L6-06 (4A6H) | Torque Detection Time 2 | All Modes Sets the time an overtorque or undertorque condition must exist to trigger torque detection 2. | Default: 0.1 s Min: 0.0 s Max: 10.0 s | 266 |
| L6-08 (468H) | Mechanical Weakening Detection Operation | All Modes This function can detect an overtorque or undertorque in a certain speed range as a result of machine fatigue. It is triggered by a specified operation time and uses the oL1 detection settings (L6-01 and L6-03) 0: Mechanical Weakening Detection disabled. 1: Continue running (alarm only). Detected when the speed (signed) is greater than L6-09. 2: Continue running (alarm only). Detected when the speed (not signed) is greater than L6-09. 3: Interrupt drive output (fault). Detected when the speed (signed) is greater than L6-09. 4: Interrupt drive output (fault). Detected when the speed (not signed) is greater than L6-09. 5: Continue running (alarm only). Detected when the speed (signed) is less than L6-09. 6: Continue running (alarm only). Detected when the speed (not signed) is less than L6-09. 7: Interrupt drive output (fault). Detected when the speed (signed) is less than L6-09. 8: Interrupt drive output (fault). Detected when the speed (not signed) is less than L6-09. | Default: 0 Min: 0 Max: 8 | 266 |
| L6-09 (469H) | Mechanical Weakening Detection Speed Level | All Modes Sets the speed that triggers Mechanical Weakening Detection. When L6-08 is set for an unsigned value, the absolute value is used if the setting is negative. | Default: 110.0% Min: -110.0% Max: 110.0% | 267 |
| L6-10 (46AH) | Mechanical Weakening Detection Time | All Modes Sets the time mechanical weakening has to be detected before an alarm or fault is triggered. | Default: 0.1 s Min: 0.0 s Max: 10.0 s | 267 |
| L6-11 (46BH) | Mechanical Weakening Detection Start Time | All Modes Sets the operation time (U1-04) required before Mechanical Weakening Detection is active. | Default: 0 Min: 0 Max: 65535 | 267 |

B.3 Parameter Table

■ L7: Torque Limit

| No. (Addr.) | Name | Description | Setting | Page |
|-----------------|--|---|--|---|
| L7-01 (4A7H) | Forward Torque Limit | <div style="display: flex; justify-content: space-around; align-items: center;"> V/f V/f w/PG OLV CLV </div> <div style="display: flex; justify-content: space-around; align-items: center;"> OLV/PM AOLV/PM CLV/PM </div> <p>Sets the torque limit value as a percentage of the motor rated torque. Four individual quadrants can be set.</p> | Default: 200% Min: 0% Max: 300% | 268 |
| L7-02 (4A8H) | Reverse Torque Limit | | Default: 200% Min: 0% Max: 300% | 268 |
| L7-03 (4A9H) | Forward Regenerative Torque Limit | | Default: 200% Min: 0% Max: 300% | 268 |
| L7-04 (4AAH) | Reverse Regenerative Torque Limit | | Default: 200% Min: 0% Max: 300% | 268 |
| L7-06 (4ACH) | Torque Limit Integral Time Constant | | <div style="display: flex; justify-content: space-around; align-items: center;"> V/f V/f w/PG OLV CLV </div> <div style="display: flex; justify-content: space-around; align-items: center;"> OLV/PM AOLV/PM CLV/PM </div> <p>Sets the integral time constant for the torque limit.</p> | Default: 200 ms Min: 5 ms Max: 10000 ms |
| L7-07 (4C9H) | Torque Limit Control Method Selection during Accel/Decel | <div style="display: flex; justify-content: space-around; align-items: center;"> V/f V/f w/PG OLV CLV </div> <div style="display: flex; justify-content: space-around; align-items: center;"> OLV/PM AOLV/PM CLV/PM </div> <p>0: Proportional control (changes to integral control at constant speed). Use this setting when acceleration to the desired speed should take precedence over the torque limit. 1: Integral control. Set L7-07 to 1 if the torque limit should take precedence.</p> | Default: 0 Min: 0 Max: 1 | 268 |

■ L8: Drive Protection

| No. (Addr.) | Name | Description | Setting | Page |
|-----------------|---|---|--|------|
| L8-01 (4ADH) | Internal Dynamic Braking Resistor Protection Selection (ERF type) | <div style="display: flex; justify-content: space-around; align-items: center;"> All Modes </div> <p>0: Resistor overheat protection disabled 1: Resistor overheat protection enabled</p> | Default: 0 Min: 0 Max: 1 | 269 |
| L8-02 (4AEH) | Overheat Alarm Level | <div style="display: flex; justify-content: space-around; align-items: center;"> All Modes </div> <p>An overheat alarm will occur if the heatsink temperature exceeds the level set in L8-02.</p> | Default: <9> Min: 50°C Max: 130°C | 269 |
| L8-03 (4AFH) | Overheat Pre-Alarm Operation Selection | <div style="display: flex; justify-content: space-around; align-items: center;"> All Modes </div> <p>0: Ramp to stop. A fault is triggered. 1: Coast to stop. A fault is triggered. 2: Fast Stop. Decelerate to stop using the deceleration time in C1-09. A fault is triggered. 3: Continue operation. An alarm is triggered. 4: Continue operation at reduced speed as set in L8-19.</p> | Default: 3 Min: 0 Max: 4 | 269 |
| L8-05 (4B1H) | Input Phase Loss Protection Selection | <div style="display: flex; justify-content: space-around; align-items: center;"> All Modes </div> <p>Selects the detection of input current phase loss, power supply voltage imbalance, or main circuit electrolytic capacitor deterioration. 0: Disabled 1: Enabled</p> | Default: 1 Min: 0 Max: 1 | 270 |
| L8-07 (4B3H) | Output Phase Loss Protection Selection | <div style="display: flex; justify-content: space-around; align-items: center;"> All Modes </div> <p>0: Disabled 1: Enabled (triggered by a single phase loss) 2: Enabled (triggered when two phases are lost)</p> | Default: 0 Min: 0 Max: 2 | 270 |
| L8-09 (4B5H) | Output Ground Fault Detection Selection | <div style="display: flex; justify-content: space-around; align-items: center;"> All Modes </div> <p>0: Disabled 1: Enabled</p> | Default: <9> Min: 0 Max: 1 | 271 |
| L8-10 (4B6H) | Heatsink Cooling Fan Operation Selection | <div style="display: flex; justify-content: space-around; align-items: center;"> All Modes </div> <p>0: During run only. Fan operates only during run and for L8-11 seconds after stop. 1: Fan always on. Cooling fan operates whenever the drive is powered up.</p> | Default: 0 Min: 0 Max: 1 | 271 |
| L8-11 (4B7H) | Heatsink Cooling Fan Off Delay Time | <div style="display: flex; justify-content: space-around; align-items: center;"> All Modes </div> <p>Sets a delay time to shut off the cooling fan after the Run command is removed when L8-10 = 0.</p> | Default: 60 s Min: 0 s Max: 300 s | 271 |
| L8-12 (4B8H) | Ambient Temperature Setting | <div style="display: flex; justify-content: space-around; align-items: center;"> All Modes </div> <p>Enter the ambient temperature. This value adjusts the oL2 detection level.</p> | Default: 40°C Min: -10°C Max: 50°C | 271 |
| L8-15 (4BBH) | oL2 Characteristics Selection at Low Speeds | <div style="display: flex; justify-content: space-around; align-items: center;"> All Modes </div> <p>0: No oL2 level reduction below 6 Hz. 1: oL2 level is reduced linearly below 6 Hz. It is halved at 0 Hz.</p> | Default: 1 Min: 0 Max: 1 | 272 |

| No. (Addr.) | Name | Description | Setting | Page |
|-----------------|--|--|---|------|
| L8-18 (4BEH) | Software Current Limit Selection | <p>V/f V/f w/PG OLV CLV</p> <p>OLV/PM AOLV/PM CLV/PM</p> <p>0: Disabled 1: Enabled</p> | Default: 0 Min: 0 Max: 1 | 272 |
| L8-19 (4BFH) | Frequency Reduction Rate during Overheat Pre-Alarm | <p>All Modes</p> <p>Specifies the frequency reference reduction gain at overheat pre-alarm when L8-03 = 4.</p> | Default: 0.8 Min: 0.1 Max: 0.9 | 270 |
| L8-27 (4DDH) | Overcurrent Detection Gain | <p>V/f V/f w/PG OLV CLV</p> <p>OLV/PM AOLV/PM CLV/PM</p> <p>Sets the gain for overcurrent detection as a percentage of the motor rated current. Overcurrent is detected using the drive's overcurrent level or the value set to L8-27, whichever is lower.</p> | Default: 300.0% Min: 0.0% Max: 300.0% | 272 |
| L8-29 (4DFH) | Current Unbalance Detection (LF2) | <p>V/f V/f w/PG OLV CLV</p> <p>OLV/PM AOLV/PM CLV/PM</p> <p>0: Disabled 1: Enabled</p> | Default: 1 Min: 0 Max: 1 | 272 |
| L8-35 (4ECH) | Installation Method Selection | <p>All Modes</p> <p>0: IP00 enclosure drive 1: Side-by-Side mounting 2: NEMA Type 1 enclosure 3: Finless model drive or external heatsink installation</p> | Default: <3> Min: 0 Max: 3 | 273 |
| L8-38 (4EFH) | Carrier Frequency Reduction Selection | <p>V/f V/f w/PG OLV CLV</p> <p>OLV/PM AOLV/PM CLV/PM</p> <p>0: Disabled 1: Enabled below 6 Hz 2: Enabled for the entire speed range</p> | Default: <16> Min: 0 Max: 2 | 273 |
| L8-40 (4F1H) | Carrier Frequency Reduction Off-Delay Time | <p>V/f V/f w/PG OLV CLV</p> <p>OLV/PM AOLV/PM CLV/PM</p> <p>Sets the time that the drive continues running with reduced carrier frequency after the carrier reduction condition is gone. Setting 0.00 s disables the carrier frequency reduction time.</p> | Default: <10> Min: 0.00 s Max: 2.00 s | 273 |
| L8-41 (4F2H) | High Current Alarm Selection | <p>All Modes</p> <p>0: Disabled 1: Enabled. An alarm is triggered at output currents above 150% of the drives rated current.</p> | Default: 0 Min: 0 Max: 1 | 273 |
| L8-55 (45FH) | Internal Braking Transistor Protection | <p>All Modes</p> <p>0: Disabled. L8-55 should be disabled when using a regen converter or an optional braking unit. 1: Protection enabled.</p> | Default: 1 Min: 0 Max: 1 | 274 |

<3> Parameter setting value is not reset to the default value when the drive is initialized.
 <9> Default setting is determined by the drive model (o2-04) and duty selection (C6-01).
 <10> Default setting is determined by the control mode (A1-02).
 <16> Default setting is determined by the control mode (A1-02) and the drive model (o2-04).

◆ n: Special Adjustment

The n parameters are used to adjust more advanced performance characteristics such as Hunting Prevention, speed feedback detection, High Slip Braking, and Online Tuning for motor line-to-line resistance.

■ n1: Hunting Prevention

| No. (Addr.) | Name | Description | Setting | Page |
|-------------------------------|----------------------------------|---|--|------|
| n1: Hunting Prevention | | | | |
| n1-01 (580H) | Hunting Prevention Selection | <p>V/f V/f w/PG OLV CLV</p> <p>OLV/PM AOLV/PM CLV/PM</p> <p>0: Disabled 1: Enabled</p> | Default: 1 Min: 0 Max: 1 | 275 |
| n1-02 (581H) | Hunting Prevention Gain Setting | <p>V/f V/f w/PG OLV CLV</p> <p>OLV/PM AOLV/PM CLV/PM</p> <p>If the motor vibrates while lightly loaded, increase the gain by 0.1 until vibration ceases. If the motor stalls, decrease the gain by 0.1 until the stalling ceases.</p> | Default: 1.00 Min: 0.00 Max: 2.50 | 275 |
| n1-03 (582H) | Hunting Prevention Time Constant | <p>V/f V/f w/PG OLV CLV</p> <p>OLV/PM AOLV/PM CLV/PM</p> <p>Sets the time constant used for Hunting Prevention.</p> | Default: <6> Min: 0 ms Max: 500 ms | 275 |

B.3 Parameter Table

| No. (Addr.) | Name | Description | Setting | Page |
|-----------------|--|---|---|------|
| n1-05 (530H) | Hunting Prevention Gain while in Reverse | <p><input type="radio"/> V/f <input type="radio"/> V/f w/PG <input type="radio"/> OLV <input type="radio"/> CLV</p> <p><input type="radio"/> OLV/PM <input type="radio"/> AOLV/PM <input type="radio"/> CLV/PM</p> <p>Sets the gain used for Hunting Prevention. If set to 0, the gain set to n1-02 is used for operation in reverse.</p> | Default: 0.00 Min: 0.00 Max: 2.50 | 275 |

<6> Default setting value varies by the drive model (o2-04).

■ n2: Speed Feedback Detection Control (AFR) Tuning

| No. (Addr.) | Name | Description | Setting | Page |
|-----------------|--|---|--|------|
| n2-01 (584H) | Speed Feedback Detection Control (AFR) Gain | <p><input type="radio"/> V/f <input type="radio"/> V/f w/PG <input checked="" type="radio"/> OLV <input type="radio"/> CLV</p> <p><input type="radio"/> OLV/PM <input type="radio"/> AOLV/PM <input type="radio"/> CLV/PM</p> <p>Sets the internal speed feedback detection control gain in the automatic frequency regulator (AFR). If hunting occurs, increase the set value. If response is low, decrease the set value.</p> | Default: 1.00 Min: 0.00 Max: 10.00 | 276 |
| n2-02 (585H) | Speed Feedback Detection Control (AFR) Time Constant 1 | <p><input type="radio"/> V/f <input type="radio"/> V/f w/PG <input checked="" type="radio"/> OLV <input type="radio"/> CLV</p> <p><input type="radio"/> OLV/PM <input type="radio"/> AOLV/PM <input type="radio"/> CLV/PM</p> <p>Sets the time constant used for speed feedback detection control (AFR).</p> | Default: 50 ms Min: 0 ms Max: 2000 ms | 276 |
| n2-03 (586H) | Speed Feedback Detection Control (AFR) Time Constant 2 | <p><input type="radio"/> V/f <input type="radio"/> V/f w/PG <input checked="" type="radio"/> OLV <input type="radio"/> CLV</p> <p><input type="radio"/> OLV/PM <input type="radio"/> AOLV/PM <input type="radio"/> CLV/PM</p> <p>Sets the AFR time constant to be used during Speed Search and during regen.</p> | Default: 750 ms Min: 0 ms Max: 2000 ms | 276 |

■ n3: High Slip Braking (HSB) and Overexcitation Braking

| No. (Addr.) | Name | Description | Setting | Page |
|-----------------|---|---|---|------|
| n3-01 (588H) | High Slip Braking Deceleration Frequency Width | <p><input type="radio"/> V/f <input type="radio"/> V/f w/PG <input type="radio"/> OLV <input type="radio"/> CLV</p> <p><input type="radio"/> OLV/PM <input type="radio"/> AOLV/PM <input type="radio"/> CLV/PM</p> <p>Sets the output frequency reduction step width for when the drive stops the motor using HSB. Set as a percentage of the maximum output frequency. Increase this setting if overvoltage occurs during HSB.</p> | Default: 5% Min: 1% Max: 20% | 276 |
| n3-02 (589H) | High Slip Braking Current Limit | <p><input type="radio"/> V/f <input type="radio"/> V/f w/PG <input type="radio"/> OLV <input type="radio"/> CLV</p> <p><input type="radio"/> OLV/PM <input type="radio"/> AOLV/PM <input type="radio"/> CLV/PM</p> <p>Sets the current limit during HSB as a percentage of the motor rated current.</p> | Default: <35> Min: 100% Max: 200% | 277 |
| n3-03 (58AH) | High Slip Braking Dwell Time at Stop | <p><input type="radio"/> V/f <input type="radio"/> V/f w/PG <input type="radio"/> OLV <input type="radio"/> CLV</p> <p><input type="radio"/> OLV/PM <input type="radio"/> AOLV/PM <input type="radio"/> CLV/PM</p> <p>Sets the time the drive will run with minimum frequency (E1-09) at the end of deceleration. If this time is set too low, the machine inertia can cause the motor to rotate slightly after HSB.</p> | Default: 1.0 s Min: 0.0 s Max: 10.0 s | 277 |
| n3-04 (58BH) | High-Slip Braking Overload Time | <p><input type="radio"/> V/f <input type="radio"/> V/f w/PG <input type="radio"/> OLV <input type="radio"/> CLV</p> <p><input type="radio"/> OLV/PM <input type="radio"/> AOLV/PM <input type="radio"/> CLV/PM</p> <p>Sets the time required for an HSB overload fault (oL7) to occur when the drive output frequency does not change during an HSB stop. This parameter does not typically require adjustment.</p> | Default: 40 s Min: 30 s Max: 1200 s | 277 |
| n3-13 (531H) | Overexcitation Deceleration Gain | <p><input type="radio"/> V/f <input type="radio"/> V/f w/PG <input type="radio"/> OLV <input checked="" type="radio"/> CLV</p> <p><input type="radio"/> OLV/PM <input type="radio"/> AOLV/PM <input type="radio"/> CLV/PM</p> <p>Sets the gain applied to the V/f pattern during Overexcitation Deceleration (L3-04 = 4).</p> | Default: 1.10 Min: 1.00 Max: 1.40 | 278 |
| n3-14 (532H) | High Frequency Injection during Overexcitation Deceleration | <p><input type="radio"/> V/f <input type="radio"/> V/f w/PG <input type="radio"/> OLV <input type="radio"/> CLV</p> <p><input type="radio"/> OLV/PM <input type="radio"/> AOLV/PM <input type="radio"/> CLV/PM</p> <p>0: Disabled 1: Enabled</p> | Default: 0 Min: 0 Max: 1 | 278 |
| n3-21 (579H) | High-Slip Suppression Current Level | <p><input type="radio"/> V/f <input type="radio"/> V/f w/PG <input type="radio"/> OLV <input checked="" type="radio"/> CLV</p> <p><input type="radio"/> OLV/PM <input type="radio"/> AOLV/PM <input type="radio"/> CLV/PM</p> <p>Sets output current level at which the drive will start reducing the overexcitation gain in order to prevent a too high motor slip during Overexcitation Deceleration. Set as a percentage of the drive rated current.</p> | Default: 100% Min: 0% Max: 150% | 278 |
| n3-23 (57BH) | Overexcitation Operation Selection | <p><input type="radio"/> V/f <input type="radio"/> V/f w/PG <input type="radio"/> OLV <input checked="" type="radio"/> CLV</p> <p><input type="radio"/> OLV/PM <input type="radio"/> AOLV/PM <input type="radio"/> CLV/PM</p> <p>0: Enabled in both directions 1: Enabled only when rotating forward 2: Enabled only when in reverse</p> | Default: 0 Min: 0 Max: 2 | 278 |

<35> The upper limit of the setting range is determined by the values set to duty selection (C6-01) and the carrier frequency reduction selection (L8-38).

■ n5: Feed Forward Control

| No. (Addr.) | Name | Description | Setting | Page |
|-----------------|--------------------------------|--|--|------|
| n5-01 (5B0H) | Feed Forward Control Selection | <div style="display: flex; justify-content: space-between; align-items: center;"> V/f V/f w/PG OLV CLV </div> <div style="display: flex; justify-content: space-between; align-items: center;"> OLV/PM AOLV/PM CLV/PM </div> <p>0: Disabled 1: Enabled</p> | Default: 0 Min: 0 Max: 1 | 279 |
| n5-02 (5B1H) | Motor Acceleration Time | <div style="display: flex; justify-content: space-between; align-items: center;"> V/f V/f w/PG OLV CLV </div> <div style="display: flex; justify-content: space-between; align-items: center;"> OLV/PM AOLV/PM CLV/PM </div> <p>Sets the time required to accelerate the motor at the rated torque from stop to rated speed.</p> | Default: <9> <14> Min: 0.001 s Max: 10.000 s | 279 |
| n5-03 (5B2H) | Feed Forward Control Gain | <div style="display: flex; justify-content: space-between; align-items: center;"> V/f V/f w/PG OLV CLV </div> <div style="display: flex; justify-content: space-between; align-items: center;"> OLV/PM AOLV/PM CLV/PM </div> <p>Sets the ratio between motor and load inertia. Lower this setting if overshoot occurs at the end of acceleration.</p> | Default: 1.00 Min: 0.00 Max: 100.00 | 280 |

<9> Default setting value is dependent on the drive model (o2-04) and the Drive Duty (C6-01).

<14> Default setting value is dependent on the motor code set to E5-01.

■ n6: Online Tuning

| No. (Addr.) | Name | Description | Setting | Page |
|-----------------|-------------------------|--|---|------|
| n6-01 (570H) | Online Tuning Selection | <div style="display: flex; justify-content: space-between; align-items: center;"> V/f V/f w/PG OLV CLV </div> <div style="display: flex; justify-content: space-between; align-items: center;"> OLV/PM AOLV/PM CLV/PM </div> <p>0: Disabled 1: Line-to-line resistance tuning 2: Voltage correction. Setting not possible when Energy Saving is enabled (b8-01).</p> | Default: 2 Min: 0 Max: 2 | 280 |
| n6-05 (5C7H) | Online Tuning Gain | <div style="display: flex; justify-content: space-between; align-items: center;"> V/f V/f w/PG OLV CLV </div> <div style="display: flex; justify-content: space-between; align-items: center;"> OLV/PM AOLV/PM CLV/PM </div> <p>Decrease this setting for motors with a relatively large rotor time constant. If overload occurs, increase this setting slowly in increments of 0.10.</p> | Default: 1.00 Min: 0.10 Max: 5.00 | 281 |

■ n8: PM Motor Control Tuning

| No. (Addr.) | Name | Description | Setting | Page |
|-----------------|--|---|--|------|
| n8-01 (540H) | Initial Rotor Position Estimation Current | <div style="display: flex; justify-content: space-between; align-items: center;"> V/f V/f w/PG OLV CLV </div> <div style="display: flex; justify-content: space-between; align-items: center;"> OLV/PM AOLV/PM CLV/PM </div> <p>Sets the current used for initial rotor position estimation as a percentage of the motor rated current (E5-03). If the motor nameplate lists an "Si" value, that value should be entered here.</p> | Default: 50% Min: 0% Max: 100% | 281 |
| n8-02 (541H) | Pole Attraction Current | <div style="display: flex; justify-content: space-between; align-items: center;"> V/f V/f w/PG OLV CLV </div> <div style="display: flex; justify-content: space-between; align-items: center;"> OLV/PM AOLV/PM CLV/PM </div> <p>Sets the current during initial polar attraction as a percentage of the motor rated current. Enter a high value when attempting to increase starting torque.</p> | Default: 80% Min: 0% Max: 150% | 281 |
| n8-35 (562H) | Initial Rotor Position Detection Selection | <div style="display: flex; justify-content: space-between; align-items: center;"> V/f V/f w/PG OLV CLV </div> <div style="display: flex; justify-content: space-between; align-items: center;"> OLV/PM AOLV/PM CLV/PM </div> <p>0: Pull-in 1: High frequency injection 2: Pulse injection</p> | Default: 1 Min: 0 Max: 2 | 281 |
| n8-45 (538H) | Speed Feedback Detection Control Gain | <div style="display: flex; justify-content: space-between; align-items: center;"> V/f V/f w/PG OLV CLV </div> <div style="display: flex; justify-content: space-between; align-items: center;"> OLV/PM AOLV/PM CLV/PM </div> <p>Increase this setting if hunting occurs. Decrease to lower the response.</p> | Default: 0.80 Min: 0.00 Max: 10.00 | 282 |
| n8-47 (53AH) | Pull-In Current Compensation Time Constant | <div style="display: flex; justify-content: space-between; align-items: center;"> V/f V/f w/PG OLV CLV </div> <div style="display: flex; justify-content: space-between; align-items: center;"> OLV/PM AOLV/PM CLV/PM </div> <p>Sets the time constant to make the pull-in current reference and actual current value agree. Decrease the value if the motor begins to oscillate, and increase the value if it takes too long for the current reference to equal the output current.</p> | Default: 5.0 s Min: 0.0 s Max: 100.0 s | 282 |
| n8-48 (53BH) | Pull-In Current | <div style="display: flex; justify-content: space-between; align-items: center;"> V/f V/f w/PG OLV CLV </div> <div style="display: flex; justify-content: space-between; align-items: center;"> OLV/PM AOLV/PM CLV/PM </div> <p>Defines the d-axis current reference during no-load operation at a constant speed. Set as a percentage of the motor rated current. Increase this setting if hunting occurs while running at constant speed.</p> | Default: 30% Min: 20% Max: 200% | 282 |
| n8-49 (53CH) | d-Axis Current for High Efficiency Control | <div style="display: flex; justify-content: space-between; align-items: center;"> V/f V/f w/PG OLV CLV </div> <div style="display: flex; justify-content: space-between; align-items: center;"> OLV/PM AOLV/PM CLV/PM </div> <p>Sets the d-axis current reference when running a high load at constant speed. Set as a percentage of the motor rated current.</p> | Default: <14> Min: -200.0% Max: 0.0% | 282 |

B.3 Parameter Table

| No. (Addr.) | Name | Description | Setting | Page |
|-------------------------|---|--|--|------|
| n8-51 (53EH) | Acceleration/Deceleration Pull-In Current | <p>V/f V/f w/PG OLV CLV</p> <p>OLV/PM AOLV/PM CLV/PM</p> <p>Sets the d-axis current reference during acceleration/deceleration as a percentage of the motor rated current. Set to a high value when more starting torque is needed.</p> | Default: 50% Min: 0% Max: 200% | 282 |
| n8-54 (56DH) | Voltage Error Compensation Time Constant | <p>V/f V/f w/PG OLV CLV</p> <p>OLV/PM AOLV/PM CLV/PM</p> <p>Adjusts the value when hunting occurs at low speed. If hunting occurs with sudden load changes, increase n8-54 in increments of 0.1. Reduce this setting if oscillation occurs at start.</p> | Default: 1.00 s Min: 0.00 s Max: 10.00 s | 282 |
| n8-55 (56EH) | Load Inertia | <p>V/f V/f w/PG OLV CLV</p> <p>OLV/PM AOLV/PM CLV/PM</p> <p>For large inertia loads or to increase the speed control response, increase this setting. Too high of a setting when driving a very light load or load with very low inertia can result in oscillation.</p> | Default: 0 Min: 0 Max: 3 | 283 |
| n8-57 (574H) | High Frequency Injection | <p>V/f V/f w/PG OLV CLV</p> <p>OLV/PM AOLV/PM CLV/PM</p> <p>0: Disabled. Disable when using an SPM motor. 1: Enabled. Use this setting to enhance the speed control range when using an IPM motor.</p> | Default: 0 Min: 0 Max: 1 | 283 |
| n8-62 (57DH) <18> | Output Voltage Limit | <p>V/f V/f w/PG OLV CLV</p> <p>OLV/PM AOLV/PM CLV/PM</p> <p>Prevents output voltage saturation. Should be set just below the voltage provided by the input power supply.</p> | Default: 200.0 V Min: 0.0 V Max: 230.0 V | 283 |
| n8-65 (65CH) | Speed Feedback Detection Control Gain during ov Suppression | <p>V/f V/f w/PG OLV CLV</p> <p>OLV/PM AOLV/PM CLV/PM</p> <p>Sets the gain used for internal speed feedback detection during ov suppression</p> | Default: 1.50 Min: 0.00 Max: 10.00 | 283 |



<14> Default setting value is dependent on the motor code set to E5-01.

<18> Values shown here are for 200 V class drives. Double the value when using a 400 V class drive.

◆ o: Operator Related Settings

The o parameters are used to set up the digital operator displays.

■ o1: Digital Operator Display Selection

| No. (Addr.) | Name | Description | Setting | Page |
|--|--|---|--|------|
| o1-01 (500H)  | Drive Mode Unit Monitor Selection | <p>All Modes</p> <p>Selects the content of the last monitor that is shown when scrolling through Drive Mode display. Enter the last three digits of the monitor parameter number to be displayed: U□-□□.</p> | Default: 106 (Monitor U1-06) Min: 104 Max: 809 | 284 |
| o1-02 (501H)  | User Monitor Selection after Power Up | <p>All Modes</p> <p>1: Frequency reference (U1-01) 2: Direction 3: Output frequency (U1-02) 4: Output current (U1-03) 5: User-selected monitor (set by o1-01)</p> | Default: 1 Min: 1 Max: 5 | 284 |
| o1-03 (502H) | Digital Operator Display Selection | <p>All Modes</p> <p>Sets the units the drive should use to display the frequency reference and motor speed monitors. 0: 0.01 Hz 1: 0.01% (100% = E1-04) 2: r/min (calculated using the number of motor poles setting in E2-04, E4-04, or E5-04) 3: User-selected units (set by o1-10 and o1-11)</p> | Default: <10> Min: 0 Max: 3 | 284 |
| o1-04 (503H) | V/f Pattern Display Unit | <p>V/f V/f w/PG OLV CLV</p> <p>OLV/PM AOLV/PM CLV/PM</p> <p>0: Hz 1: r/min</p> | Default: <10> Min: 0 Max: 1 | 285 |
| o1-10 (520H) | User-Set Display Units Maximum Value | <p>All Modes</p> <p>These settings define the display values when o1-03 is set to 3. o1-10 sets the display value that is equal to the maximum output frequency. o1-11 sets the position of the decimal position.</p> | Default: <36> Min: 1 Max: 60000 | 285 |
| o1-11 (521H) | User-Set Display Units Decimal Display | | Default: <36> Min: 0 Max: 3 | 285 |

<10> Default setting is determined by the control mode (A1-02).

<36> Default setting value is determined by the digital operator display selection (o1-03).

o2: Digital Operator Keypad Functions

| No. (Addr.) | Name | Description | Setting | Page |
|-----------------|---|--|---|------|
| o2-01 (505H) | LO/RE Key Function Selection | All Modes 0: Disabled 1: Enabled. LO/RE key switches between LOCAL and REMOTE operation. | Default: 1 Min: 0 Max: 1 | 285 |
| o2-02 (506H) | STOP Key Function Selection | All Modes 0: Disabled. STOP key is disabled in REMOTE operation. 1: Enabled. STOP key is always enabled. | Default: 1 Min: 0 Max: 1 | 286 |
| o2-03 (507H) | User Parameter Default Value | All Modes 0: No change. 1: Set defaults. Saves parameter settings as default values for a User Initialization. 2: Clear all. Clears the default settings that have been saved for a User Initialization. | Default: 0 Min: 0 Max: 2 | 286 |
| o2-04 (508H) | Drive Model Selection | All Modes Enter the drive model. Setting required only if installing a new control board. | Default: Determined by drive capacity Min: – Max: – | 286 |
| o2-05 (509H) | Frequency Reference Setting Method Selection | All Modes 0: ENTER key must be pressed to enter a frequency reference. 1: ENTER key is not required. The frequency reference can be adjusted using the up and down arrow keys only. | Default: 0 Min: 0 Max: 1 | 286 |
| o2-06 (50AH) | Operation Selection when Digital Operator is Disconnected | All Modes 0: The drive continues operating if the digital operator is disconnected. 1: A fault is triggered (oPr) and the motor coasts to stop. | Default: 0 Min: 0 Max: 1 | 287 |
| o2-07 (527H) | Motor Direction at Power Up when Using Operator | All Modes 0: Forward 1: Reverse This parameter requires that drive operation be assigned to the digital operator. | Default: 0 Min: 0 Max: 1 | 287 |
| o2-09 (50DH) | Reserved | – | – | – |

o3: Copy Function

| No. (Addr.) | Name | Description | Setting | Page |
|-----------------|-------------------------|---|--------------------------------|------|
| o3-01 (515H) | Copy Function Selection | All Modes 0: No action 1: Read parameters from the drive, saving them onto the digital operator. 2: Copy parameters from the digital operator, writing them to the drive. 3: Verify parameter settings on the drive to check if they match the data saved on the operator. | Default: 0 Min: 0 Max: 3 | 287 |
| o3-02 (516H) | Copy Allowed Selection | All Modes 0: Read operation prohibited 1: Read operation allowed | Default: 0 Min: 0 Max: 1 | 287 |

o4: Maintenance Monitor Settings

| No. (Addr.) | Name | Description | Setting | Page |
|-----------------|---|--|---|------|
| o4-01 (50BH) | Cumulative Operation Time Setting | All Modes Sets the value for the cumulative operation time of the drive in units of 10 h. | Default: 0 h Min: 0 h Max: 9999 h | 288 |
| o4-02 (50CH) | Cumulative Operation Time Selection | All Modes 0: Logs power-on time 1: Logs operation time when the drive output is active (output operation time). | Default: 0 Min: 0 Max: 1 | 288 |
| o4-03 (50EH) | Cooling Fan Operation Time Setting | All Modes Sets the value of the fan operation time monitor U4-03 in units of 10 h. | Default: 0 h Min: 0 h Max: 9999 h | 288 |
| o4-05 (51DH) | Capacitor Maintenance Setting | All Modes Sets the value of the Maintenance Monitor for the capacitors. See U4-05 to check when the capacitors may need to be replaced. | Default: 0% Min: 0% Max: 150% | 288 |
| o4-07 (523H) | DC Bus Pre-Charge Relay Maintenance Setting | All Modes Sets the value of the Maintenance Monitor for the soft charge bypass relay. See U4-06 to check when the bypass relay may need to be replaced. | Default: 0% Min: 0% Max: 150% | 288 |
| o4-09 (525H) | IGBT Maintenance Setting | All Modes Sets the value of the Maintenance Monitor for the IGBTs. See U4-07 to check when the IGBTs may need to be replaced. | Default: 0% Min: 0% Max: 150% | 289 |
| o4-11 (510H) | U2, U3 Initialization | All Modes 0: U2-□□ and U3-□□ monitor data is not reset when the drive is initialized (A1-03). 1: U2-□□ and U3-□□ monitor data is reset when the drive is initialized (A1-03). | Default: 0 Min: 0 Max: 1 | 289 |

B.3 Parameter Table

| No. (Addr.) | Name | Description | Setting | Page |
|-----------------|---|--|--------------------------------|------|
| o4-12 (512H) | kWh Monitor Initialization | <p>All Modes</p> <p>0: U4-10 and U4-11 monitor data is not reset when the drive is initialized (A1-03). 1: U4-10 and U4-11 monitor data is reset when the drive is initialized (A1-03).</p> | Default: 0 Min: 0 Max: 1 | 289 |
| o4-13 (528H) | Number of Run Commands Counter Initialization | <p>All Modes</p> <p>0: Number of Run commands counter is not reset when the drive is initialized (A1-03). 1: Number of Run commands counter is reset when the drive is initialized (A1-03).</p> | Default: 0 Min: 0 Max: 1 | 289 |

◆ q: DriveWorksEZ Parameters

| No. (Addr.) | Name | Description | Setting | Page |
|------------------------------------|-------------------------|--|-------------------------------------|------|
| q1-01 to q6-07 (1600H to 1746H) | DriveWorksEZ Parameters | <p>All Modes</p> <p>Reserved for DriveWorksEZ</p> | Refer to Help in the DWEZ software. | 289 |

◆ r: DriveWorksEZ Connection Parameters

| No. (Addr.) | Name | Description | Setting | Page |
|------------------------------------|--|---|------------------------------------|------|
| r1-01 to r1-40 (1840H to 1867H) | DriveWorksEZ Connection Parameters 1 to 20 (upper/lower) | <p>All Modes</p> <p>DriveWorksEZ Connection Parameters 1 to 20 (upper/lower)</p> | Default: 0 Min: 0 Max: FFFFH | 289 |

◆ T: Motor Tuning

Enter data into the following parameters to tune the motor and drive for optimal performance

■ T1: Induction Motor Auto-Tuning

| No. (Addr.) | Name | Description | Setting | Page |
|-------------------------|-----------------------------|--|---|------|
| T1-00 (700H) | Motor 1 / Motor 2 Selection | <p>V/f V/f w/PG OLV CLV</p> <p>OLV/PM AOLV/PM CLV/PM</p> <p>1: Motor 1 (sets E1-□□, E2-□□) 2: Motor 2 (sets E3-□□, E4-□□)</p> | Default: 1 Min: 1 Max: 2 | 114 |
| T1-01 (701H) <37> | Auto-Tuning Mode Selection | <p>V/f V/f w/PG OLV CLV</p> <p>OLV/PM AOLV/PM CLV/PM</p> <p>0: Rotational Auto-Tuning 1: Stationary Auto-Tuning 1 2: Stationary Auto-Tuning for Line-to-Line Resistance 3: Rotational Auto-Tuning for V/f Control (necessary for Energy Savings and Speed Estimation Speed Search) 4: Stationary Auto-Tuning 2 8: Inertia Tuning (perform Rotational Auto-Tuning prior to Inertia Tuning) 9: ASR Gain Tuning (perform Rotational Auto-Tuning prior to ASR Gain Auto-Tuning)</p> | Default: 0 Min: 0 Max: 4, 8, 9 <10> | 114 |
| T1-02 (702H) | Motor Rated Power | <p>V/f V/f w/PG OLV CLV</p> <p>OLV/PM AOLV/PM CLV/PM</p> <p>Sets the motor rated power as specified on the motor nameplate. Note: Use the following formula to convert horsepower into kilowatts: kW = HP x 0.746.</p> | Default: <6> Min: 0.00 kW Max: 650.00 kW | 115 |
| T1-03 (703H) <18> | Motor Rated Voltage | <p>V/f V/f w/PG OLV CLV</p> <p>OLV/PM AOLV/PM CLV/PM</p> <p>Sets the motor rated voltage as specified on the motor nameplate.</p> | Default: 200.0 V Min: 0.0 V Max: 255.0 V | 115 |
| T1-04 (704H) | Motor Rated Current | <p>V/f V/f w/PG OLV CLV</p> <p>OLV/PM AOLV/PM CLV/PM</p> <p>Sets the motor rated current as specified on the motor nameplate.</p> | Default: <6> Min: 10% of drive rated current Max: 200% of drive rated current | 115 |
| T1-05 (705H) | Motor Base Frequency | <p>V/f V/f w/PG OLV CLV</p> <p>OLV/PM AOLV/PM CLV/PM</p> <p>Sets the rated frequency of the motor as specified on the motor nameplate.</p> | Default: 50.0 Hz Min: 0.0 Hz Max: 400.0 Hz | 115 |
| T1-06 (706H) | Number of Motor Poles | <p>V/f V/f w/PG OLV CLV</p> <p>OLV/PM AOLV/PM CLV/PM</p> <p>Sets the number of motor poles as specified on the motor nameplate.</p> | Default: 4 Min: 2 Max: 48 | 115 |
| T1-07 (707H) | Motor Base Speed | <p>V/f V/f w/PG OLV CLV</p> <p>OLV/PM AOLV/PM CLV/PM</p> <p>Sets the rated speed of the motor as specified on the motor nameplate.</p> | Default: 1450 r/min Min: 0 r/min Max: 24000 r/min | 115 |

| No. (Addr.) | Name | Description | Setting | Page |
|-----------------|--|---|---|------|
| T1-08 (708H) | PG Number of Pulses Per Revolution | <p>V/f V/f w/PG OLV CLV</p> <p>OLV/PM AOLV/PM CLV/PM</p> <p>Set the number of pulses per revolution for the PG being used (pulse generator or encoder).</p> | Default: 1024 ppr Min: 0 ppr Max: 60000 ppr | 116 |
| T1-09 (709H) | Motor No-Load Current (Stationary Auto-Tuning) | <p>V/f V/f w/PG OLV CLV</p> <p>OLV/PM AOLV/PM CLV/PM</p> <p>Sets the no-load current for the motor. After setting the motor capacity to T1-02 and the motor rated current to T1-04, this parameter will automatically display the no-load current for a standard 4 pole Yaskawa motor. Enter the no-load current as indicated on the motor test report.</p> | Default: – Min: 0 A Max: T1-04 | 116 |
| T1-10 (70AH) | Motor Rated Slip (Stationary Auto-Tuning) | <p>V/f V/f w/PG OLV CLV</p> <p>OLV/PM AOLV/PM CLV/PM</p> <p>Sets the motor rated slip. After setting the motor capacity to T1-02, this parameter will automatically display the motor slip for a standard 4 pole Yaskawa motor. Enter the motor slip as indicated on the motor test report.</p> | Default: – Min: 0.00 Hz Max: 20.00 Hz | 116 |
| T1-11 (70BH) | Motor Iron Loss | <p>V/f V/f w/PG OLV CLV</p> <p>OLV/PM AOLV/PM CLV/PM</p> <p>Sets the iron loss for determining the Energy Saving coefficient. The value is set to E2-10 (motor iron loss) set when the power is cycled. If T1-02 is changed, a default value appropriate for the motor capacity that was entered will appear.</p> | Default: 14 W <38> Min: 0 W Max: 65535 W | 116 |

<6> Default setting value varies by the drive model (o2-04).

<10> Default setting is determined by the control mode (A1-02).

<18> Values shown here are for 200 V class drives. Double the value when using a 400 V class drive.

<37> The availability of certain Auto-Tuning methods depends on the control mode selected for the drive.

<38> Default setting value differs depending on the motor code value and motor parameter settings.

■ T2: PM Motor Auto-Tuning

| No. (Addr.) | Name | Description | Setting | Page |
|-------------------------|-------------------------------------|---|---|------|
| T2-01 (750H) | PM Motor Auto-Tuning Mode Selection | <p>V/f V/f w/PG OLV CLV</p> <p>OLV/PM AOLV/PM CLV/PM</p> <p>0: PM Motor Parameter Settings 1: PM Stationary Auto-Tuning 2: PM Stationary Auto-Tuning for Stator Resistance 3: Z Pulse Offset Tuning 8: Inertia Tuning 9: ASR Gain Auto-Tuning Prior to executing Inertia Tuning or ASR Gain Auto-Tuning, be sure to take the following steps: • perform Auto-Tuning for motor data (T2-01 = 0, 1, or 2) or set the motor code to E5-01. • verify all motor data entered to the drive with the motor nameplate or the motor test report.</p> | Default: 0 Min: 0 Max: 3, 8, 9 <10> | 116 |
| T2-02 (751H) | PM Motor Code Selection | <p>V/f V/f w/PG OLV CLV</p> <p>OLV/PM AOLV/PM CLV/PM</p> <p>Enter the motor code when using a Yaskawa PM motor. Once the motor code is entered, the drive automatically sets parameters T2-03 through T2-14. When using a motor that is not supported motor code or a non-Yaskawa motor, set FFFF here and then adjust the other T2 parameters according the motor nameplate or the motor test report.</p> | Default: <16> Min: 0000 Max: FFFF | 117 |
| T2-03 (752H) | PM Motor Type | <p>V/f V/f w/PG OLV CLV</p> <p>OLV/PM AOLV/PM CLV/PM</p> <p>0: IPM motor 1: SPM motor. Parameter T2-17 will not be displayed with this setting.</p> | Default: 1 Min: 0 Max: 1 | 117 |
| T2-04 (730H) | PM Motor Rated Power | <p>V/f V/f w/PG OLV CLV</p> <p>OLV/PM AOLV/PM CLV/PM</p> <p>Sets the motor rated power. Note: Use the following formula to convert horsepower into kilowatts: kW = HP x 0.746.</p> | Default: <6> Min: 0.00 kW Max: 650.00 kW | 117 |
| T2-05 (732H) <18> | PM Motor Rated Voltage | <p>V/f V/f w/PG OLV CLV</p> <p>OLV/PM AOLV/PM CLV/PM</p> <p>Enter the motor rated voltage as indicated on the motor nameplate.</p> | Default: 200.0 V Min: 0.0 V Max: 255.0 V | 117 |
| T2-06 (733H) | PM Motor Rated Current | <p>V/f V/f w/PG OLV CLV</p> <p>OLV/PM AOLV/PM CLV/PM</p> <p>Enter the motor rated current as indicated on the motor nameplate.</p> | Default: <6> Min: 10% of drive rated current Max: 200% of drive rated current | 117 |
| T2-07 (753H) | PM Motor Base Frequency | <p>V/f V/f w/PG OLV CLV</p> <p>OLV/PM AOLV/PM CLV/PM</p> <p>Enter the motor base frequency as indicated on the motor nameplate.</p> | Default: 87.5 Hz Min: 0.0 Hz Max: 400.0 Hz | 117 |

B.3 Parameter Table

| No. (Addr.) | Name | Description | Setting | Page |
|-----------------|--|--|---|------|
| T2-08 (734H) | Number of PM Motor Poles | <div style="display: flex; justify-content: space-around; margin-bottom: 5px;"> V/f V/f w/PG OLV CLV </div> <div style="display: flex; justify-content: space-around;"> OLV/PM AOLV/PM CLV/PM </div> <p>Enter the number of motor poles for the PM motor as indicated on the motor nameplate.</p> | Default: 6 Min: 2 Max: 48 | 118 |
| T2-09 (731H) | PM Motor Base Speed | <div style="display: flex; justify-content: space-around; margin-bottom: 5px;"> V/f V/f w/PG OLV CLV </div> <div style="display: flex; justify-content: space-around;"> OLV/PM AOLV/PM CLV/PM </div> <p>Enter the base speed for the PM motor as indicated on the motor nameplate.</p> | Default: 1750 r/min Min: 0 r/min Max: 24000 r/min | 118 |
| T2-10 (754H) | PM Motor Stator Resistance | <div style="display: flex; justify-content: space-around; margin-bottom: 5px;"> V/f V/f w/PG OLV CLV </div> <div style="display: flex; justify-content: space-around;"> OLV/PM AOLV/PM CLV/PM </div> <p>Enter the rotor resistance for the PM motor as indicated on the motor nameplate.</p> | Default: <39> Min: 0.000 Ω Max: 65.000 Ω | 118 |
| T2-11 (735H) | PM Motor d-Axis Inductance | <div style="display: flex; justify-content: space-around; margin-bottom: 5px;"> V/f V/f w/PG OLV CLV </div> <div style="display: flex; justify-content: space-around;"> OLV/PM AOLV/PM CLV/PM </div> <p>Enter the d-axis inductance for the PM motor as indicated on the motor nameplate.</p> | Default: <39> Min: 0.00 mH Max: 600.00 mH | 118 |
| T2-12 (736H) | PM Motor q-Axis Inductance | <div style="display: flex; justify-content: space-around; margin-bottom: 5px;"> V/f V/f w/PG OLV CLV </div> <div style="display: flex; justify-content: space-around;"> OLV/PM AOLV/PM CLV/PM </div> <p>Enter the q-axis inductance for the PM motor as indicated on the motor nameplate.</p> | Default: <39> Min: 0.00 mH Max: 600.00 mH | 118 |
| T2-13 (755H) | Induced Voltage Constant Unit Selection | <div style="display: flex; justify-content: space-around; margin-bottom: 5px;"> V/f V/f w/PG OLV CLV </div> <div style="display: flex; justify-content: space-around;"> OLV/PM AOLV/PM CLV/PM </div> <p>0: mV/(r/min). E5-09 will automatically be set to 0.0, and E5-24 will be used. 1: mV/(rad/sec). E5-24 will automatically be set to 0.0, and E5-09 will be used.</p> | Default: 1 Min: 0 Max: 1 | 118 |
| T2-14 (737H) | PM Motor Induced Voltage Constant | <div style="display: flex; justify-content: space-around; margin-bottom: 5px;"> V/f V/f w/PG OLV CLV </div> <div style="display: flex; justify-content: space-around;"> OLV/PM AOLV/PM CLV/PM </div> <p>Enter the induced voltage coefficient for the PM motor as indicated on the motor nameplate.</p> | Default: <39> Min: 0.1 Max: 2000.0 | 118 |
| T2-15 (756H) | Pull-In Current Level for PM Motor Tuning | <div style="display: flex; justify-content: space-around; margin-bottom: 5px;"> V/f V/f w/PG OLV CLV </div> <div style="display: flex; justify-content: space-around;"> OLV/PM AOLV/PM CLV/PM </div> <p>Sets the amount of pull-in current to use for Auto-Tuning as a percentage of the motor rated current. Increase this setting for high inertia loads.</p> | Default: 30% Min: 0% Max: 120% | 118 |
| T2-16 (738H) | PG Number of Pulses Per Revolution for PM Motor Tuning | <div style="display: flex; justify-content: space-around; margin-bottom: 5px;"> V/f V/f w/PG OLV CLV </div> <div style="display: flex; justify-content: space-around;"> OLV/PM AOLV/PM CLV/PM </div> <p>Sets the number of pulses per revolution for the PG being used (pulse generator or encoder).</p> | Default: 1024 ppr Min: 1 ppr Max: 15000 ppr | 119 |
| T2-17 (757H) | Encoder Z-Pulse Offset | <div style="display: flex; justify-content: space-around; margin-bottom: 5px;"> V/f V/f w/PG OLV CLV </div> <div style="display: flex; justify-content: space-around;"> OLV/PM AOLV/PM CLV/PM </div> <p>Sets the offset between encoder offset and the rotor magnetic axis.</p> | Default: 0.0 deg Min: -180.0 deg Max: 180.0 deg | 119 |

<6> Default setting value varies by the drive model (o2-04).

<10> Default setting is determined by the control mode (A1-02).

<16> Default setting is determined by the control mode (A1-02) and the drive model (o2-04).

<18> Values shown here are for 200 V class drives. Double the value when using a 400 V class drive.

<39> Default setting is determined by the drive capacity and the motor code selected in T2-02.

■ T3: ASR and Inertia Tuning

| No. (Addr.) | Name | Description | Setting | Page |
|-------------------------|---------------------------|---|---|------|
| T3-01 (760H) <40> | Test Signal Frequency | <div style="display: flex; justify-content: space-around; margin-bottom: 5px;"> V/f V/f w/PG OLV CLV </div> <div style="display: flex; justify-content: space-around;"> OLV/PM AOLV/PM CLV/PM </div> <p>Sets the frequency of the test signal used during Inertia Tuning and ASR Gain Auto-Tuning. Reduce this value if the inertia is large or if a fault occurs.</p> | Default: 3.0 Hz Min: 0.1 Hz Max: 20.0 Hz | 119 |
| T3-02 (761H) <40> | Test Signal Amplitude | <div style="display: flex; justify-content: space-around; margin-bottom: 5px;"> V/f V/f w/PG OLV CLV </div> <div style="display: flex; justify-content: space-around;"> OLV/PM AOLV/PM CLV/PM </div> <p>Sets the amplitude of the test signal used during Inertia and ASR Gain Auto-Tuning. Reduce this value if the inertia is too large or if a fault occurs.</p> | Default: 0.5 rad Min: 0.1 rad Max: 10.0 rad | 119 |
| T3-03 (762H) <40> | Motor Inertia | <div style="display: flex; justify-content: space-around; margin-bottom: 5px;"> V/f V/f w/PG OLV CLV </div> <div style="display: flex; justify-content: space-around;"> OLV/PM AOLV/PM CLV/PM </div> <p>Sets the motor inertia. Default setting is the inertia of a Yaskawa motor.</p> | Default: <9> <14> Min: 0.0001 kgm ² Max: 600.00 kgm ² | 119 |
| T3-04 (763H) <40> | System Response Frequency | <div style="display: flex; justify-content: space-around; margin-bottom: 5px;"> V/f V/f w/PG OLV CLV </div> <div style="display: flex; justify-content: space-around;"> OLV/PM AOLV/PM CLV/PM </div> <p>Sets the response frequency of the mechanical system connected to the motor. Oscillation may result if set too high.</p> | Default: 10.0 Hz Min: 0.1 Hz Max: 50.0 Hz | 120 |

<9> Default setting value is dependent on the drive model (o2-04) and the Drive Duty (C6-01).

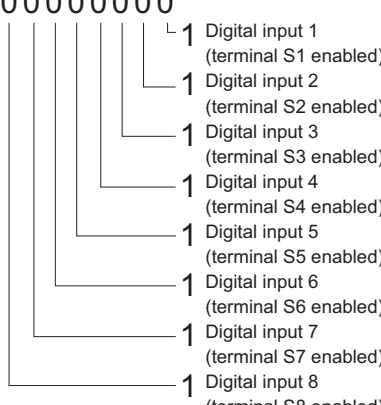
<14> Default setting value is dependent on the motor code set to E5-01.

<40> Displayed only when performing Inertia Tuning or ASR Gain Auto-Tuning (T1-01 = 9 or T2-01 = 9).

◆ **U: Monitors**

Monitor parameters allow the user to view drive status, fault information, and other data concerning drive operation.

■ **U1: Operation Status Monitors**

| No. (Addr.) | Name | Description | Analog Output Level | Unit | Page |
|----------------|--------------------------|---|------------------------------|-----------|------|
| U1-01 (40H) | Frequency Reference | All Modes Monitors the frequency reference. Display units are determined by o1-03. | 10 V: Max frequency | 0.01 Hz | – |
| U1-02 (41H) | Output Frequency | All Modes Displays the output frequency. Display units are determined by o1-03. | 10 V: Max frequency | 0.01 Hz | – |
| U1-03 (42H) | Output Current | All Modes Displays the output current. | 10 V: Drive rated current | <19> <50> | – |
| U1-04 (43H) | Control Method | All Modes 0: V/f Control 1: V/f Control with PG 2: Open Loop Vector Control 3: Closed Loop Vector Control 5: Open Loop Vector Control for PM 6: Advanced Open Loop Vector Control for PM 7: Closed Loop Vector Control for PM | No signal output available | – | – |
| U1-05 (44H) | Motor Speed | V/f V/f w/PG OLV CLV OLV/PM AOLV/PM CLV/PM Displays the motor speed feedback. Display units are determined by o1-03. | 10 V: Max Frequency | 0.01 Hz | – |
| U1-06 (45H) | Output Voltage Reference | All Modes Displays the output voltage. | 10 V: 200 Vrms <18> | 0.1 Vac | – |
| U1-07 (46H) | DC Bus Voltage | All Modes Displays the DC bus voltage. | 10 V: 400 V <18> | 1 Vdc | – |
| U1-08 (47H) | Output Power | All Modes Displays the output power (this value is calculated internally). | 10 V: Drive rated power (kW) | <22> | – |
| U1-09 (48H) | Torque Reference | V/f V/f w/PG OLV CLV OLV/PM AOLV/PM CLV/PM Monitors the internal torque reference. | 10 V: Motor rated torque | 0.1% | – |
| U1-10 (49H) | Input Terminal Status | All Modes Displays the input terminal status. U1-10=00000000  1 Digital input 1 (terminal S1 enabled) 1 Digital input 2 (terminal S2 enabled) 1 Digital input 3 (terminal S3 enabled) 1 Digital input 4 (terminal S4 enabled) 1 Digital input 5 (terminal S5 enabled) 1 Digital input 6 (terminal S6 enabled) 1 Digital input 7 (terminal S7 enabled) 1 Digital input 8 (terminal S8 enabled) | No signal output available | – | – |

B.3 Parameter Table

| No. (Addr.) | Name | Description | Analog Output Level | Unit | Page |
|-----------------|---|---|----------------------------|---------|------|
| U1-11 (4AH) | Output Terminal Status | <p>All Modes</p> <p>Displays the output terminal status.</p> <p>U1-11=00000000</p> <ul style="list-style-type: none"> 1 Multi-Function Digital Output (terminal M1-M2) 1 Multi-Function Digital Output (terminal M3-M4) 1 Multi-Function Digital Output (terminal M5-M6) Not Used 1 Fault Relay (terminal MA-MC closed, MA-MC open) | No signal output available | - | - |
| U1-12 (4BH) | Drive Status | <p>All Modes</p> <p>Verifies the drive operation status.</p> <p>U1-12=00000000</p> <ul style="list-style-type: none"> 1 During run 1 During zero-speed 1 During REV 1 During fault reset signal input 1 During speed agree 1 Drive ready 1 During alarm detection 1 During fault detection | No signal output available | - | - |
| U1-13 (4EH) | Terminal A1 Input Level | <p>All Modes</p> <p>Displays the signal level to analog input terminal A1.</p> | 10 V: 100% | 0.1% | - |
| U1-14 (4FH) | Terminal A2 Input Level | <p>All Modes</p> <p>Displays the signal level to analog input terminal A2.</p> | 10 V: 100% | 0.1% | - |
| U1-15 (50H) | Terminal A3 Input Level | <p>All Modes</p> <p>Displays the signal level to analog input terminal A3.</p> | 10 V: 100% | 0.1% | - |
| U1-16 (53H) | Output Frequency after Soft Starter | <p>All Modes</p> <p>Displays output frequency with ramp time and S-curves. Units determined by o1-03.</p> | 10 V: Max frequency | 0.01 Hz | - |
| U1-17 (58H) | DI-A3 Input Status | <p>All Modes</p> <p>Displays the reference value input from the DI-A3 option card. Display will appear in hexadecimal as determined by the digital card input selection in F3-01. 3FFFF: Set (1 bit) + sign (1 bit) + 16 bit</p> | No signal output available | - | - |
| U1-18 (61H) | oPE Fault Parameter | <p>All Modes</p> <p>Displays the parameter number that caused the oPE□□ or Err (EEPROM write error) error.</p> | No signal output available | - | - |
| U1-19 (66H) | MEMOBUS/Modbus Error Code | <p>All Modes</p> <p>Displays the contents of a MEMOBUS/Modbus error.</p> <p>U1-19=00000000</p> <ul style="list-style-type: none"> 1 CRC Error 1 Data Length Error 0 Not Used 1 Parity Error 1 Overrun Error 1 Framing Error 1 Timed Out 0 Not Used | No signal output available | - | - |
| U1-21 (77H) | AI-A3 Terminal V1 Input Voltage Monitor | <p>All Modes</p> <p>Displays the input voltage to terminal V1 on analog input card AI-A3.</p> | 10 V: 100% | 0.1% | - |
| U1-22 (72AH) | AI-A3 Terminal V2 Input Voltage Monitor | <p>All Modes</p> <p>Displays the input voltage to terminal V2 on analog input card AI-A3.</p> | 10 V: 100% | 0.1% | - |
| U1-23 (72BH) | AI-A3 Terminal V3 Input Voltage Monitor | <p>All Modes</p> <p>Displays the input voltage to terminal V3 on analog input card AI-A3.</p> | 10 V: 100% | 0.1% | - |

| No. (Addr.) | Name | Description | Analog Output Level | Unit | Page |
|-------------|-------------------------|--|----------------------------|------|------|
| U1-24 (7DH) | Input Pulse Monitor | All Modes Displays the frequency to pulse train input terminal RP. | Determined by H6-02 | 1 Hz | – |
| U1-25 (4DH) | Software Number (Flash) | All Modes FLASH ID | No signal output available | – | – |
| U1-26 (5BH) | Software No. (ROM) | All Modes ROM ID | No signal output available | – | – |

<18> Values shown here are for 200 V class drives. Double the value when using a 400 V class drive.

<19> This value's number of decimal places depends on the drive model and the Heavy/Normal duty selection in parameter C6-01. The value will have two decimal places (0.01 A) if the drive is set for a Maximum Applicable Motor Capacity up to 11 kW (refer to [Table A.2](#) and [Table A.3](#)) and one decimal place (0.1 A) if the set Maximum Applicable Motor Capacity is higher than 11 kW.

<22> The display resolution depends on the rated output power of the drive after the Drive Duty has been set in parameter C6-01. Drives with a maximum output up to 11 kW will display this value in units of 0.01 kW (two decimal places). Drives with a maximum output greater than 11 kW will display this value in units of 0.1 kW (one decimal place). [Refer to Model Number and Nameplate Check on page 29](#) for details.

<50> When reading the value of this monitor via MEMOBUS/Modbus a value of 8192 is equal to 100% of the drive rated output current.

■ U2: Fault Trace

| No. (Addr.) | Name | Description | Analog Output Level | Unit | Page |
|--------------|--|--|----------------------------|-----------|------|
| U2-01 (80H) | Current Fault | All Modes Displays the current fault. | No signal output available | – | – |
| U2-02 (81H) | Previous Fault | All Modes Displays the previous fault. | No signal output available | – | – |
| U2-03 (82H) | Frequency Reference at Previous Fault | All Modes Displays the frequency reference at the previous fault. | No signal output available | 0.01 Hz | – |
| U2-04 (83H) | Output Frequency at Previous Fault | All Modes Displays the output frequency at the previous fault. | No signal output available | 0.01 Hz | – |
| U2-05 (84H) | Output Current at Previous Fault | All Modes Displays the output current at the previous fault. | No signal output available | <19> <50> | – |
| U2-06 (85H) | Motor Speed at Previous Fault | V/f V/f w/PG OLV CLV OLV/PM AOLV/PM CLV/PM Displays the motor speed at the previous fault. | No signal output available | 0.01 Hz | – |
| U2-07 (86H) | Output Voltage at Previous Fault | All Modes Displays the output voltage at the previous fault. | No signal output available | 0.1 Vac | – |
| U2-08 (87H) | DC Bus Voltage at Previous Fault | All Modes Displays the DC bus voltage at the previous fault. | No signal output available | 1 Vdc | – |
| U2-09 (88H) | Output Power at Previous Fault | All Modes Displays the output power at the previous fault. | No signal output available | 0.1 kW | – |
| U2-10 (89H) | Torque Reference at Previous Fault | V/f V/f w/PG OLV CLV OLV/PM AOLV/PM CLV/PM Displays the torque reference at the previous fault. | No signal output available | 0.1% | – |
| U2-11 (8AH) | Input Terminal Status at Previous Fault | All Modes Displays the input terminal status at the previous fault. Displayed as in U1-10. | No signal output available | – | – |
| U2-12 (8BH) | Output Terminal Status at Previous Fault | All Modes Displays the output status at the previous fault. Displays the same status displayed in U1-11. | No signal output available | – | – |
| U2-13 (8CH) | Drive Operation Status at Previous Fault | All Modes Displays the operation status of the drive at the previous fault. Displays the same status displayed in U1-12. | No signal output available | – | – |
| U2-14 (8DH) | Cumulative Operation Time at Previous Fault | All Modes Displays the cumulative operation time at the previous fault. | No signal output available | 1 h | – |
| U2-15 (7E0H) | Soft Starter Speed Reference at Previous Fault | All Modes Displays the speed reference for the soft starter at the previous fault. | No signal output available | 0.01 Hz | – |
| U2-16 (7E1H) | Motor q-Axis Current at Previous Fault | V/f V/f w/PG OLV CLV OLV/PM AOLV/PM CLV/PM Displays the q-axis current for the motor at the previous fault. | No signal output available | 0.10% | – |
| U2-17 (7E2H) | Motor d-Axis Current at Previous Fault | V/f V/f w/PG OLV CLV OLV/PM AOLV/PM CLV/PM Displays the d-axis current for the motor at the previous fault. | No signal output available | 0.10% | – |

B.3 Parameter Table

| No. (Addr.) | Name | Description | Analog Output Level | Unit | Page |
|-----------------|--|--|----------------------------|---------|------|
| U2-19 (7ECH) | Rotor Deviation at Previous Fault | <div style="display: flex; justify-content: space-around; align-items: center;"> V/f V/f w/PG OLV CLV </div> <div style="display: flex; justify-content: space-around; align-items: center;"> OLV/PM AOLV/PM CLV/PM </div> <p>Displays the degree of rotor deviation when the most recent fault occurred (same status will appear as shown in U6-10).</p> | No signal output available | 0.1 deg | – |
| U2-20 (8EH) | Heatsink Temperature at Previous Fault | <p>All Modes</p> <p>Displays the temperature of the heatsink when the most recent fault occurred.</p> | No signal output available | 1°C | – |

<19> This value's number of decimal places depends on the drive model and the Heavy/Normal duty selection in parameter C6-01. The value will have two decimal places (0.01 A) if the drive is set for a Maximum Applicable Motor Capacity up to 11 kW (refer to [Table A.2](#) and [Table A.3](#)) and one decimal place (0.1 A) if the set Maximum Applicable Motor Capacity is higher than 11 kW.

<50> When reading the value of this monitor via MEMOBUS/Modbus a value of 8192 is equal to 100% of the drive rated output current.

■ U3: Fault History

| No. (Addr.) | Name | Description | Analog Output Level | Unit | Page |
|--|--|--|----------------------------|------|------|
| U3-01 to U3-04 (90H to 93H 800H to 803H) | First to 4th Most Recent Fault | <p>All Modes</p> <p>Displays the first to the fourth most recent faults.</p> | No signal output available | – | – |
| U3-05 to U3-10 (804H to 809H) | 5th to 10th Most Recent Fault | <p>All Modes</p> <p>Displays the fifth to the tenth most recent faults. After ten faults have occurred in the drive, data for the oldest fault is deleted. The most recent fault appears in U3-01, with the next most recent fault appearing in U3-02. The data is moved to the next monitor parameter every time a fault occurs.</p> | No signal output available | – | – |
| U3-11 to U3-14 (94H to 97H 80AH to 80DH) | Cumulative Operation Time at 1st to 4th Most Recent Fault | <p>All Modes</p> <p>Displays the cumulative operation time when the first to the fourth most recent faults occurred.</p> | No signal output available | 1 h | – |
| U3-15 to U3-20 (80EH to 813H) | Cumulative Operation Time at 5th to 10th Most Recent Fault | <p>All Modes</p> <p>Displays the cumulative operation time when the fifth to the tenth most recent faults occurred.</p> | No signal output available | 1 h | – |

■ U4: Maintenance Monitors

| No. (Addr.) | Name | Description | Analog Output Level | Unit | Page |
|-----------------|--------------------------------------|--|----------------------------|--------|------|
| U4-01 (4CH) | Cumulative Operation Time | <p>All Modes</p> <p>Displays the cumulative operation time of the drive. The value for the cumulative operation time counter can be reset in parameter o4-01. Use parameter o4-02 to determine if the operation time should start as soon as the power is switched on or only while the Run command is present. The maximum number displayed is 99999, after which the value is reset to 0.</p> | No signal output available | 1 h | – |
| U4-02 (75H) | Number of Run Commands | <p>All Modes</p> <p>Displays the number of times the Run command is entered. Reset the number of Run commands using parameter o4-13. This value will reset to 0 and start counting again after reaching 65535.</p> | No signal output available | 1 Time | – |
| U4-03 (67H) | Cooling Fan Operation Time | <p>All Modes</p> <p>Displays the cumulative operation time of the cooling fan. The default value for the fan operation time is reset in parameter o4-03. This value will reset to 0 and start counting again after reaching 99999.</p> | No signal output available | 1 h | – |
| U4-04 (7EH) | Cooling Fan Maintenance | <p>All Modes</p> <p>Displays main cooling fan usage time in as a percentage of its expected performance life. Parameter o4-03 can be used to reset this monitor.</p> | No signal output available | 1% | – |
| U4-05 (7CH) | Capacitor Maintenance | <p>All Modes</p> <p>Displays main circuit capacitor usage time in as a percentage of their expected performance life. Parameter o4-05 can be used to reset this monitor.</p> | No signal output available | 1% | – |
| U4-06 (7D6H) | Soft Charge Bypass Relay Maintenance | <p>All Modes</p> <p>Displays the soft charge bypass relay maintenance time as a percentage of its estimated performance life. Parameter o4-07 can be used to reset this monitor.</p> | No signal output available | 1% | – |
| U4-07 (7D7H) | IGBT Maintenance | <p>All Modes</p> <p>Displays IGBT usage time as a percentage of the expected performance life. Parameter o4-09 can be used to reset this monitor.</p> | No signal output available | 1% | – |
| U4-08 (68H) | Heatsink Temperature | <p>All Modes</p> <p>Displays the heatsink temperature.</p> | 10 V: 100°C | 1°C | – |
| U4-09 (5EH) | LED Check | <p>All Modes</p> <p>Lights all segments of the LED to verify that the display is working properly.</p> | No signal output available | – | – |

| No. (Addr.) | Name | Description | Analog Output Level | Unit | Page |
|--------------|---|---|----------------------------|----------------|------|
| U4-10 (5CH) | kWh, Lower 4 Digits | All Modes Monitors the drive output power. The value is shown as a 9 digit number displayed across two monitor parameters, U4-10 and U4-11. Example: 12345678.9 kWh is displayed as: U4-10: 678.9 kWh U4-11: 12345 MWh | No signal output available | 1 kWh | - |
| U4-11 (5DH) | kWh, Upper 5 Digits | | No signal output available | 1 MWh | - |
| U4-13 (7CFH) | Peak Hold Current | All Modes Displays the highest current value that occurred during run. | No signal output available | 0.01 A <50> | - |
| U4-14 (7DOH) | Peak Hold Output Frequency | All Modes Displays the output frequency when the current value shown in U4-13 occurred. | No signal output available | 0.01 Hz | - |
| U4-16 (7D8H) | Motor Overload Estimate (oL1) | All Modes Shows the value of the motor overload detection accumulator. 100% is equal to the oL1 detection level. | 10 V: 100% | 0.1% | - |
| U4-18 (7DAH) | Frequency Reference Source Selection | All Modes Displays the source for the frequency reference as XY-nn. X: indicates which reference is used: 1 = Reference 1 (b1-01) 2 = Reference 2 (b1-15) Y-nn: indicates the reference source 0-01 = Digital operator 1-01 = Analog (terminal A1) 1-02 = Analog (terminal A2) 1-03 = Analog (terminal A3) 2-02 to 17 = Multi-step speed (d1-02 to 17) 3-01 = MEMOBUS/Modbus communications 4-01 = Communication option card 5-01 = Pulse input 7-01 = DWEZ. | No signal output available | - | - |
| U4-19 (7DBH) | Frequency Reference from MEMOBUS/Modbus Comm. | All Modes Displays the frequency reference provided by MEMOBUS/Modbus (decimal). | No signal output available | 0.01% | - |
| U4-20 (7DCH) | Option Frequency Reference | All Modes Displays the frequency reference input by an option card (decimal). | No signal output available | - | - |
| U4-21 (7DDH) | Run Command Source Selection | All Modes Displays the source for the Run command as XY-nn. X: Indicates which Run source is used: 1 = Reference 1 (b1-02) 2 = Reference 2 (b1-16) Y: Input power supply data 0 = Digital operator 1 = External terminals 3 = MEMOBUS/Modbus communications 4 = Communication option card 7 = DWEZ nn: Run command limit status data 00: No limit status. 01: Run command was left on when stopped in the PRG mode 02: Run command was left on when switching from LOCAL to REMOTE operation 03: Waiting for soft charge bypass contactor after power up (Uv or Uv1 flashes after 10 s) 04: Waiting for "Run command prohibited" time period to end 05: Fast Stop (digital input, digital operator) 06: b1-17 (Run command given at power-up) 07: During baseblock while coast to stop with timer 08: Frequency reference is below minimal reference during baseblock 09: Waiting for Enter command | No signal output available | - | - |
| U4-22 (7DEH) | MEMOBUS/Modbus Communications Reference | All Modes Displays the drive control data set by MEMOBUS/Modbus communications register no. 0001H as a four-digit hexadecimal number. | No signal output available | - | - |
| U4-23 (7DFH) | Communication Option Card Reference | All Modes Displays drive control data set by an option card as a four-digit hexadecimal number. | No signal output available | - | - |

<50> When reading the value of this monitor via MEMOBUS/Modbus a value of 8192 is equal to 100% of the drive rated output current.

■ U5: PID Monitors

| No. (Addr.) | Name | Description | Analog Output Level | Unit | Page |
|-------------|--------------|---|---------------------|-------|------|
| U5-01 (57H) | PID Feedback | All Modes Displays the PID feedback value. | 10 V: 100% | 0.01% | - |
| U5-02 (63H) | PID Input | All Modes Displays the amount of PID input (deviation between PID setpoint and feedback). | 10 V: 100% | 0.01% | - |

B.3 Parameter Table

| No. (Addr.) | Name | Description | Analog Output Level | Unit | Page |
|--------------|---------------------------|--|---------------------|-------|------|
| U5-03 (64H) | PID Output | All Modes Displays PID control output. | 10 V: 100% | 0.01% | – |
| U5-04 (65H) | PID Setpoint | All Modes Displays the PID setpoint. | 10 V: 100% | 0.01% | – |
| U5-05 (7D2H) | PID Differential Feedback | All Modes Displays the 2nd PID feedback value if differential feedback is used (H3-□□ = 16). | 10 V: 100% | 0.01% | – |
| U5-06 (7D3H) | PID Adjusted Feedback | All Modes Displays the difference of both feedback values if differential feedback is used (U5-01 - U5-05). If differential feedback is not used, then U5-01 and U5-06 will be the same. | 10 V: 100% | 0.01% | – |

■ U6: Operation Status Monitors

| No. (Addr.) | Name | Description | Analog Output Level | Unit | Page |
|--------------|---|---|-------------------------------------|---------|------|
| U6-01 (51H) | Motor Secondary Current (Iq) | All Modes Displays the value of the motor secondary current (Iq). Motor rated secondary current is 100%. | 10 V: Motor secondary rated current | 0.1% | – |
| U6-02 (52H) | Motor Excitation Current (Id) | V/f V/f w/PG OLV CLV OLV/PM AOLV/PM CLV/PM Displays the value calculated for the motor excitation current (Id). Motor rated secondary current is 100%. | 10 V: Motor secondary rated current | 0.1% | – |
| U6-03 (54H) | ASR Input | V/f V/f w/PG OLV CLV | 10 V: Max frequency | 0.01% | – |
| U6-04 (55H) | ASR Output | OLV/PM AOLV/PM CLV/PM Displays the input and output values when using ASR control. | 10 V: Motor secondary rated current | | |
| U6-05 (59H) | Output Voltage Reference (Vq) | V/f V/f w/PG OLV CLV OLV/PM AOLV/PM CLV/PM Output voltage reference (Vq) for the q-axis. | 10 V: 200 Vrms <18> | 0.1 Vac | – |
| U6-06 (5AH) | Output Voltage Reference (Vd) | V/f V/f w/PG OLV CLV OLV/PM AOLV/PM CLV/PM Output voltage reference (Vd) for the d-axis. | 10 V: 200 Vrms <18> | 0.1 Vac | – |
| U6-07 (5FH) | q-Axis ACR Output | V/f V/f w/PG OLV CLV OLV/PM AOLV/PM CLV/PM Displays the output value for current control relative to motor secondary current (q-axis). | 10 V: 200 Vrms <18> | 0.1% | – |
| U6-08 (60H) | d-Axis ACR Output | V/f V/f w/PG OLV CLV OLV/PM AOLV/PM CLV/PM Displays the output value for current control relative to motor secondary current (d-axis). | 10 V: 200 Vrms <18> | 0.1% | – |
| U6-09 (7C0H) | Advance Phase Compensation ($\Delta\theta$) | V/f V/f w/PG OLV CLV OLV/PM AOLV/PM CLV/PM Displays the degree of forward phase correction after calculating the deviation of $\Delta\theta_{cmp}$. | 10 V: 180 deg –10 V: –180 deg | 0.1 deg | |
| U6-10 (7C1H) | Control Axis Deviation ($\Delta\theta$) | V/f V/f w/PG OLV CLV OLV/PM AOLV/PM CLV/PM Displays the amount of deviation between the actual d-axis / q-axis and the γ -axis / δ -axis used for motor control. | 10 V: 180 deg –10 V: –180 deg | 0.1 deg | |
| U6-13 (7CAH) | Flux Position Detection (sensor) | V/f V/f w/PG OLV CLV OLV/PM AOLV/PM CLV/PM Monitors the value of the flux position detection (sensor). | 10 V: 180 deg –10 V: –180 deg | 0.1 deg | |
| U6-14 (7CBH) | Flux Position Estimation (observer) | V/f V/f w/PG OLV CLV OLV/PM AOLV/PM CLV/PM Monitors the value of the flux position estimation. | 10 V: 180 deg –10 V: –180 deg | 0.1 deg | |
| U6-18 (7CDH) | Speed Detection PG1 Counter | All Modes Monitors the number of pulses for speed detection (PG1). | 10 V: 65536 | 1 pulse | |
| U6-19 (7E5H) | Speed Detection PG2 Counter | All Modes Monitors the number of pulses for speed detection (PG2). | 10 V: 65536 | 1 pulse | |
| U6-20 (7D4H) | Frequency Reference Bias (Up/Down 2) | All Modes Displays the bias value used to adjust the frequency reference. | 10 V: Max frequency | 0.1% | – |
| U6-21 (7D5H) | Offset Frequency | All Modes Displays the frequency added to the main frequency reference. | – | 0.1% | – |

| No. (Addr.) | Name | Description | Analog Output Level | Unit | Page |
|----------------|-----------------------------|--|-------------------------------------|-------|------|
| U6-22 (62H) | Zero Servo Pulse Movement | <div style="display: flex; justify-content: space-between; align-items: center;"> V/f V/f w/PG OLV CLV </div> <div style="display: flex; justify-content: space-between; align-items: center;"> OLV/PM AOLV/PM CLV/PM </div> <p>Displays how far the rotor has moved from its last position in PG pulses (multiplied by 4).</p> | 10 V: No. of pulses per revolution | 1 | – |
| U6-25 (6BH) | Feedback Control Output | <div style="display: flex; justify-content: space-between; align-items: center;"> V/f V/f w/PG OLV CLV </div> <div style="display: flex; justify-content: space-between; align-items: center;"> OLV/PM AOLV/PM CLV/PM </div> <p>Output monitor for the ASR speed loop.</p> | 10 V: Motor secondary rated current | 0.01% | – |
| U6-26 (6CH) | Feed Forward Control Output | <div style="display: flex; justify-content: space-between; align-items: center;"> V/f V/f w/PG OLV CLV </div> <div style="display: flex; justify-content: space-between; align-items: center;"> OLV/PM AOLV/PM CLV/PM </div> <p>Output monitor for Feed Forward control.</p> | 10 V: Motor secondary rated current | 0.01% | – |

<18> Values shown here are for 200 V class drives. Double the value when using a 400 V class drive.

■ U8: DriveWorksEZ Monitors

| No. (Addr.) | Name | Description | Analog Output Level | Unit | Page |
|--|---|--|----------------------------|-------|------|
| U8-01 to U8-10 (1950H to 1959H) | DriveWorksEZ Custom Monitor 1 to 10 | <div style="display: flex; align-items: center;"> All Modes </div> <p>DriveWorksEZ Custom Monitor 1 to 10</p> | 10 V: 100% | 0.01% | – |
| U8-11 to U8-13 (195AH to 195CH) | DriveWorksEZ Version Control Monitor 1 to 3 | <div style="display: flex; align-items: center;"> All Modes </div> <p>DriveWorksEZ Version Control Monitor 1 to 3</p> | No signal output available | – | – |

B.4 Control Mode Dependent Parameter Default Values

The tables below list parameters that depend on the control mode selection (A1-02 for motor 1, E3-01 for motor 2). These parameters are initialized to the shown values if the control mode is changed.

◆ A1-02 (Motor 1 Control Mode) Dependent Parameters

Table B.2 A1-02 (Motor 1 Control Mode) Dependent Parameters and Default Values

| No. | Name | Setting Range | Resolution | Control Modes (A1-02) | | | |
|-------------------|---|-----------------|------------|-----------------------|--------------|---|---|
| | | | | V/f (0) | V/f w/PG (1) | OLV (2) | CLV (3) |
| b2-01 | DC Injection Braking Start Frequency | 0.0 to 10.0 | 0.1 | 0.5 Hz | 0.5 Hz | 0.5 Hz | 0.5 Hz |
| b2-04 | DC Injection Braking Time at Stop | 0.00 to 10.00 | 0.01 s | 0.50 | 0.50 | 0.50 | 0.50 |
| b3-01 | Speed Search Selection at Start | 0 to 1 | – | 0 | 1 | 0 | 1 |
| b3-02 | Speed Search Deactivation Current | 0 to 200 | 1% | 120 | – | 100 | – |
| b3-14 | Bi-Directional Speed Search Selection | 0 to 1 | 1 | 1 | 0 | 1 | 1 |
| b8-01 | Energy Saving Control Selection | 0 to 1 | – | 0 | 0 | 0 | 0 |
| b8-02 | Energy Saving Gain | 0.0 to 10.0 | 0.1 | – | – | 0.7 | 1.0 |
| b8-03 | Energy Saving Control Filter Time Constant | 0.00 to 10.00 | 0.01 s | – | – | 0.50, 2.00 (Motor Capacity: 55 kW and above) | 0.01, 0.05 (Motor Capacity: 55 kW and above) |
| C2-01 | S-Curve Time at Acceleration Start | 0.00 to 10.00 | 0.01 s | 0.20 | 0.20 | 0.20 | 0.20 |
| C3-01 | Slip Compensation Gain | 0.0 to 2.5 | 0.1 | 0.0 | – | 1.0 | 1.0 |
| C3-02 | Slip Compensation Primary Delay Time | 0 to 10000 | 1 ms | 2000 | – | 200 | – |
| C4-01 | Torque Compensation Gain | 0.00 to 2.50 | 0.01 | 1.00 | 1.00 | 1.00 | – |
| C4-02 | Torque Compensation Primary Delay Time | 0 to 10000 | 1 ms | 200 | 200 | 20 | – |
| C5-01 | ASR Proportional Gain 1 | 0.00 to 300.00 | 0.01 | – | 0.20 | – | 20.00 |
| C5-02 | ASR Integral Time 1 | 0.000 to 10.000 | 0.001 s | – | 0.200 | – | 0.500 |
| C5-03 | ASR Proportional Gain 2 | 0.00 to 300.00 | 0.01 | – | 0.02 | – | 20.00 |
| C5-04 | ASR Integral Time 2 | 0.000 to 10.000 | 0.001 s | – | 0.050 | – | 0.500 |
| C5-06 | ASR Primary Delay Time Constant | 0.000 to 0.500 | 0.001 s | – | – | – | 0.004 |
| C6-02 | Carrier Frequency Selection | 1 to F | – | 7 <9> | 7 <9> | 7 <9> | 7 <9> |
| E1-04 to E1-10 | The default setting of these parameters depends on the control mode but also on the drive capacity. Refer to V/f Pattern Default Values on page 456 . | | | | | | |
| F1-05 | PG 1 Rotation Selection | 0 to 1 | – | 0 | 0 | 0 | 0 |
| F1-09 | Overspeed Detection Delay Time | 0.0 to 2.0 | 0.1 s | – | 1.0 | – | 0.0 |
| L1-01 | Motor Overload Protection Selection | 0 to 4 | – | 1 | 1 | 1 | 1 |
| L3-20 | DC Bus Voltage Adjustment Gain | 0.00 to 5.00 | 0.01 | 1.00 | 1.00 | 0.30 | 0.30 |
| L3-21 | Accel/Decel Rate Calculation Gain | 0.00 to 10.00 | 0.01 | 1.00 | 1.00 | 1.00 | 1.00 |
| L4-02 | Speed Agreement Detection Width | 0.0 to 20.0 | 0.1 | 2.0 Hz | 2.0 Hz | 2.0 Hz | 2.0 Hz |
| L4-04 | Speed Agreement Detection Width (+/-) | 0.0 to 20.0 | 0.1 | 2.0 Hz | 2.0 Hz | 2.0 Hz | 2.0 Hz |
| L8-38 | Carrier Frequency Reduction Selection | 0 to 2 | 1 | <9> | <9> | <9> | <9> |
| L8-40 | Carrier Frequency Reduction Off Delay Time | 0.00 to 2.00 | 0.01 s | 0.50 | 0.50 | 0.50 | 0.50 |
| o1-03 | Digital Operator Display Selection | 0 to 3 | 1 | 0 | 0 | 0 | 0 |
| o1-04 | V/f Pattern Display Unit | 0 to 1 | 1 | – | – | – | 0 |

<9> Default setting is determined by the drive model (o2-04) and duty selection (C6-01).

Table B.3 A1-02 (Motor 1 Control Mode) Dependent Parameters and Default Values

| No. | Name | Setting Range | Resolution | Control Modes (A1-02) | | |
|----------------|---|-----------------|------------|-----------------------|-------------|------------|
| | | | | OLV/PM (5) | AOLV/PM (6) | CLV/PM (7) |
| b2-01 | DC Injection Braking Start Frequency | 0.0 to 10.0 | 0.1 | 0.5 Hz | 1.0% <41> | 0.5% <41> |
| b2-04 | DC Injection Braking Time at Stop | 0.00 to 10.00 | 0.01 s | 0.00 | 0.00 | 0.00 |
| b3-01 | Speed Search Selection at Start | 0 to 1 | – | 0 | 0 | 1 |
| b3-02 | Speed Search Deactivation Current | 0 to 200 | 1% | – | – | – |
| b3-14 | Bi-Directional Speed Search Selection | 0 to 1 | 1 | 1 | 1 | 1 |
| b8-01 | Energy Saving Control Selection | 0 to 1 | – | – | 1 | 1 |
| b8-02 | Energy Saving Gain | 0.0 to 10.0 | 0.1 | – | – | – |
| b8-03 | Energy Saving Control Filter Time Constant | 0.00 to 10.00 | 0.01 s | – | – | – |
| C2-01 | S-Curve Time at Acceleration Start | 0.00 to 10.00 | 0.01 s | 1.00 | 1.00 | 1.00 |
| C3-01 | Slip Compensation Gain | 0.0 to 2.5 | 0.1 | – | – | – |
| C3-02 | Slip Compensation Primary Delay Time | 0 to 10000 | 1 ms | – | – | – |
| C4-01 | Torque Compensation Gain | 0.00 to 2.50 | 0.01 | 0.00 | 0.00 | 0.00 |
| C4-02 | Torque Compensation Primary Delay Time | 0 to 10000 | 1 ms | 100 | 100 | 100 |
| C5-01 | ASR Proportional Gain 1 | 0.00 to 300.00 | 0.01 | – | – | – |
| C5-02 | ASR Integral Time 1 | 0.000 to 10.000 | 0.001 s | – | – | – |
| C5-03 | ASR Proportional Gain 2 | 0.00 to 300.00 | 0.01 | – | – | – |
| C5-04 | ASR Integral Time 2 | 0.000 to 10.000 | 0.001 s | – | – | – |
| C5-06 | ASR Primary Delay Time Constant | 0.000 to 0.500 | 0.001 s | – | – | – |
| C6-02 | Carrier Frequency Selection | 1 to F | – | 2 | 2 | 2 |
| E1-04 to E1-10 | The default setting of these parameters depends on the control mode but also on the drive capacity. Refer to V/f Pattern Default Values on page 456 . | | | | | |
| F1-05 | PG 1 Rotation Selection | 0 to 1 | – | 1 | 1 | 1 |
| F1-09 | Overspeed Detection Delay Time | 0.0 to 2.0 | 0.1 s | – | – | – |
| L1-01 | Motor Overload Protection Selection | 0 to 4 | – | 4 | 4 | 4 |
| L3-20 | DC Bus Voltage Adjustment Gain | 0.00 to 5.00 | 0.01 | 0.65 | 0.65 | 0.65 |
| L3-21 | Accel/Decel Rate Calculation Gain | 0.00 to 10.00 | 0.01 | 2.50 | 2.50 | 2.50 |
| L4-02 | Speed Agreement Detection Width | 0.0 to 20.0 | 0.1 | 2.0Hz | 4.0% <41> | 4.0% <41> |
| L4-04 | Speed Agreement Detection Width (+/-) | 0.0 to 20.0 | 0.1 | 2.0Hz | 4.0% <41> | 4.0% <41> |
| L8-38 | Carrier Frequency Reduction Selection | 0 to 2 | 1 | 0 | 0 | 0 |
| L8-40 | Carrier Frequency Reduction Off Delay Time | 0.00 to 2.00 | 0.01s | 0.00 | 0.00 | 0.00 |
| o1-03 | Digital Operator Display Selection | 0 to 3 | 1 | 0 | 1 | 1 |
| o1-04 | V/f Pattern Display Unit | 0 to 1 | 1 | – | 1 | 1 |

<41> This default value is a calculated as a percentage of the maximum output frequency.

◆ **E3-01 (Motor 2 Control Mode) Dependent Parameters**

Table B.4 E3-01 (Motor 2 Control Mode) Dependent Parameters and Default Values

| No. | Name | Setting Range | Resolution | Control Modes (E3-01) | | | |
|----------------|---|---------------|------------|-----------------------|--------------|---------|---------|
| | | | | V/f (0) | V/f w/Pg (1) | OLV (2) | CLV (3) |
| E3-04 to E3-10 | The default setting of these parameters depends on the control mode but also on the drive capacity They are equivalent to the motor 1 settings. Refer to V/f Pattern Default Values on page 456 . | | | | | | |

B.5 V/f Pattern Default Values

The tables below show the V/f pattern settings default values depending on the control mode (A1-02) and the V/f pattern selection (E1-03 in V/f Control).

**Table B.5 E1-03 V/f Pattern Settings for Drive Capacity:
CIMR-A□2A0004 to CIMR-A□2A0021, CIMR-A□4A0002 to CIMR-A□4A0011**

| No. | Units | V/f | | | | | | | | | | | | | | | | OLV | CLV | OLV/PM AOLV/PM CLV/PM |
|---------------|-------|-------|-------|-------|-------|-------|-------|-------|-------|-------|-------|-------|-------|-------|-------|-------|-----------|-------|-------|-----------------------------|
| | | 0 | 1 | 2 | 3 | 4 | 5 | 6 | 7 | 8 | 9 | A | B | C | D | E | F <42> | | | |
| E1-03 | - | 0 | 1 | 2 | 3 | 4 | 5 | 6 | 7 | 8 | 9 | A | B | C | D | E | F <42> | OLV | CLV | OLV/PM AOLV/PM CLV/PM |
| E1-04 | Hz | 50.0 | 60.0 | 60.0 | 72.0 | 50.0 | 50.0 | 60.0 | 60.0 | 50.0 | 50.0 | 60.0 | 60.0 | 90.0 | 120.0 | 180.0 | 50.0 | 50.0 | 50.0 | <14> |
| E1-05 <18> | V | 200.0 | 200.0 | 200.0 | 200.0 | 200.0 | 200.0 | 200.0 | 200.0 | 200.0 | 200.0 | 200.0 | 200.0 | 200.0 | 200.0 | 200.0 | 200.0 | 200.0 | 200.0 | <14> |
| E1-06 | Hz | 50.0 | 60.0 | 50.0 | 60.0 | 50.0 | 50.0 | 60.0 | 60.0 | 50.0 | 50.0 | 60.0 | 60.0 | 60.0 | 60.0 | 60.0 | 50.0 | 50.0 | 50.0 | <14> |
| E1-07 | Hz | 2.5 | 3.0 | 3.0 | 3.0 | 25.0 | 25.0 | 30.0 | 30.0 | 2.5 | 2.5 | 3.0 | 3.0 | 3.0 | 3.0 | 3.0 | 2.5 | 3.0 | 0.0 | - |
| E1-08 <18> | V | 15.0 | 15.0 | 15.0 | 15.0 | 35.0 | 50.0 | 35.0 | 50.0 | 19.0 | 24.0 | 19.0 | 24.0 | 15.0 | 15.0 | 15.0 | 15.0 | 14.4 | 0.0 | - |
| E1-09 | Hz | 1.3 | 1.5 | 1.5 | 1.5 | 1.3 | 1.3 | 1.5 | 1.5 | 1.3 | 1.3 | 1.5 | 1.5 | 1.5 | 1.5 | 1.5 | 1.3 | 0.5 | 0.0 | <14> |
| E1-10 <18> | V | 9.0 | 9.0 | 9.0 | 9.0 | 8.0 | 9.0 | 8.0 | 9.0 | 11.0 | 13.0 | 11.0 | 15.0 | 9.0 | 9.0 | 9.0 | 9.0 | 3.0 | 0.0 | - |

<14> Default setting value is dependent on the motor code set to parameter E5-01.

<18> Values shown here are for 200 V class drives. Double the value when using a 400 V class drive.

<42> Default settings for E1-04 through E1-10 (E2-04 through E2-10 for motor 2).

**Table B.6 E1-03 V/f Pattern Settings for Drive Capacity:
CIMR-A□2A0030 to CIMR-A□2A0211, CIMR-A□4A0018 to CIMR-A□4A0103**

| No. | Units | V/f | | | | | | | | | | | | | | | | OLV | CLV | OLV/PM AOLV/PM CLV/PM |
|---------------|-------|-------|-------|-------|-------|-------|-------|-------|-------|-------|-------|-------|-------|-------|-------|-------|-----------|-------|-------|-----------------------------|
| | | 0 | 1 | 2 | 3 | 4 | 5 | 6 | 7 | 8 | 9 | A | B | C | D | E | F <42> | | | |
| E1-03 | - | 0 | 1 | 2 | 3 | 4 | 5 | 6 | 7 | 8 | 9 | A | B | C | D | E | F <42> | OLV | CLV | OLV/PM AOLV/PM CLV/PM |
| E1-04 | Hz | 50.0 | 60.0 | 60.0 | 72.0 | 50.0 | 50.0 | 60.0 | 60.0 | 50.0 | 50.0 | 60.0 | 60.0 | 90.0 | 120.0 | 180.0 | 50.0 | 50.0 | 50.0 | <14> |
| E1-05 <18> | V | 200.0 | 200.0 | 200.0 | 200.0 | 200.0 | 200.0 | 200.0 | 200.0 | 200.0 | 200.0 | 200.0 | 200.0 | 200.0 | 200.0 | 200.0 | 200.0 | 200.0 | 200.0 | <14> |
| E1-06 | Hz | 50.0 | 60.0 | 50.0 | 60.0 | 50.0 | 50.0 | 60.0 | 60.0 | 50.0 | 50.0 | 60.0 | 60.0 | 60.0 | 60.0 | 60.0 | 50.0 | 50.0 | 50.0 | <14> |
| E1-07 | Hz | 2.5 | 3.0 | 3.0 | 3.0 | 25.0 | 25.0 | 30.0 | 30.0 | 2.5 | 2.5 | 3.0 | 3.0 | 3.0 | 3.0 | 3.0 | 2.5 | 3.0 | 0.0 | - |
| E1-08 <18> | V | 14.0 | 14.0 | 14.0 | 14.0 | 35.0 | 50.0 | 35.0 | 50.0 | 18.0 | 23.0 | 18.0 | 23.0 | 14.0 | 14.0 | 14.0 | 14.0 | 13.2 | 0.0 | - |
| E1-09 | Hz | 1.3 | 1.5 | 1.5 | 1.5 | 1.3 | 1.3 | 1.5 | 1.5 | 1.3 | 1.3 | 1.5 | 1.5 | 1.5 | 1.5 | 1.5 | 1.3 | 0.5 | 0.0 | <14> |
| E1-10 <18> | V | 7.0 | 7.0 | 7.0 | 7.0 | 6.0 | 7.0 | 6.0 | 7.0 | 9.0 | 11.0 | 9.0 | 13.0 | 7.0 | 7.0 | 7.0 | 7.0 | 2.4 | 0.0 | - |

<14> Default setting value is dependent on the motor code set to parameter E5-01.

<18> Values shown here are for 200 V class drives. Double the value when using a 400 V class drive.

<42> Default settings for E1-04 through E1-10 (E2-04 through E2-10 for motor 2).

**Table B.7 E1-03 V/f Pattern Settings for Drive Capacity:
CIMR-A□2A0250 to CIMR-A□2A0415, CIMR-A□4A0139 to CIMR-A□4A0675**

| No. | Units | V/f | | | | | | | | | | | | | | | | OLV | CLV | OLV/PM AOLV/PM CLV/PM |
|---------------|-------|-------|-------|-------|-------|-------|-------|-------|-------|-------|-------|-------|-------|-------|-------|-------|-----------|-------|-------|-----------------------------|
| | | 0 | 1 | 2 | 3 | 4 | 5 | 6 | 7 | 8 | 9 | A | B | C | D | E | F <42> | | | |
| E1-03 | - | 0 | 1 | 2 | 3 | 4 | 5 | 6 | 7 | 8 | 9 | A | B | C | D | E | F <42> | OLV | CLV | OLV/PM AOLV/PM CLV/PM |
| E1-04 | Hz | 50.0 | 60.0 | 60.0 | 72.0 | 50.0 | 50.0 | 60.0 | 60.0 | 50.0 | 50.0 | 60.0 | 60.0 | 90.0 | 120.0 | 180.0 | 50.0 | 50.0 | 50.0 | <14> |
| E1-05 <18> | V | 200.0 | 200.0 | 200.0 | 200.0 | 200.0 | 200.0 | 200.0 | 200.0 | 200.0 | 200.0 | 200.0 | 200.0 | 200.0 | 200.0 | 200.0 | 200.0 | 200.0 | 200.0 | <14> |
| E1-06 | Hz | 50.0 | 60.0 | 50.0 | 60.0 | 50.0 | 50.0 | 60.0 | 60.0 | 50.0 | 50.0 | 60.0 | 60.0 | 60.0 | 60.0 | 60.0 | 50.0 | 50.0 | 50.0 | <14> |
| E1-07 | Hz | 2.5 | 3.0 | 3.0 | 3.0 | 25.0 | 25.0 | 30.0 | 30.0 | 2.5 | 2.5 | 3.0 | 3.0 | 3.0 | 3.0 | 3.0 | 2.5 | 3.0 | 0.0 | - |
| E1-08 <18> | V | 12.0 | 12.0 | 12.0 | 12.0 | 35.0 | 50.0 | 35.0 | 50.0 | 15.0 | 20.0 | 15.0 | 20.0 | 12.0 | 12.0 | 12.0 | 12.0 | 13.2 | 0.0 | - |
| E1-09 | Hz | 1.3 | 1.5 | 1.5 | 1.5 | 1.3 | 1.3 | 1.5 | 1.5 | 1.3 | 1.3 | 1.5 | 1.5 | 1.5 | 1.5 | 1.5 | 1.3 | 0.5 | 0.0 | <14> |
| E1-10 <18> | V | 6.0 | 6.0 | 6.0 | 6.0 | 5.0 | 6.0 | 5.0 | 6.0 | 7.0 | 9.0 | 7.0 | 11.0 | 6.0 | 6.0 | 6.0 | 6.0 | 2.4 | 0.0 | - |

<14> Default setting value is dependent on the motor code set to parameter E5-01.

<18> Values shown here are for 200 V class drives. Double the value when using a 400 V class drive.

<42> Default settings for E1-04 through E1-10 (E2-04 through E2-10 for motor 2).

B.6 Defaults by Drive Model Selection (o2-04) and ND/HD (C6-01)

The following tables show parameters and default settings that change with the drive model selection (o2-04). Parameter numbers shown in parenthesis are valid for motor 2.

Table B.8 200 V Class Drives Default Settings by Drive Model Selection and ND/HD settings

| No. | Name | Unit | Default Settings | | | | | | | |
|---------------|--|------------------|------------------|--------|--------|--------|--------|--------|--------|--------|
| | | | Model CIMR-A□ | | 2A0004 | | 2A0006 | | 2A0010 | |
| C6-01 | Drive Duty Selection | - | HD | ND | HD | ND | HD | ND | HD | ND |
| | | | 0 | 1 | 0 | 1 | 0 | 1 | 0 | 1 |
| o2-04 | Drive Model Selection | Hex. | 62 | | 63 | | 65 | | 66 | |
| E2-11 (E4-11) | Motor rated Output | kW | 0.4 | 0.75 | 0.75 | 1.1 | 1.5 | 2.2 | 2.2 | 3.0 |
| b3-04 | V/f Gain during Speed Search | % | 100 | 100 | 100 | 100 | 100 | 100 | 100 | 100 |
| b3-06 | Output Current I during Speed Search | - | 1 | 1 | 0.5 | 0.5 | 0.5 | 0.5 | 0.5 | 0.5 |
| b8-03 | Energy Saving Control Filter Time Constant | s | 0.50 | 0.50 | 0.50 | 0.50 | 0.50 | 0.50 | 0.50 | 0.50 |
| b8-04 | Energy Saving Coefficient Value | - | 288.2 | 223.7 | 223.7 | 196.6 | 169.4 | 156.8 | 156.8 | 136.4 |
| C5-17 (C5-37) | Motor Inertia | kgm ² | 0.0015 | 0.0028 | 0.0028 | 0.0068 | 0.0068 | 0.0088 | 0.0088 | 0.0158 |
| C6-02 | Carrier Frequency Selection | - | 1 | 7 | 1 | 7 | 1 | 7 | 1 | 7 |
| E2-01 (E4-01) | Motor Rated Current | A | 1.9 | 3.3 | 3.3 | 4.9 | 6.2 | 8.5 | 8.5 | 11.4 |
| E2-02 (E4-02) | Motor Rated Slip | Hz | 2.9 | 2.5 | 2.5 | 2.6 | 2.6 | 2.9 | 2.9 | 2ΔD7 |
| E2-03 (E4-03) | Motor No-Load Current | A | 1.2 | 1.8 | 1.8 | 2.3 | 2.8 | 3 | 3 | 3.7 |
| E2-05 (E4-05) | Motor Line to Line Resistance | Ω | 9.842 | 5.156 | 5.156 | 3.577 | 1.997 | 1.601 | 1.601 | 1.034 |
| E2-06 (E4-06) | Motor Leakage Inductance | % | 18.2 | 13.8 | 13.8 | 18.5 | 18.5 | 18.4 | 18.4 | 19 |
| E2-10 (E4-10) | Motor Iron Loss for Torque Compensation | W | 14 | 26 | 26 | 38 | 53 | 77 | 77 | 91 |
| E5-01 | Motor Code Selection | Hex. | 1202 | 1202 | 1203 | 1203 | 1205 | 1205 | 1206 | 1206 |
| L2-02 | Momentary Power Loss Ride-Thru Time | s | 0.1 | 0.1 | 0.2 | 0.2 | 0.3 | 0.3 | 0.5 | 0.5 |
| L2-03 | Momentary Power Loss Minimum Baseblock Time | s | 0.2 | 0.3 | 0.3 | 0.4 | 0.4 | 0.5 | 0.5 | 0.5 |
| L2-04 | Momentary Power Loss Voltage Recovery Time | s | 0.3 | 0.3 | 0.3 | 0.3 | 0.3 | 0.3 | 0.3 | 0.3 |
| L3-24 | Motor Acceleration Time for Inertia Calculations | s | 0.178 | 0.142 | 0.142 | 0.142 | 0.166 | 0.145 | 0.145 | 0.145 |
| L8-02 | Overheat Alarm Level | °C | 115 | 115 | 115 | 115 | 115 | 115 | 125 | 125 |
| L8-35 | Installation Method Selection | - | 2 | 2 | 2 | 2 | 2 | 2 | 2 | 2 |
| L8-38 | Carrier Frequency Reduction Selection | - | 2 | 2 | 2 | 2 | 2 | 2 | 2 | 2 |
| n1-03 | Hunting Prevention Time Constant | ms | 10 | 10 | 10 | 10 | 10 | 10 | 10 | 10 |
| n5-02 | Motor Acceleration Time | s | 0.178 | 0.142 | 0.142 | 0.142 | 0.166 | 0.145 | 0.145 | 0.145 |

| No. | Name | Unit | Default Settings | | | | | | | |
|---------------|--|------------------|------------------|--------|--------|-------|--------|-------|--------|-------|
| | | | Model CIMR-A□ | | 2A0021 | | 2A0030 | | 2A0040 | |
| C6-01 | Drive Duty Selection | - | HD | ND | HD | ND | HD | ND | HD | ND |
| | | | 0 | 1 | 0 | 1 | 0 | 1 | 0 | 1 |
| o2-04 | Drive Model Selection | Hex. | 68 | | 6A | | 6B | | 6D | |
| E2-11 (E4-11) | Motor rated Output | kW | 3.7 | 5.5 | 5.5 | 7.5 | 7.5 | 11 | 11 | 15 |
| b3-04 | V/f Gain during Speed Search | % | 100 | 100 | 100 | 100 | 100 | 100 | 100 | 100 |
| b3-06 | Output Current I during Speed Search | - | 0.5 | 0.5 | 0.5 | 0.5 | 0.5 | 0.5 | 0.5 | 0.5 |
| b8-03 | Energy Saving Control Filter Time Constant | s | 0.50 | 0.50 | 0.50 | 0.50 | 0.50 | 0.50 | 0.50 | 0.50 |
| b8-04 | Energy Saving Coefficient Value | - | 122.9 | 94.75 | 94.75 | 72.69 | 72.69 | 70.44 | 70.44 | 63.13 |
| C5-17 (C5-37) | Motor Inertia | kgm ² | 0.0158 | 0.0255 | 0.026 | 0.037 | 0.037 | 0.053 | 0.053 | 0.076 |
| C6-02 | Carrier Frequency Selection | - | 1 | 7 | 1 | 7 | 1 | 7 | 1 | 7 |
| E2-01 (E4-01) | Motor Rated Current | A | 14 | 19.6 | 19.6 | 26.6 | 26.6 | 39.7 | 39.7 | 53 |
| E2-02 (E4-02) | Motor Rated Slip | Hz | 2.73 | 1.5 | 1.5 | 1.3 | 1.3 | 1.7 | 1.7 | 1.6 |
| E2-03 (E4-03) | Motor No-Load Current | A | 4.5 | 5.1 | 5.1 | 8 | 8 | 11.2 | 11.2 | 15.2 |
| E2-05 (E4-05) | Motor Line to Line Resistance | Ω | 0.771 | 0.399 | 0.399 | 0.288 | 0.288 | 0.23 | 0.23 | 0.138 |
| E2-06 (E4-06) | Motor Leakage Inductance | % | 19.6 | 18.2 | 18.2 | 15.5 | 15.5 | 19.5 | 19.5 | 17.2 |
| E2-10 (E4-10) | Motor Iron Loss for Torque Compensation | W | 112 | 172 | 172 | 262 | 262 | 245 | 245 | 272 |
| E5-01 | Motor Code Selection | Hex. | 1208 | 1208 | 120A | 120A | 120B | 120B | 120D | 120D |
| L2-02 | Momentary Power Loss Ride-Thru Time | s | 1 | 1 | 1 | 1 | 1 | 1 | 2 | 2 |
| L2-03 | Momentary Power Loss Minimum Baseblock Time | s | 0.6 | 0.7 | 0.7 | 0.8 | 0.8 | 0.9 | 0.9 | 1 |
| L2-04 | Momentary Power Loss Voltage Recovery Time | s | 0.3 | 0.3 | 0.3 | 0.3 | 0.3 | 0.3 | 0.3 | 0.6 |
| L3-24 | Motor Acceleration Time for Inertia Calculations | s | 0.154 | 0.168 | 0.168 | 0.175 | 0.175 | 0.265 | 0.265 | 0.244 |
| L8-02 | Overheat Alarm Level | °C | 110 | 110 | 120 | 120 | 125 | 125 | 120 | 120 |
| L8-35 | Installation Method Selection | - | 2 | 2 | 2 | 2 | 2 | 2 | 2 | 2 |
| L8-38 | Carrier Frequency Reduction Selection | - | 2 | 2 | 2 | 2 | 2 | 2 | 2 | 2 |
| n1-03 | Hunting Prevention Time Constant | ms | 10 | 10 | 10 | 10 | 10 | 10 | 10 | 10 |
| n5-02 | Motor Acceleration Time | s | 0.154 | 0.168 | 0.168 | 0.175 | 0.175 | 0.265 | 0.265 | 0.244 |

Parameter List

B

B.6 Defaults by Drive Model Selection (o2-04) and ND/HD (C6-01)

| No. | Name | Unit | Default Settings | | | | | | | |
|---------------|--|------------------|------------------|-------|--------|-------|--------|-------|--------|-------|
| | | | 2A0069 | | 2A0081 | | 2A0110 | | 2A0138 | |
| Model CIMR-A□ | | | - | | | | | | | |
| C6-01 | Drive Duty Selection | - | HD | ND | HD | ND | HD | ND | HD | ND |
| | | | 0 | 1 | 0 | 1 | 0 | 1 | 0 | 1 |
| o2-04 | Drive Model Selection | Hex. | 6E | | 6F | | 70 | | 72 | |
| E2-11 (E4-11) | Motor rated Output | kW | 15 | 18.5 | 18.5 | 22 | 22 | 30 | 30 | 37 |
| b3-04 | V/f Gain during Speed Search | % | 100 | 100 | 100 | 100 | 100 | 80 | 80 | 80 |
| b3-06 | Output Current 1 during Speed Search | - | 0.5 | 0.5 | 0.5 | 0.5 | 0.5 | 0.5 | 0.5 | 0.5 |
| b8-03 | Energy Saving Control Filter Time Constant | s | 0.50 | 0.50 | 0.50 | 0.50 | 0.50 | 0.50 | 0.50 | 0.50 |
| b8-04 | Energy Saving Coefficient Value | - | 63.13 | 57.87 | 57.87 | 51.79 | 51.79 | 46.27 | 46.27 | 38.16 |
| C5-17 (C5-37) | Motor Inertia | kgm ² | 0.076 | 0.138 | 0.138 | 0.165 | 0.165 | 0.220 | 0.220 | 0.273 |
| C6-02 | Carrier Frequency Selection | - | 1 | 7 | 1 | 7 | 1 | 7 | 1 | 7 |
| E2-01 (E4-01) | Motor Rated Current | A | 53 | 65.8 | 65.8 | 77.2 | 77.2 | 105 | 105 | 131 |
| E2-02 (E4-02) | Motor Rated Slip | Hz | 1.6 | 1.67 | 1.67 | 1.7 | 1.7 | 1.8 | 1.8 | 1.33 |
| E2-03 (E4-03) | Motor No-Load Current | A | 15.2 | 15.7 | 15.7 | 18.5 | 18.5 | 21.9 | 21.9 | 38.2 |
| E2-05 (E4-05) | Motor Line to Line Resistance | Ω | 0.138 | 0.101 | 0.101 | 0.079 | 0.079 | 0.064 | 0.064 | 0.039 |
| E2-06 (E4-06) | Motor Leakage Inductance | % | 17.2 | 15.7 | 20.1 | 19.5 | 19.5 | 20.8 | 20.8 | 18.8 |
| E2-10 (E4-10) | Motor Iron Loss for Torque Compensation | W | 272 | 505 | 505 | 538 | 538 | 699 | 699 | 823 |
| E5-01 | Motor Code Selection | Hex. | 120E | 120E | 120F | 120F | 1210 | 1210 | 1212 | 1212 |
| L2-02 | Momentary Power Loss Ride-Thru Time | s | 2 | 2 | 2 | 2 | 2 | 2 | 2 | 2 |
| L2-03 | Momentary Power Loss Minimum Baseblock Time | s | 1 | 1 | 1 | 1 | 1 | 1.1 | 1.1 | 1.1 |
| L2-04 | Momentary Power Loss Voltage Recovery Time | s | 0.6 | 0.6 | 0.6 | 0.6 | 0.6 | 0.6 | 0.6 | 0.6 |
| L3-24 | Motor Acceleration Time for Inertia Calculations | s | 0.244 | 0.317 | 0.317 | 0.355 | 0.355 | 0.323 | 0.323 | 0.32 |
| L8-02 | Overheat Alarm Level | °C | 120 | 120 | 125 | 125 | 130 | 130 | 130 | 130 |
| L8-35 | Installation Method Selection | - | 2 | 2 | 2 | 2 | 0 | 0 | 0 | 0 |
| L8-38 | Carrier Frequency Reduction Selection | - | 2 | 2 | 2 | 2 | 2 | 2 | 2 | 2 |
| n1-03 | Hunting Prevention Time Constant | ms | 10 | 10 | 10 | 10 | 10 | 10 | 10 | 10 |
| n5-02 | Motor Acceleration Time | s | 0.244 | 0.317 | 0.317 | 0.355 | 0.355 | 0.323 | 0.323 | 0.32 |

| No. | Name | Unit | Default Settings | | | | | |
|---------------|--|------------------|------------------|-------|--------|-------|--------|-------|
| | | | 2A0169 | | 2A0211 | | 2A0250 | |
| Model CIMR-A□ | | | - | | | | | |
| C6-01 | Drive Duty Selection | - | HD | ND | HD | ND | HD | ND |
| | | | 0 | 1 | 0 | 1 | 0 | 1 |
| o2-04 | Drive Model Selection | Hex. | 73 | | 74 | | 75 | |
| E2-11 (E4-11) | Motor rated Output | kW | 37 | 45 | 45 | 55 | 55 | 75 |
| b3-04 | V/f Gain during Speed Search | % | 80 | 80 | 80 | 80 | 80 | 80 |
| b3-06 | Output Current 1 during Speed Search | - | 0.5 | 0.5 | 0.5 | 0.5 | 0.5 | 0.7 |
| b8-03 | Energy Saving Control Filter Time Constant | s | 0.50 | 0.50 | 0.50 | 2.00 | 2.00 | 2.00 |
| b8-04 | Energy Saving Coefficient Value | - | 38.16 | 35.78 | 35.78 | 31.35 | 31.35 | 23.1 |
| C5-17 (C5-37) | Motor Inertia | kgm ² | 0.273 | 0.333 | 0.333 | 0.490 | 0.49 | 0.90 |
| C6-02 | Carrier Frequency Selection | - | 1 | 7 | 1 | 7 | 1 | 7 |
| E2-01 (E4-01) | Motor Rated Current | A | 131 | 160 | 160 | 190 | 190 | 260 |
| E2-02 (E4-02) | Motor Rated Slip | Hz | 1.33 | 1.6 | 1.6 | 1.43 | 1.43 | 1.39 |
| E2-03 (E4-03) | Motor No-Load Current | A | 38.2 | 44 | 44 | 45.6 | 45.6 | 72 |
| E2-05 (E4-05) | Motor Line to Line Resistance | Ω | 0.039 | 0.03 | 0.03 | 0.022 | 0.022 | 0.023 |
| E2-06 (E4-06) | Motor Leakage Inductance | % | 18.8 | 20.2 | 20.2 | 20.5 | 20.5 | 20 |
| E2-10 (E4-10) | Motor Iron Loss for Torque Compensation | W | 823 | 852 | 852 | 960 | 960 | 1200 |
| E5-01 | Motor Code Selection | Hex. | 1213 | 1213 | 1214 | 1214 | 1215 | 1215 |
| L2-02 | Momentary Power Loss Ride-Thru Time | s | 2 | 2 | 2 | 2 | 2 | 2 |
| L2-03 | Momentary Power Loss Minimum Baseblock Time | s | 1.1 | 1.2 | 1.2 | 1.3 | 1.3 | 1.5 |
| L2-04 | Momentary Power Loss Voltage Recovery Time | s | 0.6 | 1 | 1 | 1 | 1 | 1 |
| L3-24 | Motor Acceleration Time for Inertia Calculations | s | 0.32 | 0.387 | 0.387 | 0.317 | 0.317 | 0.533 |
| L8-02 | Overheat Alarm Level | °C | 130 | 130 | 125 | 125 | 115 | 115 |
| L8-35 | Installation Method Selection | - | 0 | 0 | 0 | 0 | 0 | 0 |
| L8-38 | Carrier Frequency Reduction Selection | - | 2 | 2 | 2 | 2 | 2 | 2 |
| n1-03 | Hunting Prevention Time Constant | ms | 10 | 10 | 10 | 10 | 10 | 10 |
| n5-02 | Motor Acceleration Time | s | 0.32 | 0.387 | 0.387 | 0.317 | 0.317 | 0.533 |

B.6 Defaults by Drive Model Selection (o2-04) and ND/HD (C6-01)

| No. | Name | Unit | Default Settings | | | | | |
|---------------|--|------------------|------------------|-------|--------|-------|--------|-------|
| | | | Model CIMR-A□ | | 2A0312 | | 2A0360 | |
| C6-01 | Drive Duty Selection | - | HD | ND | HD | ND | HD | ND |
| | | | 0 | 1 | 0 | 1 | 0 | 1 |
| o2-04 | Drive Model Selection | Hex. | 76 | | 77 | | 78 | |
| E2-11 (E4-11) | Motor rated Output | kW | 75 | 90 | 90 | 110 | 110 | 110 |
| b3-04 | V/f Gain during Speed Search | % | 80 | 80 | 80 | 80 | 80 | 80 |
| b3-06 | Output Current 1 during Speed Search | - | 0.7 | 0.7 | 0.7 | 0.7 | 0.7 | 0.7 |
| b8-03 | Energy Saving Control Filter Time Constant | s | 2.00 | 2.00 | 2.00 | 2.00 | 2.00 | 2.00 |
| b8-04 | Energy Saving Coefficient Value | - | 23.1 | 20.65 | 20.65 | 18.12 | 18.12 | 18.12 |
| C5-17 (C5-37) | Motor Inertia | kgm ² | 0.90 | 1.10 | 1.10 | 1.90 | 1.90 | 1.90 |
| C6-02 | Carrier Frequency Selection | - | 1 | 7 | 1 | 7 | 1 | 7 |
| E2-01 (E4-01) | Motor Rated Current | A | 260 | 260 | 260 | 260 | 260 | 260 |
| E2-02 (E4-02) | Motor Rated Slip | Hz | 1.39 | 1.39 | 1.39 | 1.39 | 1.39 | 1.39 |
| E2-03 (E4-03) | Motor No-Load Current | A | 72 | 72 | 72 | 72 | 72 | 72 |
| E2-05 (E4-05) | Motor Line to Line Resistance | Ω | 0.023 | 0.023 | 0.023 | 0.023 | 0.023 | 0.023 |
| E2-06 (E4-06) | Motor Leakage Inductance | % | 20 | 20 | 20 | 20 | 20 | 20 |
| E2-10 (E4-10) | Motor Iron Loss for Torque Compensation | W | 1200 | 1200 | 1200 | 1200 | 1200 | 1200 |
| E5-01 | Motor Code Selection | Hex. | 1216 | 1216 | FFFF | FFFF | FFFF | FFFF |
| L2-02 | Momentary Power Loss Ride-Thru Time | s | 2 | 2 | 2 | 2 | 2 | 2 |
| L2-03 | Momentary Power Loss Minimum Baseblock Time | s | 1.5 | 1.5 | 1.5 | 1.7 | 1.7 | 1.7 |
| L2-04 | Momentary Power Loss Voltage Recovery Time | s | 1 | 1 | 1 | 1 | 1 | 1 |
| L3-24 | Motor Acceleration Time for Inertia Calculations | s | 0.533 | 0.592 | 0.592 | 0.646 | 0.646 | 0.646 |
| L8-02 | Overheat Alarm Level | °C | 120 | 120 | 120 | 120 | 120 | 120 |
| L8-35 | Installation Method Selection | - | 0 | 0 | 0 | 0 | 0 | 0 |
| L8-38 | Carrier Frequency Reduction Selection | - | 2 | 2 | 2 | 2 | 2 | 2 |
| n1-03 | Hunting Prevention Time Constant | ms | 10 | 10 | 100 | 100 | 100 | 100 |
| n5-02 | Motor Acceleration Time | s | 0.533 | 0.592 | 0.592 | 0.646 | 0.646 | 0.646 |

Table B.9 400 V Class Drives Default Settings by Drive Capacity and ND/HD Setting

| No. | Name | Unit | Default Settings | | | | | | | |
|---------------|--|------------------|------------------|--------|--------|--------|--------|--------|--------|--------|
| | | | Model CIMR-A□ | | 4A0002 | | 4A0004 | | 4A0005 | |
| C6-01 | Drive Duty Selection | - | HD | ND | HD | ND | HD | ND | HD | ND |
| | | | 0 | 1 | 0 | 1 | 0 | 1 | 0 | 1 |
| o2-04 | Drive Model Selection | Hex. | 92 | | 93 | | 94 | | 95 | |
| E2-11 (E4-11) | Motor rated Output | kW | 0.4 | 0.75 | 0.75 | 1.5 | 1.5 | 2.2 | 2.2 | 3.0 |
| b3-04 | V/f Gain during Speed Search | % | 100 | 100 | 100 | 100 | 100 | 100 | 100 | 100 |
| b3-06 | Output Current 1 during Speed Search | - | 0.5 | 0.5 | 0.5 | 0.5 | 0.5 | 0.5 | 0.5 | 0.5 |
| b8-03 | Energy Saving Control Filter Time Constant | s | 0.50 | 0.50 | 0.50 | 0.50 | 0.50 | 0.50 | 0.50 | 0.50 |
| b8-04 | Energy Saving Coefficient Value | - | 576.4 | 447.4 | 447.4 | 338.8 | 338.8 | 313.6 | 313.6 | 265.7 |
| C5-17 (C5-37) | Motor Inertia | kgm ² | 0.0015 | 0.0028 | 0.0028 | 0.0068 | 0.0068 | 0.0088 | 0.0088 | 0.0158 |
| C6-02 | Carrier Frequency Selection | - | 1 | 7 | 1 | 7 | 1 | 7 | 1 | 7 |
| E2-01 (E4-01) | Motor Rated Current | A | 1 | 1.6 | 1.6 | 3.1 | 3.1 | 4.2 | 4.2 | 5.7 |
| E2-02 (E4-02) | Motor Rated Slip | Hz | 2.9 | 2.6 | 2.6 | 2.5 | 2.5 | 3 | 3 | 2.7 |
| E2-03 (E4-03) | Motor No-Load Current | A | 0.6 | 0.8 | 0.8 | 1.4 | 1.4 | 1.5 | 1.5 | 1.9 |
| E2-05 (E4-05) | Motor Line to Line Resistance | Ω | 38.198 | 22.459 | 22.459 | 10.1 | 10.1 | 6.495 | 6.495 | 4.360 |
| E2-06 (E4-06) | Motor Leakage Inductance | % | 18.2 | 14.3 | 14.3 | 18.3 | 18.3 | 18.7 | 18.7 | 19 |
| E2-10 (E4-10) | Motor Iron Loss for Torque Compensation | W | 14 | 26 | 26 | 53 | 53 | 77 | 77 | 105 |
| E5-01 | Motor Code Selection | Hex. | 1232 | 1232 | 1233 | 1233 | 1235 | 1235 | 1236 | 1236 |
| L2-02 | Momentary Power Loss Ride-Thru Time | s | 0.1 | 0.1 | 0.2 | 0.2 | 0.3 | 0.3 | 0.5 | 0.5 |
| L2-03 | Momentary Power Loss Minimum Baseblock Time | s | 0.2 | 0.3 | 0.3 | 0.4 | 0.4 | 0.5 | 0.5 | 0.5 |
| L2-04 | Momentary Power Loss Voltage Recovery Time | s | 0.3 | 0.3 | 0.3 | 0.3 | 0.3 | 0.3 | 0.3 | 0.3 |
| L3-24 | Motor Acceleration Time for Inertia Calculations | s | 0.178 | 0.142 | 0.142 | 0.166 | 0.166 | 0.145 | 0.145 | 0.145 |
| L8-02 | Overheat Alarm Level | °C | 110 | 110 | 110 | 110 | 110 | 110 | 110 | 110 |
| L8-35 | Installation Method Selection | - | 2 | 2 | 2 | 2 | 2 | 2 | 2 | 2 |
| L8-38 | Carrier Frequency Reduction Selection | - | 2 | 2 | 2 | 2 | 2 | 2 | 2 | 2 |
| n1-03 | Hunting Prevention Time Constant | ms | 10 | 10 | 10 | 10 | 10 | 10 | 10 | 10 |
| n5-02 | Motor Acceleration Time | s | 0.178 | 0.142 | 0.142 | 0.166 | 0.166 | 0.145 | 0.145 | 0.145 |

B.6 Defaults by Drive Model Selection (o2-04) and ND/HD (C6-01)

| No. | Name | Unit | Default Settings | | | | | | | |
|---------------|--|------------------|------------------|--------|--------|--------|--------|--------|--------|--------|
| | | | 4A0009 | | 4A0011 | | 4A0018 | | 4A0023 | |
| Model CIMR-A□ | | | HD | ND | HD | ND | HD | ND | HD | ND |
| C6-01 | Drive Duty Selection | - | 0 | 1 | 0 | 1 | 0 | 1 | 0 | 1 |
| o2-04 | Drive Model Selection | Hex. | 96 | | 97 | | 99 | | 9A | |
| E2-11 (E4-11) | Motor rated Output | kW | 3.0 | 3.7 | 3.7 | 5.5 | 5.5 | 7.5 | 7.5 | 11 |
| b3-04 | V/f Gain during Speed Search | % | 100 | 100 | 100 | 100 | 100 | 100 | 100 | 100 |
| b3-06 | Output Current I during Speed Search | - | 0.5 | 0.5 | 0.5 | 0.5 | 0.5 | 0.5 | 0.5 | 0.5 |
| b8-03 | Energy Saving Control Filter Time Constant | s | 0.50 | 0.50 | 0.50 | 0.50 | 0.50 | 0.50 | 0.50 | 0.50 |
| b8-04 | Energy Saving Coefficient Value | - | 265.7 | 245.8 | 245.8 | 189.5 | 189.5 | 145.38 | 145.38 | 140.88 |
| C5-17 (C5-37) | Motor Inertia | kgm ² | 0.0158 | 0.0158 | 0.0158 | 0.0255 | 0.026 | 0.037 | 0.037 | 0.053 |
| C6-02 | Carrier Frequency Selection | - | 1 | 7 | 1 | 7 | 1 | 7 | 1 | 7 |
| E2-01 (E4-01) | Motor Rated Current | A | 5.7 | 7 | 7 | 9.8 | 9.8 | 13.3 | 13.3 | 19.9 |
| E2-02 (E4-02) | Motor Rated Slip | Hz | 2.7 | 2.7 | 2.7 | 1.5 | 1.5 | 1.3 | 1.3 | 1.7 |
| E2-03 (E4-03) | Motor No-Load Current | A | 1.9 | 2.3 | 2.3 | 2.6 | 2.6 | 4 | 4 | 5.6 |
| E2-05 (E4-05) | Motor Line to Line Resistance | Ω | 4.360 | 3.333 | 3.333 | 1.595 | 1.595 | 1.152 | 1.152 | 0.922 |
| E2-06 (E4-06) | Motor Leakage Inductance | % | 19 | 19.3 | 19.3 | 18.2 | 18.2 | 15.5 | 15.5 | 19.6 |
| E2-10 (E4-10) | Motor Iron Loss for Torque Compensation | W | 105 | 130 | 130 | 193 | 193 | 263 | 263 | 385 |
| E5-01 | Motor Code Selection | Hex. | FFFF | FFFF | 1238 | 1238 | 123A | 123A | 123B | 123B |
| L2-02 | Momentary Power Loss Ride-Thru Time | s | 0.5 | 0.5 | 0.5 | 0.5 | 0.8 | 0.8 | 1 | 1 |
| L2-03 | Momentary Power Loss Minimum Baseblock Time | s | 0.5 | 0.6 | 0.6 | 0.7 | 0.7 | 0.8 | 0.8 | 0.9 |
| L2-04 | Momentary Power Loss Voltage Recovery Time | s | 0.3 | 0.3 | 0.3 | 0.3 | 0.3 | 0.3 | 0.3 | 0.3 |
| L3-24 | Motor Acceleration Time for Inertia Calculations | s | 0.145 | 0.154 | 0.154 | 0.168 | 0.168 | 0.175 | 0.175 | 0.265 |
| L8-02 | Overheat Alarm Level | °C | 110 | 110 | 110 | 110 | 110 | 110 | 115 | 115 |
| L8-35 | Installation Method Selection | - | 2 | 2 | 2 | 2 | 2 | 2 | 2 | 2 |
| L8-38 | Carrier Frequency Reduction Selection | - | 2 | 2 | 2 | 2 | 2 | 2 | 2 | 2 |
| n1-03 | Hunting Prevention Time Constant | ms | 10 | 10 | 10 | 10 | 10 | 10 | 10 | 10 |
| n5-02 | Motor Acceleration Time | s | 0.145 | 0.154 | 0.154 | 0.168 | 0.168 | 0.175 | 0.175 | 0.265 |

| No. | Name | Unit | Default Settings | | | | | | | |
|---------------|--|------------------|------------------|--------|--------|--------|--------|--------|--------|-------|
| | | | 4A0031 | | 4A0038 | | 4A0044 | | 4A0058 | |
| Model CIMR-A□ | | | HD | ND | HD | ND | HD | ND | HD | ND |
| C6-01 | Drive Duty Selection | - | 0 | 1 | 0 | 1 | 0 | 1 | 0 | 1 |
| o2-04 | Drive Model Selection | Hex. | 9C | | 9D | | 9E | | 9F | |
| E2-11 (E4-11) | Motor rated Output | kW | 11 | 15 | 15 | 18.5 | 18.5 | 22 | 22 | 30 |
| b3-04 | V/f Gain during Speed Search | % | 100 | 100 | 100 | 100 | 100 | 100 | 100 | 100 |
| b3-06 | Output Current I during Speed Search | - | 0.5 | 0.5 | 0.5 | 0.5 | 0.5 | 0.5 | 0.5 | 0.5 |
| b8-03 | Energy Saving Control Filter Time Constant | s | 0.50 | 0.50 | 0.50 | 0.50 | 0.50 | 0.50 | 0.50 | 0.50 |
| b8-04 | Energy Saving Coefficient Value | - | 140.88 | 126.26 | 126.26 | 115.74 | 115.74 | 103.58 | 103.58 | 92.54 |
| C5-17 (C5-37) | Motor Inertia | kgm ² | 0.053 | 0.076 | 0.076 | 0.138 | 0.138 | 0.165 | 0.165 | 0.220 |
| C6-02 | Carrier Frequency Selection | - | 1 | 7 | 1 | 7 | 1 | 7 | 1 | 7 |
| E2-01 (E4-01) | Motor Rated Current | A | 19.9 | 26.5 | 26.5 | 32.9 | 32.9 | 38.6 | 38.6 | 52.3 |
| E2-02 (E4-02) | Motor Rated Slip | Hz | 1.7 | 1.6 | 1.6 | 1.67 | 1.67 | 1.7 | 1.7 | 1.8 |
| E2-03 (E4-03) | Motor No-Load Current | A | 5.6 | 7.6 | 7.6 | 7.8 | 7.8 | 9.2 | 9.2 | 10.9 |
| E2-05 (E4-05) | Motor Line to Line Resistance | Ω | 0.922 | 0.55 | 0.55 | 0.403 | 0.403 | 0.316 | 0.316 | 0.269 |
| E2-06 (E4-06) | Motor Leakage Inductance | % | 19.6 | 17.2 | 17.2 | 20.1 | 20.1 | 23.5 | 23.5 | 20.7 |
| E2-10 (E4-10) | Motor Iron Loss for Torque Compensation | W | 385 | 440 | 440 | 508 | 508 | 586 | 586 | 750 |
| E5-01 | Motor Code Selection | Hex. | 123D | 123D | 123E | 123E | 123F | 123F | 1240 | 1240 |
| L2-02 | Momentary Power Loss Ride-Thru Time | s | 2 | 2 | 2 | 2 | 2 | 2 | 2 | 2 |
| L2-03 | Momentary Power Loss Minimum Baseblock Time | s | 0.9 | 1 | 1 | 1 | 1 | 1 | 1 | 1.1 |
| L2-04 | Momentary Power Loss Voltage Recovery Time | s | 0.3 | 0.6 | 0.6 | 0.6 | 0.6 | 0.6 | 0.6 | 0.6 |
| L3-24 | Motor Acceleration Time for Inertia Calculations | s | 0.265 | 0.244 | 0.244 | 0.317 | 0.317 | 0.355 | 0.355 | 0.323 |
| L8-02 | Overheat Alarm Level | °C | 120 | 120 | 120 | 120 | 115 | 115 | 120 | 120 |
| L8-35 | Installation Method Selection | - | 2 | 2 | 2 | 2 | 2 | 2 | 0 | 0 |
| L8-38 | Carrier Frequency Reduction Selection | - | 2 | 2 | 2 | 2 | 2 | 2 | 2 | 2 |
| n1-03 | Hunting Prevention Time Constant | ms | 10 | 10 | 10 | 10 | 10 | 10 | 10 | 10 |
| n5-02 | Motor Acceleration Time | s | 0.265 | 0.244 | 0.244 | 0.317 | 0.317 | 0.355 | 0.355 | 0.323 |

B.6 Defaults by Drive Model Selection (o2-04) and ND/HD (C6-01)

| No. | Name | Unit | Default Settings | | | | | | | |
|---------------|--|------------------|------------------|-------|--------|-------|--------|-------|--------|-------|
| | | | 4A0072 | | 4A0088 | | 4A0103 | | 4A0139 | |
| Model CIMR-A□ | | | HD | ND | HD | ND | HD | ND | HD | ND |
| C6-01 | Drive Duty Selection | – | 0 | 1 | 0 | 1 | 0 | 1 | 0 | 1 |
| o2-04 | Drive Model Selection | Hex. | A1 | | A2 | | A3 | | A4 | |
| E2-11 (E4-11) | Motor rated Output | kW | 30 | 37 | 37 | 45 | 45 | 55 | 55 | 75 |
| b3-04 | V/f Gain during Speed Search | % | 100 | 100 | 100 | 100 | 100 | 80 | 80 | 60 |
| b3-06 | Output Current 1 during Speed Search | – | 0.5 | 0.5 | 0.5 | 0.5 | 0.5 | 0.5 | 0.5 | 0.7 |
| b8-03 | Energy Saving Control Filter Time Constant | s | 0.50 | 0.50 | 0.50 | 0.50 | 0.50 | 2.00 | 2.00 | 2.00 |
| b8-04 | Energy Saving Coefficient Value | – | 92.54 | 76.32 | 76.32 | 71.56 | 71.56 | 67.2 | 67.2 | 46.2 |
| C5-17 (C5-37) | Motor Inertia | kgm ² | 0.220 | 0.273 | 0.273 | 0.333 | 0.333 | 0.490 | 0.49 | 0.90 |
| C6-02 | Carrier Frequency Selection | – | 1 | 7 | 1 | 7 | 1 | 7 | 1 | 7 |
| E2-01 (E4-01) | Motor Rated Current | A | 52.3 | 65.6 | 65.6 | 79.7 | 79.7 | 95 | 95 | 130 |
| E2-02 (E4-02) | Motor Rated Slip | Hz | 1.8 | 1.33 | 1.33 | 1.6 | 1.6 | 1.46 | 1.46 | 1.39 |
| E2-03 (E4-03) | Motor No-Load Current | A | 10.9 | 19.1 | 19.1 | 22 | 22 | 24 | 24 | 36 |
| E2-05 (E4-05) | Motor Line to Line Resistance | Ω | 0.269 | 0.155 | 0.155 | 0.122 | 0.122 | 0.088 | 0.088 | 0.092 |
| E2-06 (E4-06) | Motor Leakage Inductance | % | 20.7 | 18.8 | 18.8 | 19.9 | 19.9 | 20 | 20 | 20 |
| E2-10 (E4-10) | Motor Iron Loss for Torque Compensation | W | 750 | 925 | 925 | 1125 | 1125 | 1260 | 1260 | 1600 |
| E5-01 | Motor Code Selection | Hex. | 1242 | 1242 | 1243 | 1243 | 1244 | 1244 | 1245 | 1245 |
| L2-02 | Momentary Power Loss Ride-Thru Time | s | 2 | 2 | 2 | 2 | 2 | 2 | 2 | 2 |
| L2-03 | Momentary Power Loss Minimum Baseblock Time | s | 1.1 | 1.1 | 1.1 | 1.2 | 1.2 | 1.2 | 1.2 | 1.3 |
| L2-04 | Momentary Power Loss Voltage Recovery Time | s | 0.6 | 0.6 | 0.6 | 0.6 | 0.6 | 1 | 1 | 1 |
| L3-24 | Motor Acceleration Time for Inertia Calculations | s | 0.323 | 0.32 | 0.32 | 0.387 | 0.387 | 0.317 | 0.317 | 0.533 |
| L8-02 | Overheat Alarm Level | °C | 120 | 120 | 110 | 110 | 120 | 120 | 130 | 130 |
| L8-35 | Installation Method Selection | – | 0 | 0 | 0 | 0 | 0 | 0 | 0 | 0 |
| L8-38 | Carrier Frequency Reduction Selection | – | 2 | 2 | 2 | 2 | 2 | 2 | 2 | 2 |
| n1-03 | Hunting Prevention Time Constant | ms | 10 | 10 | 10 | 10 | 10 | 10 | 30 | 30 |
| n5-02 | Motor Acceleration Time | s | 0.323 | 0.32 | 0.32 | 0.387 | 0.387 | 0.317 | 0.317 | 0.533 |

| No. | Name | Unit | Default Settings | | | | | | | |
|---------------|--|------------------|------------------|-------|--------|-------|--------|-------|--------|-------|
| | | | 4A0165 | | 4A0208 | | 4A0250 | | 4A0296 | |
| Model CIMR-A□ | | | HD | ND | HD | ND | HD | ND | HD | ND |
| C6-01 | Drive Duty Selection | – | 0 | 1 | 0 | 1 | 0 | 1 | 0 | 1 |
| o2-04 | Drive Model Selection | Hex. | A5 | | A6 | | A7 | | A8 | |
| E2-11 (E4-11) | Motor rated Output | kW | 75 | 90 | 90 | 110 | 110 | 132 | 132 | 160 |
| b3-04 | V/f Gain during Speed Search | % | 60 | 60 | 60 | 60 | 60 | 60 | 60 | 60 |
| b3-06 | Output Current 1 during Speed Search | – | 0.7 | 0.7 | 0.7 | 0.7 | 0.7 | 0.7 | 0.7 | 0.7 |
| b8-03 | Energy Saving Control Filter Time Constant | s | 2.00 | 2.00 | 2.00 | 2.00 | 2.00 | 2.00 | 2.00 | 2.00 |
| b8-04 | Energy Saving Coefficient Value | – | 46.2 | 38.91 | 38.91 | 36.23 | 36.23 | 32.79 | 32.79 | 30.13 |
| C5-17 (C5-37) | Motor Inertia | kgm ² | 0.90 | 1.10 | 1.10 | 1.90 | 1.90 | 2.10 | 2.10 | 3.30 |
| C6-02 | Carrier Frequency Selection | – | 1 | 7 | 1 | 7 | 1 | 7 | 1 | 7 |
| E2-01 (E4-01) | Motor Rated Current | A | 130 | 156 | 156 | 190 | 190 | 223 | 223 | 270 |
| E2-02 (E4-02) | Motor Rated Slip | Hz | 1.39 | 1.4 | 1.4 | 1.4 | 1.4 | 1.38 | 1.38 | 1.35 |
| E2-03 (E4-03) | Motor No-Load Current | A | 36 | 40 | 40 | 49 | 49 | 58 | 58 | 70 |
| E2-05 (E4-05) | Motor Line to Line Resistance | Ω | 0.092 | 0.056 | 0.056 | 0.046 | 0.046 | 0.035 | 0.035 | 0.029 |
| E2-06 (E4-06) | Motor Leakage Inductance | % | 20 | 20 | 20 | 20 | 20 | 20 | 20 | 20 |
| E2-10 (E4-10) | Motor Iron Loss for Torque Compensation | W | 1600 | 1760 | 1760 | 2150 | 2150 | 2350 | 2350 | 2850 |
| E5-01 | Motor Code Selection | Hex. | 1246 | 1246 | 1247 | 1247 | 1248 | 1248 | 1249 | 1249 |
| L2-02 | Momentary Power Loss Ride-Thru Time | s | 2 | 2 | 2 | 2 | 2 | 2 | 2 | 2 |
| L2-03 | Momentary Power Loss Minimum Baseblock Time | s | 1.3 | 1.5 | 1.5 | 1.7 | 1.7 | 1.7 | 1.7 | 1.8 |
| L2-04 | Momentary Power Loss Voltage Recovery Time | s | 1 | 1 | 1 | 1 | 1 | 1 | 1 | 1 |
| L3-24 | Motor Acceleration Time for Inertia Calculations | s | 0.533 | 0.592 | 0.592 | 0.646 | 0.646 | 0.673 | 0.673 | 0.777 |
| L8-02 | Overheat Alarm Level | °C | 130 | 130 | 120 | 120 | 120 | 120 | 125 | 125 |
| L8-35 | Installation Method Selection | – | 0 | 0 | 0 | 0 | 0 | 0 | 0 | 0 |
| L8-38 | Carrier Frequency Reduction Selection | – | 2 | 2 | 2 | 2 | 2 | 2 | 2 | 2 |
| n1-03 | Hunting Prevention Time Constant | ms | 30 | 30 | 30 | 30 | 30 | 30 | 30 | 30 |
| n5-02 | Motor Acceleration Time | s | 0.533 | 0.592 | 0.592 | 0.646 | 0.646 | 0.673 | 0.673 | 0.777 |

B.6 Defaults by Drive Model Selection (o2-04) and ND/HD (C6-01)

| No. | Name | Unit | Default Settings | | | | | | | |
|---------------|--|------------------|------------------|-------|--------|-------|--------|-------|--------|-------|
| | | | 4A0362 | | 4A0414 | | 4A0515 | | 4A0675 | |
| Model CIMR-A□ | | | HD | | ND | | HD | | ND | |
| C6-01 | Drive Duty Selection | - | 0 | 1 | 0 | 1 | 0 | 1 | 0 | 1 |
| o2-04 | Drive Model Selection | Hex. | A9 | | AA | | AC | | AE | |
| E2-11 (E4-11) | Motor rated Output | kW | 160 | 185 | 185 | 220 | 220 | 250 | 315 | 355 |
| b3-04 | V/f Gain during Speed Search | % | 60 | 60 | 60 | 60 | 60 | 60 | 60 | 60 |
| b3-06 | Output Current 1 during Speed Search | - | 0.7 | 0.7 | 0.7 | 0.7 | 0.7 | 0.7 | 0.7 | 0.7 |
| b8-03 | Energy Saving Control Filter Time Constant | s | 2.00 | 2.00 | 2.00 | 2.00 | 2.00 | 2.00 | 2.00 | 2.00 |
| b8-04 | Energy Saving Coefficient Value | - | 30.13 | 30.57 | 30.57 | 27.13 | 27.13 | 21.76 | 21.76 | 23.84 |
| C5-17 (C5-37) | Motor Inertia | kgm ² | 3.30 | 3.60 | 3.60 | 4.10 | 4.10 | 6.50 | 11.00 | 12.00 |
| C6-02 | Carrier Frequency Selection | - | 1 | 7 | 1 | 7 | 1 | 7 | 1 | 7 |
| E2-01 (E4-01) | Motor Rated Current | A | 270 | 310 | 310 | 370 | 370 | 500 | 500 | 650 |
| E2-02 (E4-02) | Motor Rated Slip | Hz | 1.35 | 1.3 | 1.3 | 1.3 | 1.3 | 1.25 | 1.25 | 1 |
| E2-03 (E4-03) | Motor No-Load Current | A | 70 | 81 | 81 | 96 | 96 | 130 | 130 | 130 |
| E2-05 (E4-05) | Motor Line to Line Resistance | Ω | 0.029 | 0.025 | 0.025 | 0.02 | 0.02 | 0.014 | 0.014 | 0.012 |
| E2-06 (E4-06) | Motor Leakage Inductance | % | 20 | 20 | 20 | 20 | 20 | 20 | 20 | 20 |
| E2-10 (E4-10) | Motor Iron Loss for Torque Compensation | W | 2850 | 3200 | 3200 | 3700 | 3700 | 4700 | 4700 | 5560 |
| E5-01 | Motor Code Selection | Hex. | 124A | 124A | FFFF | FFFF | FFFF | FFFF | FFFF | FFFF |
| L2-02 | Momentary Power Loss Ride-Thru Time | s | 2 | 2 | 2 | 2 | 2 | 2 | 2 | 2 |
| L2-03 | Momentary Power Loss Minimum Baseblock Time | s | 1.8 | 1.9 | 1.9 | 2 | 2 | 2.1 | 2.1 | 2.3 |
| L2-04 | Momentary Power Loss Voltage Recovery Time | s | 1 | 1 | 1 | 1 | 1 | 1 | 1 | 1 |
| L3-24 | Motor Acceleration Time for Inertia Calculations | s | 0.777 | 0.864 | 0.864 | 0.91 | 0.91 | 1.392 | 1.392 | 1.667 |
| L8-02 | Overheat Alarm Level | °C | 130 | 130 | 140 | 140 | 140 | 140 | 140 | 140 |
| L8-35 | Installation Method Selection | - | 0 | 0 | 0 | 0 | 0 | 0 | 0 | 0 |
| L8-38 | Carrier Frequency Reduction Selection | - | 2 | 2 | 2 | 2 | 2 | 2 | 2 | 2 |
| n1-03 | Hunting Prevention Time Constant | ms | 30 | 30 | 100 | 100 | 100 | 100 | 100 | 100 |
| n5-02 | Motor Acceleration Time | s | 0.777 | 0.864 | 0.864 | 0.91 | 0.91 | 1.392 | 1.392 | 1.667 |

B.7 Parameters that Change with the Motor Code Selection

The following tables show parameters and default settings that change with the motor code selection E5-01 when Open Loop Vector for PM motors is used.

◆ YASKAWA SMRA Series SPM Motor

Table B.10 200 V, 1800 r/min Type YASKAWA SMRA Series SPM Motor

| No. | Name | Unit | Default Settings | | | | |
|-------|---|------------------|------------------|--------|--------|--------|--------|
| E5-01 | Motor Code Selection | – | 0002 | 0003 | 0005 | 0006 | 0008 |
| | Voltage Class | V | 200 | 200 | 200 | 200 | 200 |
| | Rated Power | kW | 0.4 | 0.75 | 1.5 | 2.2 | 3.7 |
| | Rated Speed | r/min | 1800 | 1800 | 1800 | 1800 | 1800 |
| E5-02 | Motor Rated Power | kW | 0.4 | 0.75 | 1.5 | 2.2 | 3.7 |
| E5-03 | Motor Rated Current | A | 2.1 | 4.0 | 6.9 | 10.8 | 17.4 |
| E5-04 | Number of Motor Poles | – | 8 | 8 | 8 | 8 | 8 |
| E5-05 | Motor Stator Resistance (r1) | Ω | 2.47 | 1.02 | 0.679 | 0.291 | 0.169 |
| E5-06 | Motor d-Axis Inductance (Ld) | mH | 12.7 | 4.8 | 3.9 | 3.6 | 2.5 |
| E5-07 | Motor q-Axis Inductance (Lq) | mH | 12.7 | 4.8 | 3.9 | 3.6 | 2.5 |
| E5-09 | Motor Induction Voltage Constant 1 (Ke) | mVs/rad | 0 | 0 | 0 | 0 | 0 |
| E5-24 | Motor Induction Voltage Constant 2 (Ke) | mV/(r/min) | 62.0 | 64.1 | 73.4 | 69.6 | 72.2 |
| E1-04 | Maximum Output Frequency | Hz | 120 | 120 | 120 | 120 | 120 |
| E1-05 | Maximum Voltage | V | 200.0 | 200.0 | 200.0 | 200.0 | 200.0 |
| E1-06 | Base Frequency | Hz | 120 | 120 | 120 | 120 | 120 |
| E1-09 | Minimum Output Frequency | Hz | 6 | 6 | 6 | 6 | 6 |
| C5-17 | Motor Inertia | kgm ² | 0.0007 | 0.0014 | 0.0021 | 0.0032 | 0.0046 |
| L3-24 | Motor Acceleration Time for Inertia Calculations | s | 0.064 | 0.066 | 0.049 | 0.051 | 0.044 |
| n5-02 | Motor Acceleration Time | s | 0.064 | 0.066 | 0.049 | 0.051 | 0.044 |
| n8-49 | d-Axis Current for High Efficiency Control (OLV/PM) | % | 0 | 0 | 0 | 0 | 0 |

Table B.11 200 V, 3600 r/min Type YASKAWA SMRA Series SPM Motor

| No. | Name | Unit | Default Settings | | | |
|-------|---|------------------|------------------|--------|--------|--------|
| E5-01 | Motor Code Selection | – | 0103 | 0105 | 0106 | 0108 |
| | Voltage Class | V | 200 | 200 | 200 | 200 |
| | Rated Power | kW | 0.75 | 1.5 | 2.2 | 3.7 |
| | Rated Speed | r/min | 3600 | 3600 | 3600 | 3600 |
| E5-02 | Motor Rated Power | kW | 0.75 | 1.5 | 2.2 | 3.7 |
| E5-03 | Motor Rated Current | A | 4.1 | 8.0 | 10.5 | 16.5 |
| E5-04 | Number of Motor Poles | – | 8 | 8 | 8 | 8 |
| E5-05 | Motor Stator Resistance (r1) | Ω | 0.538 | 0.20 | 0.15 | 0.097 |
| E5-06 | Motor d-Axis Inductance (Ld) | mH | 3.2 | 1.3 | 1.1 | 1.1 |
| E5-07 | Motor q-Axis Inductance (Lq) | mH | 3.2 | 1.3 | 1.1 | 1.1 |
| E5-09 | Motor Induction Voltage Constant 1 (Ke) | mVs/rad | 0 | 0 | 0 | 0 |
| E5-24 | Motor Induction Voltage Constant 2 (Ke) | mV/(r/min) | 32.4 | 32.7 | 36.7 | 39.7 |
| E1-04 | Maximum Output Frequency | Hz | 240 | 240 | 240 | 240 |
| E1-05 | Maximum Voltage | V | 200.0 | 200.0 | 200.0 | 200.0 |
| E1-06 | Base Frequency | Hz | 240 | 240 | 240 | 240 |
| E1-09 | Minimum Output Frequency | Hz | 12 | 12 | 12 | 12 |
| C5-17 | Motor Inertia | kgm ² | 0.0007 | 0.0014 | 0.0021 | 0.0032 |
| L3-24 | Motor Acceleration Time for Inertia Calculations | s | 0.137 | 0.132 | 0.132 | 0.122 |
| n5-02 | Motor Acceleration Time | s | 0.137 | 0.132 | 0.132 | 0.122 |
| n8-49 | d-Axis Current for High Efficiency Control (OLV/PM) | % | 0 | 0 | 0 | 0 |

B.7 Parameters that Change with the Motor Code Selection

◆ YASKAWA SSR1 Series IPM Motor (For Derated Torque)

Table B.12 200 V, 1750 r/min Type YASKAWA SSR1 Series IPM Motor

| No. | Name | Unit | Default Settings | | | | | | | |
|-------|---|------------------|------------------|--------|--------|--------|--------|-------|-------|-------|
| | | | 1202 | 1203 | 1205 | 1206 | 1208 | 120A | 120B | 120D |
| E5-01 | Motor Code Selection | – | 1202 | 1203 | 1205 | 1206 | 1208 | 120A | 120B | 120D |
| | Voltage Class | V | 200 | 200 | 200 | 200 | 200 | 200 | 200 | 200 |
| | Rated Power | kW | 0.4 | 0.75 | 1.5 | 2.2 | 3.7 | 5.5 | 7.5 | 11 |
| | Rated Speed | r/min | 1750 | 1750 | 1750 | 1750 | 1750 | 1750 | 1750 | 1750 |
| E5-02 | Motor Rated Power | kW | 0.4 | 0.75 | 1.5 | 2.2 | 3.7 | 5.5 | 7.5 | 11.0 |
| E5-03 | Motor Rated Current | A | 1.77 | 3.13 | 5.73 | 8.44 | 13.96 | 20.63 | 28.13 | 41.4 |
| E5-04 | Number of Motor Poles | – | 6 | 6 | 6 | 6 | 6 | 6 | 6 | 6 |
| E5-05 | Motor Stator Resistance (r1) | Ω | 8.233 | 2.284 | 1.470 | 0.827 | 0.455 | 0.246 | 0.198 | 0.094 |
| E5-06 | Motor d-Axis Inductance (Ld) | mH | 54.84 | 23.02 | 17.22 | 8.61 | 7.20 | 4.86 | 4.15 | 3.40 |
| E5-07 | Motor q-Axis Inductance (Lq) | mH | 64.10 | 29.89 | 20.41 | 13.50 | 10.02 | 7.43 | 5.91 | 3.91 |
| E5-09 | Motor Induction Voltage Constant 1 (Ke) | mVs/rad | 223.7 | 220.3 | 240.8 | 238.0 | 238.7 | 239.6 | 258.2 | 239.3 |
| E5-24 | Motor Induction Voltage Constant 2 (Ke) | mV/(r/min) | 0.0 | 0.0 | 0.0 | 0.0 | 0.0 | 0.0 | 0.0 | 0.0 |
| E1-04 | Maximum Output Frequency | Hz | 87.5 | 87.5 | 87.5 | 87.5 | 87.5 | 87.5 | 87.5 | 87.5 |
| E1-05 | Maximum Voltage | V | 190.0 | 190.0 | 190.0 | 190.0 | 190.0 | 190.0 | 190.0 | 190.0 |
| E1-06 | Base Frequency | Hz | 87.5 | 87.5 | 87.5 | 87.5 | 87.5 | 87.5 | 87.5 | 87.5 |
| E1-09 | Minimum Output Frequency | Hz | 4.4 | 4.4 | 4.4 | 4.4 | 4.4 | 4.4 | 4.4 | 4.4 |
| C5-17 | Motor Inertia | kgm ² | 0.0011 | 0.0017 | 0.0023 | 0.0043 | 0.0083 | 0.014 | 0.017 | 0.027 |
| L3-24 | Motor Acceleration Time for Inertia Calculations | s | 0.092 | 0.076 | 0.052 | 0.066 | 0.075 | 0.083 | 0.077 | 0.084 |
| n5-02 | Motor Acceleration Time | s | 0.092 | 0.076 | 0.052 | 0.066 | 0.075 | 0.083 | 0.077 | 0.084 |
| n8-49 | d-Axis Current for High Efficiency Control (OLV/PM) | % | -7.6 | -11.5 | -9.1 | -19.0 | -18.7 | -23.4 | -18.5 | -10.9 |

| No. | Name | Unit | Default Settings | | | | | | | |
|-------|---|------------------|------------------|-------|-------|-------|-------|-------|-------|-------|
| | | | 120E | 120F | 1210 | 1212 | 1213 | 1214 | 1215 | 1216 |
| E5-01 | Motor Code Selection | – | 120E | 120F | 1210 | 1212 | 1213 | 1214 | 1215 | 1216 |
| | Voltage Class | V | 200 | 200 | 200 | 200 | 200 | 200 | 200 | 200 |
| | Rated Power | kW | 15 | 18 | 22 | 30 | 37 | 45 | 55 | 75 |
| | Rated Speed | r/min | 1750 | 1750 | 1750 | 1750 | 1750 | 1750 | 1750 | 1750 |
| E5-02 | Motor Rated Power | kW | 15.00 | 18.50 | 22.00 | 30.00 | 37.00 | 45.00 | 55.00 | 75.00 |
| E5-03 | Motor Rated Current | A | 55.4 | 68.2 | 80.6 | 105.2 | 131.3 | 153.1 | 185.4 | 257.3 |
| E5-04 | Number of Motor Poles | – | 6 | 6 | 6 | 6 | 6 | 6 | 6 | 6 |
| E5-05 | Motor Stator Resistance (r1) | Ω | 0.066 | 0.051 | 0.037 | 0.030 | 0.020 | 0.014 | 0.012 | 0.006 |
| E5-06 | Motor d-Axis Inductance (Ld) | mH | 2.45 | 2.18 | 1.71 | 1.35 | 0.99 | 0.83 | 0.79 | 0.44 |
| E5-07 | Motor q-Axis Inductance (Lq) | mH | 3.11 | 2.55 | 2.05 | 1.82 | 1.28 | 1.01 | 0.97 | 0.56 |
| E5-09 | Motor Induction Voltage Constant 1 (Ke) | mVs/rad | 248.1 | 253.6 | 250.0 | 280.9 | 264.2 | 280.4 | 311.9 | 268.0 |
| E5-24 | Motor Induction Voltage Constant 2 (Ke) | mV/(r/min) | 0.0 | 0.0 | 0.0 | 0.0 | 0.0 | 0.0 | 0.0 | 0.0 |
| E1-04 | Maximum Output Frequency | Hz | 87.5 | 87.5 | 87.5 | 87.5 | 87.5 | 87.5 | 87.5 | 87.5 |
| E1-05 | Maximum Voltage | V | 190.0 | 190.0 | 190.0 | 190.0 | 190.0 | 190.0 | 190.0 | 190.0 |
| E1-06 | Base Frequency | Hz | 87.5 | 87.5 | 87.5 | 87.5 | 87.5 | 87.5 | 87.5 | 87.5 |
| E1-09 | Minimum Output Frequency | Hz | 4.4 | 4.4 | 4.4 | 4.4 | 4.4 | 4.4 | 4.4 | 4.4 |
| C5-17 | Motor Inertia | kgm ² | 0.046 | 0.055 | 0.064 | 0.116 | 0.140 | 0.259 | 0.31 | 0.42 |
| L3-24 | Motor Acceleration Time for Inertia Calculations | s | 0.102 | 0.101 | 0.098 | 0.130 | 0.127 | 0.193 | 0.191 | 0.187 |
| n5-02 | Motor Acceleration Time | s | 0.102 | 0.101 | 0.098 | 0.130 | 0.127 | 0.193 | 0.191 | 0.187 |
| n8-49 | d-Axis Current for High Efficiency Control (OLV/PM) | % | -16.5 | -11.3 | -12.8 | -16.8 | -15.6 | -10.7 | -9.6 | -13.3 |

B.7 Parameters that Change with the Motor Code Selection

Table B.13 400 V, 1750 r/min Type YASKAWA SSR1 Series IPM Motor

| No. | Name | Unit | Default Settings | | | | | | | | | |
|-------|---|------------------|------------------|--------|--------|--------|--------|-------|-------|-------|-------|-------|
| E5-01 | Motor Code Selection | – | 1232 | 1233 | 1235 | 1236 | 1238 | 123A | 123B | 123D | 123E | 123F |
| | Voltage Class | V | 400 | 400 | 400 | 400 | 400 | 400 | 400 | 400 | 400 | 400 |
| | Rated Power | kW | 0.4 | 0.75 | 1.5 | 2.2 | 3.7 | 5.5 | 7.5 | 11 | 15 | 18 |
| | Rated Speed | r/min | 1750 | 1750 | 1750 | 1750 | 1750 | 1750 | 1750 | 1750 | 1750 | 1750 |
| E5-02 | Motor Rated Power | kW | 0.4 | 0.75 | 1.5 | 2.2 | 3.7 | 5.5 | 7.5 | 11.0 | 15 | 18.50 |
| E5-03 | Motor Rated Current | A | 0.89 | 1.56 | 2.81 | 4.27 | 7.08 | 10.31 | 13.65 | 20.7 | 27.5 | 33.4 |
| E5-04 | Number of Motor Poles | – | 6 | 6 | 6 | 6 | 6 | 6 | 6 | 6 | 6 | 6 |
| E5-05 | Motor Stator Resistance (r1) | Ω | 25.370 | 9.136 | 6.010 | 3.297 | 1.798 | 0.982 | 0.786 | 0.349 | 0.272 | 0.207 |
| E5-06 | Motor d-Axis Inductance (Ld) | mH | 169.00 | 92.08 | 67.71 | 34.40 | 32.93 | 22.7 | 16.49 | 13.17 | 10.30 | 8.72 |
| E5-07 | Motor q-Axis Inductance (Lq) | mH | 197.50 | 119.56 | 81.71 | 54.00 | 37.70 | 26.80 | 23.46 | 15.60 | 12.77 | 11.22 |
| E5-09 | Motor Induction Voltage Constant 1 (Ke) | mVs/rad | 392.6 | 440.6 | 478.3 | 466.3 | 478.8 | 478.1 | 520.0 | 481.5 | 498.8 | 509.5 |
| E5-24 | Motor Induction Voltage Constant 2 (Ke) | mV/(r/min) | 0.0 | 0.0 | 0.0 | 0.0 | 0.0 | 0.0 | 0.0 | 0.0 | 0.0 | 0.0 |
| E1-04 | Maximum Output Frequency | Hz | 87.5 | 87.5 | 87.5 | 87.5 | 87.5 | 87.5 | 87.5 | 87.5 | 87.5 | 87.5 |
| E1-05 | Maximum Voltage | V | 380.0 | 380.0 | 380.0 | 380.0 | 380.0 | 380.0 | 380.0 | 380.0 | 380.0 | 380.0 |
| E1-06 | Base Frequency | Hz | 87.5 | 87.5 | 87.5 | 87.5 | 87.5 | 87.5 | 87.5 | 87.5 | 87.5 | 87.5 |
| E1-09 | Minimum Output Frequency | Hz | 4.4 | 4.4 | 4.4 | 4.4 | 4.4 | 4.4 | 4.4 | 4.4 | 4.4 | 4.4 |
| C5-17 | Motor Inertia | kgm ² | 0.0011 | 0.0017 | 0.0023 | 0.0043 | 0.0083 | 0.014 | 0.017 | 0.027 | 0.046 | 0.055 |
| L3-24 | Motor Acceleration Time for Inertia Calculations | s | 0.092 | 0.076 | 0.052 | 0.066 | 0.075 | 0.083 | 0.077 | 0.084 | 0.102 | 0.101 |
| n5-02 | Motor Acceleration Time | s | 0.092 | 0.076 | 0.052 | 0.066 | 0.075 | 0.083 | 0.077 | 0.084 | 0.102 | 0.101 |
| n8-49 | d-Axis Current for High Efficiency Control (OLV/PM) | % | -8.6 | -11.5 | -10.3 | -19.8 | -8.5 | -11.0 | -18.6 | -12.5 | -15.5 | -17.9 |

| No. | Name | Unit | Default Settings | | | | | | | | | |
|-------|---|------------------|------------------|-------|-------|-------|-------|-------|-------|--------|-------|-------|
| E5-01 | Motor Code Selection | – | 1240 | 1242 | 1243 | 1244 | 1245 | 1246 | 1247 | 1248 | 1249 | 124A |
| | Voltage Class | V | 400 | 400 | 400 | 400 | 400 | 400 | 400 | 400 | 400 | 400 |
| | Rated Power | kW | 22 | 30 | 37 | 45 | 55 | 75 | 90 | 110 | 132 | 160 |
| | Rated Speed | r/min | 1750 | 1750 | 1750 | 1750 | 1750 | 1750 | 1750 | 1750 | 1750 | 1750 |
| E5-02 | Motor Rated Power | kW | 22.00 | 30.00 | 37.00 | 45.00 | 55.00 | 75.00 | 90.00 | 110.00 | 132 | 160 |
| E5-03 | Motor Rated Current | A | 39.8 | 52.0 | 65.8 | 77.5 | 92.7 | 126.6 | 160.4 | 183.3 | 222.9 | 267.7 |
| E5-04 | Number of Motor Poles | – | 6 | 6 | 6 | 6 | 6 | 6 | 6 | 6 | 6 | 6 |
| E5-05 | Motor Stator Resistance (r1) | Ω | 0.148 | 0.235 | 0.079 | 0.054 | 0.049 | 0.029 | 0.019 | 0.017 | 0.012 | 0.008 |
| E5-06 | Motor d-Axis Inductance (Ld) | mH | 6.81 | 5.4 | 4.08 | 3.36 | 3.16 | 2.12 | 1.54 | 1.44 | 1.21 | 0.97 |
| E5-07 | Motor q-Axis Inductance (Lq) | mH | 8.47 | 7.26 | 5.12 | 3.94 | 3.88 | 2.61 | 2.06 | 2.21 | 1.46 | 1.28 |
| E5-09 | Motor Induction Voltage Constant 1 (Ke) | mVs/rad | 503.9 | 561.7 | 528.5 | 558.1 | 623.8 | 594.5 | 524.1 | 583.7 | 563.6 | 601.2 |
| E5-24 | Motor Induction Voltage Constant 2 (Ke) | mV/(r/min) | 0.0 | 0.0 | 0.0 | 0.0 | 0.0 | 0.0 | 0.0 | 0.0 | 0 | 0 |
| E1-04 | Maximum Output Frequency | Hz | 87.5 | 87.5 | 87.5 | 87.5 | 87.5 | 87.5 | 87.5 | 87.5 | 87.5 | 87.5 |
| E1-05 | Maximum Voltage | V | 380.0 | 380.0 | 380.0 | 380.0 | 380.0 | 380.0 | 380.0 | 380.0 | 380 | 380 |
| E1-06 | Base Frequency | Hz | 87.5 | 87.5 | 87.5 | 87.5 | 87.5 | 87.5 | 87.5 | 87.5 | 87.5 | 87.5 |
| E1-09 | Minimum Output Frequency | Hz | 4.4 | 4.4 | 4.4 | 4.4 | 4.4 | 4.4 | 4.4 | 4.4 | 4.4 | 4.4 |
| C5-17 | Motor Inertia | kgm ² | 0.064 | 0.116 | 0.140 | 0.259 | 0.31 | 0.42 | 0.56 | 0.83 | 0.96 | 1.61 |
| L3-24 | Motor Acceleration Time for Inertia Calculations | s | 0.098 | 0.130 | 0.127 | 0.193 | 0.191 | 0.187 | 0.208 | 0.254 | 0.243 | 0.338 |
| n5-02 | Motor Acceleration Time | s | 0.098 | 0.130 | 0.127 | 0.193 | 0.191 | 0.187 | 0.208 | 0.254 | 0.243 | 0.338 |
| n8-49 | d-Axis Current for High Efficiency Control (OLV/PM) | % | -15.1 | -16.8 | -14.1 | -8.8 | -9.6 | -10.3 | -17.0 | -21.7 | -10.9 | -13.2 |

B.7 Parameters that Change with the Motor Code Selection

Table B.14 200 V, 1450 r/min Type YASKAWA SSR1 Series IPM Motor

| No. | Name | Unit | Default Settings | | | | | | | |
|-------|---|------------------|------------------|--------|--------|--------|--------|-------|-------|-------|
| E5-01 | Motor Code Selection | – | 1302 | 1303 | 1305 | 1306 | 1308 | 130A | 130B | 130D |
| | Voltage Class | V | 200 | 200 | 200 | 200 | 200 | 200 | 200 | 200 |
| | Rated Power | kW | 0.4 | 0.75 | 1.5 | 2.2 | 3.7 | 5.5 | 7.5 | 11 |
| | Rated Speed | r/min | 1450 | 1450 | 1450 | 1450 | 1450 | 1450 | 1450 | 1450 |
| E5-02 | Motor Rated Power | kW | 0.4 | 0.75 | 1.5 | 2.2 | 3.7 | 5.5 | 7.5 | 11.0 |
| E5-03 | Motor Rated Current | A | 1.88 | 3.13 | 5.63 | 8.33 | 14.17 | 20.63 | 27.71 | 39.6 |
| E5-04 | Number of Motor Poles | – | 6 | 6 | 6 | 6 | 6 | 6 | 6 | 6 |
| E5-05 | Motor Stator Resistance (r1) | Ω | 3.190 | 1.940 | 1.206 | 0.665 | 0.341 | 0.252 | 0.184 | 0.099 |
| E5-06 | Motor d-Axis Inductance (Ld) | mH | 32.15 | 26.12 | 14.72 | 12.27 | 8.27 | 6.49 | 6.91 | 4.07 |
| E5-07 | Motor q-Axis Inductance (Lq) | mH | 41.74 | 34.30 | 20.15 | 14.77 | 9.81 | 7.74 | 7.66 | 4.65 |
| E5-09 | Motor Induction Voltage Constant 1 (Ke) | mVs/rad | 264.3 | 269.6 | 284.3 | 287.1 | 284.5 | 298.0 | 335.0 | 303.9 |
| E5-24 | Motor Induction Voltage Constant 2 (Ke) | mV/(r/min) | 0.0 | 0.0 | 0.0 | 0.0 | 0.0 | 0.0 | 0.0 | 0.0 |
| E1-04 | Maximum Output Frequency | Hz | 72.5 | 72.5 | 72.5 | 72.5 | 72.5 | 72.5 | 72.5 | 72.5 |
| E1-05 | Maximum Voltage | V | 190.0 | 190.0 | 190.0 | 190.0 | 190.0 | 190.0 | 190.0 | 190.0 |
| E1-06 | Base Frequency | Hz | 72.5 | 72.5 | 72.5 | 72.5 | 72.5 | 72.5 | 72.5 | 72.5 |
| E1-09 | Minimum Output Frequency | Hz | 3.6 | 3.6 | 3.6 | 3.6 | 3.6 | 3.6 | 3.6 | 3.6 |
| C5-17 | Motor Inertia | kgm ² | 0.0017 | 0.0023 | 0.0043 | 0.0083 | 0.0136 | 0.017 | 0.027 | 0.046 |
| L3-24 | Motor Acceleration Time for Inertia Calculations | s | 0.098 | 0.071 | 0.066 | 0.087 | 0.085 | 0.072 | 0.084 | 0.096 |
| n5-02 | Motor Acceleration Time | s | 0.098 | 0.071 | 0.066 | 0.087 | 0.085 | 0.072 | 0.084 | 0.096 |
| n8-49 | d-Axis Current for High Efficiency Control (OLV/PM) | % | -6.6 | -10.9 | -13.5 | -9.0 | -9.5 | -10.1 | -6.0 | -9.3 |

| No. | Name | Unit | Default Settings | | | | | | | |
|-------|---|------------------|------------------|-------|-------|-------|-------|-------|-------|--|
| E5-01 | Motor Code Selection | – | 130E | 130F | 1310 | 1312 | 1313 | 1314 | 1315 | |
| | Voltage Class | V | 200 | 200 | 200 | 200 | 200 | 200 | 200 | |
| | Rated Power | kW | 15 | 18 | 22 | 30 | 37 | 45 | 55 | |
| | Rated Speed | r/min | 1450 | 1450 | 1450 | 1450 | 1450 | 1450 | 1450 | |
| E5-02 | Motor Rated Power | kW | 15.00 | 18.50 | 22.00 | 30.00 | 37.00 | 45.00 | 55.00 | |
| E5-03 | Motor Rated Current | A | 55.5 | 65.6 | 75.1 | 105.2 | 126.0 | 153.1 | 186.5 | |
| E5-04 | Number of Motor Poles | – | 6 | 6 | 6 | 6 | 6 | 6 | 6 | |
| E5-05 | Motor Stator Resistance (r1) | Ω | 0.075 | 0.057 | 0.041 | 0.034 | 0.023 | 0.015 | 0.012 | |
| E5-06 | Motor d-Axis Inductance (Ld) | mH | 3.29 | 2.53 | 1.98 | 1.75 | 1.48 | 1.04 | 0.87 | |
| E5-07 | Motor q-Axis Inductance (Lq) | mH | 3.84 | 3.01 | 2.60 | 2.17 | 1.70 | 1.31 | 1.10 | |
| E5-09 | Motor Induction Voltage Constant 1 (Ke) | mVs/rad | 311.2 | 300.9 | 327.7 | 354.2 | 369.6 | 351.6 | 374.7 | |
| E5-24 | Motor Induction Voltage Constant 2 (Ke) | mV/(r/min) | 0.0 | 0.0 | 0.0 | 0.0 | 0.0 | 0.0 | 0.0 | |
| E1-04 | Maximum Output Frequency | Hz | 72.5 | 72.5 | 72.5 | 72.5 | 72.5 | 72.5 | 72.5 | |
| E1-05 | Maximum Voltage | V | 190.0 | 190.0 | 190.0 | 190.0 | 190.0 | 190.0 | 190.0 | |
| E1-06 | Base Frequency | Hz | 72.5 | 72.5 | 72.5 | 72.5 | 72.5 | 72.5 | 72.5 | |
| E1-09 | Minimum Output Frequency | Hz | 3.6 | 3.6 | 3.6 | 3.6 | 3.6 | 3.6 | 3.6 | |
| C5-17 | Motor Inertia | kgm ² | 0.055 | 0.064 | 0.116 | 0.140 | 0.259 | 0.312 | 0.42 | |
| L3-24 | Motor Acceleration Time for Inertia Calculations | s | 0.085 | 0.080 | 0.122 | 0.108 | 0.161 | 0.160 | 0.175 | |
| n5-02 | Motor Acceleration Time | s | 0.085 | 0.080 | 0.122 | 0.108 | 0.161 | 0.160 | 0.175 | |
| n8-49 | d-Axis Current for High Efficiency Control (OLV/PM) | % | -10.7 | -13.2 | -15.7 | -11.5 | -7.0 | -11.8 | -10.2 | |

B.7 Parameters that Change with the Motor Code Selection

Table B.15 400 V, 1450 r/min Type YASKAWA SSR1 Series IPM Motor

| No. | Name | Unit | Default Settings | | | | | | | | | |
|-------|---|------------------|------------------|--------|--------|--------|--------|-------|-------|-------|-------|-------|
| E5-01 | Motor Code Selection | – | 1332 | 1333 | 1335 | 1336 | 1338 | 133A | 133B | 133D | 133E | 133F |
| | Voltage Class | V | 400 | 400 | 400 | 400 | 400 | 400 | 400 | 400 | 400 | 400 |
| | Rated Power | kW | 0.4 | 0.75 | 1.5 | 2.2 | 3.7 | 5.5 | 7.5 | 11 | 15 | 18 |
| | Rated Speed | r/min | 1450 | 1450 | 1450 | 1450 | 1450 | 1450 | 1450 | 1450 | 1450 | 1450 |
| E5-02 | Motor Rated Power | kW | 0.4 | 0.75 | 1.5 | 2.2 | 3.7 | 5.5 | 7.5 | 11.0 | 15 | 18.50 |
| E5-03 | Motor Rated Current | A | 0.94 | 1.56 | 2.81 | 4.27 | 6.98 | 10.21 | 13.85 | 19.5 | 27.4 | 32.9 |
| E5-04 | Number of Motor Poles | – | 6 | 6 | 6 | 6 | 6 | 6 | 6 | 6 | 6 | 6 |
| E5-05 | Motor Stator Resistance (r1) | Ω | 12.760 | 7.421 | 4.825 | 2.656 | 1.353 | 0.999 | 0.713 | 0.393 | 0.295 | 0.223 |
| E5-06 | Motor d-Axis Inductance (Ld) | mH | 128.60 | 85.11 | 58.87 | 46.42 | 31.73 | 26.20 | 27.06 | 15.51 | 12.65 | 9.87 |
| E5-07 | Motor q-Axis Inductance (Lq) | mH | 166.96 | 113.19 | 80.59 | 60.32 | 40.45 | 30.94 | 33.45 | 19.63 | 15.87 | 12.40 |
| E5-09 | Motor Induction Voltage Constant 1 (Ke) | mVs/rad | 528.6 | 544.2 | 568.5 | 572.8 | 562.9 | 587.6 | 670.1 | 612.7 | 624.6 | 610.4 |
| E5-24 | Motor Induction Voltage Constant 2 (Ke) | mV/(r/min) | 0.0 | 0.0 | 0.0 | 0.0 | 0.0 | 0.0 | 0.0 | 0.0 | 0.0 | 0.0 |
| E1-04 | Maximum Output Frequency | Hz | 72.5 | 72.5 | 72.5 | 72.5 | 72.5 | 72.5 | 72.5 | 72.5 | 72.5 | 72.5 |
| E1-05 | Maximum Voltage | V | 380.0 | 380.0 | 380.0 | 380.0 | 380.0 | 380.0 | 380.0 | 380.0 | 380.0 | 380.0 |
| E1-06 | Base Frequency | Hz | 72.5 | 72.5 | 72.5 | 72.5 | 72.5 | 72.5 | 72.5 | 72.5 | 72.5 | 72.5 |
| E1-09 | Minimum Output Frequency | Hz | 3.6 | 3.6 | 3.6 | 3.6 | 3.6 | 3.6 | 3.6 | 3.6 | 3.6 | 3.6 |
| C5-17 | Motor Inertia | kgm ² | 0.0017 | 0.0023 | 0.0043 | 0.0083 | 0.0136 | 0.017 | 0.027 | 0.046 | 0.055 | 0.064 |
| L3-24 | Motor Acceleration Time for Inertia Calculations | s | 0.098 | 0.071 | 0.066 | 0.087 | 0.085 | 0.072 | 0.084 | 0.096 | 0.085 | 0.080 |
| n5-02 | Motor Acceleration Time | s | 0.098 | 0.071 | 0.066 | 0.087 | 0.085 | 0.072 | 0.084 | 0.096 | 0.085 | 0.080 |
| n8-49 | d-Axis Current for High Efficiency Control (OLV/PM) | % | -6.6 | -9.2 | -13.5 | -12.1 | -13.7 | -10.1 | -12.2 | -15.5 | -15.1 | -16.0 |

| No. | Name | Unit | Default Settings | | | | | | | | | |
|-------|---|------------------|------------------|-------|-------|-------|-------|-------|-------|--------|--------|--|
| E5-01 | Motor Code Selection | – | 1340 | 1342 | 1343 | 1344 | 1345 | 1346 | 1347 | 1348 | 1349 | |
| | Voltage Class | V | 400 | 400 | 400 | 400 | 400 | 400 | 400 | 400 | 400 | |
| | Rated Power | kW | 22 | 30 | 37 | 45 | 55 | 75 | 90 | 110 | 132 | |
| | Rated Speed | r/min | 1450 | 1450 | 1450 | 1450 | 1450 | 1450 | 1450 | 1450 | 1450 | |
| E5-02 | Motor Rated Power | kW | 22.00 | 30.00 | 37.00 | 45.00 | 55.00 | 75.00 | 90.00 | 110.00 | 132.00 | |
| E5-03 | Motor Rated Current | A | 37.6 | 52.5 | 63.2 | 76.4 | 96.1 | 124.0 | 153.1 | 186.5 | 226.0 | |
| E5-04 | Number of Motor Poles | – | 6 | 6 | 6 | 6 | 6 | 6 | 6 | 6 | 6 | |
| E5-05 | Motor Stator Resistance (r1) | Ω | 0.164 | 0.137 | 0.093 | 0.059 | 0.048 | 0.028 | 0.024 | 0.015 | 0.011 | |
| E5-06 | Motor d-Axis Inductance (Ld) | mH | 7.90 | 7.01 | 5.93 | 4.17 | 3.11 | 2.32 | 2.20 | 1.45 | 1.23 | |
| E5-07 | Motor q-Axis Inductance (Lq) | mH | 10.38 | 8.68 | 6.79 | 5.22 | 4.55 | 2.97 | 3.23 | 1.88 | 1.67 | |
| E5-09 | Motor Induction Voltage Constant 1 (Ke) | mVs/rad | 655.4 | 708.4 | 739.2 | 703.0 | 747.1 | 639.3 | 708.0 | 640.7 | 677.0 | |
| E5-24 | Motor Induction Voltage Constant 2 (Ke) | mV/(r/min) | 0.0 | 0.0 | 0.0 | 0.0 | 0.0 | 0.0 | 0.0 | 0.0 | 0.0 | |
| E1-04 | Maximum Output Frequency | Hz | 72.5 | 72.5 | 72.5 | 72.5 | 72.5 | 72.5 | 72.5 | 72.5 | 72.5 | |
| E1-05 | Maximum Voltage | V | 380.0 | 380.0 | 380.0 | 380.0 | 380.0 | 380.0 | 380.0 | 380.0 | 380.0 | |
| E1-06 | Base Frequency | Hz | 72.5 | 72.5 | 72.5 | 72.5 | 72.5 | 72.5 | 72.5 | 72.5 | 72.5 | |
| E1-09 | Minimum Output Frequency | Hz | 3.6 | 3.6 | 3.6 | 3.6 | 3.6 | 3.6 | 3.6 | 3.6 | 3.6 | |
| C5-17 | Motor Inertia | kgm ² | 0.116 | 0.140 | 0.259 | 0.312 | 0.42 | 0.56 | 0.83 | 0.96 | 1.61 | |
| L3-24 | Motor Acceleration Time for Inertia Calculations | s | 0.122 | 0.108 | 0.161 | 0.160 | 0.175 | 0.171 | 0.213 | 0.201 | 0.281 | |
| n5-02 | Motor Acceleration Time | s | 0.122 | 0.108 | 0.161 | 0.160 | 0.175 | 0.171 | 0.213 | 0.201 | 0.281 | |
| n8-49 | d-Axis Current for High Efficiency Control (OLV/PM) | % | -15.7 | -11.5 | -6.8 | -11.5 | -14.8 | -15.8 | -19.6 | -14.9 | -15.1 | |

B.7 Parameters that Change with the Motor Code Selection

Table B.16 200 V, 1150 r/min Type YASKAWA SSR1 Series IPM Motor

| No. | Name | Unit | Default Settings | | | | | | |
|-------|---|------------------|------------------|--------|--------|--------|--------|-------|-------|
| E5-01 | Motor Code Selection | – | 1402 | 1403 | 1405 | 1406 | 1408 | 140A | 140B |
| | Voltage Class | V | 200 | 200 | 200 | 200 | 200 | 200 | 200 |
| | Rated Power | kW | 0.4 | 0.75 | 1.5 | 2.2 | 3.7 | 5.5 | 7.5 |
| | Rated Speed | r/min | 1150 | 1150 | 1150 | 1150 | 1150 | 1150 | 1150 |
| E5-02 | Motor Rated Power | kW | 0.4 | 0.75 | 1.5 | 2.2 | 3.7 | 5.5 | 7.5 |
| E5-03 | Motor Rated Current | A | 1.88 | 3.02 | 6.00 | 8.85 | 14.27 | 20.21 | 26.67 |
| E5-04 | Number of Motor Poles | – | 6 | 6 | 6 | 6 | 6 | 6 | 6 |
| E5-05 | Motor Stator Resistance (r1) | Ω | 4.832 | 2.704 | 1.114 | 0.511 | 0.412 | 0.303 | 0.165 |
| E5-06 | Motor d-Axis Inductance (Ld) | mH | 48.68 | 32.31 | 19.22 | 12.15 | 7.94 | 11.13 | 6.59 |
| E5-07 | Motor q-Axis Inductance (Lq) | mH | 63.21 | 40.24 | 24.38 | 15.35 | 11.86 | 14.06 | 8.55 |
| E5-09 | Motor Induction Voltage Constant 1 (Ke) | mVs/rad | 320.4 | 327.1 | 364.4 | 344.4 | 357.5 | 430.8 | 391.5 |
| E5-24 | Motor Induction Voltage Constant 2 (Ke) | mV/(r/min) | 0.0 | 0.0 | 0.0 | 0.0 | 0.0 | 0.0 | 0.0 |
| E1-04 | Maximum Output Frequency | Hz | 57.5 | 57.5 | 57.5 | 57.5 | 57.5 | 57.5 | 57.5 |
| E1-05 | Maximum Voltage | V | 190.0 | 190.0 | 190.0 | 190.0 | 190.0 | 190.0 | 190.0 |
| E1-06 | Base Frequency | Hz | 57.5 | 57.5 | 57.5 | 57.5 | 57.5 | 57.5 | 57.5 |
| E1-09 | Minimum Output Frequency | Hz | 2.9 | 2.9 | 2.9 | 2.9 | 2.9 | 2.9 | 2.9 |
| C5-17 | Motor Inertia | kgm ² | 0.0017 | 0.0023 | 0.0083 | 0.0136 | 0.0171 | 0.027 | 0.046 |
| L3-24 | Motor Acceleration Time for Inertia Calculations | s | 0.062 | 0.044 | 0.080 | 0.090 | 0.067 | 0.072 | 0.088 |
| n5-02 | Motor Acceleration Time | s | 0.062 | 0.044 | 0.080 | 0.090 | 0.067 | 0.072 | 0.088 |
| n8-49 | d-Axis Current for High Efficiency Control (OLV/PM) | % | -8.8 | -9.9 | -9.3 | -10.0 | -17.7 | -12.3 | -15.3 |

| No. | Name | Unit | Default Settings | | | | | | |
|-------|---|------------------|------------------|-------|-------|-------|-------|-------|-------|
| E5-01 | Motor Code Selection | – | 140D | 140E | 140F | 1410 | 1412 | 1413 | 1414 |
| | Voltage Class | V | 200 | 200 | 200 | 200 | 200 | 200 | 200 |
| | Rated Power | kW | 11 | 15 | 18 | 22 | 30 | 37 | 45 |
| | Rated Speed | r/min | 1150 | 1150 | 1150 | 1150 | 1150 | 1150 | 1150 |
| E5-02 | Motor Rated Power | kW | 11.0 | 15 | 18.50 | 22.00 | 30.00 | 37.00 | 45.00 |
| E5-03 | Motor Rated Current | A | 39.9 | 55.6 | 63.5 | 74.4 | 104.2 | 129.6 | 154.2 |
| E5-04 | Number of Motor Poles | – | 6 | 6 | 6 | 6 | 6 | 6 | 6 |
| E5-05 | Motor Stator Resistance (r1) | Ω | 0.113 | 0.084 | 0.066 | 0.048 | 0.035 | 0.023 | 0.016 |
| E5-06 | Motor d-Axis Inductance (Ld) | mH | 4.96 | 3.83 | 3.33 | 2.38 | 2.04 | 1.53 | 1.16 |
| E5-07 | Motor q-Axis Inductance (Lq) | mH | 6.12 | 4.65 | 4.50 | 3.15 | 2.86 | 2.27 | 1.54 |
| E5-09 | Motor Induction Voltage Constant 1 (Ke) | mVs/rad | 384.4 | 372.1 | 421.3 | 410.9 | 436.1 | 428.8 | 433.3 |
| E5-24 | Motor Induction Voltage Constant 2 (Ke) | mV/(r/min) | 0.0 | 0.0 | 0.0 | 0.0 | 0.0 | 0.0 | 0.0 |
| E1-04 | Maximum Output Frequency | Hz | 57.5 | 57.5 | 57.5 | 57.5 | 57.5 | 57.5 | 57.5 |
| E1-05 | Maximum Voltage | V | 190.0 | 190.0 | 190.0 | 190.0 | 190.0 | 190.0 | 190.0 |
| E1-06 | Base Frequency | Hz | 57.5 | 57.5 | 57.5 | 57.5 | 57.5 | 57.5 | 57.5 |
| E1-09 | Minimum Output Frequency | Hz | 2.9 | 2.9 | 2.9 | 2.9 | 2.9 | 2.9 | 2.9 |
| C5-17 | Motor Inertia | kgm ² | 0.055 | 0.064 | 0.116 | 0.140 | 0.259 | 0.312 | 0.418 |
| L3-24 | Motor Acceleration Time for Inertia Calculations | s | 0.073 | 0.062 | 0.091 | 0.092 | 0.125 | 0.122 | 0.135 |
| n5-02 | Motor Acceleration Time | s | 0.073 | 0.062 | 0.091 | 0.092 | 0.125 | 0.122 | 0.135 |
| n8-49 | d-Axis Current for High Efficiency Control (OLV/PM) | % | -13.9 | -14.4 | -17.9 | -15.9 | -17.9 | -20.1 | -13.7 |

Table B.17 400 V, 1150 r/min Type YASKAWA SSR1 Series IPM Motor

| No. | Name | Unit | Default Settings | | | | | | | | |
|-------|---|------------------|------------------|--------|--------|--------|--------|-------|-------|-------|-------|
| E5-01 | Motor Code Selection | – | 1432 | 1433 | 1435 | 1436 | 1438 | 143A | 143B | 143D | 143E |
| | Voltage Class | V | 400 | 400 | 400 | 400 | 400 | 400 | 400 | 400 | 400 |
| | Rated Power | kW | 0.4 | 0.75 | 1.5 | 2.2 | 3.7 | 5.5 | 7.5 | 11 | 15 |
| | Rated Speed | r/min | 1150 | 1150 | 1150 | 1150 | 1150 | 1150 | 1150 | 1150 | 1150 |
| E5-02 | Motor Rated Power | kW | 0.4 | 0.75 | 1.5 | 2.2 | 3.7 | 5.5 | 7.5 | 11.0 | 15 |
| E5-03 | Motor Rated Current | A | 0.94 | 1.51 | 3.00 | 4.43 | 7.08 | 10.10 | 13.33 | 19.9 | 27.8 |
| E5-04 | Number of Motor Poles | – | 6 | 6 | 6 | 6 | 6 | 6 | 6 | 6 | 6 |
| E5-05 | Motor Stator Resistance (r1) | Ω | 19.320 | 10.800 | 4.456 | 2.044 | 1.483 | 1.215 | 0.660 | 0.443 | 0.331 |
| E5-06 | Motor d-Axis Inductance (Ld) | mH | 194.70 | 129.20 | 76.88 | 48.60 | 37.58 | 44.54 | 26.36 | 19.10 | 15.09 |
| E5-07 | Motor q-Axis Inductance (Lq) | mH | 252.84 | 160.90 | 97.52 | 61.40 | 47.65 | 56.26 | 34.20 | 24.67 | 18.56 |
| E5-09 | Motor Induction Voltage Constant 1 (Ke) | mVs/rad | 640.9 | 654.1 | 728.8 | 688.9 | 702.0 | 861.5 | 783.0 | 762.2 | 749.6 |
| E5-24 | Motor Induction Voltage Constant 2 (Ke) | mV/(r/min) | 0.0 | 0.0 | 0.0 | 0.0 | 0.0 | 0.0 | 0.0 | 0.0 | 0.0 |
| E1-04 | Maximum Output Frequency | Hz | 57.5 | 57.5 | 57.5 | 57.5 | 57.5 | 57.5 | 57.5 | 57.5 | 57.5 |
| E1-05 | Maximum Voltage | V | 380.0 | 380.0 | 380.0 | 380.0 | 380.0 | 380.0 | 380.0 | 380.0 | 380.0 |
| E1-06 | Base Frequency | Hz | 57.5 | 57.5 | 57.5 | 57.5 | 57.5 | 57.5 | 57.5 | 57.5 | 57.5 |
| E1-09 | Minimum Output Frequency | Hz | 2.9 | 2.9 | 2.9 | 2.9 | 2.9 | 2.9 | 2.9 | 2.9 | 2.9 |
| C5-17 | Motor Inertia | kgm ² | 0.0017 | 0.0023 | 0.0083 | 0.0136 | 0.0171 | 0.027 | 0.046 | 0.055 | 0.064 |
| L3-24 | Motor Acceleration Time for Inertia Calculations | s | 0.062 | 0.044 | 0.080 | 0.090 | 0.067 | 0.072 | 0.088 | 0.073 | 0.062 |
| n5-02 | Motor Acceleration Time | s | 0.062 | 0.044 | 0.080 | 0.090 | 0.067 | 0.072 | 0.088 | 0.073 | 0.062 |
| n8-49 | d-Axis Current for High Efficiency Control (OLV/PM) | % | -8.8 | -9.9 | -9.3 | -10.0 | -12.8 | -12.3 | -15.3 | -16.7 | -14.9 |

| No. | Name | Unit | Default Settings | | | | | | | | |
|-------|---|------------------|------------------|-------|-------|-------|-------|-------|-------|-------|--------|
| E5-01 | Motor Code Selection | – | 143F | 1440 | 1442 | 1443 | 1444 | 1445 | 1446 | 1447 | 1448 |
| | Voltage Class | V | 400 | 400 | 400 | 400 | 400 | 400 | 400 | 400 | 400 |
| | Rated Power | kW | 18 | 22 | 30 | 37 | 45 | 55 | 75 | 90 | 110 |
| | Rated Speed | r/min | 1150 | 1150 | 1150 | 1150 | 1150 | 1150 | 1150 | 1150 | 1150 |
| E5-02 | Motor Rated Power | kW | 18.50 | 22.00 | 30.00 | 37.00 | 45.00 | 55.00 | 75.00 | 90.00 | 110.00 |
| E5-03 | Motor Rated Current | A | 31.8 | 37.2 | 52.1 | 64.8 | 76.6 | 92.0 | 127.1 | 150.5 | 185.4 |
| E5-04 | Number of Motor Poles | – | 6 | 6 | 6 | 6 | 6 | 6 | 6 | 6 | 6 |
| E5-05 | Motor Stator Resistance (r1) | Ω | 0.264 | 0.192 | 0.140 | 0.093 | 0.063 | 0.051 | 0.033 | 0.027 | 0.015 |
| E5-06 | Motor d-Axis Inductance (Ld) | mH | 13.32 | 9.52 | 8.16 | 6.13 | 4.63 | 3.96 | 3.03 | 2.60 | 1.89 |
| E5-07 | Motor q-Axis Inductance (Lq) | mH | 18.00 | 12.60 | 11.40 | 9.10 | 6.15 | 5.00 | 5.14 | 3.28 | 2.33 |
| E5-09 | Motor Induction Voltage Constant 1 (Ke) | mVs/rad | 842.7 | 821.8 | 872.3 | 857.7 | 866.6 | 854.0 | 823.1 | 853.4 | 829.2 |
| E5-24 | Motor Induction Voltage Constant 2 (Ke) | mV/(r/min) | 0.0 | 0.0 | 0.0 | 0.0 | 0.0 | 0.0 | 0.0 | 0.0 | 0.0 |
| E1-04 | Maximum Output Frequency | Hz | 57.5 | 57.5 | 57.5 | 57.5 | 57.5 | 57.5 | 57.5 | 57.5 | 57.5 |
| E1-05 | Maximum Voltage | V | 380.0 | 380.0 | 380.0 | 380.0 | 380.0 | 380.0 | 380.0 | 380.0 | 380.0 |
| E1-06 | Base Frequency | Hz | 57.5 | 57.5 | 57.5 | 57.5 | 57.5 | 57.5 | 57.5 | 57.5 | 57.5 |
| E1-09 | Minimum Output Frequency | Hz | 2.9 | 2.9 | 2.9 | 2.9 | 2.9 | 2.9 | 2.9 | 2.9 | 2.9 |
| C5-17 | Motor Inertia | kgm ² | 0.116 | 0.140 | 0.259 | 0.312 | 0.418 | 0.56 | 0.83 | 0.96 | 1.61 |
| L3-24 | Motor Acceleration Time for Inertia Calculations | s | 0.091 | 0.092 | 0.125 | 0.122 | 0.135 | 0.147 | 0.161 | 0.154 | 0.212 |
| n5-02 | Motor Acceleration Time | s | 0.091 | 0.092 | 0.125 | 0.122 | 0.135 | 0.147 | 0.161 | 0.154 | 0.212 |
| n8-49 | d-Axis Current for High Efficiency Control (OLV/PM) | % | -17.9 | -15.9 | -17.7 | -20.1 | -13.8 | -12.5 | -28.8 | -13.3 | -11.6 |

B.7 Parameters that Change with the Motor Code Selection

◆ YASKAWA SST4 Series IPM Motor (For Constant Torque)

Table B.18 200 V, 1750 r/min Type YASKAWA SST4 Series IPM Motor

| No. | Name | Unit | Default Settings | | | | | | | |
|-------|---|------------------|------------------|--------|--------|--------|--------|-------|-------|-------|
| E5-01 | Motor Code Selection | – | 2202 | 2203 | 2205 | 2206 | 2208 | 220A | 220B | 220D |
| | Voltage Class | V | 200 | 200 | 200 | 200 | 200 | 200 | 200 | 200 |
| | Rated Power | kW | 0.4 | 0.75 | 1.5 | 2.2 | 3.7 | 5.5 | 7.5 | 11 |
| | Rated Speed | r/min | 1750 | 1750 | 1750 | 1750 | 1750 | 1750 | 1750 | 1750 |
| E5-02 | Motor Rated Power | kW | 0.4 | 0.75 | 1.5 | 2.2 | 3.7 | 5.5 | 7.5 | 11.0 |
| E5-03 | Motor Rated Current | A | 1.77 | 3.54 | 6.56 | 8.96 | 14.79 | 20.94 | 29.58 | 41.1 |
| E5-04 | Number of Motor Poles | – | 6 | 6 | 6 | 6 | 6 | 6 | 6 | 6 |
| E5-05 | Motor Stator Resistance (r1) | Ω | 2.247 | 1.132 | 0.774 | 0.479 | 0.242 | 0.275 | 0.161 | 0.111 |
| E5-06 | Motor d-Axis Inductance (Ld) | mH | 22.32 | 12.38 | 8.90 | 7.39 | 5.06 | 5.82 | 3.86 | 3.59 |
| E5-07 | Motor q-Axis Inductance (Lq) | mH | 32.50 | 15.72 | 11.96 | 9.63 | 6.42 | 6.74 | 4.66 | 4.32 |
| E5-09 | Motor Induction Voltage Constant 1 (Ke) | mVs/rad | 215.2 | 203.9 | 219.3 | 230.6 | 235.1 | 251.7 | 235.7 | 252.0 |
| E5-24 | Motor Induction Voltage Constant 2 (Ke) | mV/(r/min) | 0.0 | 0.0 | 0.0 | 0.0 | 0.0 | 0.0 | 0.0 | 0.0 |
| E1-04 | Maximum Output Frequency | Hz | 87.5 | 87.5 | 87.5 | 87.5 | 87.5 | 87.5 | 87.5 | 87.5 |
| E1-05 | Maximum Voltage | V | 190.0 | 190.0 | 190.0 | 190.0 | 190.0 | 190.0 | 190.0 | 190.0 |
| E1-06 | Base Frequency | Hz | 87.5 | 87.5 | 87.5 | 87.5 | 87.5 | 87.5 | 87.5 | 87.5 |
| E1-09 | Minimum Output Frequency | Hz | 4.4 | 4.4 | 4.4 | 4.4 | 4.4 | 4.4 | 4.4 | 4.4 |
| C5-17 | Motor Inertia | kgm ² | 0.0016 | 0.0022 | 0.0042 | 0.0081 | 0.0133 | 0.013 | 0.017 | 0.027 |
| L3-24 | Motor Acceleration Time for Inertia Calculations | s | 0.134 | 0.099 | 0.094 | 0.124 | 0.121 | 0.081 | 0.075 | 0.082 |
| n5-02 | Motor Acceleration Time | s | 0.134 | 0.099 | 0.094 | 0.124 | 0.121 | 0.081 | 0.075 | 0.082 |
| n8-49 | d-Axis Current for High Efficiency Control (OLV/PM) | % | -9.3 | -6.4 | -10.0 | -9.9 | -9.7 | -8.4 | -11.5 | -13.1 |

| No. | Name | Unit | Default Settings | | | | | | | |
|-------|---|------------------|------------------|-------|-------|-------|-------|-------|-------|-------|
| E5-01 | Motor Code Selection | – | 220E | 220F | 2210 | 2212 | 2213 | 2214 | 2215 | 2216 |
| | Voltage Class | V | 200 | 200 | 200 | 200 | 200 | 200 | 200 | 200 |
| | Rated Power | kW | 15 | 18 | 22 | 30 | 37 | 45 | 55 | 75 |
| | Rated Speed | r/min | 1750 | 1750 | 1750 | 1750 | 1750 | 1750 | 1750 | 1750 |
| E5-02 | Motor Rated Power | kW | 15 | 18.50 | 22.00 | 30.00 | 37.00 | 45.00 | 55.00 | 75.00 |
| E5-03 | Motor Rated Current | A | 54.2 | 68.2 | 78.6 | 104.2 | 129.2 | 153.1 | 205.2 | 260.4 |
| E5-04 | Number of Motor Poles | – | 6 | 6 | 6 | 6 | 6 | 6 | 6 | 6 |
| E5-05 | Motor Stator Resistance (r1) | Ω | 0.071 | 0.049 | 0.040 | 0.030 | 0.020 | 0.013 | 0.009 | 0.006 |
| E5-06 | Motor d-Axis Inductance (Ld) | mH | 2.67 | 1.98 | 1.69 | 1.31 | 0.88 | 0.77 | 0.55 | 0.40 |
| E5-07 | Motor q-Axis Inductance (Lq) | mH | 3.10 | 2.41 | 2.12 | 1.61 | 1.14 | 1.04 | 0.69 | 0.50 |
| E5-09 | Motor Induction Voltage Constant 1 (Ke) | mVs/rad | 253.7 | 244.6 | 256.3 | 283.1 | 266.3 | 260.0 | 261.5 | 259.3 |
| E5-24 | Motor Induction Voltage Constant 2 (Ke) | mV/(r/min) | 0.0 | 0.0 | 0.0 | 0.0 | 0.0 | 0.0 | 0.0 | 0.0 |
| E1-04 | Maximum Output Frequency | Hz | 87.5 | 87.5 | 87.5 | 87.5 | 87.5 | 87.5 | 87.5 | 87.5 |
| E1-05 | Maximum Voltage | V | 190.0 | 190.0 | 190.0 | 190.0 | 190.0 | 190.0 | 190.0 | 190.0 |
| E1-06 | Base Frequency | Hz | 87.5 | 87.5 | 87.5 | 87.5 | 87.5 | 87.5 | 87.5 | 87.5 |
| E1-09 | Minimum Output Frequency | Hz | 4.4 | 4.4 | 4.4 | 4.4 | 4.4 | 4.4 | 4.4 | 4.4 |
| C5-17 | Motor Inertia | kgm ² | 0.044 | 0.054 | 0.063 | 0.113 | 0.137 | 0.252 | 0.30 | 0.41 |
| L3-24 | Motor Acceleration Time for Inertia Calculations | s | 0.099 | 0.098 | 0.096 | 0.127 | 0.124 | 0.188 | 0.186 | 0.184 |
| n5-02 | Motor Acceleration Time | s | 0.099 | 0.098 | 0.096 | 0.127 | 0.124 | 0.188 | 0.186 | 0.184 |
| n8-49 | d-Axis Current for High Efficiency Control (OLV/PM) | % | -10.9 | -14.3 | -15.1 | -11.3 | -14.1 | -18.8 | -11.4 | -12.2 |

B.7 Parameters that Change with the Motor Code Selection

Table B.19 400 V, 1750 r/min Type YASKAWA SST4 Series IPM Motor

| No. | Name | Unit | Default Settings | | | | | | | |
|-------|---|------------------|------------------|--------|--------|--------|--------|-------|-------|-------|
| E5-01 | Motor Code Selection | – | 2232 | 2233 | 2235 | 2236 | 2238 | 223A | 223B | 223D |
| | Voltage Class | V | 400 | 400 | 400 | 400 | 400 | 400 | 400 | 400 |
| | Rated Power | kW | 0.4 | 0.75 | 1.5 | 2.2 | 3.7 | 5.5 | 7.5 | 11 |
| | Rated Speed | r/min | 1750 | 1750 | 1750 | 1750 | 1750 | 1750 | 1750 | 1750 |
| E5-02 | Motor Rated Power | kW | 0.4 | 0.75 | 1.5 | 2.2 | 3.7 | 5.5 | 7.5 | 11.0 |
| E5-03 | Motor Rated Current | A | 0.92 | 1.77 | 3.33 | 4.48 | 7.50 | 10.42 | 14.27 | 20.5 |
| E5-04 | Number of Motor Poles | – | 6 | 6 | 6 | 6 | 6 | 6 | 6 | 6 |
| E5-05 | Motor Stator Resistance (r1) | Ω | 8.935 | 4.570 | 3.096 | 1.906 | 0.972 | 1.103 | 0.630 | 0.429 |
| E5-06 | Motor d-Axis Inductance (Ld) | mH | 80.14 | 48.04 | 35.60 | 30.31 | 20.03 | 23.41 | 14.86 | 14.34 |
| E5-07 | Motor q-Axis Inductance (Lq) | mH | 110.76 | 64.88 | 47.84 | 38.36 | 24.97 | 28.70 | 17.25 | 17.25 |
| E5-09 | Motor Induction Voltage Constant 1 (Ke) | mVs/rad | 416.5 | 399.4 | 438.5 | 475.5 | 463.7 | 485.8 | 470.4 | 513.4 |
| E5-24 | Motor Induction Voltage Constant 2 (Ke) | mV/(r/min) | 0.0 | 0.0 | 0.0 | 0.0 | 0.0 | 0.0 | 0.0 | 0.0 |
| E1-04 | Maximum Output Frequency | Hz | 87.5 | 87.5 | 87.5 | 87.5 | 87.5 | 87.5 | 87.5 | 87.5 |
| E1-05 | Maximum Voltage | V | 380.0 | 380.0 | 380.0 | 380.0 | 380.0 | 380.0 | 380.0 | 380.0 |
| E1-06 | Base Frequency | Hz | 87.5 | 87.5 | 87.5 | 87.5 | 87.5 | 87.5 | 87.5 | 87.5 |
| E1-09 | Minimum Output Frequency | Hz | 4.4 | 4.4 | 4.4 | 4.4 | 4.4 | 4.4 | 4.4 | 4.4 |
| C5-17 | Motor Inertia | kgm ² | 0.0016 | 0.0022 | 0.0042 | 0.0081 | 0.0133 | 0.013 | 0.017 | 0.027 |
| L3-24 | Motor Acceleration Time for Inertia Calculations | s | 0.134 | 0.099 | 0.094 | 0.124 | 0.121 | 0.081 | 0.075 | 0.082 |
| n5-02 | Motor Acceleration Time | s | 0.134 | 0.099 | 0.094 | 0.124 | 0.121 | 0.081 | 0.075 | 0.082 |
| n8-49 | d-Axis Current for High Efficiency Control (OLV/PM) | % | -7.5 | -8.5 | -9.8 | -8.2 | -9.1 | -13.1 | -9.2 | -12.4 |

| No. | Name | Unit | Default Settings | | | | | | | |
|-------|---|------------------|------------------|-------|-------|-------|-------|-------|-------|-------|
| E5-01 | Motor Code Selection | – | 223E | 223F | 2240 | 2242 | 2243 | 2244 | 2245 | 2246 |
| | Voltage Class | V | 400 | 400 | 400 | 400 | 400 | 400 | 400 | 400 |
| | Rated Power | kW | 15 | 18 | 22 | 30 | 37 | 45 | 55 | 75 |
| | Rated Speed | r/min | 1750 | 1750 | 1750 | 1750 | 1750 | 1750 | 1750 | 1750 |
| E5-02 | Motor Rated Power | kW | 15 | 18.50 | 22.00 | 30.00 | 37.00 | 45.00 | 55.00 | 75.00 |
| E5-03 | Motor Rated Current | A | 26.4 | 34.2 | 38.8 | 52.2 | 65.4 | 77.6 | 99.3 | 130.2 |
| E5-04 | Number of Motor Poles | – | 6 | 6 | 6 | 6 | 6 | 6 | 6 | 6 |
| E5-05 | Motor Stator Resistance (r1) | Ω | 0.275 | 0.196 | 0.160 | 0.120 | 0.077 | 0.052 | 0.036 | 0.023 |
| E5-06 | Motor d-Axis Inductance (Ld) | mH | 9.99 | 7.92 | 6.82 | 5.24 | 3.57 | 2.98 | 1.59 | 1.59 |
| E5-07 | Motor q-Axis Inductance (Lq) | mH | 12.37 | 9.64 | 8.51 | 6.44 | 4.65 | 3.75 | 2.78 | 1.97 |
| E5-09 | Motor Induction Voltage Constant 1 (Ke) | mVs/rad | 505.3 | 489.2 | 509.5 | 566.2 | 531.6 | 530.6 | 515.2 | 515.2 |
| E5-24 | Motor Induction Voltage Constant 2 (Ke) | mV/(r/min) | 0.0 | 0.0 | 0.0 | 0.0 | 0.0 | 0.0 | 0.0 | 0.0 |
| E1-04 | Maximum Output Frequency | Hz | 87.5 | 87.5 | 87.5 | 87.5 | 87.5 | 87.5 | 87.5 | 87.5 |
| E1-05 | Maximum Voltage | V | 380.0 | 380.0 | 380.0 | 380.0 | 380.0 | 380.0 | 380.0 | 380.0 |
| E1-06 | Base Frequency | Hz | 87.5 | 87.5 | 87.5 | 87.5 | 87.5 | 87.5 | 87.5 | 87.5 |
| E1-09 | Minimum Output Frequency | Hz | 4.4 | 4.4 | 4.4 | 4.4 | 4.4 | 4.4 | 4.4 | 4.4 |
| C5-17 | Motor Inertia | kgm ² | 0.044 | 0.054 | 0.063 | 0.113 | 0.137 | 0.252 | 0.30 | 0.41 |
| L3-24 | Motor Acceleration Time for Inertia Calculations | s | 0.099 | 0.098 | 0.096 | 0.127 | 0.124 | 0.188 | 0.186 | 0.184 |
| n5-02 | Motor Acceleration Time | s | 0.099 | 0.098 | 0.096 | 0.127 | 0.124 | 0.188 | 0.186 | 0.184 |
| n8-49 | d-Axis Current for High Efficiency Control (OLV/PM) | % | -15.1 | -14.3 | -15.3 | -11.3 | -14.5 | -13.2 | -22.6 | -11.9 |

B.7 Parameters that Change with the Motor Code Selection

| No. | Name | Unit | Default Settings | | | | | | |
|-------|---|------------------|------------------|--------|--------|--------|--------|--------|--------|
| E5-01 | Motor Code Selection | – | 2247 | 2248 | 2249 | 224A | 224C | 224D | 224E |
| | Voltage Class | V | 400 | 400 | 400 | 400 | 400 | 400 | 400 |
| | Rated Power | kW | 90 | 110 | 132 | 160 | 200 | 220 | 300 |
| | Rated Speed | r/min | 1750 | 1750 | 1750 | 1750 | 1750 | 1750 | 1750 |
| E5-02 | Motor Rated Power | kW | 90.00 | 110.00 | 132.00 | 160.00 | 200.00 | 250.00 | 300.00 |
| E5-03 | Motor Rated Current | A | 153.1 | 184.4 | 229.2 | 269.8 | 346.9 | 421.9 | 520.8 |
| E5-04 | Number of Motor Poles | – | 6 | 6 | 6 | 6 | 6 | 6 | 6 |
| E5-05 | Motor Stator Resistance (r1) | Ω | 0.019 | 0.017 | 0.012 | 0.008 | 0.005 | 0.004 | 0.002 |
| E5-06 | Motor d-Axis Inductance (Ld) | mH | 1.51 | 1.43 | 1.13 | 0.96 | 0.65 | 0.67 | 0.40 |
| E5-07 | Motor q-Axis Inductance (Lq) | mH | 1.76 | 1.92 | 1.54 | 1.26 | 0.88 | 0.74 | 0.52 |
| E5-09 | Motor Induction Voltage Constant 1 (Ke) | mVs/rad | 538.3 | 590.9 | 548.2 | 603.9 | 556.8 | 593.1 | 495.4 |
| E5-24 | Motor Induction Voltage Constant 2 (Ke) | mV/(r/min) | 0.0 | 0.0 | 0.0 | 0.0 | 0.0 | 0.0 | 0.0 |
| E1-04 | Maximum Output Frequency | Hz | 87.5 | 87.5 | 87.5 | 87.5 | 87.5 | 87.5 | 87.5 |
| E1-05 | Maximum Voltage | V | 380.0 | 380.0 | 380.0 | 380.0 | 380.0 | 380.0 | 380.0 |
| E1-06 | Base Frequency | Hz | 87.5 | 87.5 | 87.5 | 87.5 | 87.5 | 87.5 | 87.5 |
| E1-09 | Minimum Output Frequency | Hz | 4.4 | 4.4 | 4.4 | 4.4 | 4.4 | 4.4 | 4.4 |
| C5-17 | Motor Inertia | kgm ² | 0.55 | 0.82 | 0.96 | 1.60 | 1.95 | 2.82 | 3.70 |
| L3-24 | Motor Acceleration Time for Inertia Calculations | s | 0.205 | 0.250 | 0.244 | 0.336 | 0.327 | 0.379 | 0.414 |
| n5-02 | Motor Acceleration Time | s | 0.205 | 0.250 | 0.244 | 0.336 | 0.327 | 0.379 | 0.414 |
| n8-49 | d-Axis Current for High Efficiency Control (OLV/PM) | % | -8.6 | -14.8 | -17.5 | -12.5 | -14.7 | -5.1 | -16.3 |

Table B.20 200 V, 1450 r/min Type YASKAWA SST4 Series IPM Motor

| No. | Name | Unit | Default Settings | | | | | | | |
|-------|---|------------------|------------------|--------|--------|--------|--------|-------|-------|-------|
| E5-01 | Motor Code Selection | – | 2302 | 2303 | 2305 | 2306 | 2308 | 230A | 230B | 230D |
| | Voltage Class | V | 200 | 200 | 200 | 200 | 200 | 200 | 200 | 200 |
| | Rated Power | kW | 0.4 | 0.75 | 1.5 | 2.2 | 3.7 | 5.5 | 7.5 | 11 |
| | Rated Speed | r/min | 1450 | 1450 | 1450 | 1450 | 1450 | 1450 | 1450 | 1450 |
| E5-02 | Motor Rated Power | kW | 0.4 | 0.75 | 1.5 | 2.2 | 3.7 | 5.5 | 7.5 | 11.0 |
| E5-03 | Motor Rated Current | A | 1.77 | 3.33 | 5.94 | 9.48 | 14.17 | 20.42 | 27.92 | 39.6 |
| E5-04 | Number of Motor Poles | – | 6 | 6 | 6 | 6 | 6 | 6 | 6 | 6 |
| E5-05 | Motor Stator Resistance (r1) | Ω | 3.154 | 1.835 | 0.681 | 0.308 | 0.405 | 0.278 | 0.180 | 0.098 |
| E5-06 | Motor d-Axis Inductance (Ld) | mH | 28.46 | 19.46 | 10.00 | 6.88 | 8.15 | 5.77 | 6.32 | 3.34 |
| E5-07 | Motor q-Axis Inductance (Lq) | mH | 39.29 | 25.89 | 15.20 | 9.25 | 10.76 | 8.60 | 8.80 | 4.61 |
| E5-09 | Motor Induction Voltage Constant 1 (Ke) | mVs/rad | 268.8 | 256.9 | 271.9 | 260.2 | 286.8 | 314.9 | 300.8 | 292.3 |
| E5-24 | Motor Induction Voltage Constant 2 (Ke) | mV/(r/min) | 0.0 | 0.0 | 0.0 | 0.0 | 0.0 | 0.0 | 0.0 | 0.0 |
| E1-04 | Maximum Output Frequency | Hz | 72.5 | 72.5 | 72.5 | 72.5 | 72.5 | 72.5 | 72.5 | 72.5 |
| E1-05 | Maximum Voltage | V | 190.0 | 190.0 | 190.0 | 190.0 | 190.0 | 190.0 | 190.0 | 190.0 |
| E1-06 | Base Frequency | Hz | 72.5 | 72.5 | 72.5 | 72.5 | 72.5 | 72.5 | 72.5 | 72.5 |
| E1-09 | Minimum Output Frequency | Hz | 3.6 | 3.6 | 3.6 | 3.6 | 3.6 | 3.6 | 3.6 | 3.6 |
| C5-17 | Motor Inertia | kgm ² | 0.0016 | 0.0022 | 0.0081 | 0.0133 | 0.0133 | 0.017 | 0.027 | 0.044 |
| L3-24 | Motor Acceleration Time for Inertia Calculations | s | 0.092 | 0.068 | 0.125 | 0.139 | 0.083 | 0.070 | 0.082 | 0.092 |
| n5-02 | Motor Acceleration Time | s | 0.092 | 0.068 | 0.125 | 0.139 | 0.083 | 0.070 | 0.082 | 0.092 |
| n8-49 | d-Axis Current for High Efficiency Control (OLV/PM) | % | -7.5 | -9.4 | -13.9 | -10.0 | -15.0 | -17.9 | -22.7 | -20.5 |

B.7 Parameters that Change with the Motor Code Selection

| No. | Name | Unit | Default Settings | | | | | | | |
|-------|---|------------------|------------------|-------|-------|-------|-------|-------|-------|-------|
| | | | 230E | 230F | 2310 | 2312 | 2313 | 2314 | 2315 | 2316 |
| E5-01 | Motor Code Selection | – | 230E | 230F | 2310 | 2312 | 2313 | 2314 | 2315 | 2316 |
| | Voltage Class | V | 200 | 200 | 200 | 200 | 200 | 200 | 200 | 200 |
| | Rated Power | kW | 15 | 18 | 22 | 30 | 37 | 45 | 55 | 75 |
| | Rated Speed | r/min | 1450 | 1450 | 1450 | 1450 | 1450 | 1450 | 1450 | 1450 |
| E5-02 | Motor Rated Power | kW | 15.0 | 18.50 | 22.00 | 30.00 | 37.00 | 45.00 | 55.00 | 75.00 |
| E5-03 | Motor Rated Current | A | 54.2 | 68.3 | 75.2 | 102.0 | 131.3 | 160.4 | 191.7 | 257.3 |
| E5-04 | Number of Motor Poles | – | 6 | 6 | 6 | 6 | 6 | 6 | 6 | 6 |
| E5-05 | Motor Stator Resistance (r1) | Ω | 0.073 | 0.055 | 0.048 | 0.034 | 0.023 | 0.016 | 0.012 | 0.007 |
| E5-06 | Motor d-Axis Inductance (Ld) | mH | 2.94 | 2.23 | 2.08 | 1.67 | 1.39 | 0.94 | 0.82 | 0.56 |
| E5-07 | Motor q-Axis Inductance (Lq) | mH | 3.65 | 2.85 | 2.66 | 2.04 | 1.73 | 1.22 | 1.06 | 0.76 |
| E5-09 | Motor Induction Voltage Constant 1 (Ke) | mVs/rad | 305.1 | 297.6 | 355.8 | 355.4 | 324.0 | 302.4 | 337.2 | 323.4 |
| E5-24 | Motor Induction Voltage Constant 2 (Ke) | mV/(r/min) | 0.0 | 0.0 | 0.0 | 0.0 | 0.0 | 0.0 | 0.0 | 0.0 |
| E1-04 | Maximum Output Frequency | Hz | 72.5 | 72.5 | 72.5 | 72.5 | 72.5 | 72.5 | 72.5 | 72.5 |
| E1-05 | Maximum Voltage | V | 190.0 | 190.0 | 190.0 | 190.0 | 190.0 | 190.0 | 190.0 | 190.0 |
| E1-06 | Base Frequency | Hz | 72.5 | 72.5 | 72.5 | 72.5 | 72.5 | 72.5 | 72.5 | 72.5 |
| E1-09 | Minimum Output Frequency | Hz | 3.6 | 3.6 | 3.6 | 3.6 | 3.6 | 3.6 | 3.6 | 3.6 |
| C5-17 | Motor Inertia | kgm ² | 0.054 | 0.063 | 0.113 | 0.137 | 0.252 | 0.304 | 0.41 | 0.55 |
| L3-24 | Motor Acceleration Time for Inertia Calculations | s | 0.083 | 0.079 | 0.118 | 0.105 | 0.157 | 0.156 | 0.172 | 0.169 |
| n5-02 | Motor Acceleration Time | s | 0.083 | 0.079 | 0.118 | 0.105 | 0.157 | 0.156 | 0.172 | 0.169 |
| n8-49 | d-Axis Current for High Efficiency Control (OLV/PM) | % | -14.6 | -16.4 | -11.8 | -10.5 | -14.5 | -17.4 | -13.9 | -17.5 |

Table B.21 400 V, 1450 r/min Type YASKAWA SST4 Series IPM Motor

| No. | Name | Unit | Default Settings | | | | | | | | | | |
|-------|---|------------------|------------------|--------|--------|--------|--------|-------|-------|-------|-------|-------|-------|
| | | | 2332 | 2333 | 2335 | 2336 | 2338 | 233A | 233B | 233D | 233E | 233F | 2340 |
| E5-01 | Motor Code Selection | – | 2332 | 2333 | 2335 | 2336 | 2338 | 233A | 233B | 233D | 233E | 233F | 2340 |
| | Voltage Class | V | 400 | 400 | 400 | 400 | 400 | 400 | 400 | 400 | 400 | 400 | 400 |
| | Rated Power | kW | 0.4 | 0.75 | 1.5 | 2.2 | 3.7 | 5.5 | 7.5 | 11 | 15 | 18 | 22 |
| | Rated Speed | r/min | 1450 | 1450 | 1450 | 1450 | 1450 | 1450 | 1450 | 1450 | 1450 | 1450 | 1450 |
| E5-02 | Motor Rated Power | kW | 0.4 | 0.75 | 1.5 | 2.2 | 3.7 | 5.5 | 7.5 | 11.0 | 15 | 18.50 | 22.00 |
| E5-03 | Motor Rated Current | A | 0.91 | 1.67 | 3.02 | 4.74 | 7.08 | 10.21 | 13.96 | 20.5 | 27.1 | 34.2 | 37.6 |
| E5-04 | Number of Motor Poles | – | 6 | 6 | 6 | 6 | 6 | 6 | 6 | 6 | 6 | 6 | 6 |
| E5-05 | Motor Stator Resistance (r1) | Ω | 12.616 | 7.340 | 2.724 | 1.232 | 1.509 | 1.112 | 0.720 | 0.393 | 0.291 | 0.220 | 0.192 |
| E5-06 | Motor d-Axis Inductance (Ld) | mH | 113.84 | 77.84 | 40.00 | 27.52 | 31.73 | 23.09 | 25.28 | 13.36 | 11.77 | 8.94 | 8.32 |
| E5-07 | Motor q-Axis Inductance (Lq) | mH | 157.16 | 103.56 | 60.80 | 37.00 | 40.88 | 34.39 | 35.20 | 18.44 | 14.60 | 11.40 | 10.64 |
| E5-09 | Motor Induction Voltage Constant 1 (Ke) | mVs/rad | 490.8 | 513.8 | 543.7 | 520.3 | 580.8 | 602.7 | 601.5 | 584.6 | 610.3 | 595.2 | 711.6 |
| E5-24 | Motor Induction Voltage Constant 2 (Ke) | mV/(r/min) | 0.0 | 0.0 | 0.0 | 0.0 | 0.0 | 0.0 | 0.0 | 0.0 | 0.0 | 0.0 | 0.0 |
| E1-04 | Maximum Output Frequency | Hz | 72.5 | 72.5 | 72.5 | 72.5 | 72.5 | 72.5 | 72.5 | 72.5 | 72.5 | 72.5 | 72.5 |
| E1-05 | Maximum Voltage | V | 380.0 | 380.0 | 380.0 | 380.0 | 380.0 | 380.0 | 380.0 | 380.0 | 380.0 | 380.0 | 380.0 |
| E1-06 | Base Frequency | Hz | 72.5 | 72.5 | 72.5 | 72.5 | 72.5 | 72.5 | 72.5 | 72.5 | 72.5 | 72.5 | 72.5 |
| E1-09 | Minimum Output Frequency | Hz | 3.6 | 3.6 | 3.6 | 3.6 | 3.6 | 3.6 | 3.6 | 3.6 | 3.6 | 3.6 | 3.6 |
| C5-17 | Motor Inertia | kgm ² | 0.0016 | 0.0022 | 0.0081 | 0.0133 | 0.0133 | 0.017 | 0.027 | 0.044 | 0.054 | 0.063 | 0.113 |
| L3-24 | Motor Acceleration Time for Inertia Calculations | s | 0.092 | 0.068 | 0.125 | 0.139 | 0.083 | 0.070 | 0.082 | 0.092 | 0.083 | 0.079 | 0.118 |
| n5-02 | Motor Acceleration Time | s | 0.092 | 0.068 | 0.125 | 0.139 | 0.083 | 0.070 | 0.082 | 0.092 | 0.083 | 0.079 | 0.118 |
| n8-49 | d-Axis Current for High Efficiency Control (OLV/PM) | % | -9.5 | -9.4 | -13.7 | -10.0 | -12.9 | -19.9 | -22.8 | -19.8 | -14.5 | -16.1 | -11.8 |

B.7 Parameters that Change with the Motor Code Selection

| No. | Name | Unit | Default Settings | | | | | | | | | | |
|-------|---|------------------|------------------|-------|-------|-------|-------|-------|--------|--------|--------|--------|--------|
| | | | 2342 | 2343 | 2344 | 2345 | 2346 | 2347 | 2348 | 2349 | 234A | 234C | 234D |
| E5-01 | Motor Code Selection | – | 2342 | 2343 | 2344 | 2345 | 2346 | 2347 | 2348 | 2349 | 234A | 234C | 234D |
| | Voltage Class | V | 400 | 400 | 400 | 400 | 400 | 400 | 400 | 400 | 400 | 400 | 400 |
| | Rated Power | kW | 30 | 37 | 45 | 55 | 75 | 90 | 110 | 132 | 160 | 200 | 250 |
| | Rated Speed | r/min | 1450 | 1450 | 1450 | 1450 | 1450 | 1450 | 1450 | 1450 | 1450 | 1450 | 1450 |
| E5-02 | Motor Rated Power | kW | 30.00 | 37.00 | 45.00 | 55.00 | 75.00 | 90.00 | 110.00 | 132.00 | 160.00 | 200.00 | 250.00 |
| E5-03 | Motor Rated Current | A | 50.9 | 65.4 | 80.2 | 96.1 | 129.2 | 153.1 | 191.7 | 226.0 | 268.8 | 331.3 | 422.9 |
| E5-04 | Number of Motor Poles | – | 6 | 6 | 6 | 6 | 6 | 6 | 6 | 6 | 6 | 6 | 6 |
| E5-05 | Motor Stator Resistance (r1) | Ω | 0.136 | 0.091 | 0.064 | 0.048 | 0.028 | 0.024 | 0.015 | 0.011 | 0.007 | 0.006 | 0.003 |
| E5-06 | Motor d-Axis Inductance (Ld) | mH | 6.68 | 5.30 | 3.76 | 3.09 | 2.24 | 2.20 | 1.34 | 1.23 | 0.92 | 0.84 | 0.61 |
| E5-07 | Motor q-Axis Inductance (Lq) | mH | 8.16 | 6.80 | 4.88 | 4.75 | 3.03 | 3.23 | 2.16 | 1.67 | 1.30 | 1.25 | 0.89 |
| E5-09 | Motor Induction Voltage Constant 1 (Ke) | mVs/rad | 710.8 | 652.7 | 604.8 | 669.1 | 646.8 | 708.0 | 637.8 | 677.0 | 661.7 | 687.1 | 655.9 |
| E5-24 | Motor Induction Voltage Constant 2 (Ke) | mV/(r/min) | 0.0 | 0.0 | 0.0 | 0.0 | 0.0 | 0.0 | 0.0 | 0.0 | 0.0 | 0 | 0.0 |
| E1-04 | Maximum Output Frequency | Hz | 72.5 | 72.5 | 72.5 | 72.5 | 72.5 | 72.5 | 72.5 | 72.5 | 72.5 | 72.5 | 72.5 |
| E1-05 | Maximum Voltage | V | 380.0 | 380.0 | 380.0 | 380.0 | 380.0 | 380.0 | 380.0 | 380.0 | 380.0 | 380.0 | 380.0 |
| E1-06 | Base Frequency | Hz | 72.5 | 72.5 | 72.5 | 72.5 | 72.5 | 72.5 | 72.5 | 72.5 | 72.5 | 72.5 | 72.5 |
| E1-09 | Minimum Output Frequency | Hz | 3.6 | 3.6 | 3.6 | 3.6 | 3.6 | 3.6 | 3.6 | 3.6 | 3.6 | 3.6 | 3.6 |
| C5-17 | Motor Inertia | kgm ² | 0.137 | 0.252 | 0.304 | 0.41 | 0.55 | 0.82 | 0.96 | 1.60 | 1.95 | 2.82 | 3.70 |
| L3-24 | Motor Acceleration Time for Inertia Calculations | s | 0.105 | 0.157 | 0.156 | 0.172 | 0.169 | 0.210 | 0.201 | 0.279 | 0.281 | 0.325 | 0.341 |
| n5-02 | Motor Acceleration Time | s | 0.105 | 0.157 | 0.156 | 0.172 | 0.169 | 0.210 | 0.201 | 0.279 | 0.281 | 0.325 | 0.341 |
| n8-49 | d-Axis Current for High Efficiency Control (OLV/PM) | % | -10.5 | -15.6 | -17.4 | -21.7 | -17.3 | -19.6 | -24.1 | -15.1 | -17.0 | -19.8 | -19.3 |

Table B.22 200 V, 1150 r/min Type YASKAWA SST4 Series IPM Motor

| No. | Name | Unit | Default Settings | | | | | | | |
|-------|---|------------------|------------------|--------|--------|--------|--------|-------|-------|-------|
| | | | 2402 | 2403 | 2405 | 2406 | 2408 | 240A | 240B | 240D |
| E5-01 | Motor Code Selection | – | 2402 | 2403 | 2405 | 2406 | 2408 | 240A | 240B | 240D |
| | Voltage Class | V | 200 | 200 | 200 | 200 | 200 | 200 | 200 | 200 |
| | Rated Power | kW | 0.4 | 0.75 | 1.5 | 2.2 | 3.7 | 5.5 | 7.5 | 11 |
| | Rated Speed | r/min | 1150 | 1150 | 1150 | 1150 | 1150 | 1150 | 1150 | 1150 |
| E5-02 | Motor Rated Power | kW | 0.4 | 0.75 | 1.5 | 2.2 | 3.7 | 5.5 | 7.5 | 11.0 |
| E5-03 | Motor Rated Current | A | 1.77 | 3.44 | 5.94 | 9.17 | 14.79 | 20.21 | 27.40 | 39.0 |
| E5-04 | Number of Motor Poles | – | 6 | 6 | 6 | 6 | 6 | 6 | 6 | 6 |
| E5-05 | Motor Stator Resistance (r1) | Ω | 2.680 | 1.520 | 1.071 | 0.542 | 0.362 | 0.295 | 0.162 | 0.115 |
| E5-06 | Motor d-Axis Inductance (Ld) | mH | 30.55 | 15.29 | 17.48 | 11.98 | 8.60 | 9.54 | 5.31 | 4.44 |
| E5-07 | Motor q-Axis Inductance (Lq) | mH | 42.71 | 24.28 | 22.51 | 15.51 | 10.69 | 13.84 | 8.26 | 5.68 |
| E5-09 | Motor Induction Voltage Constant 1 (Ke) | mVs/rad | 313.1 | 313.1 | 345.3 | 342.9 | 363.8 | 384.3 | 379.9 | 370.2 |
| E5-24 | Motor Induction Voltage Constant 2 (Ke) | mV/(r/min) | 0.0 | 0.0 | 0.0 | 0.0 | 0.0 | 0.0 | 0.0 | 0.0 |
| E1-04 | Maximum Output Frequency | Hz | 57.5 | 57.5 | 57.5 | 57.5 | 57.5 | 57.5 | 57.5 | 57.5 |
| E1-05 | Maximum Voltage | V | 190.0 | 190.0 | 190.0 | 190.0 | 190.0 | 190.0 | 190.0 | 190.0 |
| E1-06 | Base Frequency | Hz | 57.5 | 57.5 | 57.5 | 57.5 | 57.5 | 57.5 | 57.5 | 57.5 |
| E1-09 | Minimum Output Frequency | Hz | 2.9 | 2.9 | 2.9 | 2.9 | 2.9 | 2.9 | 2.9 | 2.9 |
| C5-17 | Motor Inertia | kgm ² | 0.0022 | 0.0042 | 0.0081 | 0.0133 | 0.0168 | 0.027 | 0.044 | 0.054 |
| L3-24 | Motor Acceleration Time for Inertia Calculations | s | 0.080 | 0.081 | 0.078 | 0.088 | 0.066 | 0.070 | 0.085 | 0.071 |
| n5-02 | Motor Acceleration Time | s | 0.080 | 0.081 | 0.078 | 0.088 | 0.066 | 0.070 | 0.085 | 0.071 |
| n8-49 | d-Axis Current for High Efficiency Control (OLV/PM) | % | -8.4 | -11.0 | -10.7 | -10.7 | -9.4 | -22.5 | -22.2 | -16.7 |

B.7 Parameters that Change with the Motor Code Selection

| No. | Name | Unit | Default Settings | | | | | | | |
|-------|---|------------------|------------------|-------|-------|-------|-------|-------|-------|-------|
| | | | 240E | 240F | 2410 | 2412 | 2413 | 2414 | 2415 | 2416 |
| E5-01 | Motor Code Selection | – | 240E | 240F | 2410 | 2412 | 2413 | 2414 | 2415 | 2416 |
| | Voltage Class | V | 200 | 200 | 200 | 200 | 200 | 200 | 200 | 200 |
| | Rated Power | kW | 15 | 18 | 22 | 30 | 37 | 45 | 55 | 75 |
| | Rated Speed | r/min | 1150 | 1150 | 1150 | 1150 | 1150 | 1150 | 1150 | 1150 |
| E5-02 | Motor Rated Power | kW | 15 | 18.50 | 22.00 | 30.00 | 37.00 | 45.00 | 55.00 | 75.00 |
| E5-03 | Motor Rated Current | A | 55.9 | 65.4 | 77.0 | 103.5 | 126.0 | 153.1 | 188.5 | 260.4 |
| E5-04 | Number of Motor Poles | – | 6 | 6 | 6 | 6 | 6 | 6 | 6 | 6 |
| E5-05 | Motor Stator Resistance (r1) | Ω | 0.083 | 0.065 | 0.052 | 0.035 | 0.026 | 0.019 | 0.013 | 0.009 |
| E5-06 | Motor d-Axis Inductance (Ld) | mH | 3.50 | 2.92 | 2.55 | 2.03 | 1.59 | 1.24 | 0.98 | 0.70 |
| E5-07 | Motor q-Axis Inductance (Lq) | mH | 4.23 | 3.79 | 3.22 | 2.46 | 1.92 | 1.64 | 1.37 | 0.97 |
| E5-09 | Motor Induction Voltage Constant 1 (Ke) | mVs/rad | 364.5 | 404.5 | 445.1 | 444.4 | 447.3 | 470.8 | 422.4 | 418.3 |
| E5-24 | Motor Induction Voltage Constant 2 (Ke) | mV/(r/min) | 0.0 | 0.0 | 0.0 | 0.0 | 0.0 | 0.0 | 0.0 | 0.0 |
| E1-04 | Maximum Output Frequency | Hz | 57.5 | 57.5 | 57.5 | 57.5 | 57.5 | 57.5 | 57.5 | 57.5 |
| E1-05 | Maximum Voltage | V | 190.0 | 190.0 | 190.0 | 190.0 | 190.0 | 190.0 | 190.0 | 190.0 |
| E1-06 | Base Frequency | Hz | 57.5 | 57.5 | 57.5 | 57.5 | 57.5 | 57.5 | 57.5 | 57.5 |
| E1-09 | Minimum Output Frequency | Hz | 2.9 | 2.9 | 2.9 | 2.9 | 2.9 | 2.9 | 2.9 | 2.9 |
| C5-17 | Motor Inertia | kgm ² | 0.063 | 0.113 | 0.137 | 0.252 | 0.304 | 0.410 | 0.55 | 0.82 |
| L3-24 | Motor Acceleration Time for Inertia Calculations | s | 0.061 | 0.089 | 0.090 | 0.122 | 0.119 | 0.132 | 0.145 | 0.159 |
| n5-02 | Motor Acceleration Time | s | 0.061 | 0.089 | 0.090 | 0.122 | 0.119 | 0.132 | 0.145 | 0.159 |
| n8-49 | d-Axis Current for High Efficiency Control (OLV/PM) | % | -13.7 | -15.2 | -10.9 | -9.8 | -9.3 | -11.5 | -17.7 | -17.1 |

Table B.23 400 V, 1150 r/min Type YASKAWA SST4 Series IPM Motor

| No. | Name | Unit | Default Settings | | | | | | | | | | |
|-------|---|------------------|------------------|--------|--------|--------|--------|-------|-------|-------|-------|-------|-------|
| | | | 2432 | 2433 | 2435 | 2436 | 2438 | 243A | 243B | 243D | 243E | 243F | 2440 |
| E5-01 | Motor Code Selection | – | 2432 | 2433 | 2435 | 2436 | 2438 | 243A | 243B | 243D | 243E | 243F | 2440 |
| | Voltage Class | V | 400 | 400 | 400 | 400 | 400 | 400 | 400 | 400 | 400 | 400 | 400 |
| | Rated Power | kW | 0.4 | 0.75 | 1.5 | 2.2 | 3.7 | 5.5 | 7.5 | 11 | 15 | 18 | 22 |
| | Rated Speed | r/min | 1150 | 1150 | 1150 | 1150 | 1150 | 1150 | 1150 | 1150 | 1150 | 1150 | 1150 |
| E5-02 | Motor Rated Power | kW | 0.4 | 0.75 | 1.5 | 2.2 | 3.7 | 5.5 | 7.5 | 11.0 | 15 | 18.50 | 22.00 |
| E5-03 | Motor Rated Current | A | 0.89 | 1.72 | 3.02 | 4.58 | 7.40 | 10.21 | 13.75 | 19.5 | 27.7 | 32.7 | 39.2 |
| E5-04 | Number of Motor Poles | – | 6 | 6 | 6 | 6 | 6 | 6 | 6 | 6 | 6 | 6 | 6 |
| E5-05 | Motor Stator Resistance (r1) | Ω | 10.720 | 6.080 | 4.336 | 2.143 | 1.428 | 1.199 | 0.648 | 0.460 | 0.325 | 0.260 | 0.209 |
| E5-06 | Motor d-Axis Inductance (Ld) | mH | 122.20 | 61.16 | 70.24 | 46.20 | 33.87 | 41.67 | 21.24 | 17.76 | 12.83 | 11.68 | 10.09 |
| E5-07 | Motor q-Axis Inductance (Lq) | mH | 170.80 | 97.12 | 90.04 | 60.28 | 42.98 | 69.15 | 33.04 | 22.72 | 17.19 | 15.16 | 16.25 |
| E5-09 | Motor Induction Voltage Constant 1 (Ke) | mVs/rad | 626.1 | 626.1 | 703.1 | 727.6 | 699.0 | 861.5 | 759.7 | 740.4 | 716.6 | 809.1 | 786.2 |
| E5-24 | Motor Induction Voltage Constant 2 (Ke) | mV/(r/min) | 0.0 | 0.0 | 0.0 | 0.0 | 0.0 | 0.0 | 0.0 | 0.0 | 0.0 | 0.0 | 0.0 |
| E1-04 | Maximum Output Frequency | Hz | 57.5 | 57.5 | 57.5 | 57.5 | 57.5 | 57.5 | 57.5 | 57.5 | 57.5 | 57.5 | 57.5 |
| E1-05 | Maximum Voltage | V | 380.0 | 380.0 | 380.0 | 380.0 | 380.0 | 380.0 | 380.0 | 380.0 | 380.0 | 380.0 | 380.0 |
| E1-06 | Base Frequency | Hz | 57.5 | 57.5 | 57.5 | 57.5 | 57.5 | 57.5 | 57.5 | 57.5 | 57.5 | 57.5 | 57.5 |
| E1-09 | Minimum Output Frequency | Hz | 2.9 | 2.9 | 2.9 | 2.9 | 2.9 | 2.9 | 2.9 | 2.9 | 2.9 | 2.9 | 2.9 |
| C5-17 | Motor Inertia | kgm ² | 0.0022 | 0.0042 | 0.0081 | 0.0133 | 0.0168 | 0.027 | 0.044 | 0.054 | 0.063 | 0.113 | 0.137 |
| L3-24 | Motor Acceleration Time for Inertia Calculations | s | 0.080 | 0.081 | 0.078 | 0.088 | 0.066 | 0.070 | 0.085 | 0.071 | 0.061 | 0.089 | 0.090 |
| n5-02 | Motor Acceleration Time | s | 0.080 | 0.081 | 0.078 | 0.088 | 0.066 | 0.070 | 0.085 | 0.071 | 0.061 | 0.089 | 0.090 |
| n8-49 | d-Axis Current for High Efficiency Control (OLV/PM) | % | -8.4 | -11.0 | -9.9 | -9.0 | -11.4 | -23.2 | -22.1 | -16.7 | -20.2 | -15.2 | -27.7 |

B.7 Parameters that Change with the Motor Code Selection

| No. | Name | Unit | Default Settings | | | | | | | | | |
|-------|---|------------------|------------------|-------|-------|-------|-------|-------|--------|--------|--------|--------|
| E5-01 | Motor Code Selection | – | 2442 | 2443 | 2444 | 2445 | 2446 | 2447 | 2448 | 2449 | 244A | 244C |
| | Voltage Class | V | 400 | 400 | 400 | 400 | 400 | 400 | 400 | 400 | 400 | 400 |
| | Rated Power | kW | 30 | 37 | 45 | 55 | 75 | 90k | 110 | 132 | 160 | 200 |
| | Rated Speed | r/min | 1150 | 1150 | 1150 | 1150 | 1150 | 1150 | 1150 | 1150 | 1150 | 1150 |
| E5-02 | Motor Rated Power | kW | 30.00 | 37.00 | 45.00 | 55.00 | 75.00 | 90.00 | 110.00 | 132.00 | 160.00 | 200.00 |
| E5-03 | Motor Rated Current | A | 51.8 | 63.0 | 76.6 | 93.1 | 128.1 | 153.1 | 186.5 | 221.9 | 269.8 | 336.5 |
| E5-04 | Number of Motor Poles | – | 6 | 6 | 6 | 6 | 6 | 6 | 6 | 6 | 6 | 6 |
| E5-05 | Motor Stator Resistance (r1) | Ω | 0.140 | 0.106 | 0.076 | 0.051 | 0.032 | 0.026 | 0.015 | 0.012 | 0.009 | 0.007 |
| E5-06 | Motor d-Axis Inductance (Ld) | mH | 8.12 | 6.43 | 4.96 | 3.99 | 2.97 | 2.44 | 1.87 | 1.49 | 1.41 | 1.22 |
| E5-07 | Motor q-Axis Inductance (Lq) | mH | 9.84 | 7.71 | 6.56 | 5.39 | 3.90 | 3.23 | 2.46 | 2.08 | 1.88 | 1.51 |
| E5-09 | Motor Induction Voltage Constant 1 (Ke) | mVs/rad | 888.8 | 857.7 | 941.6 | 853.8 | 829.6 | 835.6 | 833.4 | 848.6 | 889.1 | 915.0 |
| E5-24 | Motor Induction Voltage Constant 2 (Ke) | mV/(r/min) | 0.0 | 0.0 | 0.0 | 0.0 | 0.0 | 0.0 | 0.0 | 0.0 | 0.0 | 0.0 |
| E1-04 | Maximum Output Frequency | Hz | 57.5 | 57.5 | 57.5 | 57.5 | 57.5 | 57.5 | 57.5 | 57.5 | 57.5 | 57.5 |
| E1-05 | Maximum Voltage | V | 380.0 | 380.0 | 380.0 | 380.0 | 380.0 | 380.0 | 380.0 | 380.0 | 380.0 | 380.0 |
| E1-06 | Base Frequency | Hz | 57.5 | 57.5 | 57.5 | 57.5 | 57.5 | 57.5 | 57.5 | 57.5 | 57.5 | 57.5 |
| E1-09 | Minimum Output Frequency | Hz | 2.9 | 2.9 | 2.9 | 2.9 | 2.9 | 2.9 | 2.9 | 2.9 | 2.9 | 2.9 |
| C5-17 | Motor Inertia | kgm ² | 0.252 | 0.304 | 0.410 | 0.55 | 0.82 | 0.96 | 1.60 | 1.95 | 2.82 | 3.70 |
| L3-24 | Motor Acceleration Time for Inertia Calculations | s | 0.122 | 0.119 | 0.132 | 0.145 | 0.159 | 0.155 | 0.211 | 0.214 | 0.256 | 0.268 |
| n5-02 | Motor Acceleration Time | s | 0.122 | 0.119 | 0.132 | 0.145 | 0.159 | 0.155 | 0.211 | 0.214 | 0.256 | 0.268 |
| n8-49 | d-Axis Current for High Efficiency Control (OLV/PM) | % | -9.8 | -10.2 | -11.5 | -16.0 | -15.7 | -15.7 | -14.7 | -16.5 | -14.1 | -10.4 |



MEMOBUS/Modbus Communications

| | |
|--|------------|
| C.1 MEMOBUS/MODBUS CONFIGURATION | 478 |
| C.2 COMMUNICATION SPECIFICATIONS..... | 479 |
| C.3 CONNECTING TO A NETWORK | 480 |
| C.4 MEMOBUS/MODBUS SETUP PARAMETERS | 482 |
| C.5 DRIVE OPERATIONS BY MEMOBUS/MODBUS..... | 485 |
| C.6 COMMUNICATIONS TIMING | 486 |
| C.7 MESSAGE FORMAT..... | 487 |
| C.8 MESSAGE EXAMPLES | 489 |
| C.9 MEMOBUS/MODBUS DATA TABLE | 491 |
| C.10 ENTER COMMAND..... | 503 |
| C.11 COMMUNICATION ERRORS | 504 |
| C.12 SELF-DIAGNOSTICS | 505 |

C.1 MEMOBUS/Modbus Configuration

Drives can be controlled from a PLC or other master device via serial communications using the MEMOBUS/Modbus protocol.

MEMOBUS/Modbus communication can be configured using one master (PLC) and a maximum of 255 slaves. The drive has slave functionality only, meaning that serial communication is normally initiated from the master and responded to by the slaves.

The master performs serial communications with only one slave at a time. The address or node for each slave must be set beforehand so that the master can communicate with the slave at that address. A slave that receives a command from the master will perform the specified function and then send a response back to the master.

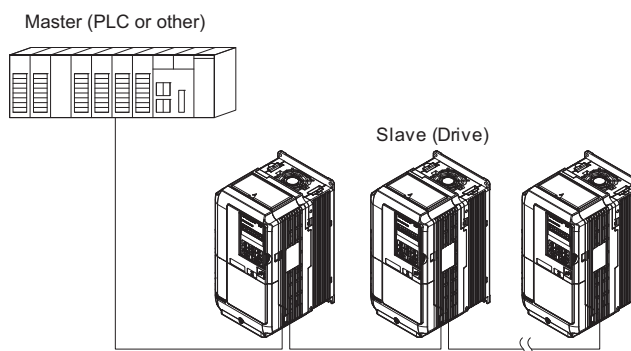


Figure C.1 Connecting Multiple Drives to a PLC

C.2 Communication Specifications

MEMOBUS/Modbus specifications appear in the following table:

| Item | Specifications | |
|--------------------------|---|--|
| Interface | RS-422, RS-485 | |
| Communications Cycle | Asynchronous (Start-stop synchronization) | |
| Communication Parameters | Communication Speeds Available | 1.2; 2.4; 4.8; 9.6; 19.2; 38.4; 57.6; 76.8; 115.2 kbps |
| | Data length | 8 bit (fixed) |
| | Parity | Select even, odd, or none |
| | Stop bit | 1 bit (fixed) |
| Protocol | MEMOBUS/Modbus (using RTU mode only) | |
| Max Number of Slaves | 255 drives | |

C.3 Connecting to a Network

This section explains how to connect the drive to a MEMOBUS/Modbus network and the network termination required.

◆ Network Cable Connection

Follow the instructions below to connect the drive to a MEMOBUS/Modbus network.

1. With the power shut off, connect the communications cable to the drive and the master. Use terminals TB5 for MEMOBUS/Modbus.

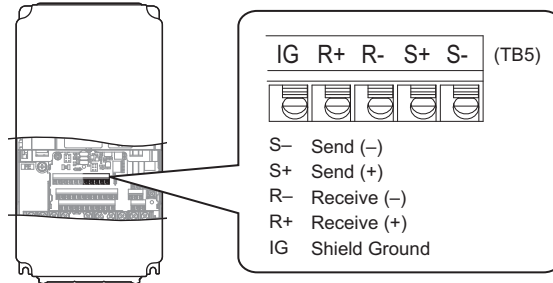


Figure C.2 Serial Communications Cable Connection Terminals (TB5)

Note: Separate the communications cables from the main circuit cables and other wiring and power cables. Use shielded cables for the communications cables, and properly shielded clamps to prevent problems with noise. When using RS-485 communications, connect S+ to R+, and S- to R- as shown in the diagram below.

2. Check or set the termination resistor selection at all slaves. Use the description in [Network Termination on page 481](#) for slaves that are A1000 drives.
3. Switch the power on.
4. Set the parameters needed for serial communications (H5-01 through H5-12) using the digital operator.
5. Shut the power off and wait until the display on the digital operator goes out completely.
6. Turn the power back on.
7. The drive is now ready to begin communicating with the master.

◆ Wiring Diagram for Multiple Connection

[Figure C.3](#) and [Figure C.4](#) explain the wiring diagrams for multiple connections using MEMOBUS/Modbus communication.

■ RS-485 Interface

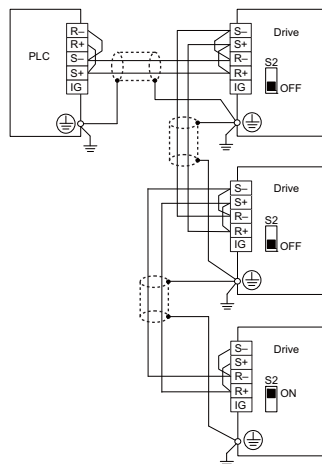


Figure C.3 RS-485 Interface

- Note:**
1. Turn on the DIP switch on the drive that is located at the end of the network. All other slave devices must have this DIP switch set to the OFF position.
 2. Set H5-07 to “1” when using the RS-485 interface.

■ RS-422 Interface

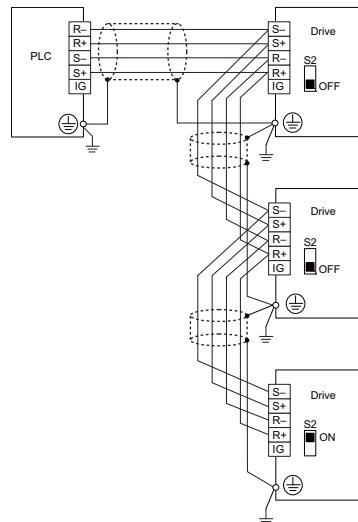


Figure C.4 RS-422 Interface

- Note:**
1. Turn on the DIP switch on the drive that is located at the end of the network. All other slave devices must have this DIP switch set to the OFF position.
 2. Set H5-07 to “0” when using the RS-485 interface.

◆ Network Termination

The two ends of the MEMOBUS/Modbus network line have to be terminated. The drive has a built in termination resistor that can be enabled or disabled using DIP switch S2. If a drive is located at the end of a network line, enable the termination resistor by setting DIP switch S2 to the ON position. Disable the termination resistor on all slaves that are not located at the network line end.

Refer to [MEMOBUS/Modbus Termination on page 80](#) for details on setting S2.

C.4 MEMOBUS/Modbus Setup Parameters

◆ MEMOBUS/Modbus Serial Communication

This section describes parameters necessary to set up MEMOBUS/Modbus communications.

■ H5-01: Drive Slave Address

Sets the drive slave address used for MEMOBUS/Modbus communications.

Note: After changing this parameter, the power must be cycled to enable the new setting.

| No. | Name | Setting Range | Default |
|-------|---------------------|---------------|---------|
| H5-01 | Drive Slave Address | 0 to FFH < > | 1FH |

<|> If the address is set to 0, no response will be provided during communications.

For serial communications to work, each individual slave drive must be assigned a unique slave address. Setting H5-01 to any value besides 0 assigns the drive its address in the network. Slave address don't need to be assigned in sequential order, but each address needs to be unique so that no two drives have the same address.

■ H5-02: Communication Speed Selection

Sets the MEMOBUS/Modbus communications speed.

Note: After changing this parameter, the power must be cycled to enable the new setting.

| No. | Name | Setting Range | Default |
|-------|-------------------------------|---------------|---------|
| H5-02 | Communication Speed Selection | 0 to 5 | 3 |

| H5-02 | Communication Speed | H5-02 | Communication Speed |
|-------|---------------------|-------|---------------------|
| 0 | 1200 bps | 5 | 38400 bps |
| 1 | 2400 bps | 6 | 57600 bps |
| 2 | 4800 bps | 7 | 76800 bps |
| 3 | 9600 bps | 8 | 115200 bps |
| 4 | 19200 bps | | |

■ H5-03: Communication Parity Selection

Sets the parity used for MEMOBUS/Modbus communications.

Note: After changing this parameter, the power must be cycled to enable the new setting.

| No. | Name | Setting Range | Default |
|-------|--------------------------------|---------------|---------|
| H5-03 | Communication Parity Selection | 0 to 2 | 0 |

Setting 0: No parity

Setting 1: Even parity

Setting 2: Odd parity

■ H5-04: Stopping Method after Communication Error

Selects the stopping method after a communications error (CE) has occurred.

| No. | Name | Setting Range | Default |
|-------|---|---------------|---------|
| H5-04 | Stopping Method after Communication Error | 0 to 3 | 3 |

Setting 0: Ramp to stop (uses the deceleration time currently enabled)

Setting 1: Fast Stop (uses the deceleration time in C1-09)

Setting 2: Coast to stop

Setting 3: Alarm only (continue operation)

■ H5-05: Communication Fault Detection Selection

Enables or disabled the communication error (CE) detection for MEMOBUS/Modbus communications.

| No. | Name | Setting Range | Default |
|-------|---|---------------|---------|
| H5-05 | Communication Fault Detection Selection | 0 or 1 | 1 |

Setting 0: Disabled

No communication error detection. The drive continues operation.

Setting 1: Enabled

If the drive does not receive data from the master for longer than the time set to H5-09, then a CE fault will be triggered and the drive will operate as determined by parameter H5-04.

■ **H5-06: Drive Transmit Wait Time**

Sets the time the drive waits after receiving data from a master until responding data.

| No. | Name | Setting Range | Default |
|-------|--------------------------|---------------|---------|
| H5-06 | Drive Transmit Wait Time | 5 to 65 ms | 5 ms |

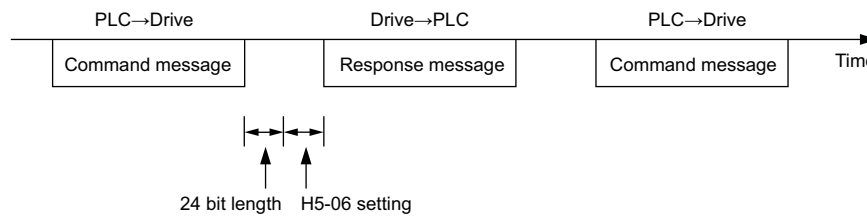


Figure C.5 Drive Transmit Wait Time Setting

■ **H5-07: RTS Control Selection**

Enables or disables RTS control.

| No. | Name | Setting Range | Default |
|-------|-----------------------|---------------|---------|
| H5-07 | RTS Control Selection | 0 or 1 | 1 |

Setting 0: Disabled. RTS is always on.

Use this setting when using RS-485 signals for communications.

Setting 1: Enabled. RTS switches while sending.

Use this setting when using RS-422 signals for communications.

■ **H5-09: CE Detection Time**

Sets the time the communications must be lost before the drive triggers a CE fault.

| No. | Name | Setting Range | Default |
|-------|-------------------|---------------|---------|
| H5-09 | CE Detection Time | 0.0 to 10.0 s | 2.0 s |

■ **H5-10: Unit Selection for MEMOBUS/Modbus Register 0025H**

Sets the unit for the output voltage monitor value in MEMOBUS/Modbus register 0025H.

| No. | Name | Setting Range | Default |
|-------|--|---------------|---------|
| H5-10 | Unit Selection for MEMOBUS/Modbus Register 0025H | 0 or 1 | 0 |

Setting 0: 0.1 V units

Setting 1: 1 V units

■ **H5-11: Communications Enter Function Selection**

Selects if an Enter command is needed to change parameter values via MEMOBUS/Modbus communications. *Refer to Enter Command on page 503.*

| No. | Name | Setting Range | Default |
|-------|---|---------------|---------|
| H5-11 | Communications Enter Function Selection | 0 or 1 | 1 |

C.4 MEMOBUS/Modbus Setup Parameters

Setting 0: Enter command necessary

Parameter changes become effective after an Enter command. An Enter command must only be sent after the last parameter change, not for each single parameter.

Setting 1: Enter command not necessary

Parameter value changes become effective immediately without the need to send an Enter command.

■ H5-12: Run Command Method Selection

Selects the type of sequence used when the Run command source is set to MEMOBUS/Modbus communications (b1-02, b1-16 = 2).

| No. | Name | Setting Range | Default |
|-------|------------------------------|---------------|---------|
| H5-12 | Run Command Method Selection | 0 or 1 | 0 |

Setting 0: FWD/Stop, REV/Stop

Setting bit 0 of MEMOBUS/Modbus register will start and stop the drive in the forward direction. Setting bit 1 will start and stop the drive in reverse.

Setting 1: Run/Stop, FWD/REV

Setting bit 0 of MEMOBUS/Modbus register will start and stop the drive. Setting bit 1 changes the direction.

C.5 Drive Operations by MEMOBUS/Modbus

The drive operations that can be performed by MEMOBUS/Modbus communication depend on drive parameter settings. This section explains the functions that can be used and related parameter settings.

◆ Observing the Drive Operation

A PLC can perform the following actions with MEMOBUS/Modbus communications at any time regardless of parameter settings (except H5-□□).

- Observe drive status and drive control terminal status from a PLC.
- Read and write parameters.
- Set and reset faults.
- Set multi-function inputs. Inputs settings from the input terminals S□ and from MEMOBUS/Modbus communications are both linked by an OR operation.

◆ Controlling the Drive

To start and stop the drive or set the frequency reference using MEMOBUS/Modbus communications, an external reference must be selected and the parameters listed in [Table C.1](#) must be adjusted accordingly.

Table C.1 Setting Parameters for Drive Control from MEMOBUS/Modbus

| Reference Source | Parameter | Name | Required Setting |
|----------------------|-----------|---------------------------------|------------------|
| External Reference 1 | b1-01 | Frequency Reference Selection 1 | 2 |
| | b1-02 | Run Command Selection 1 | 2 |
| External Reference 2 | b1-15 | Frequency Reference Selection 2 | 2 |
| | b1-16 | Run Command Selection 2 | 2 |

Refer to b1-01: Frequency Reference Selection 1 on page 136 and Refer to b1-02: Run Command Selection 1 on page 137 for details on external reference parameter selections. Refer to Setting 2: External reference 1/2 selection on page 216 for instructions on how to select external reference 1 and 2.

C.6 Communications Timing

To prevent overrun in the slave drive, the master should wait a certain time between sending messages to the same drive. In the same way, the slave drive must wait before sending response messages to prevent an overrun in the master. This section explains the message timing.

◆ Command Messages from Master to Drive

In order to prevent overrun and data loss, the master must wait between receiving a response and sending the same type of command as before to the same slave drive. The minimum wait time depends on the command as shown in the table below.

Table C.2 Minimum Wait Time for Sending Messages

| Command Type | Example | Minimum Wait Time |
|--------------|---|--|
| 1 | <ul style="list-style-type: none"> Control command (Run, Stop) Set inputs/outputs Read monitors and parameter values | 5 ms |
| 2 | <ul style="list-style-type: none"> Write parameters | H5-11 = 0: 50 ms H5-11 = 1: 200ms </> |
| 3 | <ul style="list-style-type: none"> Save changes using an Enter command | 200 ms to 2 s, depending on the number of parameters that were changed </> |

<1> If the drive receives command type 1 data during the minimum wait time, it will perform the command and then respond. However, if it receives a command type 2 or 3 during that time, either a communication error will result or the command will be ignored.

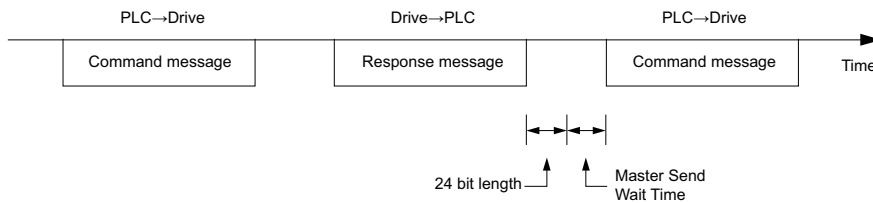


Figure C.6 Minimum Wait Time for Sending Messages

A timer should be set in the master to check how long it takes for the slave drive(s) to respond to the master. If no response is received within a certain amount of time, the master should try resending the message.

◆ Response Messages from Drive to Master

If the drive receives a command from the master, it will process the data received and wait for the time set in H5-06 until it responds. Increase H5-06 if the drive response causes overrun in the master.

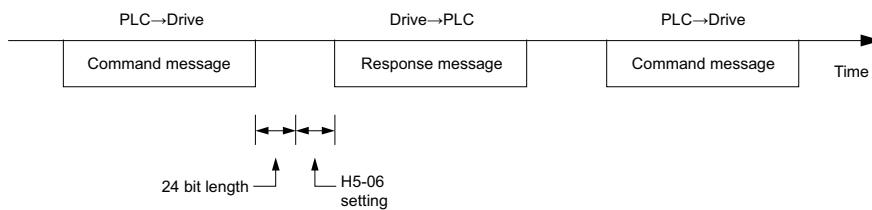


Figure C.7 Minimum Response Wait Time

C.7 Message Format

◆ Message Content

In MEMOBUS/Modbus communications, the master sends commands to the slave, and the slave responds. The message format is configured for both sending and receiving as shown below, and the length of data packets depends on the command (function) content.

| |
|---------------|
| SLAVE ADDRESS |
| FUNCTION CODE |
| DATA |
| ERROR CHECK |

◆ Slave Address

The slave address in the message defines the note the message is sent to. Use addresses between 0 and FF (hex). If a message with slave address 0 is sent (broadcast), the command from the master will be received by all slaves. The slaves do not provide a response to a broadcast type message.

◆ Function Code

The three types of function codes are shown in the table below.

| Function Code | Function Name | Data Length (bytes) | | | |
|---------------|--|---------------------|---------|------------------|---------|
| | | Command Message | | Response Message | |
| | | Minimum | Maximum | Minimum | Maximum |
| 03H | Read MEMOBUS/Modbus registers | 8 | 8 | 7 | 37 |
| 08H | Loopback test | 8 | 8 | 8 | 8 |
| 10H | Write to multiple MEMOBUS/Modbus registers | 11 | 41 | 8 | 8 |

◆ Data

Configure consecutive data by combining the MEMOBUS/Modbus register address (test code in case of a loopback test) and the data the register contains. The data length changes depending on the command details.

A drive MEMOBUS/Modbus register always has a data length of two bytes. Therefore data written into drive registers must also always have a length of two bytes. Register data read out from the drive will always consist of two bytes.

◆ Error Check

The drive uses a CRC-16 (cyclic redundancy check, checksum method) for checking data validity. Use the procedure described below when calculating the CRC-16 checksum for command data or when verifying response data.

■ Command Data

When the drive receives data, it calculates the CRC-16 checksum from the data and compares it to the CRC-16 value received within the message. Both must match before a command is processed.

An initial value of FFFFH (i.e., all 16 bits equal 1) must be used for CRC-16 calculations in the MEMOBUS/Modbus protocol.

Calculate the CRC-16 checksum using the following steps:

1. The starting value is FFFFH.
2. Perform an XOR operation of this value and the slave address.
3. Right shift the result.
4. When the overflow bit of the shift operation becomes 1, perform an XOR operation of the result from step 3 above and the fix value A001H.
5. Repeat steps 3 and 4 until eight shift operations have been performed.
6. After eight shift operations, perform an XOR operation with the result and the next data in the message (function code, register address, data). Continue with steps 3 to 5 until the last data has been processed.
7. The result of the last shift or XOR operation is the checksum.

C.7 Message Format

The example in [Table C.3](#) shows the CRC-16 calculation of the slave address 02H and the function code 03H, yielding the result 40D1H.

Note: This example does not show the calculation for a complete MEMOBUS/Modbus command. Normally data would follow in the calculation.

Table C.3 CRC-16 Checksum Calculation Example

| Description | Calculation | Overflow | Description | Calculation | Overflow |
|---|---------------------|----------|------------------------------------|---------------------|----------|
| Initial Value (FFFFH) | 1111 1111 1111 1111 | | Function Code 03H | 0000 0000 0000 0011 | |
| Address 02H | 0000 0000 0000 0010 | | XOR w result | 1000 0001 0011 1101 | |
| XOR w initial value | 1111 1111 1111 1101 | | Shift 1 | 0100 0000 1001 1110 | 1 |
| Shift 1 | 0111 1111 1111 1110 | 1 | XOR w A001H | 1010 0000 0000 0001 | |
| XOR w A001H | 1010 0000 0000 0001 | | XOR result | 1110 0000 1001 1111 | |
| XOR result | 1101 1111 1111 1111 | | Shift 2 | 0111 0000 0100 1111 | 1 |
| Shift 2 | 0110 1111 1111 1111 | 1 | XOR w A001H | 1010 0000 0000 0001 | |
| XOR w A001H | 1010 0000 0000 0001 | | XOR result | 1101 0000 0100 1110 | |
| XOR result | 1100 1111 1111 1110 | | Shift 3 | 0110 1000 0010 0111 | 0 |
| Shift 3 | 0110 0111 1111 1111 | 0 | Shift 4 | 0011 0100 0001 0011 | 1 |
| Shift 4 | 0011 0011 1111 1111 | 1 | XOR w A001H | 1010 0000 0000 0001 | |
| XOR w A001H | 1010 0000 0000 0001 | | XOR result | 1001 0100 0001 0010 | |
| XOR result | 1001 0011 1111 1110 | | Shift 5 | 0100 1010 0000 1001 | 0 |
| Shift 5 | 0100 1001 1111 1111 | 0 | Shift 6 | 0010 0101 0000 0100 | 1 |
| Shift 6 | 0010 0100 1111 1111 | 1 | XOR w A001H | 1010 0000 0000 0001 | |
| XOR w A001H | 1010 0000 0000 0001 | | XOR result | 1000 0101 0000 0101 | |
| XOR result | 1000 0100 1111 1110 | | Shift 7 | 0100 0010 1000 0010 | 1 |
| Shift 7 | 0100 0010 0111 1111 | 0 | XOR w A001H | 1010 0000 0000 0001 | |
| Shift 8 | 0010 0001 0011 1111 | 1 | XOR result | 1110 0010 1000 0011 | |
| XOR w A001H | 1010 0000 0000 0001 | | Shift 8 | 0111 0001 0100 0001 | 1 |
| XOR result | 1000 0001 0011 1110 | | XOR w A001H | 1010 0000 0000 0001 | |
| Perform operations with next data (function code) | | | XOR result | 1101 0001 0100 0000 | |
| | | | CRC-16 | 1101 0001 0100 0000 | |
| | | | | D140H | |
| | | | Continue from here with next data. | | |

■ Response Data

To be sure that the data is valid, perform a CRC-16 calculation on the response message data as described above. Compare the result to the CRC-16 checksum that was received within the response message. Both should match.

C.8 Message Examples

Below are some examples of command and response messages.

◆ Reading Drive MEMOBUS/Modbus Register Contents

Using the function code 03H (Read), a maximum of 16 MEMOBUS/Modbus registers can be read out at a time.

The following table shows message examples when reading status signals, error details, data link status, and frequency references from the slave 2 drive.

| Command Message | | | Response Message (normal) | | | Response Message (fault) | | |
|-----------------|--------|-------|---------------------------|-----------------------|-------|--------------------------|-------|-----|
| Slave Address | | 02H | Slave Address | | 02H | Slave Address | | 02H |
| Function Code | | 03H | Function Code | | 03H | Function Code | | 83H |
| Starting No. | Upper | 00H | Data Quantity | | 08H | Error Code | | 03H |
| | Lower | 20H | 1st storage register | Upper | 00H | CRC-16 | Upper | F1H |
| Data Quantity | Upper | 00H | | Lower | 65H | | Lower | 31H |
| | CRC-16 | Upper | 45H | Next storage register | Upper | 00H | | |
| Lower | | FOH | Lower | | 00H | | | |
| | | | Next storage register | Upper | 00H | | | |
| | | | | Lower | 00H | | | |
| | | | Next storage register | Upper | 01H | | | |
| | | | | Lower | F4H | | | |
| | | | CRC-16 | Upper | AFH | | | |
| | | | | Lower | 82H | | | |

◆ Loopback Test

Function code 08H performs a loopback test. This test returns a response message with exactly the same content as the command message and can be used to check communications between the master and slave. User-defined test code and data values can be set.

The following table shows a message example when performing a loopback test with the slave 1 drive.

| Command Message | | | Response Message (normal) | | | Response Message (fault) | | |
|-----------------|-------|-----|---------------------------|-------|-----|--------------------------|-------|-----|
| Slave Address | | 01H | Slave Address | | 01H | Slave Address | | 01H |
| Function Code | | 08H | Function Code | | 08H | Function Code | | 89H |
| Test Code | Upper | 00H | Test Code | Upper | 00H | Error Code | | 01H |
| | Lower | 00H | | Lower | 00H | CRC-16 | Upper | 86H |
| Data | Upper | A5H | Data | Upper | A5H | | Lower | 50H |
| | Lower | 37H | | Lower | 37H | | | |
| CRC-16 | Upper | DAH | CRC-16 | Upper | DAH | | | |
| | Lower | 8DH | | Lower | 8DH | | | |

◆ Writing to Multiple Registers

Function code 10h allows the user to write multiple drive MEMOBUS/Modbus registers with one message. This process works similar to reading registers, i.e., the address of the first register that is to be written and the data quantity must be set in the command message. The data to be written must be consecutive so that the register addresses are in order, starting from the specified address in the command message. The data order must be high byte, then lower byte.

The following table shows an example of a message where a forward operation has been set with a frequency reference of 60.0 Hz for the slave 1 drive.

If parameter values are changed using the Write command, depending on the setting of H5-11, an Enter command will be necessary to activate the data or save them. [Refer to H5-11: Communications Enter Function Selection on page 483](#) and [Refer to Enter Command on page 503](#) for detailed descriptions.

| Command Message | | Response Message (normal) | | Response Message (fault) | |
|-----------------|-----|---------------------------|-----|--------------------------|-----|
| Slave Address | 01H | Slave Address | 01H | Slave Address | 01H |
| Function Code | 10H | Function Code | 10H | Function Code | 90H |

C.8 Message Examples

| Command Message | | | Response Message (normal) | | | Response Message (fault) | | |
|-----------------|-------|-----|---------------------------|-------|-----|--------------------------|-------|-----|
| Starting No. | Upper | 00H | Starting No. | Upper | 00H | Error Code | | 02H |
| | Lower | 01H | | Lower | 01H | CRC-16 | Upper | CDH |
| Data Quantity | Upper | 00H | Data Quantity | Upper | 00H | | Lower | CH |
| | Lower | 02H | | Lower | 02H | | | |
| Number of Bytes | | | CRC-16 | Upper | 10H | | | |
| Starting Data | Upper | 00H | | Lower | 08H | | | |
| | Lower | 01H | | | | | | |
| Next Data | Upper | 02H | | | | | | |
| | Lower | 58H | | | | | | |
| CRC-16 | Upper | 63H | | | | | | |
| | Lower | 39H | | | | | | |

Note: For the number of bytes in the command message, take double the number of the data quantity.

C.9 MEMOBUS/Modbus Data Table

Table below lists all MEMOBUS/Modbus data. There are three types of data: command data, monitor data, and broadcast data.

◆ Command Data

It is possible to both read and write command data.

Note: Bits that are not used should be set to 0. Refrain from writing to reserved registers.

| Register No. | Contents | |
|----------------|---|---|
| 0000H | Reserved | |
| 0001H | Operation Commands and Multi-function Inputs | |
| | bit 0 | H5-12 = 0: Forward Run Command (0 = Stop, 1 = Forward Run) H5-12 = 1: Run Command (0 = Stop, 1 = Run) |
| | bit 1 | H5-12 = 0: Reverse Run Command (0 = Stop, 1 = Reverse Run) H5-12 = 1: Forward/Reverse (0 = Forward, 1 = Reverse) |
| | bit 2 | External Fault (EF0) |
| | bit 3 | Fault Reset |
| | bit 4 | Multi-Function Input 1 Function is ComRef when H1-01 = 40 (Forward/Stop). <i>Refer to d: Reference Settings on page 180</i> for ComRef explanations. |
| | bit 5 | Multi-Function Input 2 Function is ComCtrl when H1-02 = 41 (Reverse/Stop). <i>Refer to d: Reference Settings on page 180</i> for ComCtrl explanations. |
| | bit 6 | Multi-Function Input 3 |
| | bit 7 | Multi-Function Input 4 |
| | bit 8 | Multi-Function Input 5 |
| | bit 9 | Multi-Function Input 6 |
| | bit A | Multi-Function Input 7 |
| | bit B | Multi-Function Input 8 |
| | bit C to F | Reserved |
| 0002H | Frequency Reference | Units are determined by parameter o1-03. |
| 0003H | V/f Gain | |
| 0004H | Torque Reference/Torque Limit, 0.1% units, signed | |
| 0005H | Torque Compensation, 0.1% units, signed | |
| 0006H | PID Target, 0.01% units, signed | |
| 0007H | Analog Output Terminal FM Setting (10 V / 4000 H) | |
| 0008H | Analog Output Terminal AM Setting (10 V / 4000 H) | |
| 0009H | Settings for Multi-Function Digital Outputs | |
| | bit 0 | Multi-Function Contact Output (terminal M1-M2) |
| | bit 1 | Multi-Function Contact Output 2 (terminal M3-M4) |
| | bit 2 | Multi-Function Contact Output 2 (terminal M5-M6) |
| | bit 3 to 5 | Reserved |
| | bit 6 | Enables the function in bit 7 |
| | bit 7 | Fault Contact Output (terminal MA/MB-MC) |
| bit 8 to F | Reserved | |
| 000AH | Pulse Output Terminal MP Setting, 1 Hz units, Setting Range: 0 to 32000 | |
| 000BH to 000EH | Reserved | |
| 000FH | Control Selection Setting | |
| | bit 0 | Reserved |
| | bit 1 | PID Target Input |
| | bit 2 | Torque reference / torque limit input (enables the setting from MEMOBUS/Modbus) |
| | bit 3 | Torque compensation input (enables the setting from MEMOBUS/Modbus) |
| | bit 4 to B | Reserved |
| | bit C | Enable Terminal S5 Input for Broadcast Data |
| | bit D | Enable Terminal S6 Input for Broadcast Data |
| | bit E | Enable Terminal S7 Input for Broadcast Data |
| bit F | Enable Terminal S8 Input for Broadcast Data | |
| 0010H to 001AH | Reserved | |
| 001BH | Analog Monitor Option AO-A3 Analog Output 1 (10 V/4000 H) | |
| 001CH | Analog Monitor Option AO-A3 Analog Output 2 (10 V/4000 H) | |
| 001DH | Digital Output Option DO-A3 Output (Binary) | |
| 001EH to 001FH | Reserved | |

C.9 MEMOBUS/Modbus Data Table

◆ Monitor Data

Monitor data can be read only.

| Register No. | Contents | |
|----------------|---|---|
| 0020H | Drive Status 1 | |
| | bit 0 | During Run |
| | bit 1 | During Reverse |
| | bit 2 | Drive Ready |
| | bit 3 | Fault |
| | bit 4 | Data Setting Error |
| | bit 5 | Multi-Function Contact Output 1 (terminal M1-M2) |
| | bit 6 | Multi-Function Contact Output 2 (terminal M3-M4) |
| | bit 7 | Multi-Function Contact Output 3 (terminal M5-M6) |
| | bit 8 to bit D | Reserved |
| bit E | ComRef status | |
| bit F | ComCtrl status | |
| 0021H | Fault Contents 1 | |
| | bit 0 | Overcurrent (oC), Ground fault (GF) |
| | bit 1 | Overvoltage (ov) |
| | bit 2 | Drive Overload (oL2) |
| | bit 3 | Overheat 1 (oH1), Drive Overheat Warning (oH2) |
| | bit 4 | Dynamic Braking Transistor Fault (rr), Braking Resistor Overheat (rH) |
| | bit 5 | Reserved |
| | bit 6 | PID Feedback Loss (FbL / FbH) |
| | bit 7 | EF to EF8: External Fault |
| | bit 8 | CPF□□: Hardware Fault (includes oFx) |
| | bit 9 | Motor Overload (oL1), Overtorque Detection 1/2 (oL3/oL4), Undertorque Detection 1/2 (UL3/UL4) |
| | bit A | PG Disconnected (PGo), PG Hardware Fault (PGoH), Overspeed (oS), Excessive Speed Deviation (dEv), |
| | bit B | Main Circuit Undervoltage (Uv) |
| | bit C | Undervoltage (Uv1), Control Power Supply Undervoltage (Uv2), Soft Charge Circuit Fault (Uv3) |
| bit D | Output Phase Loss (LF), Input Phase Loss (PF) | |
| bit E | MEMOBUS/Modbus Communication Error (CE), Option Communication Error (bUS) | |
| bit F | Operator Connection Fault (oPr) | |
| 0022H | Data Link Status | |
| | bit 0 | Writing data or switching motors |
| | bit 1 | Reserved |
| | bit 2 | |
| | bit 3 | Upper or lower limit error |
| | bit 4 | Data conformity error |
| | bit 5 | Writing to EEPROM |
| bit 6 to bit F | Reserved | |
| 0023H | Frequency Reference, </> | |
| 0024H | Output Frequency, </> | |
| 0025H | Output Voltage Reference, 0.1 V units (units are determined by parameter H5-10) | |
| 0026H | Output Current, 0.1 A units | |
| 0027H | Output Power | |
| 0028H | Torque Reference | |
| 0029H | Fault Contents 2 | |
| | bit 0 | Reserved |
| | bit 1 | Ground Fault (GF) |
| | bit 2 | Input Phase Loss (PF) |
| | bit 3 | Output Phase Loss (LF) |
| | bit 4 | Braking Resistor Overheat (rH) |
| | bit 5 | Reserved |
| | bit 6 | Motor Overheat 2 (PTC input) (oH4) |
| bit 7 to bit F | Reserved | |

| Register No. | Contents | |
|----------------|--|--|
| 002AH | Alarm Contents1 | |
| | bit 0, 1 | Reserved |
| | bit 2 | Run Command Input Error (EF) |
| | bit 3 | Drive Baseblock (bb) |
| | bit 4 | Overtorque Detection 1 (oL3) |
| | bit 5 | Heatsink Overheat (oH) |
| | bit 6 | Overvoltage (ov) |
| | bit 7 | Undervoltage (Uv) |
| | bit 8 | Cooling Fan Error (FAn) |
| | bit 9 | MEMOBUS/Modbus Communication Error (CE) |
| | bit A | Option Communication Error (bUS) |
| | bit B | Undertorque Detection 1/2 (UL3/UL4) |
| | bit C | Motor Overheat (oH3) |
| | bit D | PID Feedback Loss (FbL, FbH) |
| | bit E | Reserved |
| bit F | Serial Communication Transmission Error (CALL) | |
| 002BH | Input Terminal Status | |
| | bit 0 | Terminal S1 Closed |
| | bit 1 | Terminal S2 Closed |
| | bit 2 | Terminal S3 Closed |
| | bit 3 | Terminal S4 Closed |
| | bit 4 | Terminal S5 Closed |
| | bit 5 | Terminal S6 Closed |
| | bit 6 | Terminal S7 Closed |
| | bit 7 | Terminal S8 Closed |
| bit 8 to bit F | Reserved | |
| 002CH | Drive Status 2 | |
| | bit 0 | During Run |
| | bit 1 | Zero Speed |
| | bit 2 | Speed Agree |
| | bit 3 | User Speed Agree |
| | bit 4 | Frequency Detection 1 |
| | bit 5 | Frequency Detection 2 |
| | bit 6 | Drive Ready |
| | bit 7 | During Undervoltage |
| | bit 8 | During Baseblock |
| | bit 9 | Frequency Reference from Operator Keypad |
| | bit A | Run Command from Operator Keypad |
| | bit B | Over/Undertorque 1, 2 |
| | bit C | Frequency Reference Loss |
| | bit D | During Fault Restart |
| bit E | Fault | |
| bit F | Communication Timeout | |
| 002DH | Output Terminal Status | |
| | bit 0 | Multi-Function Contact Output 1 (terminal M1-M2) |
| | bit 1 | Multi-Function Contact Output 2 (terminal M3-M4) |
| | bit 2 | Multi-Function Contact Output 3 (terminal M5-M6) |
| | bit 3 to 6 | Reserved |
| | bit 7 | Fault Contact Output (terminal MA/MB-MC) |
| | bit 8 to F | Reserved |
| 002EH | Reserved | |
| 002FH | Frequency Reference Bias (from Up/Down 2 Function), 0.1% units | |
| 0030H | Reserved | |
| 0031H | DC Bus Voltage, 1 Vdc units | |
| 0032H | Torque Reference (U1-09), 1% units | |
| 0033H | Reserved | |
| 0034H | Product Code 1 [ASCII], Product Type (A0 for A1000) | |
| 0035H | Product Code 2 [ASCII], Region Code | |
| 0036H, 0037H | Reserved | |
| 0038H | PID Feedback, 0.1% units, unsigned, 100% / max. output frequency | |
| 0039H | PID Input, 0.1% units, signed, 100% / max. output frequency | |
| 003AH | PID Output, 0.1% units, signed, 100% / max. output frequency | |
| 003BH, 003CH | Reserved | |

C.9 MEMOBUS/Modbus Data Table

| Register No. | Contents | |
|----------------|---|---|
| 003DH | Communications Error Contents <3> | |
| | bit 0 | CRC Error |
| | bit 1 | Data Length Error |
| | bit 2 | Reserved |
| | bit 3 | Parity Error |
| | bit 4 | Overrun Error |
| | bit 5 | Framing Error |
| | bit 6 | Timeout |
| bit 7 to bit F | Reserved | |
| 003EH | Output Frequency | r/min <4> |
| 003FH | | 0.01% units |
| 0040H to 004AH | Used for various monitors U1-□□. Refer to U: Monitors on page 447 for parameter details. | |
| 004BH | Drive status (U1-12) | |
| | bit 0 | During Run |
| | bit 1 | During Zero Speed |
| | bit 2 | During Reverse Run |
| | bit 3 | During Fault Reset Signal Input |
| | bit 4 | During Speed Agree |
| | bit 5 | Drive Ready |
| | bit 6 | Alarm |
| | bit 7 | Fault |
| | bit 8 | During Operation Error (oPE□□) |
| | bit 9 | During Momentary Power Loss |
| | bit A | Motor 2 selected |
| | bit B | Reserved |
| | bit E | ComRef status, NetRef status |
| bit F | ComCtrl status, NetCtrl status | |
| 004CH to 007EH | Used for various monitors U1-□□, U4-□□, U5-□□ and U6-□□. Refer to U: Monitors on page 447 for parameter details. | |
| 007FH | Alarm Code, Refer to Alarm Register Contents on page 501 for alarm codes. | |
| 0080H to 0097H | Used for monitors U2-□□, U3-□□. Refer to U: Monitors on page 447 for parameter details and Refer to Fault Trace Contents on page 500 for register value descriptions. | |
| 0098H | High Word of Accumulated Operation Time Monitor, 10H units (U4-01) | |
| 0099H | Low Word of Accumulated Operation Time Monitor, 1H units (U4-01) | |
| 009AH | High Word of Cooling Fan Operation Time Monitor (U4-03) | |
| 009BH | Low Word of Cooling Fan Operation Time Monitor (U4-03) | |
| 009CH to 00AAH | Reserved | |
| 00ABH | Drive Rated Current <2> | |
| 00ACH | Motor Speed (U1-05) | r/min units <4> |
| 00ADH | | 0.01% units |
| 00AEH, 00AFH | Reserved | |
| 00B0H | Option Code Connected to CN5-A | Register contains ASCII code of the option card. DI-A3 = 0x01 DO-A3 = 0x02 AI-A3 = 0x03 AO-A3 = 0x04 PG-B3 = 0x11 PG-X3 = 0x12 Communication Option: Register contains ASCII code of 1st and 3rd digit of the option card type number. Example: Register value is 5343H for "SC" if a SI-C3 option card is installed. |
| 00B1H | Reserved | |
| 00B2H | Option Code Connected to CN5-B | |
| 00B3H | Option Code Connected to CN5-C | |
| 00B4H | Reserved | |
| 00B5H | Frequency Reference After Soft-starter (U1-16) | r/min units <4> |
| 00B6H | | 0.01% units |
| 00B7H | Frequency Reference | r/min <4> |
| 00B8H | | 0.01% units |
| 00B9H to 00BEH | Reserved | |
| 00BFH | Lists the last to digits of operation error code oPE□□. | |

| Register No. | Contents | |
|--------------|---|---|
| 00C0H | Fault contents 3 | |
| | bit 1 | Undervoltage (Uv1) |
| | bit 2 | Control Power Supply Undervoltage (Uv2) |
| | bit 3 | Soft Charge Circuit Fault (Uv3) |
| | bit 4 | Reserved |
| | bit 5 | Ground Fault (GF) |
| | bit 6 | Overcurrent (oC) |
| | bit 7 | Overvoltage (ov) |
| | bit 8 | Heatsink Overheat (oH) |
| | bit 9 | Heatsink Overheat (oH1) |
| | bit A | Motor Overload (oL1) |
| | bit B | Drive Overload (oL2) |
| | bit C | Overtorque Detection 1 (oL3) |
| | bit D | Overtorque Detection 2 (oL4) |
| bit E | Dynamic Braking Transistor Fault (rr) | |
| bit F | Braking Resistor Overheat (rH) | |
| 00C1H | Fault contents 4 | |
| | bit 0 | External Fault at input terminal S3 (EF3) |
| | bit 1 | External Fault at input terminal S4 (EF4) |
| | bit 2 | External Fault at input terminal S5 (EF5) |
| | bit 3 | External Fault at input terminal S6 (EF6) |
| | bit 4 | External Fault at input terminal S7 (EF7) |
| | bit 5 | External Fault at input terminal S8 (EF8) |
| | bit 6 | Cooling Fan Error (FAn) |
| | bit 7 | Overspeed (os) |
| | bit 8 | Excessive Speed Deviation (dEv) |
| | bit 9 | PG Disconnected (PGo) |
| | bit A | Input Phase Loss (PF) |
| | bit B | Output Phase Loss (LF) |
| | bit C | Motor Overheat (PTC input) (oH3) |
| bit D | Digital Operator Connection Fault (oPr) | |
| bit E | EEPROM Write Error (Err) | |
| bit F | Motor Overheat Fault (PTC input) (oH4) | |
| 00C2H | Fault contents 5 | |
| | bit 0 | MEMOBUS/Modbus Communication Error (CE) |
| | bit 1 | Option Communication Error (bUS) |
| | bit 2, 3 | Reserved |
| | bit 4 | Control Fault (CF) |
| | bit 5 | Zero Servo Fault (SvE) |
| | bit 6 | Option External Fault (EF0) |
| | bit 7 | PID Feedback Loss (FbL) |
| | bit 8 | Undertorque Detection 1 (UL3) |
| | bit 9 | Undertorque Detection 2 (UL4) |
| | bit A | High Slip Braking Overload (oL7) |
| | bit B to E | Reserved |
| | bit F | Hardware Fault (includes oFx) |
| 00C3H | Fault contents 6 | |
| | bit 0 | Reserved |
| | bit 1 | Z Pulse Fall Detection (dv1) |
| | bit 2 | Z Pulse Noise Fault Detection (dv2) |
| | bit 3 | Inversion Detection (dv3) |
| | bit 4 | Inversion Prevention Detection (dv4) |
| | bit 5 | Current Imbalance (LF2) |
| | bit 6 | Pullout Detection (STo) |
| | bit 7 | PG Hardware Fault (PGoH) |
| | bit 8 | SI-T3 Watchdog Error (E5) |
| | bit 9 | Reserved |
| | bit A | Too many speed search restarts (SEr) |
| bit B to F | Reserved | |

C.9 MEMOBUS/Modbus Data Table

| Register No. | Contents | |
|--------------|-------------------------------------|--|
| 00C4H | Fault contents 7 | |
| | bit 0 | PID Feedback Loss (FbH) |
| | bit 1 | External Fault 1, input terminal S1 (EF1) |
| | bit 2 | External Fault 2, input terminal S2 (EF2) |
| | bit 3 | Mechanical Weakening Detection 1 (oL5) |
| | bit 4 | Mechanical Weakening Detection 2 (UL5) |
| | bit 5 | Current Offset Fault (CoF) |
| | bit 6, 7 | Reserved |
| | bit 8 | DriveWorksEZ Fault (dWFL) |
| | bit 9 to B | Reserved |
| | bit C | Output Voltage Detection Fault (voF) |
| | bit D | Braking Resistor Fault (rF) |
| | bit E | Braking Transistor Overload Fault (boL) |
| | bit F | Reserved |
| 00C5H | bit 0, 1 | Reserved |
| | bit 2 | Node Setup Fault (nSE) |
| | bit 3 to F | Reserved |
| 00C6H, 00C7H | Reserved | |
| 00C8H | Alarm contents 2 | |
| | bit 0 | Undervoltage (Uv) |
| | bit 1 | Overvoltage (ov) |
| | bit 2 | Heatsink Overheat (oH) |
| | bit 3 | Drive Overheat (oH2) |
| | bit 4 | Overtorque 1 (oL3) |
| | bit 5 | Overtorque 2 (oL4) |
| | bit 6 | Run Commands Input Error (EF) |
| | bit 7 | Drive Baseblock (bb) |
| | bit 8 | External Fault 3, input terminal S3 (EF3) |
| | bit 9 | External Fault 4, input terminal S4 (EF4) |
| | bit A | External Fault 5, input terminal S5 (EF5) |
| | bit B | External Fault 6, input terminal S6 (EF6) |
| | bit C | External Fault 7, input terminal S7 (EF7) |
| | bit D | External Fault 8, input terminal S8 (EF8) |
| bit E | Cooling Fan Error (FAn) | |
| bit F | Overspeed (oS) | |
| 00C9H | Alarm contents 3 | |
| | bit 0 | Excessive Speed Deviation (dEv) |
| | bit 1 | PG Disconnected (PGo) |
| | bit 2 | Digital Operator Connection Fault (oPr) |
| | bit 3 | MEMOBUS/Modbus Communication Error (CE) |
| | bit 4 | Option Communication Error (bUS) |
| | bit 5 | Serial Communication Transmission Error (CALL) |
| | bit 6 | Motor Overload (oL1) |
| | bit 7 | Drive Overload (oL2) |
| | bit 8 | Reserved |
| | bit 9 | Option Card External fault (EF0) |
| | bit A | Motor 2 Switch command input during run (rUn) |
| | bit B | Reserved |
| | bit C | Serial Communication Transmission Error (CALL) |
| | bit D | Undertorque Detection 1 (UL3) |
| bit E | Undertorque Detection 2 (UL4) | |
| bit F | MEMOBUS/Modbus Test Mode Fault (SE) | |
| 00CAH | Alarm contents 4 | |
| | bit 0 | Reserved |
| | bit 1 | Motor Overheat 1 (PTC Input) (oH3) |
| | bit 2 to 5 | Reserved |
| | bit 6 | PID Feedback Loss (FbL) |
| | bit 7 | PID Feedback Loss (FbH) |
| | bit 9 | Drive Disabled (dnE) |
| | bit A | PG Disconnected (PGo) |
| bit B to F | Reserved | |

| Register No. | Contents | |
|----------------|--|---|
| 00CBH | Alarm Contents 5 | |
| | bit 0 | SI-T3 Watchdog Error (E5) |
| | bit 1 | SI-T3 Station Address Setting Error (AEr) |
| | bit 2 | SI-T3 Comm. Cycle Setting Error (CyC) |
| | bit 3 | High Current Alarm (HCA) |
| | bit 4 | Cooling Fan Maintenance Time (LT-1) |
| | bit 5 | Soft Charge Bypass Relay Maintenance Time (LT-2) |
| | bit 6 | Reserved |
| | bit 7 | SI-S EEPROM Error (EEP) |
| | bit 8 | External Fault 1 (input terminal S1) (EF1) |
| | bit 9 | External Fault 2 (input terminal S2) (EF2) |
| | bit A | Safe Disable Input (HbbF) |
| | bit B | Safe Disable Input (Hbb) |
| | bit C | Mechanical Weakening Detection 1 (oL5) |
| bit D | Mechanical Weakening Detection 2 (UL5) | |
| bit E, F | Reserved | |
| 00CCH | Alarm Contents 6 | |
| | bit 0 | Output Voltage Detection Fault (VoF) |
| | bit 1 | IGBT Maintenance Time (90%) (TrPC) |
| | bit 2 | Capacitor Maintenance Time (LT-3) |
| | bit 3 | IGBT Maintenance Time (50%) (LT-4) |
| | bit 4 | Braking Transistor Overload Fault (boL) |
| | bit 5 to 7 | Reserved |
| | bit 8 | DriveWorkSEZ Alarm (dWAL) |
| bit 9 to F | Reserved | |
| 00CDH to 00CFH | Reserved | |
| 00D0H | CPF Contents 1 | |
| | bit 0, 1 | Reserved |
| | bit 2 | A/D Conversion Error (CPF02) |
| | bit 3 | PWM Data Fault (CPF03) |
| | bit 4, 5 | Reserved |
| | bit 6 | EEPROM Memory Data Error (CPF06) |
| | bit 7 | Terminal Board Connection Error (CPF07) |
| | bit 8 | EEPROM Serial Communications Fault (CPF08) |
| | bit 9, A | Reserved |
| | bit B | RAM Fault (CPF11) |
| | bit C | FLASH Memory Fault (CPF12) |
| | bit D | Watchdog Circuit Exception (CPF13) |
| | bit E | Control Circuit Fault (CPF14) |
| bit F | Reserved | |
| 00D1H | CPF Contents 2 | |
| | bit 0 | Clock Fault (CPF16) |
| | bit 1 | Timing Fault (CPF17) |
| | bit 2 | Control Circuit Fault (CPF18) |
| | bit 3 | Control Circuit Fault (CPF19) |
| | bit 4 | Hardware fault at power up (CPF20) |
| | bit 5 | Hardware fault at communication start up (CPF21) |
| | bit 6 | A/D Conversion Fault (CPF22) |
| | bit 7 | PWM Feedback Fault (CPF23) |
| | bit 8 | Drive Unit Signal Fault (CPF24) |
| | bit 9 | Terminal board is not properly connected. (CPF25) |
| | bit A | ASIC BB Circuit Error (CPF26) |
| | bit B | ASIC PWM Setting Register Error (CPF27) |
| | bit C | ASIC PWM Pattern Error (CPF28) |
| bit D | ASIC On-delay Error (CPF29) | |
| bit E | ASIC BBON Error (CPF30) | |
| bit F | ASIC Code Error (CPF31) | |
| 00D2H | bit 0 | ASIC Start-up Error (CPF32) |
| | bit 1 | Watch-dog Error (CPF33) |
| | bit 2 | ASIC Power/Clock Error (CPF34) |
| | bit 3 | External A/D Converter Error (CPF35) |
| bit 4 to F | Reserved | |
| 00D3H to 00D7H | oFA0x Contents (CN5-A) | |

C.9 MEMOBUS/Modbus Data Table

| Register No. | Contents | |
|----------------|------------------------|--|
| 00D8H | oFA0x Contents (CN5-A) | |
| | bit 0 | Option Compatibility Error (oFA00) |
| | bit 1 | Option not properly connected (oFA01) |
| | bit 2 | Same type of option card already connected (oFA02) |
| | bit 3, 4 | Reserved |
| | bit 5 | A/D Conversion Error (oFA05) |
| | bit 6 | Option Response Error (oFA06) |
| | bit 7 to F | Reserved |
| 00D9H | oFA1x Contents (CN5-A) | |
| | bit 0 | Option RAM Fault (oFA10) |
| | bit 1 | Option Operation Mode Fault (SLMOD) (oFA11) |
| | bit 2 | Drive Receive CRC Error (oFA12) |
| | bit 3 | Drive Receive Frame Error (oFA13) |
| | bit 4 | Drive Receive Abort Error (oFA14) |
| | bit 5 | Option Receive CRC Error (oFA15) |
| | bit 6 | Option Receive Frame Error (oFA16) |
| | bit 7 | Option Receive Abort Error (oFA17) |
| | bit 8 to F | Reserved |
| 00DAH to 00DBH | Reserved | |
| 00DBH | oFA3x Contents (CN5-A) | |
| | bit 0 | Comm. ID Error (oFA30) |
| | bit 1 | Model Code Error (oFA31) |
| | bit 2 | Sumcheck Error (oFA32) |
| | bit 3 | Comm. option timeout waiting for response (oFA33) |
| | bit 4 | MEMOBUS Timeout (oFA34) |
| | bit 5 | Drive timeout waiting for response (oFA35) |
| | bit 6 | CI Check Error (oFA36) |
| | bit 7 | Drive timeout waiting for response (oFA37) |
| | bit 8 | Control Command Selection Error (oFA38) |
| | bit 9 | Drive timeout waiting for response (oFA39) |
| | bit A | Control Response Selection 1 Error (oFA40) |
| | bit B | Drive timeout waiting for response (oFA41) |
| | bit C | Control Response Selection 2 Error (oFA42) |
| | bit D | Control Response Selection Error (oFA43) |
| bit E, F | Reserved | |
| 00DCH | oFb0x Contents (CN5-B) | |
| | bit 0 | Option compatibility error (oFb00) |
| | bit 1 | Option not properly connected (oFb01) |
| | bit 2 | Same type of option card already connected (oFb02) |
| | bit 3, 4 | Reserved |
| | bit 5 | A/D Conversion Fault (oFb05) |
| | bit 6 | Option Response Error (oFb06) |
| | bit 7 to F | Reserved |
| 00DDH | oFb1x Contents (CN5-B) | |
| | bit 0 | Option RAM Fault (oFb10) |
| | bit 1 | Option Operation Mode Fault (SLMOD) (oFb11) |
| | bit 2 | Drive Receive CRC Error (oFb12) |
| | bit 3 | Drive Receive Frame Error (oFb13) |
| | bit 4 | Drive Receive Abort Error (oFb14) |
| | bit 5 | Option Receive CRC Error (oFb15) |
| | bit 6 | Option Receive Frame Error (oFb16) |
| | bit 7 | Option Receive Abort Error (oFb17) |
| | bit 8 to F | Reserved |
| 00DEH to 00DFH | Reserved | |

| Register No. | Contents | |
|----------------|------------------------|--|
| 00E0H | oFb3x Contents (CN5-B) | |
| | bit 0 | Comm. ID Error (oFb30) |
| | bit 1 | Model Code Error (oFb31) |
| | bit 2 | Sumcheck Error (oFb32) |
| | bit 3 | Comm. option timeout waiting for response (oFb33) |
| | bit 4 | MEMOBUS Timeout (oFb34) |
| | bit 5 | Drive timeout waiting for response (oFb35) |
| | bit 6 | CI Check Error (oFb36) |
| | bit 7 | Drive timeout waiting for response (oFb37) |
| | bit 8 | Control Command Selection Error (oFb38) |
| | bit 9 | Drive timeout waiting for response (oFb39) |
| | bit A | Control Response Selection 1 Error (oFb40) |
| | bit B | Drive timeout waiting for response (oFb41) |
| | bit C | Control Response Selection 2 Error (oFb42) |
| | bit D | Control Response Selection Error (oFb43) |
| bit E, F | Reserved | |
| 00E1H | oFC0x Contents (CN5-C) | |
| | bit 0 | Option compatibility error (oFC00) |
| | bit 1 | Option not properly connected (oFC01) |
| | bit 2 | Same type of option card already connected (oFC02) |
| | bit 3, 4 | Reserved |
| | bit 5 | A/D Conversion Fault (oFC05) |
| | bit 6 | Option Response Error (oFC06) |
| | bit 7 to F | Reserved |
| 00E2H | oFC1x Contents (CN5-C) | |
| | bit 0 | Option RAM Fault (oFC10) |
| | bit 1 | Option Operation Mode Fault (SLMOD) (oFC11) |
| | bit 2 | Drive Receive CRC Error (oFC12) |
| | bit 3 | Drive Receive Frame Error (oFC13) |
| | bit 4 | Drive Receive Abort Error (oFC14) |
| | bit 5 | Option Receive CRC Error (oFC15) |
| | bit 6 | Option Receive Frame Error (oFC16) |
| | bit 7 | Option Receive Abort Error (oFC17) |
| bit 8 to F | Reserved | |
| 00E3H, 00E4H | Reserved | |
| 00E5H | oFC3x Contents (CN5-C) | |
| | bit 0 | Comm. ID Error (oFC30) |
| | bit 1 | Model Code Error (oFC31) |
| | bit 2 | Sumcheck Error (oFC32) |
| | bit 3 | Comm. option timeout waiting for response (oFC33) |
| | bit 4 | MEMOBUS Timeout (oFC34) |
| | bit 5 | Drive timeout waiting for response (oFC35) |
| | bit 6 | CI Check Error (oFC36) |
| | bit 7 | Drive timeout waiting for response (oFC37) |
| | bit 8 | Control Command Selection Error (oFC38) |
| | bit 9 | Drive timeout waiting for response (oFC39) |
| | bit A | Control Response Selection 1 Error (oFC40) |
| | bit B | Drive timeout waiting for response (oFC41) |
| | bit C | Control Response Selection 2 Error (oFC42) |
| | bit D | Control Response Selection Error (oFC43) |
| bit E, F | Reserved | |
| 00E6H to 00FFH | Reserved | |

- <1> Units are determined by parameter o1-03.
- <2> This value's number of decimal places depends on the drive model and the Heavy/Normal duty selection in parameter C6-01. The value will have two decimal places (0.01 A) if the drive is set for a Maximum Applicable Motor Capacity up to 11 kW (refer to [Table A.2](#) and [Table A.3](#)) and one decimal place (0.1 A) if the set Maximum Applicable Motor Capacity is higher than 11 kW.
- <3> The contents of a communication error are saved until the fault is reset.
- <4> Depending on the motor used, the correct motor pole number must be set to parameter E2-04, E4-04, or E5-05.

◆ Broadcast Messages

Data can be written from the master to all slave devices at the same time.

The slave address in a broadcast command message must be set to 00H. All slaves will receive the message, but will not respond.

| Register No. | Contents | |
|--------------|---------------------------------|--|
| 0001H | Digital Input Command | |
| | bit 0 | Forward Run (0: Stop 1: Run) |
| | bit 1 | Direction Command (0: Forward, 1: Reverse) |
| | bit 2, 3 | Reserved |
| | bit 4 | External Fault |
| | bit 5 | Fault Reset |
| | bit 6 to B | Reserved |
| | bit C | Multi-Function Digital Input S5 |
| | bit D | Multi-Function Digital Input S6 |
| | bit E | Multi-Function Digital Input S7 |
| bit F | Multi-Function Digital Input S8 | |
| 0002H | Frequency Reference | 30000/100% |

◆ Fault Trace Contents

The table below shows the fault codes that can be read out by MEMOBUS/Modbus commands from the U2-□□ monitor parameters.

Table C.4 Fault Trace / History Register Contents

| Fault Code | Fault Name | Fault Code | Fault Name |
|------------|---|------------|--|
| 0002H | Undervoltage (Uv1) | 0096H | Hardware fault at communication start up (CPF21) |
| 0003H | Control Power Supply Undervoltage (Uv2) | 0097H | A/D Conversion Fault (CPF22) |
| 0004H | Soft Charge Circuit Fault (Uv3) | 0098H | PWM Feedback Fault (CPF23) |
| 0006H | Ground Fault (GF) | 0099H | Drive Unit Signal Fault (CPF24) |
| 0007H | Overcurrent (oC) | 009AH | Terminal board is not properly connected. (CPF25) |
| 0008H | Overvoltage (ov) | 009BH | ASIC BB Circuit Error (CPF26) |
| 0009H | Heatsink Overheat (oH) | 009CH | ASIC PWM Setting Register Error (CPF27) |
| 000AH | Heatsink Overheat (oH1) | 009DH | ASIC PWM Pattern Error (CPF28) |
| 000BH | Motor Overload (oL1) | 009EH | ASIC On-Delay Error (CPF29) |
| 000CH | Drive Overload (oL2) | 009FH | ASIC BBON Error (CPF30) |
| 000DH | Overtorque Detection 1 (oL3) | 00A0H | ASIC Code Error (CPF31) |
| 000EH | Overtorque Detection 2 (oL4) | 00A1H | ASIC Start-p Error (CPF32) |
| 000FH | Dynamic Braking Transistor (rr) | 00A2H | Watch-dog Error (CPF33) |
| 0010H | Braking Resistor Overheat (rH) | 00A3H | ASIC Power/Clock Error (CPF34) |
| 0011H | External Fault at input terminal S3 (EF3) | 00A4H | External A/D Converter Error (CPF35) |
| 0012H | External Fault at input terminal S4 (EF4) | 0101H | Option compatibility error (oFA00) |
| 0013H | External Fault at input terminal S5 (EF5) | 0102H | Option not properly connected (oFA01) |
| 0014H | External Fault at input terminal S6 (EF6) | 0103H | Same type of option card already connected (oFA02) |
| 0015H | External Fault at input terminal S7 (EF7) | 0106H | A/D Conversion Error (oFA05) |
| 0016H | External Fault at input terminal S8 (EF8) | 0107H | Option Response Error (oFA06) |
| 0018H | Overspeed (oS) | 0111H | Option RAM Fault (oFA10) |
| 0019H | Excessive Speed Deviation (dEv) | 0112H | Option Operation Mode Fault (SLMOD) (oFA11) |
| 001AH | PG Disconnect (PGo) | 0113H | Drive Receive CRC Error (oFA12) |
| 001BH | Input Phase Loss (PF) | 0114H | Drive Receive Frame Error (oFA13) |
| 001CH | Output Phase Loss (LF) | 0115H | Drive Receive Abort Error (oFA14) |
| 001DH | Motor Overheat (PTC input) (oH3) | 0116H | Option Receive CRC Error (oFA15) |
| 001EH | Digital Operator Connection (oPr) | 0117H | Option Receive Frame Error (oFA16) |
| 001FH | EEPROM Write Error (Err) | 0118H | Option Receive Abort Error (oFA17) |
| 0020H | Motor Overheat (PTC input) (oH4) | 0131H | Comm. ID Error (oFA30) |
| 0021H | MEMOBUS/Modbus Communication Error (CE) | 0132H | Model Code Error (oFA31) |
| 0022H | Option Communication Error (bUS) | 0133H | Sumcheck Error (oFA32) |
| 0025H | Control fault (CF) | 0134H | Comm. option timeout waiting for response (oFA33) |
| 0026H | Zero-Serve Fault (SvE) | 0135H | MEMOBUS Timeout (oFA34) |
| 0027H | Option External Fault (EF0) | 0136H | Drive timeout waiting for response (oFA35) |
| 0028H | PID Feedback Loss (FbL) | 0137H | CI Check Error (oFA36) |
| 0029H | Undertorque Detection 1 (UL3) | 0138H | Drive timeout waiting for response (oFA37) |
| 002AH | Undertorque Detection 2 (UL4) | 0139H | Control Command Selection Error (oFA38) |

| Fault Code | Fault Name | Fault Code | Fault Name |
|------------|---|------------|--|
| 002BH | High Slip Braking Overload (oL7) | 013AH | Drive timeout waiting for response (oFA39) |
| 0030H | Hardware Fault (including ofX) | 013BH | Control Response Selection 1 Error (oFA40) |
| 0032H | Z Pulse Fall Detection (dv1) | 013CH | Drive timeout waiting for response (oFA41) |
| 0033H | Z Pulse Noise Fault Detection (dv2) | 013DH | Control Response Selection 2 Error (oFA42) |
| 0034H | Inversion Detection (dv3) | 013EH | Control Response Selection Error (oFA43) |
| 0035H | Inversion Prevention Detection (dv4) | 0201H | Option Connection Error (oFb01) |
| 0036H | Output Current Imbalance (LF2) | 0202H | Same type of option card already connected (oFb02) |
| 0037H | Pullout Detection (Sto) | 0205H | A/D Conversion Error (oFb05) |
| 0038H | PG Hardware Fault (PGoH) | 0206H | Option Response Error (oFb06) |
| 003BH | Too many speed search restarts (SEr) | 0210H | Option RAM Fault (oFb10) |
| 0041H | PID Feedback Loss (FbH) | 0211H | Option Operation Mode Fault (SLMOD) (oFb11) |
| 0042H | External Fault 1, input terminal S1 (EF1) | 0212H | Drive Receive CRC Error (oFb12) |
| 0043H | External Fault 2, input terminal S2 (EF2) | 0213H | Drive Receive Frame Error (oFb13) |
| 0044H | Mechanical Weakening Detection 1 (oL5) | 0214H | Drive Receive Abort Error (oFb14) |
| 0045H | Mechanical Weakening Detection 2 (UL5) | 0215H | Option Receive CRC Error (oFb15) |
| 0046H | Current Offset Fault (CoF) | 0216H | Option Receive Frame Error (oFb16) |
| 0047H | PLC Detection Error 1 (PE1) | 0217H | Option Receive Abort Error (oFb17) |
| 0048H | PLC Detection Error 2 (PE2) | 0231H | Comm. ID Error (oFb30) |
| 0049H | DriveWorksEZ Fault (dWFL) | 0232H | Model Code Error (oFb31) |
| 004DH | Output Voltage Detection Fault (voF) | 0233H | Sumcheck Error (oFb32) |
| 004EH | Braking Resistor Transistor Fault (rF) | 0234H | Comm. option timeout waiting for response (oFb33) |
| 004FH | Braking Transistor Overload Fault (boL) | 0235H | MEMOBUS Timeout (oFb34) |
| 0052H | Node Setup Fault (nSE) | 0236H | Drive timeout waiting for response (oFb35) |
| 0083H | A/D Conversion Error (CPF02) | 0237H | CI Check Error (oFb36) |
| 0084H | PWM Data Fault (CPF03) | 0238H | Drive timeout waiting for response (oFb37) |
| 0087H | EEPROM Memory Data Error (CPF06) | 0239H | Control Command Selection Error (oFb38) |
| 0088H | Terminal Board Connection Error (CPF07) | 023AH | Drive timeout waiting for response (oFb39) |
| 0089H | EEPROM Serial Communication Fault (CPF08) | 023BH | Control Response Selection 1 Error (oFb40) |
| 008CH | RAM Fault (CPF11) | 023CH | Drive timeout waiting for response (oFb41) |
| 008DH | Flash Memory Circuit Exception (CPF12) | 023DH | Control Response Selection 2 Error (oFb42) |
| 008EH | Watchdog Circuit Exception (CPF13) | 023EH | Control Response Selection Error (oFb43) |
| 008FH | Control Circuit Fault (CPF14) | 0300H | Option Compatibility Error (oFC00) |
| 0091H | Clock Fault (CPF16) | 0301H | Option not properly connected (oFC01) |
| 0092H | Timing Fault (CPF17) | 0302H | Same type of option card already connected (oFC02) |
| 0093H | Control Circuit Fault (CPF18) | 0305H | A/D Conversion Error (oFC05) |
| 0094H | Control Circuit Fault (CPF19) | 0306H | Option Response Error (oFC06) |
| 0095H | Hardware fault at power up (CPF20) | | |

◆ Alarm Register Contents

The table below shows the alarm codes that can be read out from MEMOBUS/Modbus register 007FH.

Table C.5 Alarm Register 007FH Contents

| Alarm Code | Fault Name | Alarm Code | Fault Name |
|------------|--|------------|---|
| 0001H | Undervoltage (Uv) | 0020H | MEMOBUS/Modbus Test Mode Fault (SE) |
| 0002H | Overvoltage (ov) | 0022H | Motor Overheat (oH3) |
| 0003H | Heatsink Overheat (oH) | 0027H | PID Feedback Loss (FbL) |
| 0004H | Drive Overheat (oH2) | 0028H | PID Feedback Loss (FbH) |
| 0005H | Overtorque 1 (oL3) | 002AH | Drive Disabled (dnE) |
| 0006H | Overtorque 2 (oL4) | 002BH | PG Disconnected (PGo) |
| 0007H | Run commands input error (EF) | 0031H | SI-T3 Watchdog Error (E5) |
| 0008H | Drive Baseblock (bb) | 0032H | SI-T3 Station Address Setting Error (AEr) |
| 0009H | External Fault 3, input terminal S3 (EF3) | 0033H | SI-T3 Comm. Cycle Setting Error (CyC) |
| 000AH | External Fault 4, input terminal S4 (EF4) | 0034H | High Current Alarm (HCA) |
| 000BH | External Fault 5, input terminal S5 (EF5) | 0035H | Cooling Fan Maintenance Time (LT-1) |
| 000CH | External Fault 6, input terminal S6 (EF6) | 0036H | Capacitor Maintenance Time (LT-2) |
| 000DH | External Fault 7, input terminal S7 (EF7) | 0038H | SI-S EEPROM Error (EEP) |
| 000EH | External Fault 8, input terminal S8 (EF8) | 0039H | External Fault (input terminal S1) (EF1) |
| 000FH | Cooling Fan Error (FAN) | 003AH | External Fault (input terminal S2) (EF2) |
| 0010H | Overspeed (oS) | 003BH | Safe Disable Input (HbbF) |
| 0011H | Excessive Speed Deviation (dEv) | 003CH | Safe Disable Input (Hbb) |
| 0012H | PG Disconnected (PGo) | 003DH | Mechanical Weakening Detection 1 (oL5) |
| 0014H | MEMOBUS/Modbus Communication Error (CE) | 003EH | Mechanical Weakening Detection 2 (UL5) |
| 0015H | Option Communication Error (bUS) | 003FH | PLC Alarm (PA1) |
| 0016H | Serial Communication Transmission Error (CALL) | 0040H | PLC Alarm (PA2) |

C.9 MEMOBUS/Modbus Data Table

| Alarm Code | Fault Name | Alarm Code | Fault Name |
|------------|--|------------|--|
| 0017H | Motor Overload (oL1) | 0041H | Output Voltage Detection Fault (voF) |
| 0018H | Drive Overload (oL2) | 0042H | IGBT Maintenance Time (90%) (TrPC) |
| 001AH | Option Card External Fault (EF0) | 0043H | Soft Charge Bypass Relay Maintenance Time (LT-3) |
| 001BH | Motor Switch command input during run (rUn) | 0044H | IGBT Maintenance Time (50%) (LT-4) |
| 001DH | Serial Communication Transmission Error (CALL) | 0045H | Braking Transistor Overload (boL) |
| 001EH | Undertorque Detection 1 (UL3) | 0049H | DriveWorksEZ Alarm (dWAL) |
| 001FH | Undertorque Detection 2 (UL4) | | |

C.10 Enter Command

When writing parameters to the drive from the PLC using MEMOBUS/Modbus communication, parameter H5-11 determines if an Enter command must be issued to enable these parameters or not. This section describes the types of Enter commands and how they work.

◆ Enter Command Types

The drive supports two types of Enter commands as shown in the table below. An Enter command is enabled by writing 0 to register number 0900H or 0910H. These registers can only be written to. An error will occur if the user attempts to read from these registers.

Table C.6 Enter Command Types

| Register No. | Description |
|--------------|---|
| 0900H | Writes data into the EEPROM (non-volatile memory) of the drive and enables the data in RAM at the same time. Parameter changes remain even if the power supply is cycled. |
| 0910H | Writes data in the RAM only. Parameter changes are lost when the drive is shut off. |

Note: Because the EEPROM can be written to a maximum of 100,000 times, refrain from writing to the EEPROM too often. The Enter command registers are write-only. Consequently, if these registers are read, then the register address will be invalid (Error code: 02H). An Enter command is not required if reference or broadcast data are sent to the drive.

◆ Enter Command Settings when Upgrading the Drive

When replacing earlier Yaskawa drive models with the A1000 and keeping the MEMOBUS/Modbus communications settings, parameter H5-11 needs to be set in accordance with how the Enter command was set up in the older drive. H5-11 determines if an Enter command is needed or not in order to activate parameter changes in the drive.

- If upgrading from a G7 or F7 series drive to an A1000, set parameter H5-11 to 0.
- If upgrading from a V7 series drive to an A1000, set parameter H5-11 to 1.

■ H5-11 and the Enter Command

| H5-11 Settings | H5-11 = 0 | H5-11 = 1 |
|---|--|--|
| Drive being replaced | G7, F7 | V7 |
| How parameter settings are enabled | When the Enter command is received from the master. | As soon as the value is changed. |
| Upper/lower limit check | Upper/lower limit check is performed, taking the settings of related parameters into account. | Checks only the upper/lower limits of the parameters that were changed. |
| Default value of related parameters | Not affected. The settings of related parameters remain unchanged. They must be changed manually if needed. | Default settings of related parameters are changed automatically. |
| Error handling when setting multiple parameters | Data is accepted even if one setting is invalid. The invalid setting will be discarded. No error message occurs. | Error occurs if only one setting is invalid. All data that was sent are discarded. |

C.11 Communication Errors

◆ MEMOBUS/Modbus Error Codes

A list of MEMOBUS/Modbus errors appears below.

When an error occurs, remove whatever caused the error and restart communications.

| Error Code | Error Name |
|------------|--|
| | Cause |
| 01H | Function Code Error |
| | <ul style="list-style-type: none"> Attempted to set a function code from a PLC other than 03H, 08H, and 10H. |
| 02H | Register Number Error |
| | <ul style="list-style-type: none"> A register number specified in the command message does not exist. Attempted to send a broadcast message using other register numbers than 0001H or 0002H. |
| 03H | Bit Count Error |
| | <ul style="list-style-type: none"> Read data or write data is greater than 16 bits. Invalid command message quantity. In a write message, the "Number of Data Items" contained within the message does not equal twice the amount of data words (i.e., the total of Data 1+ Data 2, etc.). |
| 21H | Data Setting Error |
| | <ul style="list-style-type: none"> Control data or parameter write data is outside the allowable setting range. Attempted to write a contradictory parameter setting. |
| 22H | Write Mode Error |
| | <ul style="list-style-type: none"> During run, the user attempted to write a parameter that cannot be written to during run. During an EEPROM memory data error (CPF06), the master attempted to write to a parameter other than A1-00 to A1-05, E1-03, or o2-04. Attempted to write to read-only data. |
| 23H | DC Bus Undervoltage Write Error |
| | <ul style="list-style-type: none"> During an undervoltage situation, the master attempted to write to parameters that cannot be written to during undervoltage. |
| 24H | Write Error During Parameter Process |
| | <ul style="list-style-type: none"> Master attempted writing to the drive while the drive was processing parameter data. |

◆ Slave Not Responding

In the following situations, the slave drive will ignore the command message sent from the master, and not send a response message:

- When a communications error (overrun, framing, parity, or CRC-16) is detected in the command message.
- When the slave address in the command message and the slave address in the drive do not match (remember to set the slave address for the drive using H5-01).
- When the gap between two blocks (8 bit) of a message exceeds 24 bits.
- When the command message data length is invalid.

Note: If the slave address specified in the command message is 00H, all slaves execute the write function, but do not return response messages to the master.

C.12 Self-Diagnostics

The drive has a built-in self-diagnosing function of the serial communication interface circuits. To perform the self-diagnosis function, use the following procedure.

DANGER! Electrical Shock Hazard. Do not connect or disconnect wiring while the power is on. Failure to comply will result in death or serious injury. Before servicing, disconnect all power to the equipment. The internal capacitor remains charged even after the power supply is turned off. The charge indicator LED will extinguish when the DC bus voltage is below 50 Vdc. To prevent electric shock, wait at least one minute after all indicators are OFF and measure the DC bus voltage level to confirm safe level.

1. Turn on the power to the drive.
2. Note the present terminal S6 function selection setting (H1-06) and set it for the communications test mode (H1-06 = 67).
3. Turn off the power to the drive.

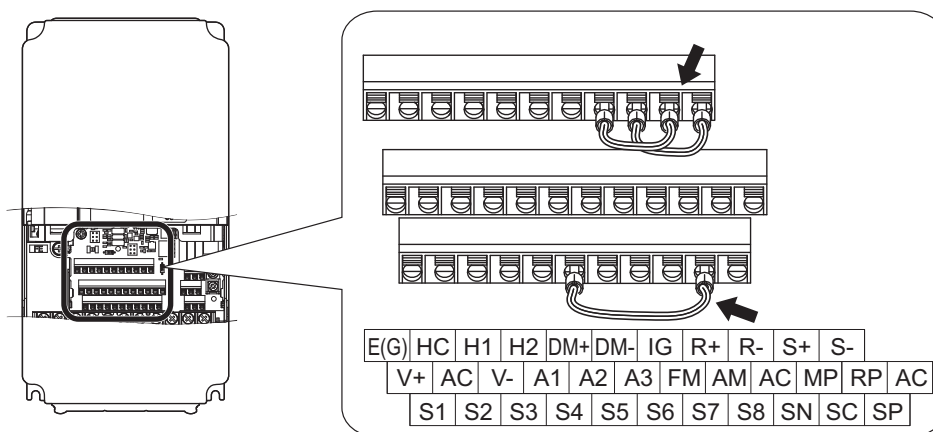


Figure C.8 Terminal Connections for Communication Self-Diagnostics

4. With the power off, wire the drive as shown in the following diagram, connecting terminals R+ and S+, R- and S-, and S6 and SC.
5. Set jumper S3 to source mode (internal power supply).
6. Turn the power to the drive back on.
7. During normal operation, the drive will display *PRSS*. This indicates that the communications test mode is operating normally.
When a fault occurs, the drive will display *CE* on the keypad display.
8. Turn off the power supply.
9. Remove the wire jumpers from terminal R+, R-, S+, S-, and S6-SC. Set back jumper S3 to its original position. Set terminal S6 to its original function.
10. Return to normal operation.



Appendix: D

Standards Compliance

This appendix explains the guidelines and criteria for maintaining CE and UL standards.

| | |
|--|------------|
| D.1 SECTION SAFETY | 508 |
| D.2 EUROPEAN STANDARDS | 510 |
| D.3 UL STANDARDS | 515 |
| D.4 SAFE DISABLE INPUT FUNCTION | 518 |

D.1 Section Safety

DANGER

Electrical Shock Hazard

Do not connect or disconnect wiring while the power is on.

Failure to comply will result in death or serious injury.

WARNING

Electrical Shock Hazard

Do not operate equipment with covers removed.

Failure to comply could result in death or serious injury.

The diagrams in this section may show drives without covers or safety shields to show details. Be sure to reinstall covers or shields before operating the drives and run the drives according to the instructions described in this manual.

Always ground the motor-side grounding terminal.

Improper equipment grounding could result in death or serious injury by contacting the motor case.

Do not touch any terminals before the capacitors have fully discharged.

Failure to comply could result in death or serious injury.

Before wiring terminals, disconnect all power to the equipment. The internal capacitor remains charged even after the power supply is turned off. After shutting off the power, wait for at least the amount of time specified on the drive before touching any components.

Do not allow unqualified personnel to perform work on the drive.

Failure to comply could result in death or serious injury.

Installation, maintenance, inspection, and servicing must be performed only by authorized personnel familiar with installation, adjustment and maintenance of AC drives.

Do not perform work on the drive while wearing loose clothing, jewelry or without eye protection.

Failure to comply could result in death or serious injury.

Remove all metal objects such as watches and rings, secure loose clothing, and wear eye protection before beginning work on the drive.

Do not remove covers or touch circuit boards while the power is on.

Failure to comply could result in death or serious injury.

⚠ WARNING**Fire Hazard**

Tighten all terminal screws to the specified tightening torque.

Loose electrical connections could result in death or serious injury by fire due to overheating of electrical connections.

Do not use an improper voltage source.

Failure to comply could result in death or serious injury by fire.

Verify that the rated voltage of the drive matches the voltage of the incoming power supply before applying power.

Do not use improper combustible materials.

Failure to comply could result in death or serious injury by fire.

Attach the drive to metal or other noncombustible material.

NOTICE

Observe proper electrostatic discharge procedures (ESD) when handling the drive and circuit boards.

Failure to comply may result in ESD damage to the drive circuitry.

Never connect or disconnect the motor from the drive while the drive is outputting voltage.

Improper equipment sequencing could result in damage to the drive.

Do not use unshielded wire for control wiring.

Failure to comply may cause electrical interference resulting in poor system performance. Use shielded twisted-pair wires and ground the shield to the ground terminal of the drive.

Do not allow unqualified personnel to use the product.

Failure to comply could result in damage to the drive or braking circuit.

Carefully review instruction manual TOBPC72060000 when connecting a braking option to the drive.

Do not modify the drive circuitry.

Failure to comply could result in damage to the drive and will void warranty.

Yaskawa is not responsible for modification of the product made by the user. This product must not be modified.

Check all the wiring to ensure that all connections are correct after installing the drive and connecting other devices.

Failure to comply could result in damage to the drive.

D.2 European Standards



Figure D.1 CE Mark

The CE mark indicates compliance with European safety and environmental regulations. It is required for engaging in business and commerce in Europe.

European standards include the Machinery Directive for machine manufacturers, the Low Voltage Directive for electronics manufacturers, and the EMC guidelines for controlling noise.

This drive displays the CE mark based on the EMC guidelines and the Low Voltage Directive.

- **Low Voltage Directive:** 2006/95/EC
- **EMC Guidelines:** 2004/108/EC

Devices used in combination with this drive must also be CE certified and display the CE mark. When using drives displaying the CE mark in combination with other devices, it is ultimately the responsibility of the user to ensure compliance with CE standards. After setting up the device, verify that conditions meet European standards.

◆ CE Low Voltage Directive Compliance

This drive has been tested according to European standard IEC61800-5-1, and it fully complies with the Low Voltage Directive.

To comply with the Low Voltage Directive, be sure to meet the following conditions when combining this drive with other devices:

■ Area of Use

Do not use drives in areas with pollution higher than severity 2 and overvoltage category 3 in accordance with IEC664.

■ Installing Fuses on the Input Side

Always install fuses at the drive input side. Refer to [Installing Input Fuses on page 385](#) for selecting fuses.

■ Guarding Against Harmful Materials

When installing IP00 enclosure drives, use an enclosure that prevents foreign material from entering the drive from above or below.

■ Grounding

The drive is designed to be used in T-N (grounded neutral point) networks. If installing the drive in other types of grounded systems, contact your Yaskawa representative for instructions.

◆ EMC Guidelines Compliance

This drive is tested according to European standards EN61800-3: 2004, and complies with the EMC guidelines.

■ EMC Filter Installation

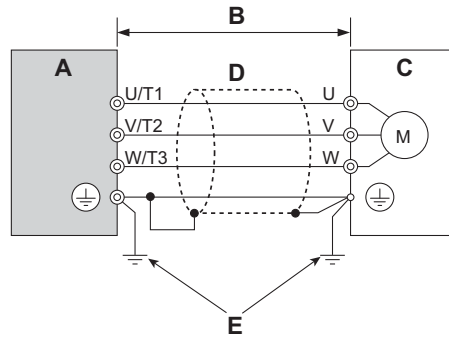
The following conditions must be met to ensure continued compliance with guidelines. [Refer to EMC Filters on page 513](#) for EMC filter selection.

Installation Method

Verify the following installation conditions to ensure that other devices and machinery used in combination with this drive also comply with EMC guidelines.

1. Install an EMC noise filter to the input side specified by Yaskawa for compliance with European standards.
2. Place the drive and EMC noise filter in the same enclosure.
3. Use braided shield cable for the drive and motor wiring, or run the wiring through a metal conduit.

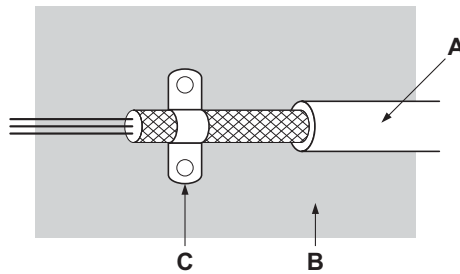
4. Keep wiring as short as possible. Ground the shield on both the drive side and the motor side.



- A – Drive
 B – 10 m max cable length between drive and motor
 C – Motor
 D – Metal conduit
 E – Ground wire should be as short as possible.

Figure D.2 Installation Method

5. Ground the largest possible surface area of the shield to the metal conduit when using braided shield cable. Yaskawa recommends using a cable clamp.



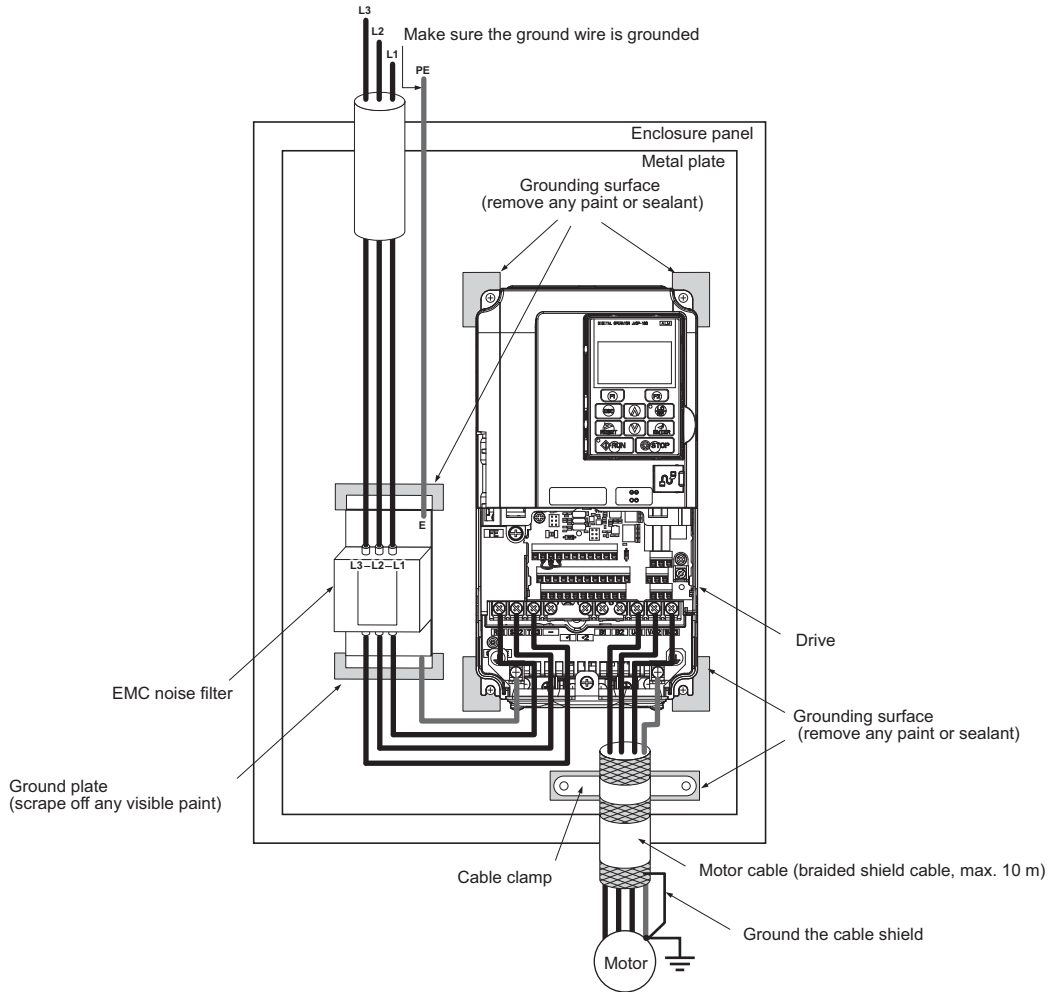
- A – Braided shield cable
 B – Metal panel
 C – Cable clamp (conductive)

Figure D.3 Ground Area

6. Connect a DC reactor to minimize harmonic distortion. See page 514.

D.2 European Standards

Three-Phase 200 V / 400 V Class



- | | |
|--|--|
| A – Ground the cable shield | G – Motor |
| B – Enclosure panel | H – Cable clamp |
| C – Metal plate | I – Ground plate (scrape off any visible paint) |
| D – Grounding surface (remove any paint or sealant) | J – EMC noise filter |
| E – Drive | K – Make sure the ground wire is grounded |
| F – Motor cable (braided shield cable, max. 10 m) | |

Figure D.4 EMC Filter and Drive Installation for CE Compliance (Three-Phase 200 V / 400 V Class)

■ EMC Filters

The drive should be installed with the EMC filters listed below in order to comply with the EN61800-3 requirements.

Note: If the Safe Disable function of the drive is part of the safety concept of a machine or installation and used for a safe stop according to EN60204-1, stop category 0, use only filters manufactured by Schaffner as listed below.

Table D.1 EN61800-3 Filters

| Model CIMR-A□ | Filter Data (Manufacturer: Schaffner) | | | | | |
|--------------------------------|---------------------------------------|-------------------|-------------|-----------------------------|-----------|--------|
| | Type | Rated Current (A) | Weight (kg) | Dimensions [W x D x H] (mm) | Y x X | Figure |
| Three-Phase 200 V Class | | | | | | |
| 2A0004 | FS5972-10-07 | 10 | 1.2 | 141 × 46 × 330 | 115 × 313 | 1 |
| 2A0006 | | | | | | |
| 2A0010 | FS5972-18-07 | 18 | 1.3 | 141 × 46 × 330 | 115 × 313 | |
| 2A0012 | | | | | | |
| 2A0021 | FS5972-35-07 | 35 | 2.1 | 206 × 50 × 355 | 175 × 336 | |
| 2A0030 | | | | | | |
| 2A0040 | FS5972-60-07 | 60 | 4.0 | 236 × 65 × 408 | 205 × 390 | |
| 2A0056 | | | | | | |
| 2A0069 | FS5972-100-35 | 100 | 3.4 | 90 × 150 × 330 | 65 × 255 | 2 |
| 2A0081 | | | | | | |
| 2A0110 | FS5972-170-40 | 170 | 6.0 | 120 × 170 × 451 | 102 × 365 | |
| 2A0138 | | | | | | |
| 2A0169 | FS5972-250-37 | 250 | 11.7 | 130 × 240 × 610 | 90 × 498 | |
| 2A0211 | | | | | | |
| 2A0250 | FS5972-410-99 | 410 | 10.5 | 260 × 115 × 386 | 235 × 120 | 3 |
| 2A0312 | | | | | | |
| 2A0360 | FS5972-600-99 | 600 | 11 | 260 × 135 × 386 | 235 × 120 | |
| 2A0415 | | | | | | |
| Three-Phase 400 V Class | | | | | | |
| 4A0002 | FS5972-10-07 | 10 | 1.1 | 141 × 46 × 330 | 115 × 313 | 1 |
| 4A0004 | | | | | | |
| 4A0005 | FS5972-18-07 | 18 | 1.7 | 141 × 46 × 330 | 115 × 313 | |
| 4A0007 | | | | | | |
| 4A0009 | FS5972-35-07 | 35 | 2.1 | 206 × 50 × 355 | 175 × 336 | |
| 4A0011 | | | | | | |
| 4A0018 | FS5972-60-07 | 60 | 4 | 236 × 65 × 408 | 202 × 390 | |
| 4A0023 | | | | | | |
| 4A0031 | FS5972-100-35 | 100 | 3.4 | 90 × 150 × 330 | 65 × 255 | 2 |
| 4A0038 | | | | | | |
| 4A0044 | FS5972-170-35 | 170 | 4.7 | 120 × 170 × 451 | 102 × 365 | |
| 4A0058 | | | | | | |
| 4A0072 | FS5972-250-37 | 250 | 11.7 | 130 × 240 × 610 | 90 × 498 | |
| 4A0088 | | | | | | |
| 4A0103 | FS5972-410-99 | 400 | 10.5 | 260 × 115 × 386 | 235 × 120 | 3 |
| 4A0139 | | | | | | |
| 4A0165 | FS5972-600-99 | 600 | 11 | 260 × 135 × 386 | 235 × 120 | |
| 4A0208 | | | | | | |
| 4A0250 | FS5972-800-99 | 800 | 31.5 | 300 × 160 × 716 | 275 × 210 | |
| 4A0296 | | | | | | |
| 4A0362 | FS5972-600-99 | 600 | 11 | 260 × 135 × 386 | 235 × 120 | |
| 4A0414 | | | | | | |
| 4A0515 | FS5972-600-99 | 600 | 11 | 260 × 135 × 386 | 235 × 120 | |
| 4A0675 | | | | | | |

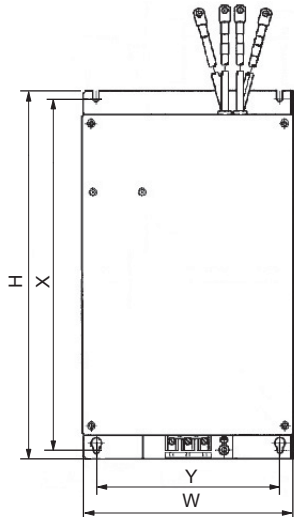


Figure 1

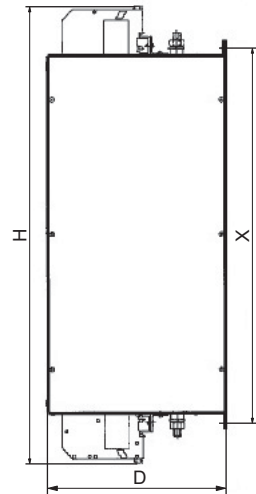


Figure 2

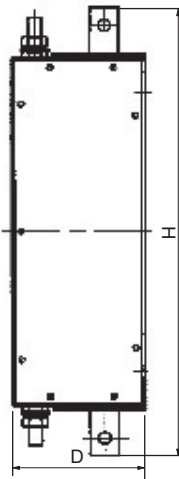
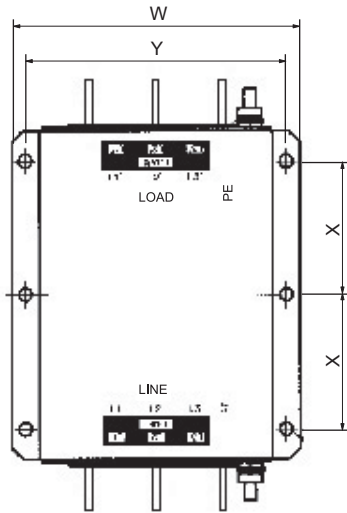


Figure 3

Figure D.5 EMC Filter Dimensions

■ DC Reactors for EN 61000-3-2 Compliance

Table D.2 DC Reactors for Harmonics Reduction

| Drive Model CIMR-A□ | DC Reactor | |
|-------------------------|------------|----------------|
| | Model | Rating |
| 200V Three-Phase Units | | |
| 2A0004 | UZDA-B | 5.4 A 8 mH |
| 2A0006 | | |
| 400 V Three-Phase Units | | |
| 4A0002 | UZDA-B | 3.2 A 28 mH |
| 4A0004 | | |

Note: Contact Yaskawa for information about DC reactors for other models.

D.3 UL Standards

The UL/cUL mark applies to products in the United States and Canada. It indicates that UL has performed product testing and evaluation, and determined that their stringent standards for product safety have been met. For a product to receive UL certification, all components inside that product must also receive UL certification.



Figure D.6 UL/cUL Mark

◆ UL Standards Compliance

This drive is tested in accordance with UL standard UL508C and complies with UL requirements. The conditions described below must be met to maintain compliance when using this drive in combination with other equipment:

■ Installation Area

Do not install the drive to an area greater than pollution severity 2 (UL standard).

■ Main Circuit Terminal Wiring

Cable Connectors

Yaskawa recommends using UL-listed copper wires (rated at 75°C), and closed-loop connectors or CSA-certified ring connectors sized for the selected wire gauge to maintain proper clearances when wiring the drive. Use the correct crimp tool to install connectors per manufacturer recommendation. [Table D.3](#) lists a suitable closed-loop connector manufactured by JST Corporation.

Table D.3 Closed-Loop Crimp Terminal Size (JIS C 2805) (same for 200 V and 400 V)

| Wire Gauge mm ² (AWG) | Terminal Screws | Crimp Terminal Model Numbers | Tightening Torque N·m (lb·in.) |
|-------------------------------------|-----------------|------------------------------|-----------------------------------|
| 0.75 (18) | M3.5 | R1.25-3.5 | 0.8 to 1.0 (7.1 to 8.9) |
| | M4 | R1.25-4 | 1.2 to 1.5 (10.6 to 13.3) |
| 1.25 (16) | M3.5 | R1.25-3.5 | 0.8 to 1.0 (7.1 to 8.9) |
| | M4 | R1.25-4 | 1.2 to 1.5 (10.6 to 13.3) |
| 2 (14) | M3.5 | R2-3.5 | 0.8 to 1.0 (7.1 to 8.9) |
| | M4 | R2-4 | 1.2 to 1.5 (10.6 to 13.3) |
| | M5 | R2-5 | 2.0 to 2.5 (17.7 to 22.1) |
| | M6 | R2-6 | 4.0 to 5.0 (35.4 to 44.3) |
| 3.5/5.5 (12/10) | M4 | R5.5-4 | 1.2 to 1.5 (10.6 to 13.3) |
| | M5 | R5.5-5 | 2.0 to 2.5 (17.7 to 22.1) |
| | M6 | R5.5-6 | 4.0 to 5.0 (35.4 to 44.3) |
| | M8 | R5.5-8 | 9.0 to 11.0 (79.7 to 97.4) |
| 8 (8) | M4 | 8-4 | 1.2 to 1.5 (10.6 to 13.3) |
| | M5 | R8-5 | 2.0 to 2.5 (17.7 to 22.1) |
| | M6 | R8-6 | 4.0 to 5.0 (35.4 to 44.3) |
| | M8 | R8-8 | 9.0 to 11.0 (79.7 to 97.4) |
| 14 (6) | M4 | 14-4 <I> | 1.2 to 1.5 (10.6 to 13.3) |
| | M5 | R14-5 | 2.0 to 2.5 (17.7 to 22.1) |
| | M6 | R14-6 | 4.0 to 5.0 (35.4 to 44.3) |
| | M8 | R14-8 | 9.0 to 11.0 (79.7 to 97.4) |
| 22 (4) | M10 | R22-10 | 18.0 to 23.0 (159.0 to 204.0) |
| | M12 | R22-12 | 32.0 to 40.0 (284.0 to 354.0) |
| 30/38 (3/2) | M12 | R38-12 | 32.0 to 40.0 (284.0 to 354.0) |
| 50/60 (1/ 1/0) | M12 | R60-12 | 32.0 to 40.0 (284.0 to 354.0) |
| 80 (2/0) | M12 | R80-12 | 32.0 to 40.0 (284.0 to 354.0) |
| 100 (4/0) | M12 | R100-12 | 32.0 to 40.0 (284.0 to 354.0) |
| 150 (250/300MCM) | M10 | 150-10 | 18.0 to 23.0 (159.0 to 204.0) |
| | M12 | 150-12 | 32.0 to 40.0 (284.0 to 354.0) |
| 200 (400MCM) | M10 | 200-10 | 18.0 to 23.0 (159.0 to 204.0) |
| | M12 | R200-12 | 32.0 to 40.0 (284.0 to 354.0) |
| 325 (600/650MCM) | M12 | 325-12 | 32.0 to 40.0 (284.0 to 354.0) |

D.3 UL Standards

<1> Use the specified crimp terminals (Model 14.NK4) when using CIMR-A□2A0030, 2A0040, 4A0018, and 4A0023 with 14 mm² (6 AWG).

Note: Use crimp insulated terminals or insulated shrink tubing for wiring connections. Wires should have a continuous maximum allowable temperature of 75°C 600 Vac UL-approved vinyl-sheathed insulation.

Input Fuse Installation

Always install fuses at the drive input side. Refer to *Installing Input Fuses on page 385* for selecting fuses.

■ Low Voltage Wiring for Control Circuit Terminals

Wire low voltage wires with NEC Class 1 circuit conductors. Refer to national state or local codes for wiring. Use a class 2 (UL listed) power supply for the control circuit terminal when not using the drives internal control power supply.

Table D.4 Control Circuit Terminal Power Supply

| Input / Output | Terminal Signal | Power Supply Specifications |
|-------------------------------|------------------------------------|---|
| Multi-function digital inputs | S1, S2, S3, S4, S5, S6, S7, S8, SC | Use the internal control power supply of the drive or an external class 2 power supply. |
| Multi-function analog inputs | +V, -V, A1, A2, A3, AC | |
| Pulse train input | RP, AC | |
| Pulse train output | MP, AC | |
| Safe disable inputs | H1, H2, HC | Requires class 2 power supply |
| Safe disable outputs | DM+, DM- | |

■ Drive Short-Circuit Rating

This drive has undergone the UL short-circuit test, which certifies that during a short circuit in the power supply, the current flow will not rise above 100,000 amps at 240 V for 200 V class drives and 480 V for 400 V class drives.

- The MCCB, breaker protection, and fuse ratings shall be equal to or greater than the short-circuit tolerance of the power supply being used.
- Suitable for use on a circuit capable of delivering not more than 100,000 RMS symmetrical amperes for 240 V in 200 V class drives (up to 480 V for 400 V class drives) motor overload protection.

◆ Drive Motor Overload Protection

Set parameter E2-01 (motor rated current) to the appropriate value to enable motor overload protection. The internal motor overload protection is UL listed and in accordance with the NEC and CEC.

■ E2-01 Motor Rated Current

Setting Range: Model Dependent

Default Setting: Model Dependent

Parameter E2-01 (motor rated current) protects the motor if parameter L1-01 is not set to 0 (default is 1, enabling protection for standard induction motors).

If Auto-Tuning has been performed successfully, the motor data entered to T1-04 is automatically written into parameter E2-01. If Auto-Tuning has not been performed, manually enter the correct motor rated current to parameter E2-01.

■ L1-01 Motor Overload Protection Selection

The drive has an electronic overload protection function (oL1) based on time, output current, and output frequency, which protects the motor from overheating. The electronic thermal overload function is UL-recognized, so it does not require an external thermal relay for single motor operation.

This parameter selects the motor overload curve used according to the type of motor applied.

Table D.5 Overload Protection Settings

| Setting | Description | |
|---------|---|---|
| 0 | Disabled | Disabled the drive's internal motor overload protection. |
| 1 | Standard fan cooled motor (default) | Selects protection characteristics for a standard self cooled motor with limited cooling capabilities when running below the rated speed. The motor overload detection level (oL1) is automatically reduces when running below the motor rated speed. |
| 2 | Drive duty motor with a speed range of 1:10 | Selects protection characteristics for a motor with self-cooling capability within a speed range of 10:1. The motor overload detection level (oL1) is automatically reduced when running below 1/10 of the motor rated speed. |
| 3 | Vector motor with a speed range of 1:100 | Selects protection characteristics for a motor capable of cooling itself at any speed — including zero speed (externally cooled motor). The motor overload detection level (oL1) is constant over the entire speed range. |

| Setting | Description | |
|---------|---|---|
| 4 | Permanent Magnet motor with variable torque | Selects protection characteristics for a variable torque PM motor. The motor overload detection level (oL1) is automatically reduces when running below the motor rated speed. |
| 5 | Permanent Magnet motor with constant torque | Selects protection characteristics for a constant torque PM motor. The motor overload detection level (oL1) is constant over the whole speed range. |
| 6 | Standard fan cooled motor (50 Hz) | Selects protection characteristics for a standard self cooled motor with limited cooling capabilities when running below the rated speed. The motor overload detection level (oL1) is automatically reduces when running below the motor rated speed. |

When connecting the drive to more than one motor for simultaneous operation, disable the electronic overload protection (L1-01 = 0) and wire each motor with its own motor thermal overload relay.

Enable the motor overload protection (L1-01 = 1 to 5) when connecting the drive to a single motor, unless another motor overload preventing device is installed. The drive electronic thermal overload function causes an oL1 fault, which shuts off the output of the drive and prevents additional overheating of the motor. The motor temperature is continually calculated as long as the drive is powered up.

■ L1-02 Motor Overload Protection Time

Setting Range: 0.1 to 5.0 min

Factory Default: 1.0 min

Parameter L1-02 determines how long the motor is allowed to operate before the oL1 fault occurs when the drive is running at 60 Hz and at 150% of the full load amp rating (E2-01) of the motor. Adjusting the value of L1-02 can shift the set of oL1 curves up the y axis of the diagram below, but will not change the shape of the curves.

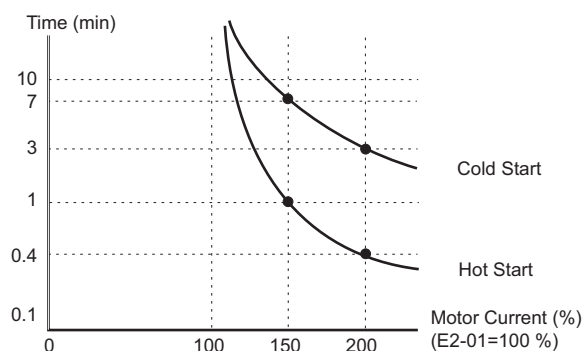


Figure D.7 Motor Overload Protection Time

D.4 Safe Disable Input Function

◆ Specifications

| | | |
|---------------------|-----------------------------|---|
| Inputs / Outputs | | Two Safe Disable inputs and 1 EDM output according to EN61800-5-1, EN954-1/ISO13849 Cat. 3, IEC/EN61508 SIL2, Insulation coordination: class 1. |
| Operation Time | | Time from input open to drive output stop is less than 1 ms. |
| Failure Probability | Demand Rate Low | PFD = 5.15E-5 |
| | Demand Rate High/Continuous | PFH = 1.2E-9 |
| Performance Level | | The Safe Disable Inputs satisfy all requirements of Performance Level (PL) d according to ISO13849-1. (Note: DC from EDM considered.) |

◆ Precautions

DANGER! *Improper use of the Safe Disable function can result in serious injury or even death. Make sure the whole system or machinery that the Safe Disable function is used in complies with safety requirements. When implementing the Safe Disable function into the safety system of a machine, a thorough risk assessment for the whole system has to be carried out to assure it complies with relevant safety norms (e.g., EN954/ISO13849, IEC61508, EN/IEC62061,...).*

DANGER! *When using a PM motor, even if the drive output is shut off by the Safe Disable function, a break down of two output transistors can cause current to flow through the motor winding, resulting in a rotor movement for a maximum angle of 180 degree (electrically). Make sure such a situation would have no effect on the safety of the application when using the Safe Disable function. This is not a concern with induction motors.*

DANGER! *The Safe Disable function can switch off the drive output, but does not cut the drive power supply and cannot electrically isolate the drive output from the input. Always shut off the drive power supply when performing maintenance or installations on the drive input side as well as the drive output side.*

DANGER! *When using the Safe Disable inputs, make sure to remove the wire links between terminals H1, H2, and HC that were installed prior to shipment. Failing to do so will keep the Safe Disable circuit from operating properly and can cause injury or even death.*

DANGER! *All safety features (including Safe Disable) should be inspected daily and periodically. If the system is not operating normally, there is a risk of serious personal injury.*

DANGER! *Only a qualified technician with a thorough understanding of the drive, the instruction manual, and safety standards should be permitted to wire, inspect, and maintain the Safe Disable input.*

NOTICE: *From the moment terminal inputs H1 and H2 have opened, it takes up to 1 ms for drive output to shut off completely. The sequence set up to trigger terminals H1 and H2 should make sure that both terminals remain open for at least 1 ms in order to properly interrupt drive output.*

NOTICE: *The Safe Disable Monitor (output terminals DM+ and DM-) should not be used for any other purpose than to monitor the Safe Disable status or to discover a malfunction in the Safe Disable inputs. The monitor output is not considered a safe output.*

When utilizing the Safe Disable function, use only the EMC filters recommended in [.EMC Filters on page 513](#)

◆ Using the Safe Disable Function

The Safe Disable inputs provide a stop function in compliance with Stop Category 0 as defined in the EN60204-1 (uncontrolled stop by power removal), and “Safe Torque Off” as defined in the IEC61800-5-2. Safe Disable inputs have been designed to meet the requirements of the EN954-1/ISO13849-1, Category 3 and EN61508, SIL2.

A Safe Disable Status Monitor for error detection in the safety circuit is also provided.

■ Safe Disable Circuit

The Safe Disable circuit consists of two independent input channels that can block the output transistors. In addition, it provides a monitoring channel that indicates the status of those two input channels.

The input can either use the drive internal power supply or an external power supply. Both modes, Sink mode and Source mode are supported. The mode that is selected for the digital input terminals S1 to S8 by switch S3 will also be used for the Safe Disable inputs. Refer to [Sinking/Sourcing Mode Selection for Safe Disable Inputs on page 77](#).

The Safe Disable Monitor uses a single channel photocoupler output. Refer to [Output Terminals on page 73](#) for signal specifications when using this output.

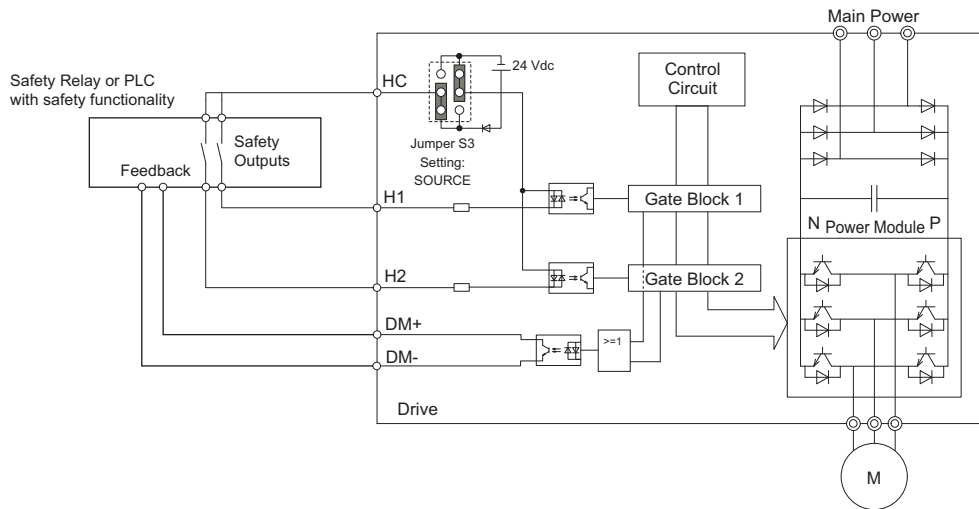


Figure D.8 Safe Disable Function Wiring Example (Source Mode)

■ Disabling and Enabling the Drive Output (“Safe Torque Off”)

Figure D.9 illustrates the Safe Disable input operation.

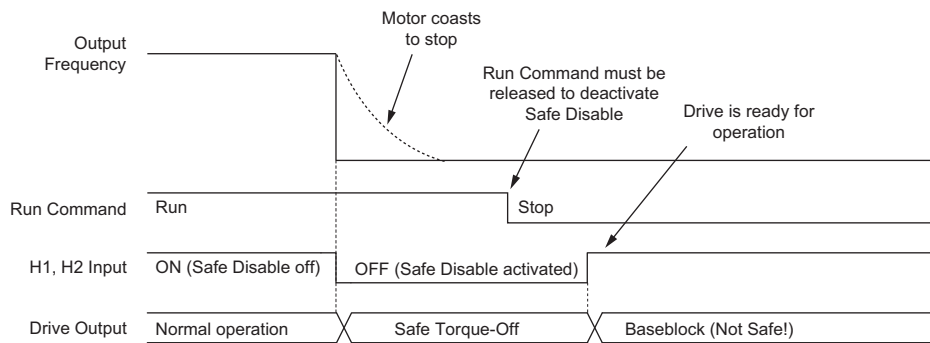


Figure D.9 Safe Disable Operation

Entering the “Safe Torque Off” State

Whenever either one Safe Disable input or both inputs open, the motor torque is shut off by switching off the drive output. If the motor was running before the Safe Disable inputs opened, then the motor will coast to stop, regardless of the stopping method set in parameter b1-03.

Notice that the “Safe Torque Off” state can only be achieved using the Safe Disable function. Removing the Run command stops the drive and shuts the output off (baseblock), but does not create a “Safe Torque Off” status.

Note: To avoid an uncontrolled stop during normal operation, make sure that the Safe Disable inputs are opened first when the motor has completely stopped.

Returning to Normal Operation after Safe Disable

The Safe Disable function can only be deactivated when a Run command is not active.

When Safe Disable was activated during stop, normal operation can be resumed by simply turning on both Safe Disable inputs (i.e., by deactivating “Safe Torque Off”).

When Safe Disable was activated during run, first the Run command has to be removed and then the Safe Disable inputs have to be turned on before the drive can be restarted.

D.4 Safe Disable Input Function

■ Safe Disable Monitor Output Function and Digital Operator Display

[Table D.6](#) explains the drive output and Safe Disable monitor state depending on the Safe Disable inputs.

Table D.6 Safety Input and EDM Terminal Status

| Safe Disable Input Status | | Safe Disable Status Monitor, DM+ - DM- | Drive Output Status | Digital Operator Display |
|---------------------------|----------------|---|------------------------------------|--------------------------|
| Input 1, H1-HC | Input 2, H2-HC | | | |
| OFF | OFF | OFF | Safely disabled, "Safe Torque Off" | Hbb (flashes) |
| ON | OFF | ON | Safely disabled, "Safe Torque Off" | HbbF (flashes) |
| OFF | ON | ON | Safely disabled, "Safe Torque Off" | HbbF (flashes) |
| ON | ON | ON | Baseblock, ready for operation | Normal display |

Safe Disable Status Monitor

With the Safe Disable monitor output (terminals DM+ and DM-), the drive provides a safety status feedback signal. This signal should be read by the device that controls the Safe Disable inputs (PLC or a safety relay) in order to prohibit leaving the "Safe Torque Off" status in case the safety circuit malfunctions. Refer to the instruction manual of the safety device for details on this function.

Digital Operator Display

When both Safe Disable inputs are open, "Hbb" will flash in the digital operator display.

Should only one of the Safe Disable channels be on while the other is off, "HbbF" will flash in the display to indicate that there is a problem in the safety circuit or in the drive. This display should not appear under normal conditions if the Safe Disable circuit is utilized properly. [Refer to Alarm Codes, Causes, and Possible Solutions on page 319](#) to resolve possible errors.



Appendix: E

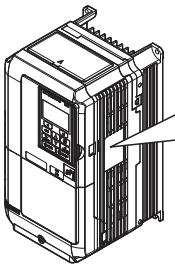
Quick Reference Sheet

This section provides tables to keep record of the drive specification, motor specification and drive settings. Fill in the data after commissioning the application and have them ready when contacting Yaskawa for technical assistance.

| | |
|---|------------|
| E.1 DRIVE AND MOTOR SPECIFICATIONS | 522 |
| E.2 BASIC PARAMETER SETTINGS | 523 |
| E.3 USER SETTING TABLE | 524 |

E.1 Drive and Motor Specifications

◆ Drive Specifications



Normal Duty Amps / Heavy Duty Amps

AC drive model — MODEL : CIMR-AC2A0021FAA UL LISTED

Input specifications — INPUT : AC3PH 200-240V 50/60Hz 24A/18.9A IND. CONTEQ. 7J48 B

Output specifications — OUTPUT : AC3PH 0-240V 0-400Hz 21A/17.5A PRG : 1010

Lot number — O/N : _____ CE

Serial number — S/N : _____ TUV SUD

FILE NO : E131457 IP20 PASS

TYPE 1 ENCLOSURE RoHS

YASKAWA ELECTRIC CORPORATION MADE IN JAPAN

Software version

Enclosure type

| Items | Value |
|---|--------|
| Model | CIMR-A |
| Serial Number | |
| Software Version (PRG) | |
| Options used (Option cards, braking transistor, etc.) | |

◆ Motor Specifications

■ Induction Motor

| Items | Value | Items | Value |
|---------------------|-------|---------------------------|-------|
| Manufacturer | | Motor Rated Current | A |
| Model | | Motor Base Frequency | Hz |
| Motor Rated Power | kW | Number of Motor Poles | |
| Motor Rated Voltage | V | Motor Rated Speed (T1-07) | r/min |

■ Permanent Magnet Motor

| Items | Value | Items | Value |
|------------------------|-------|----------------------------|------------|
| Manufacturer | | Induction Voltage Constant | mVs/rad |
| Model | | Induction Voltage Constant | mV/(r/min) |
| PM Motor Rated Power | kW | PM Motor Rated Current | A |
| PM Motor Rated Voltage | V | PM Motor Base Frequency | Hz |
| d-Axis Inductance | mH | Number of PM Motor Poles | |
| q-Axis Inductance | mH | PM Motor Base Speed | r/min |

■ Motor Speed Encoder (if used)

| Items | Value | Items | Value |
|--------------|-------|------------|-------|
| Manufacturer | | Resolution | |
| Interface | | | |

E.2 Basic Parameter Settings

Use these tables to keep record of the most important parameters. Have these data available when contacting the technical support.

◆ Basic Setup

| Item | Setting Value | Memo | Item | Setting Value | Memo |
|-----------------------------|---------------|------|----------------------------|---------------|------|
| Control Mode | A1-02 = | | Frequency Reference Source | b1-01 = | |
| Normal/Heavy Duty Selection | C6-01 = | | Run Command Source | b1-02 = | |

◆ V/f Pattern Setup

| Item | Setting Value | Memo | Item | Setting Value | Memo |
|-----------------------|---------------|------|---------------------------|---------------|------|
| V/f Pattern Selection | E1-03 = | | Middle Output Frequency | E1-07 = | |
| Max. Output Frequency | E1-04 = | | Mid. Output Freq. Voltage | E1-08 = | |
| Maximum Voltage | E1-05 = | | Min. Output Frequency | E1-09 = | |
| Base Frequency | E1-06 = | | Min. Output Freq. Voltage | E1-10 = | |

◆ Motor Setup

| | Item | Setting Value | Memo | Item | Setting Value | Memo |
|-----------------|-------------------------|---------------|------|--------------------------|---------------|------|
| Induction Motor | Motor Rated Current | E2-01 = | | Number of Motor Poles | E2-04 = | |
| | Motor Rated Slip | E2-02 = | | Line-to-Line Resistance | E2-05 = | |
| | Motor No-Load Current | E2-03 = | | Motor Leakage Inductance | E2-06 = | |
| PM Motor | Motor Code Selection | E5-01 = | | Motor d-Axis Inductance | E5-06 = | |
| | Motor Rated Power | E5-02 = | | Motor q-Axis Inductance | E5-07 = | |
| | Motor Rated Current | E5-03 = | | Induction Volt. Const. 1 | E5-09 = | |
| | Number of Motor Poles | E5-04 = | | Encoder Z-pulse Offset | E5-11 = | |
| | Motor Stator Resistance | E5-05 = | | Induction Volt. Const. 2 | E5-24 = | |

◆ Multi-Function Digital Inputs

| Terminal | Input Used | Setting Value and Function Name | Memo | Terminal | Input Used | Setting Value and Function Name | Memo |
|----------|------------|---------------------------------|------|----------|------------|---------------------------------|------|
| S1 | | H1-01 = | | S5 | | H1-05 = | |
| S2 | | H1-02 = | | S6 | | H1-06 = | |
| S3 | | H1-03 = | | S7 | | H1-07 = | |
| S4 | | H1-04 = | | S8 | | H1-08 = | |

◆ Pulse Train Input/Analog Inputs

| Terminal | Input Used | Setting Value and Function Name | Memo |
|----------|------------|---------------------------------|------|
| RP | | H6-01 = | |
| A1 | | H3-02 = | |
| A2 | | H3-10 = | |
| A3 | | H3-06 = | |

◆ Multi-Function Digital Outputs

| Terminal | Output Used | Setting Value and Function Name | Memo |
|----------|-------------|---------------------------------|------|
| M1-M2 | | H2-01 = | |
| M3-M4 | | H2-02 = | |
| M5-M6 | | H2-03 = | |

◆ Monitor Outputs

| Terminal | Output Used | Setting Value and Function Name | Memo |
|----------|-------------|---------------------------------|------|
| FM | | H4-01 = | |
| AM | | H4-04 = | |
| MP | | H6-06 = | |

E.3 User Setting Table

Use the Verify Menu to see which parameters have been changed from their original default settings.

- The diamond below the parameter number indicates that the parameter setting can be changed during run.
- Parameter names in boldface type are included in the Setup Group of parameters.

| No. | Name | User Setting |
|----------------|---|--------------|
| A1-00◆ | Language Selection | |
| A1-01◆ | Access Level Selection | |
| A1-02 | Control Method Selection | |
| A1-03 | Initialize Parameters | |
| A1-04 | Password | |
| A1-05 | Password Setting | |
| A1-06 | Application Preset | |
| A1-07 | DriveWorksEZ Function Selection | |
| A2-01 to A2-32 | User Parameters 1 to 32 | |
| A2-33 | User Parameter Automatic Selection | |
| b1-01 | Frequency Reference Selection 1 | |
| b1-02 | Run Command Selection 1 | |
| b1-03 | Stopping Method Selection | |
| b1-04 | Reverse Operation Selection | |
| b1-05 | Action Selection below Minimum Output Frequency | |
| b1-06 | Digital Input Reading | |
| b1-07 | LOCAL/REMOTE Run Selection | |
| b1-08 | Run Command Selection while in Programming Mode | |
| b1-14 | Phase Order Selection | |
| b1-15 | Frequency Reference Selection 2 | |
| b1-16 | Run Command Selection 2 | |
| b1-17 | Run Command at Power Up | |
| b2-01 | DC Injection Braking Start Frequency | |
| b2-02 | DC Injection Braking Current | |
| b2-03 | DC Injection Braking Time at Start | |
| b2-04 | DC Injection Braking Time at Stop | |
| b2-08 | Magnetic Flux Compensation Value | |
| b2-12 | Short Circuit Brake Time at Start | |
| b2-13 | Short Circuit Brake Time at Stop | |
| b2-18 | Short Circuit Braking Current | |
| b3-01 | Speed Search Selection at Start | |
| b3-02 | Speed Search Deactivation Current | |
| b3-03 | Speed Search Deceleration Time | |
| b3-04 | V/f Gain during Speed Search | |
| b3-05 | Speed Search Delay Time | |
| b3-06 | Output Current 1 during Speed Search | |
| b3-10 | Speed Search Detection Compensation Gain | |
| b3-14 | Bi-Directional Speed Search Selection | |
| b3-17 | Speed Search Restart Current Level | |
| b3-18 | Speed Search Restart Detection Time | |
| b3-19 | Number of Speed Search Restarts | |
| b3-24 | Speed Search Method Selection | |
| b3-25 | Speed Search Wait Time | |
| b4-01 | Timer Function On-Delay Time | |
| b4-02 | Timer Function Off-Delay Time | |
| b5-01 | PID Function Setting | |
| b5-02◆ | Proportional Gain Setting (P) | |
| b5-03◆ | Integral Time Setting (I) | |
| b5-04◆ | Integral Limit Setting | |
| b5-05◆ | Derivative Time (D) | |
| b5-06◆ | PID Output Limit | |
| b5-07◆ | PID Offset Adjustment | |
| b5-08◆ | PID Primary Delay Time Constant | |
| b5-09 | PID Output Level Selection | |
| b5-10 | PID Output Gain Setting | |

| No. | Name | User Setting |
|--------|---|--------------|
| b5-11 | PID Output Reverse Selection | |
| b5-12 | PID Feedback Loss Detection Selection | |
| b5-13 | PID Feedback Loss Detection Level | |
| b5-14 | PID Feedback Loss Detection Time | |
| b5-15 | PID Sleep Function Start Level | |
| b5-16 | PID Sleep Delay Time | |
| b5-17 | PID Accel/Decel Time | |
| b5-18 | PID Setpoint Selection | |
| b5-19 | PID Setpoint Value | |
| b5-20 | PID Setpoint Scaling | |
| b5-34◆ | PID Output Lower Limit | |
| b5-35◆ | PID Input Limit | |
| b5-36 | PID Feedback High Detection Level | |
| b5-37 | PID Feedback High Detection Time | |
| b5-38 | PID Setpoint User Display | |
| b5-39 | PID Setpoint Display Digits | |
| b5-40 | Frequency Reference Monitor Content during PID | |
| b6-01 | Dwell Reference at Start | |
| b6-02 | Dwell Time at Start | |
| b6-03 | Dwell Reference at Stop | |
| b6-04 | Dwell Time at Stop | |
| b7-01◆ | Droop Control Gain | |
| b7-02◆ | Droop Control Delay Time | |
| b8-01 | Energy Saving Control Selection | |
| b8-02◆ | Energy Saving Gain | |
| b8-03◆ | Energy Saving Control Filter Time Constant | |
| b8-04 | Energy Saving Coefficient Value | |
| b8-05 | Power Detection Filter Time | |
| b8-06 | Search Operation Voltage Limit | |
| b9-01 | Zero Servo Gain | |
| b9-02 | Zero Servo Completion Width | |
| C1-01◆ | Acceleration Time 1 | |
| C1-02◆ | Deceleration Time 1 | |
| C1-03 | Acceleration Time 2 | |
| C1-04◆ | Deceleration Time 2 | |
| C1-05 | Acceleration Time 3 (Motor 2 Accel Time 1) | |
| C1-06◆ | Deceleration Time 3 (Motor 2 Decel Time 1) | |
| C1-07◆ | Acceleration Time 4 (Motor 2 Accel Time 2) | |
| C1-08◆ | Deceleration Time 4 (Motor 2 Decel Time 2) | |
| C1-09 | Fast-Stop Time | |
| C1-10 | Accel/Decel Time Setting Units | |
| C1-11 | Accel/Decel Time Switching Frequency | |
| C2-01 | S-Curve Characteristic at Accel Start | |
| C2-02 | S-Curve Characteristic at Accel End | |
| C2-03 | S-Curve Characteristic at Decel Start | |
| C2-04 | S-Curve Characteristic at Decel End | |
| C3-01◆ | Slip Compensation Gain | |
| C3-02◆ | Slip Compensation Primary Delay Time | |
| C3-03 | Slip Compensation Limit | |
| C3-04 | Slip Compensation Selection during Regeneration | |
| C3-05 | Output Voltage Limit Operation Selection | |
| C3-21◆ | Motor 2 Slip Compensation Gain | |
| C3-22◆ | Motor 2 Slip Compensation Primary Delay Time | |
| C3-23 | Motor 2 Slip Compensation Limit | |
| C3-24 | Motor 2 Slip Compensation Selection during Regeneration | |
| C4-01◆ | Torque Compensation Gain | |

| No. | Name | User Setting |
|--------|---|--------------|
| C4-02◆ | Torque Compensation Primary Delay Time | |
| C4-03 | Torque Compensation at Forward Start | |
| C4-04 | Torque Compensation at Reverse Start | |
| C4-05 | Torque Compensation Time Constant | |
| C4-06 | Torque Compensation Primary Delay Time 2 | |
| C4-07◆ | Motor 2 Torque Compensation Gain | |
| C5-01◆ | ASR Proportional Gain 1 | |
| C5-02◆ | ASR Integral Time 1 | |
| C5-03◆ | ASR Proportional Gain 2 | |
| C5-04◆ | ASR Integral Time 2 | |
| C5-05 | ASR Limit | |
| C5-06 | ASR Primary Delay Time Constant | |
| C5-07 | ASR Gain Switching Frequency | |
| C5-08 | ASR Integral Limit | |
| C5-12 | Integral Operation during Accel/Decel | |
| C5-17 | Motor Inertia | |
| C5-18 | Load Inertia Ratio | |
| C5-21◆ | Motor 2 ASR Proportional Gain 1 | |
| C5-22◆ | Motor 2 ASR Integral Time 1 | |
| C5-23◆ | Motor 2 ASR Proportional Gain 2 | |
| C5-24◆ | Motor 2 ASR Integral Time 2 | |
| C5-25 | Motor 2 ASR Limit | |
| C5-26 | Motor 2 ASR Primary Delay Time Constant | |
| C5-27 | Motor 2 ASR Gain Switching Frequency | |
| C5-28 | Motor 2 ASR Integral Limit | |
| C5-32 | Integral Operation during Accel/Decel for Motor 2 | |
| C5-37 | Motor 2 Inertia | |
| C5-38 | Motor 2 Load Inertia Ratio | |
| C6-01 | Drive Duty Selection | |
| C6-02 | Carrier Frequency Selection | |
| C6-03 | Carrier Frequency Upper Limit | |
| C6-04 | Carrier Frequency Lower Limit | |
| C6-05 | Carrier Frequency Proportional Gain | |
| C6-09 | Carrier Frequency during Rotational Auto-Tuning | |
| d1-01◆ | Frequency Reference 1 | |
| d1-02◆ | Frequency Reference 2 | |
| d1-03◆ | Frequency Reference 3 | |
| d1-04◆ | Frequency Reference 4 | |
| d1-05◆ | Frequency Reference 5 | |
| d1-06◆ | Frequency Reference 6 | |
| d1-07◆ | Frequency Reference 7 | |
| d1-08◆ | Frequency Reference 8 | |
| d1-09◆ | Frequency Reference 9 | |
| d1-10◆ | Frequency Reference 10 | |
| d1-11◆ | Frequency Reference 11 | |
| d1-12◆ | Frequency Reference 12 | |
| d1-13◆ | Frequency Reference 13 | |
| d1-14◆ | Frequency Reference 14 | |
| d1-15◆ | Frequency Reference 15 | |
| d1-16◆ | Frequency Reference 16 | |
| d1-17◆ | Jog Frequency Reference | |
| d2-01 | Frequency Reference Upper Limit | |
| d2-02 | Frequency Reference Lower Limit | |
| d2-03 | Master Speed Reference Lower Limit | |
| d3-01 | Jump Frequency 1 | |
| d3-02 | Jump Frequency 2 | |
| d3-03 | Jump Frequency 3 | |
| d3-04 | Jump Frequency Width | |
| d4-01 | Frequency Reference Hold Function Selection | |
| d4-03◆ | Frequency Reference Bias Step (Up/Down 2) | |
| d4-04◆ | Frequency Reference Bias Accel/Decel (Up/Down 2) | |
| d4-05◆ | Frequency Reference Bias Operation Mode Selection (Up/Down 2) | |
| d4-06 | Frequency Reference Bias (Up/Down 2) | |
| d4-07◆ | Analog Frequency Reference Fluctuation Limit (Up/Down 2) | |

| No. | Name | User Setting |
|--------|--|--------------|
| d4-08◆ | Frequency Reference Bias Upper Limit (Up/Down 2) | |
| d4-09◆ | Frequency Reference Bias Lower Limit (Up/Down 2) | |
| d4-10 | Up/Down Frequency Reference Limit Selection | |
| d4-11 | Bi-directional Output Selection | |
| d4-12 | Stop Position Gain | |
| d5-01 | Torque Control Selection | |
| d5-02 | Torque Reference Delay Time | |
| d5-03 | Speed Limit Selection | |
| d5-04 | Speed Limit | |
| d5-05 | Speed Limit Bias | |
| d5-06 | Speed/Torque Control Switchover Time | |
| d5-08 | Unidirectional Speed Limit Bias | |
| d6-01 | Field Weakening Level | |
| d6-02 | Field Weakening Frequency Limit | |
| d6-03 | Field Forcing Selection | |
| d6-06 | Field Forcing Limit | |
| d7-01◆ | Offset Frequency 1 | |
| d7-02◆ | Offset Frequency 2 | |
| d7-03◆ | Offset Frequency 3 | |
| E1-01 | Input Voltage Setting | |
| E1-03 | V/f Pattern Selection | |
| E1-04 | Maximum Output Frequency | |
| E1-05 | Maximum Voltage | |
| E1-06 | Base Frequency | |
| E1-07 | Middle Output Frequency | |
| E1-08 | Middle Output Frequency Voltage | |
| E1-09 | Minimum Output Frequency | |
| E1-10 | Minimum Output Frequency Voltage | |
| E1-11 | Middle Output Frequency 2 | |
| E1-12 | Middle Output Frequency Voltage 2 | |
| E1-13 | Base Voltage | |
| E2-01 | Motor Rated Current | |
| E2-02 | Motor Rated Slip | |
| E2-03 | Motor No-Load Current | |
| E2-04 | Number of Motor Poles | |
| E2-05 | Motor Line-to-Line Resistance | |
| E2-06 | Motor Leakage Inductance | |
| E2-07 | Motor Iron-Core Saturation Coefficient 1 | |
| E2-08 | Motor Iron-Core Saturation Coefficient 2 | |
| E2-09 | Motor Mechanical Loss | |
| E2-10 | Motor Iron Loss for Torque Compensation | |
| E2-11 | Motor Rated Power | |
| E3-01 | Motor 2 Control Mode Selection | |
| E3-04 | Motor 2 Maximum Output Frequency | |
| E3-05 | Motor 2 Maximum Voltage | |
| E3-06 | Motor 2 Base Frequency | |
| E3-07 | Motor 2 Mid Output Frequency | |
| E3-08 | Motor 2 Mid Output Frequency Voltage | |
| E3-09 | Motor 2 Minimum Output Frequency | |
| E3-10 | Motor 2 Minimum Output Frequency Voltage | |
| E3-11 | Motor 2 Mid Output Frequency 2 | |
| E3-12 | Motor 2 Mid Output Frequency Voltage 2 | |
| E3-13 | Motor 2 Base Voltage | |
| E4-01 | Motor 2 Rated Current | |
| E4-02 | Motor 2 Rated Slip | |
| E4-03 | Motor 2 Rated No-Load Current | |
| E4-04 | Motor 2 Motor Poles | |
| E4-05 | Motor 2 Line-to-Line Resistance | |
| E4-06 | Motor 2 Leakage Inductance | |
| E4-07 | Motor 2 Motor Iron-Core Saturation Coefficient 1 | |
| E4-08 | Motor 2 Motor Iron-Core Saturation Coefficient 2 | |
| E4-09 | Motor 2 Mechanical Loss | |
| E4-10 | Motor 2 Iron Loss | |
| E4-11 | Motor 2 Rated Power | |
| E5-01 | Motor Code Selection | |

E.3 User Setting Table

| No. | Name | User Setting |
|--------|--|--------------|
| E5-02 | Motor Rated Power | |
| E5-03 | Motor Rated Current | |
| E5-04 | Number of Motor Poles | |
| E5-05 | Motor Stator Resistance | |
| E5-06 | Motor d-Axis Inductance | |
| E5-07 | Motor q-Axis Inductance | |
| E5-09 | Motor Induction Voltage Constant 1 | |
| E5-11 | Encoder Z-pulse Offset | |
| E5-24 | Motor Induction Voltage Constant 2 | |
| F1-01 | PG 1 Pulses Per Revolution | |
| F1-02 | Operation Selection at PG Open Circuit (PGo) | |
| F1-03 | Operation Selection at Overspeed (oS) | |
| F1-04 | Operation Selection at Deviation | |
| F1-05 | PG 1 Rotation Selection | |
| F1-06 | PG 1 Division Rate for PG Pulse Monitor | |
| F1-08 | Overspeed Detection Level | |
| F1-09 | Overspeed Detection Delay Time | |
| F1-10 | Excessive Speed Deviation Detection Level | |
| F1-11 | Excessive Speed Deviation Detection Delay Time | |
| F1-12 | PG 1 Gear Teeth 1 | |
| F1-13 | PG 1 Gear Teeth 2 | |
| F1-14 | PG Open-Circuit Detection Time | |
| F1-18 | dv3 Detection Selection | |
| F1-19 | dv4 Detection Selection | |
| F1-20 | PG Option Card Disconnect Detection 1 | |
| F1-21 | PG 1 Signal Selection | |
| F1-30 | PG Option Card Port for Motor 2 Selection | |
| F1-31 | PG 2 Pulses Per Revolution | |
| F1-32 | PG 2 Rotation Selection | |
| F1-33 | PG 2 Gear Teeth 1 | |
| F1-34 | PG 2 Gear Teeth 2 | |
| F1-35 | PG 2 Division Rate for PG Pulse Monitor | |
| F1-36 | PG Option Card Disconnect Detection 2 | |
| F1-37 | PG2 Signal Selection | |
| F2-01 | Analog Input Option Card Operation Selection | |
| F2-02◆ | Analog Input Option Card Gain | |
| F2-03◆ | Analog Input Option Card Bias | |
| F3-01 | Digital Input Option Card Input Selection | |
| F3-03 | Digital Input Option DI-A3 Data Length Selection | |
| F4-01 | Terminal V1 Monitor Selection | |
| F4-02◆ | Terminal V1 Monitor Gain | |
| F4-03 | Terminal V2 Monitor Selection | |
| F4-04◆ | Terminal V2 Monitor Gain | |
| F4-05◆ | Terminal V1 Monitor Bias | |
| F4-06◆ | Terminal V2 Monitor Bias | |
| F4-07 | Terminal V1 Signal Level | |
| F4-08 | Terminal V2 Signal Level | |
| F5-01 | Terminal P1-PC Output Selection | |
| F5-02 | Terminal P2-PC Output Selection | |
| F5-03 | Terminal P3-PC Output Selection | |
| F5-04 | Terminal P4-PC Output Selection | |
| F5-05 | Terminal P5-PC Output Selection | |
| F5-06 | Terminal P6-PC Output Selection | |
| F5-07 | Terminal M1-M2 Output Selection | |
| F5-08 | Terminal M3-M4 Output Selection | |
| F5-09 | DO-A3 Output Mode Selection | |
| F6-01 | Communications Error Operation Selection | |
| F6-02 | External Fault from Comm. Option Detection Selection | |
| F6-03 | External Fault from Comm. Option Operation Selection | |
| F6-04 | bUS Error Detection Time | |
| F6-06 | Torque Reference/Torque Limit Selection from Comm. Option | |
| F6-07 | Multi-Step Speed Enable/Disable Selection when NetRef/ComRef is Selected | |
| F6-08 | Reset Communication Parameters | |
| F6-10 | CC-Link Node Address | |

| No. | Name | User Setting |
|--------|---|--------------|
| F6-11 | CC-Link Communications Speed | |
| F6-14 | CC-Link bUS Error Auto Reset | |
| F6-20 | MECHATROLINK Station Address | |
| F6-21 | MECHATROLINK Frame Size | |
| F6-22 | MECHATROLINK Link Speed | |
| F6-23 | MECHATROLINK Monitor Selection (E) | |
| F6-24 | MECHATROLINK Monitor Selection (F) | |
| F6-25 | Operation Selection at Watchdog Timer Error (E5) | |
| F6-26 | MECHATROLINK bUS Errors Detected | |
| F6-30 | PROFIBUS-DP Node Address | |
| F6-31 | PROFIBUS-DP Clear Mode Selection | |
| F6-32 | PROFIBUS-DP Data Format Selection | |
| F6-35 | CANopen Node ID Selection | |
| F6-36 | CANopen Communication Speed | |
| F6-50 | DeviceNet MAC Address | |
| F6-51 | DeviceNet Communication Speed | |
| F6-52 | DeviceNet PCA Setting | |
| F6-53 | DeviceNet PPA Setting | |
| F6-54 | DeviceNet Idle Mode Fault Detection | |
| F6-55 | DeviceNet Baud Rate Monitor | |
| F6-56 | DeviceNet Speed Scaling | |
| F6-57 | DeviceNet Current Scaling | |
| F6-58 | DeviceNet Torque Scaling | |
| F6-59 | DeviceNet Power Scaling | |
| F6-60 | DeviceNet Voltage Scaling | |
| F6-61 | DeviceNet Time Scaling | |
| F6-62 | DeviceNet Heartbeat Interval | |
| F6-63 | DeviceNet Network MAC ID | |
| H1-01 | Multi-Function Digital Input Terminal S1 Function Selection | |
| H1-02 | Multi-Function Digital Input Terminal S2 Function Selection | |
| H1-03 | Multi-Function Digital Input Terminal S3 Function Selection | |
| H1-04 | Multi-Function Digital Input Terminal S4 Function Selection | |
| H1-05 | Multi-Function Digital Input Terminal S5 Function Selection | |
| H1-06 | Multi-Function Digital Input Terminal S6 Function Selection | |
| H1-07 | Multi-Function Digital Input Terminal S7 Function Selection | |
| H1-08 | Multi-Function Digital Input Terminal S8 Function Selection | |
| H2-01 | Terminal M1-M2 Function Selection (relay) | |
| H2-02 | Terminal M3-M4 Function Selection | |
| H2-03 | Terminal M5-M6 Function Selection | |
| H2-06 | Watt Hour Output Unit Selection | |
| H3-01 | Terminal A1 Signal Level Selection | |
| H3-02 | Terminal A1 Function Selection | |
| H3-03◆ | Terminal A1 Gain Setting | |
| H3-04◆ | Terminal A1 Bias Setting | |
| H3-05 | Terminal A3 Signal Level Selection | |
| H3-06 | Terminal A3 Function Selection | |
| H3-07◆ | Terminal A3 Gain Setting | |
| H3-08◆ | Terminal A3 Bias Setting | |
| H3-09 | Terminal A2 Signal Level Selection | |
| H3-10 | Terminal A2 Function Selection | |
| H3-11◆ | Terminal A2 Gain Setting | |
| H3-12◆ | Terminal A2 Bias Setting | |
| H3-13 | Analog Input Filter Time Constant | |
| H3-14 | Analog Input Terminal Enable Selection | |
| H4-01 | Multi-Function Analog Output Terminal FM Monitor Selection | |
| H4-02◆ | Multi-Function Analog Output Terminal FM Gain | |
| H4-03◆ | Multi-Function Analog Output Terminal FM Bias | |
| H4-04 | Multi-Function Analog Output Terminal AM Monitor Selection | |

| No. | Name | User Setting |
|--------|--|--------------|
| H4-05◆ | Multi-Function Analog Output Terminal AM Gain | |
| H4-06◆ | Multi-Function Analog Output Terminal AM Bias | |
| H4-07 | Multi-Function Analog Output Terminal FM Signal Level Selection | |
| H4-08 | Multi-Function Analog Output Terminal AM Signal Level Selection | |
| H5-01 | Drive Node Address | |
| H5-02 | Communication Speed Selection | |
| H5-03 | Communication Parity Selection | |
| H5-04 | Stopping Method After Communication Error (CE) | |
| H5-05 | Communication Fault Detection Selection | |
| H5-06 | Drive Transmit Wait Time | |
| H5-07 | RTS Control Selection | |
| H5-09 | CE Detection Time | |
| H5-10 | Unit Selection for MEMOBUS/Modbus Register 0025H | |
| H5-11 | Communications ENTER Function Selection | |
| H5-12 | Run Command Method Selection | |
| H6-01 | Pulse Train Input Terminal RP Function Selection | |
| H6-02◆ | Pulse Train Input Scaling | |
| H6-03◆ | Pulse Train Input Gain | |
| H6-04◆ | Pulse Train Input Bias | |
| H6-05◆ | Pulse Train Input Filter Time | |
| H6-06◆ | Pulse Train Monitor Selection | |
| H6-07◆ | Pulse Train Monitor Scaling | |
| H6-08 | Pulse Train Input Minimum Frequency | |
| L1-01 | Motor Overload Protection Selection | |
| L1-02 | Motor Overload Protection Time | |
| L1-03 | Motor Overheat Alarm Operation Selection (PTC input) | |
| L1-04 | Motor Overheat Fault Operation Selection (PTC input) | |
| L1-05 | Motor Temperature Input Filter Time (PTC input) | |
| L1-13 | Continuous Electrothermal Operation Selection | |
| L2-01 | Momentary Power Loss Operation Selection | |
| L2-02 | Momentary Power Loss Ride-Thru Time | |
| L2-03 | Momentary Power Loss Minimum Baseblock Time | |
| L2-04 | Momentary Power Loss Voltage Recovery Ramp Time | |
| L2-05 | Undervoltage Detection Level (Uv1) | |
| L2-06 | KEB Deceleration Time | |
| L2-07 | KEB Acceleration Time | |
| L2-08 | Frequency Gain at KEB Start | |
| L2-10 | KEB Detection Time (Minimum KEB Time) | |
| L2-11 | DC Bus Voltage Setpoint during KEB | |
| L2-29 | KEB Method Selection | |
| L3-01 | Stall Prevention Selection during Acceleration | |
| L3-02 | Stall Prevention Level during Acceleration | |
| L3-03 | Stall Prevention Limit during Acceleration | |
| L3-04 | Stall Prevention Selection during Deceleration | |
| L3-05 | Stall Prevention Selection during Run | |
| L3-06 | Stall Prevention Level during Run | |
| L3-11 | Overvoltage Suppression Function Selection | |
| L3-17 | Target DC Bus Voltage for Overvoltage Suppression and Stall Prevention | |
| L3-20 | DC Bus Voltage Adjustment Gain | |
| L3-21 | Accel/Decel Rate Calculation Gain | |
| L3-22 | Deceleration Time at Stall Prevention during Acceleration | |
| L3-23 | Automatic Reduction Selection for Stall Prevention during Run | |
| L3-24 | Motor Acceleration Time for Inertia Calculations | |
| L3-25 | Load Inertia Ratio | |
| L3-26 | Additional DC Bus Capacitors | |
| L3-27 | Stall Prevention Detection Time | |
| L4-01 | Speed Agreement Detection Level | |
| L4-02 | Speed Agreement Detection Width | |
| L4-03 | Speed Agreement Detection Level (+/-) | |
| L4-04 | Speed Agreement Detection Width (+/-) | |
| L4-05 | Frequency Reference Loss Detection Selection | |
| L4-06 | Frequency Reference at Reference Loss | |

| No. | Name | User Setting |
|-------|---|--------------|
| L4-07 | Speed Agreement Detection Selection | |
| L5-01 | Number of Auto Restart Attempts | |
| L5-02 | Auto Restart Fault Output Operation Selection | |
| L5-04 | Fault Reset Interval Time | |
| L5-05 | Fault Reset Operation Selection | |
| L6-01 | Torque Detection Selection 1 | |
| L6-02 | Torque Detection Level 1 | |
| L6-03 | Torque Detection Time 1 | |
| L6-04 | Torque Detection Selection 2 | |
| L6-05 | Torque Detection Level 2 | |
| L6-06 | Torque Detection Time 2 | |
| L6-08 | Mechanical Weakening Detection Operation | |
| L6-09 | Mechanical Weakening Detection Speed Level | |
| L6-10 | Mechanical Weakening Detection Time | |
| L6-11 | Mechanical Weakening Detection Start Time | |
| L7-01 | Forward Torque Limit | |
| L7-02 | Reverse Torque Limit | |
| L7-03 | Forward Regenerative Torque Limit | |
| L7-04 | Reverse Regenerative Torque Limit | |
| L7-06 | Torque Limit Integral Time Constant | |
| L7-07 | Torque Limit Control Method Selection during Accel/Decel | |
| L8-01 | Internal Dynamic Braking Resistor Protection Selection (ERF type) | |
| L8-02 | Overheat Alarm Level | |
| L8-03 | Overheat Pre-Alarm Operation Selection | |
| L8-05 | Input Phase Loss Protection Selection | |
| L8-07 | Output Phase Loss Protection | |
| L8-09 | Output Ground Fault Detection Selection | |
| L8-10 | Heatsink Cooling Fan Operation Selection | |
| L8-11 | Heatsink Cooling Fan Off Delay Time | |
| L8-12 | Ambient Temperature Setting | |
| L8-15 | oL2 Characteristics Selection at Low Speeds | |
| L8-18 | Software Current Limit Selection | |
| L8-19 | Frequency Reduction Rate during Overheat Pre-Alarm | |
| L8-27 | Overcurrent Detection Gain | |
| L8-29 | Current Unbalance Detection (LF2) | |
| L8-35 | Installation Method Selection | |
| L8-38 | Carrier Frequency Reduction Selection | |
| L8-40 | Carrier Frequency Reduction Off-Delay Time | |
| L8-41 | High Current Alarm Selection | |
| L8-55 | Internal Braking Transistor Protection | |
| n1-01 | Hunting Prevention Selection | |
| n1-02 | Hunting Prevention Gain Setting | |
| n1-03 | Hunting Prevention Time Constant | |
| n1-05 | Hunting Prevention Gain while in Reverse | |
| n2-01 | Speed Feedback Detection Control (AFR) Gain | |
| n2-02 | Speed Feedback Detection Control (AFR) Time Constant 1 | |
| n2-03 | Speed Feedback Detection Control (AFR) Time Constant 2 | |
| n3-01 | High Slip Braking Deceleration Frequency Width | |
| n3-02 | High Slip Braking Current Limit | |
| n3-03 | High Slip Braking Dwell Time at Stop | |
| n3-04 | High Slip Braking Overload Time | |
| n3-13 | Overexcitation Deceleration Gain | |
| n3-14 | High Frequency Injection during Overexcitation Deceleration | |
| n3-21 | High Slip Suppression Current Level | |
| n3-23 | Overexcitation Operation Selection | |
| n5-01 | Feed Forward Control Selection | |
| n5-02 | Motor Acceleration Time | |
| n5-03 | Feed Forward Control Gain | |
| n6-01 | Online Tuning Selection | |
| n6-05 | Online Tuning Gain | |
| n8-01 | Initial Rotor Position Estimation Current | |
| n8-02 | Pole Attraction Current | |
| n8-35 | Initial Rotor Position Detection Selection | |

E.3 User Setting Table

| No. | Name | User Setting |
|----------------|---|--------------|
| n8-45 | Speed Feedback Detection Control Gain | |
| n8-47 | Pull-In Current Compensation Time Constant | |
| n8-48 | Pull-In Current | |
| n8-49 | d-Axis Current for High Efficiency Control | |
| n8-51 | Acceleration/Deceleration Pull-In Current | |
| n8-54 | Voltage Error Compensation Time Constant | |
| n8-55 | Load Inertia | |
| n8-57 | High Frequency Injection | |
| n8-62 | Output Voltage Limit | |
| n8-65 | Speed Feedback Detection Control Gain during ov Suppression | |
| o1-01◆ | Drive Mode Unit Monitor Selection | |
| o1-02◆ | User Monitor Selection After Power Up | |
| o1-03 | Digital Operator Display Selection | |
| o1-04 | V/f Pattern Display Unit | |
| o1-10 | User-Set Display Units Maximum Value | |
| o1-11 | User-Set Display Units Decimal Display | |
| o2-01 | LO/RE Key Function Selection | |
| o2-02 | STOP Key Function Selection | |
| o2-03 | User Parameter Default Value | |
| o2-04 | Drive Model Selection | |
| o2-05 | Frequency Reference Setting Method Selection | |
| o2-06 | Operation Selection when Digital Operator is Disconnected | |
| o2-07 | Motor Direction at Power Up when Using Operator | |
| o3-01 | Copy Function Selection | |
| o3-02 | Copy Allowed Selection | |
| o4-01 | Cumulative Operation Time Setting | |
| o4-02 | Cumulative Operation Time Selection | |
| o4-03 | Cooling Fan Maintenance Operation Time Setting | |
| o4-05 | Capacitor Maintenance Setting | |
| o4-07 | DC Bus Pre-charge Relay Maintenance Setting | |
| o4-09 | IGBT Maintenance Setting | |
| o4-11 | U2, U3 Initialize Selection | |
| o4-12 | kWh Monitor Initialization | |
| o4-13 | Number of Run Commands Counter Initialization | |
| q1-01 to q6-07 | DriveWorksEZ Parameters | |
| r1-01 to r1-40 | DWEZ Connection Parameter 1 to 20 (upper/lower) | |
| T1-00 | Motor 1/Motor 2 Selection | |
| T1-01 | Auto-Tuning Mode Selection | |
| T1-02 | Motor Rated Power | |
| T1-03 | Motor Rated Voltage | |
| T1-04 | Motor Rated Current | |
| T1-05 | Motor Base Frequency | |
| T1-06 | Number of Motor Poles | |
| T1-07 | Motor Base Speed | |
| T1-08 | PG Number of Pulses Per Revolution | |
| T1-09 | Motor No-Load Current (Stationary Auto-Tuning) | |
| T1-10 | Motor Rated Slip (Stationary Auto-Tuning) | |
| T1-11 | Motor Iron Loss | |
| T2-01 | PM Motor Auto-Tuning Mode Selection | |
| T2-02 | PM Motor Code Selection | |
| T2-03 | PM Motor Type | |
| T2-04 | PM Motor Rated Power | |
| T2-05 | PM Motor Rated Voltage | |
| T2-06 | PM Motor Rated Current | |
| T2-07 | PM Motor Base Frequency | |
| T2-08 | Number of PM Motor Poles | |
| T2-09 | PM Motor Base Speed | |
| T2-10 | PM Motor Stator Resistance | |
| T2-11 | PM Motor d-Axis Inductance | |
| T2-12 | PM Motor q-Axis Inductance | |
| T2-13 | Induced Voltage Constant Unit Selection | |
| T2-14 | PM Motor Induced Voltage Constant | |

| No. | Name | User Setting |
|-------|--|--------------|
| T2-15 | Pull-In Current Level for PM Motor Tuning | |
| T2-16 | PG Number of Pulses Per Revolution for PM Motor Tuning | |
| T2-17 | Encoder Z-Pulse Offset | |
| T3-01 | Test Signal Frequency | |
| T3-02 | Test Signal Amplitude | |
| T3-03 | Motor Inertia | |
| T3-04 | System Response Frequency | |

Index

Symbols

| | |
|----|----|
| - | 65 |
| +1 | 65 |
| +2 | 65 |
| +3 | 65 |
| +V | 72 |

Numerics

| | |
|--|-----|
| 1800 r/min Type Yaskawa SMRA Series SPM Motor Settings | 463 |
| 24 V Power Supply | 375 |
| 2-Wire Initialization | 131 |
| 3-Wire Initialization | 131 |
| 3-Wire Sequence | 215 |
| 3-Wire Sequence Wiring Diagram | 215 |
| 5th Most Recent Fault | 450 |

A

| | |
|--|----------|
| A/D Conversion Error | 301, 306 |
| A1 | 72 |
| A1000 Models | 27 |
| A1-02 (Motor 1 Control Mode) Dependent Parameters | 454 |
| A2 | 72 |
| A2 Signal Selection | 76 |
| A3 | 72 |
| A3 Analog/PTC Input Selection | 76 |
| AC | 72, 73 |
| AC Reactor | 375 |
| Accel/Decel Rate Calculation Gain | 261 |
| Accel/Decel Time | 299, 391 |
| Accel/Decel Time Setting Units | 167 |
| Accel/Decel Time Switching Frequency | 166 |
| Acceleration Error | 304, 329 |
| Acceleration Time | 165 |
| Acceleration Time Pull-In Current | 442 |
| Acceleration/Deceleration Pull-In Current | 282 |
| Access Level Selection | 124, 130 |
| Action Selection below Minimum Output Frequency | 140 |
| Additional DC Bus Capacitors | 262 |
| Adjusted Slip Calculation Error | 328 |
| Adjusting the ASR Parameters | 172 |
| AEr | 319 |
| AFR | 276 |
| AFR Gain | 296 |
| AFR Time Constant 1 | 296 |
| AFR Time Constant 2 | 296 |
| AI-A3 | 375 |
| AI-A3 Settings | 209 |
| Alarm | 304 |
| ALARM (ALM) LED Displays | 89 |
| Alarm Outputs for Maintenance Monitors | 349 |
| Alarm Register 007FH Contents | 501 |
| Alarms and Errors | 300 |
| Allowable Frequency Fluctuation | 389, 390 |
| Allowable Voltage Fluctuation | 389, 390 |
| ALM LED Light | 87 |
| Altitude | 40 |
| AM | 73 |
| AM/FM Signal Selection | 76 |
| Ambient Temperature | 40 |
| Ambient Temperature and Installation Method Derating | 396 |

| | |
|---|---------------|
| Ambient Temperature Setting | 271, 395, 438 |
| Analog Filter Time Constant | 299 |
| Analog Frequency Reference Fluctuation Limit | 186 |
| Analog Frequency Reference Sample/Hold | 220 |
| Analog Input Card Settings | 209 |
| Analog Input Filter Time Constant | 236 |
| Analog Input Option Card Bias | 209 |
| Analog Input Option Card Gain | 209 |
| Analog Input Option Card Operation Selection | 209 |
| Analog Input Terminal Enable Selection | 237 |
| Analog Inputs / Pulse Train Input | 72 |
| Analog Monitor Card Settings | 210 |
| AO-A3 | 375 |
| AO-A3 Settings | 210 |
| Application Notes | 19 |
| Application Presets | 103 |
| Application Selection | 103 |
| Applications with Specialized Motors | 22 |
| ASR | 171 |
| ASR Gain Auto-Tuning | 110 |
| ASR Gain Switching Frequency | 175 |
| ASR Integral Limit | 175 |
| ASR Integral Time | 173 |
| ASR Limit | 174 |
| ASR Primary Delay Time Constant | 174 |
| ASR Proportional Gain | 173 |
| ASR Response Frequency | 120 |
| Attachment for External Heatsink | 375, 385 |
| Auto Restart Fault Output Operation Selection | 264 |
| Auto Restart Operation Selection | 437 |
| Automatic Reduction Selection for Stall Prevention during Run | 259, 436 |
| Automatic Speed Regulator | 171 |
| Auto-Tuning | 109, 111, 114 |
| Auto-Tuning Codes | 328 |
| Auto-Tuning Error Displays | 304 |
| Auto-Tuning Errors | 304 |
| Auto-Tuning Fault Codes | 112 |
| Auto-Tuning Fault Detection | 328 |
| Auto-Tuning Fault Solutions | 328 |
| Auto-Tuning for Induction Motors | 109 |
| Auto-Tuning for Permanent Magnet Motors | 110 |
| Auto-Tuning Input Data | 109, 110, 111 |
| Auto-Tuning Interruption and Fault Codes | 112 |
| Auto-Tuning Mode Selection | 114, 444 |

B

| | |
|---------------------------------------|----------|
| B1 | 65 |
| B2 | 65 |
| Backing Up Parameter Values | 124 |
| Base Frequency | 197, 314 |
| Base Voltage | 197 |
| Baseblock | 319 |
| Baseblock Signal Input | 303 |
| Basic Auto-Tuning Preparations | 111 |
| Basic Start-up and Motor Tuning | 98 |
| bb | 302, 319 |
| Before Auto-Tuning the Drive | 111 |
| Bi-Directional Output Selection | 187 |
| Bi-Directional Speed Search Selection | 150 |
| boL | 306, 319 |
| Bottom Cover | 32 |
| Braking Options | 379 |
| Braking Resistor | 375, 379 |
| Braking Resistor Fault | 316 |
| Braking Resistor Overheat | 316 |
| Braking Resistor Overheat Protection | 391 |

| | | | |
|--|--------------------|--|------------|
| Braking Resistor Overload Protection | 380 | Continuous Electrothermal Operation Selection | 248 |
| Braking Torque | 391 | Control Board Connection Error | 307 |
| Braking Transistor | 391 | Control Circuit Error | 306, 307 |
| Braking Transistor Overload Fault | 306, 319 | Control Circuit Fault | 301 |
| Braking Unit | 375 | Control Circuit Input Terminals | 72 |
| Broadcast Messages | 500 | Control Circuit Output Terminals | 73 |
| bUS | 301, 302, 306, 319 | Control Circuit Terminal Arrangement | 73 |
| Buzzing Sound from Motor at 2 kHz | 341 | Control Circuit Terminal Block Functions | 72 |
| C | | Control Circuit Wiring | 72 |
| Cable Length Between Drive and Motor | 70 | Control Fault | 301, 306 |
| CALL | 302, 319 | Control I/O Connections | 77 |
| Cannot Change Parameter Settings | 336 | Control Method Selection | 130 |
| Cannot Reset | 302, 320 | Control Method Selection Error | 326 |
| CANopen Parameters | 211, 213 | Control Mode | 130, 447 |
| Capacitor Maintenance | 450 | Control Mode Dependent Parameter Default Values | 454 |
| Capacitor Maintenance Setting | 288, 443 | Control Mode Mismatch | 332 |
| Capacitor Maintenance Time | 322 | Control Mode Selection | 28 |
| Carrier Frequency | 177, 389, 390 | Control Modes and their Features | 28 |
| Carrier Frequency and Current Derating | 179 | Control Monitors | 453 |
| Carrier Frequency Derating | 394 | Control Power Supply Undervoltage | 302 |
| Carrier Frequency during Rotational Auto-Tuning | 179 | Control Power Supply Voltage Fault | 318 |
| Carrier Frequency Lower Limit | 178 | Conveyor Application | 103 |
| Carrier Frequency Proportional Gain | 178 | Cooling Fan | 32, 33, 34 |
| Carrier Frequency Reduction | 439 | Cooling Fan Maintenance | 450 |
| Carrier Frequency Reduction Off-Delay Time | 273 | Cooling Fan Maintenance Setting (Operation Time) | 443 |
| Carrier Frequency Reduction Selection | 273 | Cooling Fan Maintenance Time | 321 |
| Carrier Frequency Selection | 177, 296, 297 | Cooling Fan Operation Time | 450 |
| Carrier Frequency Setting Error | 304, 327 | Cooling Fan Operation Time Setting | 288 |
| Carrier Frequency Upper Limit | 178 | Cooling Fan Replacement | 352 |
| CC-Link Parameters | 211, 213 | CoPy | 332 |
| CE | 301, 302, 306, 320 | Copy Allowed Selection | 287 |
| CE Detection Time | 483 | Copy Errors | 304 |
| CE Low Voltage Directive Compliance | 510 | Copy Function | 125, 287 |
| CE mark | 510 | Copy Function Errors | 300 |
| CF | 301, 306 | Copy Function Selection | 287 |
| Changing Parameter Settings or Values | 92 | Copy Unit Error | 332 |
| Circulation fan | 33, 34 | CopyUnitManager | 125 |
| Closed Loop Vector control | 28 | CPEr | 332 |
| Closed Loop Vector Control for PM Motors | 28 | CPF02 | 306 |
| Closed-Loop Crimp Terminal Size | 515 | CPF03 | 307 |
| Coast to stop | 138 | CPF06 | 307 |
| Coast to Stop with Timer | 139 | CPF07 | 307 |
| Command Messages from Master to Drive | 486 | CPF08 | 307 |
| Communication Error | 332 | CPF11 to CPF14 | 306 |
| Communication Fault Detection Selection | 482 | CPF20 | 301, 307 |
| Communication Option Card | 211 | CPF21 | 301, 307 |
| Communication Option Card Reference | 451 | CPF22 | 301, 307 |
| Communication Option Station Number Setting Error (CC-Link, CANopen, MECHATROLINK-II) | 319 | CPF23 | 301, 307 |
| Communication Parity Selection | 482 | CPF24 | 301, 307 |
| Communication Speed Selection | 482 | CPF26 | 307 |
| Communications Enter Function Selection | 483 | CPF34 | 307 |
| Communications Error Operation Selection | 211 | CPyE | 332 |
| Communications Timing | 486 | CRC-16 | 487 |
| Comparing Parameter Settings | 333 | CRC-16 Checksum Calculation Example | 488 |
| Complementary PG | 375 | CrST | 302, 320 |
| Component Names | 32 | CSEr | 332 |
| Compressor Application | 105 | Cumulative Operation Time | 450 |
| Conducted Noise | 383 | Cumulative Operation Time at 5th Most Recent Fault | 450 |
| Connected Machinery Vibrates When Motor Rotates | 340 | Cumulative Operation Time at Most Recent Fault | 450 |
| Connecting a DC Reactor | 383 | Cumulative Operation Time at Previous Fault | 449 |
| Connecting an AC Reactor | 383 | Cumulative Operation Time Selection | 288, 443 |
| Connecting Braking Units in Parallel | 381 | Cumulative Operation Time Setting | 288, 443 |
| Connecting Peripheral Devices | 376 | Current Alarm | 303, 321 |
| Connecting to a PC (USB) | 81 | Current Detection Error | 304, 330 |
| Connection of a Motor PTC | 247 | Current Detection Speed Search | 146 |
| | | Current Fault | 449 |
| | | Current Imbalance | 301 |

| | | | |
|--|--------------------|---|----------|
| Current Unbalance Detection (LF2) | 272, 439 | DIP Switch S4 Settings | 79 |
| Cyclic Redundancy Check | 487 | DM- | 73 |
| D | | DM+ | 73 |
| D Control | 152 | dnE | 302, 320 |
| d References | 411 | DO-A3 | 375 |
| Daily Inspection | 347 | DO-A3 Output Mode Selection | 211 |
| d-Axis ACR Output | 452 | DO-A3 Settings | 211 |
| d-Axis Current for High Efficiency Control | 282 | Drive Baseblock | 302 |
| DC Bus Overvoltage | 323 | Drive Capacity Setting Fault | 325 |
| DC Bus Pre-Charge Relay Maintenance Setting | 288 | Drive Capacity Signal Fault | 301 |
| DC Bus Undervoltage | 317 | Drive Cooling Fans | 351 |
| DC Bus Voltage | 447 | Drive Cover | 32, 33 |
| DC Bus Voltage Adjustment Gain | 260 | Drive Cover 1 | 34 |
| DC Bus Voltage at Previous Fault | 449 | Drive cover 2 | 34 |
| DC Bus Voltage Setpoint during KEB | 255 | Drive Derating Data | 394 |
| DC Injection Braking | 339 | Drive Disabled | 302, 320 |
| DC Injection Braking at Stop | 341 | Drive Does Not Allow Selection of Rotational Auto-Tuning | 338 |
| DC Injection Braking Current | 145, 341 | Drive Duty Mode Selection | 177 |
| DC Injection Braking Input Timing Diagram | 222 | Drive Mode | 91, 92 |
| DC Injection Braking Start Frequency | 144 | Drive Mode Unit Monitor Selection | 284, 442 |
| DC Injection Braking Time at Start | 145 | Drive Model Mismatch | 332 |
| DC Injection Braking Time at Stop | 145 | Drive Model Selection | 286 |
| DC Injection Braking to Stop | 139 | Drive Models and Types | 46 |
| DC Reactor | 375 | Drive Motor Overload Protection | 516 |
| DC Reactors for EN 61000-3-2 Compliance | 514 | Drive Operation Status at Previous Fault | 449 |
| Deceleration Rate Calculation Gain | 436 | Drive Overheat | 303 |
| Deceleration Time | 165 | Drive Overheat Warning | 322 |
| Deceleration Time at Stall Prevention during Acceleration | 257, 436 | Drive Overload | 302, 314 |
| Defaults by Drive Model Selection (o2-04) and ND/HD (C6-01) | 457 | Drive Ready | 82 |
| Delay Timers | 151 | Drive Replacement | 369 |
| Derivative Time (D) | 155 | Drive Short-Circuit Rating | 516 |
| Desired DC Bus Voltage during KEB | 435 | Drive Slave Address | 482 |
| dEv | 301, 302, 308, 320 | Drive Specifications | 391 |
| DeviceNet Parameters | 211, 213 | Drive Standard Connection Diagram | 54 |
| dFPS | 332 | Drive Status | 448 |
| DI-A3 | 375 | Drive Transmit Wait Time | 483 |
| DI-A3 Settings | 209 | Drive Unit Setting Error | 304 |
| Diagnosing and Resetting Faults | 334 | Drive Unit Signal Fault | 307 |
| Digital Input Card Settings | 209 | Drive Watt Loss Data | 393 |
| Digital Input Option Card Input Selection | 209 | Drive/kVA Selection | 443 |
| Digital Input Option DI-A3 Data Length Selection | 210 | DriveWizard Plus | 125, 375 |
| Digital Input Reading | 142 | DriveWorksEZ | 375 |
| Digital Input Sink / Source / External Power Supply Selection | 77 | DriveWorksEZ Connection Parameters | 289 |
| Digital Operator | 32, 33, 34, 87 | DriveWorksEZ Custom Monitor 1 to 10 | 453 |
| Digital Operator Dimensions | 43 | DriveWorksEZ Fault | 308 |
| Digital Operator Display Selection | 284, 442 | DriveWorksEZ Function Selection | 134 |
| Digital Operator Installation Methods and Required Tools | 43 | DriveWorksEZ Monitors | 292 |
| Digital Operator Keypad Functions | 285 | DriveWorksEZ Parameters | 289 |
| Digital Operator Menu and Screen Structure | 90 | Droop Control | 162 |
| Digital Operator Remote Installation | 43 | Droop Control Delay Time | 162 |
| Digital Operator Remote Usage | 42 | Droop Control Gain | 162 |
| Digital Output Card Settings | 211 | Droop Control Limit Selection | 162 |
| Digital Output Option Card Terminal Function Selection | 211 | During Frequency Output Time Chart | 232 |
| Dimensions for IP00 Enclosure | | During Run 2, Motor Switch Command Input | 303 |
| 200 V Class | 49 | During Run Time Chart | 225 |
| 400 V Class | 49 | dv1 | 308 |
| Dimensions for IP20/NEMA Type 1 Enclosure | | dv2 | 308 |
| 200 V Class | 47 | dv3 | 308 |
| 400 V Class | 47 | dv3 Detection Selection | 208 |
| DIP Switch S1 | 35, 76 | dv4 | 308 |
| DIP Switch S1 Settings | 79 | dv4 Detection Selection | 208 |
| DIP Switch S2 | 35, 76 | dWAL | 302, 308 |
| DIP Switch S4 | 76 | Dwell Function | 161, 299 |
| | | Dwell Reference at Start | 161 |
| | | Dwell Reference at Stop | 161 |
| | | Dwell Time at Start | 161 |

| | | | |
|---|---------------|---|--------------------|
| Dwell Time at Stop | 161 | Er-19 | 330 |
| DWEZ Connection Parameters | 444 | Er-20 | 330 |
| DWEZ Version Control Monitor 1 to 3 | 453 | Er-21 | 331 |
| dWFL | 308 | Err | 301, 309 |
| Dynamic Braking Resistor | 302 | Error Reading Data | 333 |
| Dynamic Braking Transistor | 302, 316 | Error Writing Data | 332 |
| E | | Errors and Displays When Using the Copy Function | 304 |
| E (G) | 72 | European Standards | 510 |
| E3-01 (Motor 2 Control Mode) Dependent Parameters | 455 | Excessive Motor Oscillation and Erratic Rotation | 339 |
| EEPROM Memory Data Error | 307 | Excessive PID Feedback | 301, 303, 309, 321 |
| EEPROM Write Error | 301, 309 | Excessive Speed Deviation (for Simple V/f with PG) | 301, 302 |
| EF | 303, 320 | Excessive Speed Deviation Detection Delay Time | 207 |
| EF0 | 301, 309, 320 | Excessive Speed Deviation Detection Level | 207 |
| EF1 | 309, 320 | Excessive V/f Setting | 304, 328 |
| EF1 to EF7 | 301, 303 | Exhaust Fan Application | 104 |
| EF2 | 309, 320 | Exterior and Mounting Dimensions | 46 |
| EF3 | 309, 320 | External 24 Vdc Power Supply | 77 |
| EF4 | 309, 320 | External Digital Operator Connection Fault | 315 |
| EF5 | 309, 320 | External Fault | 309, 320, 321 |
| EF6 | 309, 320 | External Fault (input terminal S1 to S7) | 301, 303 |
| EF7 | 309, 321 | External Fault from Comm. Option Detection Selection | 212 |
| EF8 | 309, 321 | External Fault from Comm. Option Operation Selection | 212 |
| Electrical Installation | 51 | External Interlock | 82 |
| EMC Filter and Drive Installation for CE Compliance | 512 | F | |
| EMC Filter Installation | 510 | Fan Connector Cable (CN6) | 359 |
| EMC Filters | 513 | Fan Cover | 32, 352 |
| EMC Guidelines | 510 | Fan Guard | 33, 34, 360 |
| EMC Guidelines Compliance | 510 | Fan Relay Cable | 359 |
| EN61800-3 C2 Filters | 513 | Fan Unit | 33, 34, 359 |
| Enclosure Types | 31 | Fast Stop Sequence | 219 |
| Encoder Z-Pulse Offset | 119, 205 | Fast Stop Time | 166 |
| End | 332 | Fault Causes and Solutions | 306 |
| End1 | 304, 328 | Fault Detection | 306 |
| End2 | 304, 328 | Fault Displays | 301, 302, 306 |
| End3 | 304, 328 | Fault History | 291, 334, 450 |
| End4 | 328 | Fault Relay | 73 |
| End5 | 328 | Fault Reset Interval Time | 264, 437 |
| End6 | 328 | Fault Reset Methods | 335 |
| End7 | 328 | Fault Reset Operation Selection | 264, 437 |
| Energy Saving | 163 | Fault Restart | 263 |
| Energy Saving Coefficient Value | 163 | Fault Trace | 291, 334, 449 |
| Energy Saving Control Filter Time Constant | 163 | Fault Trace / History Register Contents | 500 |
| Energy Saving Control Selection | 163 | Fault Trace Example | 334 |
| Energy Saving Gain | 163 | Faults | 300, 301 |
| Enter Command | 503 | FbH | 301, 303, 309, 321 |
| Enter command necessary | 484 | FbL | 301, 303, 310, 321 |
| Enter command not necessary | 484 | Feed Forward Control | 279 |
| Enter Command Settings when Upgrading the Drive | 503 | Feed Forward Control Diagram | 279 |
| Enter Command Types | 503 | Feed Forward Control Gain | 280 |
| Enter Data from the Motor Nameplate | 113 | Feed Forward Control Selection | 279 |
| Er-01 | 304, 329 | Ferrule Dimensions | 74 |
| Er-02 | 304, 329 | Ferrule Terminal Types and Sizes | 74 |
| Er-03 | 304, 329 | Ferrule-Type Wire Terminals | 74 |
| Er-04 | 304, 329 | Field Forcing | 192 |
| Er-05 | 304, 329 | Field Forcing Limit | 193 |
| Er-08 | 304, 329 | Field Forcing Selection | 192 |
| Er-09 | 304, 329 | Field Weakening | 192 |
| Er-10 | 329 | Field Weakening Frequency Limit | 192 |
| Er-11 | 304, 330 | Field Weakening Level | 192 |
| Er-12 | 304, 330 | Fine-Tuning Advanced Open Loop Vector Control for PM Motors | 298 |
| Er-13 | 330 | Fine-Tuning Closed Loop Vector Control | 297 |
| Er-14 | 330 | Fine-Tuning Closed Loop Vector Control for PM Motors | 298 |
| Er-15 | 330 | Fine-Tuning Open Loop Vector Control | 296 |
| Er-16 | 330 | Fine-Tuning Open Loop Vector Control for PM Motors | 297 |
| Er-17 | 330 | Fine-Tuning V/f Control and V/f Control with PG | 296 |
| Er-18 | 330 | | |

| | | | |
|---|------------|---|--------------------|
| FJOG/RJOG Operation | 218 | HC | 72 |
| FM | 73 | HCA | 303, 321 |
| Formula to calculate the amount of voltage drop | 66 | HD | 177 |
| Forward Regenerative Torque Limit | 268, 438 | HD and ND | 388 |
| Forward Torque Limit | 268, 438 | Heatsink | 32, 33, 34 |
| Forward/Reverse Run Command Input Error | 320 | Heatsink Cooling Fan Off-Delay Time | 271 |
| Frequency Accuracy (Temperature Fluctuation) | 391 | Heatsink Cooling Fan Operation Delay Time | 438 |
| Frequency Control Range | 391 | Heatsink Cooling Fan Operation Selection | 271, 438 |
| Frequency Detection 1 Time Chart | 227 | Heatsink Overheat | 302, 303, 313, 322 |
| Frequency Detection 2 Time Chart | 227 | Heatsink Temperature | 450 |
| Frequency Detection 3 Example with a Positive L3-04 Value | 230 | Heavy Duty | 30, 177, 388 |
| Frequency Detection 4 Example with Positive L3-04 Value | 230 | Heavy Duty Ratings | 388 |
| Frequency Gain at KEB Start | 255 | High Current Alarm Selection | 273 |
| Frequency Reduction Rate during Overheat | | High Frequency Injection | 283 |
| Pre-Alarm | 270, 439 | High Frequency Injection during Overexcitation Deceleration | 278 |
| Frequency Reference | 180, 447 | High Performance Operation Using OLV or CLV | 100 |
| Frequency Reference at Previous Fault | 449 | High Slip Braking | 276 |
| Frequency Reference at Reference Loss | 263, 436 | High Slip Braking Current Limit | 277 |
| Frequency Reference Bias | 186 | High Slip Braking Deceleration Frequency Width | 276 |
| Frequency Reference Bias (Up/Down 2) | 452 | High Slip Braking Dwell Time at Stop | 277 |
| Frequency Reference Bias Accel/Decel | 185 | High Slip Braking oL | 302 |
| Frequency Reference Bias Lower Limit | 187 | High Slip Braking Overload Time | 277 |
| Frequency Reference Bias Operation Mode Selection | 186 | High Slip Suppression Current Level | 278 |
| Frequency Reference Bias Step | 185 | High-slip Braking | 315 |
| Frequency Reference Bias Upper Limit | 187 | High-Slip Braking Current Limit | 440 |
| Frequency Reference from MEMOBUS/Modbus Comm | 451 | High-Slip Braking Deceleration Frequency Width | 440 |
| Frequency Reference Hold | 183 | High-Slip Braking Dwell Time at Stop | 440 |
| Frequency Reference Hold Function Selection | 183 | High-slip Braking oL | 315 |
| Frequency Reference Loss Detection Selection | 262, 436 | High-Slip Braking Overload Time | 315, 440 |
| Frequency Reference Lower Limit | 182 | High-Slip Suppression Current Level | 440 |
| Frequency Reference Monitor Content During PID | 160 | Hoist Application | 105 |
| Frequency Reference Selection | 401 | HSB | 276 |
| Frequency Reference Selection 1 | 136, 337 | Humidity | 40 |
| Frequency Reference Selection 2 | 143 | Hunting Prevention | 275 |
| Frequency Reference Setting / Decimal Display | 442 | Hunting Prevention Gain | 296 |
| Frequency Reference Setting and User-Set Display | 442 | Hunting Prevention Gain Setting | 275, 439 |
| Frequency Reference Setting Hierarchy | 180 | Hunting Prevention Gain while in Reverse | 275, 440 |
| Frequency Reference Setting Method Selection | 286, 443 | Hunting Prevention Selection | 275, 439 |
| Frequency Reference Source Selection | 451 | Hunting Prevention Time Constant | 275, 439 |
| Frequency Reference Upper Limit | 182 | HVAC Fan Application | 104 |
| Frequency Setting Resolution | 391 | I | |
| Frequency Setting Signal | 391 | I Control | 152 |
| Front Cover | 32, 33, 34 | iFEr | 332 |
| Front Cover Screw | 32, 33, 34 | IG | 73 |
| Function Code | 487 | IGBT Maintenance | 450 |
| Function Key (F1, F2) | 87 | IGBT Maintenance Setting | 289, 443 |
| Function Key 1 (F1) | 88 | IGBT Maintenance Time (50%) | 322 |
| Function Key 2 (F2) | 88 | IGBT Maintenance Time (90%) | 323 |
| Functions for Terminals S1 to S8 | 214 | Induced Noise | 383 |
| Fuse | 385 | Induced Voltage Constant Unit Selection | 118 |
| G | | Induction Voltage Error | 330 |
| General Safety Information | 17 | Inertia Detection Error | 330 |
| GF | 301, 310 | Inertia Tuning | 110 |
| Ground Fault | 301, 310 | Inertia Tuning Frequency Reference | 119 |
| Ground Terminal | 35 | Inertia Tuning Reference Amplitude | 119 |
| Ground Wiring | 71 | Initial Operation | 98 |
| H | | Initial Rotor Position Detection Selection | 281 |
| H1 | 72 | Initial Rotor Position Estimation Current | 281 |
| H1 Multi-Function Digital Input Selections | 424 | Initialization | 130 |
| H1/H2 Sink/Source Selection | 76 | Initialization required | 325 |
| H2 | 72 | Initialize Parameters | 124, 131 |
| H3 Multi-Function Analog Input Settings | 431 | Input Current | 389, 390 |
| Hbb | 303, 321 | Input Fuses | 385 |
| HbbF | 303, 321 | Input Phase Loss | 302, 316 |
| | | Input Phase Loss Protection Selection | 270, 438 |

| | |
|--|---------------|
| Input Power | 389, 390 |
| Input Pulse Monitor | 449 |
| Input Terminal Status | 447 |
| Input Terminal Status at Previous Fault | 449 |
| Input Terminals | 97 |
| Input Voltage Setting | 194 |
| Inrush Prevention Circuit Fault | 318 |
| Inrush Prevention Relay Maintenance Setting | 443 |
| Inspection | 347, 348 |
| Installation Environment | 40 |
| Installation Method Selection | 273 |
| Installation Orientation | 40 |
| Installation Orientation and Spacing | 40 |
| Installation Spacing | 41 |
| Installing a Braking Resistor Unit: LKEB type | 379 |
| Installing a Braking Resistor: ERF type | 379 |
| Installing a Braking Unit: CDBR Type | 380 |
| Installing a Leakage Breaker | 382 |
| Installing a Molded Case Circuit Breaker (MCCB) | 381 |
| Installing a Motor Thermal Overload (oL) Relay on the Drive Output | 386 |
| Installing Other Types of Braking Resistors | 380 |
| Installing Peripheral Devices | 379 |
| Installing the Cooling Fan | 354, 356, 362 |
| Insulation Barrier | 66 |
| Insulation Cap | 65 |
| Integral Limit Setting | 155 |
| Integral Operation during Accel/Decel | 175 |
| Integral Operation during Accel/Decel for Motor 2 | 176 |
| Integral Time Setting (I) | 155 |
| Interlock Circuit Example | 82 |
| Internal Braking Transistor Protection | 274 |
| Internal Dynamic Braking Resistor Protection Selection (ERF type) | 269, 438 |
| Inversion Detection | 308 |
| Inversion Prevention Detection | 308 |
| IP00 Enclosure | 31 |
| IP20/NEMA Type 1 Enclosure | 31 |
| J | |
| Jog Frequency Reference | 180 |
| Jump Frequency | 182, 299 |
| Jump Frequency Width | 182 |
| Jumper S3 | 76 |
| Jumper S5 | 76 |
| Jumper S5 Settings | 79 |
| K | |
| KEB Acceleration Time | 254, 434 |
| KEB Deceleration Time | 254, 434 |
| KEB Detection Time | 255 |
| KEB Function Related Adjustments | 253 |
| KEB Method Selection | 255 |
| KEB Operation Using a KEB Input | 250 |
| KEB Operation Using L2-02 and KEB Input | 251 |
| KEB Operation Using L2-02, Without KEB Input | 251 |
| KEB Operation Using L2-10 and KEB Input | 252 |
| KEB Operation Using L2-10, Without KEB Input | 252 |
| KEB Operation Wiring Example | 253 |
| KEB Ride-Thru End Detection | 251 |
| KEB Ride-Thru Function | 249 |
| KEB Ride-Thru Start | 250 |
| KEB Start Output Frequency Reduction | 435 |
| Keys and Displays on the Digital Operator | 87 |
| kWh | 451 |
| kWh Monitor Initial Value Selection | 444 |
| kWh Monitor Initialization | 289 |
| kWh, Lower 4 Digits | 451 |

| | |
|---|--------------------|
| kWh, Upper 5 Digits | 451 |
| L | |
| L Protection Function | 434 |
| Language Selection | 130 |
| LCD Display | 88 |
| LCD Operator | 375 |
| Leakage Inductance Alarm | 328 |
| Leakage Inductance Error | 330 |
| LED Check | 450 |
| LF | 301, 310 |
| LF2 | 301, 310 |
| Line Driver PG | 375 |
| Line-to-Line Motor Resistance Online Tuning | 441 |
| Line-to-Line Resistance Error | 304, 329 |
| LO/RE | 89, 96, 121 |
| LO/RE (LOCAL/REMOTE) Key Function Selection | 285 |
| LO/RE LED | 89 |
| LO/RE Light | 87 |
| Load Current | 441 |
| Load Falls When Brake is Applied | 339 |
| Load Inertia | 283, 442 |
| Load Inertia Ratio | 175, 261, 315, 436 |
| LOCAL | 96 |
| LOCAL/REMOTE Key Function Selection | 443 |
| LOCAL/REMOTE Run Selection | 142 |
| Locations of Jumpers and Switches on the Terminal Board | 76 |
| Loopback Test | 489 |
| Loss of Reference Function | 263 |
| Low Voltage Directive | 510 |
| Low Voltage Wiring | 516 |
| Low Voltage Wiring for Control Circuit Terminals | 516 |
| LT-1 | 321 |
| LT-2 | 322 |
| LT-3 | 322 |
| LT-4 | 322 |
| M | |
| M1 | 73 |
| M2 | 73 |
| M3 | 73 |
| M4 | 73 |
| M5 | 73 |
| M6 | 73 |
| MA | 73 |
| Magnetic Flux Compensation Value | 145 |
| Main Circuit Connection Diagram | 56, 71 |
| Main Circuit Terminal and Motor Wiring | 70 |
| Main Circuit Terminal Block Configuration | 58 |
| Main Circuit Terminal Functions | 65 |
| Main Circuit Terminal Wiring | 71, 515 |
| Main Circuit Wiring | 65 |
| Main Power Circuit Voltage Adjustment Gain | 435 |
| Maintenance | 349, 350 |
| Maintenance Alarms | 349 |
| Maintenance Monitor Settings | 288 |
| Maintenance Monitors | 291, 450 |
| Master Speed Reference Lower Limit | 182 |
| Max. Motor Capacity | 30 |
| Maximum Applicable Motor Capacity | 389, 390 |
| Maximum Output Frequency | 197, 389, 390 |
| Maximum Output Voltage | 389, 390 |
| Maximum Voltage | 197 |
| MB | 73 |
| MC | 73 |
| Mechanical Installation | 37 |
| Mechanical Weakening Detection | 266 |
| Mechanical Weakening Detection 1 | 302, 303, 314, 323 |

| | | | |
|--|--------------------|--|---------------|
| Mechanical Weakening Detection 2 | 317 | Motor 2 Max Output Frequency | 201 |
| Mechanical Weakening Detection Operation | 266, 437 | Motor 2 Max Voltage | 201 |
| Mechanical Weakening Detection Speed Level | 267, 437 | Motor 2 Mechanical Loss | 203 |
| Mechanical Weakening Detection Start Time | 267, 437 | Motor 2 Mid Output Frequency | 201 |
| Mechanical Weakening Detection Time | 267, 437 | Motor 2 Mid Output Frequency 2 | 201 |
| MECHATROLINK Parameters | 213 | Motor 2 Mid Output Frequency Voltage | 201 |
| MEMOBUS/Modbus Comm. Test Mode Complete | 323 | Motor 2 Mid Output Frequency Voltage 2 | 201 |
| MEMOBUS/Modbus Communication | 73 | Motor 2 Minimum Output Frequency | 201 |
| MEMOBUS/Modbus Communication | | Motor 2 Minimum Output Frequency Voltage | 201 |
| Error | 301, 302, 306, 320 | Motor 2 Motor Iron-Core Saturation Coefficient 1 | 203 |
| MEMOBUS/Modbus Communication Test Mode Error | 323 | Motor 2 Motor Iron-Core Saturation Coefficient 2 | 203 |
| MEMOBUS/Modbus Communications | 477 | Motor 2 Motor Poles | 203 |
| MEMOBUS/Modbus Communications Reference | 451 | Motor 2 Parameters | 202 |
| MEMOBUS/Modbus Data Table | 491 | Motor 2 Rated Current | 202 |
| MEMOBUS/Modbus Error Code | 448 | Motor 2 Rated No-Load Current | 202 |
| MEMOBUS/Modbus Error Codes | 504 | Motor 2 Rated Power | 204 |
| MEMOBUS/Modbus Setup Parameters | 482 | Motor 2 Rated Slip | 202 |
| MEMOBUS/Modbus Specifications | 479 | Motor 2 Slip Compensation Gain | 169 |
| MEMOBUS/Modbus Switch Settings | 80 | Motor 2 Slip Compensation Limit | 169 |
| MEMOBUS/Modbus Termination | 80 | Motor 2 Slip Compensation Primary Delay Time | 169 |
| MEMOBUS/Modbus Test Mode Complete | 303 | Motor 2 Slip Compensation Selection during Regeneration | 170 |
| Menu Structure for Digital Operator | 90 | Motor 2 Torque Compensation Gain | 171 |
| Message Format | 487 | Motor Acceleration Time | 279 |
| Mid Output Voltage A | 296, 297 | Motor Acceleration Time for Inertia Calculations | 261, 436 |
| Middle Output Frequency | 197 | Motor Base Frequency | 113, 115, 444 |
| Middle Output Frequency 2 | 197 | Motor Base Speed | 115, 444 |
| Middle Output Frequency Voltage | 197 | Motor Code Selection | 204, 463 |
| Middle Output Frequency Voltage 2 | 197 | Motor Data Error | 304, 329 |
| Minimum KEB Time | 255 | Motor d-Axis Current at Previous Fault | 449 |
| Minimum Output Frequency | 197 | Motor d-Axis Inductance | 205 |
| Minimum Output Frequency Voltage | 197 | Motor Direction at Power Up when Using Operator | 287, 443 |
| Minimum Output Voltage | 296, 297 | Motor Direction Error | 329 |
| Minimum Wait Time for Sending Messages | 486 | Motor Does Not Rotate | 337 |
| Minor Alarms | 302 | Motor Excitation Current (Id) | 452 |
| Minor Fault | 329 | Motor Hunting and Oscillation Control Parameters | 299 |
| Minor Fault and Alarm Displays | 302 | Motor Induction Voltage Constant 1 | 205 |
| Minor Faults | 302 | Motor Induction Voltage Constant 2 | 205 |
| Minor Faults and Alarms | 300, 302 | Motor Inertia | 119, 175 |
| Model Number and Nameplate Check | 29 | Motor Iron Core Saturation Coefficient Error | 304 |
| Model, Voltage Class, Capacity Mismatch | 332 | Motor Iron Loss | 116, 445 |
| Modes | 91 | Motor Iron Loss for Torque Compensation | 200 |
| Momentary Overcurrent Protection | 391 | Motor Iron-Core Saturation Coefficient | 328 |
| Momentary Power Loss Minimum Baseblock Time | 254, 434 | Motor Iron-Core Saturation Coefficient 1 | 199 |
| Momentary Power Loss Operation Selection | 249, 434 | Motor Iron-Core Saturation Coefficient 2 | 199 |
| Momentary Power Loss Ride-Thru | 249, 391 | Motor is Too Hot | 338 |
| Momentary Power Loss Ride-Thru Time | 254, 434 | Motor Leakage Inductance | 199 |
| Momentary Power Loss Voltage Recovery Ramp Time | 254, 434 | Motor Line-to-Line Resistance | 199 |
| Monitor Output | 73 | Motor Mechanical Loss | 200 |
| Monitor Parameters | 291, 447 | Motor No-Load Current | 116, 199 |
| Most Recent Fault | 450 | Motor Overheat | 303, 322 |
| Motor 1 Parameters | 198 | Motor Overheat 1 (PTC input) | 302 |
| Motor 1/Motor 2 Selection | 114 | Motor Overheat 2 (PTC input) | 302 |
| Motor 2 ASR Gain Switching Frequency | 176 | Motor Overheat Alarm (PTC Input) | 313 |
| Motor 2 ASR Integral Limit | 176 | Motor Overheat Alarm Operation Selection | 248, 434 |
| Motor 2 ASR Integral Time | 175 | Motor Overheat Fault (PTC Input) | 313 |
| Motor 2 ASR Limit | 176 | Motor Overheat Fault Operation Selection | 248, 434 |
| Motor 2 ASR Primary Delay Time Constant | 176 | Motor Overload | 302, 314 |
| Motor 2 ASR Proportional Gain | 175 | Motor Overload Estimate (oL1) | 451 |
| Motor 2 Base Frequency | 201 | Motor Overload Protection Selection | 244, 434, 516 |
| Motor 2 Base Voltage | 201 | Motor Overload Protection Time | 246, 434, 517 |
| Motor 2 Control Mode Selection | 201 | Motor Parameters | 194 |
| Motor 2 Inertia | 177 | Motor Performance Fine-Tuning | 296 |
| Motor 2 Iron Loss | 203 | Motor Poles | 113 |
| Motor 2 Leakage Inductance | 203 | Motor Produces Insufficient Torque | 340 |
| Motor 2 Line-to-Line Resistance | 203 | Motor Protection | 244 |
| Motor 2 Load Inertia Ratio | 177 | Motor Protection Function | 314 |

| | | | |
|---|------------------------------|---|--------------------|
| Motor Protection Using a Positive Temperature | | Noise From the Drive or Output Lines When the Drive | |
| Coefficient | 247 | is Powered On | 340 |
| Motor PTC Characteristics | 247 | No-Load Current Alarm | 328 |
| Motor Pull Out or Step Out Detection | 317 | No-Load Current Error | 304, 329 |
| Motor q-Axis Current at Previous Fault | 449 | No-Load Operation | 121 |
| Motor q-Axis Inductance | 205 | No-Load Operation Test Run | 121 |
| Motor Rated Current | 113, 115, 198, 204, 444, 516 | Normal Duty | 30, 177, 388 |
| Motor Rated Power | 115, 200, 204, 444 | Normal Duty Ratings | 388 |
| Motor Rated Slip | 116, 198 | Notes on Controlling the Brake when Using the Hoist | |
| Motor Rated Voltage | 113, 115, 444 | Application Preset | 106 |
| Motor Rotates After the Drive Output is Shut Off | 341 | Notes on Inertia Tuning and ASR Gain Auto-Tuning | 112 |
| Motor Rotates Faster Than the Frequency Reference | 339 | Notes on Motor Operation | 21 |
| Motor Rotates in One Direction Only | 338 | Notes on Rotational Auto-Tuning | 111 |
| Motor Secondary Current (Iq) | 452 | Notes on Stationary Auto-Tuning | 111 |
| Motor Selection | 219 | nSE | 301 |
| Motor Selection 1/2 | 444 | Number of Auto Restart Attempts | 264, 437 |
| Motor Speed | 447 | Number of Motor Poles | 115, 199, 204, 444 |
| Motor Speed at Previous Fault | 449 | Number of PM Motor Poles | 118 |
| Motor Speed Error | 304 | Number of Run Commands | 450 |
| Motor Speed Error 2 | 330 | Number of Run Commands Counter Initialization | 289 |
| Motor Speed Fault | 330 | Number of Speed Search Restarts | 151 |
| Motor Stalls During Acceleration or With Large Loads | 338 | O | |
| Motor Stator Resistance | 205 | oC | 301, 311 |
| Motor Switch during Run | 323 | oFA00 | 301, 311 |
| Motor Temperature Input Filter Time | 248, 434 | oFA01 | 301, 311 |
| Motor Wiring | 70 | oFA03 to oFA06 | 311 |
| Mounting Hole | 32, 33, 34 | oFA10 | 311 |
| MP | 73 | oFA11 | 311 |
| Multi-Function Analog Input Selection Error | 304, 326 | oFA12 to oFA17 | 311 |
| Multi-Function Analog Input Terminal Settings | 237 | oFA30 to oFA43 | 301, 311 |
| Multi-Function Analog Inputs | 234 | oFb00 | 312 |
| Multi-Function Analog Output Terminal AM Bias | 240 | oFb01 | 312 |
| Multi-Function Analog Output Terminal AM Gain | 240 | oFb02 | 312 |
| Multi-Function Analog Output Terminal AM Monitor Selection | 240 | oFb03 to oFb11 | 312 |
| Multi-Function Analog Output Terminal AM Signal Level Selection | 241 | oFb12 to oFb17 | 312 |
| Multi-Function Analog Output Terminal FM Bias | 240 | oFb30 to oFb43 | 312 |
| Multi-Function Analog Output Terminal FM Gain | 240 | oFC00 | 312 |
| Multi-Function Analog Output Terminal FM Monitor Selection | 240 | oFC01 | 312 |
| Multi-Function Analog Output Terminal FM Signal Level Selection | 241 | oFC02 | 312 |
| Multi-Function Analog Outputs | 239 | oFC03 to oFC11 | 313 |
| Multi-Function Digital Input Terminal Settings | 214 | oFC12 to oFC17 | 313 |
| Multi-Function Digital Inputs | 72, 214 | oFC30 to oFC43 | 313 |
| Multi-Function Digital Output | 73 | Offset Frequency | 193, 452 |
| Multi-Function Digital Output Terminal Settings | 225 | oH | 302, 303, 313, 322 |
| Multi-Function Digital Outputs | 224 | oH1 | 302, 313 |
| Multi-Function Input Selection Error | 325 | oH2 | 303, 322 |
| Multi-Function Input Setting Error | 304 | oH3 | 302, 303, 313, 322 |
| Multiple Drive Installation | 41 | oH4 | 302, 313 |
| Multiple Drive Wiring | 71 | oL1 | 302, 314 |
| Multi-Step Speed Selection | 180 | oL2 | 302, 314, 341 |
| N | | oL2 Characteristics Selection at Low Speeds | 272, 438 |
| n Advanced Performance Set Up | 439 | oL3 | 302, 303, 314, 322 |
| n1 Hunting Prevention | 439 | oL4 | 302, 303, 314, 322 |
| n2 | 296 | oL5 | 302, 303, 314, 323 |
| Nameplate | 29 | oL7 | 302, 315 |
| Navigating the Drive and Programming Modes | 91 | Online Tuning Gain | 281 |
| ND | 177 | Online Tuning Selection | 280 |
| ndAT | 332 | oPE | 325 |
| NEMA 1 Kit | 375 | oPE Fault Parameter | 325, 448 |
| NetRef/ComRef Function Selection | 212 | oPE01 | 304, 325 |
| Network Termination | 481 | oPE02 | 304, 325 |
| Noise Filter | 383 | oPE03 | 304, 325 |
| | | oPE04 | 304, 325 |
| | | oPE05 | 304, 326 |
| | | oPE06 | 304, 326 |
| | | oPE07 | 304, 326 |

| | | | |
|---|------------------------|--|--------------------|
| oPE08 | 304, 326 | Output Power | 447 |
| oPE09 | 304, 326 | Output Power at Previous Fault | 449 |
| oPE10 | 304, 327 | Output Terminal Status | 448 |
| oPE11 | 304, 327 | Output Terminal Status at Previous Fault | 449 |
| oPE13 | 304, 327 | Output Voltage at Previous Fault | 449 |
| oPE15 | 327 | Output Voltage Detection Fault | 318, 324 |
| oPE18 | 304 | Output Voltage Limit | 283 |
| Open Loop Vector Control | 28, 297, 306, 339, 340 | Output Voltage Limit Operation Selection | 169 |
| Open Loop Vector Control for IPM Motors | 28 | Output Voltage Reference | 447 |
| Open Loop Vector Control for PM Motors | 28 | Output Voltage Reference (Vd) | 452 |
| Open Loop Vector Control Mode Tuning | 296 | Output Voltage Reference (Vq) | 452 |
| Open Loop Vector Control Mode Tuning Parameters | 297, 298 | ov | 302, 303, 315, 323 |
| Open Loop Vector Control Mode Tuning Parameters | 296, 297, 298 | ov Suppression Function Selection | 435 |
| Operating with the Load Connected | 123 | Overcurrent | 301, 311 |
| Operation Error Displays | 304 | Overcurrent Detection Gain | 272, 439 |
| Operation Errors | 300, 304 | Overexcitation Deceleration | 277 |
| Operation Selection at Deviation (dEv) | 207 | Overexcitation Deceleration Gain | 278, 311, 440 |
| Operation Selection at Overspeed (oS) | 206 | Overexcitation Operation Selection | 278, 440 |
| Operation Selection at PG Open Circuit (PGo) | 206 | Overheat 1 (Heatsink Overheat) | 313 |
| Operation Selection when Digital Operator is Disconnected | 287, 443 | Overheat Alarm Level | 269, 438 |
| Operation Status Monitors | 291, 447, 452 | Overheat Pre-Alarm Operation Selection | 269, 438 |
| Operation with Permanent Magnet Motors | 101 | Overload Protection | 391 |
| Operator Connection Fault | 302 | Overload Tolerance | 389, 390 |
| Operator Programming Errors | 325 | Overspeed (for Control Mode with PG) | 315, 323 |
| Operator Related Parameters | 442 | Overspeed (for Simple V/f with PG) | 302, 303 |
| Operator Related Settings | 284 | Overspeed Detection Delay Time | 206 |
| oPr | 302, 315 | Overspeed Detection Level | 206 |
| Option Card Communications Error | 302 | Overtorque 1 | 303, 322 |
| Option Card Connection Error at Option Port CN5-A | 311 | Overtorque 2 | 303, 322 |
| Option Card Connection Error at Option Port CN5-C | 312 | Overtorque Detection 1 | 302, 314 |
| Option card connector (CN5-A) | 35 | Overtorque Detection 2 | 302, 314 |
| Option card connector (CN5-B) | 35 | Overtorque Detection Operation | 265 |
| Option card connector (CN5-C) | 35 | Overvoltage | 302, 303, 315 |
| Option card error occurred at option port CN5-A | 311 | Overvoltage Protection | 391 |
| Option card error occurred at option port CN5-B | 312 | Overvoltage Suppression Function | 260 |
| Option card error occurred at option port CN5-C | 313 | Overvoltage Suppression Function Selection | 260 |
| Option Card External Fault | 301, 309, 320 | P | |
| Option Card Fault at Option Port CN5-A | 311 | P Control | 152 |
| Option Card Fault at Option Port CN5-B | 312 | Parameter Access Level | 124 |
| Option Card Fault at Option Port CN5-C | 312 | Parameter Range Setting Error | 325 |
| Option Card Installation | 377 | Parameter Selection Error | 304, 326 |
| Option Communication Error | 301, 306, 319 | Parameter Setting Range Error | 304 |
| Option Frequency Reference | 451 | Parameter Settings | 92 |
| Option Settings | 206 | Parameters for KEB Ride-Thru | 253 |
| Option Unit Fault | 301 | Parameters that Change with the Motor Code Selection | 463 |
| Optional 24 V DC Power Supply Connector Cover | 32 | Parameters to Minimize Motor Hunting and Oscillation | 299 |
| Optional 24 V DC power supply connector cover | 33, 34 | PASS | 303, 323 |
| Options | 373 | Password | 124, 132 |
| oS | 302, 303, 315, 323 | Password Setting | 132 |
| Oscillation or Hunting | 340 | Password Settings | 124 |
| Output Current | 447 | Peak Hold Current | 451 |
| Output Current 1 During Speed Search | 150 | Peak Hold Output Frequency | 451 |
| Output Current at Previous Fault | 449 | Performance Life | 349 |
| Output Current Imbalance | 310 | Performance Life Monitors Maintenance Monitors | 349 |
| Output Frequency | 447 | Periodic Inspection | 348 |
| Output Frequency after Soft Start | 448 | Periodic Maintenance | 349 |
| Output Frequency at Previous Fault | 449 | Peripheral Devices | 373 |
| Output Frequency is not as High as Frequency Reference | 341 | Permanent Magnet Motor Control | 101 |
| Output Frequency Reduction During Overheat Alarm | 270 | PF | 302, 316 |
| Output Frequency Resolution | 391 | PG 1 Division Rate for PG Pulse Monitor | 207 |
| Output Ground Fault Detection Selection | 271, 438 | PG 1 Gear Teeth 1 | 207 |
| Output of speed control (ASR) (for Simple V/f PG) | 452 | PG 1 Gear Teeth 2 | 207 |
| Output Phase Loss | 301, 310 | PG 1 Pulses Per Revolution | 206 |
| Output Phase Loss Protection | 438 | PG 1 Rotation Selection | 207 |
| Output Phase Loss Protection Selection | 270 | PG 1 Signal Selection | 208 |
| | | PG 2 Division Rate for PG Pulse Monitor | 207 |

| | | | |
|--|--------------------|---|---------------|
| PG 2 Gear Teeth 1 | 207 | PM Motor Code Selection | 117 |
| PG 2 Gear Teeth 2 | 207 | PM Motor Control Tuning | 281 |
| PG 2 Pulses Per Revolution | 206 | PM Motor d-Axis Inductance | 118 |
| PG 2 Rotation Selection | 207 | PM Motor Induced Voltage Constant | 118 |
| PG 2 Signal Selection | 208 | PM Motor Parameter Settings | 110 |
| PG Disconnect (for any control modes using a PG option card) | 316 | PM Motor q-Axis Inductance | 118 |
| PG Disconnect (for Control Mode with PG) | 323 | PM Motor Rated Current | 117 |
| PG Disconnect (for Simple V/f with PG) | 302, 303 | PM Motor Rated Power | 117 |
| PG Hardware Fault (detected when using a PG-X3 option card) | 316, 323 | PM Motor Rated Voltage | 117 |
| PG Number of Pulses Per Revolution | 116 | PM Motor Settings | 204 |
| PG Number of Pulses Per Revolution for PM Motor Tuning | 119 | PM Motor Stator Resistance | 118 |
| PG Open-Circuit Detection Time | 206 | PM Motor Type | 117 |
| PG Option Card Disconnection Detection 1 | 208 | PM Speed Feedback Detection Suppression Gain | 315 |
| PG Option Card Disconnection Detection 2 | 208 | PM Stationary Auto-Tuning | 110 |
| PG Option Card Port for Motor 2 Selection | 208 | PM Stationary Auto-Tuning for Stator Resistance | 110 |
| PG Speed Control Card Settings | 206 | Pole Attraction Current | 281 |
| PG-B3 | 375 | Power Detection Filter Time | 163 |
| PG-B3 Settings | 206 | Power Ratings (Three-Phase 200 V Class) | 389 |
| PGo | 302, 303, 316, 323 | Power Ratings (Three-Phase 400 V Class) | 390 |
| PGoH | 316, 323 | Powerboard Failure | 307 |
| PG-X3 | 375 | Powering Up the Drive | 102 |
| PG-X3 Settings | 206 | Predefined V/f Patterns | 194 |
| Phase Order Selection | 143 | Preface | 16 |
| PID Accel/Decel Time | 159 | Preparing the Ends of Shielded Cables | 75 |
| PID Block Diagram | 154 | Preset Reference Timing Diagram | 181 |
| PID Control | 152 | Previous Fault | 449 |
| PID Control Selection Error | 304 | PROFIBUS-DP Parameters | 211, 213 |
| PID Control Selection Fault | 326 | Programming Mode | 91, 92 |
| PID Feedback | 451 | Proportional Gain Setting (P) | 155 |
| PID Feedback High Detection Level | 158 | Protecting cover to prevent miswiring | 35 |
| PID Feedback High Detection Time | 158 | PTC | 247 |
| PID Feedback Input Methods | 153 | Pull-In Current | 282, 441 |
| PID Feedback Loss | 301, 303, 310, 321 | Pull-In Current Compensation Time Constant | 282, 315, 441 |
| PID Feedback Loss Detection Selection | 157 | Pull-In Current during Accel/Decel for PM | 317 |
| PID Feedback Low Detection Level | 158 | Pull-In Current Level for PM Motor Tuning | 118 |
| PID Feedback Low Detection Time | 158 | Pull-Out Detection | 302 |
| PID Fine Tuning | 160 | Pulse Monitor Selection Error | 327 |
| PID Function Setting | 155 | Pulse Output Connection Using External Voltage Supply | 78 |
| PID Input (feedback) | 451 | Pulse Output Connection Using Internal Voltage Supply | 78 |
| PID Input Limit | 160 | Pulse Train Input Bias | 243 |
| PID Monitors | 291, 451 | Pulse Train Input Filter Time | 243 |
| PID Offset Adjustment | 156 | Pulse Train Input Gain | 243 |
| PID Output | 452 | Pulse Train Input Minimum Frequency | 243 |
| PID Output Fault | 340 | Pulse Train Input Scaling | 242 |
| PID Output Gain Setting | 156 | Pulse Train Input Terminal RP Function Selection | 241 |
| PID Output Level Selection | 156 | Pulse Train Input/Output | 241 |
| PID Output Limit | 155 | Pulse Train Monitor Scaling | 243 |
| PID Output Lower Limit | 160 | Pulse Train Monitor Selection | 243 |
| PID Output Reverse Selection | 156 | | |
| PID Primary Delay Time Constant | 156 | Q | |
| PID Setpoint | 452 | q-axis ACR Output | 452 |
| PID Setpoint Display Digits | 160 | | |
| PID Setpoint Input Methods | 153 | R | |
| PID Setpoint Scaling | 159 | R- | 73 |
| PID Setpoint Selection | 159 | R+ | 73 |
| PID Setpoint User Display | 160 | R/L1 | 65 |
| PID Setpoint Value | 159 | Radiated Noise | 383 |
| PID Sleep | 158 | Ramp to stop | 138 |
| PID Sleep Delay Time | 159 | Rated Current Depending on Carrier Frequency | 179 |
| PID Sleep Function Start Level | 158 | Rated Current Setting Alarm | 304, 328 |
| PM Inductance Error | 330 | Rated Output Capacity | 389, 390 |
| PM Motor Auto-Tuning Mode Selection | 116 | Rated Output Current | 389, 390 |
| PM Motor Base Frequency | 117 | Rated Slip Error | 304, 329 |
| PM Motor Base Speed | 118 | Rated Voltage, Rated Frequency | 389, 390 |
| | | rdEr | 333 |
| | | READ | 287 |
| | | rEAd | 333 |
| | | Reading Drive MEMOBUS/Modbus Register Contents | 489 |

| | | | |
|---|----------|---|----------|
| Reading Parameter Settings | 333 | S5 | 72 |
| Reattaching the Digital Operator | 61 | S6 | 72 |
| Reattaching the Front Cover | 63 | S7 | 72 |
| Reattaching the Terminal Cover on an IP00 Enclosure Drive | 60 | S8 | 72 |
| Reattaching the Terminal Cover on an IP20/NEMA Type 1 Enclosure Drive | 59 | Safe Disable Circuit | 518 |
| Reattaching the Top Protective Cover | 64 | Safe Disable Function Wiring Example (Source Mode) | 519 |
| REMOTE | 96 | Safe Disable Input Function | 518 |
| Removing the Cooling Fan (2A0110) | 355 | Safe Disable Input Sink / Source / External Power Supply Selection | 77 |
| Removing the Cooling Fan (2A0169, 2A0211, 4A0139, 4A0165) | 359 | Safe Disable Inputs | 72 |
| Removing the Digital Operator | 61 | Safe Disable Monitor Output Function and Digital Operator Display | 520 |
| Removing the Fan Cover | 353 | Safe Disable Signal Input | 303, 321 |
| Removing the Front Cover | 61 | Safety Hazard Definitions | 17 |
| Removing the Terminal Cover on an IP00 Enclosure Drive | 60 | Safety Information | 17 |
| Removing the Terminal Cover on an IP20/NEMA Type 1 Enclosure Drive | 59 | Safety Input and EDM Terminal Status | 520 |
| Removing the Top Protective Cover | 64 | Safety Monitor Output | 73 |
| Removing Wires from the Terminal Board | 75 | Safety Standard | 391 |
| Replacement Parts | 349 | Save Disable Signal Input | 321 |
| Replacing the Drive | 370 | SC | 72 |
| Reset Communication Parameters | 212 | S-Curve Characteristics | 167, 299 |
| Resistance Tuning Error | 328 | SE | 303, 323 |
| Response Messages from Drive to Master | 486 | Search Operation Voltage Limit | 164 |
| Reverse Direction Output Example Time Chart | 231 | Self-diagnosing function of the serial communication interface circuits | 505 |
| Reverse Operation Selection | 140 | SER | 302, 316 |
| Reverse Prohibited Error | 330 | Serial Communication Terminals | 73 |
| Reverse Regenerative Torque Limit | 268, 438 | Serial Communication Transmission Error | 302, 319 |
| Reverse Torque Limit | 268, 438 | Serial Communications Cable Connection Terminals (TB5) | 480 |
| rF | 316 | Serviceable Parts | 369 |
| rH | 302, 316 | Setup Group | 95 |
| Rotational Auto-Tuning | 109, 111 | Setup Group Parameters | 96 |
| Rotational Auto-Tuning for V/f Control | 109 | Setup Mode | 95 |
| RP | 72 | Shielded Twisted-Pair Cables | 75 |
| rr | 302, 316 | Short Circuit Brake Time at Start | 146 |
| RS-422 Interface | 481 | Short Circuit Brake Time at Stop | 146 |
| RS-422/485 Termination Resistor | 76 | Short Circuit Braking Current | 146 |
| RS-485 Interface | 480 | Side-by-Side Installation | 41 |
| RTS Control Selection | 483 | Side-by-Side Mounting | 396 |
| Rubber Bushing | 32 | Side-by-Side Setup | 41 |
| rUn | 303, 323 | Simple Motor Setup Using V/f Control | 99 |
| Run Command at Power Up | 143 | Simple Positioning Stop | 140 |
| Run Command Input Error | 303 | Simplified Setup Using the Setup Group | 95 |
| Run Command Method Selection | 484 | Single Drive KEB Ride-Thru 1 | 250 |
| Run Command Selection | 337, 401 | Single Drive KEB Ride-Thru 2 | 250 |
| Run Command Selection 1 | 137 | Sink/source jumper S3 | 35 |
| Run Command Selection 2 | 143 | Sinking Mode (NPN) | 77 |
| Run Command Selection Error | 304 | Sinking/Sourcing Mode Selection for Safe Disable Inputs | 77 |
| Run command selection while in Programming Mode | 143 | Sinking/Sourcing Mode Switch for Digital Inputs | 77 |
| Run Command Source Selection | 451 | Slave Address | 487 |
| Run Command/Frequency Reference Source Selection Error | 326 | Slip Compensation | 167 |
| RUN LED | 89 | Slip Compensation Gain | 167, 297 |
| RUN LED and Drive Operation | 89 | Slip Compensation Limit | 168 |
| RUN LED Status and Meaning | 89 | Slip Compensation Primary Delay Time | 168, 297 |
| RUN Light | 87 | Slip Compensation Selection during Regeneration | 168 |
| S | | SN | 72 |
| S- | 73 | Soft Charge Bypass Relay Maintenance | 450 |
| S+ | 73 | Soft Charge Bypass Relay Maintenance Time | 322 |
| S/L2 | 65 | Soft Charge Circuit Fault | 302 |
| S1 | 72 | Soft CLA Selection | 439 |
| S2 | 72 | Soft Starter Speed Reference at Previous Fault | 449 |
| S3 | 72 | Software Current Limit Selection | 272 |
| S4 | 72 | Software No. (Flash) | 449 |
| | | Software No. (ROM) | 449 |
| | | Software version | 29 |
| | | Sourcing Mode (PNP) | 77 |

| | | | |
|--|---------------|---|-------------------------|
| SP | 72 | Storage Temperature | 40 |
| Space Between Drives (Side-by-Side Mounting) | 41 | SvE | 317 |
| Speed Agree 1 Time Chart | 226 | Swing PWM | 178, 388 |
| Speed Agree 2 Time Chart | 229 | Switches and Jumpers on the Terminal Board | 76 |
| Speed Agreement Detection Level | 262, 436 | Switching Between LOCAL and REMOTE | 96 |
| Speed Agreement Detection Level (+/-) | 262, 436 | Switching Between Torque and Speed Control | 190 |
| Speed Agreement Detection Selection | 263 | System KEB Ride-Thru 1 | 250 |
| Speed Agreement Detection Width | 262, 436 | System KEB Ride-Thru 2 | 250 |
| Speed Agreement Detection Width (+/-) | 262, 436 | T | |
| Speed Control Accuracy | 391 | T Motor Tuning | 444 |
| Speed Control Integral Time 1 | 315, 323 | T/L3 | 65 |
| Speed Control Loop Auto-Tuning | 110 | Target DC Bus Voltage for Overvoltage Suppression and Stall Prevention | 260 |
| Speed Control Proportional Gain 1 | 315, 323 | Task Complete | 332 |
| Speed Control Range | 391 | Temperature Derating | 395 |
| Speed Deviation (for Control Mode with PG) | 308 | Terminal A1 Bias Setting | 235 |
| Speed Deviation (when using a PG option card) | 320 | Terminal A1 Function Selection | 234 |
| Speed Estimation Type Speed Search | 147, 315 | Terminal A1 Gain Setting | 235 |
| Speed Feedback Detection Control (AFR) Tuning | 276 | Terminal A1 Signal Level Selection | 234 |
| Speed Feedback Detection Control (AFR) Gain | 276, 440 | Terminal A2 Bias Setting | 236 |
| Speed Feedback Detection Control (AFR) Time Constant 1 | 276, 440 | Terminal A2 Function Selection | 236 |
| Speed Feedback Detection Control (AFR) Time Constant 2 | 276, 440 | Terminal A2 Gain Setting | 236 |
| Speed Feedback Detection Control Gain | 282, 441 | Terminal A2 Input Signal Selection | 79 |
| Speed Feedback Detection Control Gain during ov Suppression | 283 | Terminal A2 Signal Level Selection | 236 |
| Speed Limit | 191 | Terminal A3 Analog/PTC Input Selection | 79 |
| Speed Limit Bias | 190, 192 | Terminal A3 Bias Setting | 236 |
| Speed Limit Selection | 191 | Terminal A3 Function Selection | 235 |
| Speed Limitation | 190 | Terminal A3 Gain Setting | 236 |
| Speed Response | 391 | Terminal A3 Signal Level Selection | 235 |
| Speed Search | 146, 316 | Terminal AM/FM Signal Selection | 79 |
| Speed Search Deactivation Current | 149 | Terminal Block Configuration | 57 |
| Speed Search Deceleration Time | 149 | Terminal Board | 32, 33, 34, 35, 369 |
| Speed Search Delay Time | 150 | Terminal Board Connection Error | 307 |
| Speed Search Detection Compensation Gain | 150 | Terminal Board Connector | 35 |
| Speed Search Estimation Type | 314 | Terminal Board Wiring Guide | 75 |
| Speed Search Method Selection | 151 | Terminal Connections for Communication | |
| Speed Search Restart Current Level | 150 | Self-Diagnostics | 505 |
| Speed Search Restart Detection Time | 151 | Terminal Cover | 32, 33, 59 |
| Speed Search Selection at Start | 149 | Terminal cover | 34 |
| Speed Search Wait Time | 151 | Terminal Cover 2 | 34 |
| Speed/Torque Control Switchover Time | 192 | Terminal Cover Screw | 32 |
| Stall Prevention | 255, 299, 315 | Terminal M1-M2 Function Selection | 224 |
| Stall Prevention Detection Time | 262 | Terminal M1-M2 Output Selection | 211 |
| Stall Prevention during Deceleration | 314 | Terminal M3-M4 Function Selection | 224, 383 |
| Stall Prevention Level during Acceleration | 257, 435 | Terminal M3-M4 Output Selection | 211 |
| Stall Prevention Level during Run | 259, 435 | Terminal M5-M6 Function Selection | 224 |
| Stall Prevention Limit during Acceleration | 257, 435 | Terminal P1-PC Output Selection | 211 |
| Stall Prevention Selection during Acceleration | 256, 435 | Terminal P2-PC Output Selection | 211 |
| Stall Prevention Selection during Deceleration | 258, 435 | Terminal P3-PC Output Selection | 211 |
| Stall Prevention Selection during Run | 259, 435 | Terminal P4-PC Output Selection | 211 |
| Standard Connection Diagram | 54 | Terminal P5-PC Output Selection | 211 |
| Starting Torque | 391 | Terminal P6-PC Output Selection | 211 |
| Start-Up Flowcharts | 98 | Terminal V1 Monitor Bias | 210 |
| Stationary Auto-Tuning | 112 | Terminal V1 Monitor Gain | 210 |
| Stationary Auto-Tuning 1 | 109 | Terminal V1 Monitor Selection | 210 |
| Stationary Auto-Tuning 2 | 109 | Terminal V1 Signal Level | 210 |
| Stationary Auto-Tuning for Line-to-Line Resistance | 109 | Terminal V2 Monitor Bias | 210 |
| Stator Resistance Error | 330 | Terminal V2 Monitor Gain | 210 |
| Status Display | 102 | Terminal V2 Monitor Selection | 210 |
| STo | 302, 317 | Terminal V2 Signal Level | 210 |
| STOP button Input | 304, 329 | Termination | 80 |
| STOP Key Function Selection | 286, 443 | Test Run | 111, 112, 113, 114, 121 |
| Stop Position Gain | 188 | Test Run Checklist | 126 |
| Stopping Method after Communication Error | 482 | Test Run with Load Connected | 123 |
| Stopping Method Selection | 138 | Tightening Torque | 66 |
| | | Timer Function Off-Delay Time | 151 |

| | | | |
|---|--------------------|--|----------------|
| Timer Function On-Delay Time | 151 | Undervoltage 3 (Soft-Charge Bypass Circuit Fault) | 318 |
| Too Many Speed Search Restarts | 302, 316 | Undervoltage Detection Level (Uv) | 434 |
| Top Protective Cover | 32, 64 | Undervoltage Detection Level (Uv1) | 254 |
| Top Protective Covers, Reattaching | 60 | Undervoltage Protection | 391 |
| Top Protective Covers, Removing | 59, 60 | Unexpected Noise from Connected Machinery | 340 |
| Torque Compensation | 170 | Unidirectional Speed Limit Bias | 192 |
| Torque Compensation at Forward Start | 171 | Unit Code | 286 |
| Torque Compensation at Reverse Start | 171 | Unit Selection for MEMOBUS/Modbus Register 0025H | 483 |
| Torque Compensation Gain | 170, 296 | Unstable Motor Speed when Using PM | 341 |
| Torque Compensation Primary Delay Time | 170, 296 | Up/Down 2 Function | 183 |
| Torque Compensation Primary Delay Time 2 | 171 | Up/Down 2 Operations | 223 |
| Torque Compensation Primary Delay Time Constant 1 | 297 | Up/Down Command Operation | 218 |
| Torque Compensation Primary Delay Time Constant 2 | 296 | Up/Down Frequency Reference Limit Selection | 187 |
| Torque Compensation Time Constant | 171 | USB Copy Unit | 125, 375 |
| Torque Control | 188 | USB Port (type-B) | 32 |
| Torque Control Block Diagram | 188 | USB port (type-B) | 32, 33, 34, 81 |
| Torque Control Input Value Selection | 188 | User Monitor Selection after Power Up | 284, 442 |
| Torque Control Reference Sources | 188 | User Parameter Automatic Selection | 124, 135, 400 |
| Torque Control Selection | 191 | User Parameter Default Value | 124, 286, 443 |
| Torque Control Setting Error | 327 | User Parameters | 124 |
| Torque Control Signal Polarity | 189 | User Parameters 1 to 32 | 124, 135, 400 |
| Torque Detection | 264 | User Set Speed Agree 1 Time Chart | 226 |
| Torque Detection Level 1 | 266, 437 | User Set Speed Agree 2 Example with a Positive L3-04 Value | 230 |
| Torque Detection Level 2 | 266, 437 | User-Set Display Units Decimal Display | 285 |
| Torque Detection Selection 1 | 265, 437 | User-Set Display Units Maximum Value | 285 |
| Torque Detection Selection 2 | 265, 437 | Using Braking Units in Parallel | 381 |
| Torque Detection Time 1 | 266, 437 | Using the Pulse Train Output | 78 |
| Torque Detection Time 2 | 266, 437 | Using the Safe Disable Function | 518 |
| Torque Limit | 267, 391 | Uv | 303, 324 |
| Torque Limit Control Method Selection during Accel/Decel | 268, 438 | Uv1 | 302, 317 |
| Torque Limit Integral Time Constant | 268, 438 | Uv2 | 302, 318 |
| Torque Limit Process at Start | 268 | Uv3 | 302, 318 |
| Torque Limits | 299 | V | |
| Torque Reference | 447 | -V | 72 |
| Torque Reference / Torque Limit Selection from Comm. Option | 212 | V/f Characteristics | 391 |
| Torque Reference at Previous Fault | 449 | V/f Control | 28 |
| Torque Reference Delay Time | 191 | V/f Control Mode Tuning | 296 |
| Torque Saturation Error | 330 | V/f Control Mode Tuning Parameters | 296 |
| Torque Specifications, Three Phase 200 V Class | 67 | V/f control using motor speed feedback | 28 |
| Torque Specifications, Three Phase 400 V Class | 68 | V/f Control with Simple Speed Feedback | 242 |
| Traveling Application | 108 | V/f Data Setting Error | 304, 327 |
| Troubleshooting | 293 | V/f Gain During Speed Search | 150 |
| Troubleshooting without Fault Display | 336 | V/f Pattern Default Values | 456 |
| TrPC | 323 | V/f Pattern Defaults | 456 |
| Tuning Errors | 300 | V/f Pattern Display Unit | 285 |
| Types of Alarms, Faults, and Errors | 300 | V/f Pattern for Motor 1 | 194 |
| Types of Auto-Tuning for Induction Motors | 109 | V/f Pattern for Motor 2 | 201 |
| Types of Auto-Tuning for Permanent Magnet Motors | 110 | V/f Pattern Selection | 194, 339 |
| U | | V/T2 | 65 |
| U Monitors | 447 | vAEr | 333 |
| U/T1 | 65 | VERIFY | 287 |
| U2, U3 Initialization | 289, 443 | Verify Menu | 94 |
| UL Standards | 515 | Verifying Parameter Changes | 94 |
| UL Standards Compliance | 515 | vFyE | 333 |
| UL3 | 302, 303, 317, 324 | voF | 318, 324 |
| UL4 | 302, 303, 317, 324 | Voltage Class, Capacity Mismatch | 333 |
| UL5 | 303, 317 | Voltage Error Compensation Time Constant | 282 |
| Undertorque 1 | 303 | vrFy | 333 |
| Undertorque 2 | 303 | W | |
| Undertorque Detection 1 | 302, 317, 324 | W/T3 | 65 |
| Undertorque Detection 2 | 302, 317, 324 | Warranty Information | 24 |
| Undertorque Detection Operation | 265 | Water Supply Pump Application | 103 |
| Undervoltage | 302, 303, 324 | Watt Hour Output Example | 234 |
| Undervoltage 3 | 318 | Watt Hour Output Unit Selection | 234 |
| | | Watt Loss 200 V Class Three Phase Models | 393 |

| | |
|--|--------|
| Watt Loss 400 V Class Three Phase Models | 393 |
| Wire Gauge, Three Phase 200 V Class | 67 |
| Wire Gauge, Three Phase 400 V Class | 68 |
| Wire Gauges | 66, 74 |
| Wiring Checklist. | 83 |
| Wiring Diagram for 2-Wire Sequence | 221 |
| Wiring Distance | 178 |
| Wiring the Control Circuit Terminal | 74 |
| WRITE | 287 |
| Writing Parameter Settings | 332 |
| Writing to Multiple Registers. | 489 |
| Z | |
| Z Pulse Correction Error | 331 |
| Z Pulse Fault. | 308 |
| Z Pulse Noise Fault Detection | 308 |
| Z Pulse Offset Tuning | 110 |
| Zero Servo | 164 |
| Zero Servo Completion Width | 164 |
| Zero Servo Fault. | 317 |
| Zero Servo Gain | 164 |
| Zero-Speed Time Chart | 226 |

Revision History

The revision dates and the numbers of the revised manuals appear on the bottom of the back cover.

MANUAL NO. SIEP C710616 27B

Published in Japan February 2009 08-10 ◊

◊ Revision number
 08-10 Date of original publication
 February 2009 Date of publication

| Date of Publication | Revision Number | Section | Revised Content |
|---------------------|-----------------|---------|---|
| July 2009 | ◊ | All | Addition: Larger drive capacities added along with corresponding data Three-phase 400V: CIMR-A□4A0414 to 0675 Revision: Review and corrected entire documentation |
| February 2009 | ◊ | All | Addition: · Larger drive capacities added along with corresponding data Three-phase 200V: CIMR-A□2A0250 to 0415 Three-phase 400V: CIMR-A□4A0208 to 0362 · H1-□□ = 47 (Node Setup) Revision: Review and corrected entire documentation |
| October 2008 | — | — | First Edition |

YASKAWA AC Drive A1000

High Performance Vector Control Drive

Technical Manual

EUROPEAN HEADQUARTERS

YASKAWA ELECTRIC EUROPE GmbH

Hauptstraße 185, 65760 Eschborn, Germany
Phone: +49 (0)6196 569 300 Fax: +49 (0)6196 569 398
E-mail: info@yaskawa.de Internet: <http://www.yaskawa.eu.com>

YASKAWA ENGINEERING EUROPE GmbH

Hauptstraße 185, 65760 Eschborn, Germany
Phone: +49 (0)6196 569 520 Fax: +49 (0)6196 569 598
E-mail: service@yaskawa.de Internet: <http://www.yaskawa-eng.eu.com>

UNITED KINGDOM

YASKAWA ELECTRIC EUROPE GmbH

Unit 3, Centurion Court, Brick Close, Kiln Farm, Milton Keynes, Bucks MK11 3JB, United Kingdom
Phone: +44 (0)1908 556815 Fax: +44 (0)1908 565891
Internet: <http://www.yaskawa.eu.com>

ITALY

YASKAWA ELECTRIC EUROPE GmbH

Via TRABUCCHI N°28 41013 Castelfranco E.(MO), Italy
Phone: +39 (0)59 92 2121 Fax: +39 (0)59 92 2168
E-mail: info@yaskawa.it Internet: <http://www.yaskawa.eu.com>

U.S.A.

YASKAWA ELECTRIC AMERICA, INC.

2121 Norman Drive South, Waukegan, IL 60085, U.S.A.
Phone: (800) YASKAWA (800-927-5292) or +1 847 887 7000 Fax: +1 847 887 7370
Internet: <http://www.yaskawa.com>

JAPAN

YASKAWA ELECTRIC CORPORATION

New Pier Takeshiba South Tower, 1-16-1, Kaigan, Minatoku, Tokyo, 105-0022, Japan
Phone: +81 (0)3 5402 4511 Fax: +81 (0)3 5402 4580
Internet: <http://www.yaskawa.co.jp>



YASKAWA

YASKAWA ELECTRIC CORPORATION

In the event that the end user of this product is to be the military and said product is to be employed in any weapons systems or the manufacture thereof, the export will fall under the relevant regulations as stipulated in the Foreign Exchange and Foreign Trade Regulations. Therefore, be sure to follow all procedures and submit all relevant documentation according to any and all rules, regulations and laws that may apply.

Specifications are subject to change without notice for ongoing product modifications and improvements.

© 2008-2009 YASKAWA ELECTRIC CORPORATION. All rights reserved.

MANUAL NO. SIEP C710616 27C

Published in Japan July 2009 08-10 -0
09-1-2_YEG