

K3NP

Period Meter

OPERATION MANUAL

OMRON

K3NP Period Meter




Operation Manual

Produced January 1998

Notice:

OMRON products are manufactured for use according to proper procedures by a qualified operator and only for the purposes described in this manual.

The following conventions are used to indicate and classify precautions in this manual. Always heed the information provided with them. Failure to heed precautions can result in injury to people or damage to the product.

-  **DANGER** Indicates information that, if not heeded, is likely to result in loss of life or serious injury.
-  **WARNING** Indicates information that, if not heeded, could possibly result in loss of life or serious injury.
-  **Caution** Indicates information that, if not heeded, could result in relatively serious or minor injury, damage to the product, or faulty operation.

OMRON Product References

All OMRON products are capitalized in this manual. The word "Unit" is also capitalized when it refers to an OMRON product, regardless of whether or not it appears in the proper name of the product.

The abbreviation "Ch," which appears in some displays and on some OMRON products, often means "word" and is abbreviated "Wd" in documentation in this sense.

The abbreviation "PC" means Programmable Controller and is not used as an abbreviation for anything else.

Visual Aids

The following headings appear in the left column of the manual to help you locate different types of information.

- Note** Indicates information of particular interest for efficient and convenient operation of the product.
- 1, 2, 3...** 1. Indicates lists of one sort or another, such as procedures, checklists, etc.

© OMRON, 1998

All rights reserved. No part of this publication may be reproduced, stored in a retrieval system, or transmitted, in any form, or by any means, mechanical, electronic, photocopying, recording, or otherwise, without the prior written permission of OMRON.

No patent liability is assumed with respect to the use of the information contained herein. Moreover, because OMRON is constantly striving to improve its high-quality products, the information contained in this manual is subject to change without notice. Every precaution has been taken in the preparation of this manual. Nevertheless, OMRON assumes no responsibility for errors or omissions. Neither is any liability assumed for damages resulting from the use of the information contained in this publication.

TABLE OF CONTENTS

PRECAUTIONS	xi
1 General Precautions	xii
2 Safety Precautions	xii
3 Application Precautions	xii
4 Noise Prevention	xiii
SECTION 1	
Introduction	1
1-1 Features	2
1-2 Front of the Meter	3
1-3 Rear of the Meter	6
1-4 Modes	7
1-5 Communications Function	8
SECTION 2	
Setup	9
2-1 Mounting	10
2-2 Input Block	11
2-3 Output Board	14
SECTION 3	
Operating Modes	19
3-1 Passing Speed: F1	20
3-2 Cycle: F2	23
3-3 Time Difference: F3	25
3-4 Elapsed Time: F4	28
3-5 Length Measurement: F5	31
3-6 Interval: F6	34
SECTION 4	
Parameter Setting	37
4-1 Overview	38
4-2 Setting Mode	39
4-3 Protect Mode	69
SECTION 5	
Operations in RUN Mode	79
5-1 Displaying and Changing Setting Values	80
5-2 Displaying and Resetting of Maximum and Minimum Values	82
5-3 External Input Signals	84
SECTION 6	
Useful Functions	87
6-1 Teaching Function	88
6-2 Output Test	90
6-3 Maintenance Mode	91
SECTION 7	
BCD Output	93
7-1 Connectors	94
7-2 Timing Charts	97
SECTION 8	
Troubleshooting	99
8-1 Items to Be Checked First	100
8-2 Display	100

TABLE OF CONTENTS

Appendices

A Specifications	101
B List of Settings	105
C Available Models	107
D Available Parameters	109
E Setting Examples	113
Index	115
Revision History	119

About this Manual:

This manual describes the installation and operation of the K3NP Period Meter and includes the sections described below.

Please read this manual carefully and be sure you understand the information provided before attempting to install and operate the K3NP.

Section 1 describes the functions of the K3NP. The main components are also described.

Section 2 provides instructions required for mounting and wiring the K3NP.

Section 3 provides instructions for setting the parameters of the K3NP.

Section 4 provides instructions for operating the K3NP in RUN mode.

Section 5 provides information on the teaching function, output test, and maintenance mode.

Section 6 provides information on the use of the K3NP with the BCD Output Board.

Section 7 provides information for troubleshooting the K3NP

The **Appendices** provide specifications, a list of settings, a list of standard models, and a list of available menu items.



WARNING Failure to read and understand the information provided in this manual may result in personal injury or death, damage to the product, or product failure. Please read each section in its entirety and be sure you understand the information provided in the section and related sections before attempting any of the procedures or operations given.

PRECAUTIONS

This section provides precautions for using the K3NP Period Meter and related devices.

The information contained in this section is important for the safe and reliable application of the K3NP. You must read this section and understand the information contained before attempting to set up or operate the K3NP.

1 General Precautions	xii
2 Safety Precautions	xii
3 Application Precautions	xii
4 Noise Prevention	xiii


1 General Precautions


The user must operate the product according to the performance specifications described in the operation manuals.

Before using the product under conditions which are not described in the manual or applying the product to nuclear control systems, railroad systems, aviation systems, vehicles, combustion systems, medical equipment, amusement machines, safety equipment, and other systems, machines, and equipment that may have a serious influence on lives and property if used improperly, consult your OMRON representative.

Be sure to read this manual before attempting to use the product and keep this manual close at hand for reference during operation.

2 Safety Precautions

 **WARNING** Never attempt to disassemble any Units while power is being supplied. Doing so may result in serious electrical shock or electrocution.

 **WARNING** Never touch any of the terminals while power is being supplied. Doing so may result in serious electrical shock or electrocution.

3 Application Precautions

Observe the following precautions when using the product.

- Always use the power supply voltage specified in the specifications.
- Do not use the product in locations subject to flammable gases or combustible objects.
- Be sure to confirm terminal names when wiring.
- Be sure to tighten the screws on the terminal blocks.

Observe the following precautions when mounting the product.

- Mount the product on level surfaces.
- Mount the product on a panel which has a thickness of 1 to 3.2 mm.

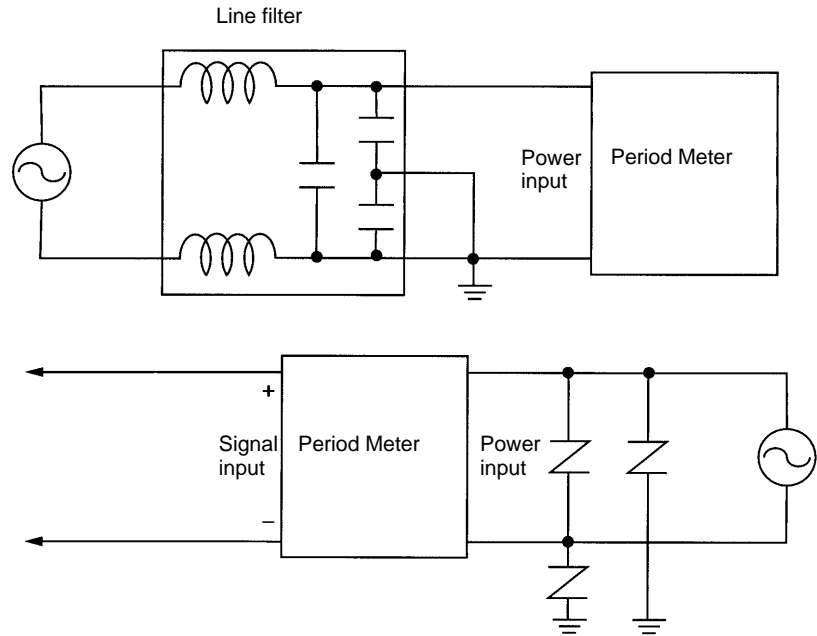
Do not mount the product in the following places.

- Locations subject to strong shock or vibration.
- Locations subject to temperature or humidity exceeding the rated levels or where icing is liable to occur.
- Locations subject to dust.
- Locations subject to corrosive gases (particularly sulfuric gases or ammonium gases).
- Locations subject to direct sunlight or outdoor conditions.
- Locations near devices (high-frequency welders or high-frequency sewing machines) that produce high-frequency noise.

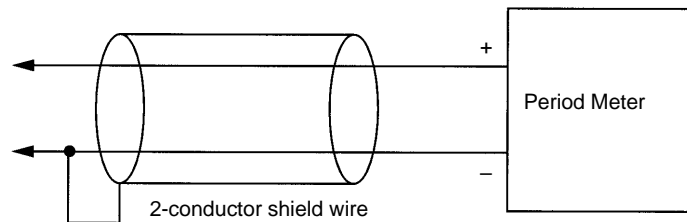
4 Noise Prevention

Provide the following countermeasures when using the product in an environment where the product is exposed to noise.

- Countermeasures for protecting the product against high-frequency noise or abnormal voltages.



- Countermeasures for protecting the product against inductive noise produced from the input line.



SECTION 1

Introduction

This section describes the functions of the K3NP. The main components are also described. Refer to the remaining sections of this manual for the operation of the K3NP and its menus in detail.

1-1	Features	2
1-2	Front of the Meter	3
1-3	Rear of the Meter	6
1-4	Modes	7
1-5	Communications Function	8

1-1 Features

The K3NP Period Meter displays pulse input after performing the numeric conversion of the input.

The K3NP has the following functions.

Measurement

The internal system clock counts the period between pulses or pulse-ON time and displays it in a variety of modes.

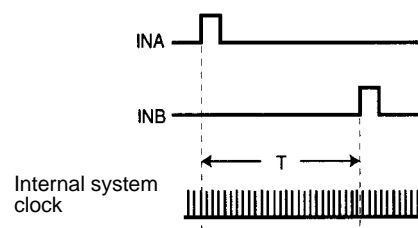
In the following example, the internal system clock counts the time (T) between pulse INA and pulse INB. If there are 100,000 counts during the time (T), a passing speed (F1) of 1,200 (m/min) will be displayed according to the following calculation.

$$T = 1 \text{ system clock count } (0.5 \mu\text{s}) \times 100,000 = 0.05 \text{ s}$$

$$F1 = 1/T \times 60 \text{ (m/min) according to the internal calculation method.}$$

$$\text{Therefore, } 1/0.05 \text{ s} \times 60 = 1,200 \text{ (m/min)}$$

Example: Passing Speed F1



Prescaling

Input pulses are converted into a value within a specified range.

Comparative Output Selection

Comparison output patterns can be selected from the standard, level, or zone output depending on the application.

Refer to *Comparative Output Patterns*, page 61.

Linear Output

Refer to *Linear Output Range*, page 64.

BCD Output

A digital data output format where every four binary bits is numerically equivalent to one decimal digit.

Refer to *Section 7 BCD Output*.

Communications Output

Refer to the *Communications Manual*.

HOLD

HOLD is an external input which is used to stop the A/D process and freeze the display. The comparative, linear, and BCD outputs are also retained.

Refer to *5-3 External Input Signals* for details.

RESET

RESET is an external input to reset to the initial state and the present maximum and minimum values. Resetting can be performed using the front panel keys.

Refer to pages 85 and 86.

Output Test

This function is convenient for checking a system to which the K3NP is connected, especially when some inputs cannot be operated. The K3NP simulates an input to check the output conditions.

Refer to *6-2 Test Mode* for details.

Remote/Local Selection

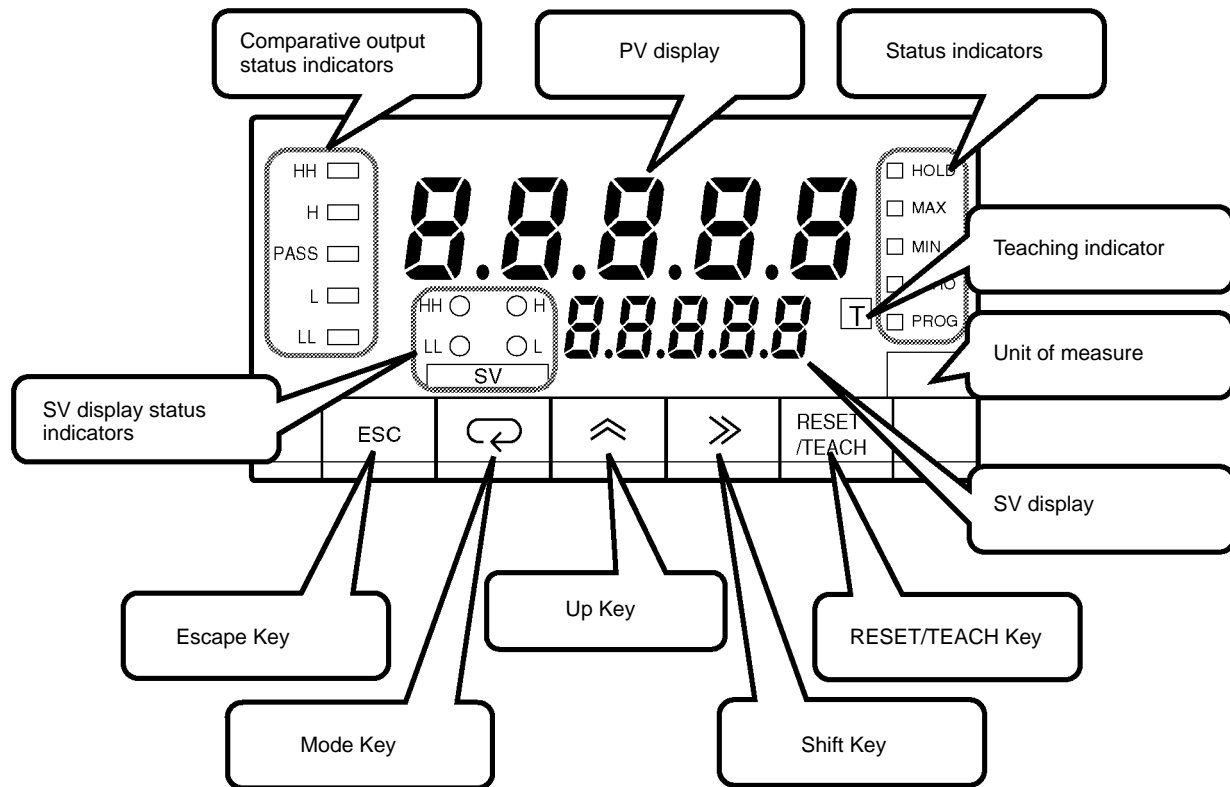
The K3NP can be operated remotely through a host computer or locally with key inputs.

Remote Mode: For programming remotely by downloading setup parameters from a host computer via RS-232C, RS-485, or RS-422.

Local Mode: Programming is performed with the front panel key input.

Refer to *Remote/Local Programming*, page 67.

1-2 Front of the Meter



Five-digit (0 to 99999), seven-segment, 14.2-mm-high LED display with a programmable decimal point.

The displays show the process value, maximum value, minimum value, operations/parameters when setting, and error messages.

PV Display

K3NP-□□□A Basic Model

RUN Mode: Displays the process, maximum, and minimum values. Also displays setting values while the SV indicator is lit. When changing a value, all digits other than those that can be set become dimmer.

Setting Mode: Displays the menu, parameter, or setting value. When changing a value, all digits other than those that can be set become dimmer.

K3NP-□□□C Set Value LED Display Model

RUN Mode: Displays the process, maximum, and minimum values.

Setting Mode: Displays the menu and parameters.

SV Display (Setting value LED Display Models Only)

RUN Mode: Displays comparative set values setting values. When changing a value, all digits other than those that can be set become dimmer.

Setting Mode: Displays setting values. When changing a value, all digits other than those that can be set become dimmer.

Comparative Output Status Indicators

Indicates the status of the comparative output.

Status Indicators

HOLD Indicator

Lit when the HOLD input signal is ON.

MAX Indicator

Lit when the value displayed on the PV display is the maximum value.

MIN Indicator

Lit when the value displayed on the PV display is the minimum value.

PROG Indicator

Lit when the setting mode menu is displayed. The indicator flashes while parameters are displayed.

Teaching Indicator

Lit when displayed parameters can be set in teaching operation. The indicator flashes when the process value is indicated as a setting value.

SV Display Status Indicators

Indicates which set value is on the PV or SV display.

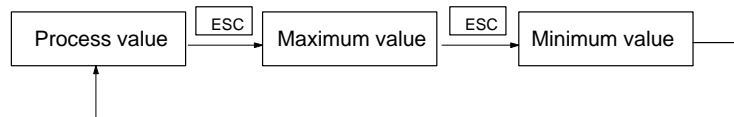
Unit of Measure

Attach the appropriate label showing the unit of measure (enclosed).

Escape Key



Used to select the process, maximum, or minimum value to be displayed on the PV display in RUN mode.

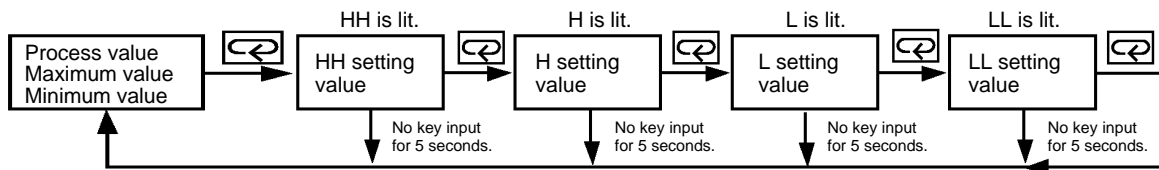


Used to return from the setting, protect, or maintenance mode to the RUN mode. This key is also used to return to the previous operation during the setting, protect, or maintenance mode.

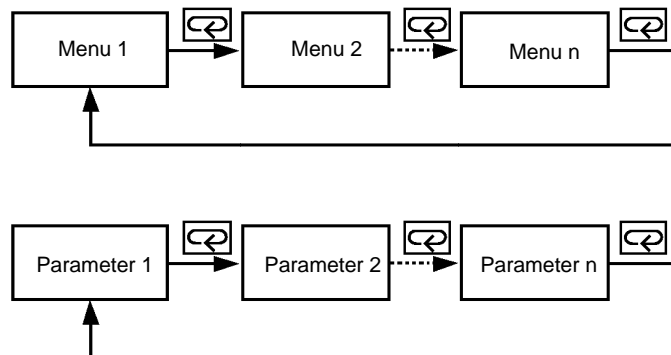
Mode Key



Displays a setting value (out of HH, H, L, and LL setting values in this order) on the PV display in RUN mode when this key is pressed. Unless another operation key is pressed within five seconds after this key has been pressed, the display automatically changes to the one for process values.



In the RUN mode, this button terminates the measurement process and allows you to enter the setting mode, advancing through the menus and parameters.



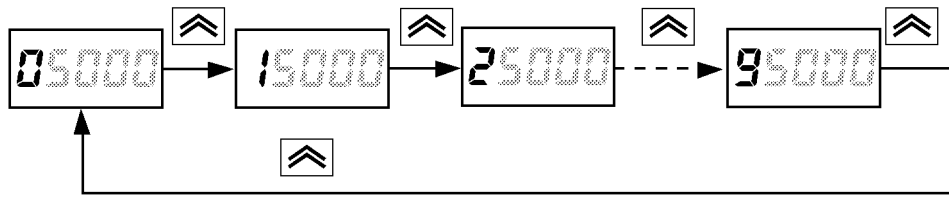
In the setting mode, this button will store changes in the non-volatile memory while at the same time advancing the display to the next menu item.

Up Key



Used to select a parameter to be displayed for setting value change.

Used to increment the current digit in the setting value by one.



The value increases in the following order:

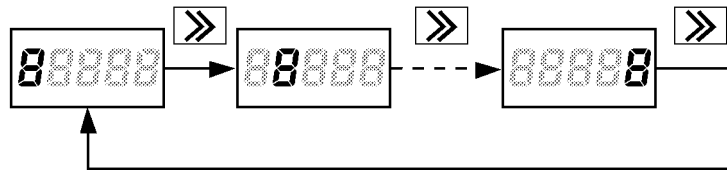
0, 1, 2, 3, 4, 5, 6, 7, 8, 9

Shift Key



Used to change the parameter displayed in setting mode.

Used to scroll the digit to the right of the presently displayed digit.



RESET/TEACH Key



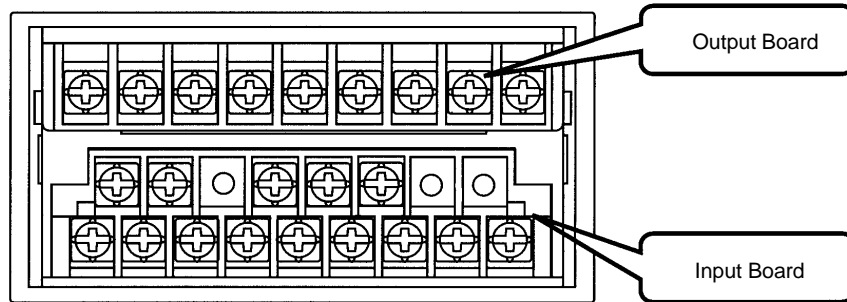
Used to reset the K3NP to its initial state or to reset the max./min. value in RUN mode.

Used to select the teaching function. Refer to 6-1 Teaching Function for details.

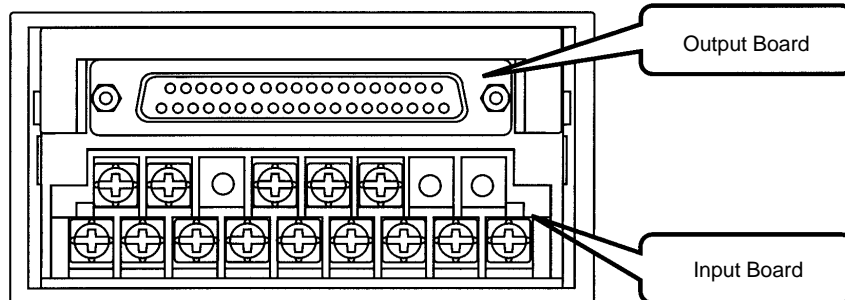
1-3 Rear of the Meter

Terminal arrangement varies depending on the selected Output Board.
For wiring, refer to *Section 2 Setup*.

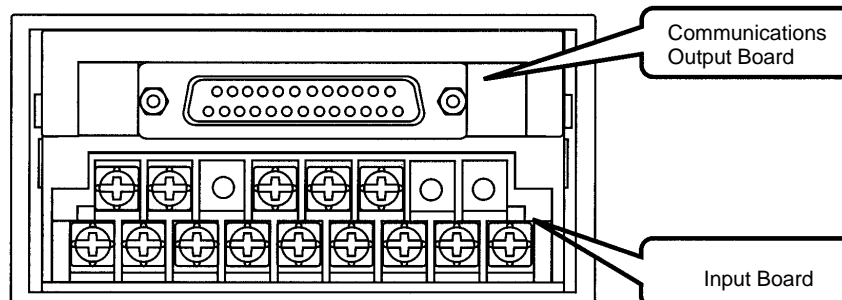
- K3NP with Relay Output Board, K31-C1, -C2, -C5
- K3NP with Transistor Output Board, K31-T1, -T2
- K3NP with Linear Output Board, K31-L1, -L2, -L3, -L4, -L5, -L6, -L7, -L8, -L9, -L10
- K3NP with RS-485 Output Board, K31-FLK2, -FLK5



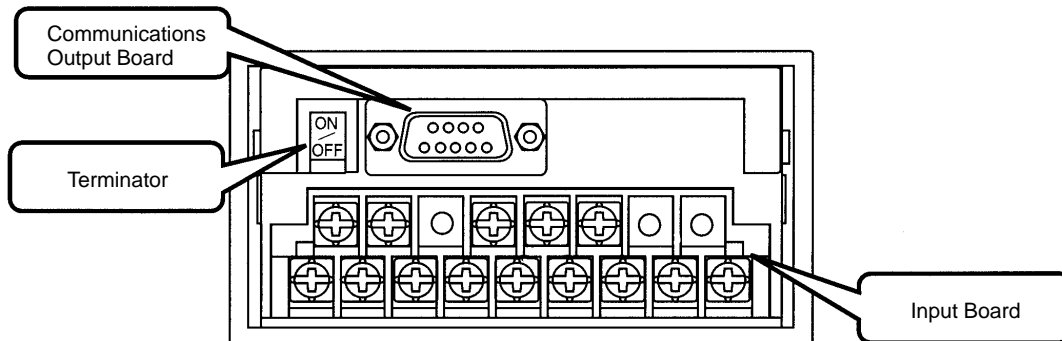
K3NP with BCD Output Board, K31-B2, -B4



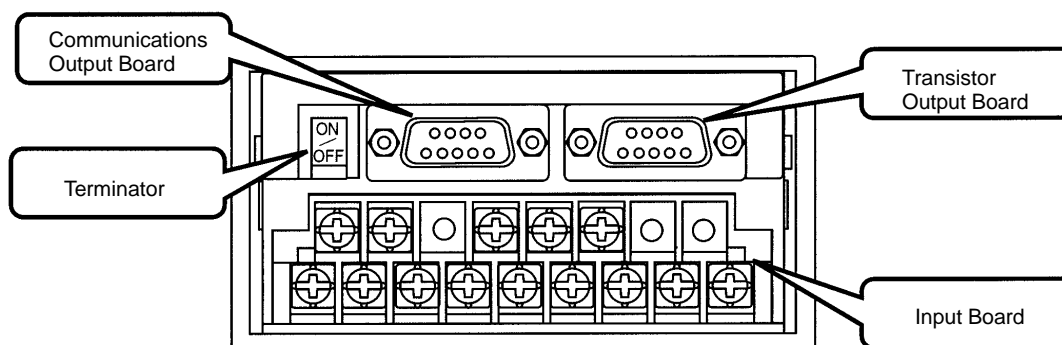
K3NP with RS-232C Output Board, K31-FLK1



K3NP with RS-422 Output Board, K31-FLK3



K3NP with RS232C + Transistor Output Board, K31-FLK4
K3NP with RS-422 + Transistor Output Board, K31-FLK6

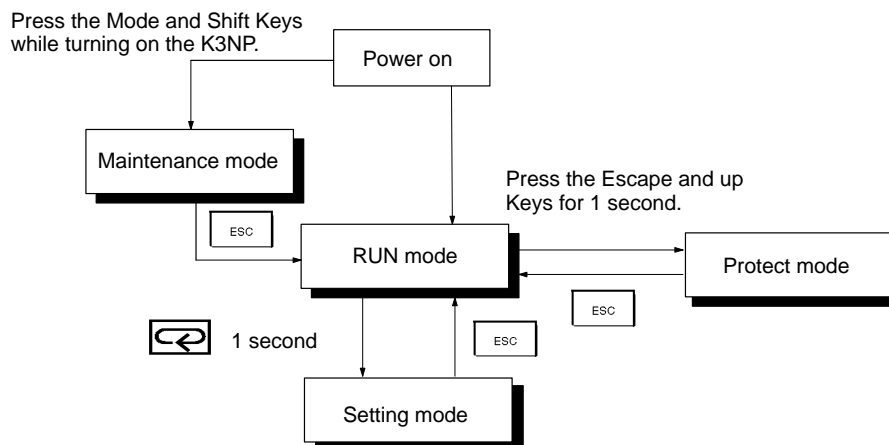


1-4 Modes

The following four modes are available.

- RUN mode for normal operations (see Section 5 Operations in RUN Mode)
- Setting mode for initializing parameter input (see Section 4 Parameter Setting)
- Protect mode for lock-out configuration (see 4-1 Protect Mode)
- Maintenance mode for initialization (see 6-3-2 Initialization)

Refer to the following for the relationship among these modes and selection of the modes.



RUN Mode

K3NP is in RUN when the K3NP is turned ON.

The K3NP in this mode provides an output signal as a result of the comparison of the measured and setting values.

The basic model in this mode usually displays the process value. The maximum and minimum values are displayed by pressing the Escape Key. The parameters and setting values are displayed by pressing the Mode Key.

Refer to *Section 5 Operations in RUN Mode* for RUN mode in detail.

Setting Mode

Values are set in the K3NP in this mode by key input or using the teaching function.

Refer to *Section 4 Parameter Setting* for value setting by key input and *6-1 Teaching Function* for the teaching function in detail.

Protect Mode

Use this mode to prohibit some operations in order to lock out the setting values.

Refer to *4-1 Protect Mode* for details.

Maintenance Mode

The setting values are reset to factory-set values in this mode. Refer to *6-3-2 Initialization* for details.

1-5 Communications Function

The communications function of the K3NP makes it possible for the host computer to perform the following operations.

- Confirmation and change of setting values. Communications conditions cannot be changed.
- Reading and resetting the maximum and minimum values.
- Forced-zero setting and resetting.
- Confirmation of model data.

Use a model with a Communications Board if the communications function is required.

Refer to the *Communications Manual* for the communications function in detail.

RS-232C

Use the K31-FLK1 or K31-FLK4 Output Board to use the RS-232C interface.

RS-422

Use the K31-FLK3 or K31-FLK6 Output Board to use the RS-422 interface.

RS-485

Use the K31-FLK2 or K31-FLK5 Output Board to use the RS-485 interface.

SECTION 2

Setup

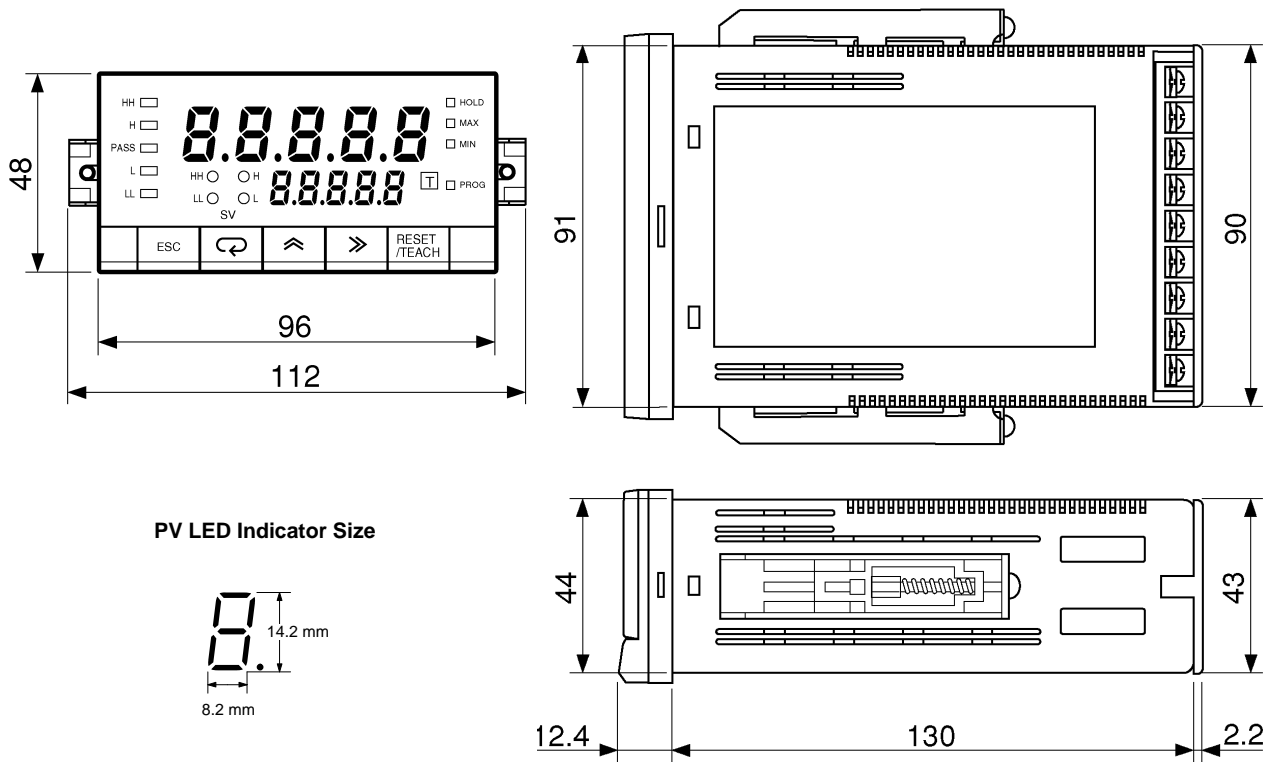
This section provides instructions required for mounting and wiring the K3NP.

2-1	Mounting	10
2-2	Input Block	11
2-2-1	Terminal Arrangement	11
2-2-2	Wiring Precautions	11
2-2-3	Wiring	12
2-3	Output Board	14
2-3-1	Terminal Arrangement	14
2-3-2	Relay Output Board	16
2-3-3	Transistor and Combination Output Board	17
2-3-4	Linear Output Board	17
2-3-5	BCD Output Board	17

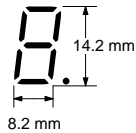
2-1 Mounting

Dimensions

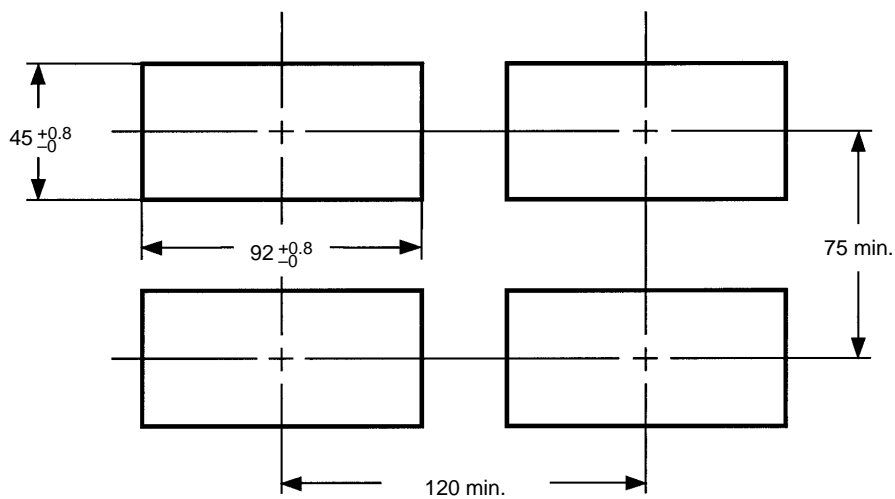
All dimensions are in millimeters.



PV LED Indicator Size



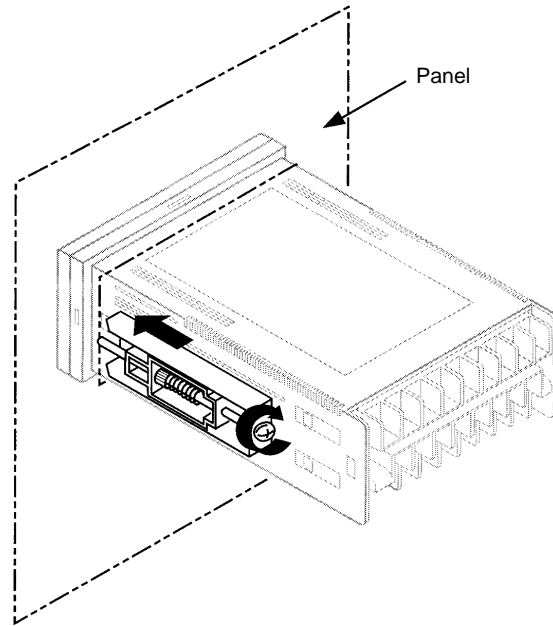
Panel Cutouts



Recommended panel thickness is 1 to 3.2 mm.

Do not mount more than one Unit closely in the horizontal or vertical direction. Be sure to keep the distance between adjacent Units.

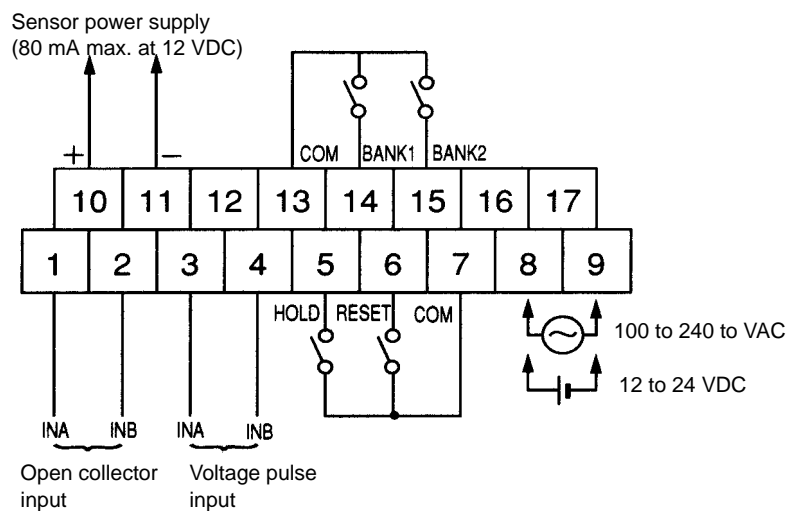
Mounting Method



- 1, 2, 3...
1. Insert the K3NP into the mounting hole on the panel.
 2. Hook the fixture claws onto the side holes.
 3. Mount a fixing metal to the right and left sides as shown above and while keeping them in balance, alternately tighten each screw until the ratchet becomes idle.

2-2 Input Block

2-2-1 Terminal Arrangement



Note Voltage pulse input is available for the K3NP-NB□□-□□.

2-2-2 Wiring Precautions

- Do not make any mistake in polarity when supply DC power to the K3NP.
- Do not wire power lines alongside the signal lines of the K3NP in order to prevent the K3NP from noise interference.

- Wire the terminal block with crimp terminals.
- Tighten each screw to a torque of 0.78 N • m (8 kgf • cm).

2-2-3 Wiring

Power Supply

Apply 100 to 240 VAC or 12 to 24 VDC to terminals 8 and 9.

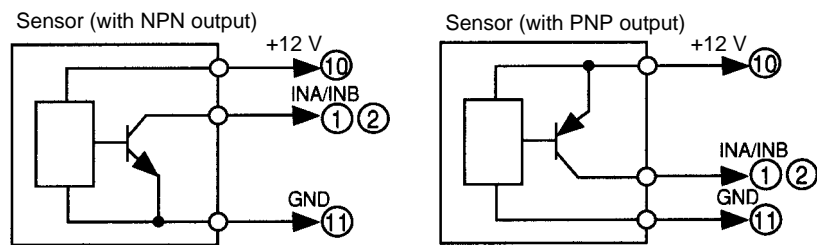
Open Collector Input

Connect the pulse output from sensor A to terminal 1.

Connect the pulse output from sensor B to terminal 2.

Terminals 10 and 11 are exclusively used for a power supply with an output of 80 mA at 12 VDC to sensors A or B. If power is supplied to the sensors A or B from a different power source, do not use terminal 10. Do not connect a sensor with open collector output to terminal 10.

Refer to the following for sensor connections.



- Residual voltage with sensor turned on: 3 V max.
- Current leakage with sensor turned off: 1.5 mA max.
- Switching load current: 20 mA or greater. Must be able to dependable switch a load current of 5 mA max.

Photoelectric sensors, proximity sensors, rotary encoders, and relays can be connected as sensors to the K3NP.

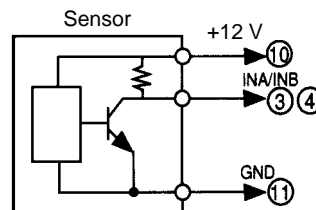
Voltage Pulse Input

Connect the pulse output of sensor A to terminal 3.

Connect the pulse output of sensor B to terminal 4.

Terminals 10 and 11 are exclusively used for a power supply with an output of 80 mA at 12 VDC to sensors A or B. If power is supplied to the sensors A or B from a different power source, do not use terminal 10. Do not connect a sensor with voltage pulse output to terminal 10.

Refer to the following for sensor connections.



- H level (sensor output ON): 4.5 to 30 VDC
- L level (sensor output OFF): -30 to 2 VDC

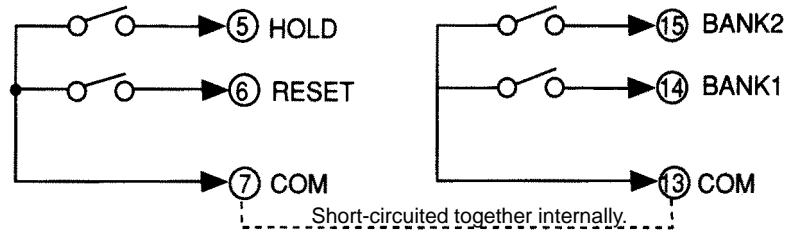
Auxiliary Power Supply

Terminals 10 and 11 are exclusively used for power supply to sensors with an output of 80 mA at 12 VDC ± 10%.

External Signal Input

HOLD Input
RESET Input
BANK Input

Connect external signal inputs to terminals 5 through 7 and 13 through 15. Terminals 7 and 13 are connected to each other internally.



Connect HOLD input to terminal 5.

Connect RESET input to terminal 6.

Connect BANK inputs to terminals 14 and 15 for BANK1 and BANK2.

If open collector input is used as external signal input, the transistor must satisfy the following conditions.

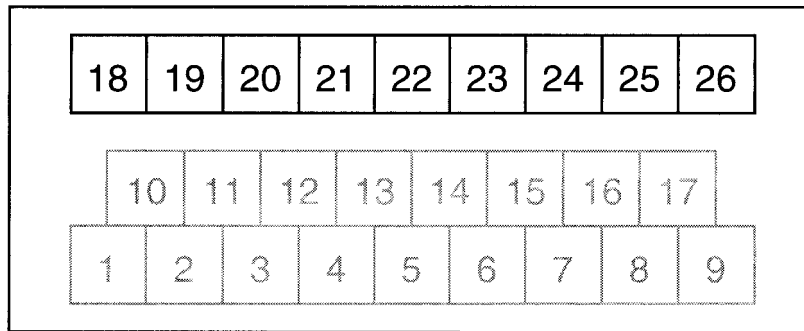
- Residual voltage with transistor turned on: 3 V max.
- Current leakage with transistor turned off: 1.5 mA max.
- Switching load current: 20 mA or greater.

Approximately 5 V is imposed between COM and terminals 5 to 7 with a current flow of approximately 18 mA (a nominal value) at the time of external input short-circuiting.

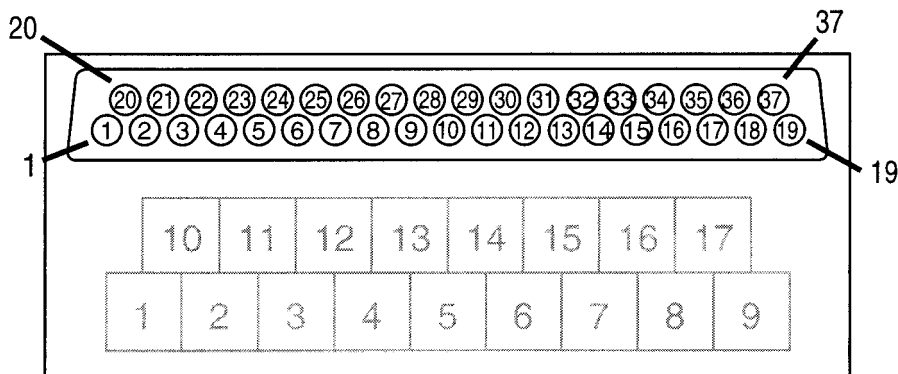
2-3 Output Board

2-3-1 Terminal Arrangement

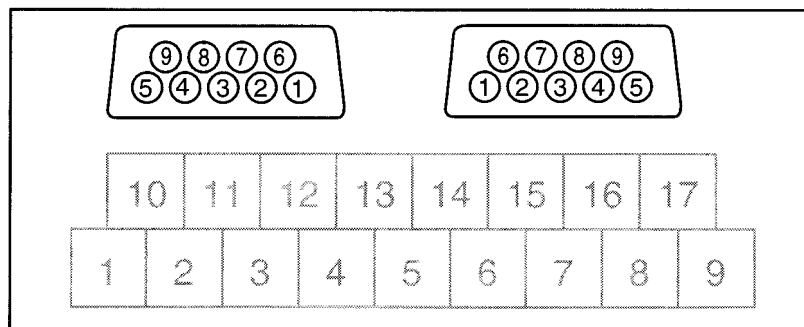
K3NP with Relay Output Board, K31-C1, -C2, -C5
 K3NP with Transistor Output Board, K31-T1, -T2
 K3NP with Linear Output Board, K31-L1, -L2, -L3, -L4, -L5, -L6, -L7, -L8, -L9, -L10
 K3NP with RS-485 Output Board, K31-FLK2, -FLK5



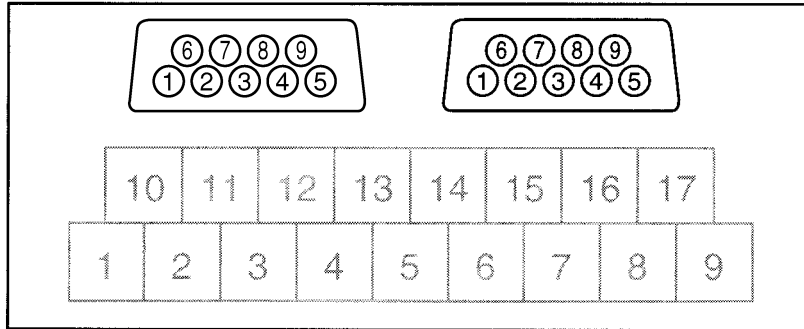
K3NP with BCD Output Board, K31-B2, -B4



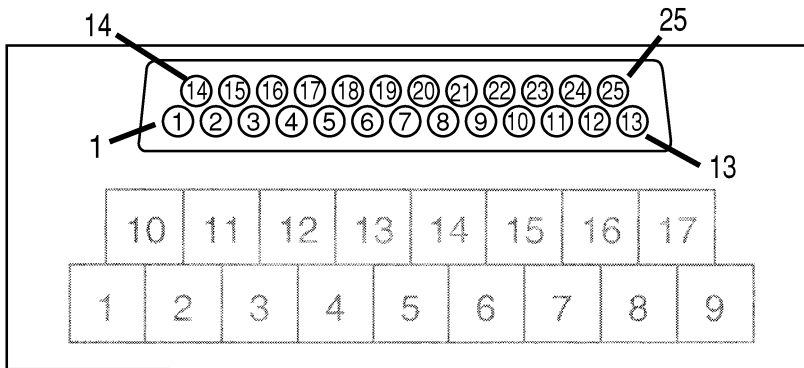
K3NP with RS232C + Transistor Output Board, K31-FLK4



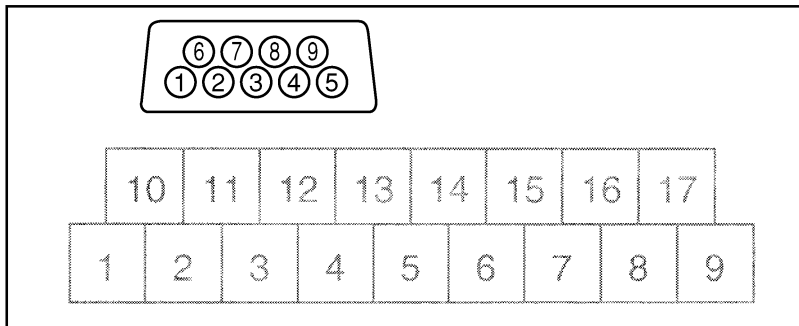
K3NP with RS-422 + Transistor Output Board, K31-FLK6



K3NP with RS-232C Output Board, K31-FLK1



K3NP with RS-422 Output Board, K31-FLK3

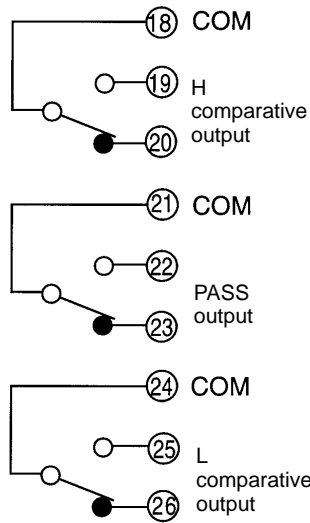


K3NP with RS-422 Output Board, K31-FLK3

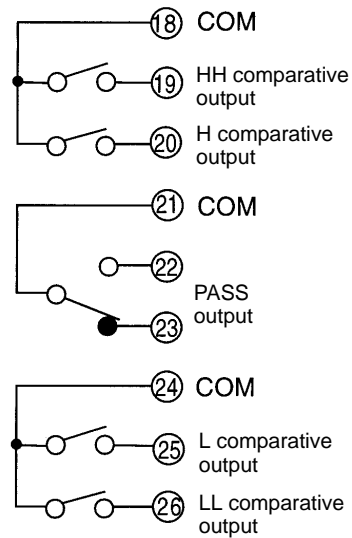
2-3-2 Relay Output Board

The following figures show the connections for relay output.

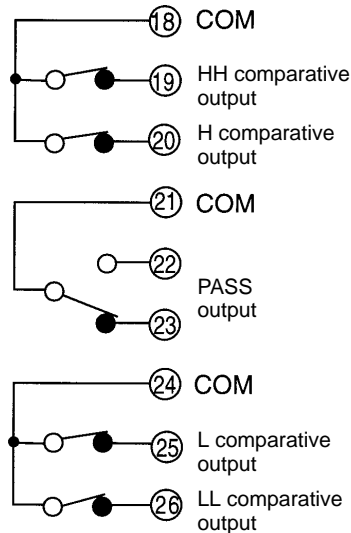
K3NP with 3 Relay Output Boards, K31-C1



K3NP with 5 Relay Output Boards, K31-C2



K3NP with 5 Relay Output Boards, K31-C5



The following contact output conditions are required.

- 5 A (resistive load) at 250 VAC
- 1.5 A (inductive load) at 250 VAC
- 5 A (resistive load) at 30 VDC
- 1.5 A (inductive load) at 30 VDC

2-3-3 Transistor and Combination Output Board

K3NP with Transistor Output Board, K31-T1 or K31-T2

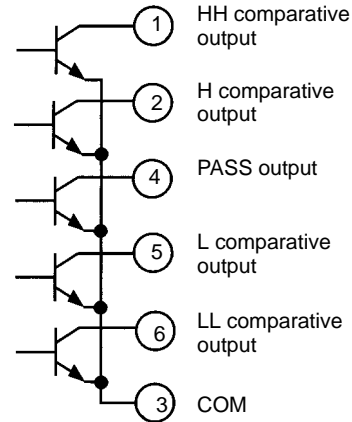
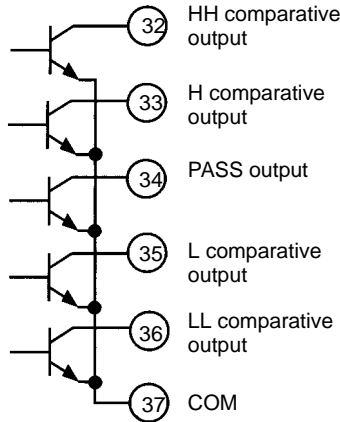
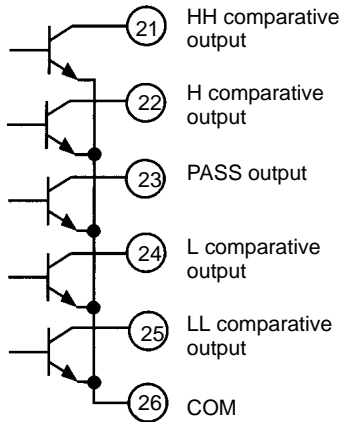
K3NP with Linear Output Board, K31-L4, -L5, -L6, -L9, -L10

K3NP with RS-485 + 5 Relay Output Boards, K31-FLK5

K3NP with BCD Output Board, K31-B2 or K31-B4

K3NP with RS232C + 5 Transistor Output Boards, K31-FLK4

K3NP with RS-422 + 5 Transistor Output Boards, K31-FLK6



The following transistor output conditions are required.

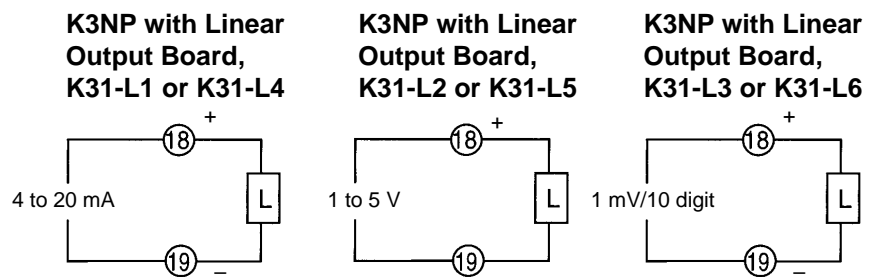
Maximum rated voltage: 24 VDC

Load current: 50 mA

Current leakage with transistor turned off: 100 μ A.

2-3-4 Linear Output Board

The following figures show connections for linear output.



The following linear output conditions are required.

Linear output	Permissible load resistance	Resolution	Output error
4 to 20 mA	600 Ω max.	4096	$\pm 0.5\%$ FS
1 to 5 V	500 Ω min.	4096	$\pm 0.5\%$ FS
1 mV/10 digit	1 k Ω min.	4096	$\pm 1.5\%$ FS

2-3-5 BCD Output Board

Refer to *Section 7 BCD Output* for the terminal arrangement and interface.

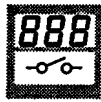
SECTION 3

Operating Modes

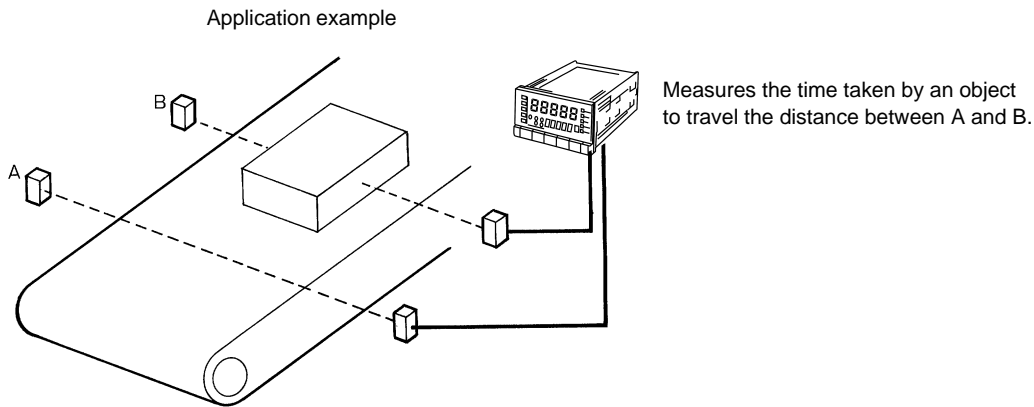
This section provides information on the basic operation of the K3NP in operating mode.

3-1	Passing Speed: $F1$	20
3-2	Cycle: $F2$	23
3-3	Time Difference: $F3$	25
3-4	Elapsed Time: $F4$	28
3-5	Length Measurement: $F5$	31
3-6	Interval: $F6$	34

3-1 Passing Speed: F1



FUNCTION



Basic Operation

Displays the speed of an object passing between A and B. The speed is obtained by multiplying the reciprocal of T by 60. T (time) is the time interval between INA turning ON and INB turning ON. If the distance between the INA sensor and INB sensor is 1 m, the displayed value is m/min. If the distance is other than 1 m, or if another unit of measurement is required, input an appropriate prescale value. Obtain display value D as follows:

$$D \text{ (m/min)} = 1/T \times 60 \times \alpha$$

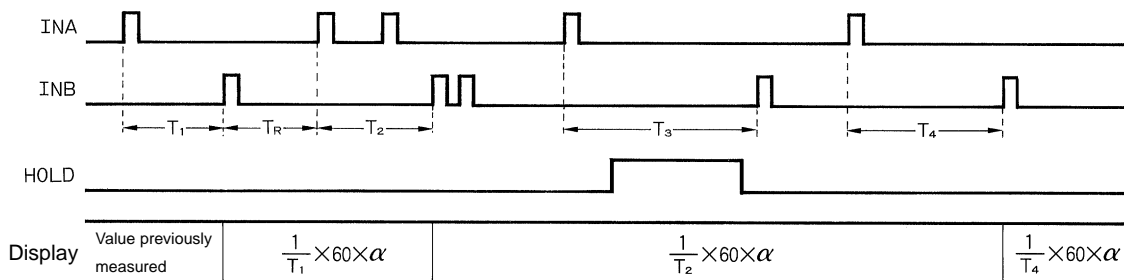
T: Time interval between INA turning ON and INB turning ON (sec)

α : Prescale value

Hold Measured Value

When the HOLD input turns ON while the K3NP is measuring, the measuring operation is canceled and the K3NP holds the last measured value (displayed value). While the HOLD input is ON, the K3NP holds comparative output and BCD output. Measurement will not begin while the K3NP is in HOLD status. This is illustrated in the following diagram.

When the comparative output terminals of the output board and the HOLD input terminals are connected, the value measured immediately after the occurrence of an error can be obtained.



T_R : Recovery time



SETTING

Refer to the following table to set the most suitable prescaling value.

Mode	Unit of display	Prescale value
Passing speed	mm/sec	1000L/60
	m/sec	L/60
	m/min	L
	cm/sec	100L/60
	cm/min	100L
	km/h	0.06L

Where,
L = Distance between sensors (m)



REFERENCE

Refer to 4-2 Setting Mode.

Performance Characteristics

Accuracy of measurement	$\pm 0.08\%$ rdg ± 1 digit (ambient temperature: $23^{\circ}\text{C} \pm 5^{\circ}\text{C}$)
Measurement range	10 ms to 3200 s
Response time of HOLD input	20 ms max.
Recovery time (T_R)	20 ms min.
ON/OFF pulse width	Sensor with transistor output: 9 μs min. Sensor with relay output: 15 ms min.

Response time	Output configuration				
	Relay output	Transistor output	BCD and transistor output	Linear and transistor output	Communication and transistor output
Comparative output	25 ms max.	20 ms max.	35 ms max.	35 ms max.	20 ms max.
BCD output	---	---	Refer to page 93.	---	---
Linear output	---	---	---	40 ms max.	---

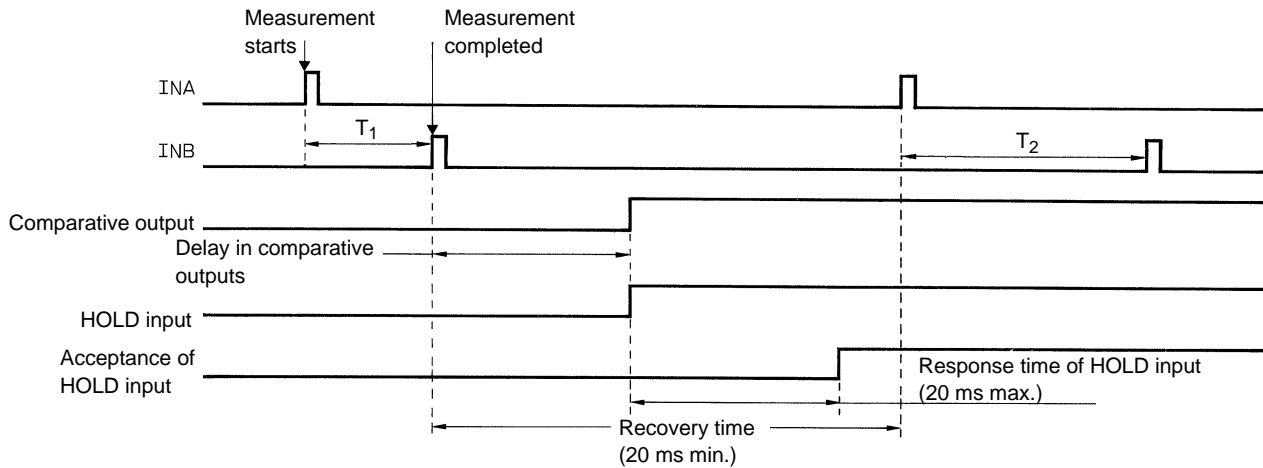
Response Time of HOLD Input

The response time of the HOLD input is the time required for the K3NP to accept HOLD input after the HOLD input turns ON.

Recovery Time (T_R)

Recovery time is the period required for the K3NP to become ready for the next measuring operation after a measuring operation is completed. For Transistor Output Models, comparative output remains ON during recovery time. For other models, comparative output requires more time to turn ON. When the comparative output terminals of the output board and the HOLD input terminals are connected, set a sufficient recovery period, considering the response time of the HOLD input. This is illustrated in the following diagram.

Operating Mode F1 (Transit Speed)



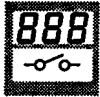
Available functions in this mode are indicated as “Yes” in the following table.

Menu	Function	Displayed Character	Availability	Reference page
---	Max./Min. value display and reset	---	Yes	82
SvSEt (note 1)	Set value bank no. of set values	S.bRnV	Yes	42
	HH set value	Sv*.HH		
	H set value	Sv*.H		
	L set value	Sv*.L		
	LL set value	Sv*.LL		
PSCL	Set value bank no. of prescale values	P.bRnV	Yes	46
	Prescaling value of input A X (mantissa) Y (exponent)	PS*.R _X PS*.R _Y	Yes	
	Decimal point position	dECP.*	Yes	
SEtUP	Operating mode	FUnC	Yes	50
	Input A sensor type	inA	Yes	52
	Input B sensor type	inB	Yes	
	Time unit	tUnE	No	
	Communications unit no. (note 1)	U-n _o	Yes	56
	Baud rate (note 1)	bPS	Yes	
	Word length (note 1)	LEn	Yes	58
	Stop bits (note 1)	Sb _o t	Yes	
Parity bits (note 1)	Pr _o Y	Yes		
oPt	Output pattern (note 1)	C-oUt	Yes	61
	H linear output range (note 1)	LSEt.H	Yes	64
	L Linear output range (note 1)	LSEt.L	Yes	
	Remote/Local programming (note 1)	r-L	Yes	67

Note 1. The availability of the parameters depends on the type of selected Output Board.

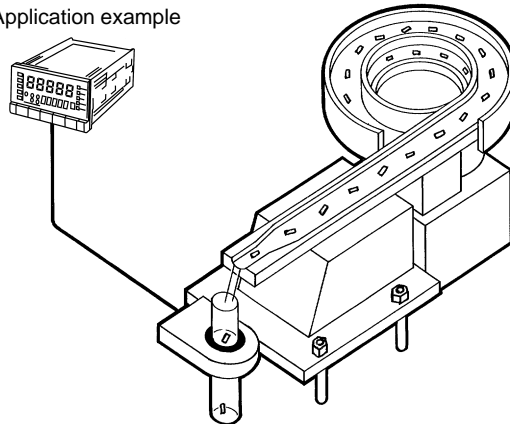
2. The selected bank number will be displayed where the asterisk (*) appears.

3-2 Cycle: F2



FUNCTION

Application example



Measures the cycle with which items pass a sensor.

Basic Operation

Displays in seconds the interval between successive occurrences of INA turning ON. Input an appropriate prescale value to display units other than seconds. Obtain display value D as follows:

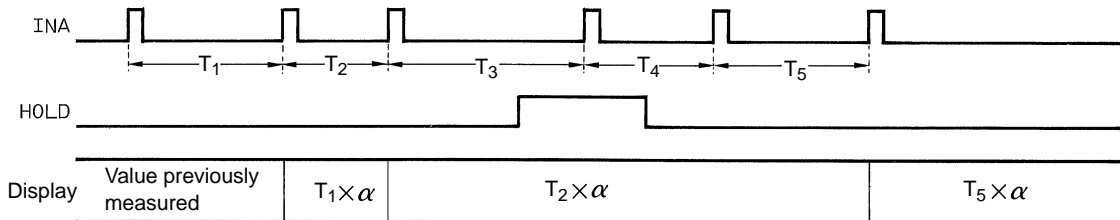
$$D \text{ (sec)} = T \times \alpha$$

T: Interval between successive occurrences of INA turning ON

α : Prescale value

By using $\overline{L\bar{L}nE}$ in the time unit display setting parameter, the passing time can be displayed in units of hours, minutes, and seconds.

To set a prescale value, refer to 4-2-4 Prescaling Menu.



SETTING

Refer to the following table to set the most suitable prescaling value.

Mode	Unit of display value	Prescale value
Cycle	sec	1
	min	1/60

Where,
INB input is disregarded for operating mode 2.

Note The K3NP can display time, minute, and second. Refer to page 54 for details.



REFERENCE

Refer to 4-2 Setting Mode.

Performance Characteristics

Accuracy of measurement	$\pm 0.08\%$ rdg ± 1 digit (ambient temperature: $23^{\circ}\text{C} \pm 5^{\circ}\text{C}$)
Measurement range	20 ms to 3200 s
Response time of HOLD input	20 ms max.
Recovery time (T_R)	20 ms min.
ON/OFF pulse width	Sensor with transistor output: 9 μs min. Sensor with relay output: 15 ms min.

Response time	Output configuration				
	Relay output	Transistor output	BCD and transistor output	Linear and transistor output	Communication and transistor output
Comparative output	25 ms max.	20 ms max.	35 ms max.	35 ms max.	20 ms max.
BCD output	---	---	Refer to page 93.	---	---
Linear output	---	---	---	40 ms max.	---

Response Time of HOLD Input

The response time of the HOLD input is the time required for the K3NP to accept HOLD input after the HOLD input turns ON. This is illustrated in the following diagram.

Available functions in this mode are indicated as "Yes" in the following table.

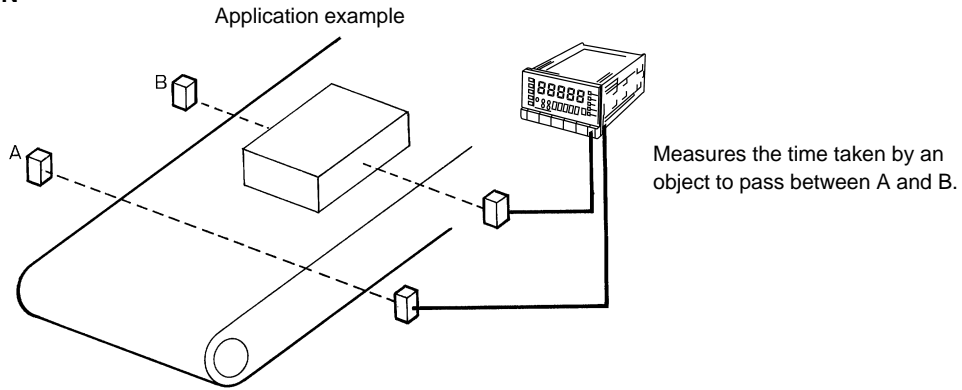
Menu	Function	Displayed Character	Availability	Reference page
---	Max./Min. value display and reset	---	Yes	82
S _u SEt (note 1)	Set value bank no. of set values	S _b Rn ^P	Yes	42
	HH set value	S _u *.HH		
	H set value	S _u *. H		
	L set value	S _u *. L		
	LL set value	S _u *.LL		
P ₅ CL	Set value bank no. of prescale values	P _b Rn ^P	Yes	46
	Prescaling value of input A X (mantissa) Y (exponent)	P ₅ *.R _X P ₅ *.R _Y	Yes	
	Decimal point position	dECP.*	Yes	
SEtUP	Operating mode	FUnC	Yes	50
	Input A sensor type	LnA	Yes	52
	Input B sensor type	LnB	No	
	Time unit	tLnE	Yes	54
	Communications unit no. (note 1)	U-n _o	Yes	56
	Baud rate (note 1)	bPS	Yes	
	Word length (note 1)	LEn	Yes	
	Stop bits (note 1)	Sb _{it}	Yes	58
Parity bits (note 1)	Pr _{ty}	Yes		
o _P t	Output pattern (note 1)	C-oUt	Yes	61
	H linear output range (note 1)	LSEt.H	Yes	64
	L Linear output range (note 1)	LSEt.L	Yes	
	Remote/Local programming (note 1)	r-L	Yes	67

- Note**
1. The availability of the parameters depends on the type of selected Output Board.
 2. The selected bank number will be displayed where the asterisk (*) appears.

3-3 Time Difference: F3



FUNCTION



Basic Operation

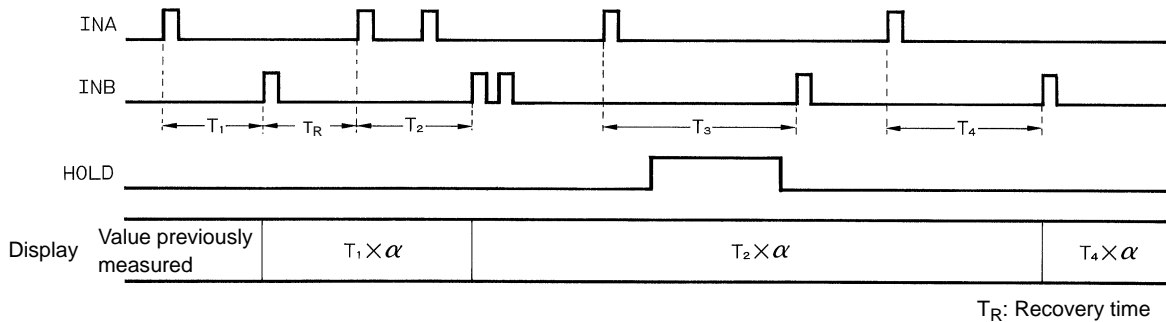
Displays the time (T) in seconds between INA turning ON and INB turning ON. If another unit of measurement is required, input an appropriate prescale value. Obtain the display value D as follows:

$$D \text{ (m/min)} = T \times \alpha$$

T: The time (sec) between INA turning ON and INB turning ON

α : Prescale value

To set a prescale value, refer to 4-2-4 Prescaling Menu.



SETTING

Refer to the following table to set the most suitable prescaling value.

Mode	Unit of display value	Prescale value
Time difference	sec	1
	min	1/60

Note The K3NP can display time, minute, and second. Refer to page 54 for details.



REFERENCE

Refer to 4-2 Setting Mode.

Performance Characteristics

Accuracy of measurement	$\pm 0.08\% \text{ rdg} \pm 1 \text{ digit}$ (ambient temperature: $23^\circ\text{C} \pm 5^\circ\text{C}$)
Measurement range	10 ms to 3200 s
Response time of HOLD input	20 ms max.
Recovery time (T_R)	20 ms min.
ON/OFF pulse width	Sensor with transistor output: 9 μs min. Sensor with relay output: 15 ms min.

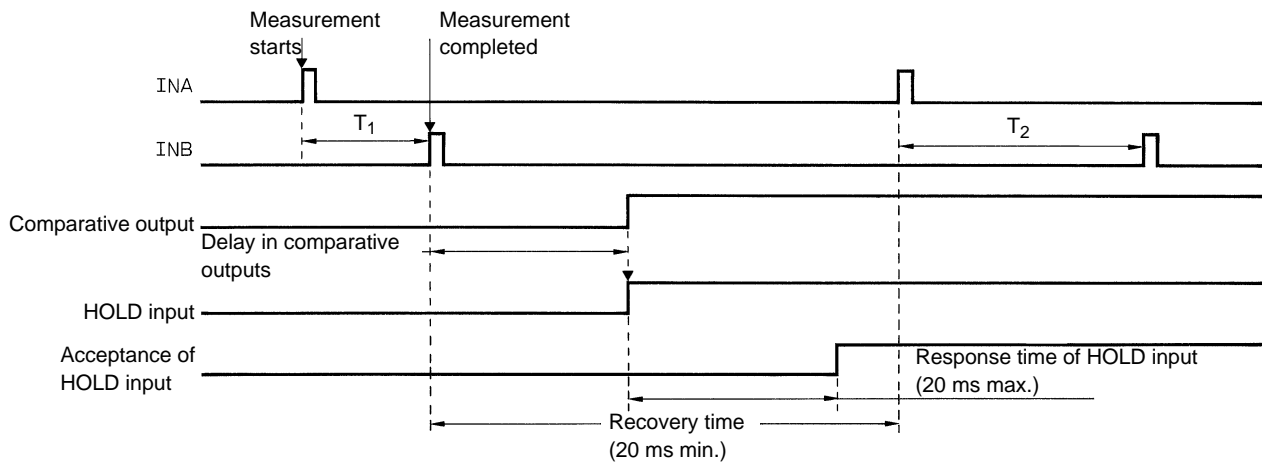
Response time	Output configuration				
	Relay output	Transistor output	BCD and transistor output	Linear and transistor output	Communication and transistor output
Comparative output	25 ms max.	20 ms max.	35 ms max.	35 ms max.	20 ms max.
BCD output	---	---	Refer to page 93.	---	---
Linear output	---	---	---	40 ms max.	---

Response Time of HOLD Input

The response time of the HOLD input is the time required for the K3NP to accept HOLD input after the HOLD input turns ON. This is illustrated in the following diagram.

Recovery Time (T_R)

Recovery time is the period required for the K3NP to become ready for the next measuring operation after a measuring operation is completed. For transistor output Models, comparative output remains ON during recovery time. For other models, comparative output requires more time to turn ON. When the comparative output terminals of the output board and the HOLD input terminals are connected, set a sufficient recovery period, considering the response time of the HOLD input. This is illustrated in the following diagram.



Available functions in this mode are indicated as "Yes" in the following table.

Menu	Function	Displayed Character	Availability	Reference page
---	Max./Min. value display and reset	---	Yes	82
S ₀ SET (note 1)	Set value bank no. of set values	S ₀ b ₀ R ₀ N ₀ P	Yes	42
	HH set value	S ₀ *.HH		
	H set value	S ₀ *. H		
	L set value	S ₀ *. L		
	LL set value	S ₀ *.LL		
P5CL	Set value bank no. of prescale values	P ₅ b ₀ R ₀ N ₀ P	Yes	46
	Prescaling value of input A X (mantissa) Y (exponent)	P5*.R ₀ P5*.R ₀ Y	Yes	
	Decimal point position	dEEP.*	Yes	
SE ₀ UP	Operating mode	FUnE	Yes	50
	Input A sensor type	LnR	Yes	52
	Input B sensor type	LnB	Yes	
	Time unit	tLnE	Yes	54
	Communications unit no. (note 1)	U-n ₀	Yes	56
	Baud rate (note 1)	bP5	Yes	
	Word length (note 1)	LEn	Yes	58
	Stop bits (note 1)	Sb ₀ E	Yes	
	Parity bits (note 1)	PrEY	Yes	
oPE	Output pattern (note 1)	E-oUE	Yes	61
	H linear output range (note 1)	LSET.H	Yes	64
	L Linear output range (note 1)	LSET.L	Yes	
	Remote/Local programming (note 1)	r-L	Yes	67

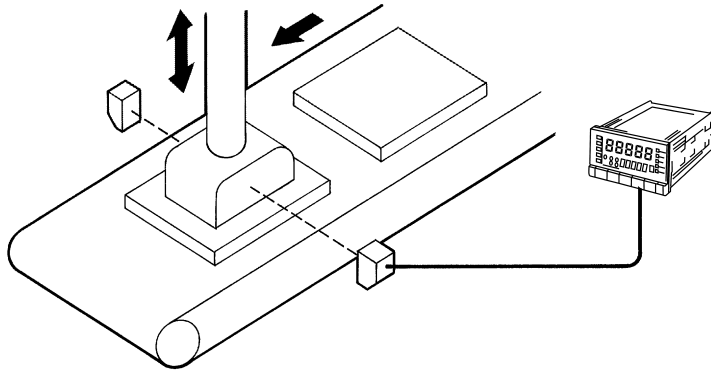
- Note**
1. The availability of the parameters depends on the type of selected Output Board.
 2. The selected bank number will be displayed where the asterisk (*) appears.

3-4 Elapsed Time: F4



FUNCTION

Application example



Measures the pressing time of a printing machine.

Basic Operation

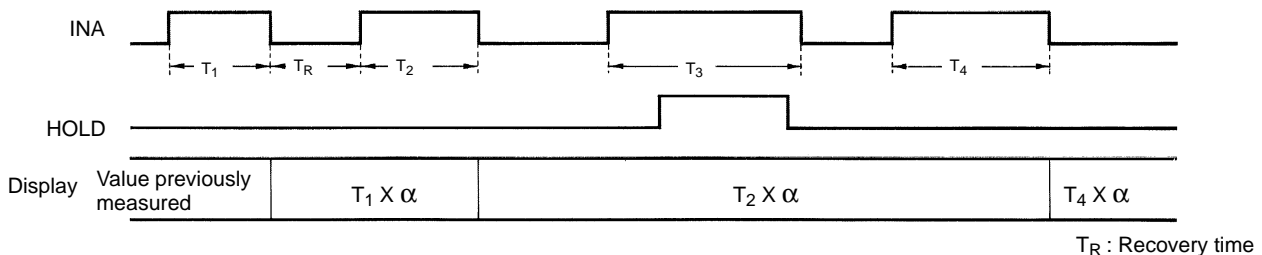
Displays in seconds the time period (T) that INA is ON. If another unit of measurement is required, input an appropriate prescale value. Obtain display value D as follows:

$$D (s) = T \times \alpha$$

T: Time period (sec) INA is ON

α : prescale value

To set a prescale value, refer to *4-2-4 Prescaling Menu*.



T_R : Recovery time



SETTING

Refer to the following table to set the most suitable prescaling value.

Mode	Unit of display value	Prescale value
Elapsed time	sec	1
	min	1/60

Where,
with operating mode 4, INB input is disregarded.

Note The K3NP can display time, minute, and second. Refer to page 54 for details.



REFERENCE

Refer to *4-2 Setting Mode*.

Performance Characteristics

Accuracy of measurement	$\pm 0.08 \text{ rdg} \pm 1 \text{ digit}$ (ambient temperature: $23^{\circ}\text{C} \pm 5^{\circ}\text{C}$)
Measurement range	10 ms to 3200 s
Response time of HOLD input	20 ms max.
Recovery time (T_R)	20 ms min.
ON/OFF pulse width	Sensor with transistor output: 9 μs min. Sensor with relay output: 15 ms min.

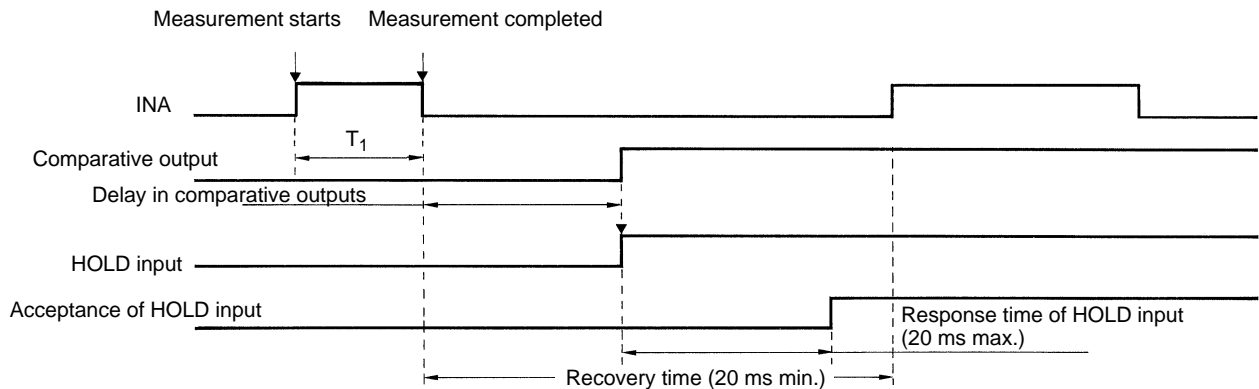
Response time	Output configuration				
	Relay output	Transistor output	BCD and transistor output	Linear and transistor output	Communication and transistor output
Comparative output	25 ms max.	20 ms max.	35 ms max.	35 ms max.	20 ms max.
BCD output	---	---	Refer to page 93.	---	---
Linear output	---	---	---	40 ms max.	---

Response time of HOLD Input

The response time of the HOLD input is the time required for the K3NP to accept HOLD input after the HOLD input turns ON. This is illustrated in the following diagram.

Recovery Time (T_R)

Recovery time is the period required for the K3NP to become ready for the next measuring operation after a measuring operation is completed. For transistor output Models, comparative output remains ON during recovery time. For other models, comparative output requires more time to turn ON. When the comparative output terminals of the output board and the HOLD input terminals are connected, set a sufficient recovery period, considering the response time of the HOLD input. This is illustrated in the following diagram.



Available functions in this mode are indicated as "Yes" in the following table.

Menu	Function	Displayed Character	Availability	Reference page
---	Max./Min. value display and reset	---	Yes	82
S ₀ SET (note 1)	Set value bank no. of set values	S ₀ b ₀ n ₀ P	Yes	42
	HH set value	S ₀ *.HH		
	H set value	S ₀ *. H		
	L set value	S ₀ *. L		
	LL set value	S ₀ *.LL		
P5CL	Set value bank no. of prescale values	P ₅ b ₀ n ₀ P	Yes	46
	Prescaling value of input A X (mantissa) Y (exponent)	P5*.R ₀ P5*.RY	Yes	
	Decimal point position	dECP.*	Yes	
SE ₀ UP	Operating mode	FUnE	Yes	50
	Input A sensor type	LnR	Yes	52
	Input B sensor type	Ln _b	No	
	Time unit	tLnE	Yes	54
	Communications unit no. (note 1)	U-n ₀	Yes	56
	Baud rate (note 1)	bP5	Yes	
	Word length (note 1)	LEn	Yes	58
	Stop bits (note 1)	Sb ₀ E	Yes	
	Parity bits (note 1)	P-rEY	Yes	
o ₀ PE	Output pattern (note 1)	E-o ₀ UE	Yes	61
	H linear output range (note 1)	LSEt.H	Yes	64
	L Linear output range (note 1)	LSEt.L	Yes	
	Remote/Local programming (note 1)	r-L	Yes	67

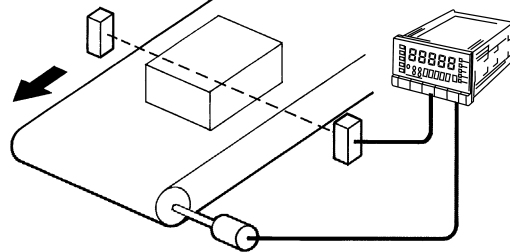
- Note**
1. The availability of the parameters depends on the type of selected Output Board.
 2. The selected bank number will be displayed where the asterisk (*) appears.

3-5 Length Measurement: F5



FUNCTION

Application example



Measures the length of an object.

Basic Operation

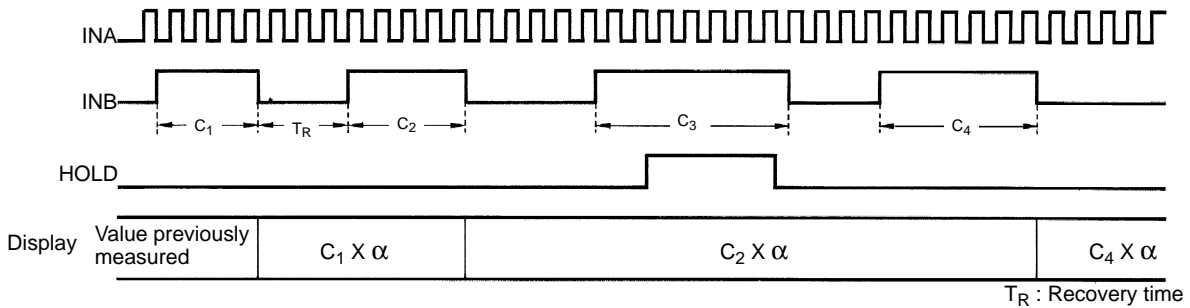
Counts the number of pulses of INA while INB is ON and displays the result. Obtain display value D as follows:

$$D \text{ (pulse count)} = C \times \alpha$$

C: Pulse count of INA while INB input is ON

α : Prescale value

To set a prescale value, refer to 4-2-4 Prescaling Menu.



SETTING

Refer to the following table to set the most suitable prescaling value.

Mode	Unit of display value	Prescale value
Length measurement	mm	$1000 \pi Da / Na$
	cm	$100 \pi Da / Na$
	m	$\pi Da / Na$

Na: Number of pulses per revolution at A input

πDa : Circumference (m) per revolution from A input

Note The K3NP can display time, minute, and second. Refer to page 54 for details.



REFERENCE

Refer to 4-2 Setting Mode.

Performance Characteristics

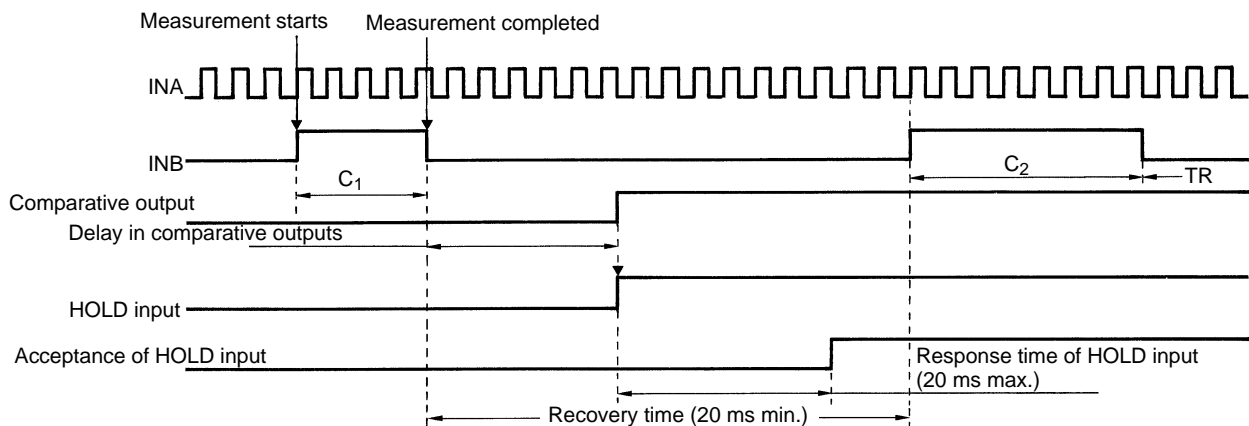
Maximum input frequency of INA	Sensor with transistor output: 50 kHz Sensor with relay output: 30 Hz
Measurement range (C)	0 to 4 G (with 32-bit counter)
Response time of HOLD input	20 ms max.
Recovery time (T _R)	20 ms min.
ON/OFF pulse width	Sensor with transistor output: 9 μs min. Sensor with relay output: 15 ms min.

Response time	Output configuration				
	Relay output	Transistor output	BCD and transistor output	Linear and transistor output	Communication and transistor output
Comparative output	25 ms max.	20 ms max.	35 ms max.	35 ms max.	20 ms max.
BCD output	---	---	Refer to page 93.	---	---
Linear output	---	---	---	40 ms max.	---

Maximum Input Frequency The maximum input frequency is the maximum number of INA input pulses that the K3NP can count accurately.

Response Time of HOLD Input The response time of the HOLD input is the time required for the K3NP to accept HOLD input after the HOLD input turns ON. This is illustrated in the following diagram.

Recovery Time (T_R) Recovery time is the period required for the K3NP to become ready for the next measuring operation after a measuring operation is completed. For transistor output Models, comparative output remains ON during recovery time. For other models, comparative output requires more time to turn ON. When the comparative output terminals of the output board and the HOLD input terminals are connected, set a sufficient recovery period, considering the response time of the HOLD input. This is illustrated in the following diagram.



Available functions in this mode are indicated as "Yes" in the following table.

Menu	Function	Displayed Character	Availability	Reference page
---	Max./Min. value display and reset	---	Yes	82
S _u SEt (note 1)	Set value bank no. of set values	S _b Rn ^P	Yes	42
	HH set value	S _u *.HH		
	H set value	S _u *. H		
	L set value	S _u *. L		
	LL set value	S _u *.LL		
P5CL	Set value bank no. of prescale values	P _b Rn ^P	Yes	46
	Prescaling value of input A X (mantissa) Y (exponent)	P5*.R _X P5*.R _Y	Yes	
	Decimal point position	dECP.*	Yes	
SEtUP	Operating mode	FUnE	Yes	50
	Input A sensor type	LnR	Yes	52
	Input B sensor type	LnB	Yes	
	Time unit	tLnE	No	54
	Communications unit no. (note 1)	U-n _o	Yes	56
	Baud rate (note 1)	bPS	Yes	
	Word length (note 1)	LEn	Yes	58
	Stop bits (note 1)	Sb _{ct}	Yes	
	Parity bits (note 1)	Pr _{ty}	Yes	
oP _t	Output pattern (note 1)	E-oUt	Yes	61
	H linear output range (note 1)	LSEt.H	Yes	64
	L Linear output range (note 1)	LSEt.L	Yes	
	Remote/Local programming (note 1)	r-L	Yes	67

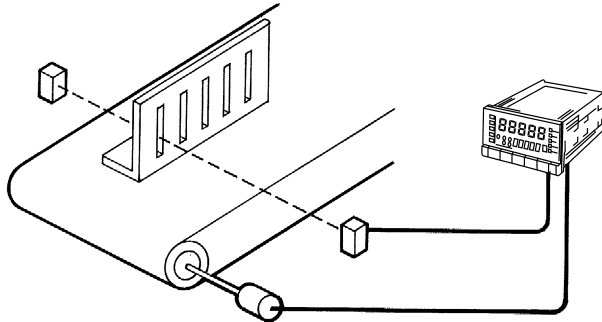
- Note**
1. The availability of the parameters depends on the type of selected Output Board.
 2. The selected bank number will be displayed where the asterisk (*) appears.

3-6 Interval: *FE*



FUNCTION

Application example



Measures the distance between the slits.

Basic Operation

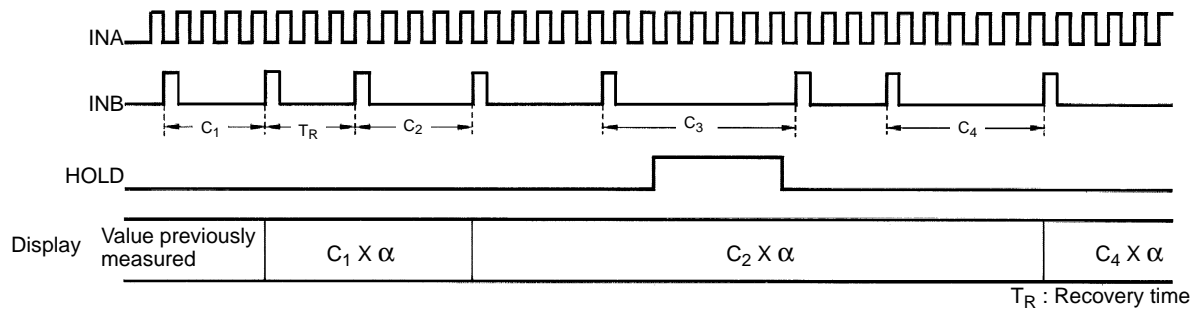
Counts the number of pulses of INA between successive instances of INB turning ON and displays the result. Obtain display value D as follows:

$$D \text{ (pulse count)} = C \times \alpha$$

C: Pulse count of INA while INB input is ON

α : Prescale value

To set a prescale value, refer to *4-2-4 Prescaling Menu*.



SETTING

Refer to the following table to set the most suitable prescaling value.

Mode	Unit of display value	Prescale value
Interval	mm	$1000 \pi Da / Na$
	cm	$100 \pi Da / Na$
	m	$\pi Da / Na$

Na: Number of pulses per revolution at A input

πDa : Circumference (m) per revolution from A input

Note The K3NP can display time, minute, and second. Refer to page 54 for details.



REFERENCE

Refer to *4-2 Setting Mode*.

Performance Characteristics

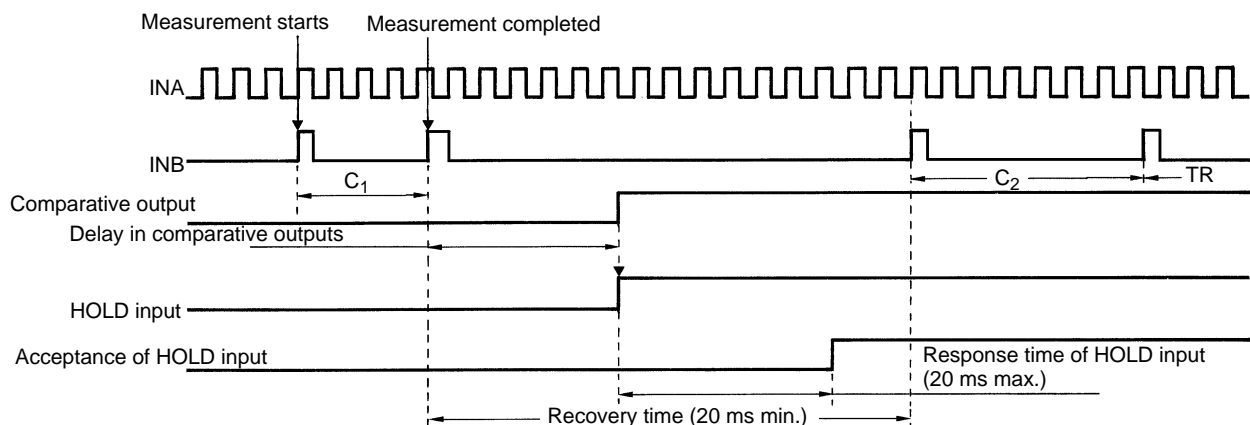
Maximum input frequency of INA	Sensor with transistor output: 50 kHz Sensor with relay output: 30 Hz
Measurement range (C)	0 to 4 G (with 32-bit counter)
Response time of HOLD input	20 ms max.
Recovery time (T_R)	20 ms min.
ON/OFF pulse width	Sensor with transistor output: 9 μ s min. Sensor with relay output: 15 ms min.

Response time	Output configuration				
	Relay output	Transistor output	BCD and transistor output	Linear and transistor output	Communication and transistor output
Comparative output	25 ms max.	20 ms max.	35 ms max.	35 ms max.	20 ms max.
BCD output	---	---	Refer to page 93.	---	---
Linear output	---	---	---	40 ms max.	---

Maximum Input Frequency The maximum input frequency is the maximum number of INA input pulses that the K3NP can count accurately.

Response Time of HOLD Input The response time of the HOLD input is the time required for the K3NP to accept HOLD input after the HOLD input turns ON. This is illustrated in the following diagram.

Recovery Time (T_R) Recovery time is the period required for the K3NP to become ready for the next measuring operation after a measuring operation is completed. For transistor output Models, comparative output remains ON during recovery time. For other models, comparative output requires more time to turn ON. When the comparative output terminals of the output board and the HOLD input terminals are connected, set a sufficient recovery period, considering the response time of the HOLD input. This is illustrated in the following diagram.



Available functions in this mode are indicated as “Yes” in the following table.

Menu	Function	Displayed Character	Availability	Reference page
---	Max./Min. value display and reset	---	Yes	82
<i>SuSEt</i> (note 1)	Set value bank no. of set values	<i>S.brn#</i>	Yes	42
	HH set value	<i>Su*.HH</i>		
	H set value	<i>Su*. H</i>		
	L set value	<i>Su*. L</i>		
	LL set value	<i>Su*.LL</i>		
<i>PSCL</i>	Set value bank no. of prescale values	<i>P.brn#</i>	Yes	46
	Prescaling value of input A X (mantissa) Y (exponent)	<i>PS*.R_X</i> <i>PS*.R_Y</i>	Yes	
	Decimal point position	<i>dECP.*</i>	Yes	
<i>SEtUP</i>	Operating mode	<i>FUnE</i>	Yes	50
	Input A sensor type	<i>LnR</i>	Yes	52
	Input B sensor type	<i>LnB</i>	No	
	Time unit	<i>tLnE</i>	Yes	54
	Communications unit no. (note 1)	<i>U-n_o</i>	Yes	56
	Baud rate (note 1)	<i>bPS</i>	Yes	
	Word length (note 1)	<i>LEn</i>	Yes	58
	Stop bits (note 1)	<i>Sb_{ct}</i>	Yes	
	Parity bits (note 1)	<i>PrLy</i>	Yes	
<i>oPEt</i>	Output pattern (note 1)	<i>E-oUt</i>	Yes	61
	H linear output range (note 1)	<i>LSEt.H</i>	Yes	64
	L Linear output range (note 1)	<i>LSEt.L</i>	Yes	
	Remote/Local programming (note 1)	<i>r-L</i>	Yes	67

- Note**
1. The availability of the parameters depends on the type of selected Output Board.
 2. The selected bank number will be displayed where the asterisk (*) appears.

SECTION 4

Parameter Setting

This section provides instructions for setting the parameters of the K3NP. Be sure to read this section before using the K3NP Period Meter for the first time.

4-1	Overview	38
4-1-1	Heading Symbols	38
4-1-2	Setting Procedures	38
4-2	Setting Mode	39
4-2-1	Selecting Setting Mode	39
4-2-2	Menu Overview	40
4-2-3	Setting Value Menu (<i>SuSEt</i>)	42
	Bank No. of Set Value (<i>S.brnH</i>)	42
	HH Set Value (<i>Su*.HH</i>)	42
	H Set Value (<i>Su*. H</i>)	42
	L Set Value (<i>Su*. L</i>)	42
	LL Set Value (<i>Su*.LL</i>)	42
4-2-4	Prescaling Menu (<i>PScL</i>)	46
	Bank No. of Prescale (<i>P.brnH</i>)	46
	Prescaling Value X (Mantissa) of Input A (<i>P5*.Rw</i>)	46
	Prescaling Value Y (Exponent) of Input A (<i>P5*.Ry</i>)	46
	Decimal Point Position (<i>dECP.*</i>)	46
4-2-5	Setup Menu (<i>SEtUP</i>)	50
	Operating Mode (<i>FUnC</i>)	50
	Sensor Type (<i>LrA, Lrb</i>)	52
	Time Unit (<i>tLnE</i>)	54
	Communications Unit Number (<i>Unn</i>)	56
	Baud Rate (<i>bPS</i>)	56
	Word Length (<i>LEn</i>)	58
	Stop Bits (<i>SbL</i>)	58
	Parity Bits (<i>PrL</i>)	58
4-2-6	Option Menu (<i>oPt</i>)	61
	Comparative Output Pattern (<i>C-oUt</i>)	61
	Upper Limit (H) of Linear Output Range (<i>LSEt.H</i>)	64
	Lower Limit (L) of Linear Output Range (<i>LSEt.L</i>)	64
	Remote/Local Programming (<i>r-L</i>)	67
4-3	Protect Mode	69
4-3-1	Selecting Protect Mode	69
4-3-2	Menu Overview	70
4-3-3	Protect Menu (<i>PrOt</i>)	71
	All Key Protect (<i>RLl</i>)	71
	Setting Value Change Prohibit (<i>SuSEt</i>)	72
	Reset Prohibit (<i>rESEt</i>)	74
	Security (<i>SECr</i>)	76

4-1 Overview

4-1-1 Heading Symbols

The following symbols are used for headings in this section.



FUNCTION

This symbol precedes an explanation of the parameter's meaning and function.



SETTING

This symbol precedes a description of the settings, setting range, and default value.



PROCEDURE

This symbol precedes an explanation of procedures for parameters that specify operations.



REFERENCE

This symbol precedes a listing of references and related parameters.



MODELS

This symbol precedes a listing of the models in which this parameter can be used.

4-1-2 Setting Procedures

- The K3NP has four modes: RUN mode for normal operations, Setting mode for initial parameter input, Protect mode for lock-out configuration, and Maintenance mode for initializing set values. The parameters that are accessible on any individual K3NP will vary depending on the Output Board installed. Refer to *Appendix D Available Parameters*.

- The K3NP is in RUN mode when the K3NP is turned on. Parameter settings in protect or setting mode are described below on the basis that the parameters are set for the first time.

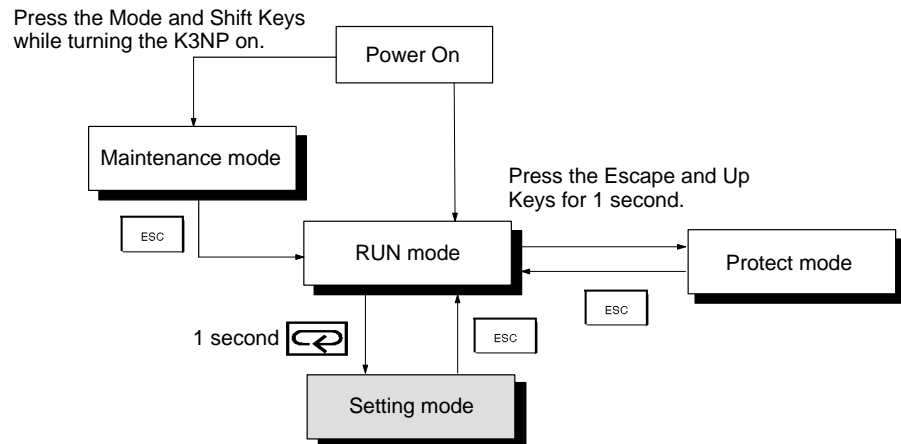
For the operation in RUN mode, refer to *Section 5 Operations in RUN Mode*.

- The setting examples are provided on condition that the factory-set values of the K3NP have not been changed.

4-2 Setting Mode

4-2-1 Selecting Setting Mode

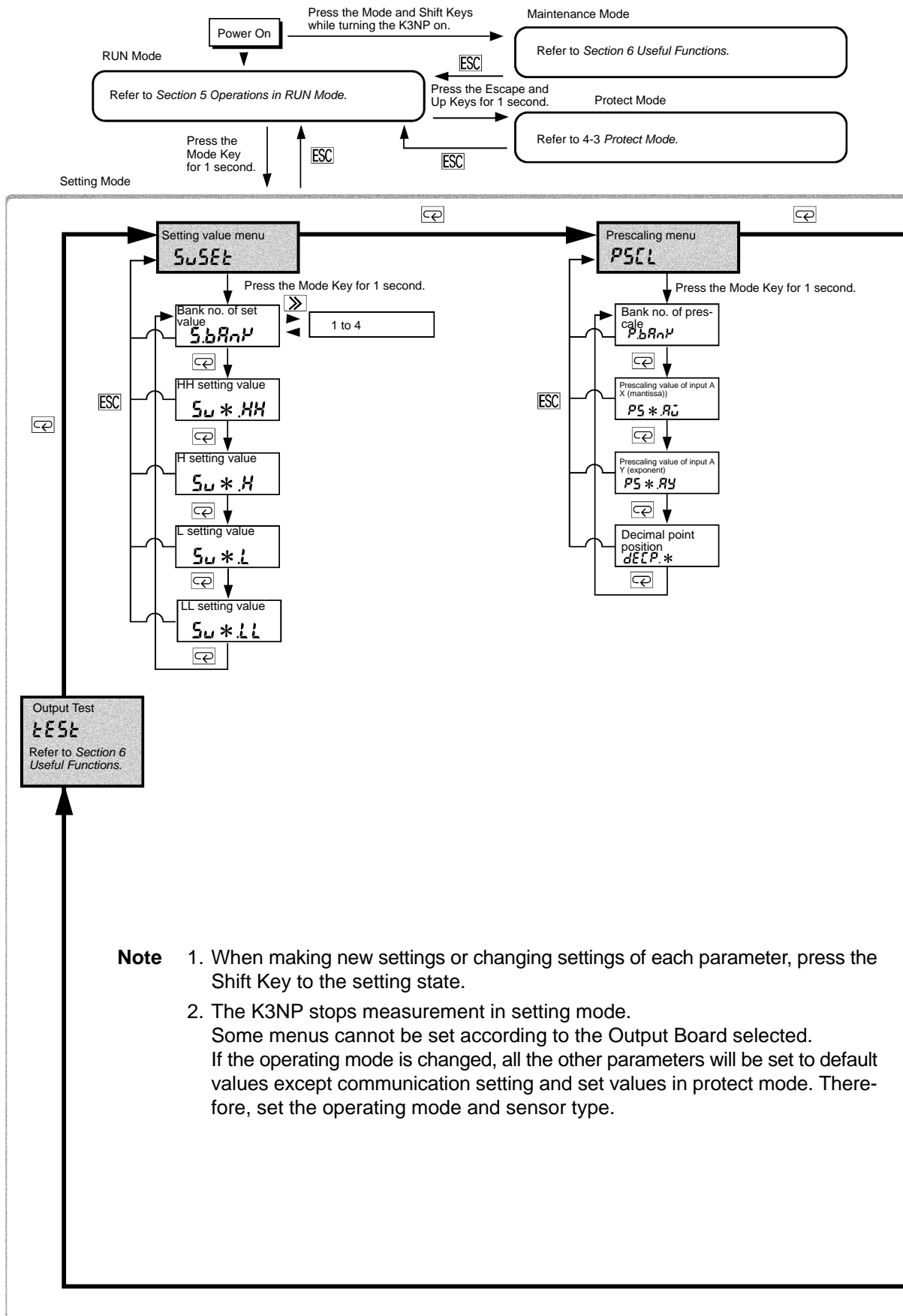
- The K3NP in RUN mode will go into setting mode if the Mode Key is pressed for 1 s minimum.
- The K3NP in setting mode will go into RUN mode if the Escape Key is pressed.



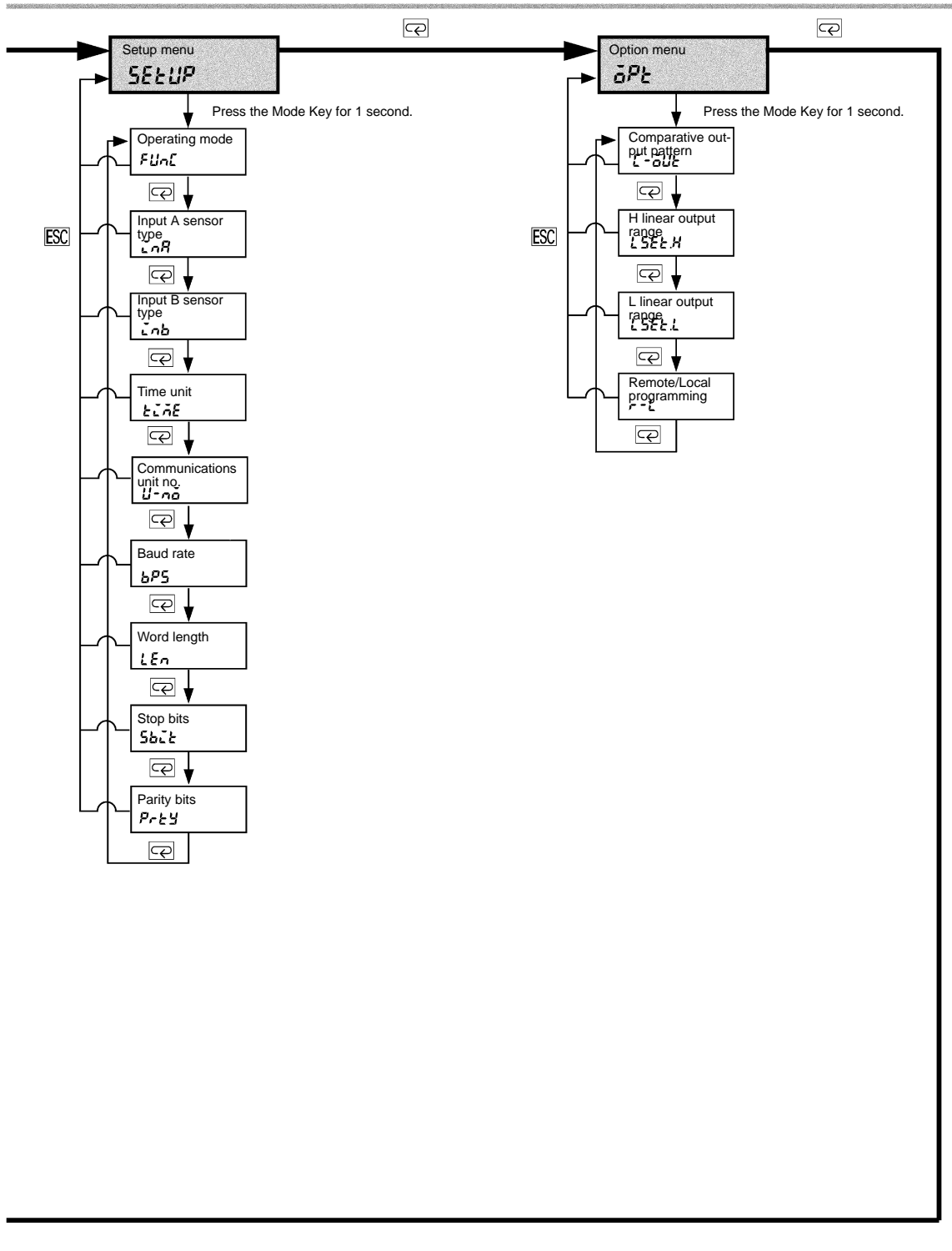
- The menu in each mode changes whenever the Mode Key is pressed.
- If the Mode Key is pressed for more than one second while a menu is displayed, a parameter will be displayed.
- The parameter changes whenever the Mode Key is pressed.
- If the Shift Key is pressed while a parameter is displayed, the parameter will be ready to change.
- Press the Up Key to change parameters.
- The digit of a set value is selected with the Shift Key and changed with the Up Key.
- The PROG indicator is lit while a menu or parameter is displayed.
- The PROG indicator flashes during a set value change.

Note If the operating mode is changed, all the other parameters will be set to default values except for communication settings and set values in protect mode. Therefore, set the operating mode and sensor type first.


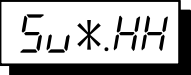
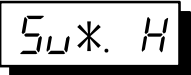
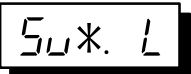

4-2-2 Menu Overview



- Note**
1. When making new settings or changing settings of each parameter, press the Shift Key to the setting state.
 2. The K3NP stops measurement in setting mode. Some menus cannot be set according to the Output Board selected. If the operating mode is changed, all the other parameters will be set to default values except communication setting and set values in protect mode. Therefore, set the operating mode and sensor type.



4-2-3 Setting Value Menu (5u5Et)

	<u>Bank No. of Set Value</u>
	<u>HH Set Value</u>
	<u>H Set Value</u>
	<u>L Set Value</u>
	<u>LL Set Value</u>



FUNCTION



SETTING



MODELS

- There are two basic methods for setting HH, H, L, and LL set values: by entering during RUN mode via the front-panel buttons, setting in Setting mode, or by the teaching function.

Setting	Setting range	Default
Set value bank	1 to 4	1
HH set value	0 to 99999	99,999
H set value	0 to 99999	99,999
L set value	0 to 99999	0
LL set value	0 to 99999	0

Set the decimal point position in the prescaling menu.

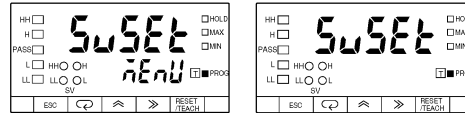
- The menu is only available for the K3NP, with Comparative Output Board.

SETTING EXAMPLE

Follow the steps described below to input the following.

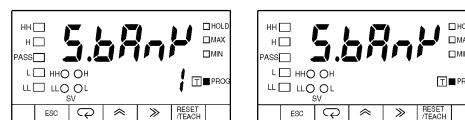
- Setting value bank = 2
- HH setting value = "8000"
- H setting value = "6000"
- L setting value = "4000"
- LL setting value = "2000"

Set Value LED Display Model Basic Model



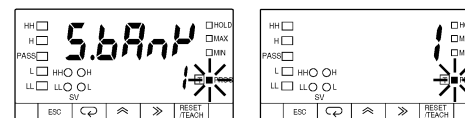
- 1, 2, 3...
1. Press the Mode Key for more than one second while the *SuSEt* setting value menu is displayed. The *S.bAnP* setting value bank setting will be displayed.

Set Value LED Display Model Basic Model



2. Press the Shift Key to display the set value *!* for changing. The PROG indicator will flash.

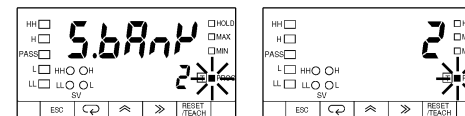
Set Value LED Display Model Basic Model



3. Press the Up Key to set the value to *2*. The input will be validated automatically if no change is made for five seconds. The *S.bAnP* setting value bank setting will be displayed again.

Note Press the Mode Key to enter the set value immediately. The *Su2.HH* HH setting value setting of bank 2 will be displayed for setting the next parameter.

Set Value LED Display Model Basic Model



4. Press the Mode Key to display the *Su2.HH* HH setting value of bank 2 setting.

Set Value LED Display Model Basic Model



5. Press the Shift Key to display the set value *99999* for changing. The PROG indicator will flash.

Set Value LED Display Model Basic Model



- Press the Up and Shift Keys to set the value to 8000. The input will be validated automatically if no change is made for five seconds. The $S_{u2.HH}$ HH setting value of bank 2 setting will be displayed again.

Note Press the Mode Key to enter the set value immediately. The $S_{u2.H}$ H setting value of bank 2 setting will be displayed for setting the next parameter.

Set Value LED Display Model Basic Model



- Press the Mode Key to display the $S_{u2.H}$ H setting value of bank 2 setting.

Set Value LED Display Model Basic Model



- Press the Shift Key to display the set value 99999 for changing. The PROG indicator will flash.

Set Value LED Display Model Basic Model



- Press the Up and Shift Keys to set the value to 6000. The input will be validated automatically if no change is made for five seconds. The $S_{u2.HH}$ HH setting value setting will be displayed again.

Note Press the Mode Key to enter the set value immediately. The $S_{u2.L}$ L setting value of bank 2 setting will be displayed for setting the next parameter.

Set Value LED Display Model Basic Model



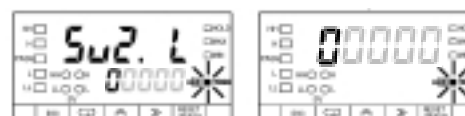
- Press the Mode Key to display the $S_{u2.L}$ L setting value of bank 2 setting.

Set Value LED Display Model Basic Model



- Press the Shift Key to display the set value 00000 for changing. The PROG indicator will flash.

Set Value LED Display Model Basic Model



- Press the Up and Shift Keys to set the value to 4000. The input will be validated automatically if no change is made for five seconds. The *Su2.L L* setting value of bank 2 setting will be displayed again.

Note Press the Mode Key to enter the input immediately. The *Su2.LL LL* setting value setting will be displayed for setting the next parameter.

Set Value LED Display Model Basic Model



- Press the Mode Key to display the *Su2.LL LL* setting of bank 2 value setting.

Set Value LED Display Model Basic Model



- Press the Mode Key to display the set value 00000 for changing. The PROG indicator will flash.

Set Value LED Display Model Basic Model



- Press the Up and Shift Keys to set the value to 2000. The input will be validated automatically if no change is made for five seconds. The *Su2.LL LL* setting value setting will be displayed again.

Note Press the Mode Key to enter the set value immediately. The *Su2.LL LL* setting bank setting will be displayed for setting the next parameter.

Set Value LED Display Model Basic Model



- Press the Escape Key to display the *SuSEt* setting value menu.

Set Value LED Display Model Basic Model



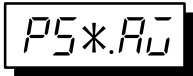
Set Value LED Display Model Basic Model



4-2-4 Prescaling Menu (PSCL)



Bank No. of Prescale



Prescaling Value X (Mantissa) of Input A



Prescaling Value Y (Exponent) of Input A



Decimal Point Position



FUNCTION



SETTING

The measured data of passing speed or cycle is displayed after being multiplied by a preset value (i.e., prescaling value).

Display value = Measured data x Prescaling value

Input type	Setting	Default
<i>P.bAnP</i> : Bank no. of prescale	0FF/1 to 4	0FF
<i>PS*.A0</i> : Prescaling value X (mantissa) of input A	0.0001 to 9.9999	1.0000
<i>PS*.AY</i> : Prescaling value Y (exponent) of input A	-9 to 9	0
<i>dECP.*</i> : Decimal point position	One of the 1st to 4th digits from the right	No decimal point position setting



REFERENCE

Refer to *Section 3 Operating Modes*.

SETTING EXAMPLE

Follow the steps described below to input the following.

Operating mode = F1

Prescaling bank = OFF

Prescaling value X (mantissa) of input A = 0.5000

Prescaling value Y (exponent) of input A = -1

Decimal point = □□□□.□ (First digit from the right)

Set Value LED Display Model Basic Model



- 1, 2, 3...** 1. Press the Mode Key for more than one second while the *PSCL* prescaling menu is displayed. The *P.bAnP* prescaling bank setting will be displayed.

Set Value LED Display Model Basic Model



- Press the Shift Key to display $\bar{\delta}FF$ for changing. The PROG indicator will flash.

Set Value LED Display Model Basic Model



- Press the Up Key to change the prescaling bank setting. The input will be validated automatically if no change is made for five seconds. The $P.bA_nY$ prescaling bank setting will be displayed again.

Note Press the Mode Key to enter the set value immediately. The $PS.A\bar{U}$ prescaling value X (mantissa) of input A setting will be displayed for setting the next parameter.

Set Value LED Display Model Basic Model



- Press the Mode Key to display the $PS.A\bar{U}$ prescaling value X (mantissa) of input A setting.

Set Value LED Display Model Basic Model



- Press the Shift Key to display the set value 1.0000 for changing. The PROG indicator will flash.

Set Value LED Display Model Basic Model



- Press the Up and Shift Keys to set the value to 0.5000 . The input will be validated automatically if no change is made for five seconds. The $PS.A\bar{U}$ prescaling value X (mantissa) of input A setting will be displayed again.

Note Press the Mode Key to enter the set value immediately. The $PS.A\bar{U}$ prescaling value X (mantissa) of input A setting will be displayed for setting the next parameter.

Set Value LED Display Model Basic Model



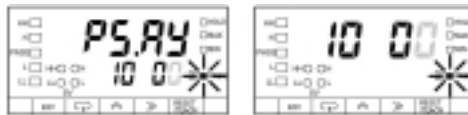
- Press the Mode Key to display the $PS.AY$ prescaling value Y of input A setting.

Set Value LED Display Model Basic Model



8. Press the Shift Key to display the set value $10 \ 00$ for changing.

Set Value LED Display Model Basic Model



9. Press the Up and Shift Keys to set the value to $10 \ - \ 1$. The input will be validated automatically if no change is made for five seconds. The *P5.RY* prescaling value Y (exponent) of input A setting will be displayed again.

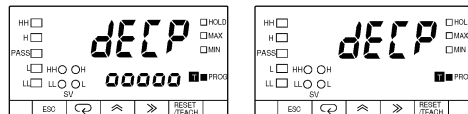
Note Press the Mode Key to enter the set value immediately. The *dECP* decimal point position setting will be displayed for setting the next parameter.

Set Value LED Display Model Basic Model



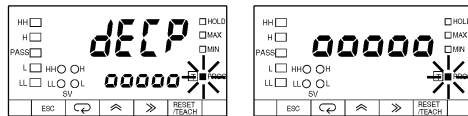
10. Press the Mode Key to display the *dECP* decimal point position setting.

Set Value LED Display Model Basic Model



11. Press the Shift Key to display 00000 for changing.

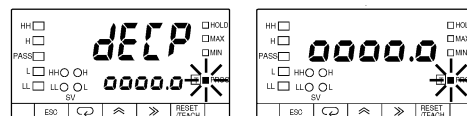
Set Value LED Display Model Basic Model



12. Press the Shift Key to set 0000.0 . The input will be validated automatically if no change is made for five seconds. The *dECP* decimal point position setting will be displayed again.

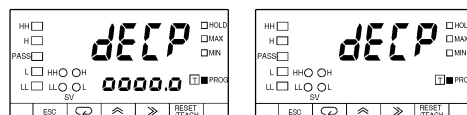
Note Press the Mode Key to enter the set value immediately. The *P.bRnH* prescaling bank setting will be displayed for setting the next parameter.

Set Value LED Display Model Basic Model



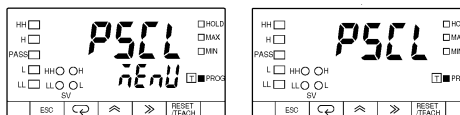
When no operation is executed for five seconds

Set Value LED Display Model Basic Model



13. Press the Escape Key to display the *PSCL* prescaling menu.

Set Value LED Display Model Basic Model



4-2-5 Setup Menu (SETUP)



Operating Mode



FUNCTION

All parameters will be set to default values if any change is made in this parameter, except to those for the communications and protect settings.

F1: Displays the reciprocal of the time (T) between the moment input A is turned ON and the moment input B is turned ON after being multiplied by 60.

F2: Measures and displays the cycle (T) of input A as is.

F3: Displays the time between the moment input A is turned ON and the moment input B is turned ON as is.

F4: Displays the elapsed time (T) of input A.

F5: Displays the number of pulses of input A counted while input B is ON.

F6: Displays the number of pulses of input A counted between the moment input B is turned ON and the moment input B is turned ON again.



SETTING

Setting	Default
<i>F1</i> : Passing speed	<i>F1</i>
<i>F2</i> : Cycle	
<i>F3</i> : Time difference	
<i>F4</i> : Elapsed time	
<i>F5</i> : Length measurement	
<i>F6</i> : Interval	



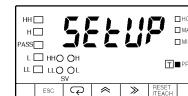
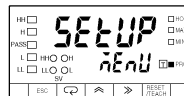
REFERENCE

Refer to *Section 3 Operating Modes*.

SETTING EXAMPLE

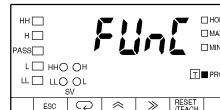
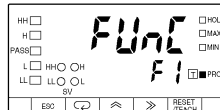
Follow the steps described below to select the *F4* elapsed time setting.

Set Value LED Display Model Basic Model



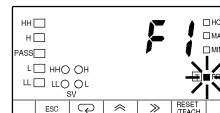
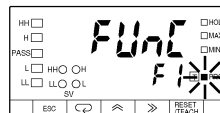
- 1, 2, 3... 1. Press the Mode Key for more than one second while the *SETUP* setup menu is displayed. The *FUnC* operating mode setting will appear.

Set Value LED Display Model Basic Model



2. Press the Shift Key to display *F1* for changing. The PROG indicator will flash.

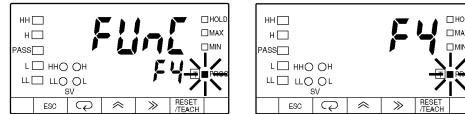
Set Value LED Display Model Basic Model



- Repeatedly press the Up Key until *F4* is displayed. The displayed setting will be validated automatically if no change is made for five seconds. The *FUnC* operating mode setting will be displayed again.

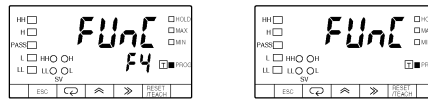
Note Press the Mode Key to enter the displayed setting immediately. The next parameter will be displayed for setting.

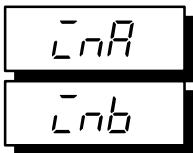
Set Value LED Display Model Basic Model



- Repeatedly press the Escape Key until the *SEtUP* setup menu is displayed.

Set Value LED Display Model Basic Model





Sensor Type



FUNCTION



SETTING

- Specifies the type of sensors for input A and input B.
- The sensor type of input B cannot be selected if the operating mode of the K3NP is set to *F2* (cycle) or *F4* (elapsed time).
- Open Collector Input

Sensor type	Normally open	Normally closed	Default
Transistor input	00	01	00
Relay input	10	11	

Normally Open Model: The sensor output is OFF (open) when the sensor is not sensing an object.

Normally Closed Model: The sensor output is ON (closed) when the sensor is not sensing an object.

- Voltage Pulse Input

Sensor type	Active high (H)	Active low (L)	Default
Transistor input	00	01	00

SETTING EXAMPLE

Follow the steps described below to set input A to *11* in operating mode *F1* (passing speed).

Set Value LED Display Model Basic Model



- 1, 2, 3... 1. Press the Mode Key for more than one second while the *SETUP* setup menu is displayed. The *FnU* operating mode setting will appear.

Set Value LED Display Model Basic Model



2. Press the Mode Key to display *LnA* input A sensor type setting.

Set Value LED Display Model Basic Model



3. Press the Shift Key to display *00* for changing. The PROG indicator will flash.

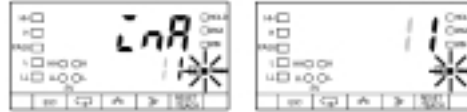
Set Value LED Display Model Basic Model



- Press the Up and Shift Keys to display *!!*. The displayed setting will be validated automatically if no change is made for five seconds. The *LnR* input A sensor type setting will be displayed again.

Note Press the Mode Key to enter the displayed setting immediately. The next parameter will be displayed.

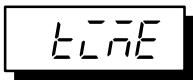
Set Value LED Display Model Basic Model



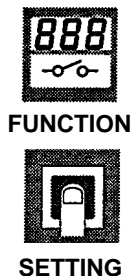
- Press the Escape Key to display the *SETUP* setup menu.

Set Value LED Display Model Basic Model





Time Unit



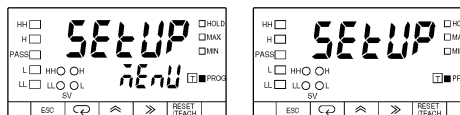
The time unit can be selected to display the calculation results of F2 (cycle), F3 (time difference), and F4 (elapsed time).

Unit	Display range	Default
SCAL	0 to 99,999	SCAL
SEC	Displayed in seconds within a range between 0 and 99,999 s.	
mLn	Displayed minutes within a range between 0 and 99,999 min.	
mLn.ss.d	Displayed in minutes and seconds (1/100 s) within a range between 00 min, 00 s 0 and 59 min, 59 s, 9.	

SETTING EXAMPLE

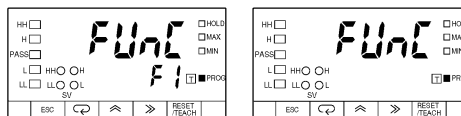
Follow the steps described below to set SEC second unit setting.

Set Value LED Display Model Basic Model



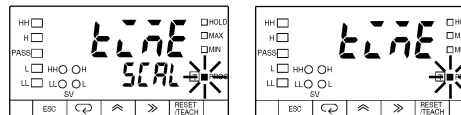
- 1, 2, 3... 1. Press the Mode Key for more than one second while the SETUP setup menu is displayed. The FUNC operating mode setting will appear.

Set Value LED Display Model Basic Model



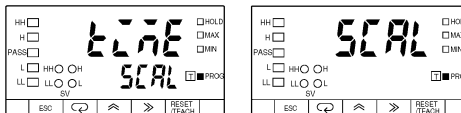
2. Repeatedly press the Escape Key until tLrE time unit setting is displayed.

Set Value LED Display Model Basic Model

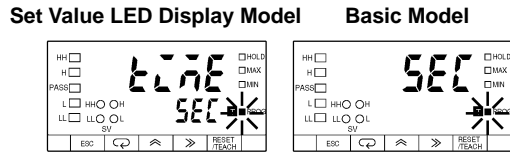


3. Press the Shift Key to display SCAL for changing. The PROG indicator will flash.

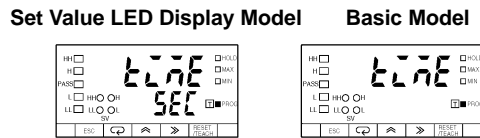
Set Value LED Display Model Basic Model



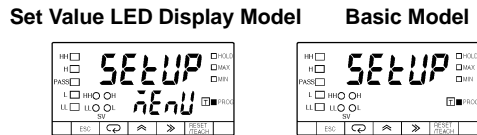
- Press the Up Key to display *SEC*. The input will be validated automatically if no change is made for five seconds. The *SEC* time unit setting will be displayed again.

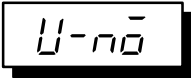


When no operation is executed for five seconds



- Press the Escape Key to display the *SETUP* setup menu.





Communications Unit Number



Baud Rate



FUNCTION

- Set a communications unit number as an identification number by which the host computer is connected to the K3NP.
- If more than one K3NP is connected in parallel, make sure that each communications unit number is unique.
- The baud rate should be set to the baud rate of the host computer.



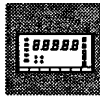
SETTING

- Communications Unit Number

Setting range	Unit	Default
00 to 99	---	00

- Baud Rate

Setting range	Default
1200: 1,200 bps / 2400: 2,400 bps / 4800: 4,800 bps / 9600: 9,600 bps / 19200: 19.2 Kbps / 38400: 38.4 Kbps	9600



MODELS

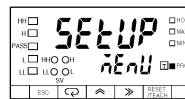
This setting is available for the K3NP with the Communications Output Board.

SETTING EXAMPLE

Follow the steps described below to set the communications unit number to 15 and the baud rate to 19,200 bps.

Set Value LED Display Model

Basic Model



- 1, 2, 3...**
1. Press the Mode Key for more than one second while the *SETUP* setup menu is displayed. The *FUnC* operating mode setting will appear.

Set Value LED Display Model

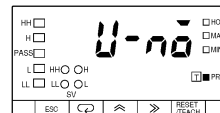
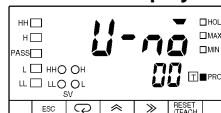
Basic Model



2. Repeatedly press the Mode Key until the *U-nā* communications unit number setting is displayed.

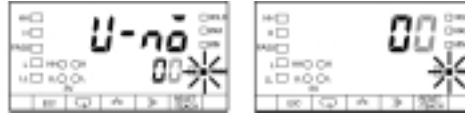
Set Value LED Display Model

Basic Model



- Press the Shift Key to display the prior set value *00* for changing. The PROG indicator will flash.

Set Value LED Display Model Basic Model



- Press the Up and Shift Keys to set the value to *15*. The input value will be validated automatically if no change is made for five seconds. The *U-n0* communications unit number setting will be displayed again.

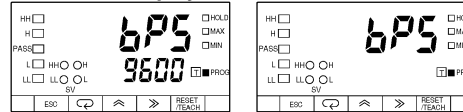
Note Press the Mode Key to enter the set value immediately. The next parameter will be displayed for setting.

Set Value LED Display Model Basic Model



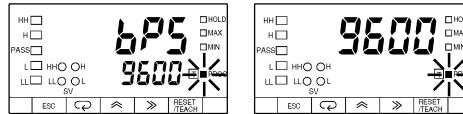
- Press the Mode Key to display the *6PS* baud rate setting.

Set Value LED Display Model Basic Model



- Press the Shift Key to display the prior set value *9600* for changing. The PROG indicator will flash.

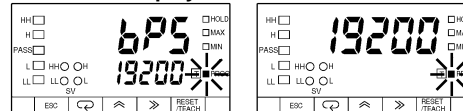
Set Value LED Display Model Basic Model



- Press the Up Key to set the value to *19200*. The input will be validated automatically if no change is made for five seconds. The *6PS* baud rate setting will be displayed again.

Note Press the Mode Key to enter the set value immediately. The next parameter will be displayed again for setting.

Set Value LED Display Model Basic Model



- Press the Up Key to enter the set value for setting the next parameter. The input value will be validated automatically if no change is made for five seconds. The *6PS* baud rate setting will be displayed again.

Set Value LED Display Model Basic Model





Word Length

Stop Bits

Parity Bits



FUNCTION



SETTING

- The communications format used for communicating with the host computer is set in the setup menu.
- Refer to the *Communications Manual* for the communications format in detail.

- Word Length

Setting	Unit	Default
7/8	bit	7

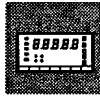
- Stop Bits

Setting	Unit	Default
1/2	bit	2

- Parity Bit

Setting	Default
$n\bar{o}nE$: None	$E\bar{u}E\bar{n}$
$E\bar{u}E\bar{n}$: Even	
$\bar{o}d\bar{d}$: Odd	

This setting is available for the K3NP with the Communications Output Board.



MODELS

SETTING EXAMPLE

Follow the steps described below to set the following.

Word length: 8 bits
 Number of stop bits: 1
 Parity bits: $n\bar{o}nE$

Set Value LED Display Model

Basic Model



- 1, 2, 3... 1. Press the Mode Key for more than one second while the *SETUP* setup menu is displayed. The *FUnE* operating mode setting will appear.

Set Value LED Display Model

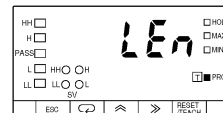
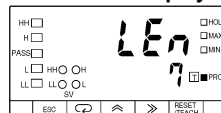
Basic Model



2. Repeatedly press the Mode Key until the *LEn* word length setting is displayed.

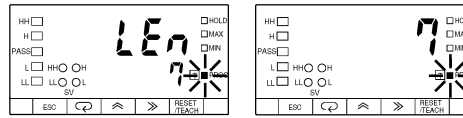
Set Value LED Display Model

Basic Model



- Press the Shift Key to display the prior set value 7 for changing. The PROG indicator will flash.

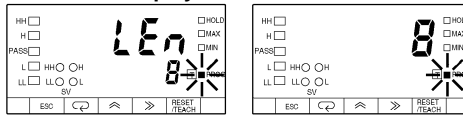
Set Value LED Display Model Basic Model



- Press the Up Key to set the value to 8. The input value will be validated automatically if no change is made for five seconds. The LEN word length setting will be displayed again.

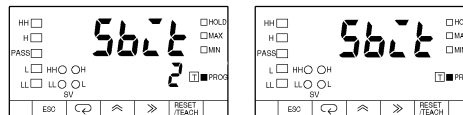
Note Press the Mode Key to enter the set value immediately. The next parameter will be displayed for setting.

Set Value LED Display Model Basic Model



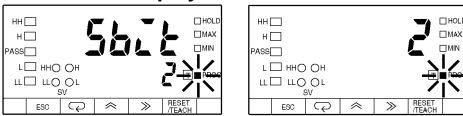
- Press the Mode Key to display the 5bit stop bit setting.

Set Value LED Display Model Basic Model



- Press the Shift Key to display the set value 2 for changing.

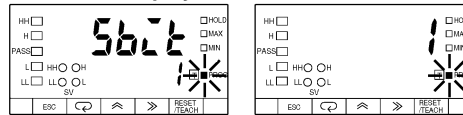
Set Value LED Display Model Basic Model



- Press the Up Key to set the value to 1. The input will be validated automatically if no change is made for five seconds. The 5bit stop bit setting will be displayed again.

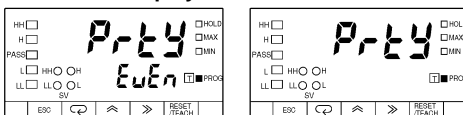
Note Press the Mode Key to enter the set value immediately. The next parameter will be displayed for setting.

Set Value LED Display Model Basic Model



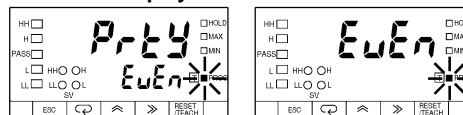
- Press the Mode Key to display the Parity bit setting.

Set Value LED Display Model Basic Model



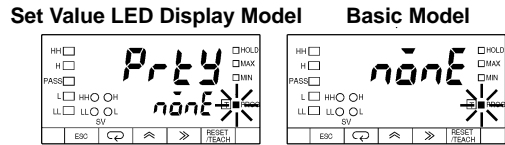
- Press the Shift Key to display Even for changing.

Set Value LED Display Model Basic Model

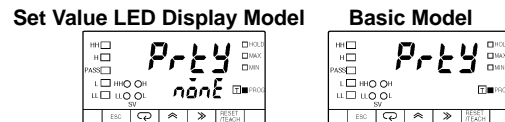


- Press the Up Key to display $n\bar{o}nE$. The setting will be validated automatically if no change is made for five seconds. The P_rEY parity bit setting will be displayed again.

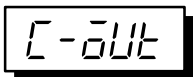
Note Press the Mode Key to enter the setting immediately. The next parameter will be displayed for setting.



When no operation is executed for five seconds



4-2-6 Option Menu (OPT)



Comparative Output Pattern



FUNCTION

- The pattern of HH, H, L, LL, and PASS comparative outputs is set in the option menu.



SETTING

Setting	Default
nōnAL: Standard output	nōnAL
ZōnE: Zone output	
LEuEL: Level output	



REFERENCE

Standard Output

H or HH Comparative Output:

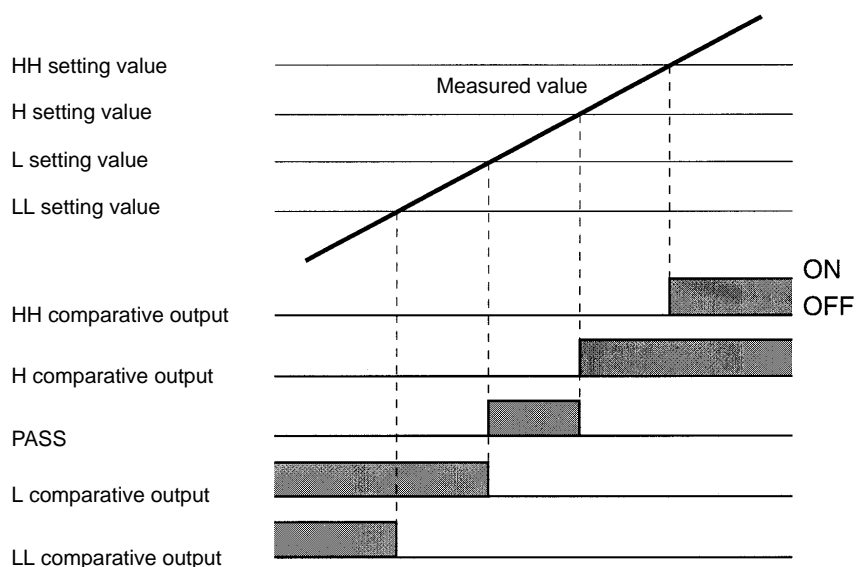
Turns ON when the measured value is larger than the H or HH setting value.

PASS Output:

Turns ON when LL, L, H, and HH comparative outputs are all OFF.

L or LL Comparative Output:

Turns ON when the measured value is smaller than the L or LL setting value.



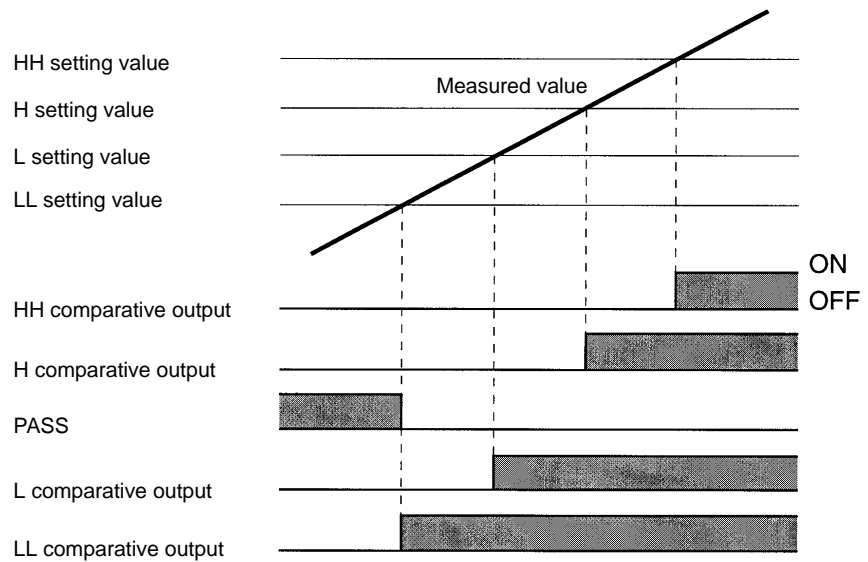
Level Output

LL, L, H, or HH Comparative Output:

Turns ON when the measured value exceeds the LL, L, H, or HH setting value.

PASS Output:

Turns ON when the LL, L, H, and HH comparative outputs are all OFF.



Zone Output

HH Comparative Output:

Turns ON when the measured value exceeds the HH setting value.

H Comparative Output:

Turns ON when the measured value is between the H and HH setting values.

PASS Output:

Turns ON when the measured value is between the L and H setting values.

L Comparative Output:

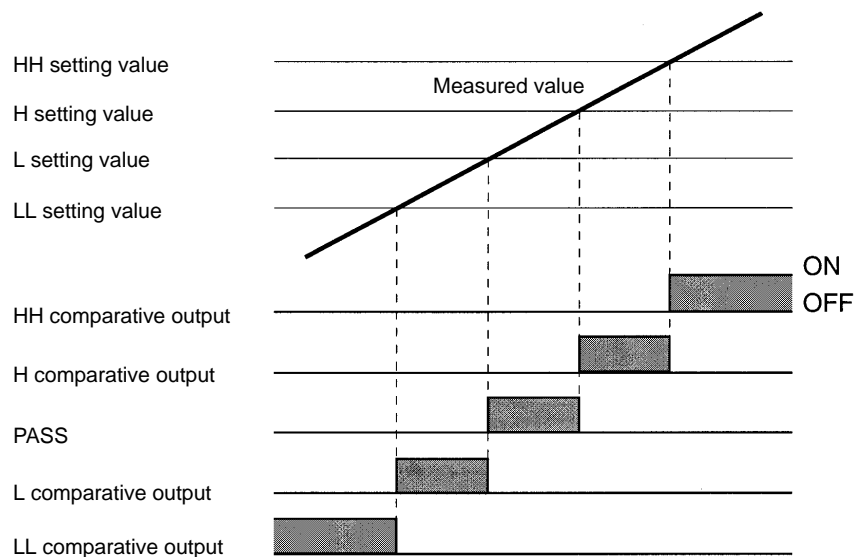
Turns ON when the measured value is between the LL and L setting values.

LL Comparative Output:

Turns ON when the measured value falls below the LL setting value.

Be sure to set the setting values so they satisfy the following formula:

$$LL < L < H < HH$$





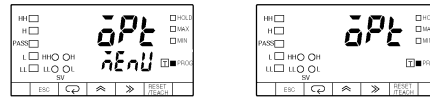
MODELS

This setting is only available for the K3NP with the Comparative Output Unit.-

SETTING EXAMPLE

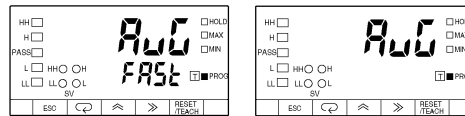
Follow the steps described below to set the comparative output pattern to level output.

Set Value LED Display Model Basic Model



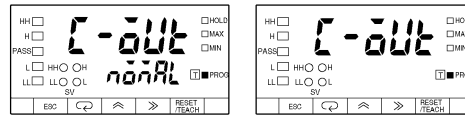
- 1, 2, 3...
1. Press the Mode Key for more than one second while the *dPt* option menu is displayed. The *AVG* process time for averaging measured value setting will appear.

Set Value LED Display Model Basic Model



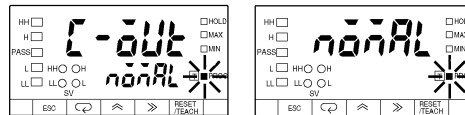
2. Repeatedly press the Mode Key until the *C-out* comparative output pattern setting is displayed.

Set Value LED Display Model Basic Model



3. Press the Shift Key to display the prior setting *nORAL* for changing. The PROG indicator will flash.

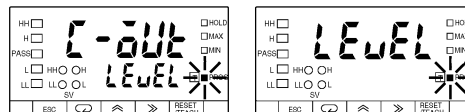
Set Value LED Display Model Basic Model



4. Press the Up Key twice to display *LEVEL*. The setting will be validated automatically if no change is made for five seconds. The *C-out* comparative output pattern setting will be displayed again.

Note Press the Mode Key to enter the setting immediately. The next parameter will be displayed for setting.

Set Value LED Display Model Basic Model



When no operation is executed for five seconds

Set Value LED Display Model Basic Model



L5Et.H

Upper Limit (H) of Linear Output Range

L5Et.L

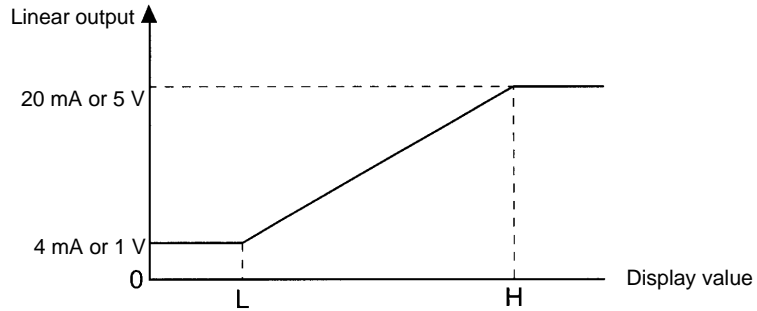
Lower Limit (L) of Linear Output Range



FUNCTION

Linear output setting is made in the option menu to enable the K3NP to have voltage or current output in proportion to the change in display value.

- The maximum and minimum values of linear output are set in this parameter.

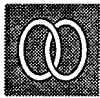


- L can be greater or less than H.
- L cannot be the same as H, otherwise H will be automatically set to a value obtained by adding 1 to L.
- The teaching function can be used for setting linear output ranges.



SETTING

Setting range	Default	
0 to 99999	H linear output range	99999
	L linear output range	0



REFERENCE

Refer to 6-1 Teaching Function.



MODELS

This setting is available for the K3NP with the Linear Output Board.

SETTING EXAMPLE

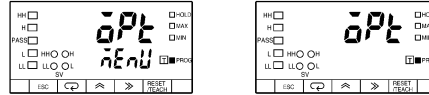
Follow the steps described below to set the following.

H: 100.00

L: 1.00

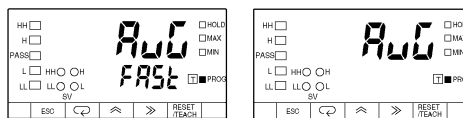
(Assume that the decimal point is set between the 2nd and 3rd digit from the right in the prescale menu.)

Set Value LED Display Model Basic Model



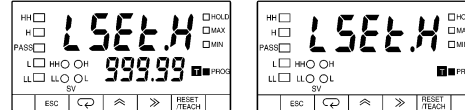
- 1, 2, 3...
1. Press the Mode Key for more than one second while the *dPt* option menu is displayed. The *RuU* process time for averaging measured value setting will appear.

Set Value LED Display Model Basic Model



2. Repeatedly press the Mode Key until the *LSEt.H* H linear output range setting is displayed.

Set Value LED Display Model Basic Model



3. Press the Shift Key to display the prior set value *999.99* for changing. The PROG indicator will flash.

Set Value LED Display Model Basic Model



4. Press the Up and Shift Keys to set the value to *100.00*. The setting will be validated automatically if no change is made for five seconds. The *LSEt.H* H linear output range setting will be displayed again.

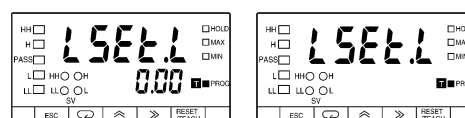
Note Press the Mode Key to enter the set value immediately. The next parameter will be displayed for setting.

Set Value LED Display Model Basic Model



5. Press the Mode Key to display the *LSEt.L* L linear output range setting.

Set Value LED Display Model Basic Model



- Press the Shift Key to display the prior set value 000.00 for changing. The PROG indicator will flash.

Set Value LED Display Model Basic Model



- Press the Up and Shift Keys to set the value to 00 1.00. The setting will be validated automatically if no change is made for five seconds. The LSEt.L L linear output range setting will be displayed again.

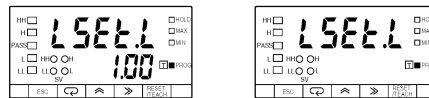
Note Press the Mode Key to enter the set value immediately. The next parameter will be displayed for setting.

Set Value LED Display Model Basic Model



When no operation is executed for five seconds

Set Value LED Display Model Basic Model



r-L

Remote/Local Programming



FUNCTION



SETTING



MODELS

- The K3NP can be set to remote or local mode in the option menu. The K3NP in remote mode is operated through the host computer and the K3NP in local mode is operated through the front panel key input.

Setting	Default
Remote: <i>rñt</i>	<i>LCL</i>
Local: <i>LCL</i>	

This setting is available for the K3NP with the Communications Output Board.

SETTING EXAMPLE

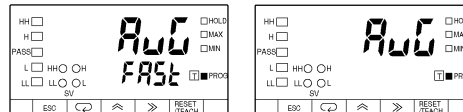
Follow the steps described below to set the K3NP to remote programming.

Set Value LED Display Model Basic Model



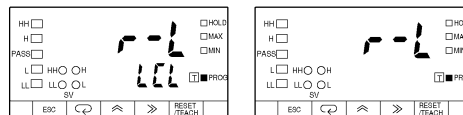
- 1, 2, 3...
- Press the Mode Key for more than one second while the *opt* option menu is displayed. The *Aut* setting will appear.

Set Value LED Display Model Basic Model



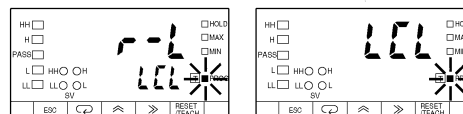
- Repeatedly press the Mode Key until the *r-L* remote/local setting is displayed.

Set Value LED Display Model Basic Model



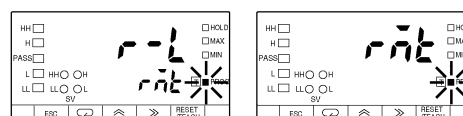
- Press the Shift Key to display the prior setting *LCL* for changing. The PROG indicator will flash.

Set Value LED Display Model Basic Model



- Press the Up Key to display *rñt*.

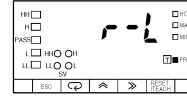
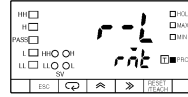
Set Value LED Display Model Basic Model



5. The setting will be validated automatically if no change is made for five seconds. The $r-l$ comparative output pattern again.

Note Press the Mode Key to enter the setting immediately. The $r-l$ remote/local setting will be displayed again.

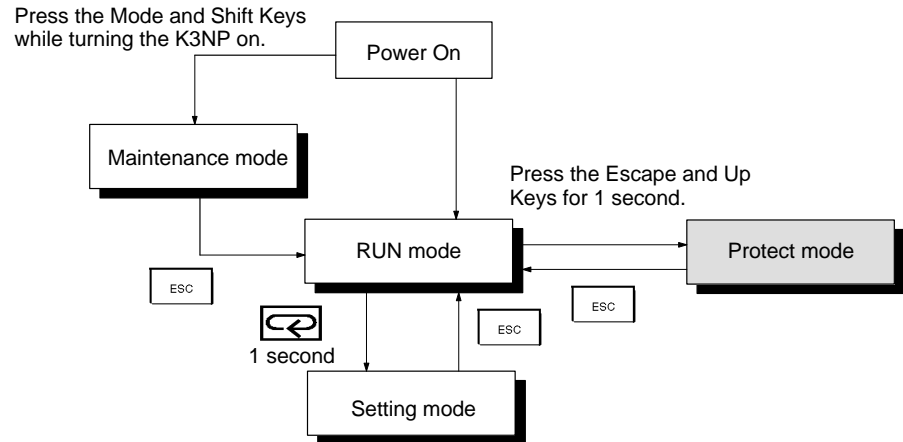
Set Value LED Display Model Basic Model



4-3 Protect Mode

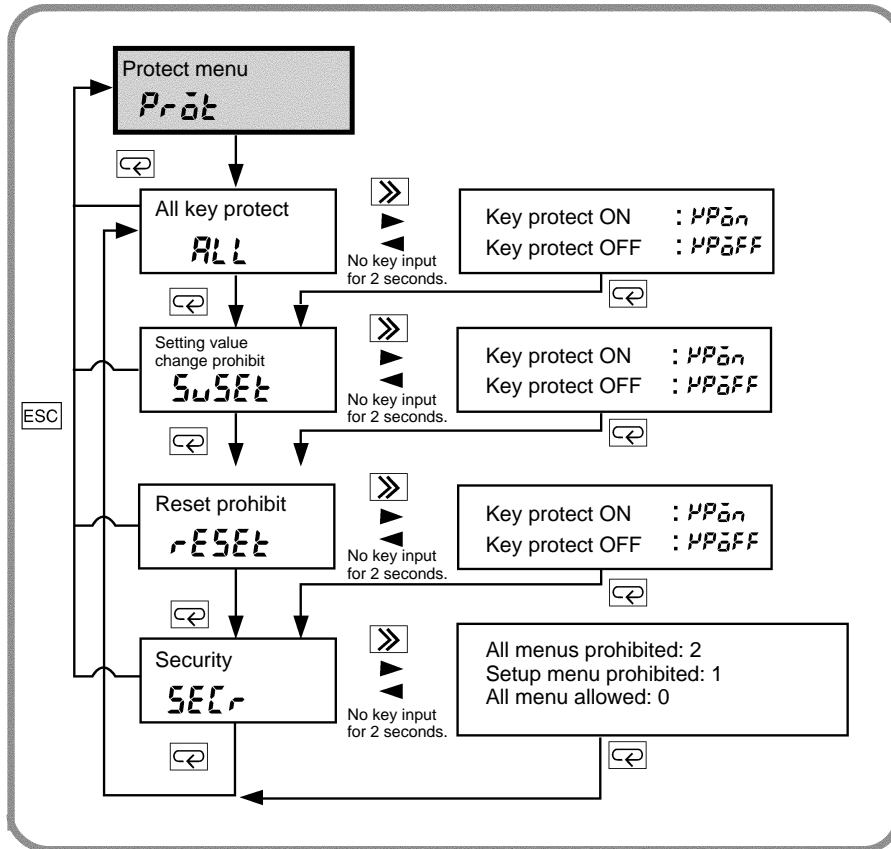
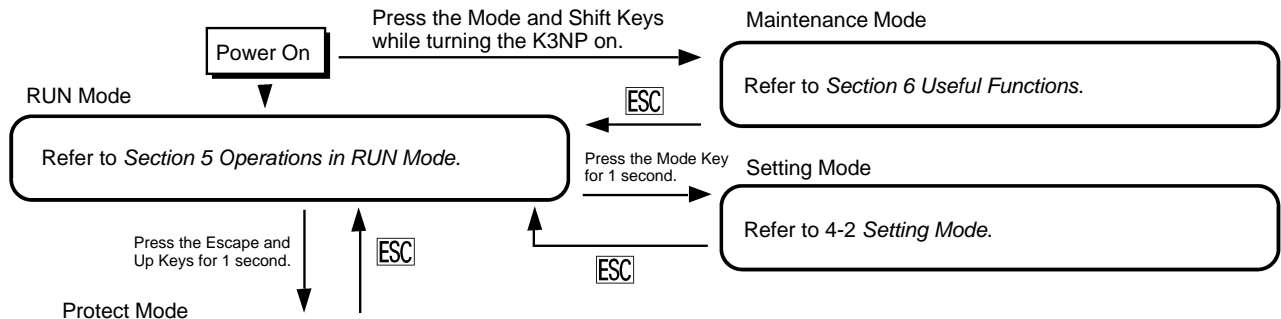
4-3-1 Selecting Protect Mode

- The K3NP in RUN mode will go into protect mode if the Escape and Up Keys are pressed for more than 1 second.
- The K3NP in protect mode will go into RUN mode if the Escape Key is pressed.



- If the Mode Key is pressed for more than one second while a menu is displayed, a parameter will be displayed.
- The parameter changes whenever the Mode Key is pressed.
- If the Shift Key is pressed while a parameter is displayed, the parameter will be ready to change.
- Press the Up Key to change parameters.

4-3-2 Menu Overview



- Note**
1. The K3NP stops measurement in setting mode.
 2. Some menus cannot be set due to the display type or output type selected.

4-3-3 Protect Menu (*Prōt*)

ALL

All Key Protect



FUNCTION



SETTING

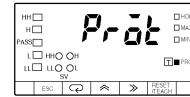
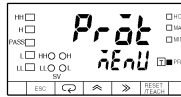
- The operation of all keys can be prohibited in the protect menu.

Setting	Default
<i>HPōn</i> : Key protect ON	<i>HPōFF</i>
<i>HPōFF</i> : Key protect OFF	

SETTING EXAMPLE

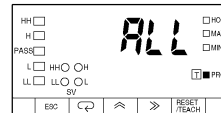
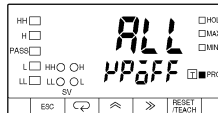
Follow the steps described below to set the key protect to ON.

Set Value LED Display Model Basic Model



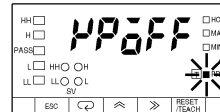
- 1, 2, 3...
- Press the Mode Key for more than one second while the *Prōt* protect menu is displayed. The *ALL* all key protect setting will appear.

Set Value LED Display Model Basic Model



- Press the Shift Key to display the prior setting *HPōFF* for changing. The PROG indicator will flash.

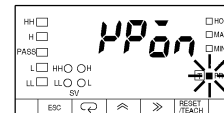
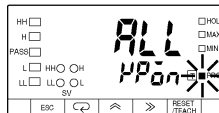
Set Value LED Display Model Basic Model



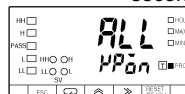
- Press the Up Key to display *HPōn*. The setting will be validated automatically if no change is made for five seconds. The *ALL* all key protect setting will be displayed again.

Note Press the Mode Key to enter the setting immediately. The next parameter will be displayed for setting.

Set Value LED Display Model Basic Model



When no operation is executed for five seconds



SuSEt

Setting Value Change Prohibit



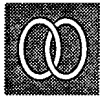
FUNCTION

- The setting value change of the K3NP in RUN mode with the front-panel input can be prohibited in the protect menu.



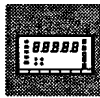
SETTING

Setting	Default
HP _{On} : Key protect ON	HP _{OFF}
HP _{OFF} : Key protect OFF	



REFERENCE

Refer to 5-1 Checking and Changing Setting Values.



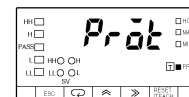
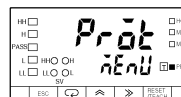
MODELS

This setting is only available for the K3NP with the Comparative Output Unit.

SETTING EXAMPLE

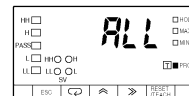
Follow the steps described below to set the setting value change prohibit to ON.

Set Value LED Display Model Basic Model



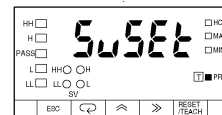
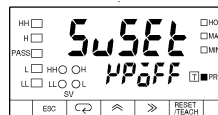
- 1, 2, 3...
1. Press the Mode Key for more than one second while the *Pröt* protect menu is displayed. The *ALL* all key protect setting will appear.

Set Value LED Display Model Basic Model



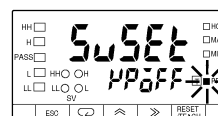
2. Press the Mode Key to display the *SuSEt* setting value prohibit setting.

Set Value LED Display Model Basic Model



3. Press the Shift Key to display the prior setting *HP_{OFF}* for changing. The PROG indicator will flash.

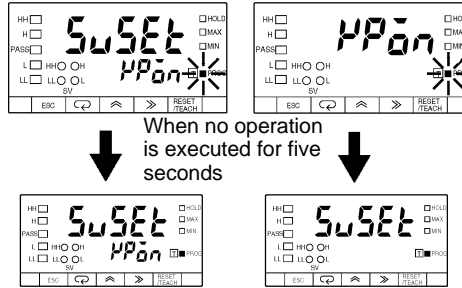
Set Value LED Display Model Basic Model



- 4. Press the Up Key to display $HP\bar{O}n$. The setting will be validated automatically if no change is made for five seconds. The $SuSEt$ setting value prohibit setting will be displayed again.

Note Press the Mode Key to enter the setting immediately. The next parameter will be displayed for setting.

Set Value LED Display Model Basic Model



rESEt

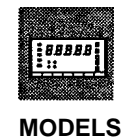
Reset Prohibit



- Prohibits the resetting of the K3NP to the initial state and the resetting of max./min. value with key input.
- This function does not prohibit the resetting of the K3NP with external signal input.



Setting	Default
HP $\bar{o}n$: Key protect ON	HP $\bar{o}FF$
HP $\bar{o}FF$: Key protect OFF	



Refer to 5-3 External Input Signals.

SETTING EXAMPLE

Follow the steps described below to set key protect ON.

Set Value LED Display Model Basic Model



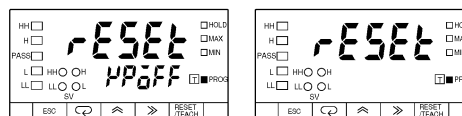
- 1, 2, 3...
1. Press the Mode Key for more than one second while the *Pröt* protect menu is displayed. The *ALL* all key protect setting will appear.

Set Value LED Display Model Basic Model



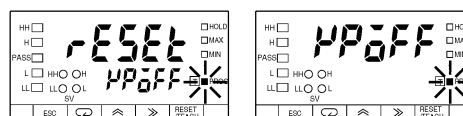
2. Press the Mode Key to display *rESEt* Reset prohibit setting.

Set Value LED Display Model Basic Model



3. Press the Shift Key to display *HP $\bar{o}FF$* for changing. The PROG indicator will flash.

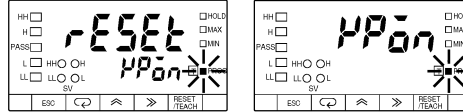
Set Value LED Display Model Basic Model



- Press the Up Key to display $HP\bar{O}n$. The displayed setting will be validated automatically if no change is made for five seconds. The $rESEt$ reset prohibit setting will be displayed again.

Note Press the Mode Key to enter the setting immediately. The next parameter will be displayed for setting.

Set Value LED Display Model Basic Model



When no operation is executed for five seconds

Set Value LED Display Model Basic Model





Security



- Settings in setting mode can be prohibited in the protect menu.
- The following table shows what set values for menus can be prohibited. The default is 0.

Menu	Set value		
	0	1	2
Setting value			Prohibited
Scaling			Prohibited
Setup		Prohibited	Prohibited
Option			Prohibited

- The value changes in the following order with the Up Key: 0, 1, 2, and 0

SETTING EXAMPLE

Follow the steps described below to set the security setting to 1.

Set Value LED Display Model Basic Model



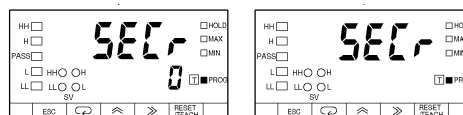
- 1, 2, 3... 1. Press the Mode Key for more than one second while the *Pröt* protect menu is displayed. The *ALL* all key protect setting will appear.

Set Value LED Display Model Basic Model



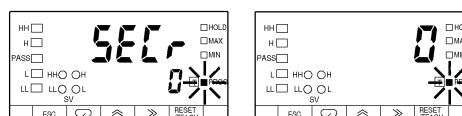
2. Repeatedly press the Mode Key until the *SECr* security setting is displayed.

Set Value LED Display Model Basic Model



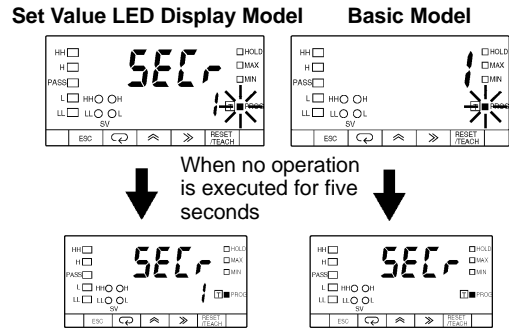
3. Press the Shift Key to display the prior set value *0* for changing. The PROG indicator will flash.

Set Value LED Display Model Basic Model



- Press the Up Key to display *i*. The setting will be validated automatically if no change is made for five seconds. The *SEC* security setting will be displayed again.

Note Press the Mode Key to enter the setting immediately. The next parameter will be displayed for setting.



SECTION 5

Operations in RUN Mode

This section provides instructions for operating the K3NP in RUN mode.

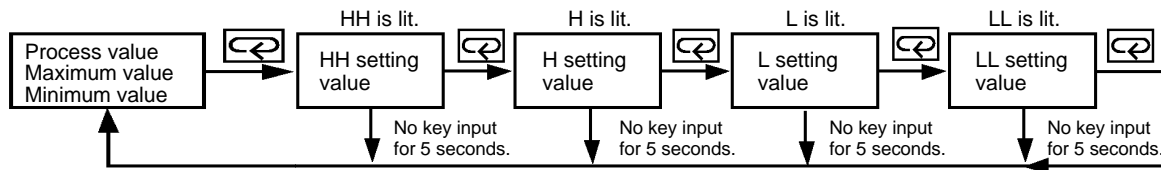
5-1	Displaying and Changing Setting Values	80
5-1-1	Displaying Setting Values	80
5-1-2	Changing Setting Values	80
5-2	Displaying and Resetting of Maximum and Minimum Values	82
5-2-1	Displaying Maximum and Minimum Values	82
5-2-2	Resetting Maximum and Minimum Values	83
5-3	External Input Signals	84
5-3-1	Bank Selection	84
5-3-2	Max./Min. Value RESET	85
5-3-3	RESET	85
5-3-4	HOLD	86

5-1 Displaying and Changing Setting Values

5-1-1 Displaying Setting Values

Basic Model

- When the Mode Key is pressed in RUN mode, the K3NP displays a setting value on the PV display (in the order of HH, H, L, and LL).
- While the setting value is displayed, the corresponding SV display status indicator is lit.
- Unless another operation key is pressed within five seconds after the setting value is displayed, the process, maximum, or minimum value is displayed again.



Set Value LED Display Model

- The setting value appears on the SV display and the corresponding SV display status indicator is lit while the process, maximum, or minimum value is displayed on the PV display
- When the Mode Key is pressed, the K3NP displays a setting value (in the order of HH, H, L, and LL) on the SV display.

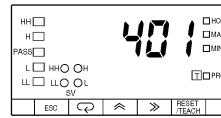
5-1-2 Changing Setting Values

- Setting values can be prohibited against change when key protect or setting value change prohibit is ON in protect mode.
- Select the setting value to be changed with the Mode Key.
- All digits will be displayed and ready for changing if the Shift Key is pressed.
- Press the Up and Shift Keys to change the displayed setting value. The input will be entered if nothing else is input within five seconds. The input is entered immediately by pressing the Mode Key.
- The next setting value will be displayed and ready for changing if the Mode Key is pressed. If nothing else is input within five seconds, the setting value will be entered and the previous setting value will be displayed.
- The setting value can be changed through communications if the K3NP is a model with a communications function.

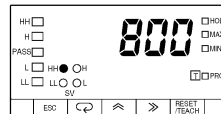
SETTING EXAMPLE

Basic Model

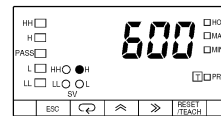
Follow the steps below to change the H setting value from 600 to 700 while the process value is displayed in RUN mode.



- 1, 2, 3...** 1. Press the Mode Key to display the HH setting value and to light the HH indicator of the SV display status indicators.



2. Press the Mode Key again to display the H setting value H and light the H indicator.



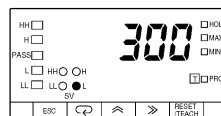
3. Press the Shift Key to display all the digits of the prior setting value 600 for changing.



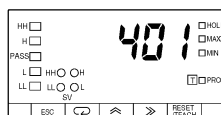
4. Press the Up and Shift Keys to set the value to 00700.



5. The input will be entered if nothing else is input within five seconds.
 or Press the Mode Key to display the L setting value for changing. The H setting value will appear again if nothing else is input within five seconds.



6. To return to the process value display, perform one of the following.
- Repeatedly press the Mode Key until the process value appears.
 - Leave the K3NP with no key input for five seconds.



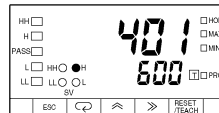
SETTING EXAMPLE

Set Value LED Display Model

Follow the steps below to change the H setting value from 600 to 700 while the process value is displayed in RUN mode, provided that the HH setting value is already displayed on the SV display.



- 1, 2, 3...** 1. Press the Mode Key to display the H setting value and to light the H indicator of the SV display status indicators.



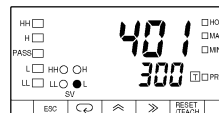
2. Press the Shift Key to display all the digits of the setting value 600 for changing.



3. Press the Up and Shift Keys to set the value to 00700.



4. The input will be entered if nothing else is input within five seconds.
 or Press the Mode Key to display the L setting value for changing. The H setting value will appear again if nothing else is input within five seconds.



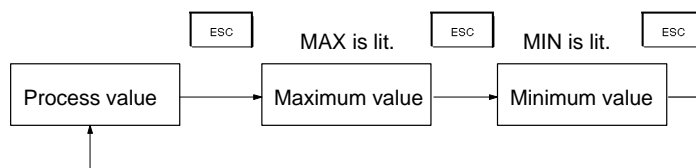
5-2 Displaying and Resetting of Maximum and Minimum Values

The maximum and minimum values are refreshed automatically while the K3NP is in measurement operation.

5-2-1 Displaying Maximum and Minimum Values

- The Escape Key is used to select the process, maximum, or minimum value to be displayed on the PV display in RUN mode.

- The corresponding SV display indicator (i.e., the MAX or MIN indicator) is lit while the maximum or minimum value is displayed.



5-2-2 Resetting Maximum and Minimum Values

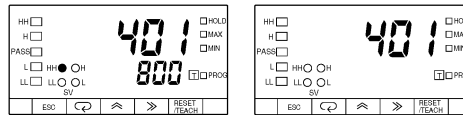
- The maximum and minimum values are reset when the K3NP is turned on, set to RUN mode, or reset.
- The K3NP will be reset when one of the following is performed.
 - The RESET/TEACH Key is pressed for more than one second while the maximum or minimum value is displayed.
 - The external RESET input signal is turned ON.
 - The K3NP receives the reset command through communications.
- When the K3NP is reset, the maximum and minimum values are set to the process value.

Note The K3NP cannot be reset with the RESET/TEACH Key if the maximum/minimum value clear prohibit is ON in protect mode.

SETTING EXAMPLE

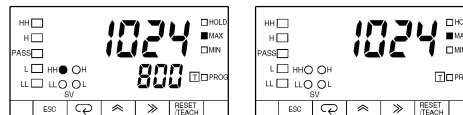
- 1, 2, 3... 1. The process value 401 is displayed.

Set Value LED Display Model Basic Model



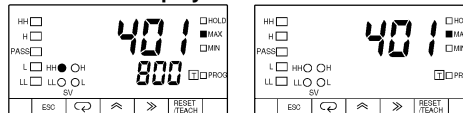
2. Press the Escape Key to display the maximum value 1024 and light the MAX indicator.

Set Value LED Display Model Basic Model



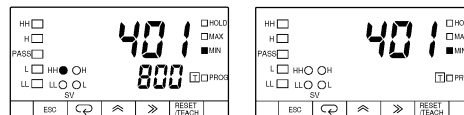
3. Press the RESET/TEACH Key to set the maximum and minimum values to the process value 401.

Set Value LED Display Model Basic Model



4. Press the Escape Key to check that the minimum value is set to 401.

Set Value LED Display Model Basic Model



5-3 External Input Signals

5-3-1 Bank Selection

- The K3NP uses BANK1 and BANK2 signals to select the setting value, prescaling value, and decimal point position of the bank 1, 2, 3, or 4.

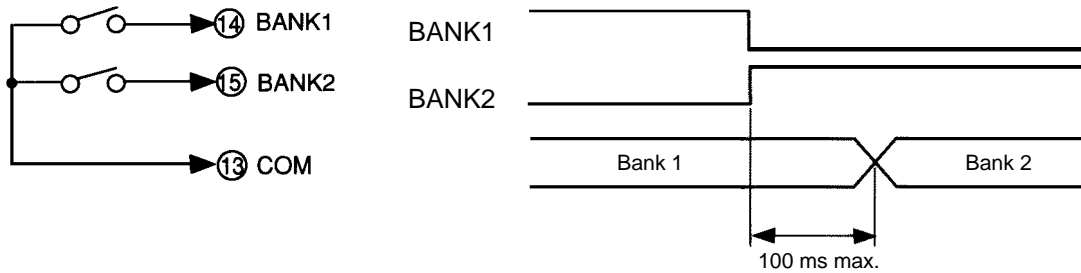
Refer to the following for the relationship between bank input signals and bank numbers.

Bank no.	Control input		Comparative set value	Prescaling value
	BANK 1	BANK 2		
1	OFF	OFF	$S_{v1}.*.*$	$P_{S1}.*.*$
2	ON	OFF	$S_{v2}.*.*$	$P_{S2}.*.*$
3	OFF	ON	$S_{v3}.*.*$	$P_{S3}.*.*$
4	ON	ON	$S_{v4}.*.*$	$P_{S4}.*.*$

Note If the prescaling bank is set to OFF, the P_{SCL} prescaling value for each bank will be fixed.

- When a bank is selected, the corresponding BANK indicator 1, 2, 3, or 4 will be lit.

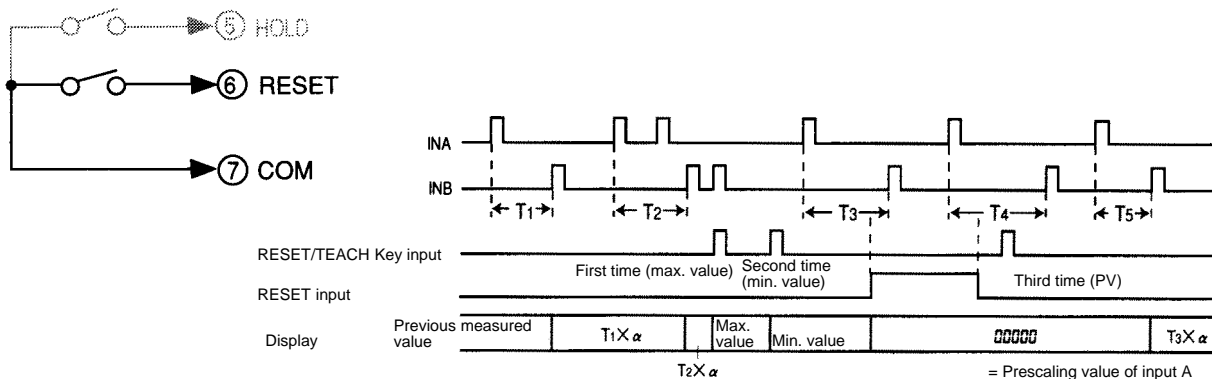
- It takes a maximum of 100 ms for a bank switching after BANK1 and BANK2 signals are input.



The bank number can be displayed on the PV or SV display by pressing the Shift Key for more than one second while the K3NP is in measurement operation. If there is no key input for three seconds, the K3NP will be in measurement operation again.

5-3-2 Max./Min. Value RESET

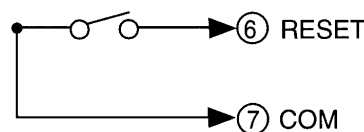
- Refer to 5-2 *Displaying and Resetting of Maximum and Minimum Values (Operating Modes F1 to F6)* for details.
- The following shows the operation timing of maximum and minimum values.



Note The K3NP holds the maximum and minimum values that have been recorded since the K3NP was turned ON or while the RESET input is ON. Whenever the RESET/TEACH Key is pressed, the maximum, minimum, or present value will appear on the PV display in this order. If RESET input is ON or the RESET/TEACH Key is pressed, the maximum and minimum values will be cleared and the K3NP will start measurement.

5-3-3 RESET

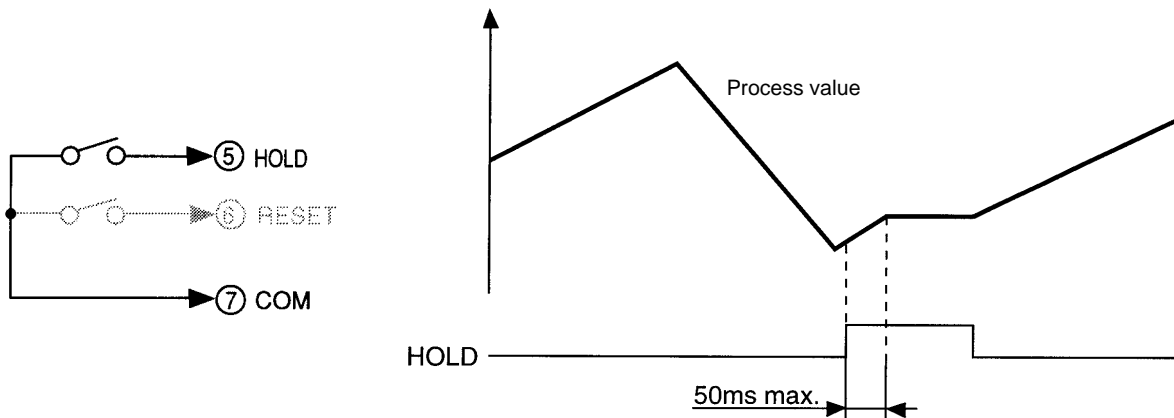
- The K3NP will be reset to the initial state when the power is turned ON or when the RESET input is turned ON.
- All the displayed values will be reset to "00000".
- The comparative outputs (HH, H, P, L, and LL) will be turned OFF.
- The Maximum and Minimum values will be reset and the reset function of the RESET/TEACH Key will become invalid.
- The reset state will continue while the RESET is ON and no measurement will be started.



It is possible to reset the process value by pressing the RESET/TEACH Key.

5-3-4 HOLD

- The K3NP will stop the measurement if the HOLD input is ON.
- When the HOLD input is ON, the K3NP will retain the process value, output, and BCD data effective immediately before the HOLD input.
- The HOLD indicator is lit while HOLD input is ON.
- If the HOLD input is turned ON while the measurement is being performed, the measurement will be cancelled and the previous measurement value (displayed value) will be retained.
- No measurement will be started while the HOLD input is ON.



SECTION 6

Useful Functions

This section provides information on the output test and maintenance mode functions of the K3NP.

6-1	Teaching Function	88
6-1-1	Set Value	88
6-1-2	Linear Output Range	89
6-2	Output Test	90
6-3	Maintenance Mode	91
6-3-1	Maintenance Mode	91
6-3-2	Initialization	91

6-1 Teaching Function

- The K3NP is provided with a teaching function that can set an actual measured value as a set value without any front panel key input.

This function is useful for setting parameters while checking the operating status of the K3NP.

- The teaching function can be used to set the setting, scaling values, and linear output range. The TEACH indicator will be lit if a parameter that can use the teaching function is displayed.

6-1-1 Set Value

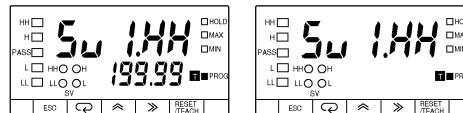
- A setting value can be set with the actual input instead of key input in the setting mode.
- Follow the steps below to teach the setting value.

- 1, 2, 3...**
- Press the RESET/TEACH Key for more than one second while the parameter is displayed. The process value will be displayed and the teaching indicator will flash.
 - Press the RESET/TEACH Key again to retrieve the process value immediately before the key was pressed as a set value. The teaching indicator will be lit and the parameter will be displayed. Press the Escape Key to interrupt teaching.

SETTING EXAMPLE

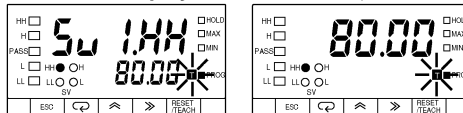
Follow the steps described below to set the HH set value of bank 1 by using the teaching function.

Set Value LED Display Model Basic Model



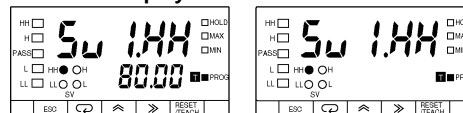
- 1, 2, 3...**
- Press the RESET/TEACH Key for more than one second while the parameter is displayed. The process value will be displayed and the teaching indicator will flash.

Set Value LED Display Model Basic Model



- Press the RESET/TEACH Key again to retrieve the process value immediately before the key was pressed as a set value for changing. The teaching indicator will be lit and the parameter is displayed.

Set Value LED Display Model Basic Model



6-1-2 Linear Output Range

The teaching function can be also used to set the linear output range of the K3NP with the Linear Output Board.

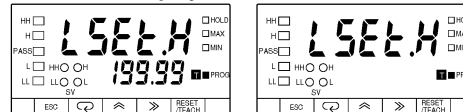
- The H and L linear output ranges can be set using the actual measured value instead of key input in the option menu.
- Follow the steps below to teach the setting value.

- 1, 2, 3...**
1. Press the RESET/TEACH Key for more than one second while the parameter is displayed. The process value will be displayed and the teaching indicator will flash.
 2. Press the RESET/TEACH Key again to retrieve the process value immediately before the key was pressed as a set value. The teaching indicator will be lit and the parameter will be displayed. Press the Escape Key to interrupt teaching.

SETTING EXAMPLE

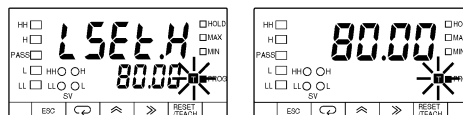
Follow the steps described below to set the H linear output range by using the teaching function.

Set Value LED Display Model Basic Model



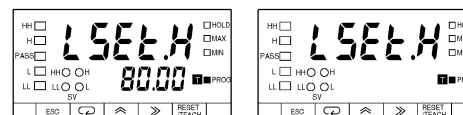
- 1, 2, 3...**
1. Press the RESET/TEACH Key for more than one second while the parameter is displayed. The process value will be displayed and the teaching indicator will flash.

Set Value LED Display Model Basic Model



2. Press the RESET/TEACH Key again to retrieve the process value immediately before the key was pressed as a set value for changing. The teaching indicator will be lit and the parameter will be displayed. Press the Escape Key to interrupt teaching.

Set Value LED Display Model Basic Model



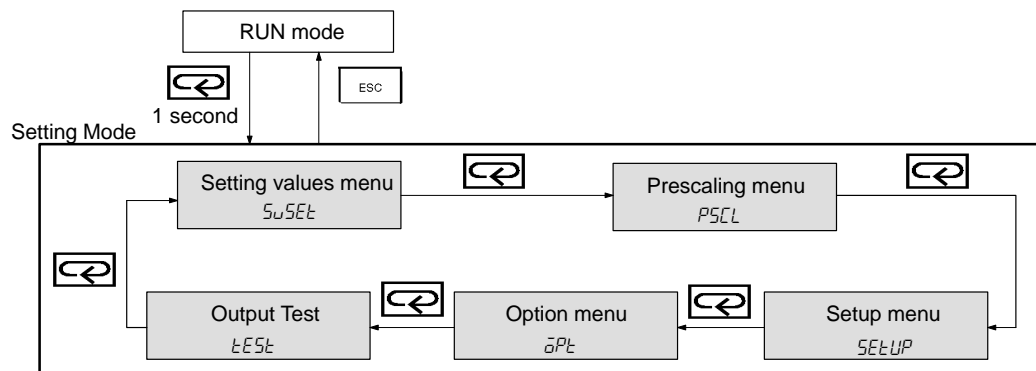
6-2 Output Test

This function is convenient for checking a system to which the K3NP is connected, especially when some inputs cannot be operated. The K3NP simulates an input signal to check the output conditions.

Note The K3NP has output according to the simulated input in this menu. If there is any device connected to the output of the K3NP, be sure that the output will not have a negative influence on the device before testing the system.

- Follow the steps described below to perform the test.

- 1, 2, 3...**
1. While the K3NP is in RUN mode, press the Escape Key for more than one second to set the K3NP to the setting mode.
 2. Repeatedly press the Mode Key until the `LESE` output test setting is displayed.



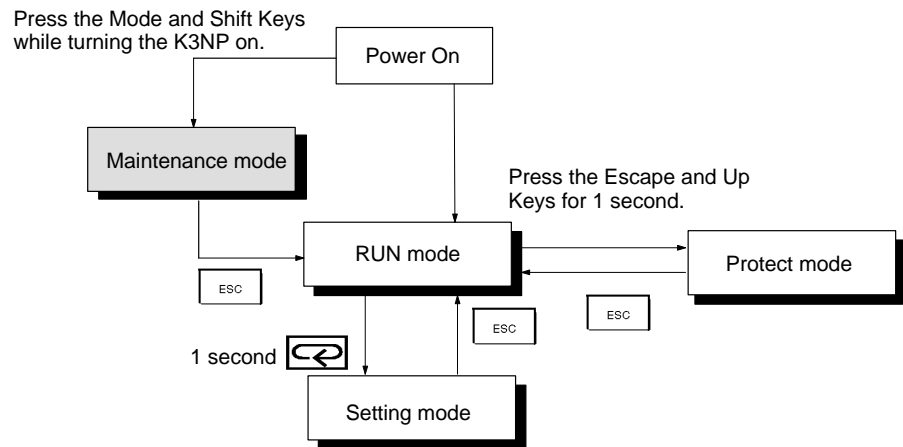
3. Press the Mode Key for more than one second to display 0, which is a simulated input value.
 4. The simulated input value increases when the Up Key is pressed. Comparative outputs are output according to the output pattern that has been preset.
 5. The simulated input value decreases when the Shift Key is pressed. Comparative outputs are output according to the output pattern that has been preset.
 6. Press the Escape Key after testing. The `LESE` output test setting will be displayed again.
 7. Press the Escape Key to return to the RUN mode.
- To change the simulated input value continuously, keep pressing the Up or Shift Key.

6-3 Maintenance Mode

The set values of the K3NP can be initialized in maintenance mode. The operations of the K3NP in this mode are described below.

6-3-1 Maintenance Mode

- The K3NP will be in maintenance mode if the Mode and Shift Keys are pressed simultaneously while the K3NP is turned on.
- The K3NP in maintenance mode will go into RUN mode if the Escape Key is pressed.

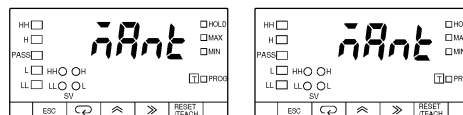


6-3-2 Initialization

Follow the steps described below to reset the set values of the K3NP to factory-set values.

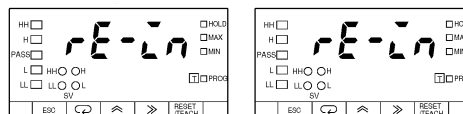
- 1, 2, 3...
1. Press the Mode and Shift Keys simultaneously while turning the K3NP on. The $\bar{n}A\bar{n}t$ maintenance mode setting will be displayed.

Set Value LED Display Model Basic Model



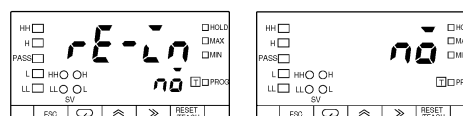
2. Press the Mode Key for more than one second. The $rE-\bar{L}n$ initialization setting will be displayed.

Set Value LED Display Model Basic Model

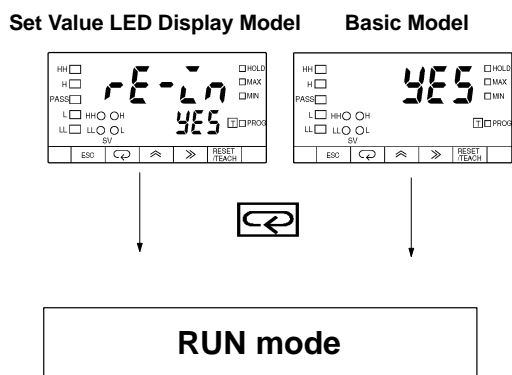


3. Press the Up Key to display $n\bar{o}$.

Set Value LED Display Model Basic Model



- 4. Press the Up Key to display *YES*. Press the Mode Key to initialize all set values. The K3NP will go into RUN mode.



SECTION 7

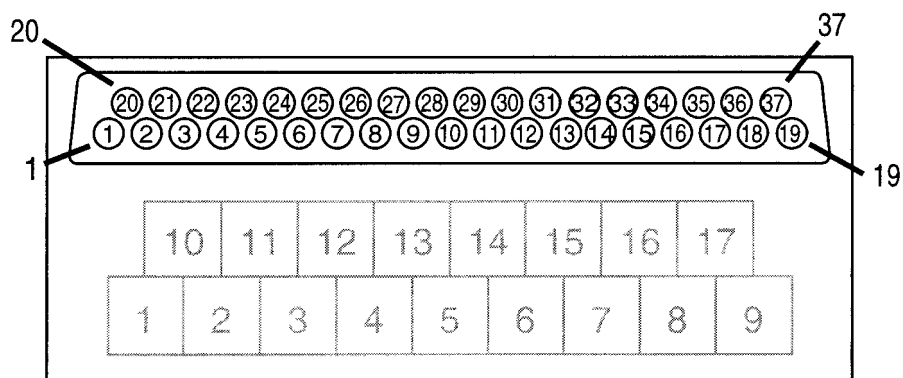
BCD Output

This section provides information on the use of the K3NP with the BCD Output Board.

7-1	Connectors	94
7-2	Timing Charts	97

7-1 Connectors

Terminal Arrangement



Terminal number	Signal name	Signal direction	Use
1	COM	---	GND:VO (See note 1.)
2	RD1-1	Output	1: Read data 10^0 digit
3	RD1-2	Output	2: Read data 10^0 digit
4	RD1-4	Output	4: Read data 10^0 digit
5	RD1-8	Output	8: Read data 10^0 digit
6	RD2-1	Output	1: Read data 10^1 digit
7	RD2-2	Output	2: Read data 10^1 digit
8	RD2-4	Output	4: Read data 10^1 digit
9	RD2-8	Output	8: Read data 10^1 digit
10	RD3-1	Output	1: Read data 10^2 digit
11	RD3-2	Output	2: Read data 10^2 digit
12	RD3-4	Output	4: Read data 10^2 digit
13	RD3-8	Output	8: Read data 10^2 digit
14	RD4-1	Output	1: Read data 10^3 digit
15	RD4-2	Output	2: Read data 10^3 digit
16	RD4-4	Output	4: Read data 10^3 digit
17	RD4-8	Output	8: Read data 10^3 digit
18	RD5-1	Output	1: Read data 10^4 digit
19	RD5-2	Output	2: Read data 10^4 digit
20	RD5-4	Output	4: Read data 10^4 digit
21	RD5-8	Output	8: Read data 10^4 digit
22	OVER	Output	Output when input value is not within the display range.
23	D - V	Output	Data confirmation signal
24	RUN	Output	Operation signal
25	COM	---	GND:VO (See note 1.)
26	REQ	Input	PV output request
27	MAX REQ	Input	Maximum value output request
28	MIN REQ	Input	Minimum value output request
29	HOLD	Input	Hold input
30	RESET	Input	Reset input
31	POL	Output	Positive/Negative polarity signal
32	HH	Output	HH output (See note 2.)
33	H	Output	H output (See note 2.)
34	PASS	Output	PASS output (See note 2.)
35	L	Output	L output (See note 2.)

Terminal number	Signal name	Signal direction	Use
36	LL	Output	LL output (See note 2.)
37	COM	Output	GND:VO (See note 1.)

- Note**
1. Terminals 1, 25, and 37 have the same COM.
 2. Refer to 2-3 *Output Board* for comparative outputs.

Applicable Connectors

Use the connector provided with the K3NP or an equivalent connector for the cable connecting to the BCD output connector.

The following connectors are provided with the K3NP.

Plug: XM2A-3701 (OMRON)

Hood: XM2S-3711 (OMRON)

The depth required for the installation of the K3NP is 200 mm min. in consideration of the space required by the cable.

Connecting Conditions

Refer to the following for the connecting conditions of each I/O. Refer to 2-3 *Output Block* for output signals HH through LL.

- Input

Input current with no voltage input: 10 mA

Signal level

ON voltage: 1.5 V max.

OFF voltage: 3 V min.

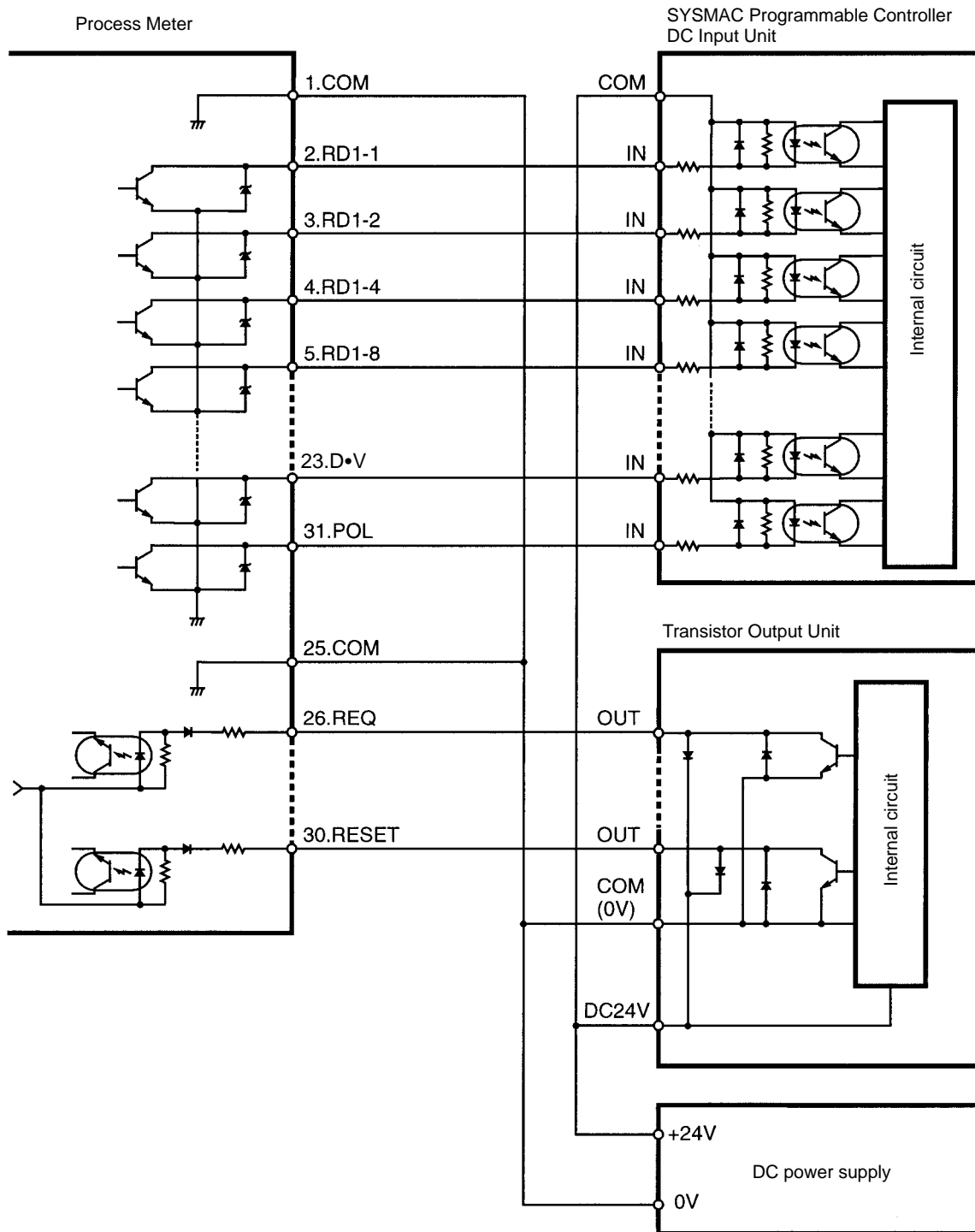
- Output

Rated load voltage: 24 VDC

Rated load current: 10 mA

Current leakage: 10 μ A max.

Connection Example



- Note**
1. Connect RD2-1 through RD2-4, RS3-1 through RS3-4, RD4-1 through RD4-4, and RD5-1 through RD5-4 in the same way as RD1-1 through RD1-4.
 2. Connect the RUN and OVER signals if they are used as status data.

Signals

When the HOLD signal is ON, the measurement operation stops and the process value input effective immediately before the HOLD signal is retained.

When the RESET signal is ON, the maximum and minimum values are set to the process value.

The OVER signal is ON when the input value is not within the display range.

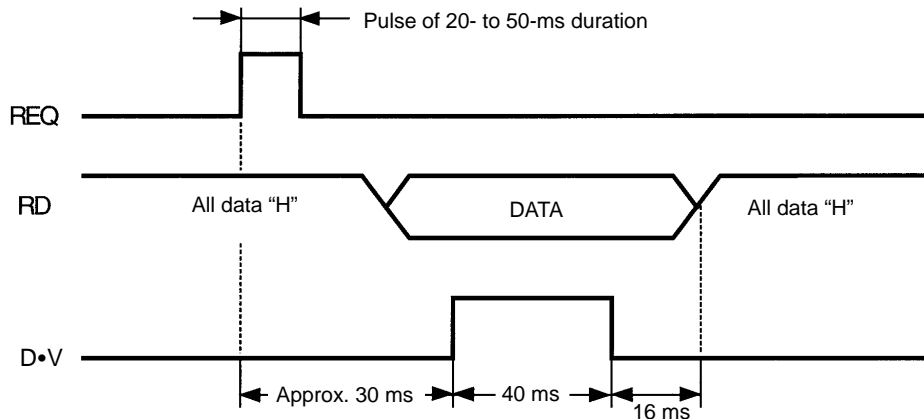
The process value is output when the MAXREQ or MINREQ signal is ON at the time the output is tested in test mode.

Multiple input signals must not turn ON. If multiple input signals turn ON or a single signal input is combined with another signal input, all output data will be turned OFF.

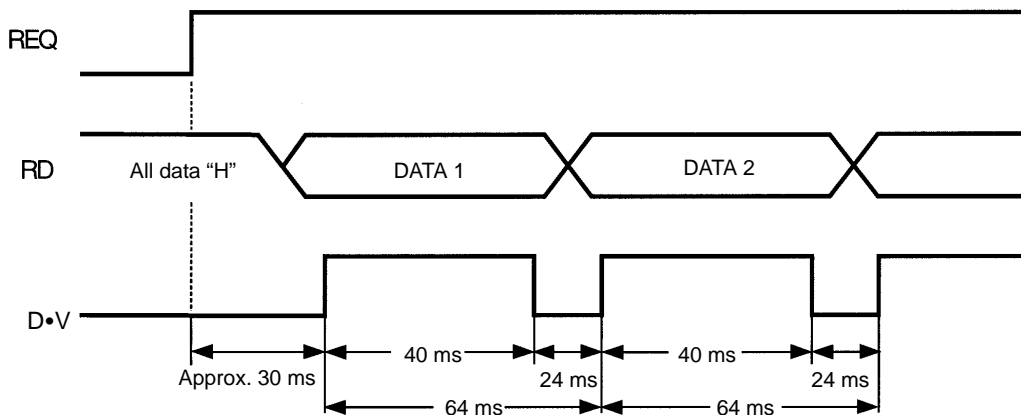
7-2 Timing Charts

When a REQ signal is input from a Programmable Controller to the K3NP in RUN or test mode, the K3NP outputs a DATA VALID (D•V) signal. In other cases, the K3NP has All Signals OFF (H) output.

Refer to the following for the timing of each signal.



The REQ signal must be kept ON as shown below if the K3NP has continuous data output.



The polarity of the data must be checked with a POLARITY signal. The polarity is positive when the POLARITY signal is OFF and negative when the POLARITY signal is ON.

The K3NP in test mode has test data output regardless of the type of REQ signal.

Operating Conditions

The RUN signal is turned ON in RUN or test mode. The RUN signal is, however, turned OFF when an error other than overflow results.

Do not input multiple signals, otherwise all output data will be turned OFF.

SECTION 8

Troubleshooting

This section provides information for troubleshooting the K3NP.

8-1	Items to Be Checked First	100
8-2	Display	100
8-2-1	Flashing	100
8-2-2	Error Message	100

8-1 Items to Be Checked First

First, check the following three items if the K3NP has any problems during operation.

- 1, 2, 3...
1. **Power Supply**
Be sure that power supplied to the K3NP is within the rated voltage range.
 2. **Wiring**
Be sure that the K3NP is wired correctly.
 3. **Communications Conditions**
If the model is a K3NP with the Communications Output Board, be sure that the baud rate and unit numbers are correct.

After checking and remedying the above items, if the K3NP still has problems during operation, check the error message.

8-2 Display

8-2-1 Flashing

The display will flash in the following cases.

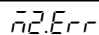
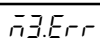
- The input or process value is not within the display range.
If the display flashes the output status will be as follows:
Models with BCD Output Board: The OVER signal will be ON.
Models with Communications Output Board: The OVER or UNDER signal will be ON and other output signals will be retained.
- The display will flash for three seconds if an attempt is made to change a setting on the K3NP. Set to remote programming to accept key input.

8-2-2 Error Message

The error condition can be checked with the error message.

The K3NP will have the following output statuses when an error message is displayed.

- HH, H, PASS, L, and LL will all be OFF.
- Linear output will be limited to the minimum value.
- The type of BCD output will be All Outputs OFF (H).
- The Unit error response will be returned from the model with a communications function.

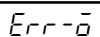
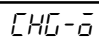
Memory Error

Meaning of Error

The internal memory has an error.

Remedy

Turn the K3NP off and on. If the memory error still exists, the K3NP will need to be repaired. If the K3NP returns to normal operation, the K3NP may have been affected by noise. Check if there is any source of noise generation near the K3NP.

Output Error

Meaning of Error

The internal circuit has an error.

Remedy

Turn the K3NP off and on. If the output error still exists, the K3NP will need to be repaired.

Appendix A Specifications

Ratings

Supply voltage	100 to 240 VAC (50/60 Hz); 12 to 24 VDC
Operating voltage range	85% to 110% of supply voltage
Power consumption (see note)	15 VA max. (max. AC load with all indicators lit) 10 W max. (max. DC load with all indicators lit)
Sensor power supply	80 mA at 12 VDC±10%
Insulation resistance	20 MΩ min. (at 500 VDC) between external terminal and case. Insulation provided between inputs, outputs, and power supply.
Dielectric withstand voltage	2,000 VAC for 1 min between external terminal and case. Insulation provided between inputs, outputs, and power supply.
Noise immunity	±1,500 V on power supply terminals in normal or common mode ±1 μs, 100 ns for square-wave noise with 1 ns
Vibration resistance	Malfunction: 10 to 55 Hz, 0.5-mm for 10 min each in X, Y, and Z directions Destruction: 10 to 55 Hz, 0.75-mm for 2 hrs each in X, Y, and Z directions
Shock resistance	Malfunction: 98 m/s ² (10G) for 3 times each in X, Y, and Z directions Destruction: 294 m/s ² (30G) for 3 times each in X, Y, and Z directions
Ambient temperature	Operating: -10°C to 55°C (with no icing) Storage: -20°C to 65°C (with no icing)
Ambient humidity	Operating: 25% to 85% (with no condensation)
Ambient atmosphere	Must be free of corrosive gas
EMC	Emission Enclosure: EN55011 Group 1 class A Emission AC Mains: EN55011 Group 1 class A Immunity ESD: EN61000-4-2: 4-kV contact discharge (level 2) 8-kV air discharge (level 3) Immunity-RF-interference: ENV50140: 10 V/m (amplitude modulated, 80 MHz to 1 GHz) (level 3) 10 V/m (pulse modulated, 900 MHz) Immunity Conducted Disturbance: ENV50141: 10 V (0.15 to 80 MHz) (level 3) Immunity Burst: EN61000-4-4: 2-kV power-line (level 3) 2-kV I/O signal-line (level 4)
Approved standards	UL508, CSA22.2; conforms to EN50081-2, EN50082-2, EN61010-1 (IEC1010-1); conforms to VDE106/part 100 (Finger Protection) when the terminal cover is mounted.
Weight	Approx. 400 g

Note An Intelligent Signal Processor with DC supply voltage requires approximately 1 A DC as control power supply current the moment the Intelligent Signal Processor is turned on. Do not forget to take this into consideration when using several Intelligent Signal Processors. When the Intelligent Signal Processor is not in measuring operation (e.g., the Intelligent Signal Processor has been just turned on or is operating for start-up compensation time), the display will read "00000" and all outputs will be OFF.

Input/Output Ratings

Relay Contact Output

(Incorporating a G6B Relay)

Item	Resistive load ($\cos\phi = 1$)	Inductive load ($\cos\phi = 0.4$, $L/R = 7$ ms)
Rated load	5 A at 250 VAC; 5 A at 30 VDC	1.5 A at 250 VAC, 1.5 A at 30 VDC
Rated carry current	5 A max. (at COM terminal)	
Max. contact voltage	380 VAC, 125 VDC	
Max. contact current	5 A max. (at COM terminal)	
Max. switching capacity	1,250 VA, 150 W	375 VA, 80 W
Min. permissible load (P level, reference value)	10 mA at 5 VDC	
Mechanical life	50,000,000 times min. (at a switching frequency of 18,000 times/hr)	
Electrical life (at an ambient temperature of 23°C)	100,000 times min. (at a rated load switching frequency of 1,800 times/hr)	

Transistor Output

Rated load voltage	12 to 24 VDC $+10\%/_{-15\%}$
Max. load current	50 mA
Leakage current	100 μ A max.

BCD Output

I/O signal name		Item	Rating
Inputs	REQUEST, HOLD, MAX, MIN, RESET	Input signal	No-voltage contact input
		Input current with no-voltage input	10 mA
		Signal level	ON voltage: 1.5 V max. OFF voltage: 3 V min.
Outputs	DATA, POLARITY, OVERFLOW, DATA VALID, RUN	Rated load voltage	12 to 24 VDC $+10\%/_{-15\%}$
		Max. load current	10 mA
		Leakage current	100 μ A max.

Note Logic method: negative logic

Linear Output

Item	4 to 20 mA	1 to 5 V	1 mV/10 digits (see note)
Resolution	4,096		
Output error	$\pm 0.5\%$ FS		$\pm 1.5\%$ FS
Permissible load resistance	600 Ω max.	500 Ω min.	1 K Ω min.

Note For the 1 mV/10-digit output, the output voltage changes for every 40 to 50 increment in the display value.

Communications

Item		RS-232C, RS-422	RS-485
Transmission method		4-wire, half-duplex	2-wire, half-duplex
Synchronization method		Start-stop synchronization	
Baud rate		1,200/2,400/4,800/9,600/19,200/38,400 bps	
Transmission code		ASCII (7-bit)	
Communications	Write to K3NP	Comparative set value, prescaling value, remote/local programming, reset control of maximum/minimum values, and other setting mode items excluding communications conditions.	
	Read from K3NP	Process value, comparative set value, maximum value, minimum value, model data, error code, and others	

For details, refer to *Communication Operation Manual*.

Characteristics

Input signal	No-voltage contact (30 Hz max., ON/OFF pulse width: 15 ms min.) Voltage pulse (50 kHz max., ON/OFF pulse width: 9 µs min., ON voltage: 4.5 to 30 V/OFF voltage: -30 to 2 V) Open collector (50 kHz max., ON/OFF pulse width: 9 µs min.) Connectable Sensors ON residual voltage: 3 V max. OFF leakage current: 1.5 mA max. Load current: Must have switching capacity of 20 mA min. Must be able to dependably switch a load current of 5 mA max.
Measuring accuracy (at 23±5°C)	±0.08%rdg±1 digit
Measuring modes and ranges	Operating mode 1: Passing speed 10 ms to 3,200 seconds Operating mode 2: Cycle 20 ms to 3,200 seconds Operating mode 3: Time difference 10 ms to 3,200 seconds Operating mode 4: Elapsed time 10 ms to 3,200 seconds Operating mode 5: Length measurement 0 to 4G count (32-bit counter) Operating mode 6: Interval 0 to 4G count (32-bit counter)
Max. displayed digits	5 digits (0 to 99999)
Display	7-segment LED
Polarity display	Not available
Zero display	Leading zeros are not displayed.
Prescale function	Programming via front-panel key inputs. (0.0001 x 10 ⁻⁹ to 9.9999 x 10 ⁹ , decimal point can be set freely) Can be set using prescale value teaching.
HOLD functions	Max. value (peak) hold, Min. value (bottom) hold
External control	HOLD (Process value held) RESET (Maximum/minimum data reset) BANK (Selection of one bank out of 4 banks of set values) (Selection of one bank out of 4 banks of prescale values)
Other functions	Variable linear output range (for models with linear outputs only) Remote/Local processing (available for communications output models only) Maximum/Minimum value data reset with front panel keys Comparative output pattern selection Time unit display Security
Output configuration	Relay contact output (3 or 5 outputs) Transistor output (NPN and PNP open collector), BCD (NPN open collector) Parallel BCD (NPN open collector) + transistor output (NPN open collector) Linear output (4 to 20 mA, 1 to 5 V) + transistor output (NPN open collector) Communication functions (RS-232C, RS-485, RS-422) Communication functions (RS-232C, RS-485, RS-422) + transistor output (NPN open collector)
Delay in comparative outputs (at transistor output)	20 ms max.
Enclosure rating	Front panel: NEMA4 for indoor use (equivalent to IP66) Rear case: IEC standard IP20 Terminals: IEC standard IP00
Memory protection	Non-volatile memory (EEPROM) (possible to rewrite 100,000 times)

Note The linear output range cannot be set when connected to a 1 mV/10-digit Linear Output Board.

Appendix B

List of Settings

Use this sheet to keep a record of set values.



Menu	Parameter	Setting range	Set value
5u5Et Setting value menu	5.bAnP	Bank no. of set value (1 to 4) to be changed	
	5u*.HH	HH set value (0 to 99999)	
	5u*. H	H set value (0 to 99999)	
	5u*. L	L set value (0 to 99999)	
	5u*.LL	LL set value (0 to 99999)	
P5CL Prescaling menu	P.bAnP	Bank no. of set value (0FF/ 1 to 4) to be changed	
	P5*.A \bar{u}	Prescaling value X (mantissa) of input A (0.000 1 to 99999)	
	P5*.AY	Prescaling value Y (exponent) of input A (-9 to 09)	
	dEEP.*	Decimal point position	
5EtUP Setup menu	FunC	Operating mode (F 1 to F6)	
	\bar{c} nR \bar{c} nb	Sensor type (00, 0 1, 10, 1 1)	
	t \bar{c} nE	Time unit SECL (0 to 99999): SECL (0 to 99999 s) n \bar{c} n (0 to 99999 min) n \bar{c} .55.d (minutes, seconds, 1/100 s)	
	U-n \bar{o}	Communications unit no. (00 to 99)	
	bPS	Baud rate (1200/2400/4800/9600/ 19200/38400)	
	LEn	Word length (7/8)	
	5b \bar{c} t	Stop bits (1/2)	
	PrEY	Parity bits (n \bar{o} nE: None; E \bar{u} E \bar{n} : Even; \bar{o} dd: Odd)	
\bar{o} Pt Option menu	\bar{c} - \bar{o} Ut	Output pattern (n \bar{o} nAL: Standard output) (\bar{z} \bar{o} nE: Zone output) (LEuEL: Level output)	
	L5Et.H	H linear output range (0 to 99999)	
	L5Et.L	L linear output range (0 to 99999)	
	r-L	Remote/Local programming (r \bar{n} t: Remote; LLL: Local)	

Note The selected bank number will be displayed where an asterisk (*) appears.

Appendix C

Available Models

Base Unit

Input type Supply voltage	NPN/Voltage pulse		PNP	
	100 to 240 VAC	12 to 24 VDC	100 to 240 VAC	12 to 24 VDC
Basic Models These models provide a present value LED and front-panel control keys. Can be connected to any Output Board, or can be used for display only without an Output Board. 	K3NP-NB1A	K3NP-NB2A	K3NP-PB1A	K3NP-PB2A
Set Value LED Models These models provide a present value LED, set value LED, and front-panel control keys. Can be connected to Relay, Transistor, or Combination Output Boards. 	K3NP-NB1C	K3NP-NB2C	K3NP-PB1C	K3NP-PB2C

Available Output Board Combinations

Output type	Output configuration	Output boards	Base units	
			Basic	Set Value LED Display
Relay contact	3 outputs: H, PASS, L (SPDT)	K31-C1	Yes	Yes
	5 outputs: HH, H, L, LL (SPST-NO), and PASS (SPDT)	K31-C2	Yes	Yes
	5 outputs: HH, H, L, LL (SPST-NC), and PASS (SPDT)	K31-C5	Yes	Yes
Transistor	5 outputs (NPN open collector)	K31-T1	Yes	Yes
	5 outputs (PNP open collector)	K31-T2	Yes	Yes
BCD (see note)	5-digit output (NPN open collector)	K31-B2	Yes	---
Linear	4 to 20 mA DC	K31-L1	Yes	---
	1 to 5 VDC	K31-L2	Yes	---
	1 mV/10 digits	K31-L3	Yes	---
	0 to 5 VDC	K31-L7	Yes	---
	0 to 10 VDC	K31-L8	Yes	---
Communication boards (see note)	RS-232C	K31-FLK1	Yes	---
	RS-485	K31-FLK2	Yes	---
	RS-422	K31-FLK3	Yes	---
Combination output and communication boards	BCD output + 5 transistor outputs (NPN open collector)	K31-B4	Yes	Yes
	4 to 20 mA + 5 transistor outputs (NPN open collector)	K31-L4	Yes	Yes
	1 to 5 V + 5 transistor outputs (NPN open collector)	K31-L5	Yes	Yes
	1 mV/10 digits + 5 transistor outputs (NPN open collector)	K31-L6	Yes	Yes
	0 to 5 VDC + 5 transistor outputs (NPN open collector)	K31-L9	Yes	Yes
	0 to 10 VDC + 5 transistor outputs (NPN open collector)	K31-L10	Yes	Yes
	RS-232C + 5 transistor outputs (NPN open collector)	K31-FLK4	Yes	Yes
	RS-485 + 5 transistor outputs (NPN open collector)	K31-FLK5	Yes	Yes
RS-422 + 5 transistor outputs (NPN open collector)	K31-FLK6	Yes	Yes	

Note For details, refer to the *Communication Operation Manual*.

Model Number Legend

Base Units and Output Boards can be ordered individually or as sets. Refer to the *Output Board Combinations* table on page 107.

Base Units

K3NP -
 1 2 3 4

Output Boards

K31 -
 5 6 7 8

Base Units with Output Boards

K3NP - -
 1 2 3 4 5 6 7 8

1, 2. Input Sensors Codes

NB: NPN inputs

PB: PNP inputs

3. Supply Voltage

1: 100 to 240 VAC

2: 12 to 24 VDC

4. Display

A: Basic

C: Set Value LED Display

5, 6, 7, 8. Output Type Codes

C1: 3 comparative relay contact outputs (H, PASS, L: SPDT)

C2: 5 comparative relay contact outputs (HH, H, L, LL: SPST-NO; PASS: SPDT)

C5: 5 comparative relay contact outputs (HH, H, L, LL: SPST-NC; PASS: SPDT)

T1: 5 comparative transistor outputs (NPN open collector)

T2: 5 comparative transistor outputs (PNP open collector)

B2: BCD output (NPN open collector) (see note)

B4: BCD output + 5 transistor outputs (NPN open collector)

L1: Linear output (4 to 20 mA) (see note)

L2: Linear output (1 to 5 VDC) (see note)

L3: Linear output (1 mV/10 digits) (see note)

L4: Linear output, 4 to 20 mA + 5 transistor outputs (NPN open collector)

L5: Linear output, 1 to 5 V + 5 transistor outputs (NPN open collector)

L6: Linear output, 1 mV/10 digits+ 5 transistor outputs (NPN open collector)

L7: Linear output, 0 to 5 VDC (see note)

L8: Linear output, 0 to 10 VDC (see note)

L9: Linear output, 0 to 5 VDC + 5 transistor outputs (NPN open collector)

L10: Linear output, 0 to 10 VDC + 5 transistor outputs (NPN open collector)

FLK1: Communication RS-232C (see note)

FLK2: Communication RS-485 (see note)

FLK3: Communication RS-422 (see note)

FLK4: RS-232C + 5 transistor outputs (NPN open collector)

FLK5: RS-485 + 5 transistor outputs (NPN open collector)

FLK6: RS-422 + 5 transistor outputs (NPN open collector)

Note These output types are available on Basic Models only.

Appendix D

Available Parameters

Available parameters vary with the output board of the K3NP and are indicated as “YES” in the following table.

K3NP Basic Model

Menu	Parameter	Output board							
		No output	C1/C2/ C5/T1 (note 2)	B2	B4	L1/ L2/ L3/L7/ L8	L4/L5/ L6/L9/ L10	FLK1/ FLK2/ FLK3	FLK4/ FLK5/ FLK6
S _U SEt Setting value menu	S _b RnP Bank no. of set value		YES		YES		YES		YES
	S _U *.HH HH set value		YES		YES		YES		YES
	S _U *. H H set value		YES		YES		YES		YES
	S _U *. L L set value		YES		YES		YES		YES
	S _U *.LL LL set value		YES		YES		YES		YES
P _S CL Prescaling menu	P _b RnP Bank no. of prescale	YES	YES	YES	YES	YES	YES	YES	YES
	P _S *.R _X Prescaling value X (mantissa) of input A	YES	YES	YES	YES	YES	YES	YES	YES
	P _S *.R _Y Prescaling value Y (exponent) of input A	YES	YES	YES	YES	YES	YES	YES	YES
	dECP.* Decimal point position	YES	YES	YES	YES	YES	YES	YES	YES
SEtUP Setup menu	FUnC Operating mode	YES	YES	YES	YES	YES	YES	YES	YES
	C _n A C _n b Sensor type	YES	YES	YES	YES	YES	YES	YES	YES
	tC _n E Time unit	YES	YES	YES	YES	YES	YES	YES	YES
	U-n _o Unit no.							YES	YES
	bPS Baud rate							YES	YES
	LE _n Word length							YES	YES
	Sb _t Stop bits							YES	YES
	Pr _t Y Parity bits							YES	YES
oPt Option menu	C-oUt pattern Comparative output pattern		YES		YES		YES	YES	YES
	LSEt.H H linear output range					YES (note 1)	YES (note 1)	YES	YES
	LSEt.L L linear output range					YES (note 1)	YES (note 1)	YES	YES
	r-L Remote/Local programming							YES	YES

- Note**
1. The linear output range cannot be set with K31-L3 and K31-L6 output board.
 2. The HH and LL set values cannot be set with the K31-C1.
 3. The selected bank number will be displayed where an asterisk (*) appears.

Protect Mode

Menu	Parameter	Output board							
		No output	C1/C2 /C5/T1	B2	B4	L1/ L2/ L3/L7/ L8	L4/L5/ L6/L9/ L10	FLK1/ FLK2/ FLK3	FLK4/ FLK5/ FLK6
Protect menu	<i>Prōt</i> ALL All key protect	YES	YES	YES	YES	YES	YES	YES	YES
	<i>SUSEt</i> Set value change prohibit		YES		YES		YES		YES
	<i>rESEt</i> Maximum/Minimum value clear prohibit to reset to the initial state	YES	YES	YES	YES	YES	YES	YES	YES
	<i>SECr</i> Security	YES	YES	YES	YES	YES	YES	YES	YES

- Note**
1. The linear output range cannot be set with K31-L6 output board.
 2. The selected bank number will be displayed where an asterisk (*) appears.

K3NP Set Value LED Display Model

Menu	Parameter	Output board			
		C1/C2/ C5/T1 (note 2)	B4	L4/L5/ L6/L9/L10	FLK4/FLK5 /FLK6
Setting value menu	<i>SbRnP</i> Bank no. of set value	YES	YES	YES	YES
	<i>Su*.HH</i> HH set value	YES	YES	YES	YES
	<i>Su*. H</i> H set value	YES	YES	YES	YES
	<i>Su*. L</i> L set value	YES	YES	YES	YES
	<i>Su*.LL</i> LL set value	YES	YES	YES	YES
Prescaling menu	<i>PbRnP</i> Bank no. of prescale	YES	YES	YES	YES
	<i>P5*.RX</i> Prescaling value X (mantissa) of input A	YES	YES	YES	YES
	<i>P5*.RY</i> Prescaling value Y (exponent) of input A	YES	YES	YES	YES
	<i>dECP.*</i> Decimal point position	YES	YES	YES	YES
Setup menu	<i>FUnC</i> Operating mode	YES	YES	YES	YES
	<i>LnR</i> Sensor type	YES	YES	YES	YES
	<i>LnB</i>				
	<i>tLnE</i> Time unit	YES	YES	YES	YES
	<i>U-nō</i> Unit no.				YES
	<i>bPS</i> Baud rate				YES
	<i>LEn</i> Word length				YES
	<i>Sbct</i> Stop bits				YES
	<i>Prty</i> Parity bits				YES
Option menu	<i>C-ōUt</i> Comparative output pattern	YES	YES	YES	YES
	<i>LSEt.H</i> H linear output range			YES (see note 1)	YES
	<i>LSEt.L</i> L linear output range			YES (see note 1)	YES
	<i>r-L</i> Remote/Local programming				YES

- Note**
1. The linear output range cannot be set with K31-L6 output board.
 2. The HH and LL set values cannot be set with the K31-C1.
 3. The selected bank number will be displayed where an asterisk (*) appears.

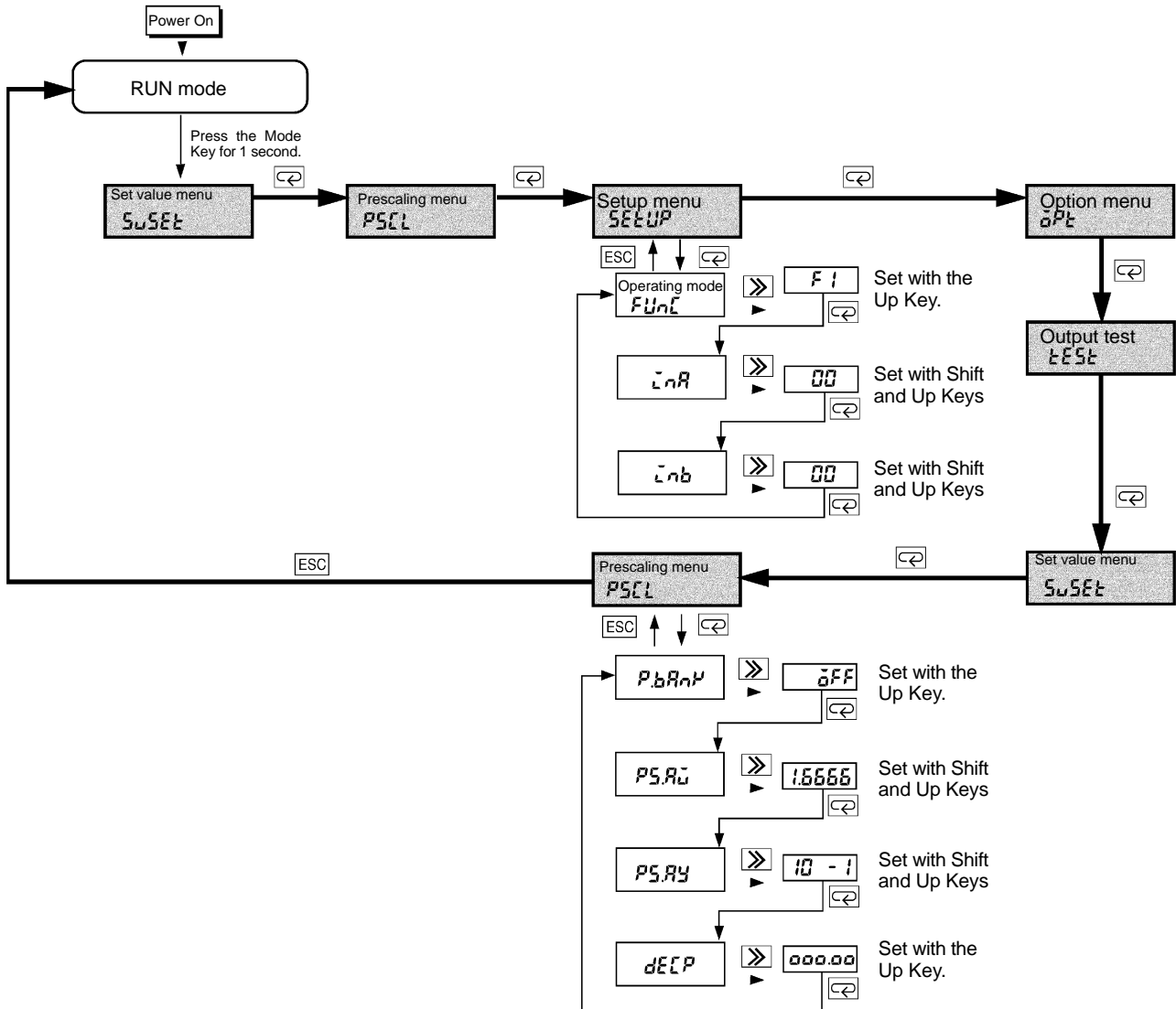
Protect Mode

Menu	Parameter	Output board			
		C1/C2 /C5/T1	B4	L4/L5/L6 /L9/L10	FLK4/ FLK5/ FLK6
<i>Prōt</i> Protect menu	<i>ALL</i> All key protect	YES	YES	YES	YES
	<i>SuSEt</i> Set value change prohibit	YES	YES	YES	YES
	<i>rESEt</i> Maximum/Minimum value clear prohibit to reset to the initial state	YES	YES	YES	YES
	<i>SECr</i> Security	YES	YES	YES	YES

Appendix E

Setting Examples

In the following example, with the K3NP, passing speed (mm/s) on condition that there is a distance of 1 meter between the sensors with transistor output, the prescaling bank is set to OFF, and the prescaling value is set to 1000 x 1/60 (i.e., approximately 16.6666).



- Note**
1. If the operating mode setting is changed, all the other parameters are set to default values except those for the communications and settings in protect mode. Therefore, set the operating mode first.
 2. The displayed setting will be validated automatically if no change is made for five seconds and the next parameter will be displayed.

Index

A

All Key Protect, setting, 71
auxiliary power supply, wiring, 12

B

BANK input, wiring, 13
bank selection, 84
BANK1 signal, 84
BANK2 signal, 84
Base Unit, available models, 107
baud rate, setting, 56
BCD output, ratings, 102
BCD Output Boards
 connectors, 94
 operation, 93
 timing charts, 97

C

characteristics, 103
combination output boards, 17
communications, ratings, 102
communications format, setting, 58
communications function, 8
communications unit number, setting, 56
comparative output pattern, setting, 61
comparative output selection, description, 2
comparative outputs, setting, 62
cycle, 23
 operating mode setting, 50

D

default values, initializing set values, 91
dimensions, 10
display
 description, 3
 troubleshooting, 100

E–F

elapsed time, 28
 operating mode setting, 50
error messages, 100
examples, setting examples, 113
external control inputs, 13
external input signals, operation, 84
flashing display, 100

H

HOLD input, wiring, 13
HOLD input, 86
 description, 2
host computer, unit number setting, 56

I

indicators, description, 3
Initialization, of set values, 91
Input Block, 11
input frequency
 maximum for interval measurements, 35
 maximum for length measurements, 32
inputs, wiring, 12
interval, 34
 operating mode setting, 50

L

LED indicators, description, 3
length measurement, 31
 operating mode setting, 50
level output, 62
linear output, ratings, 102
linear output boards, 17
linear output range, setting, 64
linear output range, teaching, 89
local programming, setting, 67

M

- Maintenance mode, 8
- Maintenance mode, operation, 91
- maximum input frequency, 32, 35
- maximum values
 - displaying and resetting, 82
 - resetting, 85
- memory error, 100
- menu overview
 - Protect mode, 70
 - Setting mode, 40
- menus
 - option menu, 61
 - prescaling menu, 46
 - protect menu, 71
 - setting value menu, 42
 - setup menu, 50
- minimum values
 - displaying and resetting, 82
 - resetting, 85
- model numbers, meaning, 108
- models, standard models, 107
- modes, operating modes, 7
- mounting method, 11

O

- open collector input, wiring, 12
- operating mode
 - basic operation, 19
 - setting, 50
- operating modes
 - 10 – length measurement, 31
 - 11 – interval, 34
 - 6 – passing speed, 20
 - 7 – cycle, 23
 - 8 – time difference, 25
 - 9 – elapsed time, 28
- operation keys, description, 3
- option menu, 61
- output board, 14
- Output Boards
 - available models, 107
 - available parameters, 109
- output error, 100
- output test, operation, 90
- output test function, description, 2

P

- panel cutouts, 10
- parameter settings, 37
 - procedures, 38
- parameters
 - available in each Output Board, 109
 - list, 105
- parity bits, setting, 58
- PASS output, 61
- passing speed, 20
- passing speed, operating mode setting, 50
- Power Supply, wiring, 12
- power supply, wiring auxiliary power supply, 12
- prescaling, description, 2
- precautions
 - general, xi
 - wiring, 11
- prescaling, settings, 46
- prescaling menu, 46
- prescaling value, setting, 46
- protect menu, 71
- Protect mode, 8
- Protect mode, 69
 - selecting, 69

R

- ratings, 101
- recovery time
 - for elapsed time measurements, 29
 - for interval measurements, 35
 - for length measurements, 32
 - for passing speed measurements, 21
 - for time difference measurements, 26
- relay contact output, ratings, 102
- elay input, setting, 52
- relay output boards, 16
- remote/local programming, setting, 67
- remote/local selection, description, 2
- RESET input, wiring, 13
- RESET input, description, 2
- Reset Prohibit, setting, 74
- RESET signal, 85
- response time, of HOLD input, 21, 24, 26, 29, 32, 35
- RUN mode, 7
- RUN mode, operations, 79

S

Security, setting, 76
sensor type, setting, 52
set value, teaching, 88
set value menu, 42
set values, 42
 changing, 80
 displaying, 80
 initializing, 91
 protecting, 72
 setting ranges, 42
setting examples, 113
Setting mode, 8
Setting mode, 39
 selecting, 39
Setting Value Change Prohibit, setting, 72
settings
 list, 105
 protecting, 76
setup, 9
setup menu, 50
specifications, 101
speed, displaying passing speed, 20
standard models, 107
standard output, 61
stop bits, setting, 58

T

teaching function, operation, 88
terminal arrangement
 BCD Output Boards, 94
 input block, 11
 output board, 14
terminal arrangement, 6
time difference, 25
 operating mode setting, 50
time units, setting, 54
timing charts, for BCD Output Boards, 97
transistor input, setting, 52
transistor output, ratings, 102
transistor output boards, 17
transit speed, 22
troubleshooting, 99

U-Z

unit number, setting, 56
voltage pulse input, wiring, 12
wiring, 12
word length, setting, 58
zone output, 62

