

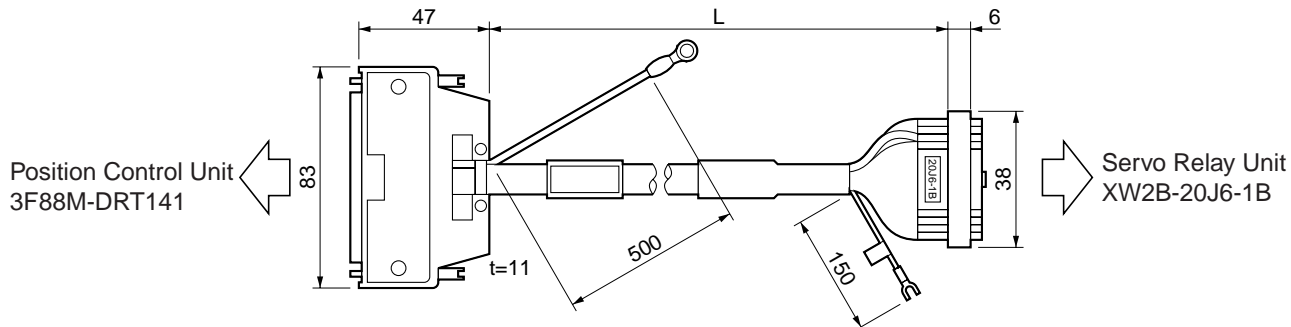
■ Position Control Unit Cables (XW2Z-□J-A25)

These Position Control Unit Cables connect 3F88M-DRT141 Single-shaft Positioner (for DeviceNet) and an XW2B-20J6-1B Servo Relay Unit.

● Cable Models

Model	Length (L)	Outer diameter of sheath	Weight
XW2Z-050J-A25	50 cm	10.0 dia.	Approx. 0.1 kg
XW2Z-100J-A25	1 m		Approx. 0.2 kg

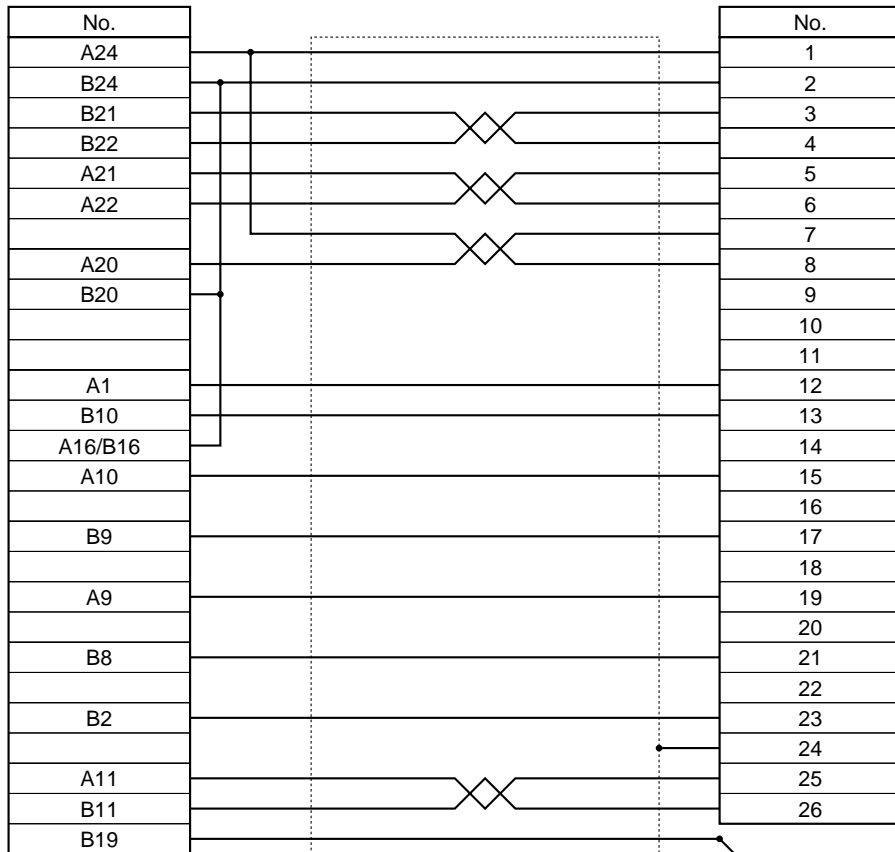
● Connection Configuration and External Dimensions



● Wiring

Position Control Unit

Servo Relay Unit



Crimp terminal
(Round)

Cable: AWG28 × 8P + AWG28 × 16C

Crimp terminal
(Y-type)