

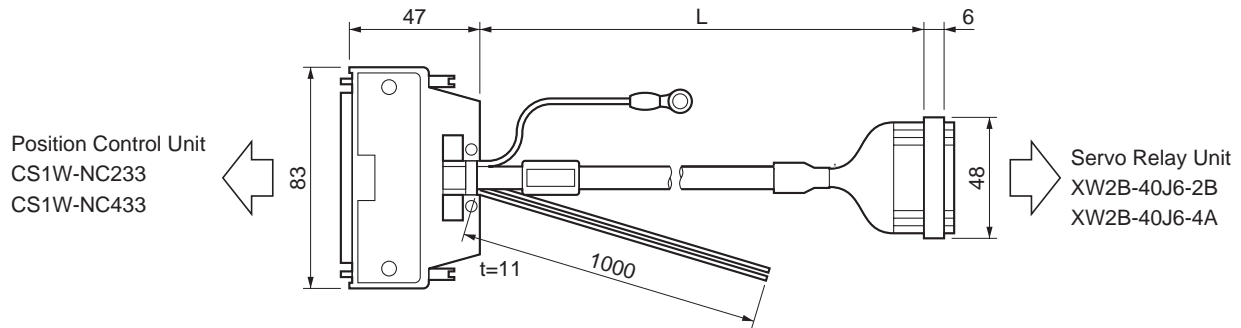
■ Position Control Unit Cables (XW2Z-□J-A13)

These Position Control Unit Cables connect a CS1W-NC233 or CS1W-NC433 Position Control Unit and an XW2B-40J6-2B or XW2B-40J6-4A Servo Relay Unit.

● Cable Models

| Model | Length (L) | Outer diameter of sheath | Weight |
|---------------|------------|--------------------------|----------------|
| XW2Z-050J-A13 | 50 cm | 10.0 dia. | Approx. 0.1 kg |
| XW2Z-100J-A13 | 1 m | | Approx. 0.2 kg |

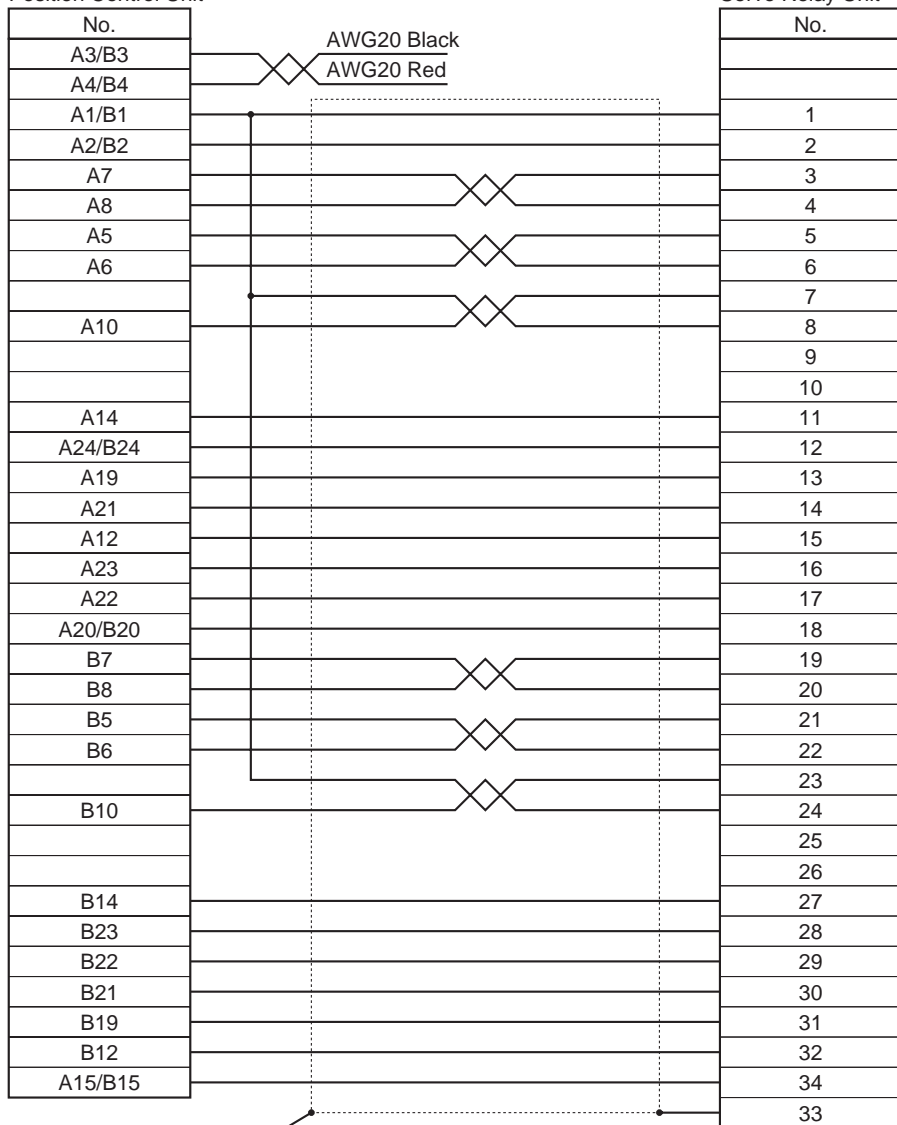
● Connection Configuration and External Dimensions



● Wiring

Position Control Unit

Servo Relay Unit



Crimp terminal

Calble: AWG28 x 6P + AWG28 x 17C