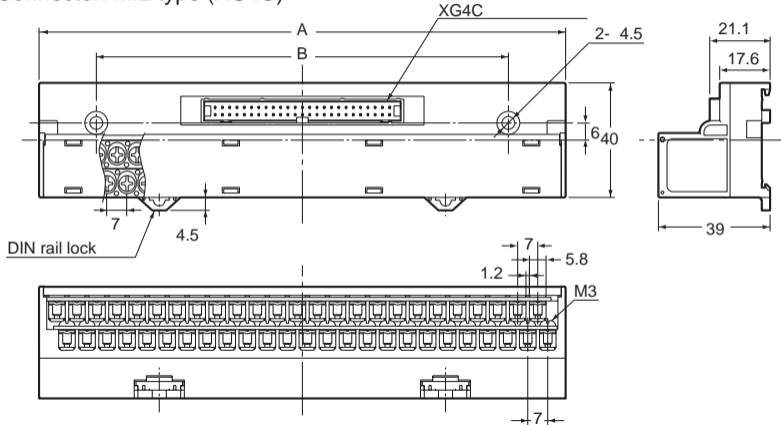


XW2D-xxC6

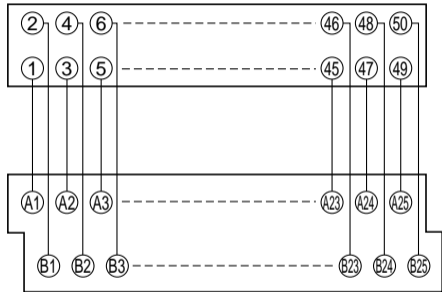
Connector: MIL type (XG4C)



Wiring

(In case of 50 pins)

PCB connector side



Terminal side