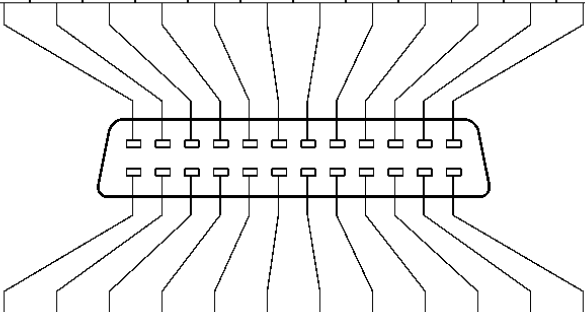


Pin number	A12	A11	A10	A9	A8	A7	A6	A5	A4	A3	A2	A1
Function	NC	NC	NC	V	IN 07	IN 06	IN 05	IN 04	IN 03	IN 02	IN 01	IN 00



Pin number	B12	B11	B10	B9	B8	B7	B6	B5	B4	B3	B2	B1
Function	NC	NC	NC	V	IN 15	IN 14	IN 13	IN 12	IN 11	IN 10	IN 09	IN 08