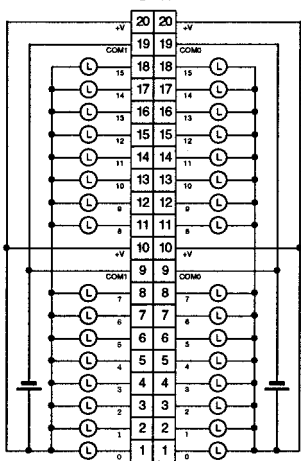


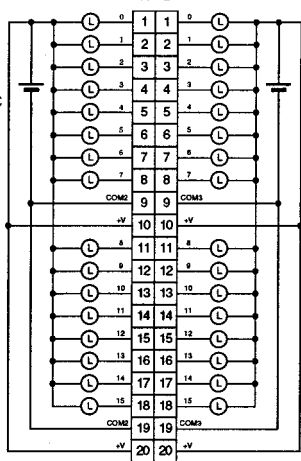
I/O word "m+1" **CN1** I/O word "m"



12 to 24 VDC

12 to 24 VDC

I/O word "m+2" **CN2** I/O word "m+3"



12 to 24 VDC  
12 to 24 VDC

12 to 24 VDC

12 to 24 VDC