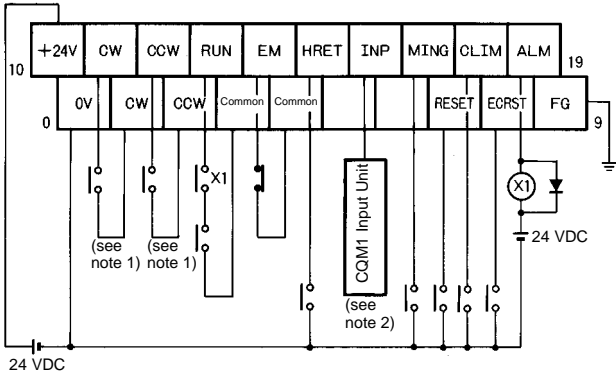


CQM1-H Models



Note:

1. When this signal is input, the output pulses of the CQM1 can be input to the high-speed counters directly.
2. Input this signal output to the CQM1 Input Unit.
3. The XB contact is used to turn the electromagnetic brake on and off.
4. Phase Z is an open collector output.
5. The open terminal must be left unconnected.
6. 0-V and common terminals are connected internally.
7. The suitable crimp terminal is R1.25-3 (round or fork type).