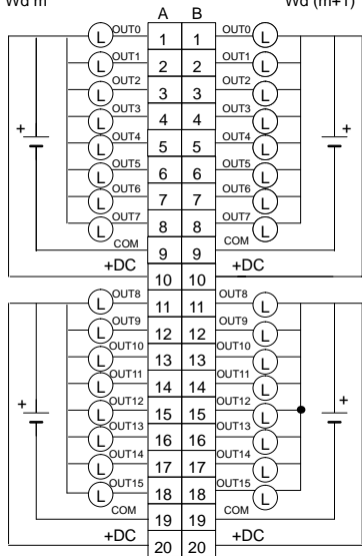


Wd m

Wd (m+1)

4.5 to
26.4 V DC

Note Do not reverse the polarity of the load power supply. If the load power supply is connected incorrectly, the loads may not operate correctly.

The COM terminals are internally connected, but they all must be wired.