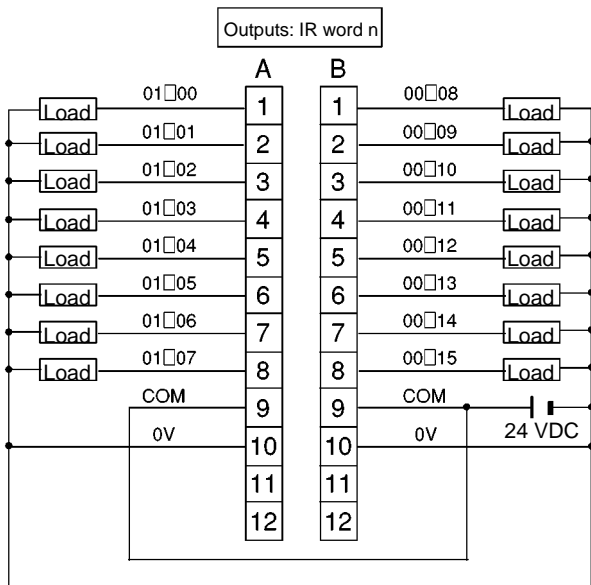


Expansion I/O Unit with 32 I/O Points, Sourcing Outputs: CPM2C-32EDT1C

Output capacity	Max. common capacity
00 to 07: 300 mA (24 VDC) 08 to 15: 100 mA (24 VDC)	3.2 A/common



Note Wire COM terminals (A9 and B9) and 0-V terminals (A10 and B10) even though they are connected internally.