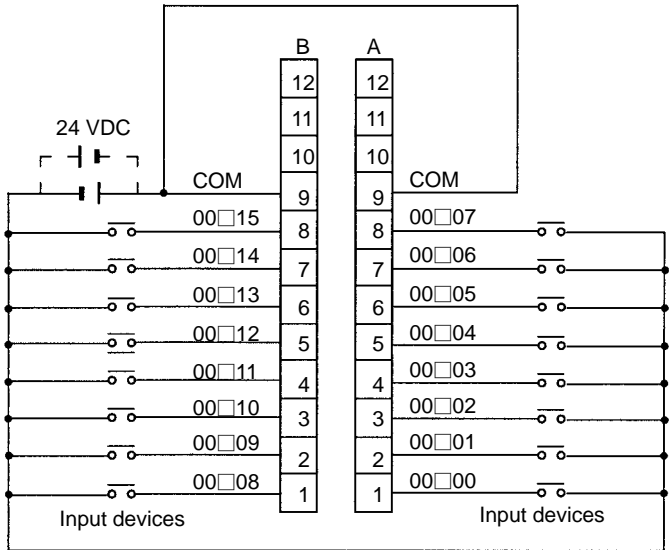


Expansion I/O Unit with 16 Input Points: CPM2C-16EDC

Inputs: IR word m



Note COM terminals (A9 and B9) are connected internally.