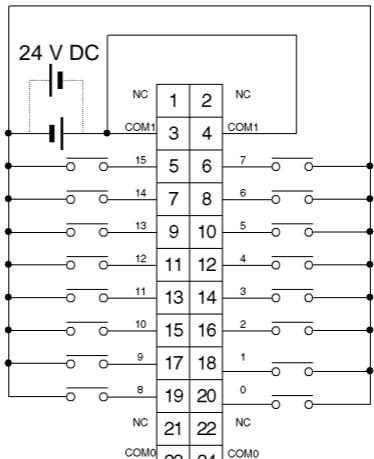


(m+1) CH



mCH

