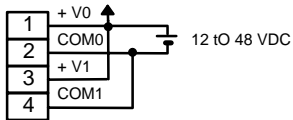
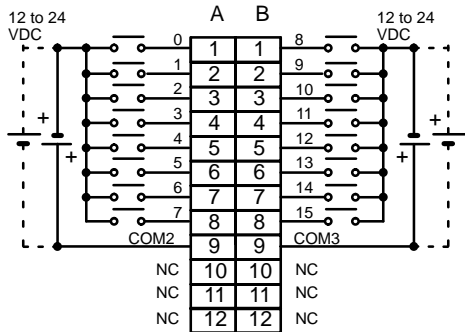


(Terminal) To common load



Note Select one of the connectors A9, A10, B9, B10, or terminal blocks 1 through 4, and wire them as power and common lines.

CNI



CNII

Note

The maximum switching capacity for solderless connectors is 1 A/common.