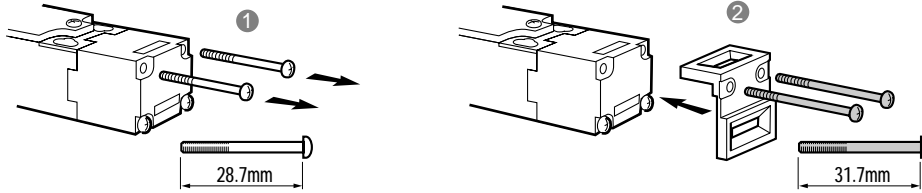


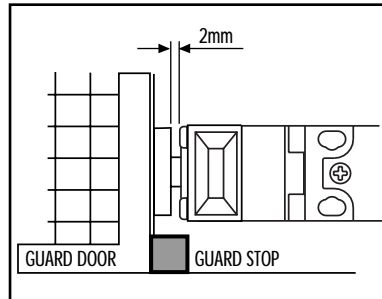
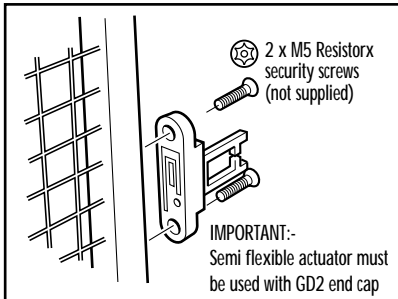
**Guardmaster®** **CADET & ELF**  
GD2 ACCESSORY KIT

**Description**  
The GD2 kit is intended for use with the Guardmaster Cadet and Elf interlock switches. The kit offers improved mechanical alignment, life and a reduction of minimum operating radius. Ideal for demanding applications.

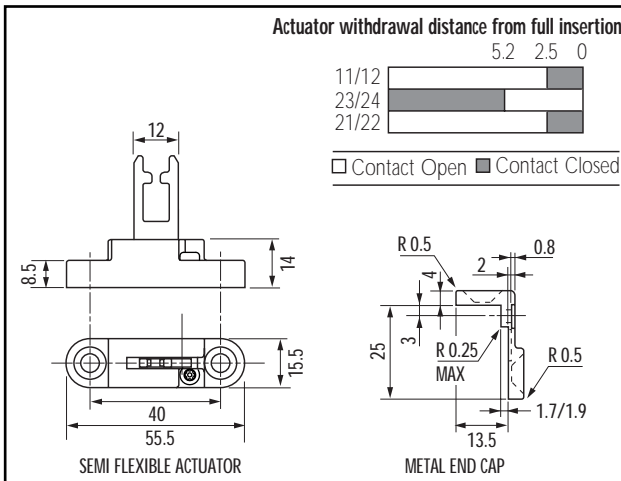
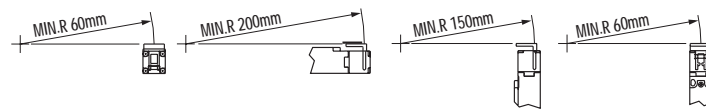
GD2 kit comprises of stainless steel end cap, 2 x fixing screws and 1 flexible actuator



**IMPORTANT:** The end cap fixing screws contained in this kit must be used.



Minimum Operating Radius Front-Entry using semi flexible GD2 actuator



**AUDIN Composants & systèmes d'automatisme**  
7 bis rue de Tinqueux- 51100 Reims - France  
Téléphone : 03 26 04 20 21 - Télécopie : 03 26 04 28 20  
Site internet : <http://www.audin.fr>  
E-mail : [info@audin.fr](mailto:info@audin.fr)

PART OF THE E.J.A. ENGINEERING GROUP