

## Installation Instructions

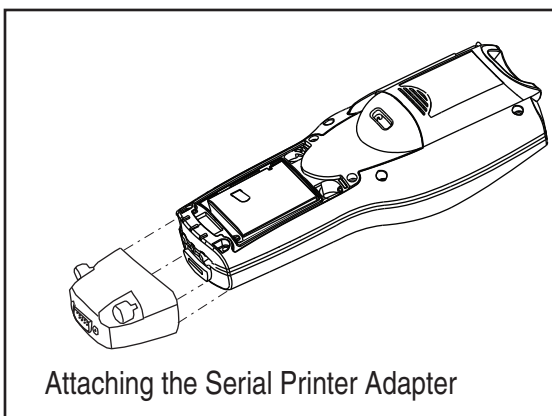
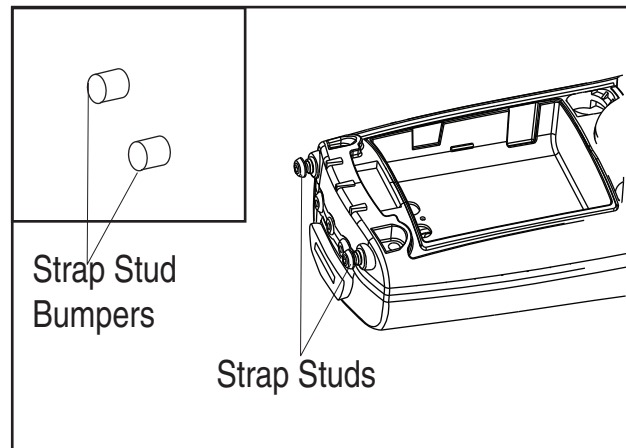


The Falcon 4400 Series Serial Printer Adapter attaches to the bottom of a Falcon 44XX unit and allows you to connect and print directly to a printer.

### Removing Strap Studs/Bumpers

To attach the printer adapter to a Falcon, you must remove the strap studs, as well as the optional strap stud bumpers, if present.

1. Loosen and pull off the strap stud bumpers (if present). If necessary, pry off using a screwdriver.
2. Use a 5/64" Allen wrench (included with the printer adapter kit) to loosen and remove each Strap Stud.



Once you have removed the strap studs, attach the adapter to the Falcon by sliding into place and tightening the thumbscrews on the adapter.

