

## STD Heron™ G

### Installation and Utilization Instructions



Figure 1

### GENERAL FEATURES

The STD Heron™ G is a stand for the Heron™ G barcode reader for hands-free operation. It also provides that the reader's handle is always within the operator's reach.

The mounting kit supplied with the stand contains the following components:

- ◆ 3 self-tapping screws
- ◆ 2 adhesive strips
- ◆ 3 rubber feet

### UTILISATION

Insert the reader head into the stand as shown in Figure 1.

Position the reader for the best orientation with respect to the barcodes to read. It is possible to get a better reading position by rotating the gun support in the direction of the arrow shown in Figure 1.

### ASSEMBLING THE STD Heron™ G

To assemble the STD Heron™ G proceed as follows, referring to Figure 2:

1. Connect the left and right supports by means of the magnet ⑥, then fix them to the central support ② with the positioning screw ③.
2. Position the assembly by screwing the central support ② into the tube ①.
3. Position the assembly onto the base by fixing the tube ① with the fixing screw ④.

The gun-holder position can be adapted to each gun by loosening the positioning screw ③, repositioning the gun support, and tightening the positioning screw ③.

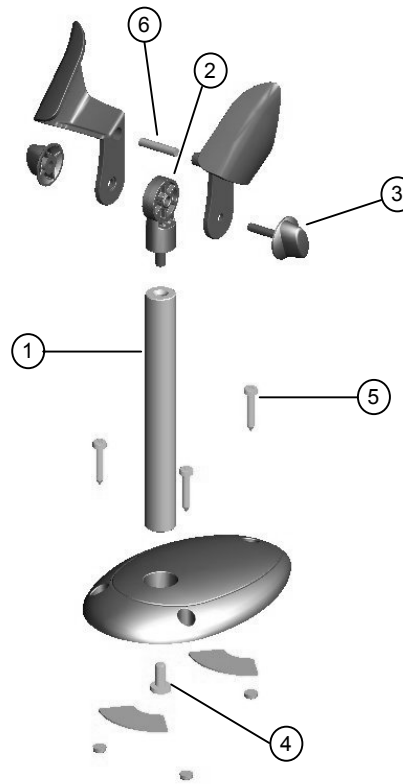


Figure 2

### FIXED DESKTOP USE

The STD Heron™ G can be mounted to any surface using either the 3 self-tapping screws, or by using the 2 double-sided adhesive strips.

Refer to Figure 2 while proceeding as follows:

#### Mounting with screws:

1. Be sure that the STD Heron™ G is already assembled.
2. Fix the STD Heron™ G base to the desired surface by means of the three self-tapping screws ⑤.

#### Mounting with adhesive strips:

1. Carefully clean bottom surface of the holder with alcohol to remove any impurities that could reduce the adhesion.
2. Remove the protective plastic from one side of the adhesive strips and stick them onto the bottom surface of the holder.
3. Remove the plastic from the other side of the strips and affix the STD Heron™ G to the surface, as shown in Figure 2.

#### **NOTE**

The surface must be smooth and clean to allow a correct adhesion.

### PORTABLE DESKTOP USE

The STD Heron™ G can also be used as a portable desktop stand by simply mounting the 3 rubber feet on the relative seats on the bottom of the stand.