

STD-1030

Installation and Utilization Instructions



Figure 1

GENERAL FEATURES

The STD-1030 is a Stand for the Catcher™ barcode scanner that can be mounted to a wall or other vertical surface.

The mounting kit supplied with the Wall Stand contains the following components:

- ◆ 2 threaded dowels
- ◆ 2 self-tapping screws
- ◆ 2 scanner fixing screws
- ◆ 2 washers
- ◆ 1 hex key

UTILISATION

The scanner may be positioned for the best orientation with respect to the barcodes to read: to get a better reading position, the scanner support can be rotated in the direction of the arrows shown in Figure 1.

820001530

MOUNTING THE WALL STAND

To mount the STD-1030 proceed as follows:

1. Drill two appropriate size holes
2. Insert the threaded dowels into the holes
3. Position the holder on the wall and affix it by means of the two self-tapping screws.

FIXING CATCHER™ INTO STAND

To fix the Catcher™ proceed as follows referring to Fig. 2:

1. Mount the Wall Stand as described above
2. Loosen the positioning screw ① in order to adapt the stand positioning support ② and, consequently, the scanner position to your needs
3. Now, tighten the positioning screw ①
4. Insert Catcher™ into the stand positioning support ② and fix them together by means of the two scanner fixing screws ③ and washers ④.

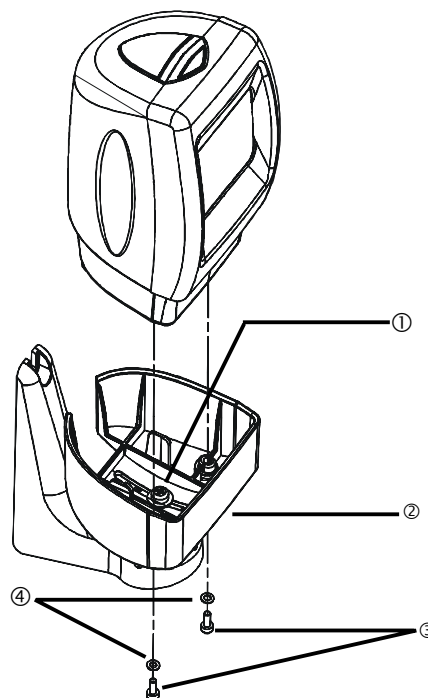


Figure 2