

## STD-1020

### Installation and Utilisation Instructions



Figure 1

### GENERAL FEATURES

The STD-1020 is a Desktop stand for the Catcher™ barcode scanner for hands-free operation.

### UTILISATION

Insert the scanner into the stand as shown in Figure 1.

The scanner may be positioned for the best orientation with respect to the barcodes to read: to get a better reading position, the scanner support can be rotated in the direction of the arrow shown in Figure 1.

To position the Desktop stand proceed as follows, referring to Figure 2:

1. Loosen the positioning screw ① in order to adapt the stand positioning support ⑥ and, consequently, the scanner position to your needs
2. Now, tighten the positioning screw ①
3. Insert the Catcher™.

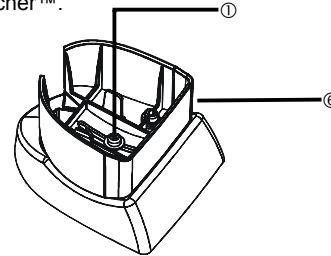


Figure 2

### FIXED DESKTOP USE

The STD-1020 can be mounted to any surface using 2 self-tapping screws (not provided).

Refer to Figure 3 to first detach the stand base cover ② from the stand base support ③:

1. Loosen the positioning screw ①
2. Unscrew the two fixing screws ⑤ and detach the stand base cover ② from the stand base support ③

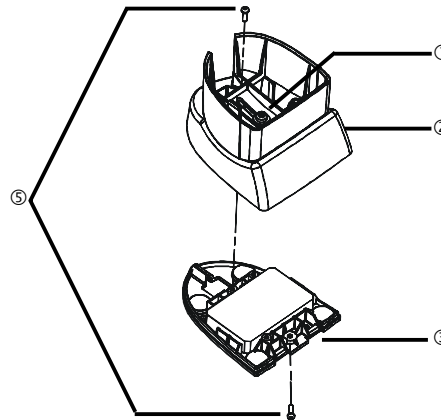


Figure 3

AUDIN - 7 bis rue de Tinquex - 51100 Reims - France  
 Tel : 03.26.04.20.21 - Fax : 03.26.04.28.20  
 Web : <http://www.audin.fr> - Email : [info@audin.fr](mailto:info@audin.fr)

Now, proceed as follows referring to Fig. 4:

3. Fix the stand base support ③ to the desired surface by means of two self-tapping screws ④ (not provided)
4. Place the stand base cover ②, assembled with its stand positioning support ⑥, onto the stand base support ③
5. Fix them by means of the fixing screw ⑤ and tighten the positioning screw ①.

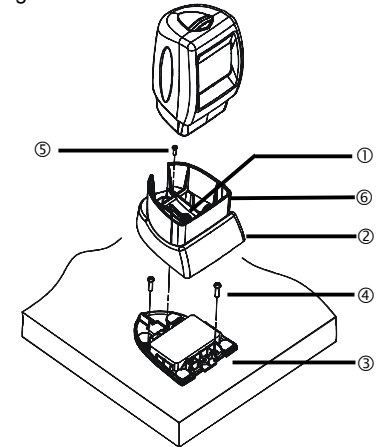


Figure 4

### EXTENDING THE STD-1020

An accessory extension can be inserted between the STD-1020 and the scanner to adapt your reading needs.

Insert the spacer support ⑦ onto the stand positioning support ⑥ as shown in Figure 5.

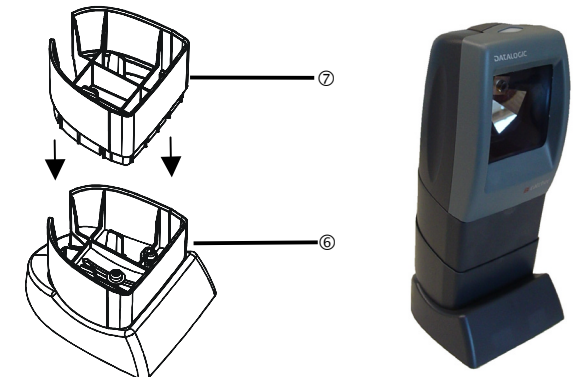


Figure 5

820001520