



**C-BOX 100**  
Installation Manual



AUDIN - 7 bis rue de Tinquaux - 51100 Reims - France  
Tel : 03.26.04.20.21 - Fax : 03.26.04.28.20  
Web : <http://www.audin.fr> - Email : [info@audin.fr](mailto:info@audin.fr)

AUDIN - 7 bis rue de Tinquaux - 51100 Reims - France  
Tel : 03.26.04.20.21 - Fax : 03.26.04.28.20  
Web : [http: www.audin.fr](http://www.audin.fr) - Email : [info@audin.fr](mailto:info@audin.fr)

# **C-BOX 100**

## **INSTALLATION MANUAL**





DATALOGIC S.p.A.  
Via Candini 2  
40012 - Lippo di Calderara di Reno  
Bologna - Italy

C-BOX 100

Ed.: 09/2003

ALL RIGHTS RESERVED

Datalogic S.p.A. reserves the right to make modifications and improvements without prior notification.

Datalogic shall not be liable for technical or editorial errors or omissions contained herein, nor for incidental or consequential damages resulting from the use of this material.

Product names mentioned herein are for identification purposes only and may be trademarks and or registered trademarks of their respective companies.

© Datalogic S.p.A. 2001 - 2003

821000552 (Rev. B)

AUDIN - 7 bis rue de Tinquaux - 51100 Reims - France  
Tel : 03.26.04.20.21 - Fax : 03.26.04.28.20  
Web : <http://www.audin.fr> - Email : [info@audin.fr](mailto:info@audin.fr)

# CONTENTS

---

	<b>GUIDE TO INSTALLATION .....</b>	<b>iv</b>
	<b>GENERAL VIEW .....</b>	<b>v</b>
	<b>SAFETY PRECAUTIONS.....</b>	<b>vii</b>
	Power Supply.....	vii
<b>1</b>	<b>GENERAL FEATURES .....</b>	<b>1</b>
1.1	Description .....	1
1.2	Supported Scanner Models.....	1
<b>2</b>	<b>INSTALLATION.....</b>	<b>2</b>
2.1	Package Contents.....	2
2.2	Opening the Device .....	3
2.3	Mechanical Installation.....	4
2.4	Electrical Connections and Setup .....	6
2.4.1	Power Supply.....	7
2.4.2	System Wiring.....	8
2.4.3	Chassis Grounding Jumper Settings.....	10
2.4.4	Scanner Selection.....	11
2.4.5	RS485 Bus Termination.....	11
2.4.6	OM4000 Jumper Settings .....	12
2.5	9-Pin Scanner Auxiliary Serial Interface.....	13
<b>3</b>	<b>TECHNICAL FEATURES .....</b>	<b>14</b>

# GUIDE TO INSTALLATION

---

The following can be used as a checklist to verify all of the steps necessary for complete installation of the C-BOX 100.

- 1) Read all information in the section "Safety Precautions" at the beginning of this manual.
- 2) Correctly position and mount the C-BOX 100 within the reach of the barcode scanner cable, according to the information in paragraph 2.3.
- 3) Provide correct system cabling according to the signals necessary for your application (see all sub-paragraphs under 2.4).

The installation is now complete.

## GENERAL VIEW

---

### C-BOX 100



Figure A

- ① 25-pin scanner connector
- ② Compression connectors
- ③ Cover screws (4)

## C-BOX 100

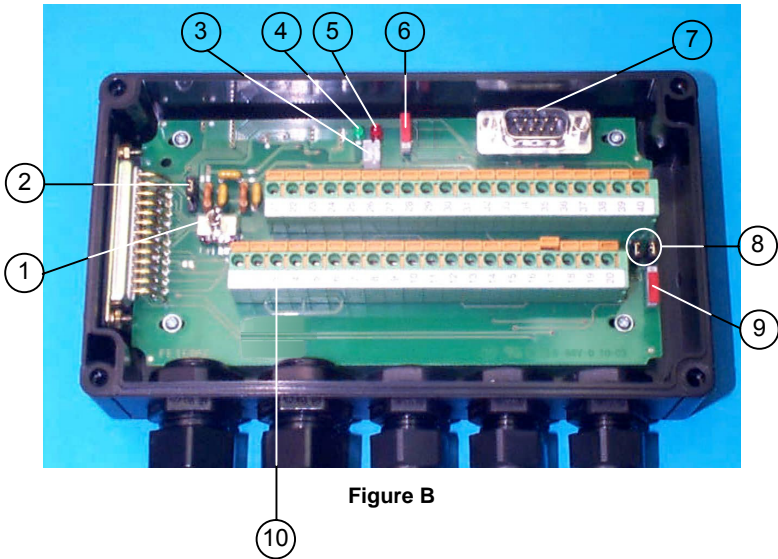


Figure B

- ① Power switch (ON/OFF)
- ② Chassis grounding selector
- ③ 20 mA C.L. connector
- ④ Power on LED (green)
- ⑤ Power Polarity Error LED (red)
- ⑥ Scanner selection switch
- ⑦ Auxiliary port connector
- ⑧ OM4000 jumpers
- ⑨ Termination resistance switch
- ⑩ Spring clamp terminal blocks



# SAFETY PRECAUTIONS

---

## POWER SUPPLY

ATTENTION: READ THIS INFORMATION BEFORE INSTALLING THE PRODUCT

- This product is intended to be installed by Qualified Personnel only.

The C-BOX 100 is intended to be supplied by an NEC Class 2 power source, rated 10-30 V, minimum 0.50 A.



**CAUTION**

*The overall value of power consumption of the system (C-BOX 100 + scanner) is given by adding the scanner power consumption to that of the C-BOX 100. Refer to the manual of the connected scanner for details about minimum/maximum supply voltage and power consumption.*

See par. 2.4.1 for correct power supply connections.

AUDIN - 7 bis rue de Tinquieux - 51100 Reims - France

Tel : 03.26.04.20.21 - Fax : 03.26.04.28.20

Web : [http: www.audin.fr](http://www.audin.fr) - Email : [info@audin.fr](mailto:info@audin.fr)

# 1 GENERAL FEATURES

---

## 1.1 DESCRIPTION

The C-BOX 100 is a connection box which can be used as an accessory of the Datalogic scanners to perform the following functions:

- Facilitate the connection of the scanner signals using a spring clamp connector.

The C-BOX 100 mechanical dimensions are 167 x 115 x 40 mm (6.57 x 4.53 x 1.57 in.). It weighs about 320 g. (11.29 oz).

Electrical connection is provided through spring clamp terminal blocks inside the C-BOX 100.

The scanner is connected to the C-BOX 100 through a 25-pin connector placed on the left side of the housing.

A 9-pin connector placed inside the C-BOX 100 facilitates connection between an external PC and the auxiliary serial interface of the scanner.

## 1.2 SUPPORTED SCANNER MODELS

The C-BOX 100 can be connected to the following scanners through the 25-pin connector illustrated in Figure A.

DS2100	DS4300	DS4600A	*DS2200	MATRIX-2XXX
DS2400	DS4600	*DS1100	DS6XXX	MATRIX-1XXX

- \* It is necessary to use 10-30 V versions for DS1100 and DS2200 scanners.

## 2 INSTALLATION

---

### 2.1 PACKAGE CONTENTS

Verify that the C-BOX 100 and all the parts supplied with the equipment are present and intact when opening the packaging; the list of parts includes:

- 1) C-BOX 100
- 2) Installation manual

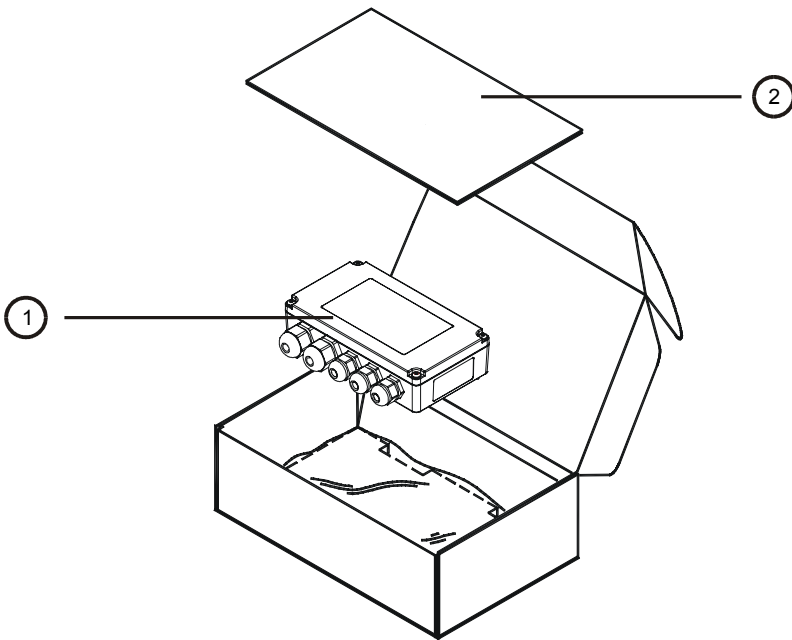


Figure 1 - C-BOX 100 Package Contents

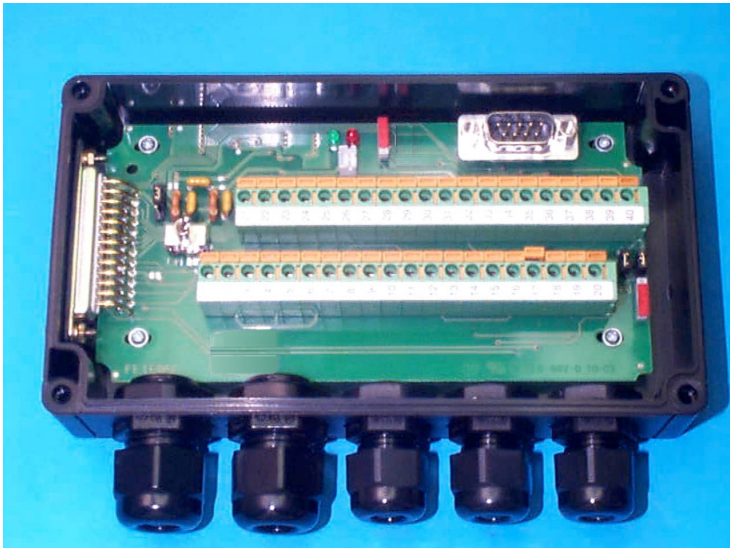
## 2.2 OPENING THE DEVICE

To install the C-BOX 100 or during normal maintenance, it is necessary to open it by unscrewing the four cover screws:



**CAUTION**

*The C-BOX 100 must be disconnected from the power supply during this operation.*



**Figure 2 - Opening the C-BOX 100**

It is possible to perform the following operations:

- Proceed with the cable connections (see paragraph 2.4.2).
- Mount the C-BOX 100 to a wall or panel.

## 2.3 MECHANICAL INSTALLATION

The diagram below gives the overall dimensions of the C-BOX 100 and may be used for its installation.

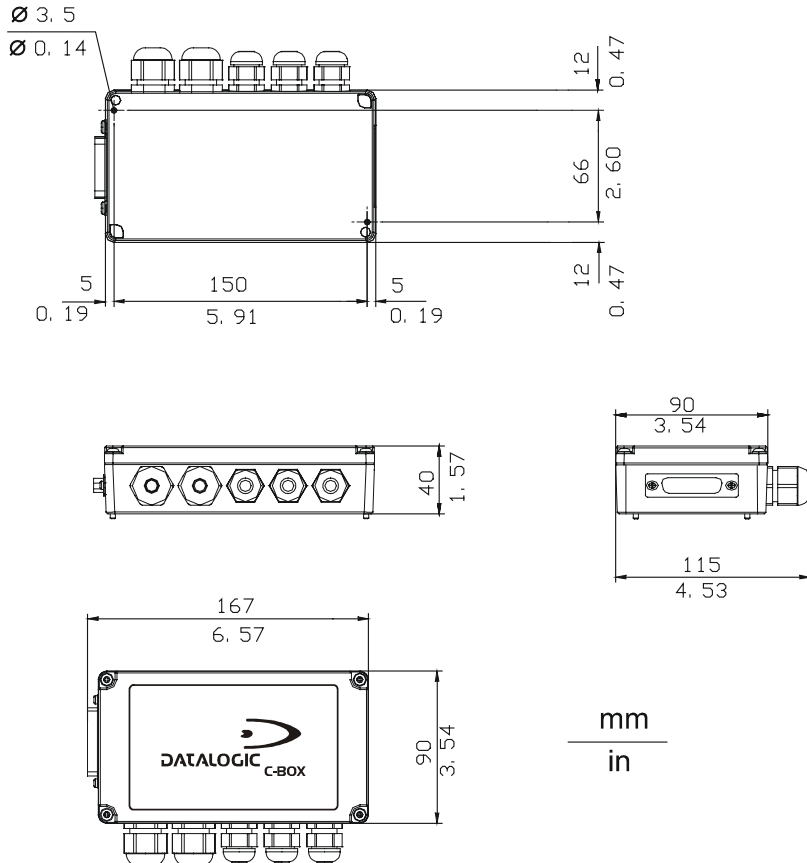
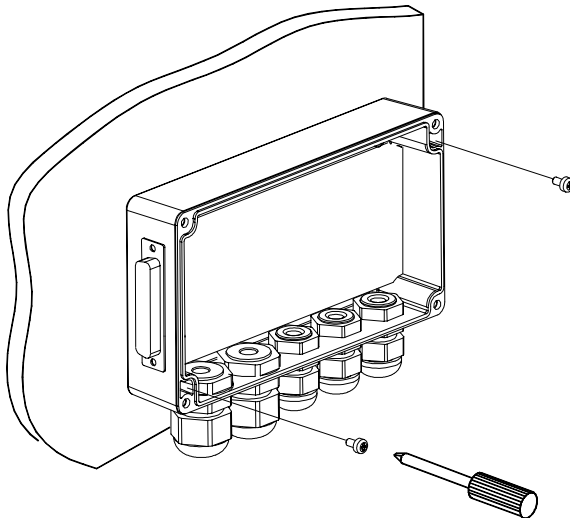


Figure 3 - Overall Dimensions

C-BOX 100 can be installed to operate in different positions. The two screw holes inside the housing of the C-BOX 100 are for mechanical fixture (Figure 4).

To mount the C-BOX 100:

- 1) Open the C-BOX 100 by unscrewing the 4 cover screws. If necessary, using the two mounting holes inside the device as a pattern, mark the panel with an appropriate object and then drill two holes in the panel.
- 2) Align the C-BOX 100 and insert two screws and screw them into the panel until tight (see Figure 4).



**Figure 4 - Mounting C-BOX 100**

## 2.4 ELECTRICAL CONNECTIONS AND SETUP

The following figure shows the typical layout. The dotted line in the figure refers to an optional hardware configuration.

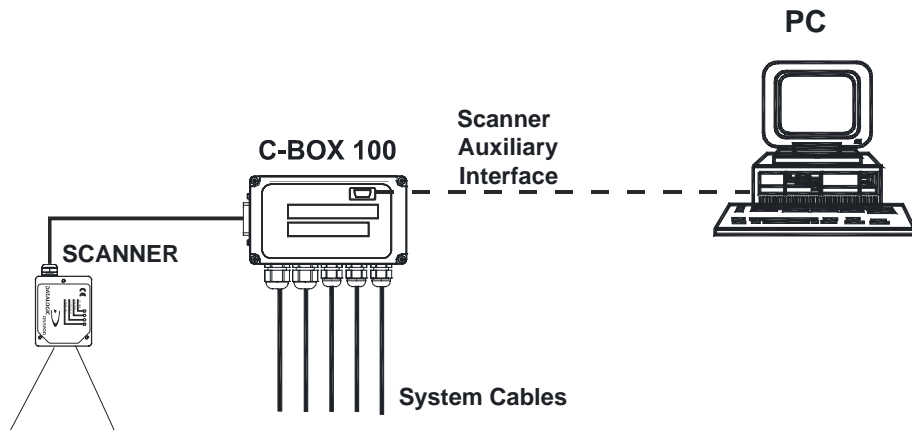


Figure 5 – System Layout

A PC can be quickly connected to the C-BOX 100 (and consequently to the scanner auxiliary interface) through the internal 9-pin connector. This allows monitoring of the data transmitted by the scanner or configuration through the WinHost utility (see the scanner Installation Manual for more details). The scanner auxiliary interface signals are also available on the internal spring clamp connectors.

After making system cabling and switch settings (see sub-paragraphs under 2.4), connect the scanner to the 25-pin connector on the left side of the C-BOX 100 housing.

Switch ON the C-BOX 100 power switch (see Figure 6). The correct polarity of the power connection is signaled by the green LED, while the red LED turns on in case of wrong polarity.



**NOTE**

*Power is supplied to the connected scanner (25-pin connector only) through an electronic circuit which:*

- *limits the slew rate of the power supplied to the scanner and, therefore, the inrush current at the input capacitors;*
- *provides short circuit protection and over current protection (automatic retry).*

After system functioning has been verified, close the C-BOX 100 using the 4 cover screws making sure the rubber seal is fitted correctly between the parts of the housing.



### 2.4.1 Power Supply

Power is supplied to the C-BOX 100 through the pins provided on the spring clamp connector.

The power switch (see Figure 6) switches the power supply ON or OFF for both the C-BOX 100 and the connected scanner.

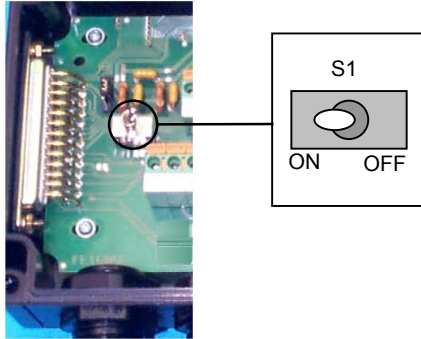


Figure 6 - Power Switch ON/OFF Positions

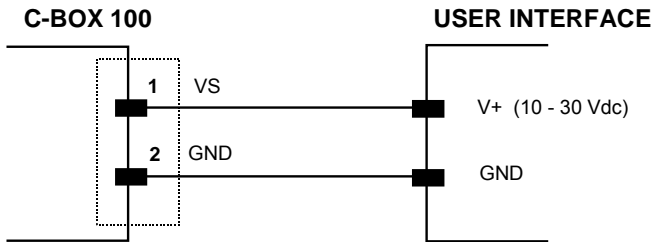


Figure 7 - Power Supply Connections



**NOTE**

*Pin 1 is also electrically connected to pins 3 and 5, just as pin 2 is electrically connected to pins 4 and 6. This is useful for external trigger/inputs connections.*

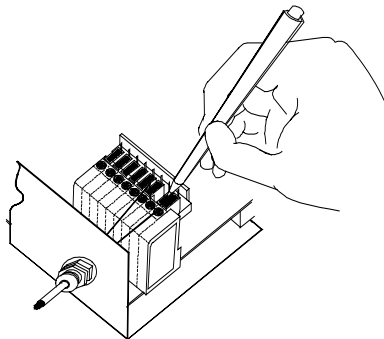
**The power supply must be between 10 and 30 Vdc only.**

## 2.4.2 System Wiring

The connection and wiring procedure for C-BOX 100 is described as follows:

- 1) Open the C-BOX 100 as described in paragraph 2.2.
- 2) Verify that the C-BOX 100 power switch is off (see Figure 6).
- 3) Unscrew the compression connectors and pass all the system cables through them into the C-BOX 100 housing.
- 4) To connect the power and input/output signals:
  - Prepare the individual wires of the system cables by stripping the insulation back approximately 1 cm.
  - Using a device such as a screwdriver, push down on the lever directly next to the clamp (see Figure 8).
  - Insert the wire into the clamp and release the lever.

The wire will now be held in the spring clamp.



**Figure 8 - System Cable Connections**

The wiring used can be solid or stranded but must meet the following specifications.

All positions:                      24 - 16 AWG                      0.2 - 1.5 mm<sup>2</sup>

The C-BOX 100 spring clamp connector pinouts are indicated in the following table.

**Refer to the scanner Installation Manual for details.**

Pin	Name				
1, 3, 5	VS				
2, 4, 6	GND				
7, 8	EARTH GROUND				
*9, 13	RS485 CABLE SHIELD				
20, 40	RESERVED				
35	TX AUX				
37	RX AUX				
	DS2100 DS2400	DS4300 DS4600/A	DS1100 DS2200	DS6XXX	MATRIX-2XXX (MATRIX-1XXX)
21	OUT1+	OUT1+	OUT1+	OUT1+	OUT1+ (NC)
22	OUT REF	OUT1-	IO REF	OUT1-	OUT1- (NC)
23	OUT2+	OUT2+	OUT2+	OUT2+	OUT2+ (NC)
24	OUT REF	OUT2-	IO REF	OUT2-	OUT2- (NC)
25	NC	RESERVED	NC	OUT 3A	OUT3+
26	NC	RESERVED	IN1-	OUT 3B	OUT3-
27	EXT TRIG+	EXT TRIG+	EXT TRIG+	EXT TRIG A	EXT TRIG A
28	EXT TRIG-	EXT TRIG-	EXT TRIG-	EXT TRIG B	EXT TRIG B
29	NC	IN1+	NC	IN 2A	IN 2A (NC)
30	NC	IN1-	IO REF	IN 2B	IN 2B(NC)
31	NC	IN2+	NC	IN 3A	NC
32	NC	IN2-	NC	IN 4A	NC
33	RESERVED	RESERVED	RESERVED	IN 3A	NC
34	RESERVED	RESERVED	RESERVED	IN 4A	NC
36	RTSA	GND	NC	IN 3B/IN 4B	NC
38	CTSA	SGND AUX	NC	GND	GND
*39	SGND	SGND	SGND	GND	GND
	DS2100 DS2400 DS4300 DS4600/A DS6XXX MATRIX-2XXX				DS1100 DS2200 (MATRIX-1XXX)
	RS232	RS485FD	RS485HD	20mA CL (**)	RTX485HD
*11, 15	TX232	TX485+	RTX485+	CLOUT+ ***	RTX485+
*12, 16	RTS232	TX485-	RTX485-	CLOUT-	RTX485-
17	RX232	RX485+		CLIN+ ***	RESERVED (NC)
18	CTS232	RX485-		CLIN-	RESERVED (NC)
*10, 14, 19	SGND MAIN	SGND MAIN	SGND MAIN	SGND MAIN	SGND MAIN

- \* The signals on pins 9, 10, 11 and 12 are repeated on pins 13, 14, 15 and 16 to facilitate network connections (i.e. Multiplexer connections using the RS485 half-duplex Interface). In this way the network bus can enter and exit the C-Box 100 from different spring clamps but be physically connected together;
- \*\* 20 mA C.L. interface is not available for MATRIX-2XXX;
- \*\*\* For DS4XXX scanners, the CLOUT+ and CLIN+ signals are available only when using a passive 20 mA C.L. interface (see relevant manuals for details);



*Pin 7 or 8 should be connected to the earth ground.*

**NOTE**

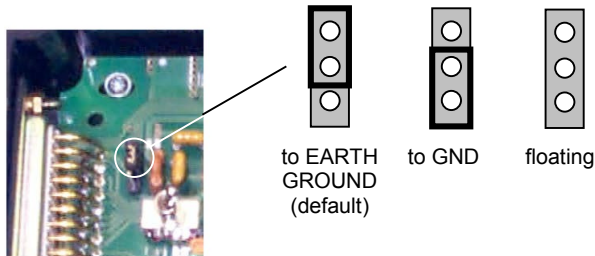
**NOTE**

*Grounding varies according to the scanner connected to the C-BOX 100:*

- *for DS2XXX scanners, pins 10, 14 and 19 (SGND MAIN) are internally connected to pin 39 (SGND);*
- *for DS4XXX scanners, pins 10, 14 and 19 (SGND MAIN) are internally connected to pin 39 (SGND);*
- *for DS6XXX scanners, the SGND MAIN pins are isolated (GND MAIN\_ISO).*
- *for MATRIX-2XXX readers, the SGND MAIN pins are isolated (GND MAIN\_ISO);*
- *for MATRIX-1XXX readers, SGND MAIN is internally connected to the GND through a filtering circuit.*

### 2.4.3 Chassis Grounding Jumper Settings

The scanner chassis grounding method can be selected by positioning a jumper (see Figure 9). In this way the scanner chassis can be connected to earth ground (only if pins 7 or 8 are connected to a good earth ground) or to the power supply ground signal. The scanner chassis can also be left floating but, in this case, the jumper must be removed.



**Figure 9 – Chassis Grounding**

The C-BOX 100 is now installed which completes the electrical connections for your scanning system.

### 2.4.4 Scanner Selection

The following figure indicates the correct switch position for each type of scanner.

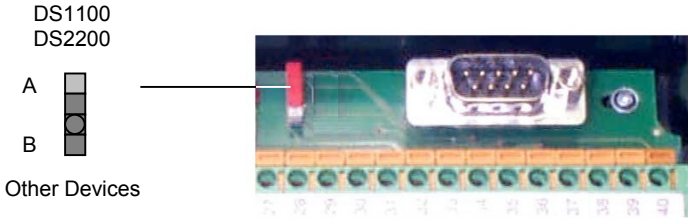


Figure 10 - Scanner Selection

The switch S3 must be set to A only when a DS1100 or a DS2200 scanner (10-30 V version) is connected. For all the other scanners the switch S3 must be set to B.

### 2.4.5 RS485 Bus Termination

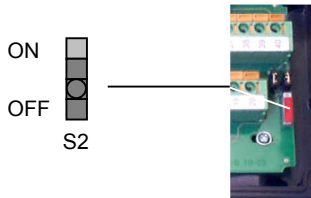



Figure 11 - Termination Resistance Switch

The switch S2 enables or disables the insertion of the bus termination resistor for RS485 Half Duplex Multidrop applications.

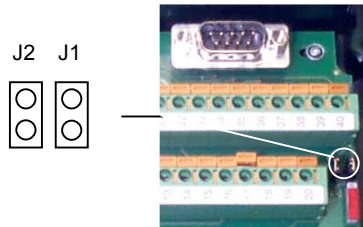


**CAUTION**

*In Multiplexer applications the termination resistor must be enabled ONLY on the last device of the chain, the farthest away from the Multiplexer (assuming the Multiplexer is the first device of the chain). On all the other devices this resistor MUST NOT be enabled (S2 = OFF).*

*Normally it is not necessary to enable the terminator resistor (S2 always OFF); it is suggested only in applications where the communication speed or the bus length are critical parameters.*

## 2.4.6 OM4000 Jumper Settings



**Figure 12 - OM4000 Jumpers**

These jumpers allow connection to the EXT TRIG signals on separate spring clamp terminals for applications which use the OM4000 Oscillating Mirror in Trigger Mode.

They are used together and have the following significance:  
 when a jumper is in the J1 position (see Figure above) pin 40 is connected to pin 27 (EXT TRIG+); a jumper in J2 position connects pin 20 to pin 28 (EXT TRIG-).

If the jumpers are removed pin 20 and pin 40 are disconnected.

## 2.5 9-PIN SCANNER AUXILIARY SERIAL INTERFACE

The scanner auxiliary serial interface available on the internal 9-pin connector can be used either for configuration through WinHost or for data monitoring.

The details of the connector pins are indicated in the following table:

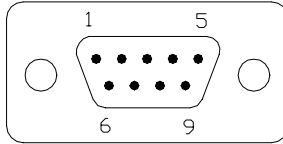


Figure 13 - 9-pin Male Connector

9-pin connector pinout		
Pin	Name	Function
1		N.C.
2	RXA	Auxiliary RS232
3	TXA	Auxiliary RS232
4		N.C.
5	SGND	Signal Ground
6		N.C.
9		N.C.
<b>DS2100 - DS2400</b>		
7	CTSA	Auxiliary Handshake RS232
8	RTSA	Auxiliary Handshake RS232
<b>DS4300 - DS4600/A</b>		
7	SGND AUX	Auxiliary Signal Ground
8	GND	Ground
<b>DS1100 - DS2200</b>		
7	N.C.	N.C.
8	N.C.	N.C.
<b>MATRIX-2XXX/1XXX</b>		
7	GND	Ground
8	N.C.	N.C.
<b>DS6XXX</b>		
7	GND	Ground
8	Not used	Not used

### 3 TECHNICAL FEATURES

<b>ELECTRICAL FEATURES</b>	
<b>Power</b>	
Supply voltage	10 to 30 Vdc*
Power consumption	0.5 W + scanner power consumption (see related manual)
Max current consumption (short circuit protection on 25-pin connector)	2 to 2.5 A
<b>USER INTERFACE</b>	
LED indicators	Power on LED (green) Power polarity error LED (red)
<b>PHYSICAL FEATURES</b>	
Mechanical dimensions	167 x 115 x 40 mm (6.57 x 4.53 x 1.57 in.)
Weight	about 320 g. (11.29 oz.)
<b>ENVIRONMENTAL FEATURES</b>	
Operating temperature	-10° to 50 °C (+14° to 122 °F)
Storage temperature	-20° to 70 °C (-4° to 158 °F)
Humidity max.	90% non condensing
Vibration resistance	IEC 68-2-6 test FC 1.5 mm; 10 to 55 Hz; 2 hours on each axis
Shock resistance	IEC 68-2-27 test EA 30G; 11 ms; 3 shocks on each axis
Protection Class	IP64 (when correctly connected to the scanner)

\* for further details about minimum/maximum supply voltage refer to the manual of the connected scanner, since the minimum supply voltage required may be >10.



#### NOTE

*The features given are typical at a 25 °C ambient temperature (if not otherwise indicated).*



DATALOGIC S.p.A.,  
Via Candini, 2  
40012 - Lippo di Calderara  
Bologna - Italy



dichiara che  
declares that the  
déclare que le  
bescheinigt, daß das Gerät  
declare que el

**C-BOX 100, passive connection box**

e tutti i suoi modelli  
and all its models  
et tous ses modèles  
und seine modelle  
y todos sus modelos

sono conformi alle Direttive del Consiglio Europeo sottoelencate:  
are in conformity with the requirements of the European Council Directives listed below:  
sont conformes aux spécifications des Directives de l'Union Européenne ci-dessous:  
der nachstehend angeführten Direktiven des Europäischen Rats:  
cumple con los requisitos de las Directivas del Consejo Europeo, según la lista siguiente:

<b>89/336/EEC EMC Directive</b>	e and et und y	<b>92/31/EEC, 93/68/EEC</b>	emendamenti successivi further amendments ses successifs amendements späteren Abänderungen succesivas enmiendas
---------------------------------	----------------------------	-----------------------------	---

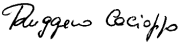
Basate sulle legislazioni degli Stati membri in relazione alla compatibilità elettromagnetica ed alla sicurezza dei prodotti.  
On the approximation of the laws of Member States relating to electromagnetic compatibility and product safety.  
Basée sur la législation des Etats membres relative à la compatibilité électromagnétique et à la sécurité des produits.  
Über die Annäherung der Gesetze der Mitgliedsstaaten in bezug auf elektromagnetische Verträglichkeit und Produktsicherheit entsprechen.  
Basado en la aproximación de las leyes de los Países Miembros respecto a la compatibilidad electromagnética y las Medidas de seguridad relativas al producto.

---

Questa dichiarazione è basata sulla conformità dei prodotti alle norme seguenti:  
This declaration is based upon compliance of the products to the following standards:  
Cette déclaration repose sur la conformité des produits aux normes suivantes:  
Diese Erklärung basiert darauf, daß das Produkt den folgenden Normen entspricht:  
Esta declaración se basa en el cumplimiento de los productos con las siguientes normas:

<b>EN 55022, August 1994:</b>	LIMITS AND METHODS OF MEASUREMENTS OF RADIO DISTURBANCE CHARACTERISTICS OF INFORMATION TECHNOLOGY EQUIPMENT (ITE)
<b>EN 50082-2, March 1995:</b>	ELECTROMAGNETIC COMPATIBILITY. GENERIC IMMUNITY STANDARD. PART 2: INDUSTRIAL ENVIRONMENT

Lippo di Calderara, 07/03/2001

Ruggero Cacioppo  
  
Quality Assurance Supervisor