



Industrial Safety Systems



Rope Pull Switch i150RP
Safety Command Devices



SICK
Sensor Intelligence.



- Up to 75 m cord length
- Lid-mounted emergency stop button provides E-Stop access even at the ends of the span
- Rope-operated emergency stop switch according to EN 418 and EN 60947-5-5
- Housing material die-cast zinc
- Cable gland 3 x M20
- Wide range of accessories for quick installation



Overview of technical specifications

Number of positive action normally closed contacts (depending on type)	2 / 3
Number of normally open contacts (depending on type)	1 / 2
Housing material	Metal
Connection type	Cable gland

Product description

- Rope-operated switch
- 4-pole contact element
- Complete wire sets available for simple installation

In-system added value

Safety relays

Safety relays allow simple integration of safety components into machinery or plant.

Safety controllers

Safety controllers are utilised when the safety function (e.g. switching off a dangerous movement) is to be accomplished in a flexible way by logical combination of safety relevant signals. Operation of machinery becomes more flexible as well as generation of machine variants becomes more easy.

Safety network solutions

Safety network solutions are utilised in plants and machinery of larger scale. This is saving cabling and enables modular design of the safety automation. Potential errors or faults can be easily localised and quickly trouble shooted thanks to comprehensive diagnostics functions. That significantly reduces machine down times. SICK offers solutions for the open automation standards: AS-i Safety at Work, DeviceNet Safety and PROFIsafe.

Ordering information

Number of positive action normally closed contacts	Number of normally open contacts	Type	Part number
2	2	i150-RP223	6024884
3	1	i150-RP313	6024883

→ For detailed information about safetyPLUS® refer to www.sick-safetyplus.com

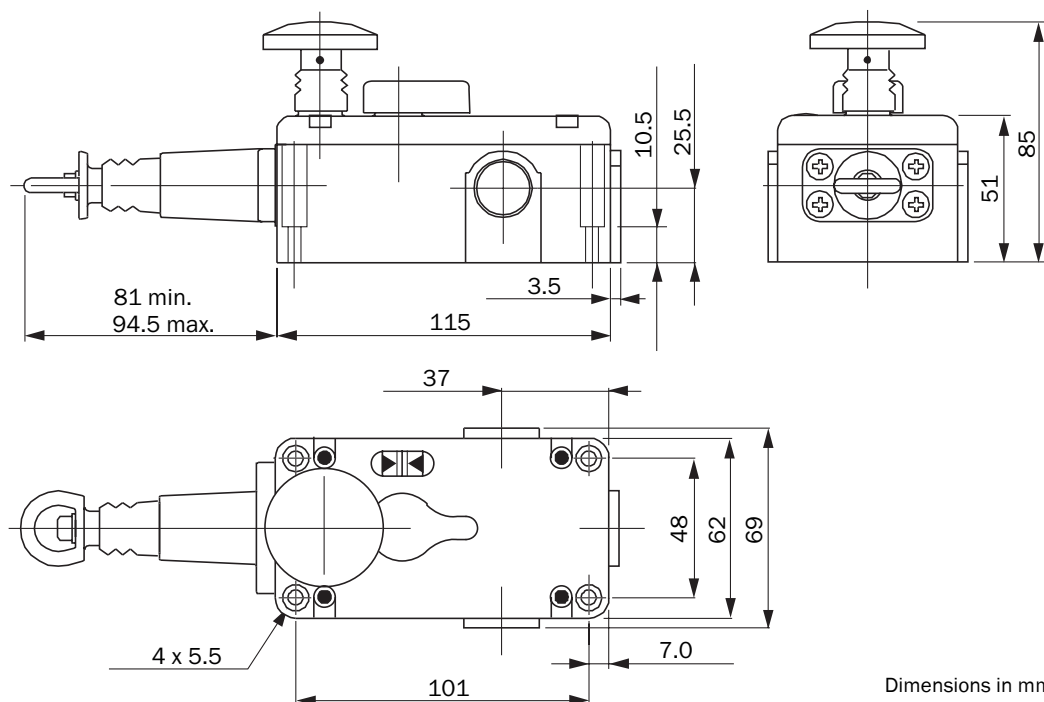


Further information	Page
→ Switching elements	4
→ Mounting	4
→ Rope accessories	5
→ Other accessories	6

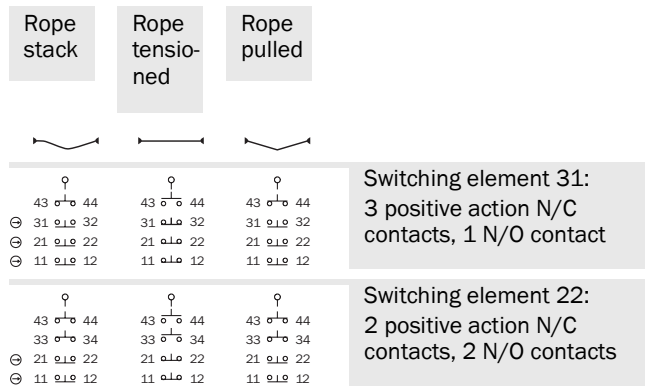
Detailed technical specifications

Type	i150-RP223	i150-RP313
Housing material	Metal	
Surface treatment	Varnished	
Enclosure rating	IP 65	
Mechanical life (relay contacts)	1 x 10 ⁶ switching cycles	
Ambient operating temperature from ... to	-25 °C ... +80 °C	
Actuation force (deflection)	Max. 125 N (300 mm)	
Actuation frequency	Max. 3600 /h	
Switching principle	Slow-action-switch	
Number of positive action normally closed contacts	2	3
Number of normally open contacts	2	1
Usage category in compliance with IEC 947-5-1	AC-15/DC-13	
Rated operating current (voltage)	2 A (250 V AC), 2 A (24 V DC)	
Rated insulation voltage U _i	250 V	
Rated impulse withstand voltage U _{imp}	2500 V	
Minimum switching voltage	5 V DC	
Minimum switching current (switching voltage)	5 mA (5 V DC)	
Connection type	Cable gland	
Connection conductor cross-section	1.5 mm ²	
Short-circuit protection	2A gG	
Maximum cord length	75 m	
Weight	0.8 kg	

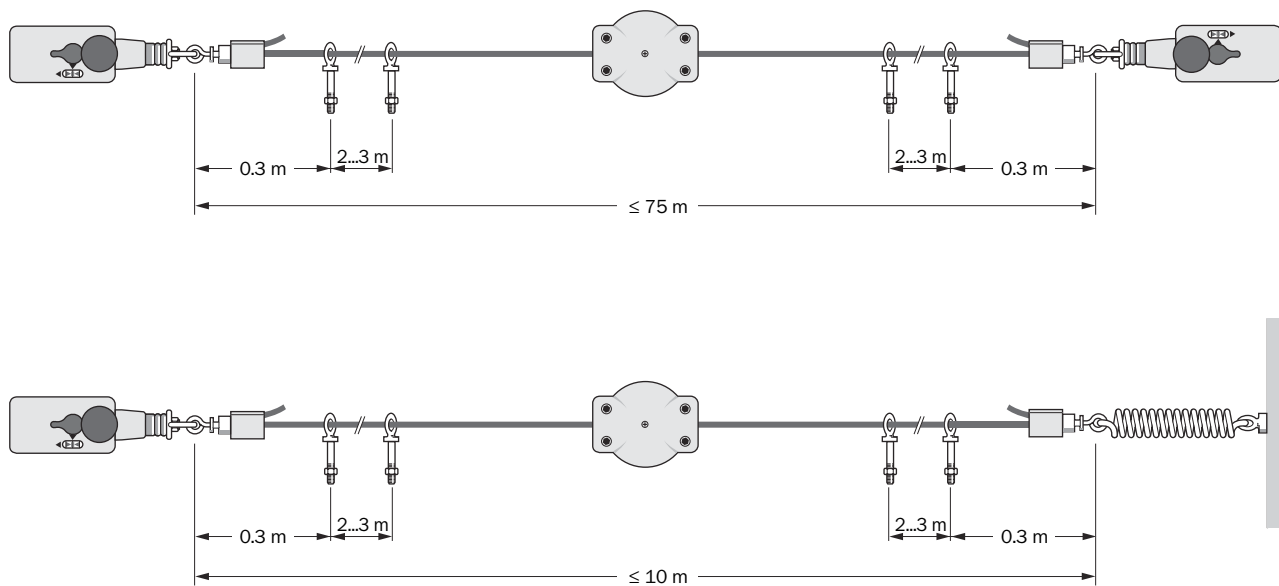
Dimensional drawings



Switching elements



Mounting

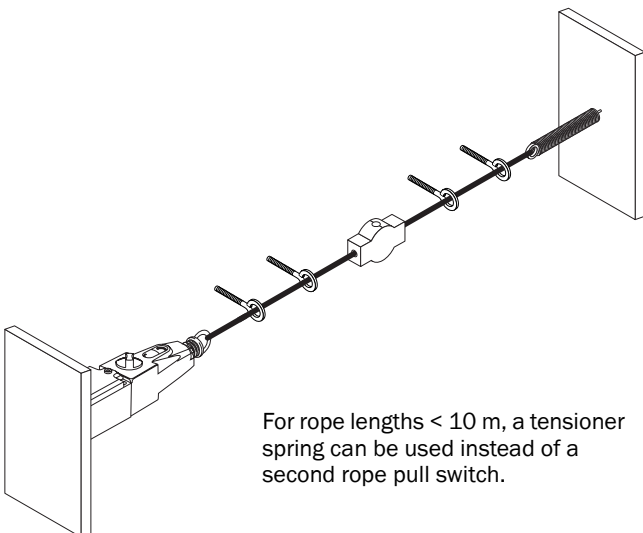
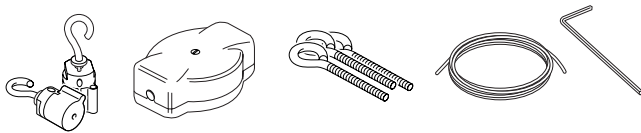


Mounting instructions

- For rope lengths up to 10 m the tensioner spring can be used instead of the second rope pull switch
- The first and the last eye bolt must be located 300 mm to the rope pull switch or to the tensioner spring
- Additional eye bolts are spaced 2 to 3 m
- The tensioner has to be placed in the middle of the rope

Rope accessories

Accessory type	Cord length	Type	Part number
Rope accessory set	5 m	iE110-P05	5311136
	10 m	iE110-P10	5311137
	20 m	iE110-P20	5311138
	30 m	iE110-P30	5311139
	50 m	iE110-P50	5320016
	75 m	iE110-P75	5320017
Rope	30 m	iE110-PL30	5310813
	100 m	iE110-PL100	5310814
Eye bolt	-	iE110-PEB	5309035
Tensioner set	-	iE110-PTR	5309034
Spring	-	iE110-PTS	5311290
Rope gripper	-	iE110-PRG	5314230



For rope lengths < 10 m, a tensioner spring can be used instead of a second rope pull switch.

Rope accessory set iE110-P05

2 rope grippers, 1 tensioner, 3 eye bolts, 5 m rope, 1 allen key

Rope accessory set iE110-P10

2 rope grippers, 1 tensioner, 6 eye bolts, 10 m rope, 1 allen key

Rope accessory set iE110-P20

2 rope grippers, 1 tensioner, 10 eye bolts, 20 m rope, 1 allen key

Rope accessory set iE110-P30

2 rope grippers, 1 tensioner, 14 eye bolts, 30 m rope, 1 allen key

Rope accessory set iE110-P50

2 rope grippers, 1 tensioner, 22 eye bolts, 50 m rope, 1 allen key

Rope accessory set iE110-P75

4 rope grippers, 1 tensioner, 32 eye bolts, 75 m rope, 1 allen key

Tensioner set iE110-PTR

2 rope grippers, 1 tensioner, 1 allen key

Rope gripper iE110-PRG

2 rope grippers

Other accessories

Cable gland

Type	Part number
Cable gland M20	5309164

SICK Industrial Safety Systems



Australia

Phone +61 3 9497 4100
1800 33 48 02 - tollfree
E-Mail sales@sick.com.au

Belgium/Luxembourg

Phone +32 (0)2 466 55 66
E-Mail info@sick.be

Brasil

Phone +55 11 5091-4900
E-Mail sac@sick.com.br

Ceská Republika

Phone +420 2 57 91 18 50
E-Mail sick@sick.cz

China

Phone +852-2763 6966
E-Mail ghk@sick.com.hk

Danmark

Phone +45 45 82 64 00
E-Mail sick@sick.dk

Deutschland

Phone +49 211 5301-260
E-Mail info@sick.de

España

Phone +34 93 480 31 00
E-Mail info@sick.es

France

Phone +33 1 64 62 35 00
E-Mail info@sick.fr

Great Britain

Phone +44 (0)1727 831121
E-Mail info@sick.co.uk

India

Phone +91-22-2822 7084
E-Mail info@sick-india.com

Italia

Phone +39 02 27 43 41
E-Mail info@sick.it

Japan

Phone +81 (0)3 3358 1341
E-Mail support@sick.jp

Nederlands

Phone +31 (0)30 229 25 44
E-Mail info@sick.nl

Norge

Phone +47 67 81 50 00
E-Mail austefjord@sick.no

Österreich

Phone +43 (0)22 36 62 28 8-0
E-Mail office@sick.at

Polska

Phone +48 22 837 40 50
E-Mail info@sick.pl

Republic of Korea

Phone +82-2 786 6321/4
E-Mail kang@sickkorea.net

Republika Slowenija

Phone +386 (0)1-47 69 990
E-Mail office@sick.si

Russia

Phone +7 495 775 05 34
E-Mail denis.kesaev@sick-
automation.ru

Schweiz

Phone +41 41 619 29 39
E-Mail contact@sick.ch

Singapore

Phone +65 6744 3732
E-Mail admin@sicksgp.com.sg

Suomi

Phone +358-9-25 15 800
E-Mail sick@sick.fi

Sverige

Phone +46 10 110 10 00
E-Mail info@sick.se

Taiwan

Phone +886 2 2365-6292
E-Mail sickgrc@ms6.hinet.net

Türkiye

Phone +90 216 587 74 00
E-Mail info@sick.com.tr

USA/Canada/México

Phone +1(952) 941-6780
1 800-325-7425 - tollfree
E-Mail info@sickusa.com

More representatives and agencies
in all major industrial nations at
www.sick.com