

## CDB 400 – Connection Device Basic

### The compact connection module for all SICK bar code scanners



#### Simplified commissioning of SICK bar code scan- ners

The CDB 400 offers all that is necessary for rapid industry-oriented connection of all SICK CLV 4xx and ICR 8xx scanners to SICK CAN-Scanner Networks, host computers or PLCs. Industry-oriented also means protected against dust and water spray. The bar code scanners of the CLV 4xx product family and the CDB 400 fulfil all the requirements of enclosure rating IP 65. Moreover, the CDB 420 is already prepared for retrofitting the CMC 400 Connection Module Cloning unit. This cloning module is installed on the CDB 420 in the slot provided for it, and offers an external auxiliary memory at the connection module for all scanner parameters. If a bar code scanner requires replacement, the application-specific parameters are automatically copied into the new device. A variety of function analyses can be carried out with the help of LEDs, visible through the transparent lid of the CDB 400.

The CDB 400 series offers a further opportunity for analysis and parameter-setting via a plug-in cable to the AUX interface of the CLV 4xx or ICR 8xx. This allows comfortable analysis and optimisation of the current bar code scanner reading rate parallel to read mode.

#### Your benefits:

- Low space requirement
- Rapid installation saves time
- Logical wiring to peripherals saves time
- Easy, rapid troubleshooting
- Small investment
- Extremely rapid exchange of scanners through use of CMC 400 Connection Module Cloning unit

#### The CDB 400 at a glance:

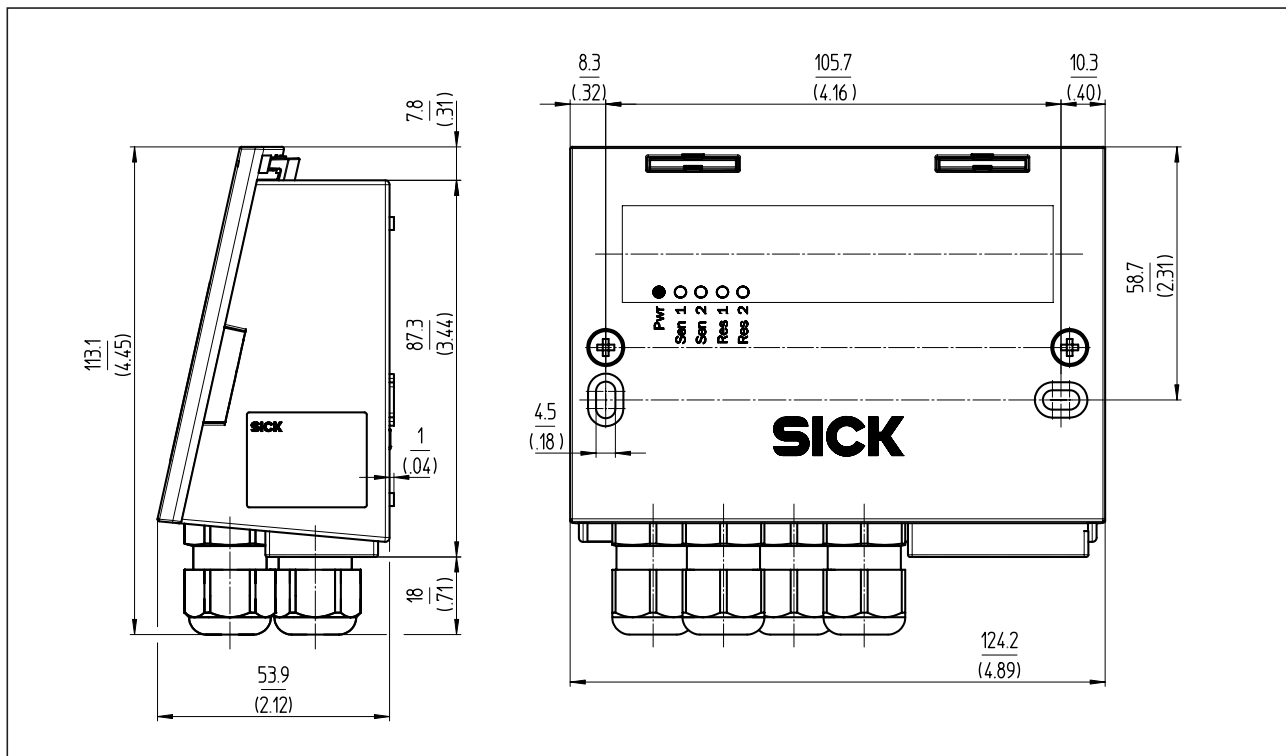
- Very small design
- Two mounting holes for rapid and precise installation
- Connection diagram integrated in lid
- Logical and easily accessible screw/spring-loaded terminals
- Configuration by switch
- IP 65 connection of scanner with standard cable
- Strain relief for cables through cable glands
- Service plug for direct access to the AUX interface

# Technical data

Type	CDB 410	CDB 420
Devices supported	CLV 41x	CLV 42x ... 45x, ICR 85x, CLV/X 490 with special cable
Basis for CMC 400	no	yes
Optical display	5 x LEDs	
Scanner connection	15-pin D-sub HD socket	
Service plug	9-pin D-sub plug, internal	
Supply voltage <sup>1)</sup>	V <sub>scanner</sub> + 1 V, (acc. to IEC 742)	
Power uptake <sup>1)2)</sup>	max. 3 W	max. 16 W
Housing	Polycarbonate	
Colour	Blue	
Approvals	CE, (cUL, UL, FCC in preparation)	
Safety class	Class 3 (acc. to VDE 0106)	
Enclosure rating	IP 65 (acc. to DIN 40 050), with standard scanner connection cable	
Weight	Approx. 250 g	
Temperature (operation/storage)	0 ... + 50 °C / -20 ... + 70 °C	
Relative humidity	max. 90 %, non-condensing	

<sup>1)</sup> Dependent on scanner type    <sup>2)</sup> CDB 400 unsuitable for power supply from scanners with heating

Order no.	Product
1 023 813	CDB 410-001
1 023 885	CDB 420-001
2 027 046	Connection cable for CLV/X 49x, 3 m
1 023 850	CMC 400-101 Cloning Module for scanner parameters



**AUDIN** Composants & systèmes d'automatisme  
 Siège : 7 bis rue de Tinquieux - 51100 Reims - France  
 Tel : 03.26.04.20.21 - Fax : 03.26.04.28.20  
 Web : <http://www.audin.fr> - Email : [info@audin.fr](mailto:info@audin.fr)



SICK AG · Auto Ident · Nimburger Straße 11 · 79276 Reute · Germany  
[www.sick.com](http://www.sick.com)