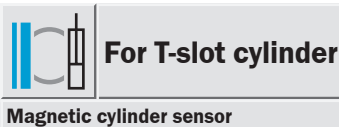
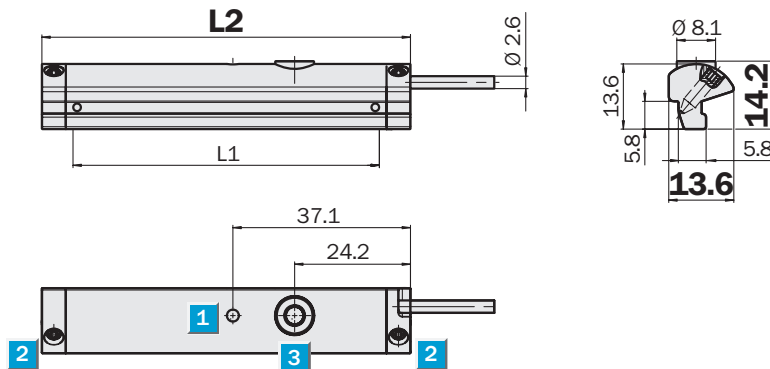


## MPS Magnetic Position Sensor



- Different measuring ranges up to 128 mm
- Electrical setting of measuring ranges (zero point/end point)
- Minimum blind zones
- Drop-in mounting of sensors is possible
- Extremely compact housing design
- Save mounting by two mounting screws

### Dimensional drawing

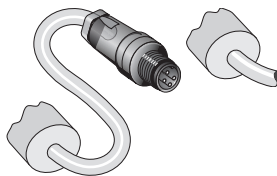


- 1 Status indicator
- 2 Mounting screw SW1.5
- 3 Teach button

| Measuring range<br>L1 [mm] | Total length<br>L2 [mm] |
|----------------------------|-------------------------|
| 32                         | 45                      |
| 64                         | 77                      |
| 96                         | 109                     |
| 128                        | 141                     |

### Connection types

|              |              |
|--------------|--------------|
| MPS-032TSTPO | MPS-032TSTUO |
| MPS-064TSTPO | MPS-064TSTUO |
| MPS-096TSTPO | MPS-096TSTUO |
| MPS-128TSTPO | MPS-128TSTUO |



| 4-pin, M8 | 2 m, PUR |
|-----------|----------|
|           |          |

| Technical data                       |                                      | MPS-        | 032<br>TSTPO | 032<br>TSTUO | 064<br>TSTPO | 064<br>TSTUO | 096<br>TSTPO | 096<br>TSTUO | 128<br>TSTPO | 128<br>TSTUO |  |  |
|--------------------------------------|--------------------------------------|-------------|--------------|--------------|--------------|--------------|--------------|--------------|--------------|--------------|--|--|
| <b>Measuring range ± 1 mm</b>        | 32 mm                                |             | ■            | ■            |              |              |              |              |              |              |  |  |
|                                      | 64 mm                                |             |              |              | ■            | ■            |              |              |              |              |  |  |
|                                      | 96 mm                                |             |              |              |              |              | ■            | ■            |              |              |  |  |
|                                      | 128 mm                               |             |              |              |              |              |              |              | ■            | ■            |  |  |
| <b>Electrical configuration</b>      | 4-wire DC                            |             |              |              |              |              |              |              |              |              |  |  |
| <b>Supply voltage V<sub>s</sub></b>  | 15 ... 30 V DC                       |             |              |              |              |              |              |              |              |              |  |  |
| Ripple                               | 10 %                                 |             |              |              |              |              |              |              |              |              |  |  |
| Sample time                          | 0.5 ms                               |             |              |              |              |              |              |              |              |              |  |  |
| Resolution typ.                      | 0.05 mm                              |             |              |              |              |              |              |              |              |              |  |  |
| Linearity typ.                       | 0.3 mm                               |             |              |              |              |              |              |              |              |              |  |  |
| Repeat accuracy typ.                 | 0.1 mm                               |             |              |              |              |              |              |              |              |              |  |  |
| Travel speed                         | Max. 3 m/s                           |             |              |              |              |              |              |              |              |              |  |  |
| Analogue output                      | Current                              | 4 ... 20 mA |              |              |              |              |              |              |              |              |  |  |
|                                      | Voltage                              | 0 ... 10 V  |              |              |              |              |              |              |              |              |  |  |
| <b>Overload protection</b>           | ✓                                    |             |              |              |              |              |              |              |              |              |  |  |
| <b>Short-circuit protection</b>      | ✓                                    |             |              |              |              |              |              |              |              |              |  |  |
| <b>Reverse polarity protection</b>   | ✓                                    |             |              |              |              |              |              |              |              |              |  |  |
| Max. load resistance, current output | 500 Ω                                |             |              |              |              |              |              |              |              |              |  |  |
| Min. load resistance, voltage input  | 2 kΩ                                 |             |              |              |              |              |              |              |              |              |  |  |
| Idle current typ.                    | 25 mA                                |             |              |              |              |              |              |              |              |              |  |  |
| EMC                                  | According to EN 60947-5-7            |             |              |              |              |              |              |              |              |              |  |  |
| <b>Connection type</b>               | Cable, PUR, 2 m                      |             |              | ■            |              | ■            |              | ■            |              | ■            |  |  |
|                                      | Cable with plug, M8 x 1, PUR, 300 mm |             | ■            |              | ■            |              | ■            |              | ■            |              |  |  |
| <b>Enclosure rating</b>              | IP 67                                |             |              |              |              |              |              |              |              |              |  |  |
| Shock/vibration stress               | 30 g, 11 ms/10 ... 55 Hz, 1 mm       |             |              |              |              |              |              |              |              |              |  |  |
| Ambient temperature                  | -20 ... +70 °C                       |             |              |              |              |              |              |              |              |              |  |  |
| <b>Housing material</b>              | PA reinforced                        |             |              |              |              |              |              |              |              |              |  |  |
| Display LED (Functionel display)     | Yellow                               |             |              |              |              |              |              |              |              |              |  |  |

| Order information |           |
|-------------------|-----------|
| Type              | Order no. |
| MPS-032TSTPO      | 1045666   |
| MPS-032TSTUO      | 1045667   |
| MPS-064TSTPO      | 1045668   |
| MPS-064TSTUO      | 1045669   |
| MPS-096TSTPO      | 1045670   |
| MPS-096TSTUO      | 1045671   |
| MPS-128TSTPO      | 1045672   |
| MPS-128TSTUO      | 1045673   |

**Great Britain**  
 Phone +44 (0)1727 83 11 21  
 E-Mail info@sick.co.uk

**USA**  
 Phone +1(952) 941-6780  
 tollfree+1-800-325-7425  
 E-Mail info@sickusa.com

**Australia**  
 Phone +61 3 9497 4100  
 tollfree+1800 33 48 02  
 E-Mail sales@sick.com.au

More representatives and agencies in all major industrial nations at [www.sick.com](http://www.sick.com)

**SICK**  
 Sensor Intelligence.