

Stainless Steel Cabinets Ex IGS



- + High-quality stainless steel enclosure system for use in hazardous areas
- + Available as a component (U approval) or as a fully certified device including the installation of terminals or electronic equipment
- + With window optional
- + With covered hinges and double ward lock

Included in delivery

Empty enclosure: Enclosure with hinged lid, double ward lock, silicone seal and external earth connection.

Junction box: depending on design with hinged lid, double ward lock, silicone seal, external earth, DIN rail, internal earth connection, terminals.

Technical datas

Explosion protection	II 2 G Ex eb IIC T6/T5/T4 Gb II 2 G Ex ia IIC T6/T5/T4 Gb II 2 G Ex db eb ia [ia] mb IIC T6/T5/T4 Gb II 3 G Ex eb db mb ia [ia Ga] nA nC [op is] IIC T6, T5, T4 Gc II 2 D Ex tb IIIC T85 °C/T100 °C/T135 °C Db IP66
Certificates	PTB 00 ATEX 1101U IECEX PTB 07.0059U EAC RU C-DE.AA87.B.00637
Material	Stainless steel 1.25 mm or 1.5 mm; 14301/304, 1.4404/316L on request
Ingress protection	IP66 to EN 60529
Surface	grinded, grain 240
Impact resistance	7 Joule to EN 60079-0
Ambient temperature range	-55 °C to +135 °C
Other execution on request	EMC



Stainless Steel Cabinets Ex IGS

Product overview

Ex e		Ex Empty		Ex i		Dimensions H x W x D (mm)	Weight (g)
Order no.	Product type	Order no.	Product type	Order no.	Product type		
35.00 22 09	IGSExe 35010	34.00 22 09	IGSExB 34010	36.00 22 09	IGSExi 36010	250 x 200 x 97	2350
35.00 22 15	IGSExe 35015	34.00 22 15	IGSExB 34015	36.00 22 15	IGSExi 36015	250 x 200 x 157	2880
35.00 32 09	IGSExe 35020	34.00 32 09	IGSExB 34020	36.00 32 09	IGSExi 36020	250 x 350 x 97	3490
35.00 33 16	IGSExe 35025	34.00 33 16	IGSExB 34025	36.00 33 16	IGSExi 36025	300 x 300 x 167	4360
35.00 44 16	IGSExe 35030	34.00 44 16	IGSExB 34030	36.00 44 16	IGSExi 36030	380 x 380 x 167	6080
35.00 44 21	IGSExe 35035	34.00 44 21	IGSExB 34035	36.00 44 21	IGSExi 36035	380 x 380 x 217	6820
35.00 53 16	IGSExe 35040	34.00 53 16	IGSExB 34040	36.00 53 16	IGSExi 36040	300 x 500 x 167	6350
35.00 63 16	IGSExe 35045	34.00 63 16	IGSExB 34045	36.00 63 16	IGSExi 36045	300 x 600 x 167	8750
35.00 64 21	IGSExe 35050	34.00 64 21	IGSExB 34050	36.00 64 21	IGSExi 36050	380 x 600 x 217	11420
35.00 99 99	IGSExe 35055	34.00 99 99	IGSExB 34055	36.00 99 99	IGSExi 36055	Special size on request	

Terminal mounting

	Phoenix Contact											
	TS 15	TS 15	TS 35	TS 35	TS 35	TS 35	TS 35	TS 35	TS 35	TS 35		
DIN rail	TS 15	TS 15	TS 35	TS 35	TS 35	TS 35	TS 35	TS 35	TS 35	TS 35		
Nominal cross section (mm ²)	2,5	4	2,5	4	6	10	16	35	50	95		
Voltage (V)	352	352	690	690	690	690	690	690	690	880		
Terminal width (mm)	5,2	6,2	5,2	6,2	8,2	10,2	12,2	16,2	20	25		
Terminal type												
Enclosure type	MUT 2,5	MUT 4	UT 2,5	UT 4	UT 6	UT 10	UT 16	UT 35	UKH 50	UKH 95		PE bar 1,5 to 6 mm ²
XX.00 22 09	58	48	58	48	36	28	12	9				
XX.00 22 15	58	48	58	48	36	28	12	9				
XX.00 32 09	116	96	116	96	72	29	24	18				
XX.00 33 16	80	80	80	80	60	48	40	15	12			
XX.00 44 16	189	159	189	159	120	96	81	40	17	13		18
XX.00 44 21	189	159	189	159	120	96	81	40	17	13		18
XX.00 53 16	172	144	172	144	110	88	74	27	26	18		24
XX.00 63 16	210	176	210	176	134	108	90	34	27	22		29
XX.00 64 21	315	264	315	264	201	162	135	68	27	22		29

Other suppliers on request

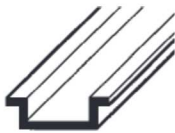
Stainless Steel Cabinets Ex IGS

Accessories

Order no.	DIN rails	Mounting plate
XX.00 22 09	•	•
XX.00 22 15	•	•
XX.00 32 09	•	•
XX.00 33 16	•	•
XX.00 44 16	•	•
XX.00 44 21	•	•
XX.00 53 16	•	•
XX.00 63 16	•	•
XX.00 64 21	•	•
XX.00 99 99		

Accessories

DIN rails



Order no.	Version
10.06 14 37	TS 35/7.5 for XX.00 22 09, XX.00 22 15
10.06 14 25	TS 35/7.5 for XX.00 32 09
10.06 14 36	TS 35/7.5 for XX.00 33 16
10.06 14 39	TS 35/7.5 for XX.00 44 16, XX.00 44 21
10.06 14 40	TS 35/7.5 for XX.00 53 16
10.06 14 42	TS 35/7.5 for XX.00 63 16

External mounting brackets



set = 4 pcs

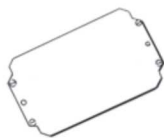
Order no.	
37.10 50 00	External mounting bracket
37.99 00 01	Mounting set



Stainless Steel Cabinets Ex IGS

Accessories

Mounting plate



Order no.	Version
10.01 10 66	for XX.00 22 09, XX.00 22 15
10.01 10 67	for XX.00 32 09
10.01 10 44	for XX.30 30 12, XX.30 30 16, XX.00 33 16
10.01 10 45	for XX.38 38 16, XX.00 44 16, XX.00 44 21
10.01 10 57	for XX.50 30 16, XX.00 53 16
10.01 10 68	for XX.00 63 16
10.01 10 69	for XX.00 64 21

PE bar

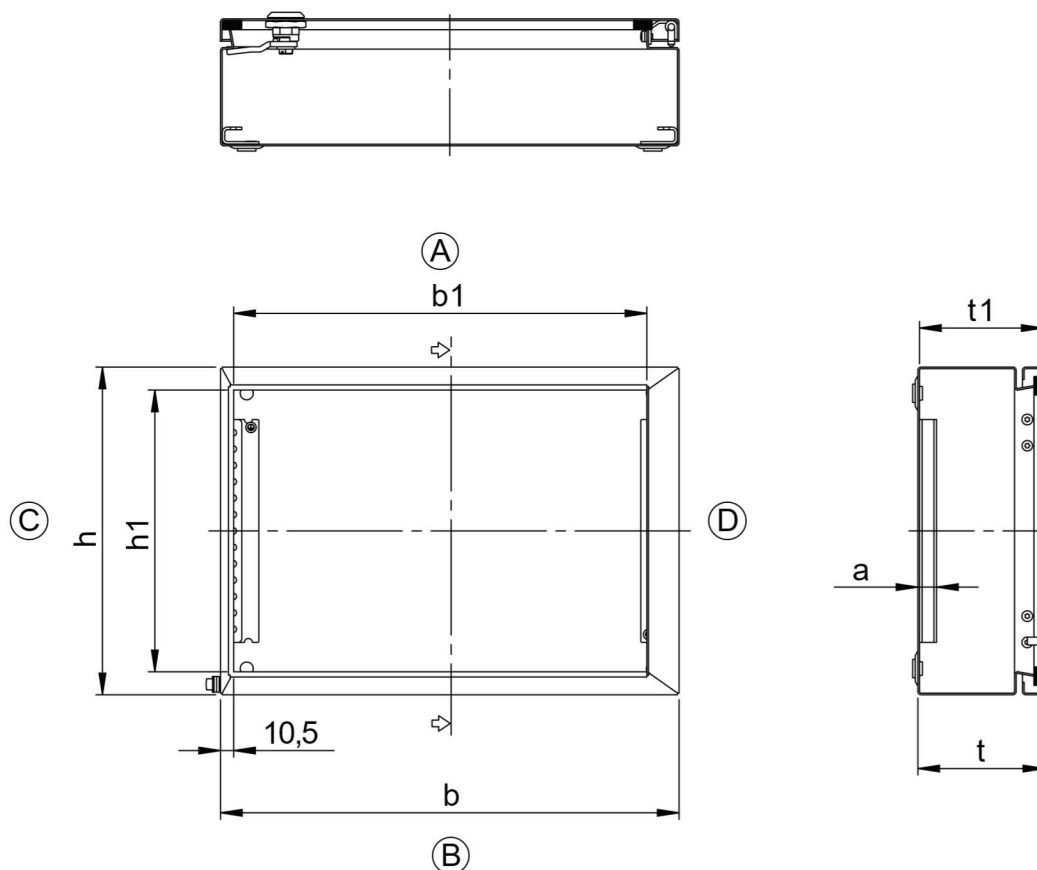


Order no.	Version
12.05 43 04	for XX.20 10 06, XX.20 20 08, XX.00 22 09, XX.00 22 15
12.05 43 25	for XX.00 32 09
12.05 43 07	for XX.30 15 08, XX.30 20 08, XX.30 20 12, XX.30 30 12, XX.30 30 16, XX.00 33 16
12.05 43 12	for XX.38 38 16, XX.00 44 16, XX.00 44 21
12.05 43 16	for XX.50 30 16, XX.50 40 16, XX.00 53 16
12.05 43 17	for XX.60 20 12, XX.00 63 16, XX.00 64 21

Stainless Steel Cabinets Ex IGS

Technical details

Order no.	b	h	t	b1	h1	t1	a
XX.00 22 09	200	250	97	197,5	247,5	94,5	13
XX.00 22 15	200	250	157	197,5	247,5	154,5	13
XX.00 32 09	350	250	97	347,5	247,5	94,5	13
XX.00 33 16	300	300	167	297,5	297,5	164,5	13
XX.00 44 16	380	380	167	377,5	377,5	164,5	13
XX.00 44 21	380	380	217	377,5	377,5	214,5	13
XX.00 53 16	500	300	167	497,5	297,5	164,5	13
XX.00 63 16	600	300	167	597	297	164	13
XX.00 64 21	600	380	217	597	377	214	13



For detailed drawings visit www.rose-systemtechnik.com

