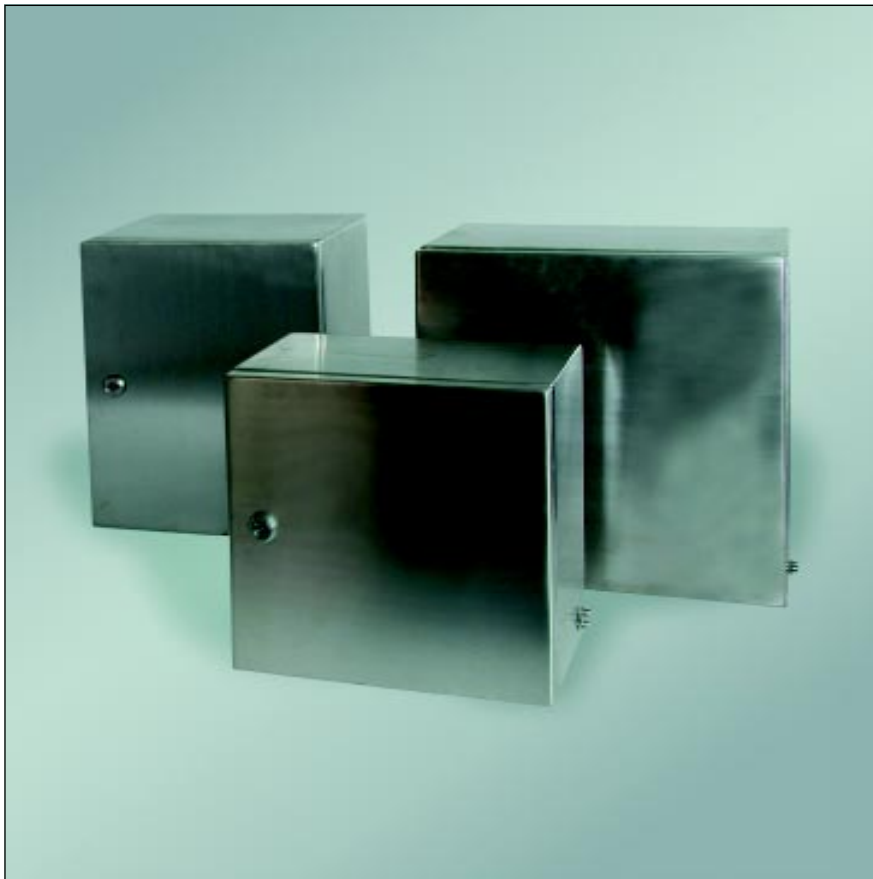




Further international Ex-Approvals on request



AUDIN

Composants & systèmes d'automatisme
7 bis rue de Tinquex - 51100 Reims - France
Tel. +33(0)326042021 • Fax +33(0)326042820
<http://www.audin.fr> • e-mail info@audin.fr

Technical Data

Explosion protection:

II 2 G / 2 D

EEx e II T6 (increased safety)

EEx ia IIC T6 (intrinsic safety)

EEx e(ia) IIC T6 (mixed fitting)

Temperature classes T5 and T4 on request

Certificates:

Empty enclosure with hinged lid:

PTB 00 ATEX 1101U

Terminal enclosure: PTB 00 ATEX 1052

Material:

Stainless steel 1.25 mm or 1.5 mm, 1.4301 / 304

Surface:

grinded, grain 240

Ingress protection:

IP 66, EN 60529

Impact resistance:

>7 Joule, EN 50014

Temperature range of application acc. EN:

-20° to +40°C

(corresponds T6 = 85°C surface temperature)

-20° to +55°C

(corresponds T5 = 100°C surface temperature)

-20° to +95°C

(corresponds T4 = 135°C surface temperature)

-55°C with special marking on request

- Empty enclosure with hinged lid with certification for individual fittings
- Stainless steel cabinets fitted with terminals for individual fittings with partial certification
- Stainless steel enclosure with covered hinges and double ward lock
- Optional flange cut out
- Special size on request
- Optional: Lid with window

Included in delivery

Empty enclosure:

Enclosure with hinged lid, double ward lock, silicone/PUR seal and external earth connection

Terminal enclosure:

Depending on version either with hinged lid, double ward lock, silicone/PUR seal, external earth connection, DIN rails, internal earthing connection, terminals, manufacturing, cable glands

Stainless steel IGS-Ex ATEX

Programme range

Ex e	Ex ia	empty cabinets	dimensions W x L x H
<i>35.00 22 09</i>	<i>36.00 22 09</i>	<i>34.00 22 09</i>	200 x 250 x 97 mm
<i>35.00 22 15</i>	<i>36.00 22 15</i>	<i>34.00 22 15</i>	200 x 250 x 157 mm
<i>35.00 33 16</i>	<i>36.00 33 16</i>	<i>34.00 33 16</i>	300 x 300 x 167 mm
<i>35.00 32 09</i>	<i>36.00 32 09</i>	<i>34.00 32 09</i>	350 x 250 x 97 mm
<i>35.00 44 16</i>	<i>36.00 44 16</i>	<i>34.00 44 16</i>	380 x 380 x 167 mm
<i>35.00 44 21</i>	<i>36.00 44 21</i>	<i>34.00 44 21</i>	380 x 380 x 217 mm
<i>35.00 53 16</i>	<i>36.00 53 16</i>	<i>34.00 53 16</i>	500 x 300 x 167 mm
<i>35.00 63 16</i>	<i>36.00 63 16</i>	<i>34.00 63 16</i>	600 x 300 x 167 mm
<i>35.00 64 21</i>	<i>36.00 64 21</i>	<i>34.00 64 21</i>	600 x 380 x 217 mm

Accessories

Type	DIN rail* TS35	PE bar	External mounting brackets	Mounting plate
<i>34/35/36.00 22 09</i>	•	•	•	•
<i>34/35/36.00 22 15</i>	•	•	•	•
<i>34/35/36.00 33 16</i>	•	•	•	•
<i>34/35/36.00 32 09</i>	•	•	•	•
<i>34/35/36.00 44 16</i>	•	•	•	•
<i>34/35/36.00 44 21</i>	•	•	•	•
<i>34/35/36.00 53 16</i>	•	•	•	•
<i>34/35/36.00 63 16</i>	•	•	•	•
<i>34/35/36.00 64 21</i>	•	•	•	•

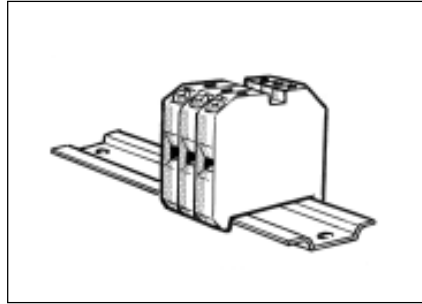
* TS 32 on request

External mounting brackets (set = 4 pcs.)	<i>37.10 50 00</i>
Mounting set (screws, gasket, nuts)	<i>37.00 99 99</i>

Accessories / Version



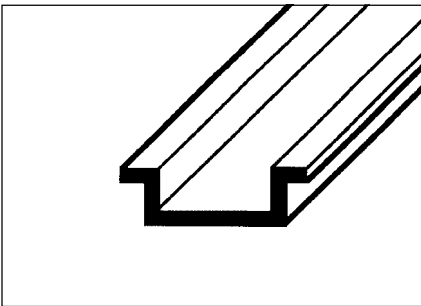
PE bar



PE terminal blocks



External mounting brackets



DIN rail

Type: **EEx e 35.00 22 09**

EEx ia 36.00 22 09

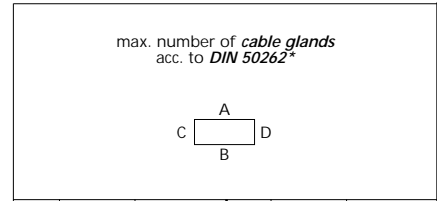
Ex empty enclosure **34.00 22 09**

Certification **ATEX**

External dimensions **200 x 250 x 97 mm**

Weight **2090 g**

DIN rail length in mm	max. fitting length in mm	PE bar max. number	External earth in mm ²	External mounting brackets	Hinge						
TS 35		8 x 6 mm ²									
190	152	1	35 mm ²	•	•						



Diameter of connection (mm ²)	1,5	2,5	4	6	10	16	25	35	50	70	95
max. number of terminals**	72	58	48	36	30	24	10	10			
max. number of DIN rails	2	2	2	2	2	2	1	1			
Number of internal cables in dependence to current/A	6										
	10	57									
	16	19	38	147							
	20	8	22	42							
	25		10	24	46						
	35			7	18	45					
	50				2	14	37				
	63					5	17	61			
	80						6	19	69		
	100							8	18		
	125								7		
	160										
	200										
	225										
	250										
	315										
400											
500											

M	Cross-corner dim.	Side		PG	Cross-corner dim.	Side	
		A/B	C/D			A/B	C/D
12	17,25	38	36	7	17,25	38	36
16	25,30	20	17	9	21,85	24	20
20	27,60	12	8	11	25,30	20	17
25	37,95	5	6	13,5	27,60	12	8
32	48,30	3		16	31,05	10	7
40	60,95	3		21	37,95	5	6
50	69,00			29	48,30	3	
63	74,75			36	60,95	3	
				42	69,00		
				48	74,75		

Number or internal cables/2 = number of terminals
 * not for armoured cables
 ** Base: Terminal block Phoenix Contact, further see page 98

Type: **EEx e 35.00 22 15**

EEx ia 36.00 22 15

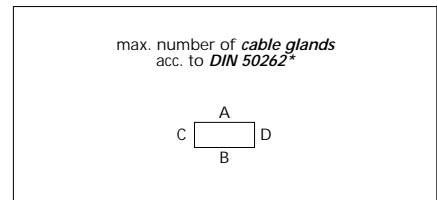
Ex empty enclosure **34.00 22 15**

Certification **ATEX**

External dimensions **200 x 250 x 157 mm**

Weight **2620 g**

DIN rail length in mm	max. fitting length in mm	PE bar max. number	External earth in mm ²	External mounting brackets	Hinge						
TS 35		8 x 6 mm ²									
190	152	1	35 mm ²	•	•						



Diameter of connection (mm ²)	1,5	2,5	4	6	10	16	25	35	50	70	95
max. number of terminals**	72	58	46	36	30	24	10	10			
max. number of DIN rails	2	2	2	2	2	2	1	1			
Number of internal cables in dependence to current/A	6										
	10	74									
	16	25	49	191							
	20	10	28	55							
	25		13	31	60						
	35			9	23	58					
	50				3	19	48				
	63					6	22	80			
	80						8	25	89		
	100							10	23		
	125								9		
	160										
	200										
	225										
	250										
	315										
400											
500											

M	Cross-corner dim.	Side		PG	Cross-corner dim.	Side	
		A/B	C/D			A/B	C/D
12	17,25	76	75	7	17,25	76	75
16	25,30	35	36	9	21,85	40	38
20	27,60	30	30	11	25,30	35	36
25	37,95	12	15	13,5	27,60	30	30
32	48,30	8	8	16	31,05	20	22
40	60,95	6	5	21	37,95	12	15
50	69,00	3	3	29	48,30	8	8
63	74,75	3	3	36	60,95	6	5
				42	69,00	3	3
				48	74,75	3	3

Number or internal cables/2 = number of terminals
 * not for armoured cables
 ** Base: Terminal block Phoenix Contact, further see page 98

Type: **EEx e 35.00 32 09**

EEx ia 36.00 32 09

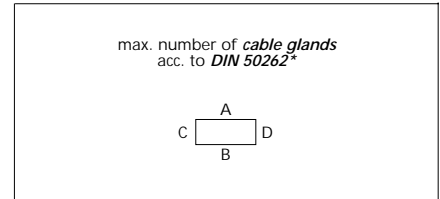
Ex empty enclosure **34.00 32 09**

Certification **ATEX**

External dimensions **350 x 250 x 97 mm**

Weight **3150 g**

DIN rail length in mm	max. fitting length in mm	PE bar max. number	External earth in mm ²	External mounting brackets	Hinge						
TS 35		16 x 6 mm ²									
340	302	1	70 mm ²	•	•						



Diameter of connection (mm ²)	1,5	2,5	4	6	10	16	25	35	50	70	95	
max. number of terminals**	144	116	96	72	60	48	20	20				
max. number of DIN rails	2	2	2	2	2	2	2	2				
Number of internal cables in dependence to current/A	6											
	10	66										
	16	22	44	171								
	20	9	25	49								
	25		12	28	54							
	35			8	21	52						
	50				3	17	43					
	63					5	20	72				
	80						7	22	80			
	100							9	21			
	125								8	21		
	160									7	19	
	200										6	
	225											2
	250											
	315											
400												
500												

M	Cross-corner dim.	Side		PG	Cross-corner dim.	Side	
		A/B	C/D			A/B	C/D
12	17,25	74	36	7	17,25	74	36
16	25,30	24	17	9	21,85	45	20
20	27,60	24	8	11	25,30	24	17
25	37,95	11	6	13,5	27,60	24	8
32	48,30	7		16	31,05	20	7
40	60,95	5		21	37,95	11	6
50	69,00			29	48,30	7	
63	74,75			36	60,95	5	
				42	69,00		
				48	74,75		

Number of internal cables/2 = number of terminals
 * not for armoured cables
 ** Base: Terminal block Phoenix Contact, further see page 98

Type: **EEx e 35.00 33 16**

EEx ia 36.00 33 16

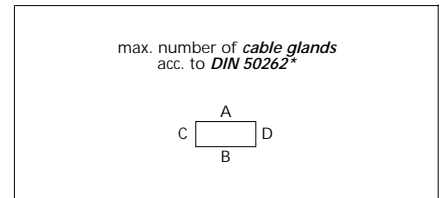
Ex empty enclosure **34.00 33 16**

Certification **ATEX**

External dimensions **300 x 300 x 167 mm**

Weight **4020 g**

DIN rail length in mm	max. fitting length in mm	PE bar max. number	External earth in mm ²	External mounting brackets	Hinge						
TS 35		13 x 6 mm ²									
290	252	1	50 mm ²	•	•						



Diameter of connection (mm ²)	1,5	2,5	4	6	10	16	25	35	50	70	95
max. number of terminals**	120	96	80	60	48	40	32	32	12		
max. number of DIN rails	2	2	2	2	2	2	2	2	1		
Number of internal cables in dependence to current/A	6										
	10	88									
	16	30	58	228							
	20	12	34	66							
	25		16	37	72						
	35			11	28	70					
	50				4	23	58				
	63					7	27	96			
	80						10	30	107		
	100							13	28		
	125								11	28	
	160									10	
	200										
	225										
	250										
	315										
400											
500											

M	Cross-corner dim.	Side		PG	Cross-corner dim.	Side	
		A/B	C/D			A/B	C/D
12	17,25	110	88	7	17,25	110	88
16	25,30	55	52	9	21,85	72	60
20	27,60	48	38	11	25,30	55	52
25	37,95	23	21	13,5	27,60	48	38
32	48,30	15	11	16	31,05	33	26
40	60,95	8	8	21	37,95	23	21
50	69,00	7	5	29	48,30	15	11
63	74,75	5	4	36	60,95	8	8
				42	69,00	7	5
				48	74,75	5	4

Number of internal cables/2 = number of terminals
 * not for armoured cables
 ** Base: Terminal block Phoenix Contact, further see page 98

Type: **EEx e 35.00 44 16**

EEx ia 36.00 44 16

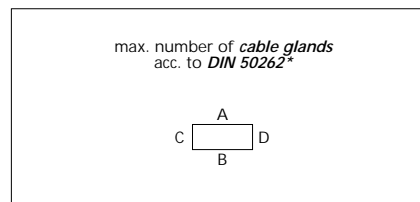
Ex empty enclosure **34.00 44 16**

Certification **ATEX**

External dimensions **380 x 380 x 167 mm**

Weight **5650 g**

DIN rail length in mm	max. fitting length in mm	PE bar max. number	External earth in mm ²	External mounting brackets	Hinge					
TS 35		36 x 6 mm ²								
370	332	2	70 mm ²	•	•					



Diameter of connection (mm ²)	1,5	2,5	4	6	10	16	25	35	50	70	95	
	max. number of terminals**	237	189	159	120	96	81	42	42	32		
max. number of DIN rails	3	3	3	3	3	3	2	2	2			
Number of internal cables in dependence to current/A	6											
	10	100										
	16	34	66	257								
	20	14	38	74								
	25		18	42	81							
	35			12	32	79						
	50				4	26	65					
	63					8	30	108				
	80						11	34	121			
	100							14	32			
	125								13	32		
	160									11	28	
	200										10	
	225											3
	250											
	315											
400												
500												

M	Cross-corner dim.	Side		PG	Cross-corner dim.	Side	
		A/B	C/D			A/B	C/D
12	17,25	160	140	7	17,25	160	140
16	25,30	70	56	9	21,85	96	80
20	27,60	60	48	11	25,30	70	56
25	37,95	27	27	13,5	27,60	60	48
32	48,30	21	14	16	31,05	44	44
40	60,95	12	10	21	37,95	27	27
50	69,00	9	6	29	48,30	21	14
63	74,75	7	5	36	60,95	12	10
				42	69,00	9	6
				48	74,75	7	5

Number or internal cables/2 = number of terminals
 * not for armoured cables
 ** Base: Terminal block Phoenix Contact, further see page 98

Type: **EEx e 35.00 44 21**

EEx ia 36.00 44 21

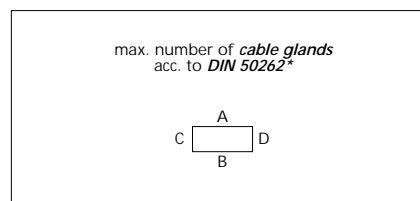
Ex empty enclosure **34.00 44 21**

Certification **ATEX**

External dimensions **380 x 380 x 217 mm**

Weight **6400 g**

DIN rail length in mm	max. fitting length in mm	PE bar max. number	External earth in mm ²	External mounting brackets	Hinge					
TS 35		36 x 6 mm ²								
370	332	2	70 mm ²	•	•					



Diameter of connection (mm ²)	1,5	2,5	4	6	10	16	25	35	50	70	95	
	max. number of terminals**	237	189	159	120	96	81	42	42	32		
max. number of DIN rails	3	3	3	3	3	3	2	2	2			
Number of internal cables in dependence to current/A	6											
	10	107										
	16	36	71	276								
	20	15	41	80								
	25		19	45	87							
	35			13	34	85						
	50				5	27	70					
	63					9	32	116				
	80						12	36	130			
	100							15	34			
	125								13	34		
	160									12	30	
	200										11	
	225											4
	250											
	315											
400												
500												

M	Cross-corner dim.	Side		PG	Cross-corner dim.	Side	
		A/B	C/D			A/B	C/D
12	17,25	220	200	7	17,25	220	200
16	25,30	98	84	9	21,85	144	128
20	27,60	84	72	11	25,30	98	84
25	37,95	45	36	13,5	27,60	84	72
32	48,30	28	21	16	31,05	66	55
40	60,95	18	14	21	37,95	45	36
50	69,00	12	9	29	48,30	28	21
63	74,75	9	8	36	60,95	18	14
				42	69,00	12	9
				48	74,75	9	8

Number or internal cables/2 = number of terminals
 * not for armoured cables
 ** Base: Terminal block Phoenix Contact, further see page 98

Certification **ATEX**

External dimensions **500 x 300 x 167 mm**

Weight **5900 g**

DIN rail length in mm	max. fitting length in mm	PE bar max. number	External earth in mm ²	External mounting brackets	Hinge									
TS 35		24 x 6 mm ²												
490	452	1	240 mm ²	•	•									

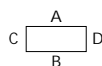
Diameter of connection (mm ²)	1,5	2,5	4	6	10	16	25	35	50	70	95	120	150	185	240
max. number of terminals**	214	174	144	110	88	74	58	58	22						
max. number of DIN rails	2	2	2	2	2	2	2	2	1						
Number of internal cables in dependence to current/A	6														
	10	96													
	16	33	64	248											
	20	13	37	72											
	25		17	41	78										
	35			12	30	76									
	50				4	25	63								
	63					8	29	104							
	80						11	32	116						
	100							14	30						
	125								12	31					
	160									10	27				
	200										10	23	73		
	225										3	13	28		
	250											7	17	36	
	315												3	10	22
400														4	15
500															2

Number of internal cables/2 = number of terminals

* not for armoured cables

** Base: Terminal block Phoenix Contact, further see page 98

max. number of *cable glands* acc. to *DIN 50262**



M	Cross-corner dim.	Side		PG	Cross-corner dim.	Side	
		A/B	C/D			A/B	C/D
12	17,25	216	88	7	17,25	216	88
16	25,30	92	52	9	21,85	147	60
20	27,60	85	38	11	25,30	92	52
25	37,95	36	21	13,5	27,60	85	38
32	48,30	26	11	16	31,05	60	26
40	60,95	14	8	21	37,95	36	21
50	69,00	12	5	29	48,30	26	11
63	74,75	9	4	36	60,95	14	8
				42	69,00	12	5
				48	74,75	9	4

Certification **ATEX**

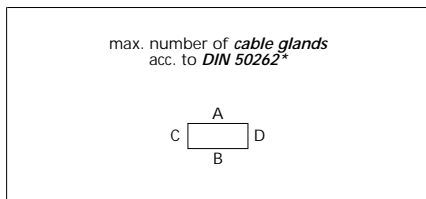
External dimensions **600 x 300 x 167 mm**

Weight **8180 g**

DIN rail length in mm	max. fitting length in mm	PE bar max. number	External earth in mm ²	External mounting brackets	Hinge									
TS 35		29 x 6 mm ²												
590	551,5	1	240 mm ²	•	•									

Diameter of connection (mm ²)	1,5	2,5	4	6	10	16	25	35	50	70	95	120	150	185	240
max. number of terminals**	262	212	178	134	108	90	72	72	27						
max. number of DIN rails	2	2	2	2	2	2	2	2	1						
Number of internal cables in dependence to current/A	6														
	10	97													
	16	33	64	251											
	20	14	38	73											
	25		18	41	79										
	35			12	31	77									
	50				4	25	64								
	63					8	29	105							
	80						11	33	118						
	100							14	31						
	125								12	31					
	160									11	28				
	200										10	24	74		
	225											3	14	29	
	250												7	17	37
	315													3	10
400														5	15
500															2

Number of internal cables/2 = number of terminals
 * not for armoured cables
 ** Base: Terminal block Phoenix Contact, further see page 98



M	Cross-corner dim.	Side		PG	Cross-corner dim.	Side	
		A/B	C/D			A/B	C/D
12	17,25	231	88	7	17,25	231	88
16	25,30	115	52	9	21,85	156	60
20	27,60	100	38	11	25,30	115	52
25	37,95	45	21	13,5	27,60	100	38
32	48,30	33	11	16	31,05	72	26
40	60,95	17	8	21	37,95	45	21
50	69,00	16	5	29	48,30	33	11
63	74,75	11	4	36	60,95	17	8
				42	69,00	16	5
				48	74,75	11	4

Certification **ATEX**

External dimensions **600 x 380 x 217 mm**

Weight **10800 g**

DIN rail length in mm	max. fitting length in mm	PE bar max. number	External earth in mm ²	External mounting brackets	Hinge									
TS 35		58 x 6 mm ²												
590	551,5	2	240 mm ²	•	•									

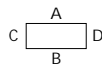
Diameter of connection (mm ²)	1,5	2,5	4	6	10	16	25	35	50	70	95	120	150	185	240	
max. number of terminals**	393	318	267	201	162	135	72	72	54	22	22					
max. number of DIN rails	3	3	3	3	3	3	2	2	2	2	2					
Number of internal cables in dependence to current/A	6															
	10	123														
	16	42	82	318												
	20	17	48	92												
	25		22	52	100											
	35			15	39	98										
	50				5	32	81									
	63					10	37	133								
	80						14	42	149							
	100							18	39							
	125								16	40						
	160									13	35					
	200										12	30	94			
	225											4	17	37		
	250												9	22	47	
	315													4	13	28
400															6	19
500																2

Number or internal cables/2 = number of terminals

* not for armoured cables

** Base: Terminal block Phoenix Contact, further see page 98

max. number of *cable glands*
acc. to *DIN 50262**



M	Cross-corner dim.	Side		PG	Cross-corner dim.	Side	
		A/B	C/D			A/B	C/D
12	17,25	330	200	7	17,25	330	200
16	25,30	176	84	9	21,85	208	128
20	27,60	140	72	11	25,30	176	84
25	37,95	75	36	13,5	27,60	140	72
32	48,30	44	21	16	31,05	108	55
40	60,95	27	14	21	37,95	75	36
50	69,00	20	9	29	48,30	44	21
63	74,75	15	8	36	60,95	27	14
				42	69,00	20	9
				48	74,75	15	8

Dimensions

Type	Ex e	Ex ia	empty enclosure	Dimensions (mm)								height	
				length				width				H _U	H _{Ges}
				A	B	C	E	F	I	G	S		
35.00 22 09	36.00 22 09	34.00 22 09	34.00 22 09	200	250	160	181	210	170	25	1,25	75	97
35.00 22 15	36.00 22 15	34.00 22 15	34.00 22 15	500	250	460	481	210	170	25	1,25	75	157
35.00 32 09	36.00 32 09	34.00 32 09	34.00 32 09	350	250	310	331	210	170	25	1,25	75	97
35.00 33 16	36.00 33 16	34.00 33 16	34.00 33 16	300	300	260	281	260	220	25	1,25	145	167
35.00 44 16	36.00 44 16	34.00 44 16	34.00 44 16	380	380	340	361	340	300	25	1,25	145	167
35.00 44 21	36.00 44 21	34.00 44 21	34.00 44 21	380	380	340	361	340	300	25	1,25	195	217
35.00 53 16	36.00 53 16	34.00 53 16	34.00 53 16	500	300	460	481	260	220	25	1,25	145	167
35.00 63 16	36.00 63 16	34.00 63 16	34.00 63 16	600	300	560	580	260	220	25	1,5	145	167
35.00 64 21	36.00 64 21	34.00 64 21	34.00 64 21	600	380	560	580	340	300	25	1,5	195	217

