

DA50A

1-Sled Scalable IIoT Gateway

▲ FLEXEDGE™ Intelligent Edge Automation Platform

CLOUD, EDGE, WIRED, OR WIRELESS, DESIGN YOUR IDEAL INDUSTRY 4.0 OR IIOT APPLICATION WITH EASE.

- ▲ Modular architecture allows for easy addition of communication capabilities including cellular, Wi-Fi, serial and USB
- ▲ Advanced networking support offers routing, NAT, firewall, and VPN support to ensure data security
- ▲ On-board I/O with configurable AI/DI and DO to monitor and control local sensors
- ▲ Field upgradeable software to enhance capability of gateway if application changes
- ▲ Supports up to 10 simultaneous protocol conversions between over 300 industrial drivers (optional)
- ▲ Real-time data logging to microSD card or via FTP (optional)
- ▲ Industrial construction for reliable operation
- ▲ Intuitive LED status ring



▲ Ordering Guide

MAIN UNIT

MODEL NUMBER	DESCRIPTION	SW GROUP
DA50A0BNN0000010	FlexEdge 1-Sled Mixed Serial Networking Gateway	Group 1
DA50A0BNN0000020	FlexEdge 1-Sled Mixed Serial Protocol Gateway	Group 2
DA50A0BNN0000030	FlexEdge 1-Sled Mixed Serial Adv IIoT Gateway	Group 3
DA50A0BNN0000040	FlexEdge 1-Sled Mixed Serial Adv Automation Controller	Group 4

ACCESSORIES

MODEL NUMBER	DESCRIPTION
DAS00CL9C4SAM000	4G LTE (CAT4) Cellular Sled for AMER (AT&T, Generic)
DAS00CL9C1SAZ000	4G LTE (CAT1) Cellular Sled for AUS (Telstra)
DAS00CL9C4SVZ000	4G LTE (CAT4) Cellular Sled for AMER (Verizon)
DAS00CL9C4SEU000	4G LTE (CAT4) Cellular Sled for EMEA, SAARC, APAC
DAS00WF10N0AM000	802.11n Wi-Fi Sled
DAS00PN40U400000	1 Port USB 2.0 Host Sled
DAS00PN2221IS000	Dual RS232 Ports Sled (Isolated)
DAS00PN2442IS000	Dual RS485 Ports Sled (Isolated)
DAS00PN2245IS000	Mixed RS232/RS485 Ports Sled (Isolated)

See software manual for details on sled operation.

▲ DA50A Ordering Guide Cont. and Specifications

SOFTWARE GROUPS

	GROUP 1 NETWORKING	GROUP 2 PROTOCOL	GROUP 3 ADV IIOT	GROUP 4 CONTROLLER
CONFIGURATION				
Web GUI	Y	Y	Y	Y
Crimson	Y	Y	Y	Y
NETWORKING				
Firewall	Y	Y	Y	Y
RADIUS Auth.	Y	Y	Y	Y
Routing	Y	Y	Y	Y
NAT	Y	Y	Y	Y
IP Fallback	Y	Y	Y	Y
VPN Client/Server	Y	Y	Y	Y
AUTOMATION				
300+ Drivers		Y	Y	Y
IIoT Connectors		Y	Y	Y
OPC UA		Y	Y	Y
SQL Sync			Y	Y
Data Logging			Y	Y
Virtual HMI			Y	Y
Advanced Web Server			Y	Y
IEC CONTROL				
Crimson Control				Y

▲ Specifications

Power Requirements

Supply Voltage: 12-24 VDC +/-15%, Class 2 source

INPUT VOLTAGE	12 V	24 V
Typ. Power DA50A Gateway Only	2.5 W	2.6 W
Max Power DA50A Gateway Only	3.0 W	3.1 W
Max Power DA50A Gateway, with Sled	5.6 W	5.7 W

Battery

3 V Lithium coin cell.

Memory

On Board User Memory: 1 GB of non-volatile Flash memory.
Memory Card: microSD slot accepts Class 5 or better microSD cards up to 256 GB capacity. FAT32, industrial grade.

Communication Properties

USB Device Port: One (1) Isolated USB Type B Port Complies with USB Specification 2.0 (Full Speed)

Ethernet Ports: Two (2) 10BaseT / 100BaseTX RJ45 ports (1500 Vrms Network Isolation)

Serial Ports: Two Serial Ports with Individual Port Isolation

One (1) RS232 Serial RJ12 115200 Bps

One (1) RS485/RS422 Serial RJ45 115200 Bps

Digital Output (DOUT)

Configuration: Open Collector, reference to ground

Absolute Maximum IDC: 500 mADC (Vce = 750 mVDC)

Absolute Maximum VDC: 30 VDC (open circuit)

Absolute Minimum VDC: -0.4 VDC (open circuit)

Digital Input (DIN)

Configuration: Unisolated level detection, reference to ground

Active level: 2.5 VDC to 30 VDC

Inactive level: 0 VDC to 1.3 VDC

Absolute Minimum VDC: -0.3 VDC

Absolute Maximum VDC: 33 VDC

Leakage IDC at 5 VDC: 150 µADC

▲ DA50A Specifications Cont. and Dimensions

Analog Input (Shared with Digital Input)

Configuration: Unisolated input, reference to ground
Resolution: 4096 (ADC 12-bit)
VDC per step: 9.483 mVDC (full scale level: 38.8 V)
Accuracy: 2%
Zero level: 0 VDC
Absolute Minimum VDC: -0.3 VDC
Absolute Maximum VDC: 33 VDC
Leakage IDC at 5 VDC: 265.96 μ ADC typical

Networking Capabilities

Tunneling: IPsec, GRE and Open VPN
IP: NAT, port forwarding, dynamic DNS, DHCP Stateful inspection
firewall, IP fallback and IP transparency
Routing Protocols: VRRP Encapsulation Protocols

Environmental

Operating Temperature: -40 to 75 °C
Storage Temperature: -40 to 85 °C
Operating and Storage Humidity: 0 to 85% max. RH
noncondensing
Vibration to IEC 60068-2-6: Operational 5-500 Hz, 2 g
Shock to IEC 60068-2-27: Operational 15 g
Altitude: Up to 2000 meters
Installation Category II, Pollution Degree 2 as defined in IEC/EN
60664-1.

Certification & Compliance

CE Approved
EN 61326-1 Immunity to Industrial Locations

Emission CISPR 11 Class A
IEC/EN 61010-1
RoHS Compliant
ATEX Approved
Ⓜ II 3 G Ex ec IIC T4 Gc
DEMKO 20 ATEX 2268X
IECEx Approved
IECEx UL 20.0007X
UL Hazardous: File # E317425
Rugged IP30 enclosure

Connections

Wire Strip Length: 0.3" (7.5 mm)
Wire Gauge Capacity: 12 to 24 AWG (3.31 to 0.20 mm²) copper
wire only

Construction

Polycarbonate enclosure with IP30 rating.
Weight: 13 oz (404.3 g)

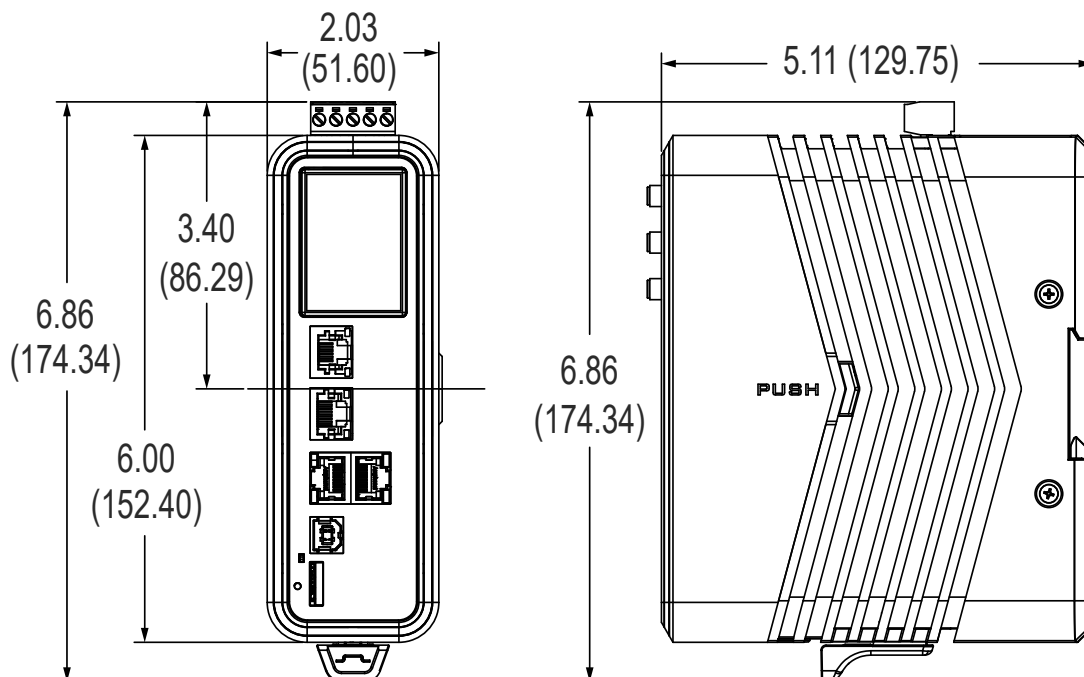
Mounting

DIN Rail: Attaches to standard "T" profile DIN rail according to
EN50022 - 35 x 7.5 and 35 x 15

Warranty

3 years on design and manufacturing defects.
Specifications are subject to change.
Visit www.redlion.net for more information.

▲ Dimensions in inches (mm)





Red Lion has been delivering innovative solutions to global markets since 1972 through communication, monitoring and control for industrial automation and networking - enabling companies worldwide to gain real-time data visibility that drives productivity. Red Lion is part of Spectris plc, the productivity enhancing instrumentation and controls company.

© 2020 Red Lion Controls, Inc. All rights reserved. Red Lion and the Red Lion logo, are registered trademarks of Red Lion Controls, Inc. All other company and product names are trademarks of their respective owners.

www.redlion.net
[contact us](#)