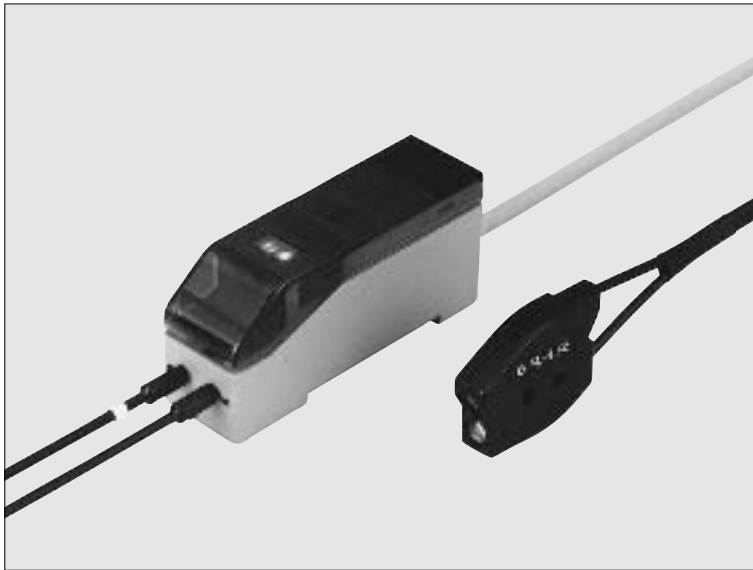


FZ-10 SERIES

Color Detection Fiber Sensor

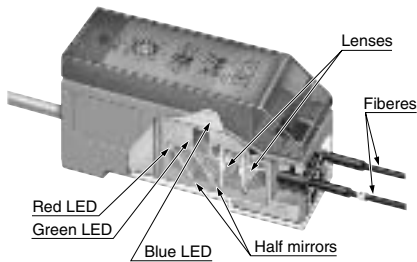


**Reliable and Precise
Color Discrimination**

CE Marked
Conforming to EMC Directive

Red, Green and Blue LEDs

FZ-10 incorporates red, green and blue LEDs as its beam sources, which promise longer lifetime and greater immunity against extraneous light than fluorescent lamps and are also maintenance free.

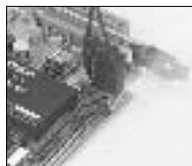


Excellent Color Detectability

Each of the red, green and blue components is digitally processed so that precise color discrimination is possible. FZ-10 can discriminate between white and yellow or distinguish if a surface is plated or not, that could never be possible with conventional fiber sensors which were based on detection of light intensity.



Yellow article is reliably identified.



Dully gold-plated surface is reliably detected.

Easy Set Up

Just pressing a button recognizes the reference color you want to detect as the criterion. There are two methods to set the criterion, manual teaching and auto-teaching. The tolerance adjuster also allows you to set the tolerance of color equivalence in 16 grades.

■ Criterion

Manual teaching

Place a workpiece bearing the reference color under the fiber head and press the teaching button.

Place a workpiece, and press the button.

Auto-teaching

Keep pressing the teaching button until a workpiece bearing the reference color travels past the fiber head.

Press the button, and feed a workpiece.

■ Tolerance adjustment

Precise judgment

Tolerance adjuster

Turn the adjuster clockwise. The closer it is to 'FINE', finer is the set tolerance.

Narrow tolerance

Reference color
(Criterion)

Rough judgment

Tolerance adjuster

Turn the adjuster counterclockwise. The closer it is to the '▲' mark, coarser is the set tolerance.

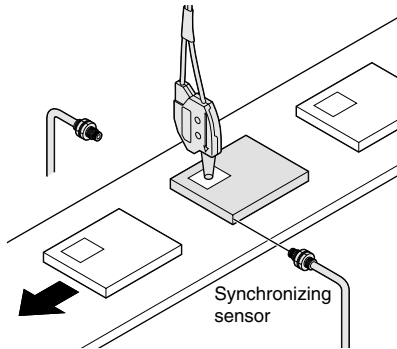
Wide tolerance

FZ-10

APPLICATIONS

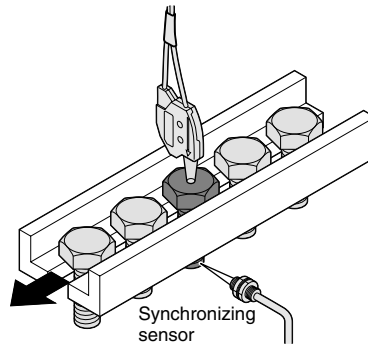
Detecting labels on different colored objects

Even if objects are differently colored, **FZ-10** reliably detects the same color label.



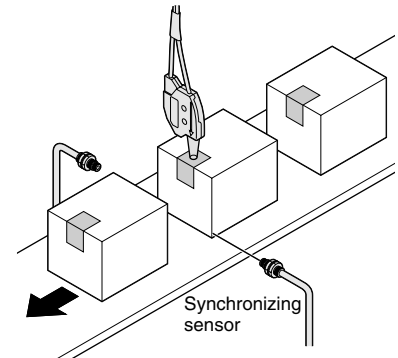
Evaluating if objects are plated or not (Note 1)

Its precise color resolution discriminates a bare metal surface from a plated metal surface.



Detecting seals on boxes

It can reliably detect the presence of a seal on every package in the pharmaceutical, cosmetic, food, tobacco, and software industries.

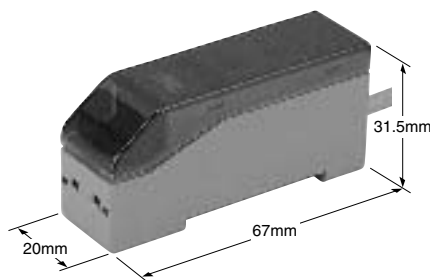


- Notes: 1) **FD-L52** fiber head (high precision type) or **FD-L53** fiber head (extremely small spot type) is recommended for applications in which specular objects, having a high reflective index are to be detected, e.g., evaluating if metal objects are plated or not.
FD-L54 fiber head (long sensing range type) is recommended for applications where the object wavers on the assembly line.
 2) **FZ-10** may not be able to detect color depending on object shape, color, glossiness, etc. Please test before actual use and contact our office if you have any questions.

Miniature & Space-effective

The amplifier is only $W20 \times H31.5 \times D67$ mm in size and the fiber head is just 7mm, 8mm or 12mm thick, so that it is mountable in a tight space.

Amplifier

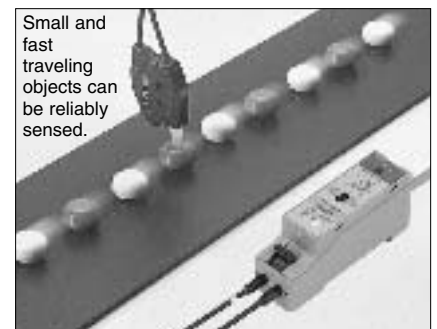


Four Types of Fibers Are Available

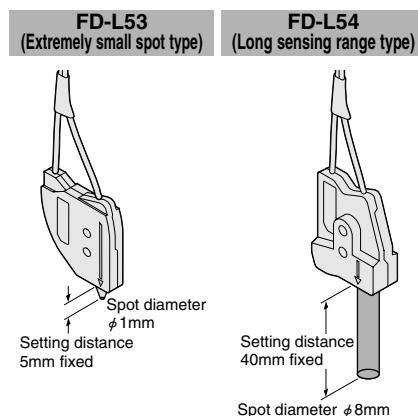
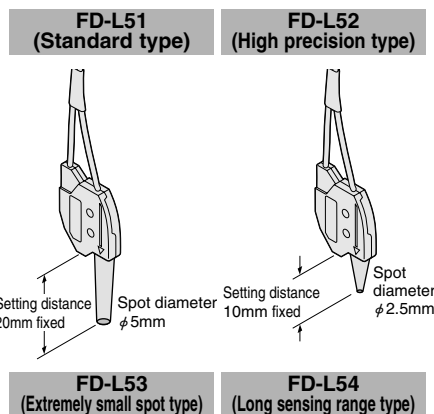
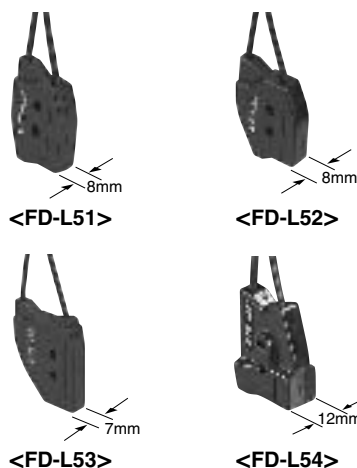
The fiber can be selected according to the application and object size. The color of even a small object can be reliably detected.

High-speed Response Time: 1ms

Small traveling objects can be sensed even on a high-speed production line, due to its response time of 1ms.



Fibers




FD-L52 fiber head (high precision type) or **FD-L53** fiber head (extremely small spot type) is recommended for applications in which specular objects, having a high reflective index are to be detected, e.g., evaluating if metal objects are plated or not.
FD-L54 fiber head (long sensing range type) is recommended for applications where the object wavers on the assembly line.

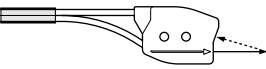
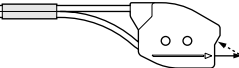


FZ-10

ORDER GUIDE

Amplifiers

Type	Appearance	Model No.	Emitting element	Output
NPN output type		FZ-11	Red LED Green LED Blue LED	NPN open-collector transistor
PNP output type		FZ-11P		PNP open-collector transistor

Fibers

Type	Appearance	Setting distance	Spot diameter	Fiber cable length	Model No.
Standard		20mm (fixed)	φ5mm (at the setting distance)	1m	FD-L51
High precision		10mm (fixed)	φ2.5mm (at the setting distance)	1m	FD-L52
Extremely small spot		5mm (fixed)	φ1mm (at the setting distance)	1m	FD-L53
Long sensing range		40mm (fixed)	φ8mm (at the setting distance)	1m	FD-L54

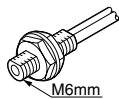
Reference

Threaded head fiber

Color discrimination is also possible with **FD-B8/FM2/G4** (standard fiber for the **FX-D1/A1/M1** series) in combination with the **FZ-10** series amplifier. As a standard fiber has a small head and is free-cut type, allowing you to cut the desired fiber cable length, it can be mounted in a narrow space.

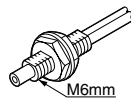
FD-B8

Setting distance: 8mm (fixed)



FD-FM2

Setting distance: 5mm (fixed)



FD-G4

Setting distance: 4mm (fixed)

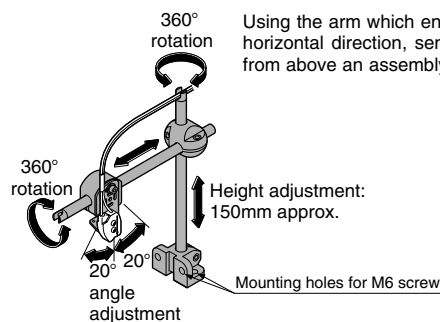


Caution: They cannot be used in an application which needs precision sensing.

OPTION

Designation	Model No.	Description
Universal sensor mounting stand (Note)	MS-AJ-F	Mounting stand assembly for fiber

Universal sensor mounting stand



Using the arm which enables adjustment in the horizontal direction, sensing can also be done from above an assembly line.

SPECIFICATIONS**Amplifiers**

Item	Type	NPN output	PNP output
	Model No.	FZ-11	FZ-11P
Applicable fibers	FD-L51, FD-L52, FD-L53, FD-L54		
Supply voltage	12 to 24V DC \pm 10% Ripple P-P 10% or less		
Current consumption	45mA or less		
Sensing object	Opaque or translucent object larger than the spot diameter of the applicable fiber		
Output	NPN open-collector transistor <ul style="list-style-type: none"> • Maximum sink current: 100mA • Applied voltage: 30V DC or less (between output and 0V) • Residual voltage: 1V or less (at 100mA sink current) 0.4V or less (at 16mA sink current) 		PNP open-collector transistor <ul style="list-style-type: none"> • Maximum source current: 100mA • Applied voltage: 30V DC or less (between output and + V) • Residual voltage: 1V or less (at 100mA source current) 0.4V or less (at 16mA source current)
	Utilization category	DC-12 or DC-13	
	Output operation	Switchable either Coincident-ON or Incoincident-ON	
	Short-circuit protection	Incorporated	
Response time	1ms or less (3ms or less when auto-teaching has been engaged)		
Indicators	Power indicator: Green LED (lights up when the power is ON, blinks during auto-teaching) Operation indicator: Red LED (lights up when the output is ON) ※Both blink alternately when a manual teaching error occurs Both blink simultaneously when the output is short-circuited		
Timer function	Approx. 40ms fixed OFF-delay timer (switchable either effective or ineffective)		
Teaching	Button operation, Switchable either manual-teaching or auto-teaching		
Tolerance	Adjustable in 16 grades with the tolerance adjuster		
Environmental resistance	Pollution degree	3 (Industrial environment)	
	Ambient temperature	- 10 to + 55°C (No dew condensation or icing allowed) (Note 1), Storage: - 20 to + 70°C	
	Ambient humidity	35 to 85% RH, Storage: 35 to 85% RH	
	Ambient illuminance	Sunlight: 10,000 lx at the light-receiving face, Incandescent light: 3,000 lx at the light-receiving face	
	EMC	Emission: EN50081-2, Immunity: EN50082-2	
	Voltage withstandability	1,000V AC for one min. between all supply terminals connected together and enclosure (Note 2)	
	Insulation resistance	20M Ω , or more, with 250V DC megger between all supply terminals connected together and enclosure (Note 2)	
	Vibration resistance	10 to 150Hz frequency, 0.75mm amplitude in X, Y and Z directions for two hours each	
Shock resistance	100m/s ² acceleration (10G approx.) in X, Y and Z directions for three times each		
Emitting element	Red LED • Green LED • Blue LED (modulated)		
Material	Enclosure: ABS, Case cover: Polycarbonate, Fiber lock lever: PPS		
Cable	0.2mm ² 3-core cabtyre cable, 2m long		
Cable extension	Extension up to total 100m is possible with 0.3mm ² , or more, cable.		
Weight	85g approx.		
Accessories	MS-DIN-3 (Amplifier mounting bracket): 1 No., Adjusting screwdriver: 1 No.		

Notes: 1) The amplifier should be used under the ambient temperature of + 15°C to + 35°C when the tolerance adjuster is set from the 1st grade to the 4th grade, which provide fine color resolution.

2) The voltage withstandability and the insulation resistance values given in the above table are for the amplifier only.

FZ-10

SPECIFICATIONS

Fibers

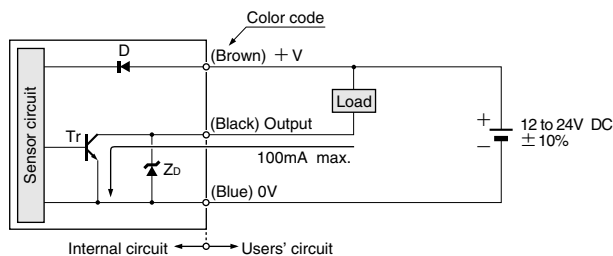
Type	Standard	High precision	Extremely small spot	Long sensing range	
Item	Model No.	FD-L51	FD-L52	FD-L53	FD-L54
Applicable amplifiers	FZ-11, FZ-11P				
Sensing range (Note 1)	14 to 24mm	8 to 11mm	4 to 6mm	30 to 50mm	
Setting distance	20mm (fixed)	10mm (fixed)	5mm (fixed)	40mm (fixed)	
Spot diameter (at setting distance)	φ5mm	φ2.5mm	φ1mm	φ8mm	
Allowable bending radius	R25mm or more (Note 2)				
Fiber cable length	1m				
Ambient temperature	- 20 to + 70°C (No dew condensation or icing allowed), Storage: - 20 to + 70°C				
Ambient humidity	35 to 85% RH, Storage: 35 to 85% RH				
Material	Fiber core: Acrylic, Sheath: Polyethylene, Fiber head: Polycarbonate, Lens: Polyallylate (FD-L54: Acrylic)				
Weight	15g approx.				

- Notes: 1) The sensing range of each fiber is the range for which white non-glossy paper can be detected at the sensitivity for which teaching has been done with a white non-glossy paper (50 × 50mm) at the respective rated setting distance and at the 16th grade of tolerance.
 2) If the fiber cable is bent at less than R25mm or less, the detectability may deteriorate.
 3) Since fiber **FD-L51** (standard type) is easily affected by specular reflection, it is possible that teaching may not be properly done or sensing may be unstable if objects of high reflectivity (mirror, plated objects, copper foil, etc.) are sensed. When such objects are to be sensed, please use **FD-L52** (high precision type) or **FD-L53** (extremely small spot type) and make sure that the projected optical beam is perpendicular to the object surface.

I/O CIRCUIT AND WIRING DIAGRAMS

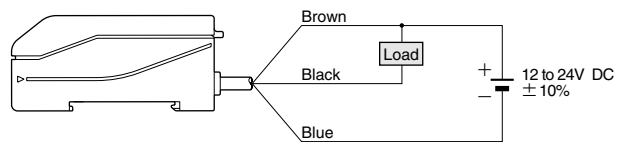
FZ-11 NPN output type

I/O circuit diagram



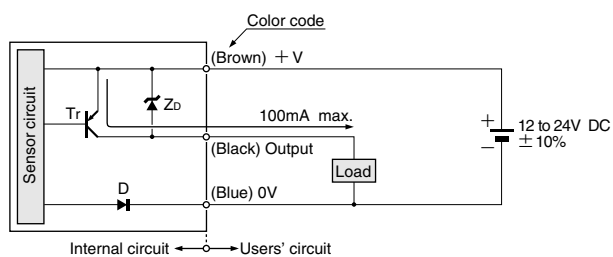
Symbols ... D: Reverse supply polarity protection diode
 Zd: Surge absorption zener diode
 Tr: NPN output transistor

Wiring diagram



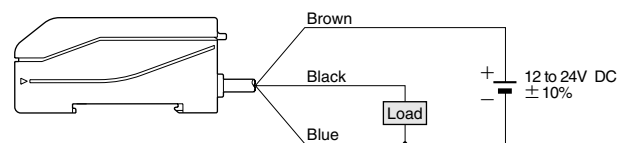
FZ-11P PNP output type

I/O circuit diagram



Symbols ... D: Reverse supply polarity protection diode
 Zd: Surge absorption zener diode
 Tr: PNP output transistor

Wiring diagram



FZ-10

PRECAUTIONS FOR PROPER USE

Amplifier

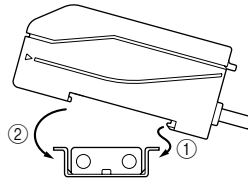


This product is not a safety sensor. Its use is not intended or designed to protect life and prevent body injury or property damage from dangerous parts of machinery. It is a normal object detection sensor.

Mounting

How to mount the amplifier

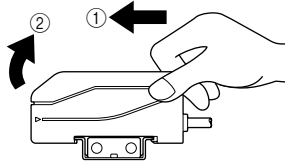
- ① Fit the rear part of the amplifier on the attached amplifier mounting bracket (**MS-DIN-3**) or a 35mm width DIN rail.
- ② Press down the front part of the amplifier on the amplifier mounting bracket (**MS-DIN-3**) or DIN rail to fit it.



Attached amplifier mounting bracket or 35mm width DIN rail

How to remove the amplifier

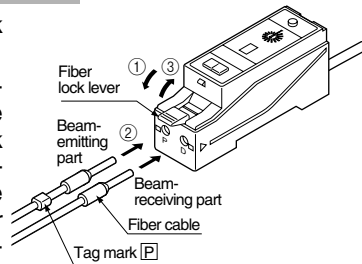
- ① Push the amplifier forward.
- ② Lift up the front part of the amplifier to remove it.



Note: Please take care that if the front part is lifted without pushing the amplifier forwards, the hooks on the rear portion of the mounting section are likely to break.

How to connect the fiber cables

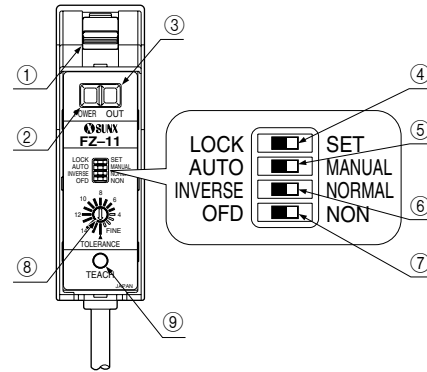
- ① Unlock the fiber lock lever by lowering it.
- ② Insert the beam-emitting fiber cable tagged with the mark 'P' into the beam-emitting part 'P', and the beam-receiving fiber cable into the beam-receiving part 'D'.



They should be inserted gradually until the position where they stop. If the emitting fiber cable and the receiving fiber cable are reversely inserted, proper operation cannot be obtained.

- ③ Lock the fiber lock lever to the original position.

Functional description



Description	Function	
① Fiber lock lever	Locks or unlocks fiber cables.	
② Power indicator (Green LED)	Lights up when the power is ON, blinks during auto-teaching.	Both blink alternately when a manual teaching error occurs.
③ Operation indicator (Red LED)	Lights up when the output is ON.	Both blink simultaneously when the output is short-circuited.
④ Teaching protect switch	The teaching button is ineffective if this switch is set on 'LOCK', but is effective if this switch set is on 'SET'.	
⑤ Setting mode selection switch	Manual teaching is selected if the switch is set on 'MANUAL'. Auto-teaching is selected if the switch is set on 'AUTO'.	
⑥ Output operation mode switch	Coincident-ON is selected if the switch is set on 'NORMAL'. Incoincident-ON is selected if the switch is set on 'INVERSE'.	
⑦ Timer operation mode switch	The approx. 40ms fixed OFF-delay timer is ineffective if this switch is set on 'NON', but is effective if this switch is set on 'OFD'.	
⑧ Tolerance adjuster	Determines the tolerance of equivalence with respect to the reference color, that the sensor has been taught, in 16 grades.	
⑨ Teaching button	Teaches the sensor the reference color as the criterion. (While the button is held, the sensor emits blue, red, and green beams one after the other.)	

Others

- Do not use during the initial transient time (0.5 sec.) after the power supply is switched on.
- Periodical teaching should be done to maintain stable sensing condition.

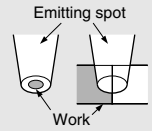
FZ-10

PRECAUTIONS FOR PROPER USE

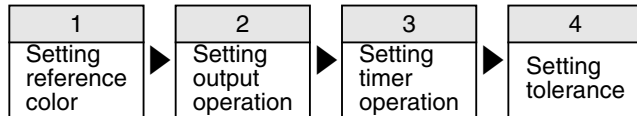
Amplifier

Setting

- During teaching, the **FZ-10** series resolves the color projected by the spot into red, green, and blue components which are processed as numerical values and stored into the EEPROM memory. If, during teaching, the spot area is not filled by one uniform color, such as when the target objects are smaller than the spot area, or are partly projected upon, then colors other than the one you want to detect may also be sensed. Make sure that objects fill the whole spot area during teaching, as well as, sensing.
- The taught data is saved in the EEPROM even when the sensor power supply is switched off. However, the guaranteed rewrite operations are limited to 100,000 times because of its lifetime.
- To manipulate the DIP switches, use a pair of tweezers, etc., with a tip width of 0.8mm approx.



• Procedure




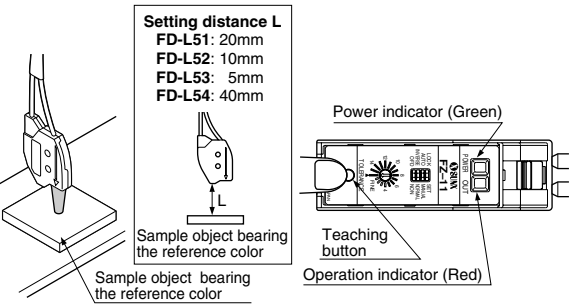



1. Setting reference color

- Prepare a sample object bearing the target color you want to detect. Choose manual teaching or auto-teaching.




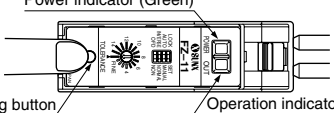
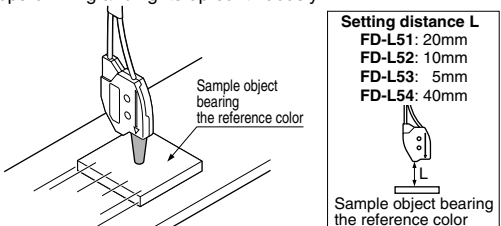

Setting by manual-teaching

- Teaching the reference color on a stationary object.

Step	Operation
①	Set the tolerance adjuster at the 16th grade (▲ mark) with the adjusting screwdriver. 
②	Set the teaching protect switch on 'SET'. 
③	Set the setting mode selection switch on 'MANUAL'. 
④	Place the sample object, bearing the reference color, under the fiber head at the setting distance. The surface of the sample object must face the fiber head at right angle to the beam axis, and the reference color must fill the whole spot area. Press the teaching button and release it. Then, the sensor recognizes the reference color as the criterion and starts sensing. 
⑤	Set the teaching protect switch on 'LOCK'.  ※ After the teaching, test the sensing. If the sensor identifies other similar colors that you do not want to detect, set the tolerance to be finer.

Setting by auto-teaching

- Teaching the reference color on a moving object.
- If the sample object includes colors other than the reference color, perform manual teaching. The sample object must contain only one uniform color for correct auto-teaching.

Step	Operation
①	Set the tolerance adjuster at the 16th grade (▲ mark) with the adjusting screwdriver. 
②	Set the teaching protect switch on 'SET'. 
③	Set the setting mode selection switch on 'AUTO'. 
④	Press the teaching button and release it. Then, the sensor enters into the waiting state. (The sensor recognizes the background color, then enters into the waiting state and the power indicator (green) starts blinking.) 
⑤	Run the sample object at the setting distance. • The sensor recognizes the first coming color other than the background color as the criterion. • The traveling speed must satisfy the following two conditions. (1) It should be 300mm/sec. or more. (2) The reference color must be exposed to the spot for 3ms or more. • After the sample object moves away, the sensor takes 50ms approx. to complete the teaching. The sensor is not operable in this period. • The sensor automatically starts sensing after recognizing the reference color as the criterion, and the power indicator (green) stops blinking and lights up continuously. 
⑥	Set the teaching protect switch on 'LOCK'. 



FZ-10

PRECAUTIONS FOR PROPER USE

Amplifier

2. Setting output operation

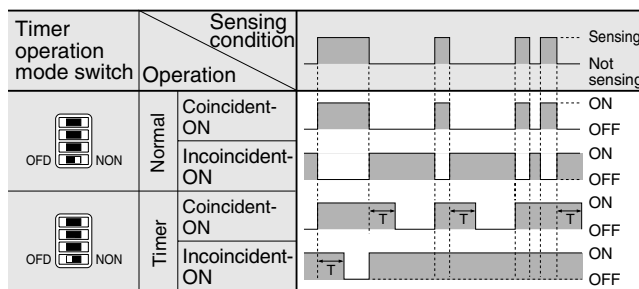
- Either Coincident-ON or Incoincident-ON can be selected.

Output operation	Operation	Output operation mode switch
Coincident-ON	Set the output operation mode switch on 'NORMAL'.	INVERSE  NORMAL
Incoincident-ON	Set the output operation mode switch on 'INVERSE'.	INVERSE  NORMAL

3. Setting timer operation

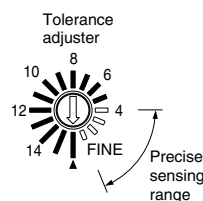
- The **FZ-10** series is incorporated with an OFF-delay timer fixed for 40ms approx. The OFF-delay timer operates when the timer operation mode switch is set on 'OFD'. Since the output signal is extended by a fixed time interval, this function is useful when the connected device has a slow response time or if small objects are being detected, resulting in a short output signal width.

Time chart

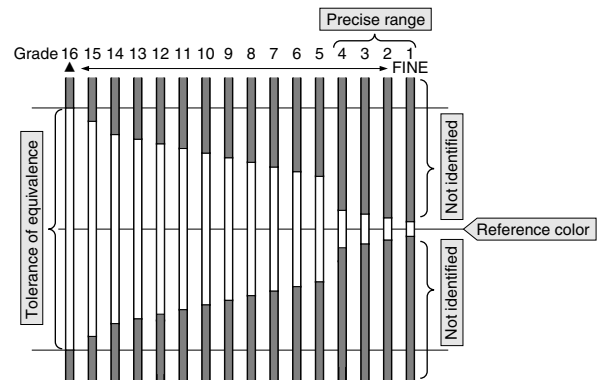


4. Setting tolerance

- The tolerance adjuster determines the tolerance of equivalence with respect to the reference color in 16 grades.
- Set the arrow mark of the adjuster to the desired grade from 1st to 16th using the adjusting screwdriver.



- When the grade is changed, the output is turned ON, once, for resetting.
- Even if the grade is changed, the reference color taught earlier does not change until the sensor is taught again.
- When performing auto-teaching, it is possible that teaching may fail depending upon the tolerance grade. If this happens, change the tolerance grade and repeat the teaching.
- For 16th to 5th grade, color identification is done based upon the color (red, green, blue) component ratio. For 4th to 1th grade (precise range), brightness is also considered for color identification. Hence, when the adjuster is set to the FINE side (4th to 1th grade), minute differences in gloss or color shades are also detected.



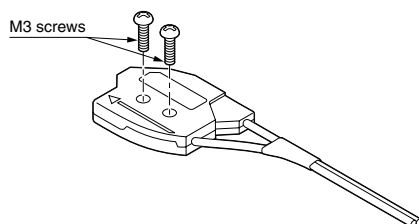
Tolerance in precise range (4th to 1st grade)

- Within the precise range, color is identified in all aspects of hue, chroma, and lightness. Hence, the sensor can discriminate the reference color from others even if there is a subtle difference in glossiness or density.
- After the tolerance is set within the precise range, the sensor should be used under an ambient temperature of +15 to +35°C. Also, periodical teaching should be done to maintain the stable sensing conditions. Before teaching, wait for a warm-up time of 10 min. approx. after switching on the power supply.
- Please take care that extraneous light or vibration may affect the detectability.

Fiber

Mounting

- Mount with two M3 screws with a tightening torque of 0.5N·m or less.



- Several fiber heads of **FD-L51**, **FD-L52**, **FD-L53** and **FD-L54** can be mounted close together as long as their emitted spots do not overlap.

Others

- If the bending radius is smaller than the allowable value, the sensing performance may deteriorate.
- Wipe dirt or stains from the sensing faces with a soft cloth. Do not use any organic solvent for cleaning.
- Ensure that any strong extraneous light is not incident on the receiving face of the fiber head.
- Do not move or bend the fiber cable after the sensitivity setting. Detection may become unstable.
- Keep the fiber head surface intact. If it is scratched or spoiled, the detectability will deteriorate.
- Do not expose the fiber cable to any organic solvents.
- Ensure that the fiber head is not directly exposed to water. A water drop on the fiber head deteriorates the sensing.
- Do not apply excessive tensile force to the fiber cable.

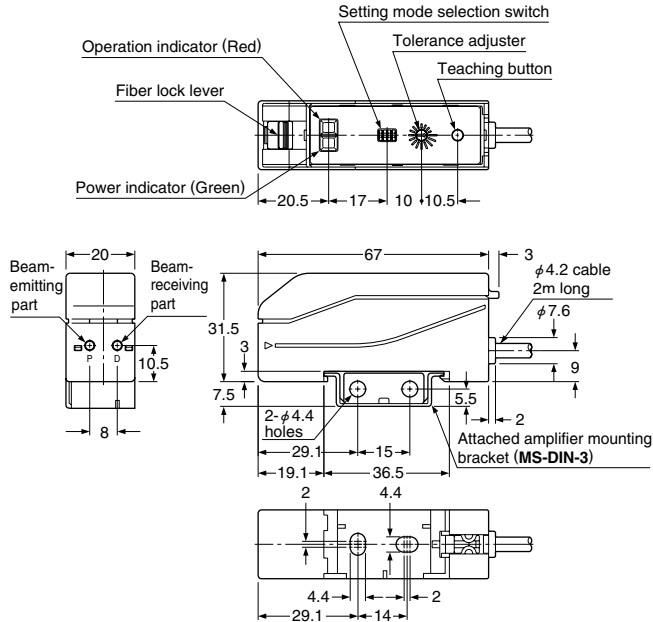
FZ-10

DIMENSIONS (Unit: mm)

**FZ-11
FZ-11P**

Amplifier

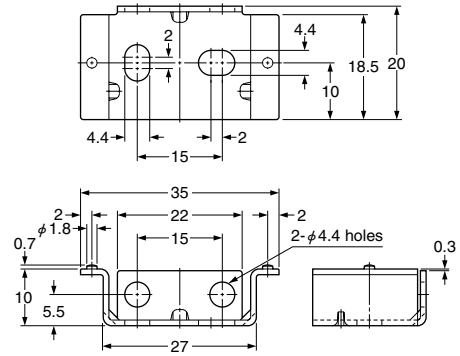
Assembly dimensions with attached amplifier mounting bracket



Note: The top view is shown without the cover.

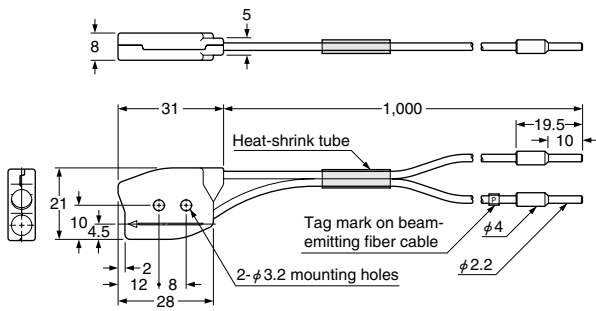
MS-DIN-3

Amplifier mounting bracket
(Accessory for FZ-11□)



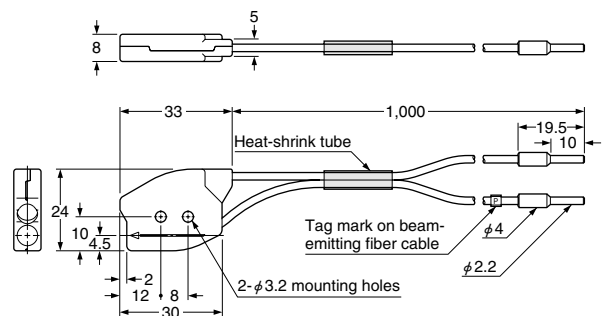
FD-L51

Fiber



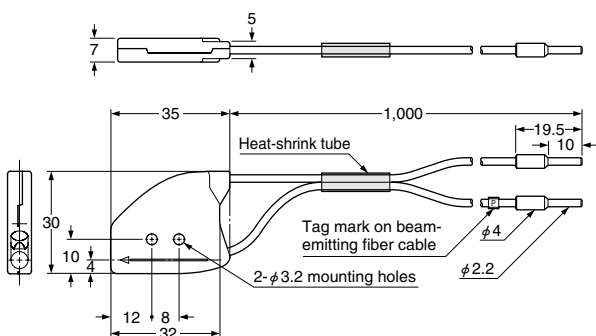
FD-L52

Fiber



FD-L53

Fiber



FD-L54

Fiber

