



LX INVERTER

Experience & Comfort for lifts



» Flexibility of motor types

» Full lift sequence

» Customer programmable

realizing

LX inverter Built from experience...

Born out of Omron's know-how and experience within the lift market, the LX can control gearless or geared systems. Designed for more than 5 million starts at 150% output current, the LX offers the high quality standards that you have come to expect, including noiseless operation and efficient motor control. The built-in clock & calendar and programming functionality offers flexibility in your application control.

Standard LCD operator display

- Designed for easy editing and access to parameters
- Copy function: for parameter settings and programming backup
- 4 configurable multi-monitor parameters with real units
- Password protection
- 10 languages available as standard: English, German, French, Spanish, Italian, Portuguese, Japanese, Chinese, Turkish and Russian
- Real time clock and calendar can save fault history with date and hour



Real time Clock allows special operation as "night mode"

LX inverter features

- Current vector control with or without PG
- High starting torque (200%/ 0.3 Hz sensorless vector, 200%/ 0 Hz closed loop vector control)
- Safety embedded: IEC 61508 SIL2 STO
- Lift language (Hz, m/s, rpm...)
- RS485 communication built-in -Modbus RTU-
- CE, cULus, RoHS



Multi-encoder feedback

- Single or double channel encoder option boards for incremental, EnDat and Hiperface encoder types
- Single and multturn encoder



Motor flexibility and efficient control

- Geared induction motor control
- Gearless permanent magnet motor control
- Easy tuning and fast startup. Patented high accuracy static tuning and rotary auto-tuning
- 8 times faster control loop from previous solution, ensuring quick response against rollback



PM motor control for the highest efficiency with less size

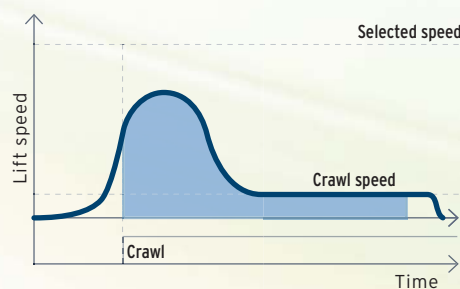
Silent and optimum operation

- No electric noise in the motor
- Fan is switched on/off depending on inverter temperature reducing audible noise
- The highest energy efficiency with PM motors
- Power supply can be cycled every 3 minutes for energy saving

Dedicated lift functionality

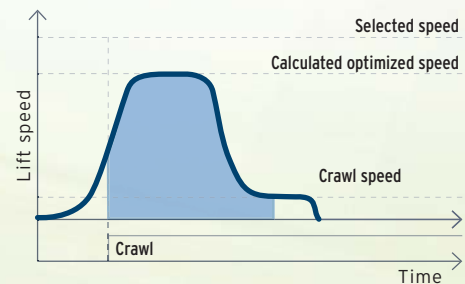
- Full lift sequence
- Sink and source control wiring to adapt to any lift controller
- Weight sensor compensation
- Special lift sequence errors
- Anti-rollback function
- Short floor lift travel: the Quick Floor Function reduces the time for short floor lengths

QUICKFLOOR function disabled



Quickfloor function disabled and early leveling: the system decelerates very early creating a long crawl speed time

QUICKFLOOR function enabled



One optimized speed is selected ensuring lift comfort is maintained and crawl time is minimized

...born to drive lifts

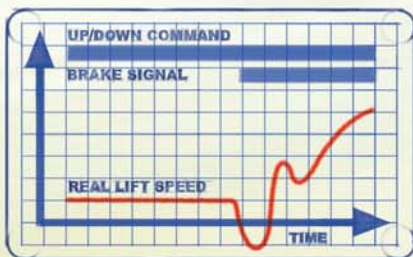
Advanced, dedicated lift features include: high accuracy static tuning, full lift sequence, anti-rollback function, quick floor function, emergency rescue operation, floor positioning auto-learning function and Drive Programming.

Experience true lift comfort with the LX inverter...

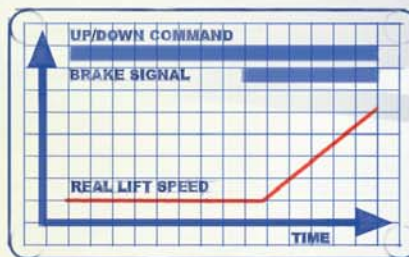
Ride comfort

- 6 s-ramp settings
- Ramps and speed auto association
- Torque ripple suppression
- Inertia compensation
- Special anti-rollback setting

Rollback on heavily loaded lift



Rollback after gains compensated



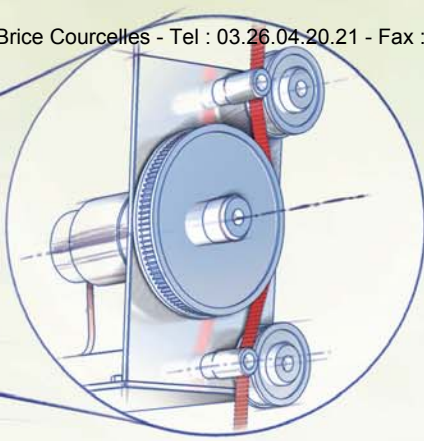
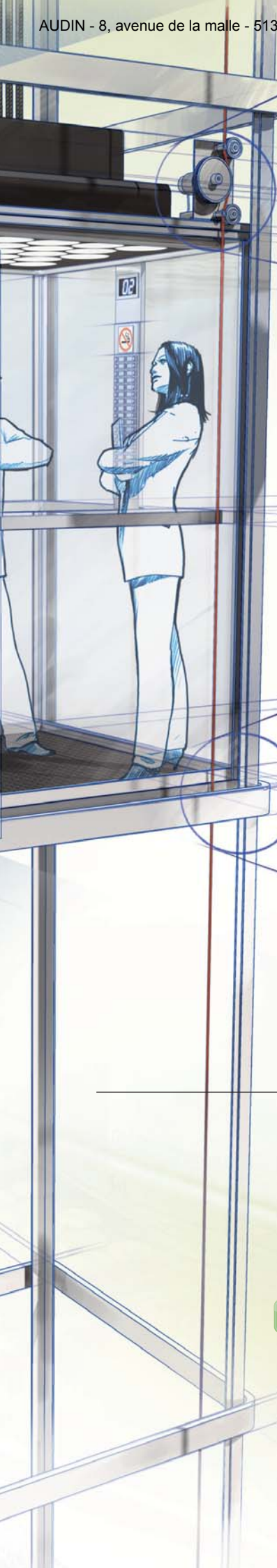
» Perfect lift leveling



**EMERGENCY
EXIT**

Emergency rescue functionality

- Takes the passengers to floor immediately at the emergency speed
- The inverter decides the direction for minimum power

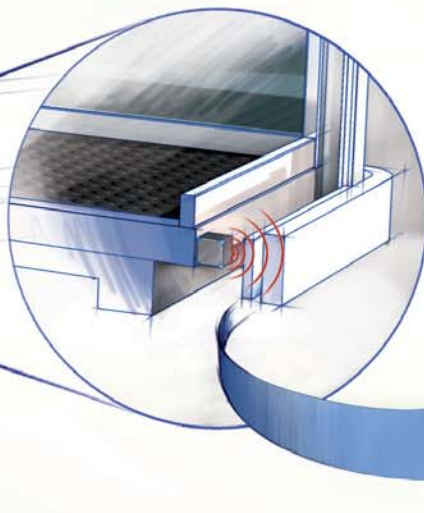


» The second encoder for position feedback avoids errors due to motor sheave slipping and rope extension

Position control

- Full positioning mode (Total floor control)
- Relative positioning mode (Floor approach mode)
- Control by digital inputs or user Drive Programming function
- Closed loop control and position control feedback independent
- Floor position auto-learning function of up to 40 floors

Floor position autolearning



» Easy capture of up to 40 floors in a simple sequence



Built-in programming

- Drive Programming functionality for decentralized control
- Full access to parameters and inverter functions
- Flow chart and text editor programming languages
- 5 tasks running in parallel with up to 1000 lines per program
- Access to LCD real time clock

» Flexible application control -for instance a travel density analysis can be programmed by the user-



LX

Born to drive lifts

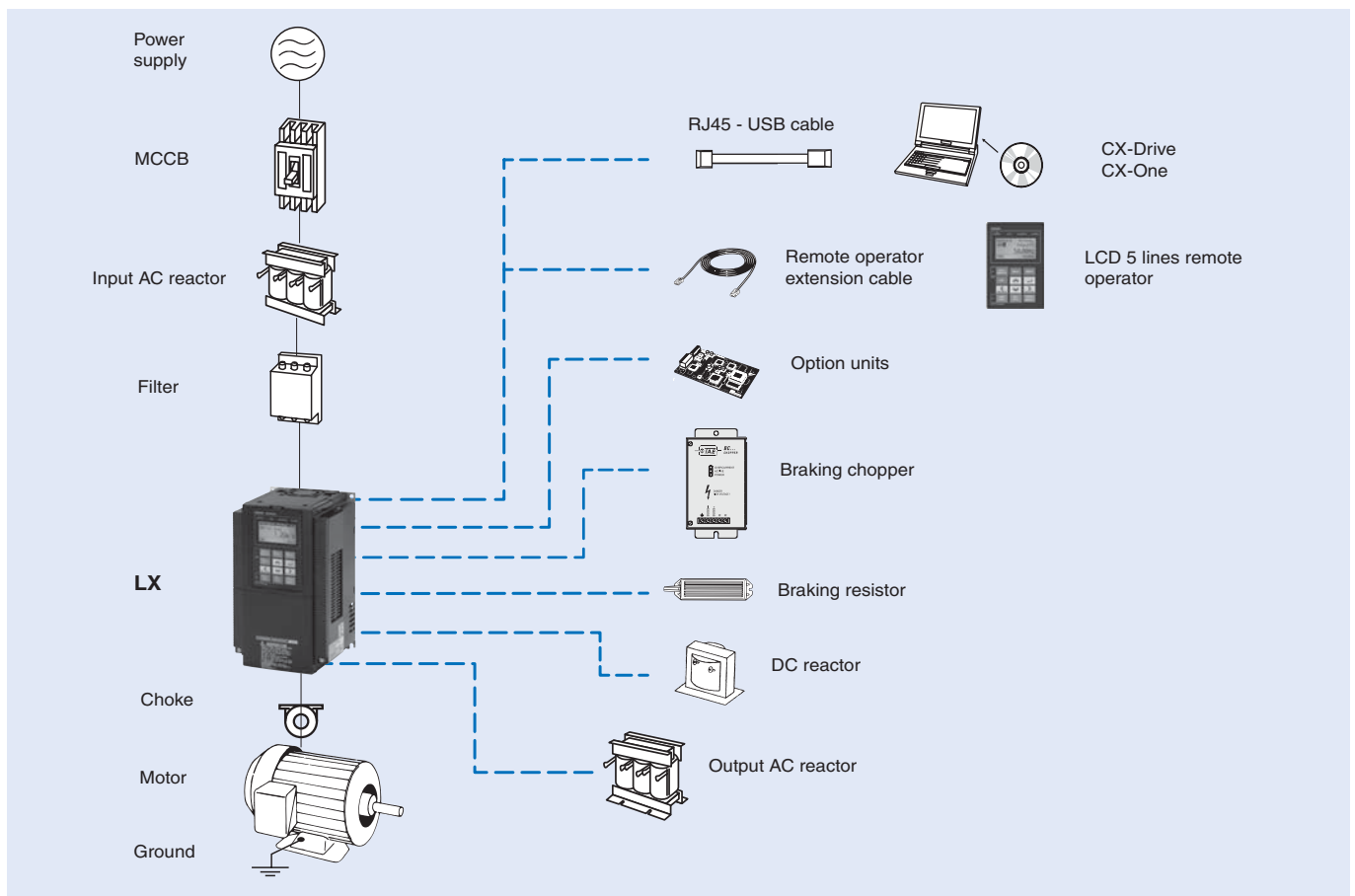
- Current vector control with or without PG
- High starting torque (200%/0.3 Hz Sensorless vector, 200%/0 Hz close loop vector control)
- IM&PM motor control
- Rescue function with flexible power supply (Control 220 VAC, Power from 48 VDC or 36 VAC)
- Static & Rotary advanced auto tuning
- Safety embedded: IEC 61508 SIL2
- Clock and calendar function
- Silent operation by Fan switch off by temperature
- One parameter Dynamic tuning
- Lift language (Hz, m/s, rpm...)
- Built-in logic programmability
- Universal dual encoder option (Endat, Hiperface, Line driver)
- Floor position auto-learning function of up to 40 floors
- Dedicated lift functionality (Brake control, Lift sequence...)
- CE, cULus, RoHS

Ratings

- 400 V Class three-phase 3.7 to 18.5 kW

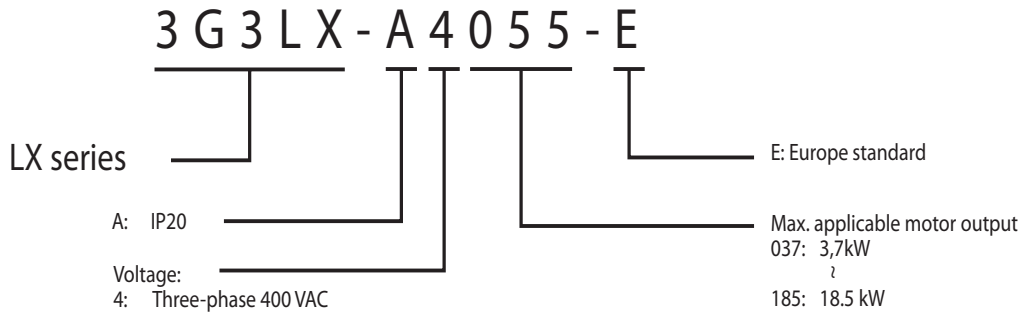


System configuration



Specifications

Type designation



400V class

Three-phase: 3G3LX-□		A4037	A4040	A4055	A4075	A4110	A4150	A4185
Motor kW*1		3.7	4.0	5.5	7.5	11.0	15.0	18.5
Output characteristics	Inverter capacity kVA	400 V 5.7	480 V 5.9	9.7	13.1	17.3	22.1	26.3
	Rated output current (A) (3min, 50%ED)	6.8	7.1	11.6	15.8	20.7	26.6	31.5
Max. output voltage		Proportional to input voltage: 0...480 V						
Max. output frequency		400 Hz						
Power supply	Rated input voltage and frequency	Control supply: 1-phase 200...240 V 50/60 Hz Power supply: 3-phase 380...480 V 50/60 Hz Do not turn the inverter power on and off more often than once every 3 minutes						
	Allowable voltage fluctuation	-15%...+10%						
	Allowable frequency fluctuation	5%						
Braking	Regenerative braking	Internal BRD circuit (external discharge resistor)						
	Minimum connectable resistance (Ω)	70	70	70	35	35	24	24
	Duty at minimum resistance	10%						
Minimum resistance at continuous running (Ω)		200	200	200	150	150	100	100
Protective structure		IP20						
Cooling method		Forced air cooling						

*1 Based on a standard IM 3-Phase standard motor.

Common specifications

Model number	3G3LX□	Specifications
Control functions	Control methods	Phase-to-phase sinusoidal pulse with modulation PWM (V/f control for IM, Open loop vector control for IM, Closed loop vector control for IM, Closed loop vector control for PM)
	Output frequency range	0.00 to 400.00 Hz
	Frequency precision	Digital set value: ±0.01% of the max. frequency
		Analogue set value: ±0.2% of the max. frequency (25±10°C)
	Resolution of frequency set value	Digital set value: 0.01 Hz Analogue input: 12 bit
	Resolution of output frequency	0.01 Hz
	Starting torque	200% at 0.3 Hz (Open loop vector control)
		150% at 0 Hz (Closed loop vector control)
	Overload capability	150% for 30 sec
External frequency set value	0 to 10 VDC (10 kΩ), -10 to 10 VDC (10 kΩ), 4 to 20 mA (100 Ω), RS485 Modbus	
Multi input frequency set values	7 multi speeds 10 speeds: Fast, Crawl, Intermediate 1/2/3, Releveling, inspection 1/2, Rescue 1/2	
Functionality	Inputs signals	9 terminals (7 multi-function plus GS1 and GS2, NO/NC switchable, sink/source logic switchable) [Terminal function] SET (set 2nd motor data), FRS (Free-run stop), EXT (External trip), SFT (Software lock), RS (Reset), PCLR (Clear the current position), MI1 (General-purpose input 1), MI2 (General-purpose input 2), MI3 (General-purpose input 3), MI4 (General-purpose input 4), MI5 (General-purpose input 5), MI6 (General-purpose input 6), MI7 (General-purpose input 7), MI8 (General-purpose input 8), SPD1 (Multi-speed 1 setting), SPD2 (Multi-speed 2 setting), SPD3 (Multi-speed 3 setting), RESC (Rescue), INSP (Inspection), RL (Releveling), COK (Contactor check signal), BOK (Brake check signal), FP1 (Floor position 1), FP2 (Floor position 2), FP3 (Floor position 3), FP4 (Floor position 4), FP5 (Floor position 5), PAL (Auto learning data latch trigger), TCL (Torque bias latch trigger), LVS (Leveling signal), NFS (Near floor), CMC (control mode change), No allocation (no)
	Output signals	4 Relay output terminals: NO/NC switchable [Terminal function] RUN (Running), FA1 (Constant-speed reached), FA2 (Set frequency overreached), OL (Overload advance signal (1), AL (Alarm signal), FA3 (Set frequency reached), OTQ (Over-torque), IP (Instantaneous power failure), UV (Under voltage), TRQ (Torque limited), RNT (Operation time over), ONT (Plug-in time over), THM (Thermal alarm signal), ZS (0 Hz detection signal), DSE (Speed deviation maximum), POK (Positioning completed), FA4 (Set frequency overreached 2), FA5 (Set frequency reached 2), OL2 (Overload advance signal 2), WAC (Capacitor life warning), WAF (Cooling-fan speed drop), FR (starting contact signal), OHF (Heat sink overheat warning), LOC (Low-current indication signal), MO1 (General-purpose output 1), MO2 (General-purpose output 2), MO3 (General-purpose output 3), MO4 (General-purpose output 4), MO5 (General-purpose output 5), MO6 (General-purpose output 6), IRDY (Inverter ready), FWR (Forward rotation), RVR (Reverse rotation), MJA (Major failure), CON (Contactor control signal), BRK (Brake control signal), UPS (Light load search status), UPD (Light load search direction), GMON (Gate suppress monitor), MPS (Magnet pole position search)



Functionality	Function for Lift	Dedicated lift sequence built-in (Speed control, Direct position control), Direct control motor brake and contactor, Quick floor function, Torque bias at start (at closed loop vector control), ASR gain adjustment, Lift units (speed, position, Accel/Decel), Motor constant saved on inverter and encoder (Hiperface, EnDat), Emergency operation by UPS or battery (Control supply 1 phase 220 V, Power supply 48 to 600 VDC or 1 phase 220 V)
	Analogue inputs	Two analogue inputs 0 to 10 V and -10 to 10 V (10 k Ω), one 4 to 20 mA (100 Ω) (12 bits resolution)
	Analogue outputs	Analog voltage output (0 to 10 VDC 10 bits resolution), Analog current output (0 to 20 mA 10 bits resolution), Pulse train output (Max frequency 3.6 kHz, max current 1.2 mA)
	Accel/Decel times	0.01 to 3,600.0 s (linear/S-curve for lift, multi stage Acceleration/Deceleration)
Protection functions	Display	Status indicator LED's Run, Program, Power, Alarm, Hz, Amps, Volts, % Digital operator: Available to monitors: Output speed, Output current, Output torque, Output voltage, Input power, Electronic thermal overload, LAD speed, Motor temperature, Heat sink temperature, Output torque (signed value), General-purpose output YA (n)
	Motor overload protection	Electronic Thermal overload relay and PTC thermistor input
	Instantaneous overcurrent	200% of rated current for 3 seconds (170% for 15 kW and 18.5 kW)
	Overload	150% for 30 seconds
	Overvoltage	800 V
	Cooling fin overheat	Temperature monitor and error detection
	Stall prevention level	Stall prevention during acceleration and constant speed
	Ground fault	Detection at power on
Ambient conditions	Lift specific protection	Speed-reference error, Contactor error, Brake error, Wrong rotation detection, Over acceleration, Over speed, Speed deviation error
	Degree of protection	IP20
	Ambient humidity	90% RH or less (without condensation)
	Storage temperature	-20°C...+65°C (short-term temperature during transportation)
	Ambient temperature	-10°C to 40°C
	Installation	Indoor (no corrosive gas, dust, etc.)
	Installation height	Max. 1000 m
	Vibration	5.9 m/s ² (0.6 G), 10 to 55 Hz

Dimensions

Figure 1

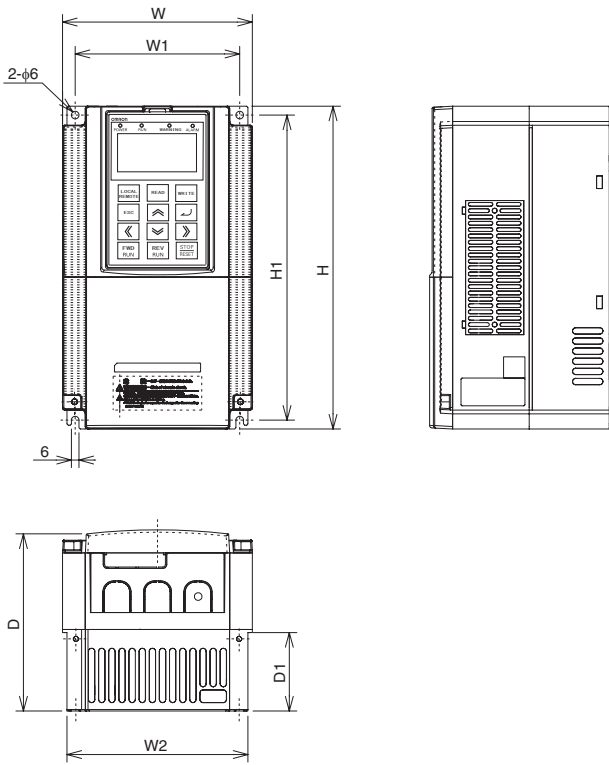


Figure 2

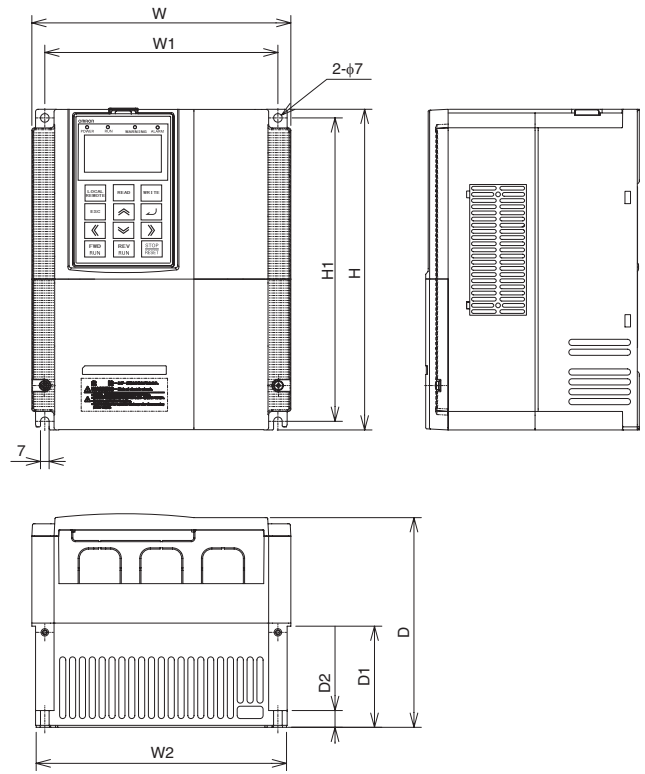
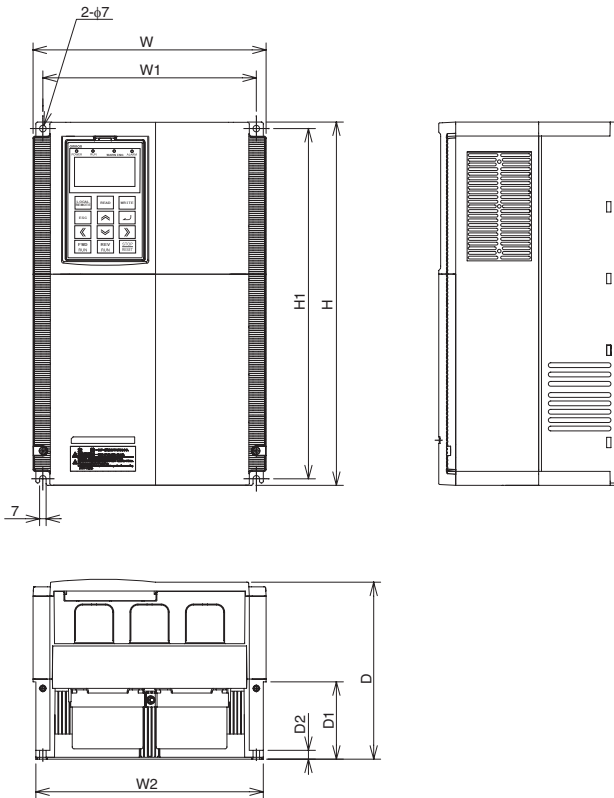


Figure 3

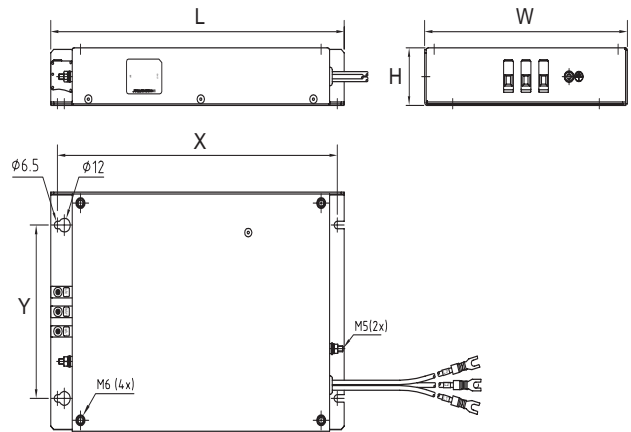




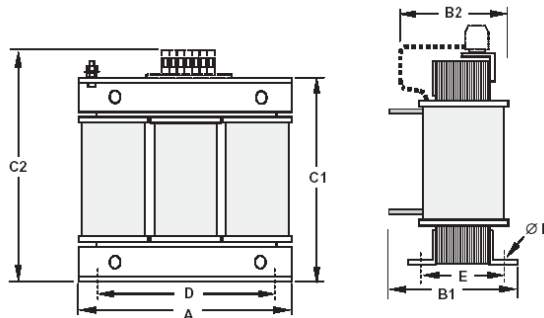
Voltage class	Inverter model LX□	Figure	Dimensions in mm								
			W	W1	W2	H	H1	D	D1	D2	Weight (kg)
Three-phase 400 V	A4037	1	150	130	143	255	241	140	62	-	3.5
	A4040	2	210	189	203	260	246	170	82	13.6	6
	A4055										
	A4075										
	A4110	3	250	229	244	390	376	190	83	9.5	14
	A4150										
A4185											

Schaffner filters

V	Inverter 3G3LX	Filter model	Dimensions (mm)							Weight kg
			L	W	H	X	Y	A	B	
3x400 V	A4037	AX-FIL3010-SE	300	145	40	286	110	6.5	M5	1.0
	A4040	AX-FIL3015-SE	300	207	50	286	150	6.5	M6	1.5
	A4055									
	A4075	AX-FIL3030-SE	300	207	50	286	150	6.5	M6	2.1
	A4110	AX-FIL3053-SE	442	250	60	426	180	6.5	M6	4.1
	A4150									
A4185										

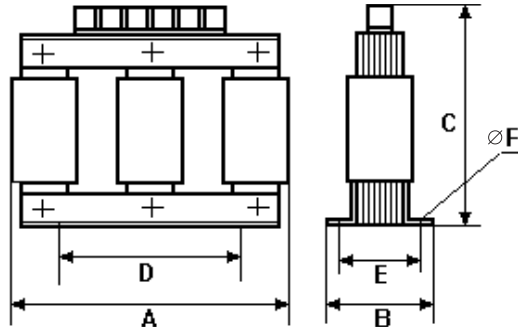


Input AC Reactor



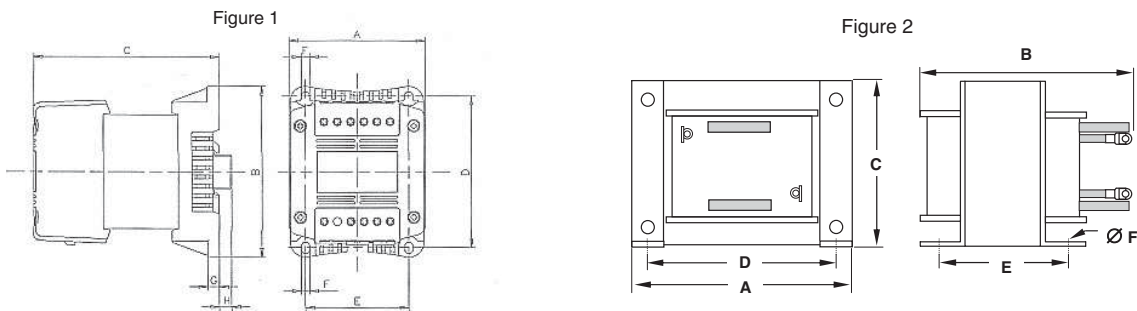
Voltage	Reference	Dimensions								Weight kg
		A	B1	B2	C1	C2	D	E	F	
400 V	AX-RAI03500100-DE	120	-	80	-	120	80	62	5.5	2.35
	AX-RAI01300170-DE	180		75		195				
	AX-RAI00740335-DE		85	190		140	55	6		
	AX-RAI00360500-DE		205	6.5						

Input AC Reactor for EN12015



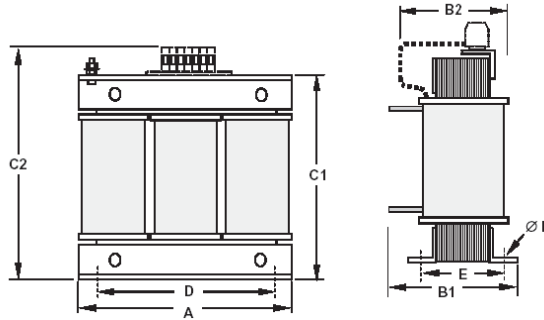
Voltage	Reference	Dimensions						Weight kg
		A	B	C	D	E	F	
400 V	AX-LX-RAI4037-CE	178	90	170	90	63	7	4.9
	AX-LX-RAI4040-CE	178	90	170	90	63	7	5.5
	AX-LX-RAI4055-CE	178	100	170	90	73	7	6.9
	AX-LX-RAI4075-CE	178	110	170	90	83	7	9.7
	AX-LX-RAI4110-CE	285	145	205	160	115	8	20
	AX-LX-RAI4150-CE	285	145	205	160	115	8	22
	AX-LX-RAI4185-CE	285	145	205	160	115	8	26

DC Reactor



400 V										
Reference AX-RC	Fig	Dimensions								kg
		A	B	C	D	E	F	G	H	
06400116-DE	1	108	135	133	120	82	6.5	9.5	9.5	3.70
04410167-DE		120	152	136	135	94	7		-	5.20
03350219-DE				146				6.00		
02330307-DE		150	177	160	160	115	7	2	-	11.4
01750430-DE	183			14.3						
01200644-DE	2			195						161

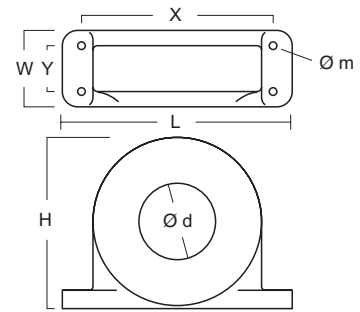
Output AC Reactor



400 V							
Reference AX-RAO	Dimensions						kg
	A	B2	C2	D	E	F	
07300080-DE	180	85	190	140	55	6	5.5
04600110-DE	180	85	190	140	55	6	5.5
03600160-DE	180	85	205	140	55	6	6.5
02500220-DE	180	95	205	140	65	6	9.1
02000320-DE	240	110	275	200	75	6	16.0
01650400-DE	240	110	275	200	75	6	16.0

Chokes

Reference	D diameter	Motor kW	Dimensions						Weight kg
			L	W	H	X	Y	m	
AX-FER2515-RE	25	< 15	105	25	62	90	-	5	0.2
AX-FER5045-RE	50	< 18.5	150	50	110	125	30	5	0.7



Resistor dimensions

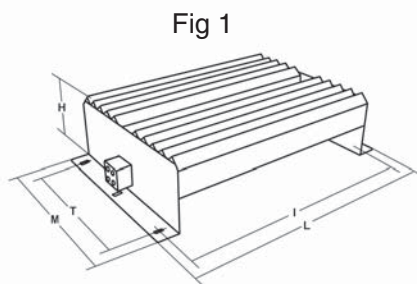


Fig 1

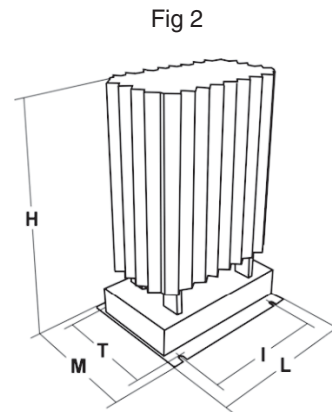
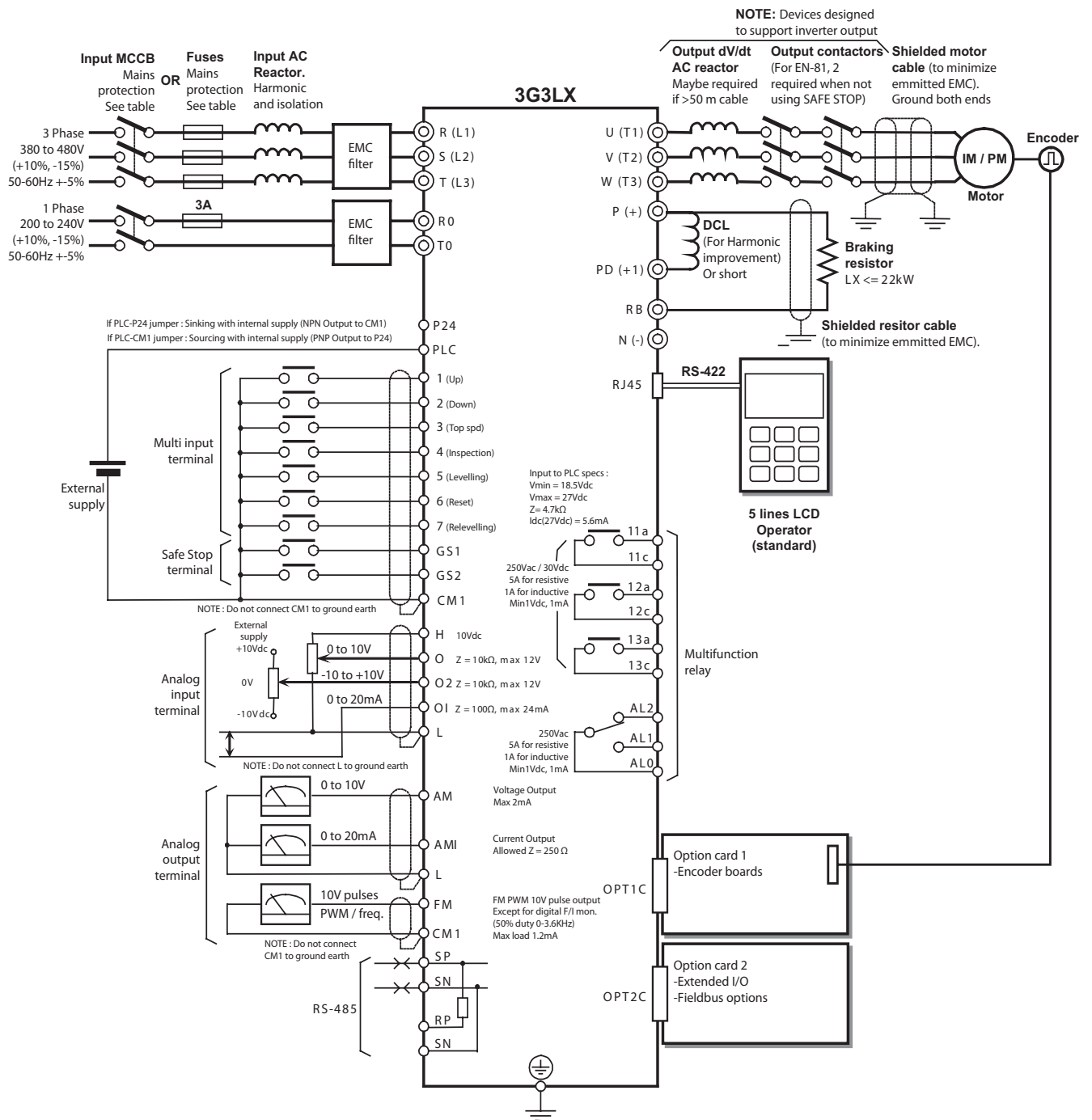


Fig 2

Type	Fig	Dimensions					Weight kg
		L	H	M	I	T	
AX-REM02K1110-IE	1	310	100	240	295	210	7
AX-REM03K5085-IE		365	100	240	350	210	8
AX-REM19K0032-IE	2	206	350	140	190	50	8.1

Installation



Terminal block specifications

Terminal	Name	Function (signal level)
R/L1, S/L2, T/L3	Main circuit power supply input	Three phase 380-480 V
Ro, To	Control circuit power supply	Single phase 200-240 V for any voltage class
U/T1, V/T2, W/T3	Inverter output	Three phase motor connection (IM/PM)
PD/+1, P/+	External DC reactor terminal	Normally connected by the short-circuit bar. Remove the short-circuit bar between +1 and P/+2 when a DC reactor is connected.
P/+, RB	External brake resistor	For connection of an external braking resistor. (Integrated braking transistor for 22 kW or lower size)
P/+, N/-	Regenerative braking unit connection terminal	Connect optional regenerative braking units.
⊕	Grounding	Earthing terminal. Please ground large ground.



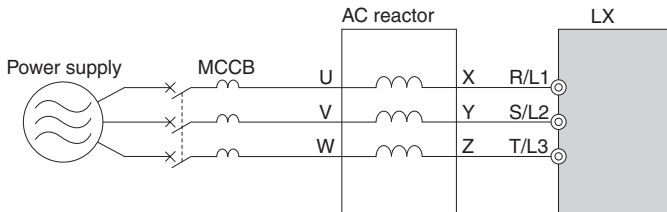
Control circuit

Type	No.	Signal name	Function	Signal level
Frequency reference input	H	Power supply for analog potentiometer	10 VDC 20 mA max	
	O	Analog voltage input Speed Reference/Torque bias (load cell)	0 to 12 VDC (10 kΩ)	
	O2	Analog voltage input Speed Reference/Torque bias (load cell)	0 to +/- 12 VDC (10 kΩ)	
	OI	Analog current input Speed Reference/Torque bias (load cell)	4 to 20 mA (100 Ω)	
	L	analog power supply common	–	
Monitor Output	AM	Multi-function analog voltage output	Factory setting: Output frequency	2 mA max
	AMI	Multi-function analog current output	Factory setting: Output frequency	4 to 20 mA (max imp 250 Ω)
	FM	PWM monitor output	Factory setting: Output frequency	0 to 10 VDC Max 3.6 kHz
Power Supply	P24	Internal 24 VDC	Power supply for contact input signal	100 mA max
	CM1	Input common	Common terminal for P24, TH and analog monitor (AM, AMI, FM) terminals Note: Do not connect to ground earth	
Function Selection	1	Multi-function input When safety inputs GS1 and GS2 are enabled by hardware dip-switch SW1, multifunction settings 78:GS1 and 79:GS2 are compulsory. When safety inputs are disabled, GS1 and GS2 can be used as standard multifunction inputs.	Factory setting: Up (UP)	27 VDC max Input imp 4.7 kΩ Max current 5.6 mA On: 18 VDC or more
	2		Factory setting: Down (DWN)	
	3		Factory setting: Multi-speed 2 setting (SPD2)	
	4		Factory setting: Inspection 1 (INSP1)	
	5		Factory setting: Leveling signal (LVS)	
	6		Factory setting: Reset (RS)	
	7		Factory setting: Inspection 2 (INSP2)	
	GS1		Factory setting: Gate suppress 1 (GS1)	
	GS2		Factory setting: Gate suppress 2 (GS2)	
	PLC		Multi-function input common	
Status/Factor	11a	Multi-function output	Factory setting: Brake control signal (BRK)	Maximum relay contact capacity: 250VAC 5 A (R load) 250VAC 1 A (I load) 30 VDC 5 A (R load) 30 VDC 1 A (I load) Minimum capacity 1 VDC 1 mA
	11c			
	12a		Factory setting: Contactor control signal (CON)	
	12c			
	13a			
	13c		Factory setting: Inverter ready (IRDY)	
Relay output	AL1	Relay output (Normally close)	Factory setting: Alarm signal (AL) Under normal operation AL1-AL0 open AL2-AL0 close	R load AL1-AL0 250 VAC 2 A AL2-AL0 250 VAC 1 A I load 250 VAC 0.2 A
	AL2	Relay output (Normally open)		
	AL0	Relay output common		
Sensor	TH	External thermistor input terminal	SC terminal functions as the common terminal 100 mW minimum Impedance at temperature error: 3 kΩ	0 to 8 VDC
Comms	SP	RS485 Modbus terminals	–	Differential input
	SN			
	RP	RS485 terminating resistor terminals		
	SN			

Inverter heat loss
Three-phase 400 V class

Model 3G3LX-		A4037	A4040	A4055	A4075	A4110	A4150	A4185
Inverter capacity kVA	400 V	5.7	5.9	9.7	13.1	17.3	22.1	26.3
	480 V	6.8	7.1	11.6	15.8	20.7	26.6	31.5
Rated current (A)		9	11	14	19	25	32	38
Heat loss W	Losses at 70% load	179	242	242	312	435	575	698
	Losses at 100% load	235	325	325	425	600	800	975
Efficiency at rated output		94.0	94.4	94.4	94.6	94.8	94.9	95.0
Cooling Method		Forced-air-cooling						

Input AC Reactor

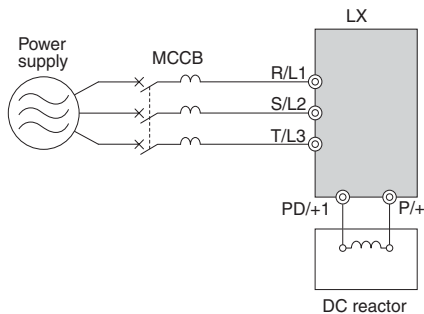


400 V class			
Max. applicable motor output kW	Reference	Current value A	Inductance mH
3.7	AX-RAI03500100-DE	10.0	3.5
4.0 to 7.5	AX-RAI01300170-DE	17.0	1.3
11.0 to 15.0	AX-RAI00740335-DE	33.5	0.74
18.5	AX-RAI00360500-DE	50.0	0.36

Input AC Reactor for EN12015

400 V class				
Max. applicable motor output kW	Reference	Current value A	Resistance mΩ	Inductance mH
3.7	AX-LX-RAI4037-CE	9	150	10.6
4.0	AX-LX-RAI4040-CE	11	129	8.7
5.5	AX-LX-RAI4055-CE	14	100	6.8
7.5	AX-LX-RAI4075-CE	19	50	5
11.0	AX-LX-RAI4110-CE	27	21	3.5
15.0	AX-LX-RAI4150-CE	34	19	2.8
18.5	AX-LX-RAI4185-CE	41	15	2.3

DC Reactor

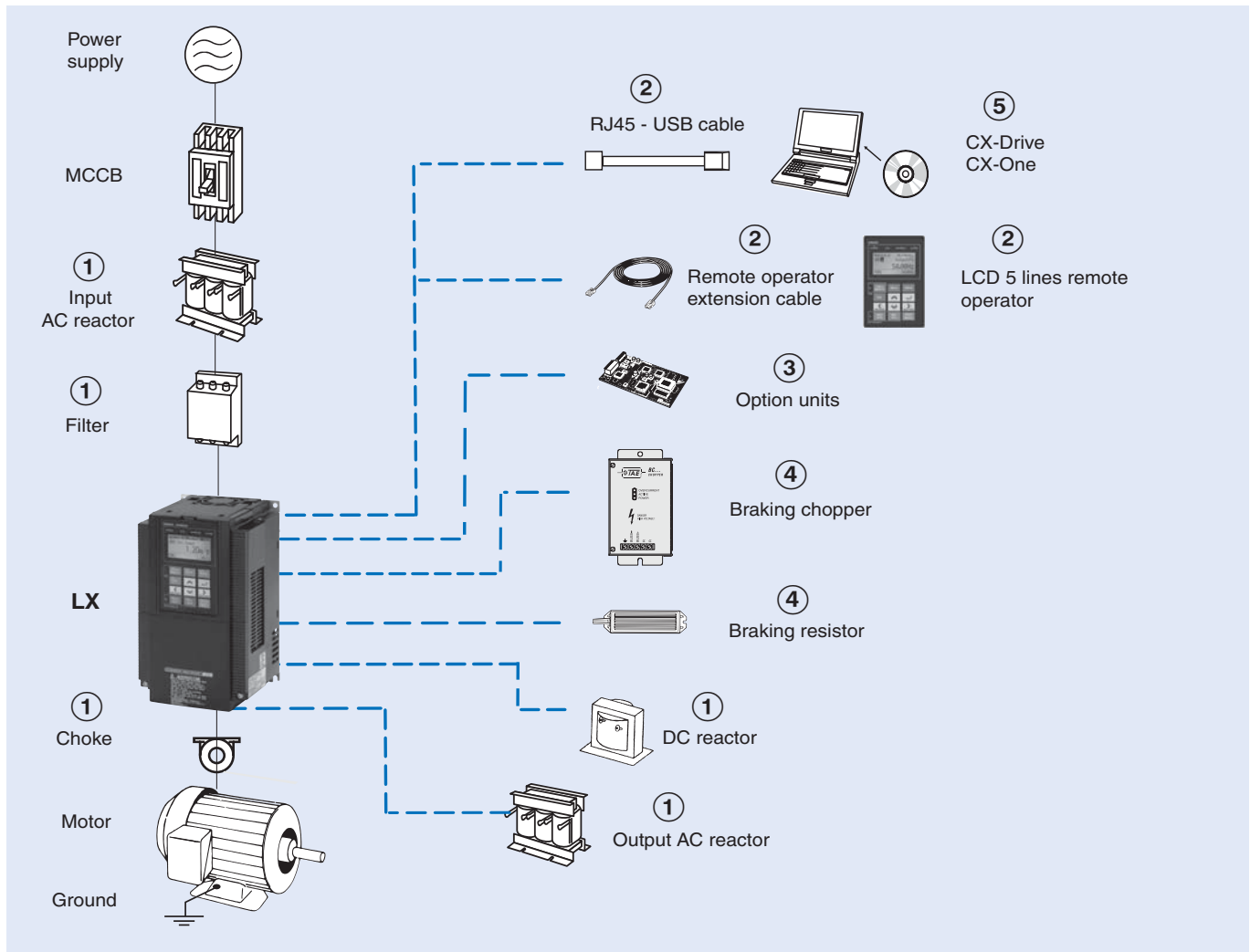


400 V class			
Max. applicable motor output kW	Reference	Current value A	Inductance mH
3.7	AX-RC06400116-DE	11.6	6.40
5.5	AX-RC04410167-DE	16.7	4.41
7.5	AX-RC03350219-DE	21.9	3.35
11.0	AX-RC02330307-DE	30.7	2.33
15.0	AX-RC01750430-DE	43.0	1.75
18.5	AX-RC01200644-DE	64.4	1.20

Output AC Reactor

400 V class			
Max. applicable motor output kW	Reference	Current value A	Inductance mH
4.0	AX-RAO07300080-DE	8.0	7.30
5.5	AX-RAO04600110-DE	11.0	4.60
7.5	AX-RAO03600160-DE	16.0	3.60
11	AX-RAO02500220-DE	22.0	2.50
15	AX-RAO02000320-DE	32.0	2.00
18.5	AX-RAO01650400-DE	40.0	1.65

Ordering information



3G3LX

Specifications			Model
Voltage class	Max motor kW	Rated current A	3G3LX-
Three-phase 400V	3.7	9	A4037-E
	4.0	11	A4040-E
	5.5	14	A4055-E
	7.5	19	A4075-E
	11	27	A4110-E
	15	34	A4150-E
	18.5	41	A4185-E

① Line filters

Line filter						
Type	Voltage class	Model 3G3LX-□	Reference	Rated current (A)	Leakage Nom/Max	kg
Filter for main power supply	Three-phase 400 V	A4037	AX-FIL3010-SE	10	3.3/53 mA	1.0
		A4040/A4055	AX-FIL3015-SE	15	3.3/53 mA	1.5
		A4075/A4110	AX-FIL3030-SE	30	3.4/58 mA	2.1
		A4150/A4185	AX-FIL3053-SE	53	3.4/58 mA	4.1
Filter for control power supply ^{*1}	Single-phase 200 V	All models	AX-FILC2008-SE	8	0.73/1.46 mA	0.17

^{*1} To meet EMC regulation the AX-FILC2008-SE filter on the control power supply is needed.

① Input AC Reactors

3-Phase 400 VAC	
Inverter Model 3G3LX-□	AC Reactor Reference
A4037	AX-RAI03500100-DE
A4040/A4055/A4075	AX-RAI01300170-DE
A4110/A4150	AX-RAI00740335-DE
A4185	AX-RAI00360500-DE

① Input AC Reactors for EN12015

3-Phase 400 VAC	
Inverter Model 3G3LX-□	AC Reactor Reference
A4037	AX-LX-RAI4037-CE
A4040	AX-LX-RAI4040-CE
A4055	AX-LX-RAI4055-CE
A4075	AX-LX-RAI4075-CE
A4110	AX-LX-RAI4110-CE
A4150	AX-LX-RAI4150-CE
A4185	AX-LX-RAI4185-CE

① DC Reactors

3-Phase 400 VAC	
Inverter Model 3G3LX-□	AC Reactor Reference
A4037	AX-RC06400116-DE
A4040/A4055	AX-RC04410167-DE
A4075	AX-RC03350219-DE
A4110	AX-RC02330307-DE
A4150	AX-RC01750430-DE
A4185	AX-RC01200644-DE

① Chokes

Model	Diameter	Description
AX-FER2515-RE	25	For 15 kW motors or below
AX-FER5045-RE	50	For 18.5 kW motors

① Output AC Reactor

400V	
Model 3G3LX-□	Reference
A4040	AX-RAO07300080-DE
A4055	AX-RAO04600110-DE
A4075	AX-RAO03600160-DE
A4110	AX-RAO02500220-DE
A4150	AX-RAO02000320-DE
A4185	AX-RAO01650400-DE

② Accessories

Types	Model	Description	Functions
Digital operator	AX-OP05-E	LCD remote operator	5 Line LCD remote operator with copy function, cable length max. 3 m. ^{*1}
	3G3AX-CAJOP300-EE	Remote operator cable	3 meters cable for connecting remote operator
	3G3AX-OP01	LED remote operator	LED remote operator, cable length max. 3m
	4X-KITMINI	Mounting kit for LED operator	Mounting kit for LED operator on panel
Accessories	3G3AX-PCACN2	USB converter/USB cable	RJ45 to USB connection cable
	USB-converter cable		

*1 Please note, models with firmware 4287 and 4288, the operator will only display 2 lines of text.

③ Option boards

Types	Model	Description	Functions
Encoder Feedback	3G3AX-PG	PG speed controller option card	Phase A,B and Z pulse (differential pulse) inputs (RS-422) Pulse train position command input (RS-422) Pulse monitor output (RS-422) PG frequency range: 100 kHz max
	3G3AX-ABS		Two encoder input board supporting Phase A,B and Z pulse (differential pulse) inputs (RS-422) EnDat 2.1 and 2.2 Hiperface
	3G3AX-ABS30		3G3AX-ABS → PG frequency range: 100 kHz max 3G3AX-ABS30 → PG frequency range: 30 KHz max to improve noise immunity
Option	SJ-EIO	Expansion I/O board	5 digital inputs, 2 relay output and 1 open collector output



④ Braking unit, braking resistor unit

Voltage	Max. motor kW	Inverter				Braking resistor unit		
		Inverter 3G3LX□	Braking Unit AX-BCR□	Connectable min. resistance Ω	Connectable resistance at continuous running Ω	External resistor 10%ED 10 sec max for built-in 5 sec max for Braking Unit		Braking torque %
		3-phase				Type AX-	Resist Ω	
400 V (Three-phase)	3.7	4037	Built-in	70	200	REM02K1110-IE	110	55
	4.0	4040		70	200	REM02K1110-IE	110	50
	5.5	4055		70	200	REM02K1110-IE	110	40
	7.5	4075		35	150	REM03K5085-IE	85	45
	11.0	4110		35	150	REM03K5085-IE	85	30
	15.0	4150		24	100	REM19K0032-IE	32	65
	18.5	4185		24	100	REM19K0032-IE	32	55

Recommended values with a 2:1 roping ratio, 1m/s lift speed and medium lift usage

⑤ Computer software

Types	Model	Description	Installation
Software	CX-Drive	Computer software	Configuration and monitoring software tool
	CX-One	Computer software	Configuration and monitoring software tool

ALL DIMENSIONS SHOWN ARE IN MILLIMETERS.
To convert millimeters into inches, multiply by 0.03937. To convert grams into ounces, multiply by 0.03527.



OMRON EUROPE B.V. Wegalaan 67-69, NL-2132 JD, Hoofddorp, The Netherlands. Tel: +31 (0) 23 568 13 00 Fax: +31 (0) 23 568 13 88 www.industrial.omron.eu

Austria

Tel: +43 (0) 2236 377 800
www.industrial.omron.at

Belgium

Tel: +32 (0) 2 466 24 80
www.industrial.omron.be

Czech Republic

Tel: +420 234 602 602
www.industrial.omron.cz

Denmark

Tel: +45 43 44 00 11
www.industrial.omron.dk

Finland

Tel: +358 (0) 207 464 200
www.industrial.omron.fi

France

Tel: +33 (0) 1 56 63 70 00
www.industrial.omron.fr

Germany

Tel: +49 (0) 2173 680 00
www.industrial.omron.de

Hungary

Tel: +36 1 399 30 50
www.industrial.omron.hu

Italy

Tel: +39 02 326 81
www.industrial.omron.it

Netherlands

Tel: +31 (0) 23 568 11 00
www.industrial.omron.nl

Norway

Tel: +47 (0) 22 65 75 00
www.industrial.omron.no

Poland

Tel: +48 (0) 22 645 78 60
www.industrial.omron.pl

Portugal

Tel: +351 21 942 94 00
www.industrial.omron.pt

Russia

Tel: +7 495 648 94 50
www.industrial.omron.ru

South Africa

Tel: +27 (0)11 608 3041
www.industrial.omron.co.za

Spain

Tel: +34 913 777 900
www.industrial.omron.es

Sweden

Tel: +46 (0) 8 632 35 00
www.industrial.omron.se

Switzerland

Tel: +41 (0) 41 748 13 13
www.industrial.omron.ch

Turkey

Tel: +90 212 467 30 00
www.industrial.omron.com.tr

United Kingdom

Tel: +44 (0) 870 752 08 61
www.industrial.omron.co.uk

More Omron representatives
www.industrial.omron.eu

Automation Systems

- Programmable logic controllers (PLC) • Human machine interfaces (HMI) • Remote I/O
- Industrial PC's • Software

Motion & Drives

- Motion controllers • Servo systems • Inverters • Robots

Control Components

- Temperature controllers • Power supplies • Timers • Counters • Programmable relays
- Digital panel indicators • Electromechanical relays • Monitoring products • Solid-state relays
- Limit switches • Pushbutton switches • Low voltage switch gear

Sensing & Safety

- Photoelectric sensors • Inductive sensors • Capacitive & pressure sensors
- Cable connectors • Displacement & width-measuring sensors • Vision systems
- Safety networks • Safety sensors • Safety units/relay units • Safety door/guard lock switches