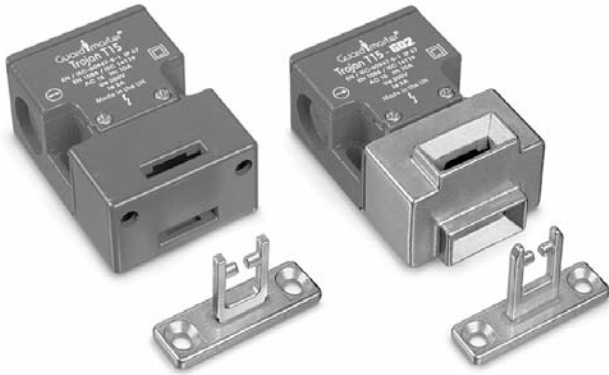


Safety Switches

Tongue Switches

Trojan™ T15



Description

The Trojan T15 is a compact universal tongue-operated (or key-operated) safety interlock switch designed to fit at the leading edge of sliding, hinged or lift-off guards. With its dual entry slots and rotatable head, movable only by releasing the cover screws, the Trojan T15 can offer four different options for actuator entry.

The Trojan T15 features a compact housing, only 75 x 52 x 32 mm (2.95 x 2.04 x 1.25 in.) and includes direct opening action contacts and a tamper-resistant mechanism. The Trojan T15 has 2 N.C. safety contacts or 1 N.C. safety contact and 1 N.O. auxiliary contact. The unit is sealed to IP67 and has three M20 conduit entries.

Operation of the switch is achieved by the insertion of the specially-profiled stainless-steel actuator which should be permanently fixed to the leading edge of the guard door. The standard T15 incorporates actuator retention force of 30N. An optional catch mechanism helps keep doors shut on vibrating machinery.

Features

- Compact size, 75 x 52 x 32 mm (2.95 x 2.05 x 1.26 in.) case
- 30 N actuator retention force
- Strong and versatile, can be used in most applications
- Contacts: 2 N.C. safety or 1 N.C. safety & 1 N.O. auxiliary
- GD2 style available for demanding applications

Specifications

Safety Ratings					
Standards	EN954-1, ISO13849-1, IEC/EN60204-1, NFPA79, EN1088, ISO14119, IEC/EN60947-5-1, ANSI B11.19, AS4024.1				
Safety Classification	Cat. 1 device per EN 954-1 dual channel interlocks suitable for Cat. 3 or 4 systems				
Certifications	CE Marked for all applicable directives, cULus, TÜV, and CCC				
Outputs					
Safety Contacts * Direct Opening Action	2 N.C.	1 N.C.			
Auxiliary Contacts	None	1 N.O.			
Thermal Current _{I_{th}}	10 A				
Rated Insulation Voltage	(Ui) 500V				
Switching Current @ Voltage, Min.	5 mA @ 5V DC				
Utilization Category					
A600/AC-15 (Ue)	(Ue)	600V	500V	240V	120V
(Ie)	(Ie)	1.2 A	1.4 A	3.0 A	6.0 A
DC-13 (Ue)	(Ue)	24V			
(Ie)	(Ie)	2 A			
Operating Characteristics					
Break Contact Force, Min.	30 N (6.70 lbf)				
Actuation Speed, Max.	160 mm (6.29 in.)/s				
Actuation Frequency, Max.	2 cycles/s				
Operating Radius, Min	175 mm (6.89 in.) [60 mm (2.36 in.) with flexible actuator]				
Operating Life @ 100 mA load	1 x 10 ⁶ operations				
Environmental					
Enclosure Type Rating	IP67				
Operating Temperature [C (F)]	-20...+80° (-4...+176°)				
Physical Characteristics					
Housing Material	UL Approved glass-filled PBT				
Actuator Material	Stainless Steel				
Weight [g (lb)]	120 (0.265)				
Color	Red				

* Usable for ISO 13849-1:2006 and IEC 62061. Data other than B10d is based on:

- Usage rate of 1op/10 mins., 24 hrs/day, 360 days/year, representing 51840 operations per year
- Mission time/Proof test interval of 38 years

* The safety contacts are described as normally closed (N.C.) i.e., with the guard closed, actuator in place (where relevant) and the machine able to be started.

Product Selection

Type	Contact		Contact Action	Actuator Type	Cat. No.			
	Safety	Auxiliary			M20 Conduit		Connector§	
					M20	1/2 inch NPT Adaptor	Connect to Distribution Box 4-Pin Micro (M12)	Connect to ArmorBlock Guard I/O 5-Pin Micro (M12)
Trojan T15 Standard	2 N.C.	—	—	Standard	440K-T11303	440K-T11267	440K-T11307	440K-V2NNSPS
				Fully-Flex	440K-T11395	440K-T11273	440K-T11384	440K-V2NNBPS
				—	440K-T11269	—	440K-T11385	—
	1 N.C.	1 N.O.	BBM	Standard	440K-T11305	440K-T11268	440K-T11386	—
				Fully-Flex	440K-T11396	440K-T11276	440K-T11387	—
				—	440K-T11270	—	440K-T11388	—
Trojan T15 GD2	2 N.C.	—	—	GD2 Standard	440K-T11463	440K-T11288	440K-T11389	440K-V2NNGPS-NG
				Fully-Flex	440K-T11397	440K-T11287	440K-T11390	—
				—	440K-T11280	—	440K-T11391	—
	1 N.C.	1 N.O.	BBM	GD2 Standard	440K-T11398	440K-T11284	440K-T11392	—
				Fully-Flex	440K-T11399	440K-T11283	440K-T11393	—
				—	440K-T11279	—	440K-T11394	—

§ For connector ratings see page 3-9.

Recommended Logic Interfaces

Description	Safety Outputs	Auxiliary Outputs	Terminals	Reset Type	Power Supply	Cat. Page No.	Cat. No.
Single-Function Safety Relays for 2 N.C. Contact Switch							
MSR127RP	3 N.O.	1 N.C.	Removable (Screw)	Monitored Manual	24V AC/DC	5-24	440R-N23135
MSR127TP	3 N.O.	1 N.C.	Removable (Screw)	Auto./Manual	24V AC/DC	5-24	440R-N23132
MSR30RT	2 N.O. Solid State	1 N.O. Solid State	Removable	Auto./Manual or Monitored Manual	24V DC	5-16	440R-N23198
Single-Function Safety Relays for 1 N.C. & 1 N.O. Contact Switch							
MSR9T	2 N.O.	1 N.C.	Fixed	Auto./Manual	24V AC/DC	5-14	440R-F23027
MSR33RT	2 N.O. Solid State	1 N.O.	Removable	Auto. or Monitored Manual	24V DC SELV	5-18	440R-F23200
Modular Safety Relays							
MSR210P Base 2 N.C. only	2 N.O.	1 N.C. and 2 PNP Solid State	Removable	Auto./Manual or Monitored Manual	24V DC from the base unit	5-74	440R-H23176
MSR220P Input Module	—	—	Removable	—	24V DC	5-78	440R-H23178
MSR310P Base	MSR300 Series Output Modules	3 PNP Solid State	Removable	Auto./Manual Monitored Manual	24V DC	5-94	440R-W23219
MSR320P Input Module	—	2 PNP Solid State	Removable	—	24V DC from the base unit	5-98	440R-W23218

Note: For additional Safety Relays connectivity, see the Safety Relays section (page 5-8) of this catalog.
 For additional Safety I/O and Safety PLC connectivity, see the Programmable Safety System section (page 5-107) of this catalog.
 For application and wiring diagrams, see the Safety Applications section (page 10-1) of this catalog.

Connection Systems

Description	Connection to Distribution Box 4-Pin Micro (M12)		Connection to ArmorBlock Guard I/O 5-Pin Micro (M12)
	2 N.C.	1 N.C. & 1 N.O.	2 N.C.
Cordset	889D-F4AC-*	889D-F4AC-*	—
Patchcord	889D-F4ACDM-*	889D-F4ACDM-*	889D-F5ACDM-*
Distribution Box	898D-4†LT-DM4	898D-P4‡KT-DM4	—
Shorting Plug	898D-41LU-DM	898D-41KU-DM	—
T-Port	898D-43LY-D4	898D-43KY-D4	—

* Replace symbol with 2 (2 m), 5 (5 m), or 10 (10 m) for standard cable lengths.
 * Replace symbol with 1 (1 m), 2 (2 m), 3 (3 m), 5 (5 m), or 10 (10 m) for standard cable lengths.
 † Replace symbol with 4 or 8 for number of ports.
Note: For additional information, see the Safety Connection System section (page 7-1) of this catalog.

3-Interlock Switches

Safety Switches
Tongue Switches
 Trojan™ T15

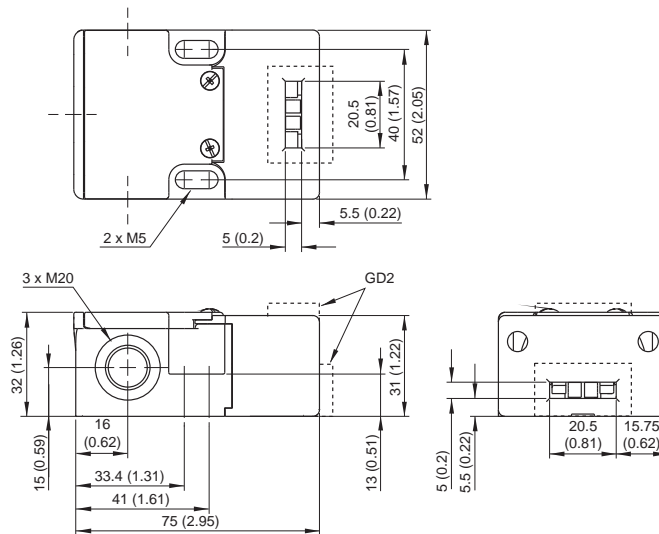
Accessories

Description	To Be Used With:	Dimensions	Cat. No.
 Standard actuator	Trojan T15 Standard Models Only	3-51	440K-A11238
 GD2 standard actuator	Trojan GD2 Models Only	3-50	440G-A27011
 GD2 flat actuator	Trojan GD2 Models Only	3-51	440K-A11112
 Alignment guide with semi-flexible actuator	Discard Alignment Guide for GD2 Models		440K-A11144
 Alignment guide with fully-flexible actuator	Discard Alignment Guide for GD2 Models	3-52	440K-A27010
 Sliding bolt actuator	Trojan GD2 Models Only	3-55	440G-A27163
 Catch and Retainer Kit	Trojan T15 Standard Models Only	3-50	440K-A11094
 Replacement Cover	All Models	—	440A-A11499
 Dust Cover	All Models	—	440K-A17180

3-Interlock Switches

Approximate Dimensions

Dimensions are shown in mm (in.). Dimensions are not intended to be used for installation purposes.



Note: 2D, 3D and electrical drawings are available on www.ab.com.

Typical Wiring Diagrams


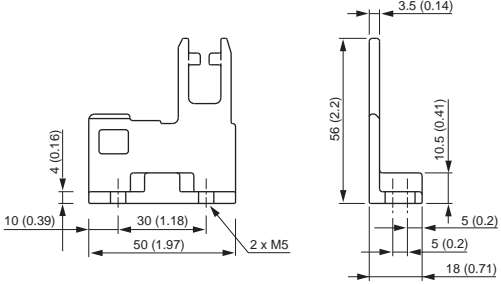

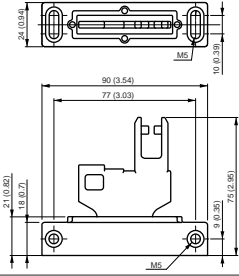

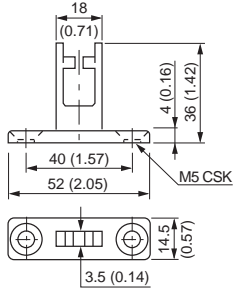

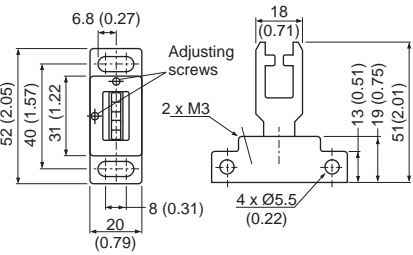

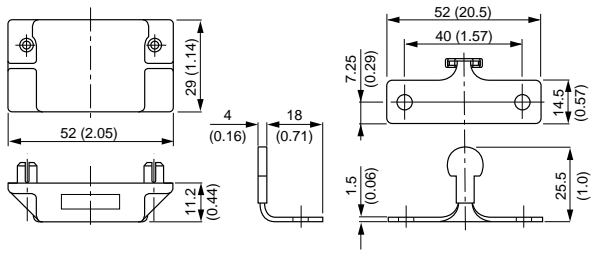
Description		1 N.C. & 1 N.O.	2 N.C.
Contact Configuration			
Contact Action □ Open ■ Closed			
4-Pin Micro (M12)			
5-Pin Micro (M12) For ArmorBlock Guard I/O		—	
Cordset 889D-F4AC-*	Brown	Safety A	Safety A
	Blue		
	White	Aux A	Safety B
	Black		

* Replace symbol with 2 (2 m), 5 (5 m) or 10 (10 m) for standard cable lengths.

Safety Switches
Accessories
Actuators

Accessories for Interlock and Guard Locking Switches


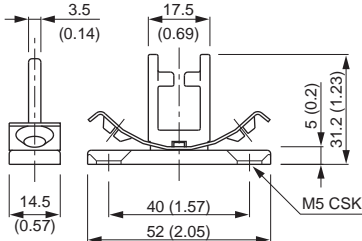

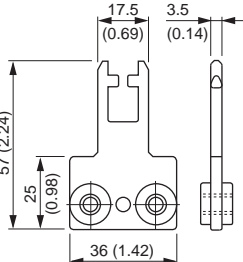

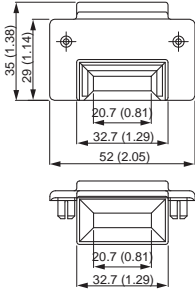

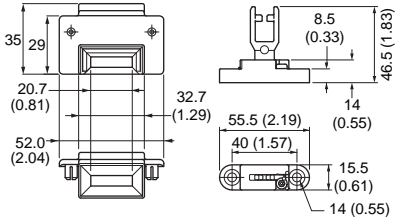

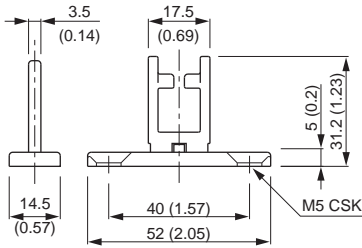

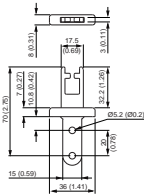
Actuators*

Item	Description	Approximate Dimensions [mm (in.)]	Cat. No.
	Standard actuator	 <p>Dimensions: 4 (0.16), 10 (0.39), 30 (1.18), 50 (1.97), 2 x M5, 3.5 (0.14), 56 (2.2), 10.5 (0.41), 5 (0.2), 5 (0.2), 18 (0.71)</p>	440G-A07136
	Fully flex actuator	 <p>Dimensions: 24 (0.94), 90 (3.54), 77 (3.03), 10 (0.39), 21 (0.83), 18 (0.71), 9 (0.35), 75 (2.95), M5</p>	440G-A07269
	GD2 standard actuator	 <p>Dimensions: 18 (0.71), 4 (0.16), 36 (1.42), 40 (1.57), 52 (2.05), M5 CSK, 14.5 (0.57), 3.5 (0.14)</p>	440G-A27011
	Fully flex actuator	 <p>Dimensions: 6.8 (0.27), 18 (0.71), 52 (2.05), 40 (1.57), 31 (1.22), Adjusting screws, 2 x M3, 13 (0.51), 19 (0.75), 51 (2.01), 8 (0.31), 4 x Ø5.5 (0.22), 20 (0.79)</p>	440G-A27143
	Catch and Retainer Kit	 <p>Dimensions: 52 (2.05), 29 (1.14), 4 (0.16), 18 (0.71), 7.25 (0.29), 52 (20.5), 40 (1.57), 14.5 (0.57), 1.5 (0.06), 25.5 (1.0), 11.2 (0.44)</p>	440K-A11094

* See page 3-8 for Switch Compatibility table.

3-Interlock Switches


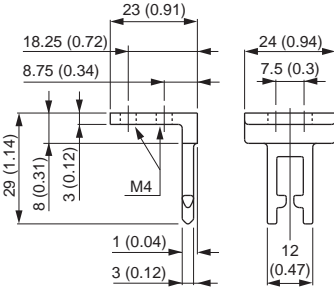

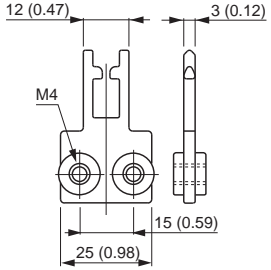

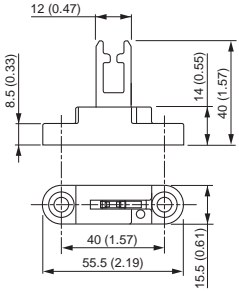

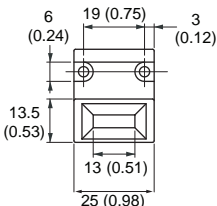
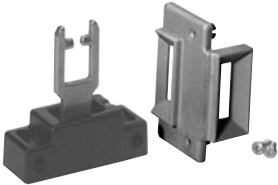
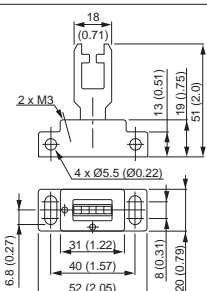
Actuators* (continued)

Item	Description	Approximate Dimensions [mm (in.)]	Cat. No.
	Standard actuator		440K-A11095
	GD2 flat actuator		440K-A11112
	Replacement Alignment Guide		440K-A11115
	Alignment guide with semi-flexible actuator		440K-A11144
	Standard actuator		440K-A11238
	Extended flat actuator		440K-A17116

* See page 3-8 for Switch Compatibility table.

Safety Switches
Accessories
 Actuators











Actuators* (continued)

Item	Description	Approximate Dimensions [mm (in.)]	Cat. No.
	90° actuator, not to be used with metal alignment guide		440K-A21006
	Flat actuator, not to be used with metal alignment guide		440K-A21014
	Metal alignment guide with semi-flexible actuator		440K-A21030
	Metal Alignment Guide		440K-A21069
	Alignment guide with fully-flexible actuator		440K-A27010







* See page 3-8 for Switch Compatibility table.

3-Interlock Switches

Beacons and Bulbs

Item	Description	Cat. No.
	Indicator, M20 Conduit Pilot Light—Amber Lens T-3 1/4 Insert Use T-3 1/4 Bulb (Sold Separately)	440A-A19001
	Indicator, M20 Conduit Pilot Light—Red Lens T-3 1/4 Insert Use T-3 1/4 Bulb (Sold Separately)	440A-A19002
	Indicator, 1/2 inch NPT Conduit Pilot Light—Amber Lens T-3 1/4 Insert Use T-3 1/4 Bulb (Sold Separately)	440A-A19005
	Indicator, 1/2 inch NPT Conduit Pilot Light—Red Lens T-3 1/4 Insert Use T-3 1/4 Bulb (Sold Separately)	440A-A19007
	Bulb, 24V for Conduit Pilot Light 2.8W T-3 1/4 Bulb, Miniature Screw Base	440A-A09056
	Bulb, 110V for Conduit Pilot Light 2.6W T-3 1/4 Bulb, Miniature Screw Base	440A-A09055
	Bulb, 240V for Conduit Pilot Light 0.75W T-3 1/4 Bulb, Miniature Screw Base	440A-A09054
	Red LED Bulb, 24V AC/DC for Conduit Pilot Light Bayonet Style Insert	800T-N319R
	Amber LED Bulb, 24V AC/DC for Conduit Pilot Light Bayonet Style Insert	800T-N319A
	Red LED Bulb, 120V AC for Conduit Pilot Light Bayonet Style Insert	800T-N320R
	Amber LED Bulb, 120V AC for Conduit Pilot Light Bayonet Style Insert	800T-N320A

Conduit Accessories















Item	Description	Cat. No.
	Blanking plug, M20 conduit	440A-A07265
	Cable Grip, M16 Conduit, Accommodates Cable Diameter 4...7 mm (0.27...0.16 in.)	440A-A09004
	Cable grip, M20 conduit, accommodates cable diameter 7...10.5 mm (0.27...0.41 in.)	440A-A09028
	Adaptor, conduit, M20 to 1/2 inch NPT, plastic	440A-A09042
	Adaptor, Conduit, 1/2 inch NPT to M16, Brass	440A-A09093
	Adaptor, Conduit, M16 to 1/2 inch NPT, Brass	440A-A09094

Safety Switches





Accessories

Replacement and Dust Covers, Emergency Override, and Flex Release


Replacement Covers

Item	Description	Cat. No.
	Elf™	440A-A33085
	Cadet™	440A-A21115
	Trojan T15	440A-A11499
	Trojan 5 Standard Models Only	440A-A11495
	Trojan T5 GD2	440A-A11496
	Trojan T6 Standard Models Only	440A-A11497
	Trojan T6 GD2	440A-A11498
	440G-MT No LED, No Override	440G-MT47120
	440G-MT LED and Override	440G-MT47123
	Cover for TLS-1 with external override key for series D and earlier	440G-A27140
	Cover for TLS-3 with external override key for series D and earlier	440G-A27142
	Cover for TLS-1 with override key attached for series D and earlier	440G-A27207
	Cover for TLS-3 with override key attached for series D and earlier	440G-A27208
	Atlas Replacement End Cap	440G-A07180

Dust Covers

Item	Applicable Switch	Cat. No.
	Elf Cadet	440K-A17182
	Trojan T15, T5, and T6 All Models MT G2 440G-MT	440K-A17180
	TLS-GD2	440K-A17183
	Atlas 5	440K-A17181


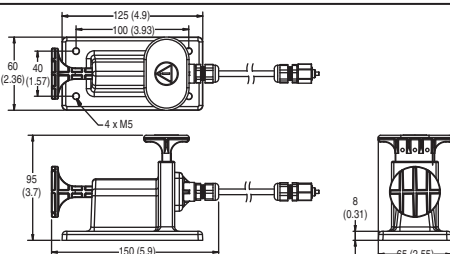
Emergency Override

Item	Description	Cat. No.
	TLS-GD2/440G-MT Solenoid Emergency Override (See Warning below.)	440G-A36026





WARNING: Do not attach the Emergency Override Key to the TLS-GD2/440G-MT switch.


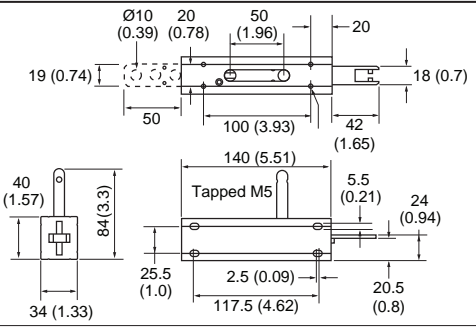

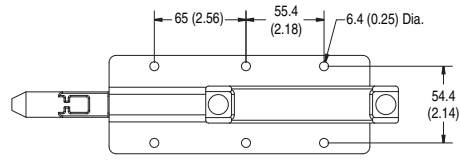
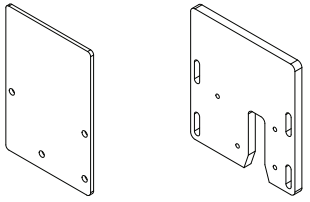
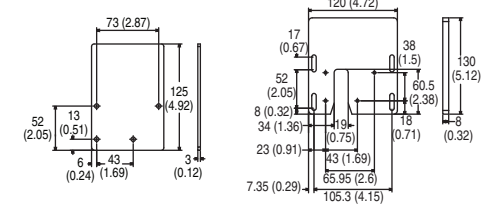
Flex Release

Item	Description	Approximate Dimensions [mm (in.)]	Cat. No.
	Flexible Release—1 m (3.28 ft) Cable		440G-A27356
	Flexible Release—3 m (9.84 ft) Cable		440G-A27357

Tools

Item	Description	Cat. No.
	Security Bit	440A-A09015
	Screwdriver Including Security Bit	440A-A09018

Door Handles

Item	Description	Dimensions [mm (in.)]	Cat. No.
	Sliding bolt actuator		440G-A27163
	Sliding Bolt		440K-AMDS
	Sliding Bolt Mounting Plate for TLS-GD2		440K-AMDSSMPB

3-Interlock Switches