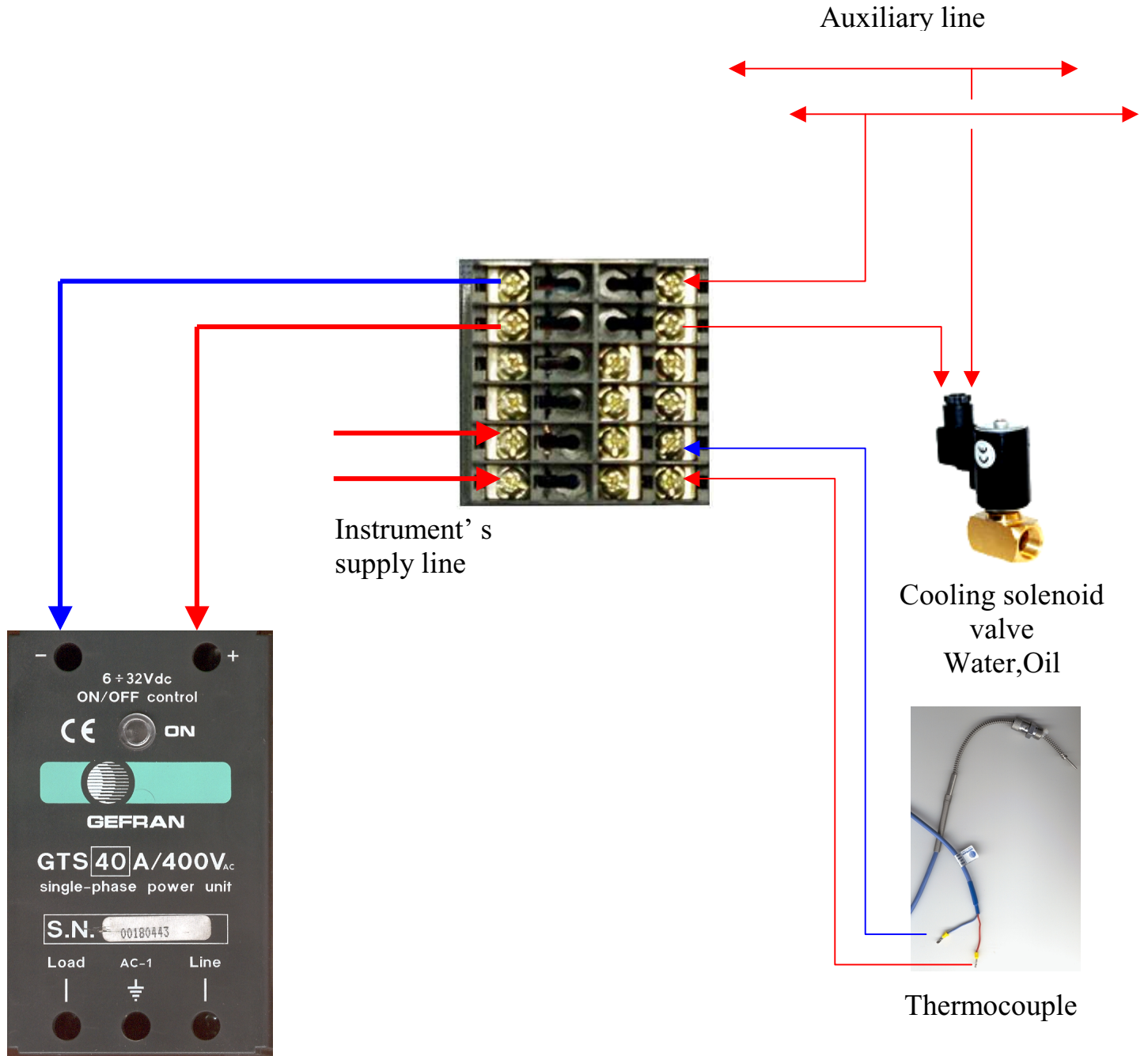
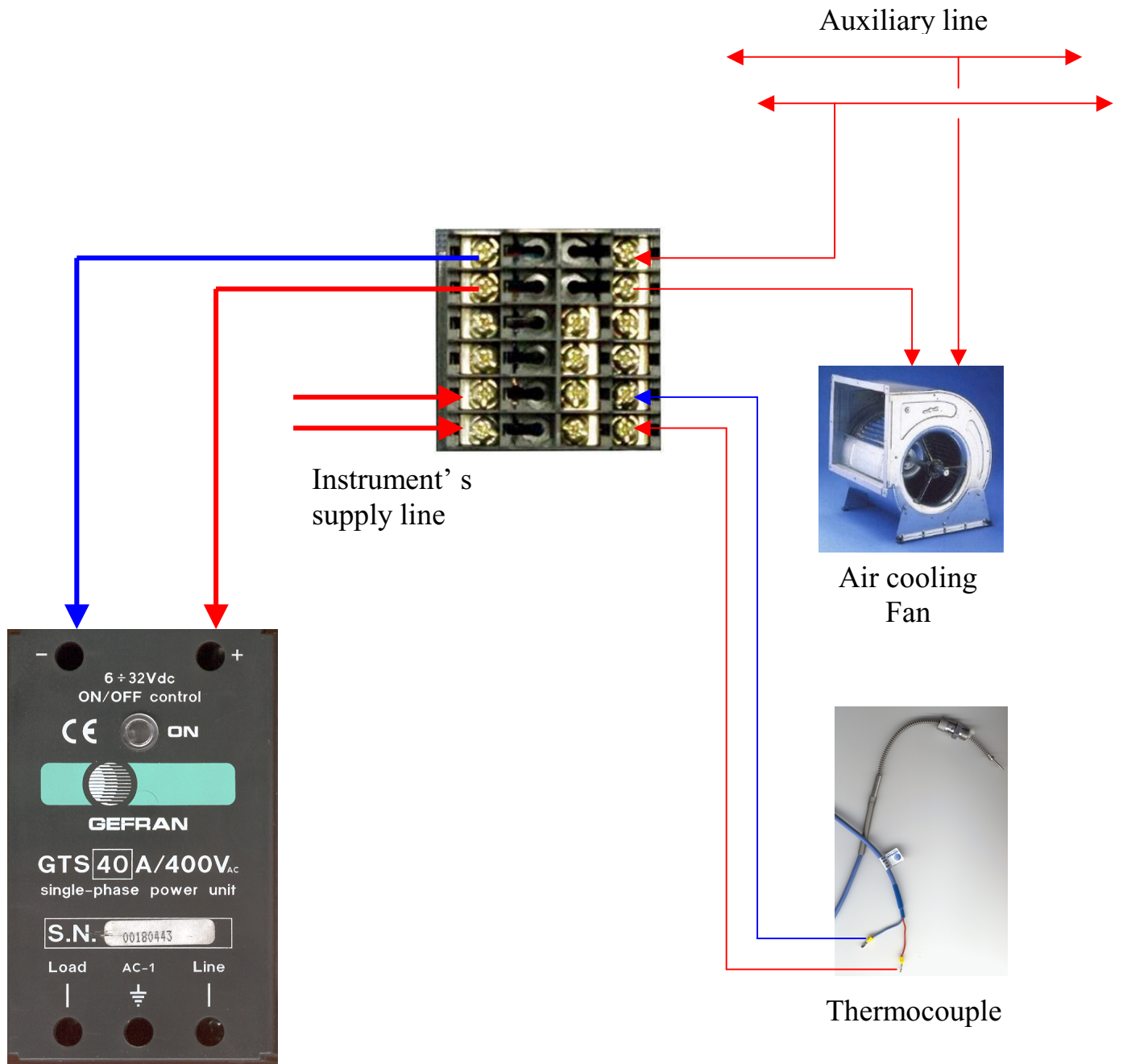


# Electrical connections 600-R-D-R-0-1

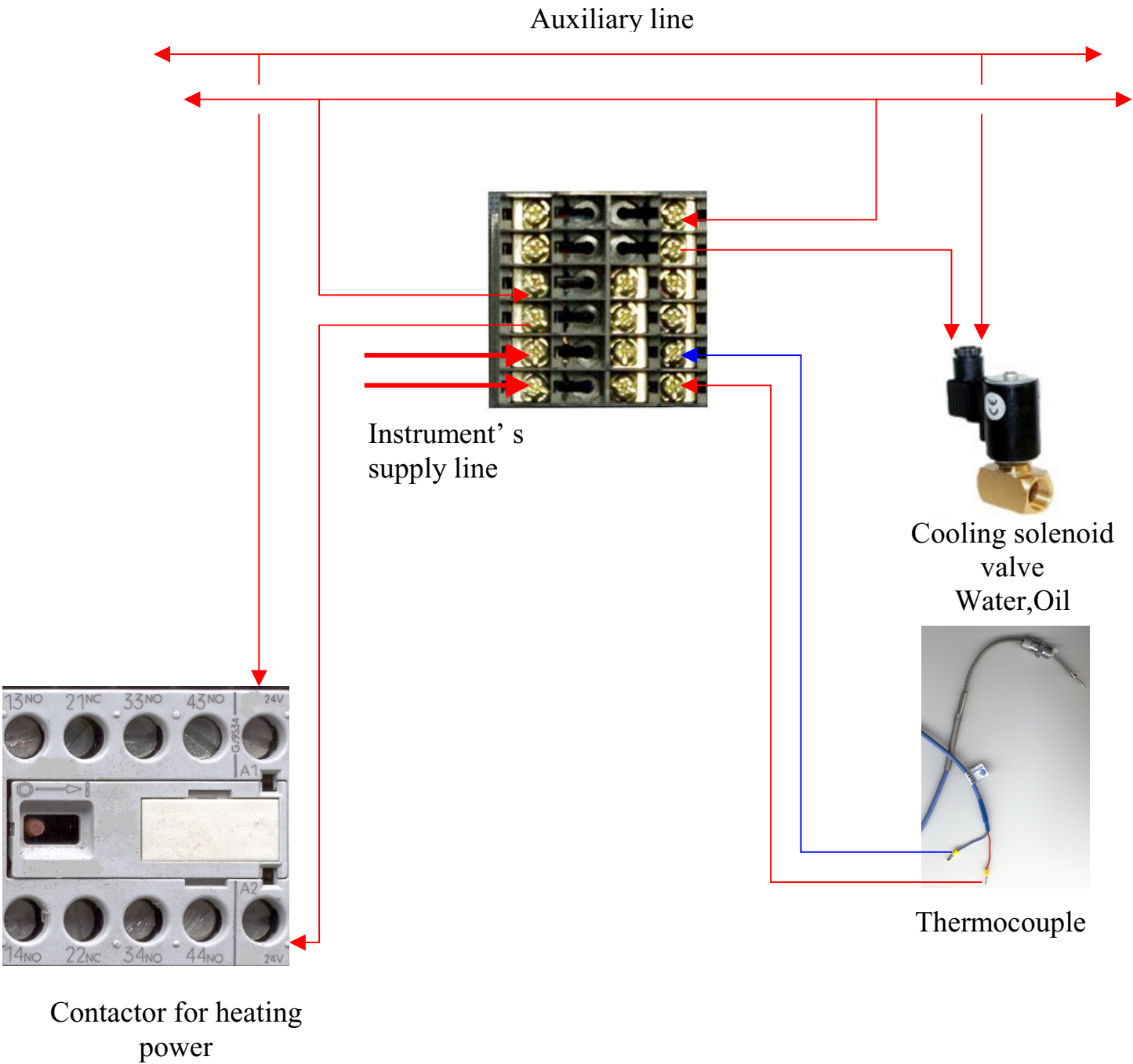
Heating control scheme with solid state relay and solenoid valve pilotage for cooling zone



# Heating control scheme with solid state relay and fan pilotage for cooling zone



# Heating control scheme with contactor and solenoid valve pilotage for cooling zone



# Heating control scheme with contactor and fan pilotage for cooling zone

