

SG-PS SERIES

The **SG Protective Stand** accessory is a protective column formed by the **SG-PS** aluminium profile and the **SG-SB** steel base. The latter is composed of two plates mounted together using 3 load springs.

The special profile, available in different lengths, ensures that the SG Protective stand can contain all the models of **SE**, **SG2**, **SG4**, **SE BODY** and **SG BODY** series and even the deviating mirrors of the **SG-DM** series.



SENSORS

HIGHLIGHTS

- One single profile with different lengths suitable for all models of SE, SG2, SG4, SE BODY and SG BODY series
- Able to contain even deviating mirrors
- Aluminium profile
- Sturdy steel base composed of 2 plates mounted together using 3 load springs
- Spherical level ball to ease mechanical alignment
- Double rear groove

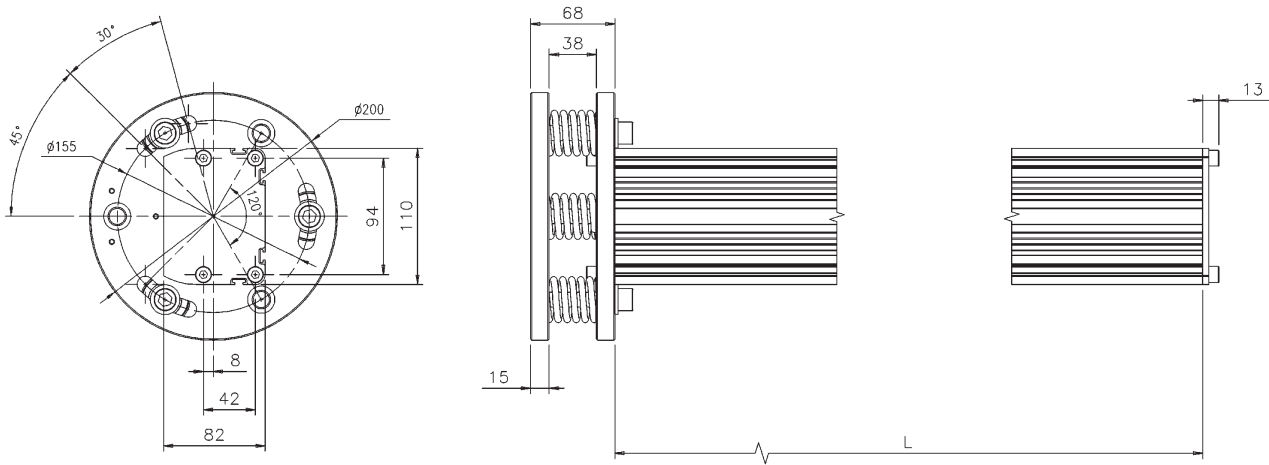
TYPICAL APPLICATIONS

The **SG Protective Stand** accessory is particularly suitable for applications in material handling plants where fork lift trucks, AGVs or other moving systems can collide with the safety light curtains.

TECHNICAL DATA

Housing material:	Powder-coated aluminium
Plate material:	Stainless steel
Load spring material:	Stainless steel
Load spring mechanical specifications:	Lo = 50 mm
	L1 = 28 ÷ 30 mm
	P1 = 1200 ÷ 1250 N
	P/f = 50 ÷ 56 N/mm

DIMENSIONS



VERSION	L (mm)
600	600
900	900
1200	1200
1650	1650
1900	1900

mm

MODEL SELECTION AND ORDER INFORMATION

MODEL	DESCRIPTION	ORDER N°
SG-PS 600	protective stand H=600mm	95ASE1610
SG-PS 900	protective stand H=900mm	95ASE1620
SG-PS 1200	protective stand H=1200mm	95ASE1630
SG-PS 1650	protective stand H=1650mm	95ASE1640
SG-PS 1900	protective stand H=1900mm	95ASE1650
SG-SB	protective stand base	95ASE1660

ACCESSORY SELECTION AND ORDER INFORMATION *

MODEL	DESCRIPTION	ORDER N°
ST-PS4-SG/SE	SG / SE mounting kit (4 pcs)	95ASE1730
ST-PS6-SG/SE	SG / SE mounting kit (6 pcs)	95ASE1740
ST-PS4-SG Body	SG Body mounting kit (4pcs)	95ASE1750
ST-PS6-SG Body	SG Body mounting kit (6pcs)	95ASE1760
ST-PS4-DM	Deviating mirror mounting kit	95ASE1770

* The SG-PS profile contains many different products and so 5 different fixing bracket kits are supplied.



The company endeavours to continuously improve and renew its products; for this reason the technical data and contents of this catalogue may undergo variations without prior notice. For correct installation and use, the company can guarantee only the data indicated in the instruction manual supplied with the products.