

**SQUARE SERIES**

There are millions of inductive sensors deployed in almost every area of factory automation. They detect metal objects contactless and are distinguished by a long operating life and extreme robustness. The Datalogic Automation inductive family provides the right solution to market requirements, offering a wide range of cylindrical and rectangular standard sensors with one or two set switching distances, available also with two, three or four wires connection models, short and standard housing and cable or connector version. Stainless steel version for both harsh environments or for FOOD applications.



**HIGHLIGHTS**

- Wide range: suitable practically for all the industrial applications
- Stainless steel versions: suitable for food applications
- 1X and 2 X operating distances: high detection reliability and precise reading
- 2, 3 or 4 wire connection: flexible connection system to meet customer applications

**APPLICATIONS**

**Automatic warehouse**



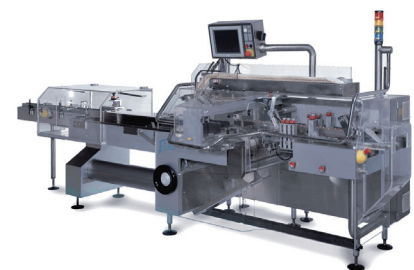
**Automotive**



**Transportation lines**



**Packaging lines**

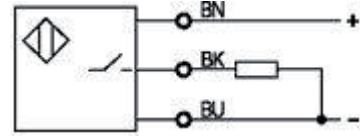


PROXIMITY SWITCHES

**10÷30 V DC - 3 WIRES NPN OR PNP OUTPUT**

- Range, 1,5mm - flush
- Cable or M8 quick connect models
- 200mA PNP
- Operation LED

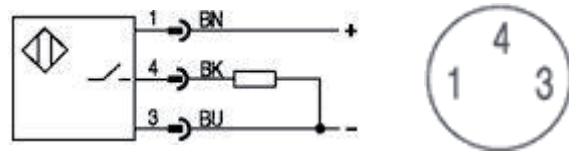
**WIRING DIAGRAMS CABLE VERSION**



**TECHNICAL DATA**

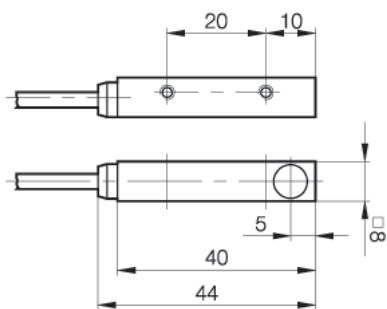
	FLUSH
NOMINAL SWITCHING DISTANCE (Sn)	1,5 mm
NOMINAL VOLTAGE	10 ÷ 30 VDC
RESIDUAL RIPPLE	≤ 15%
HYSTERESIS	≤ 15%
MAX. OUTPUT CURRENT	200 mA
RESIDUAL CURRENT	≤ 80 µA
VOLTAGE DROP (Sensor ON)	< 2.5 V
OPERATION LED	Yellow
SWITCHING FREQUENCY	1.000 Hz
START UP DELAY	≤ 10 ms
REPEATABILITY	≤ 5%
SHORT CIRCUIT PROTECTION	Present (self-resetting)
ELECTRIC PROTECTIONS	Against polarity reversal inductive loads
TEMPERATURE LIMITS	- 25 ÷ +70 °C
PROTECTION DEGREE	IP 65
CABLE LENGTH	2 m
CABLE SECTION	3 x 0.14 mm <sup>2</sup>
HOUSING MATERIAL	Gd Zn Al
WEIGHT - Cable output -	80 g
WEIGHT - M8 Connector output -	40 g

**WIRING DIAGRAMS CONNECTOR VERSION**

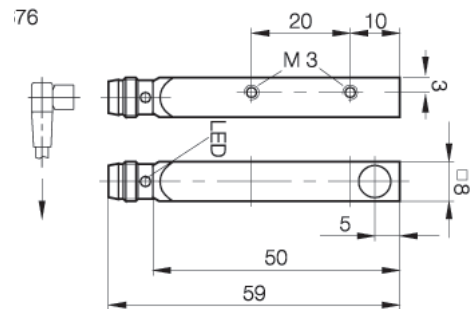


**DIMENSIONS (mm)**

CONFIGURATION WITH CABLE



CONFIGURATION WITH CONNECTOR M8



**MODEL SELECTION AND ORDER INFORMATION**

**2MT CABLE**

CODE	MODEL	RANGE	HOUSING	STEEL AISI316L	FLUSH	WIRES	NPN/PNP	NO/NC
95B060830	IS-88-Q1-03	1X	8x8 SQUARE		•	3	PNP	NO

**M8 CONNECTOR**

CODE	MODEL	RANGE	HOUSING	STEEL AISI316L	FLUSH	WIRES	NPN/PNP	NO/NC
95B060840	IS-88-Q1-S1	1X	8x8 SQUARE		•	3	PNP	NO

**MODEL DESCRIPTION**

**IS - 04 - A1 - 03**

**DIAMETER**

- 04 = 4mm
- 05 = 5mm
- 65 = 6,5mm
- 08 = 8mm
- 12 = 12mm
- 18 = 18mm
- 30 = 30mm
- 40 = 40x40mm SQUARE
- 80 = 80x80mm SQUARE
- 88 = 8x8mm SQUARE

**CONSTRUCTION**

- A= flush standard housing
- B= flush short housing
- BB= flush extra short housing
- C= non flush standard housing
- D= non flush short housing
- E= flush standard housing double range
- F= non flush standard housing double range
- G= flush short housing double range
- GG= flush extra short housing double range
- H= non flush short housing double range
- I= flush standard housing metal face
- L= non flush standard housing metal face
- M= flush short housing steel
- N= non flush short housing steel
- O= flush short housing steel double range
- P= non flush short housing steel double range
- Q= flush 8x8mm square housing
- R= flush 8x8mm square housing double range
- S= flush standard housing steel
- T= non flush standard housing steel
- U= flush standard housing steel double range
- V= non flush standard housing steel double range
- W= flush 40x40mm square housing
- X= flush 40x40mm short square housing
- Y= non flush 40x40mm square housing
- Z= non flush 40x40mm short square housing

**OUTPUT**

- 1 = 10-30 Vdc PNP NO
- 2 = 10-30 Vdc PNP NC
- 3 = 10-30 Vdc NPN NO
- 4 = 10-30 Vdc NPN NC
- 5 = 10-30 Vdc PNP NO-NC
- 6 = 10-30 Vdc NPN NO-NC
- 7 = 24-230Vac – 2 wires NO
- 8 = 24-230Vac – 2 wires NC
- 9 = 10-30 Vdc - 2 wires NO-NC
- 0 = 10-30 Vdc - 4 wires
- 11 = Analog 4-20mA
- 12 = Analog 0-10V
- 13 = Analog 0-10V/4-20mA
- 14 = Analog 0-5V/1-5mA
- 15 = 20-250Vac/Vdc-2 and 3 wires NO
- 20 = NAMUR

**CONNECTION**

- 02 = Cable 500mm
- 03 = Cable 2mt
- 04 = Cable 700mm
- S1 = M8 connector
- S2 = M12 connector
- S3 = terminal block\*
- S4 = unf 1/2"

\* only for square housing version

**Note: Not all code combinations are available. Please refer to alphabetical model index for the list of available models.**