

M5 SERIES

There are millions of inductive sensors deployed in almost every area of factory automation. They detect metal objects contactless and are distinguished by a long operating life and extreme robustness. The Datalogic Automation inductive family provides the right solution to market requirements, offering a wide range of cylindrical and rectangular standard sensors with one or two set switching distances, available also with two, three or four wires connection models, short and standard housing and cable or connector version. Stainless steel version for both harsh environments or for FOOD applications.



HIGHLIGHTS

- Wide range: suitable practically for all the industrial applications
- Stainless steel versions: suitable for food applications
- 1X and 2 X operating distances: high detection reliability and precise reading
- 2, 3 or 4 wire connection: flexible connection system to meet customer applications

APPLICATIONS

Automatic warehouse



Automotive



Transportation lines



Packaging lines

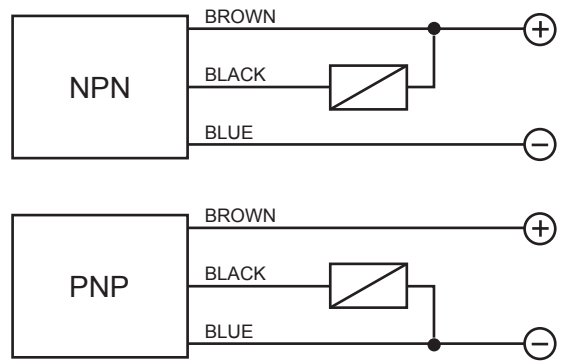


PROXIMITY SWITCHES

10÷30 V DC - 3 WIRES NPN OR PNP OUTPUT

- Range, 0,8mm - flush
- NO output
- Cable or M8 quick connect models

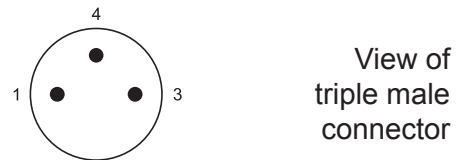
WIRING DIAGRAMS



TECHNICAL DATA

	FLUSH
NOMINAL SWITCHING DISTANCE (Sn)	0,8 mm
NOMINAL VOLTAGE	10 ÷ 30 VDC (-15 / +10%)
RESIDUAL RIPPLE	≤ 10%
HYSTERESIS	< 10%
MAX. OUTPUT CURRENT	100 mA
RESIDUAL CURRENT	≤ 10 mA
VOLTAGE DROP (Sensor ON)	< 1 V (I = 100 mA)
OPERATION LED	Present
SWITCHING FREQUENCY	2000 Hz
START UP DELAY	≤ 50 ms
REPEATABILITY	≤ 1%
SHORT CIRCUIT PROTECTION	Present (self-resetting)
ELECTRIC PROTECTIONS	Against polarity reversal inductive loads
TEMPERATURE LIMITS	- 25 ÷ +60 °C
PROTECTION DEGREE	IP 67
CABLE LENGTH	2 m
CABLE SECTION	3 x 0.14 mm ²
HOUSING MATERIAL	Stainless-steel
WEIGHT - Cable output -	50 g
WEIGHT - M8 connector output -	40 g

CONNECTION WITH CONNECTOR M8



View of triple male connector

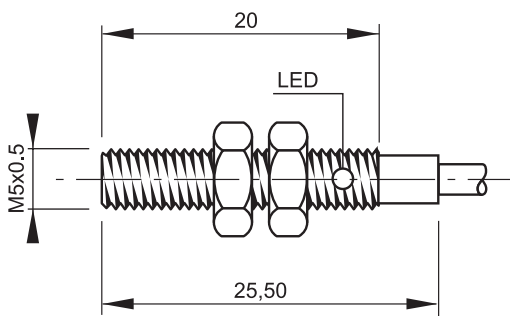
CONTACTS CONFIGURATION

Available	Contacts numbers		
	1	3	4
	BROWN	BLUE	BLACK
NPN/PNP	+	-	NO/NC

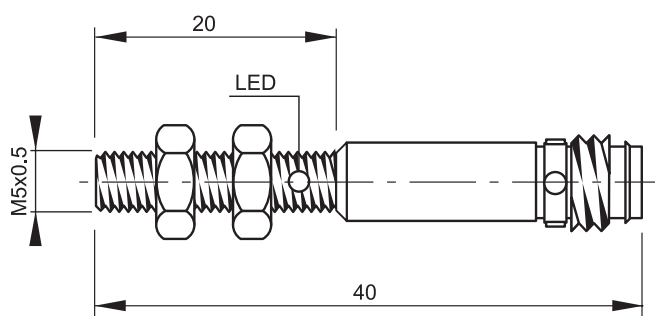


DIMENSIONS (mm)

CONFIGURATION WITH CABLE



CONFIGURATION WITH CONNECTOR M8



MODEL SELECTION AND ORDER INFORMATION

2MT CABLE

CODE	MODEL	RANGE	HOUSING	STEEL AISI304	FLUSH	WIRES	NPN/PNP	NO/NC
95B061021	IS-05-A3-03	1X	STANDARD		•	3	NPN	NO
95B061041	IS-05-A1-03	1X	STANDARD		•	3	PNP	NO

M8 CONNECTOR

CODE	MODEL	RANGE	HOUSING	STEEL AISI304	FLUSH	WIRES	NPN/PNP	NO/NC
95B061031	IS-05-A3-S1	1X	STANDARD		•	3	NPN	NO
95B061051	IS-05-A1-S1	1X	STANDARD		•	3	PNP	NO

MODEL DESCRIPTION

IS - 04 - A1 - 03

DIAMETER

04 = 4mm
 05 = 5mm
 65 = 6,5mm
 08 = 8mm
 12 = 12mm
 18 = 18mm
 30 = 30mm
 40 = 40x40mm SQUARE
 80 = 80x80mm SQUARE
 88 = 8x8mm SQUARE

CONSTRUCTION

A= flush standard housing
 B= flush short housing
 BB= flush extra short housing
 C= non flush standard housing
 D= non flush short housing
 E= flush standard housing double range
 F= non flush standard housing double range
 G= flush short housing double range
 GG= flush extra short housing double range
 H= non flush short housing double range
 I= flush standard housing metal face
 L= non flush standard housing metal face
 M= flush short housing steel
 N= non flush short housing steel
 O= flush short housing steel double range
 P= non flush short housing steel double range
 Q= flush 8x8mm square housing
 R= flush 8x8mm square housing double range
 S= flush standard housing steel
 T= non flush standard housing steel
 U= flush standard housing steel double range
 V= non flush standard housing steel double range
 W= flush 40x40mm square housing
 X= flush 40x40mm short square housing
 Y= non flush 40x40mm square housing
 Z= non flush 40x40mm short square housing

OUTPUT

1 = 10-30 Vdc PNP NO
 2 = 10-30 Vdc PNP NC
 3 = 10-30 Vdc NPN NO
 4 = 10-30 Vdc NPN NC
 5 = 10-30 Vdc PNP NO-NC
 6 = 10-30 Vdc NPN NO-NC
 7 = 24-230Vac – 2 wires NO
 8 = 24-230Vac – 2 wires NC
 9 = 10-30 Vdc - 2 wires NO-NC
 0 = 10-30 Vdc - 4 wires
 11 = Analog 4-20mA
 12 = Analog 0-10V
 13 = Analog 0-10V/4-20mA
 14 = Analog 0-5V/1-5mA
 15 = 20-250Vac/Vdc-2 and 3 wires NO
 20 = NAMUR

CONNECTION

02 = Cable 500mm
 03 = Cable 2mt
 04 = Cable 700mm
 S1 = M8 connector
 S2 = M12 connector
 S3 = terminal block*
 S4 = unf 1/2"

* only for square housing version

Note: Not all code combinations are available. Please refer to alphabetical model index for the list of available models.