
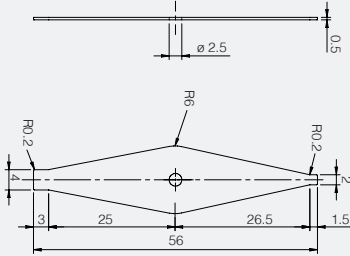





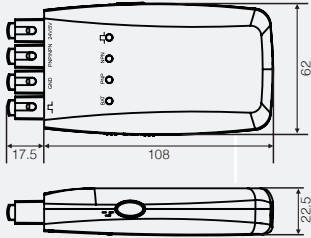

Installation accessories




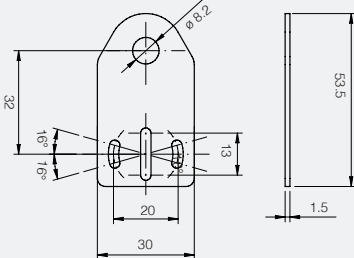
ST 82 / Screwdriver

product	suitable for	dimensions (mm)	descriptions / installation
	Sensors with trimmer adjustment		Screwdriver accessory for trimmer adjustment


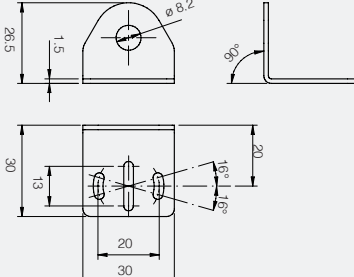
ST 300D / Accessory for testing DC sensors

product	suitable for	dimensions (mm)	descriptions / installation
	Accessories suitable for photoelectric, proximity and ultrasonic sensors		Accessory for testing DC sensors  The product contains a non removable Li-ion battery. For the delivery of the product, follow National and IATA regulations.

ST 08-A / Metal axial mount bracket for M08 cylindrical sensors


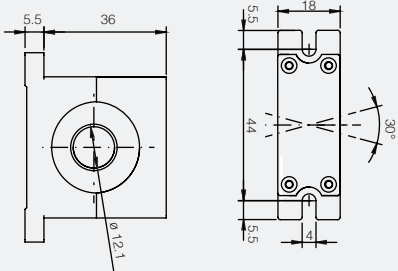
product	suitable for	dimensions (mm)	descriptions / installation
	Accessories suitable for M08 cylindrical sensors		Mounting with M3 screws

ST 08-C / Metal right angle mount bracket for M08 cylindrical sensors


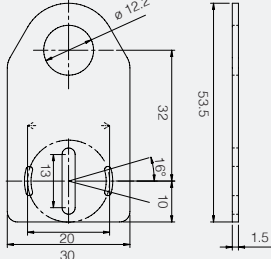
product	suitable for	dimensions (mm)	descriptions / installation
	Accessories suitable for M08 cylindrical sensors		Mounting with M3 screws




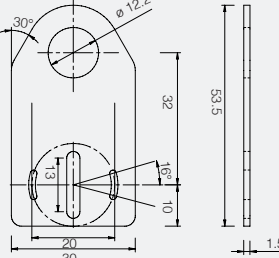
ST 04/ Plastic swing bracket for M12 cylindrical sensors

product	suitable for	dimensions (mm)	descriptions / installation
	Accessories suitable for M12 cylindrical sensors		Mounting with M4 screws


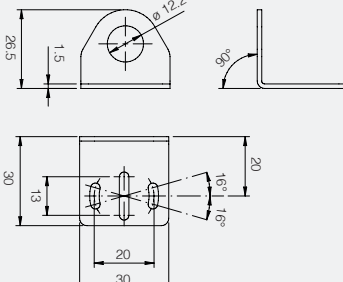
ST 12-A / Metal axial mount bracket for M12 cylindrical sensors

product	suitable for	dimensions (mm)	descriptions / installation
	Accessories suitable for M12 cylindrical sensors		Mounting with M3 screws

ST 12-A7W / Stainless steel AISI316L (DIN 1.4404) axial mount bracket for M12 cylindrical sensors


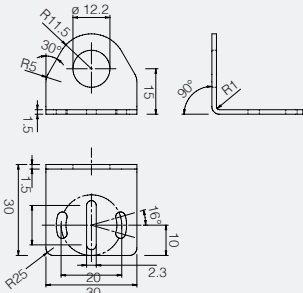
product	suitable for	dimensions (mm)	descriptions / installation
	Accessories suitable for M12 cylindrical sensors		Mounting with M3 screws

ST 12-C / Metal right angle mount bracket for M12 cylindrical sensors


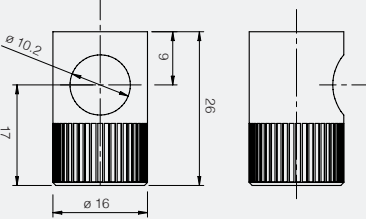
product	suitable for	dimensions (mm)	descriptions / installation
	Accessories suitable for M12 cylindrical sensors		Mounting with M3 screws




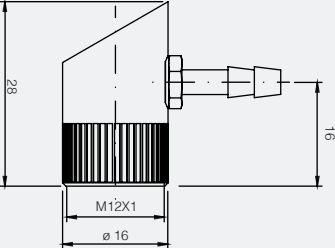
ST 12-C7W / Stainless steel AISI 316L (DIN 1.4404) right angle mount bracket for M12 cylindrical sensors

product	suitable for	dimensions (mm)	descriptions / installation
	Accessories suitable for M12 cylindrical sensors		Stainless steel AISI316L (DIN 1.4404) right angle mount bracket for M12 cylindrical sensors. Mounting with M3 screws


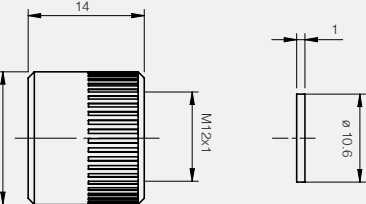
ST 37 / Right angle beam adapter for M12 cylindrical photoelectric sensors

product	suitable for	dimensions (mm)	descriptions / installation
	Accessories suitable for M12 cylindrical photoelectric sensors		Right angle beam adapter

ST 36 / Antidust front for M12 cylindrical photoelectric sensors


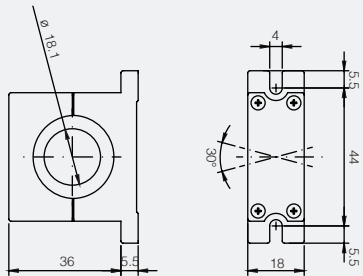
product	suitable for	dimensions (mm)	descriptions / installation
	Accessories suitable for M12 cylindrical photoelectric sensors		Antidust front

ST 60 / Protective front for M12 cylindrical photoelectric sensors


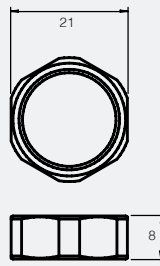
product	suitable for	dimensions (mm)	descriptions / installation
	Accessories suitable for M12 cylindrical photoelectric sensors		Protective front




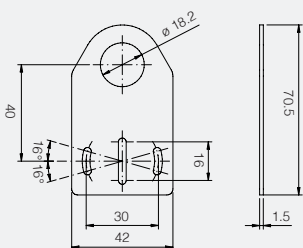
ST 02 / Plastic swing bracket for M18 cylindrical sensors

product	suitable for	dimensions (mm)	descriptions / installation
	<p>Accessories suitable for M18 cylindrical sensors. To be used with ST 29 metal ring nuts.</p>		<p>Mounting with M4 screws</p>


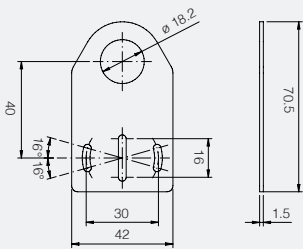
ST 29 / M18 metal ring nuts for mounting of M18 cylindrical sensors on ST 02 swing bracket

product	suitable for	dimensions (mm)	descriptions / installation
	<p>Accessories suitable for M18 cylindrical sensors</p>		<p>Fixing with spanner of 21 mm</p>


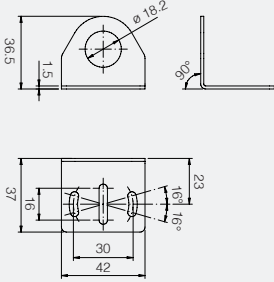
ST 18-A/ Metal axial mount bracket for M18 cylindrical sensors

product	suitable for	dimensions (mm)	descriptions / installation
	<p>Accessories suitable for M18 cylindrical sensors</p>		<p>Mounting with M4 screws</p>


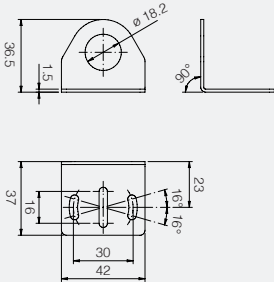
ST 18-A7W / Stainless steel AISI316L (DIN 1.4404) axial mount bracket for M18 cylindrical sensors

product	suitable for	dimensions (mm)	descriptions / installation
	<p>Accessories suitable for M18 cylindrical sensors</p>		<p>Mounting with M4 screws</p>


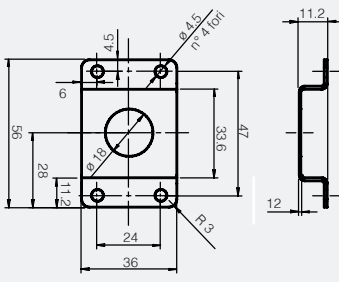
**ST 18-C / Metal right angle mount bracket for M18 cylindrical sensors**

product	suitable for	dimensions (mm)	descriptions / installation
	Accessories suitable for M18 cylindrical sensors		Mounting with M4 screws


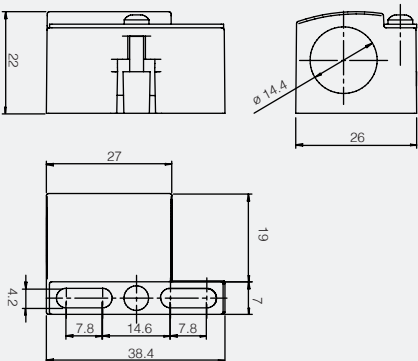
ST 18-C7W / Stainless steel AISI316L (DIN 1.4404) right angle mount bracket for M18 cylindrical sensors

product	suitable for	dimensions (mm)	descriptions / installation
	Accessories suitable for M18 cylindrical sensors		Mounting with M4 screws


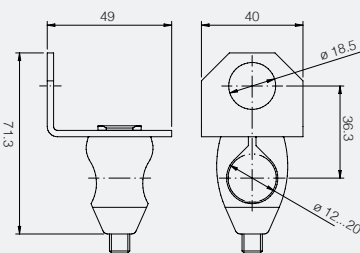
ST 18-V / Metal right angle mount bracket for M18 cylindrical sensors

product	suitable for	dimensions (mm)	descriptions / installation
	Accessories suitable for M18 cylindrical sensors		Mounting with M4 screws


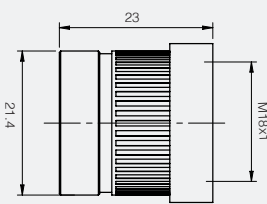
ST 18-S / Stainless steel AISI316L (DIN 1.4404) right angle mount bracket for M18 cylindrical sensors

product	suitable for	dimensions (mm)	descriptions / installation
	Accessories suitable for M18 cylindrical sensors		Mounting with M4 screws


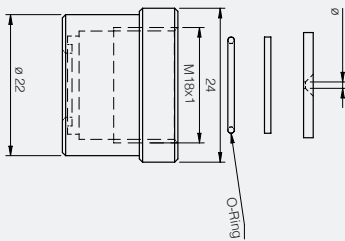
STC 18 / Mounting bracket for M18 cylindrical sensors

product	suitable for	dimensions (mm)	descriptions / installation
	Accessories suitable for M18 cylindrical sensors		Metal right angle mount bracket


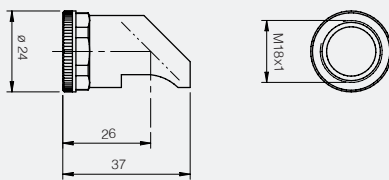
STF-12 STF-25 STF-50 / Focusing device for M18 cylindrical photoelectric sensors SAT – LDLU – LTB – SST – MST series

product	suitable for	dimensions (mm)	descriptions / installation
	Accessories suitable for M18 cylindrical photoelectric sensors		Focal distance for: STF-12 → 12 mm STF-25 → 25 mm STF-50 → 50 mm

STOS-1 STOS-2 STOS-3 STOS-4 STOS-6 STOS-8 / Shutter for M18 cylindrical photoelectric sensors

product	suitable for	dimensions (mm)	descriptions / installation
	Accessories suitable for M18 cylindrical photoelectric sensors		Shutter


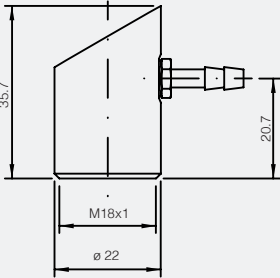
ST 03 / Right angle beam adapter for M18 cylindrical photoelectric sensors

product	suitable for	dimensions (mm)	descriptions / installation
	Accessories suitable for M18 cylindrical photoelectric sensors		Right angle beam adapter

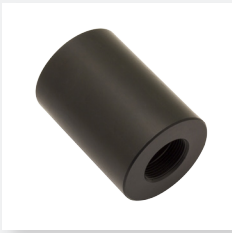
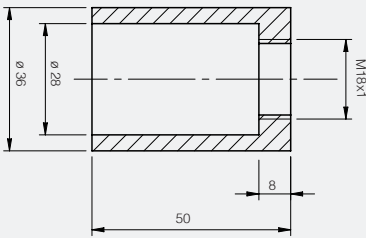





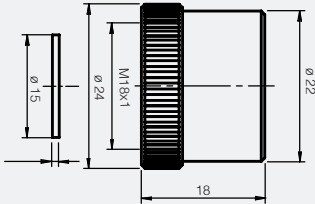
ST 30 / Antidust front for M18 cylindrical photoelectric sensors

product	suitable for	dimensions (mm)	descriptions / installation
	Accessories suitable for M18 cylindrical photoelectric sensors		Antidust front

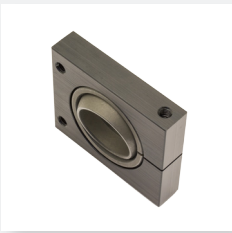
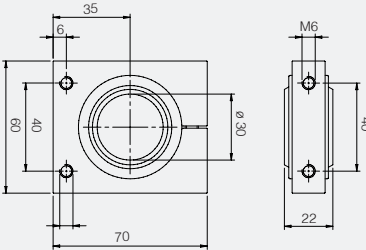
ST 32 / Anti-condensation front for M18 cylindrical photoelectric sensors

product	suitable for	dimensions (mm)	descriptions / installation
	Accessories suitable for M18 cylindrical photoelectric sensors		Anti-condensation front

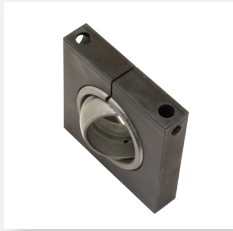
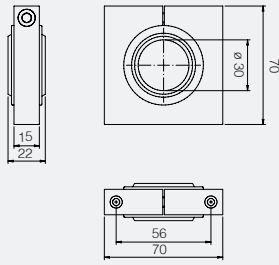
ST 50 / Protective front for M18 cylindrical photoelectric sensors

product	suitable for	dimensions (mm)	descriptions / installation
	Accessories suitable for M18 cylindrical photoelectric sensors		Protective front


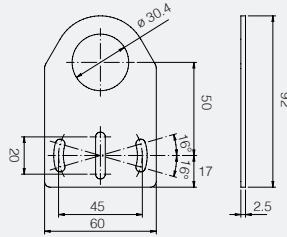
ST 13 / Metal swing bracket with threaded holes for M30 cylindrical sensors

product	suitable for	dimensions (mm)	descriptions / installation
	Accessories suitable for M30 cylindrical sensors		Mounting with M6 screws from beneath the surface or through the wall


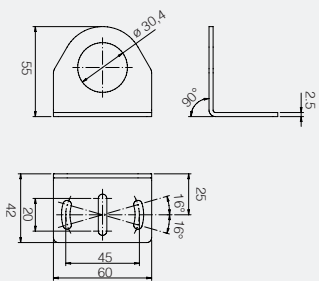
ST 14 / Metal swing bracket with threaded holes for M30 cylindrical sensors

product	suitable for	dimensions (mm)	descriptions / installation
	Accessories suitable for M30 cylindrical sensors		Mounting with M6 screws from upper side


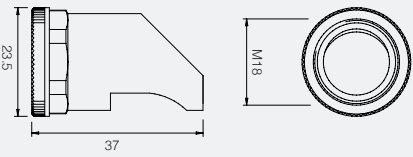
ST 30-A / Metal axial mount bracket for M30 cylindrical sensors

product	suitable for	dimensions (mm)	descriptions / installation
	Accessories suitable for M30 cylindrical sensors		Mounting with M5 screws

ST 30-C / Metal right angle mount bracket for M30 cylindrical sensors

product	suitable for	dimensions (mm)	descriptions / installation
	Accessories suitable for M30 cylindrical sensors		Mounting with M5 screws

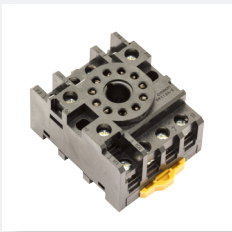
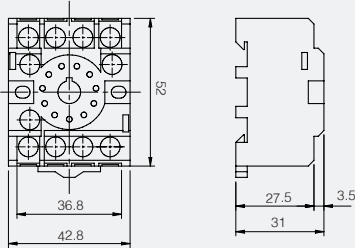
ST 03-U / Beam deflector for M18 ultrasonic cylindrical sensors

product	suitable for	dimensions (mm)	descriptions / installation
	Accessories suitable for M18 ultrasonic cylindrical sensors		Plastic beam deflector


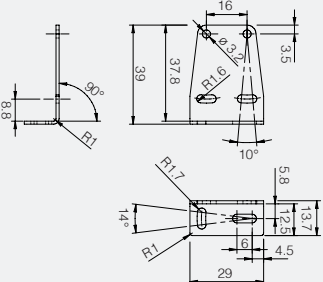





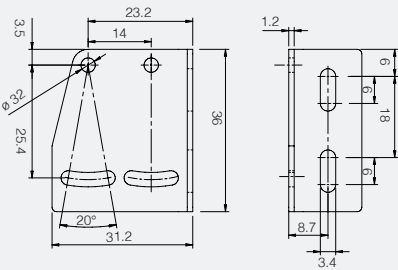
STZ3 / Undecal socket to be used together with UR control unit series

product	suitable for	dimensions (mm)	descriptions / installation
	UR control unit series		Undecal socket


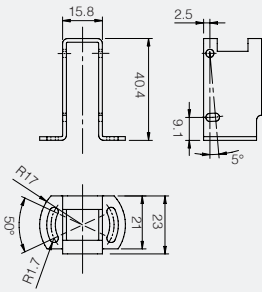
ST 101 / L shape vertical mounting bracket for miniaturized rectangular sensors QM series

product	suitable for	dimensions (mm)	descriptions / installation
	Various accessories		L shape vertical mounting bracket


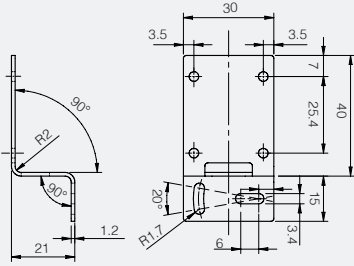
ST 102 / L shape side mounting bracket for miniaturized rectangular sensors QM series

product	suitable for	dimensions (mm)	descriptions / installation
	Various accessories		<ul style="list-style-type: none"> +/- 10° tip Stainless steel

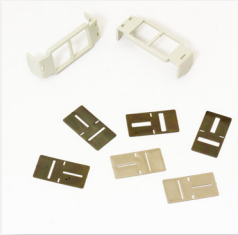
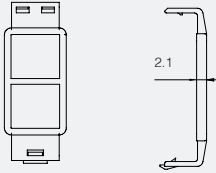
ST 103 ⁽¹⁾ / Vertical mounting bracket with protective cover for miniaturized rectangular sensors QM series

product	suitable for	dimensions (mm)	descriptions / installation
	Various accessories		<ul style="list-style-type: none"> +/- 25° swivel Stainless steel

ST 104⁽¹⁾ / Horizontal mounting bracket with protective cover for miniaturized rectangular sensors QM series

product	suitable for	dimensions (mm)	descriptions / installation
	Various accessories		<ul style="list-style-type: none"> +/- 10° swivel Stainless steel

STQMO / Vertical and horizontal diaphragms (0,5-1-2) for miniaturized rectangular sensors QM series

product	suitable for	dimensions (mm)	descriptions / installation																
	Various accessories		<p>Packing units 2</p> <table border="1"> <thead> <tr> <th>dia.</th> <th>0,5</th> <th>1</th> <th>2</th> </tr> </thead> <tbody> <tr> <td>Sn (EG=1)</td> <td>1,5 m</td> <td>2m</td> <td>4,5 m</td> </tr> <tr> <td>Sn (EG=2)</td> <td>1 m</td> <td>1,5 m</td> <td>4 m</td> </tr> <tr> <td>Min Ø</td> <td>0,8 mm</td> <td>1,5 mm</td> <td>2,5 mm</td> </tr> </tbody> </table>	dia.	0,5	1	2	Sn (EG=1)	1,5 m	2m	4,5 m	Sn (EG=2)	1 m	1,5 m	4 m	Min Ø	0,8 mm	1,5 mm	2,5 mm
dia.	0,5	1	2																
Sn (EG=1)	1,5 m	2m	4,5 m																
Sn (EG=2)	1 m	1,5 m	4 m																
Min Ø	0,8 mm	1,5 mm	2,5 mm																

STQMS⁽²⁾ / 20 Cross-slotted screws, 20 Hexagon nuts, 20 Lockwashers Ø3 for miniaturized rectangular sensors QM series

product	suitable for	dimensions (mm)	descriptions / installation
	Various accessories		Sold in lots for 10 sensors ⁽²⁾

⁽¹⁾ Can be used only for cable or pig-tail exit models

⁽²⁾ Components not present in standard sensors packaging

extension ST 86 for BX80

description

The kit is composed from two extensions in nickel-plated brass M18. These extensions allow to install barriers BX80 in substitution to the AX80 without to modify the wiring and the mechanical assembly, in how much through the ST 86 is possible to maintain the alignment optical of the AX80

