

Connectors

available models

connectors with PVC cable

plug	wires	led	axial	right angle	length (m)	
M8	3		CD08/0A-***A1	CD08/0A-***C1	2 - 5 - 10	
	4		CD08/0B-***A1	CD08/0B-***C1		
M12	3 NO		CD12M/AA-***A1	CD12M/AA-***C1		
	4		CD12M/0B-***A1	CD12M/0B-***C1		
	3 NO-NPN	2 led		CD12M/NA-***C1		
	3 NO-NPN			CD12M/PA-***C1		
	4 NO/NC-PNP			CD12M/VB-***C1		
	4 DECOU [®]			CD12M/DB-***C1		
M12 IP69K	4	-		CD12F/0B-050A1	CD12F/0B-050C1	5
		3		-	CD12F/LB-050C1	

available models

connectors with PUR cable

plug	wires	led	axial	right angle	length (m)
M8	3		CD08/0A-***A5	CD08/0A-***C5	2 - 5 - 10
	4		CD08/0B-***A5	CD08/0B-***C5	
M12	3		CD12M/AA-***A5	CD12M/AA-***C5	
	4		CD12M/0B-***A5	CD12M/0B-***C5	
	4	3	-	CD12M/LB-***C5	5 - 10
	5		CD12M/0H-***A5	CD12M/0H-***C5	2 - 5 - 10
	8		-	5 - 10 - 15	
M12 (AC)	3		CD12M/AC-050A5	CD12M/AC-050C5	5

available models

connectors without cable

plug	type	connection	wires	axial	right angle
M8	male	spring terminals	3	CV08/1A-00A	-
			4	CV08/1B-00A	-
		screw terminals	3	CV08/0A-00A	-
			4	CV08/0B-00A	-
	female	spring terminals	3	CL08/1A-00A	-
			4	CL08/1B-00A	-
		screw terminals	3	CL08/0A-00A	-
			4	CL08/0B-00A	-
M12	male	screw terminals	4	CV12/0B-00A	CV12/0B-00B
	female			CL12/0B-00A	CL12/0B-00C
	male		5	CV12/0H-00A	CV12/0H-00C
	female			CL12/0H-00A	CL12/0H-00C

available models

in line plug connectors

plug	type	connection	wires	model	cable diameter
M8	male	in line	4	CDV-37	ø 3,75 mm
				CDV-47	ø 4,7 mm
				CDV-50	ø 5 mm
				CDV-55	ø 5,5 mm

available models

extension cable

plug	wires	female plug	male plug	model	length (m)
M8	3	axial	axial	CDP08/0A-***AA	(*)
M12	4			CDP08/0B-***AA	
				CDP12/0B-***AA	

(*)= Please contact M.D. Sales Department for cable length and possible minimum orderable quantity.



available models

extended temperature connectors (-25°C...+105°C)

connector	nr. of wires	led	axial	right angle	length (m)
M12	4	-	CD12M/0B-***A1HT	CD12M/0B-***C1HT	5 - 10

available models

connectors with PVC cable and cCSAus certification

connector	nr. of wires	led	axial	right angle	length (m)
M8	3	-	CD08/0A-***A1US	CD08/0A-***C1US	5 - 10 - 15
	4		CD08/0B-***A1US	CD08/0B-***C1US	
M12			CD12/0B-***A1US	CD12/0B-***C1US	

available models

connectors with PUR cable and cCSAus certification

connector	nr. of wires	led	axial	right angle	length (m)
M8	3	-	CD08/0A-***A5US	CD08/0A-***C5US	5 - 10 - 15
	4		CD08/0B-***A5US	CD08/0B-***C5US	
M12			CD12/0B-***A5US	CD12/0B-***C5US	



M8 PVC																																						
product	dimensions (mm)	specifications																																				
		<table border="1"> <thead> <tr> <th></th> <th>CD08/0A-****1</th> <th>CD08/0B-****1</th> </tr> </thead> <tbody> <tr> <td>Nominal voltage</td> <td>Max. 60 V ac/dc</td> <td>Max. 30 V ac/dc</td> </tr> <tr> <td>Nominal current</td> <td colspan="2">4 A</td> </tr> <tr> <td>Rated impulse voltage</td> <td colspan="2">0,8 kV</td> </tr> <tr> <td>Protection degree</td> <td colspan="2">IEC IP67</td> </tr> <tr> <td>Jacket material</td> <td>PVC IEC 332-1</td> <td>PVC CEI 2022 II OR</td> </tr> <tr> <td>Wire isolation</td> <td colspan="2">PVC</td> </tr> <tr> <td>Conductors</td> <td>3</td> <td>4</td> </tr> <tr> <td>Conductors section</td> <td colspan="2">0,25 mm² (32 x 0,10 mm²)</td> </tr> <tr> <td>Outer diameter</td> <td colspan="2">Ø 4.5 mm ± 5%</td> </tr> <tr> <td>Tightening torque</td> <td colspan="2">0,4 Nm</td> </tr> <tr> <td>Working temperature</td> <td colspan="2">-10°C...+80°C (for moved cable) -25°C...+80°C (for permanently cable)</td> </tr> </tbody> </table>		CD08/0A-****1	CD08/0B-****1	Nominal voltage	Max. 60 V ac/dc	Max. 30 V ac/dc	Nominal current	4 A		Rated impulse voltage	0,8 kV		Protection degree	IEC IP67		Jacket material	PVC IEC 332-1	PVC CEI 2022 II OR	Wire isolation	PVC		Conductors	3	4	Conductors section	0,25 mm ² (32 x 0,10 mm ²)		Outer diameter	Ø 4.5 mm ± 5%		Tightening torque	0,4 Nm		Working temperature	-10°C...+80°C (for moved cable) -25°C...+80°C (for permanently cable)	
			CD08/0A-****1	CD08/0B-****1																																		
Nominal voltage	Max. 60 V ac/dc	Max. 30 V ac/dc																																				
Nominal current	4 A																																					
Rated impulse voltage	0,8 kV																																					
Protection degree	IEC IP67																																					
Jacket material	PVC IEC 332-1	PVC CEI 2022 II OR																																				
Wire isolation	PVC																																					
Conductors	3	4																																				
Conductors section	0,25 mm ² (32 x 0,10 mm ²)																																					
Outer diameter	Ø 4.5 mm ± 5%																																					
Tightening torque	0,4 Nm																																					
Working temperature	-10°C...+80°C (for moved cable) -25°C...+80°C (for permanently cable)																																					

M8 PUR																																						
product	dimensions (mm)	specifications																																				
		<table border="1"> <thead> <tr> <th></th> <th>CD08/0A-****5</th> <th>CD08/0B-****5</th> </tr> </thead> <tbody> <tr> <td>Nominal voltage</td> <td>Max. 60 V ac/dc</td> <td>Max. 30 V ac/dc</td> </tr> <tr> <td>Nominal current</td> <td colspan="2">4 A</td> </tr> <tr> <td>Rated impulse voltage</td> <td colspan="2">1.5 kV</td> </tr> <tr> <td>Protection degree</td> <td colspan="2">IEC IP67</td> </tr> <tr> <td>Jacket material</td> <td colspan="2">PUR</td> </tr> <tr> <td>Wire isolation</td> <td colspan="2">PVC</td> </tr> <tr> <td>Conductors</td> <td>3</td> <td>4</td> </tr> <tr> <td>Conductors section</td> <td>0,25 mm²(32x0,10 mm²)</td> <td>0,25 mm²(32x0,10 mm²)</td> </tr> <tr> <td>Outer diameter</td> <td>Ø 3.75 mm±0.2mm</td> <td>Ø 4.7 mm ± 0,2mm</td> </tr> <tr> <td>Tightening torque</td> <td colspan="2">0.4 Nm</td> </tr> <tr> <td>Working temperature</td> <td>-5°C...+80°C (for moved cable) -20°C...+80°C (for permanently cable)</td> <td>-5°C...+80°C (for moved cable) -30°C...+70°C (for permanently cable)</td> </tr> </tbody> </table>		CD08/0A-****5	CD08/0B-****5	Nominal voltage	Max. 60 V ac/dc	Max. 30 V ac/dc	Nominal current	4 A		Rated impulse voltage	1.5 kV		Protection degree	IEC IP67		Jacket material	PUR		Wire isolation	PVC		Conductors	3	4	Conductors section	0,25 mm ² (32x0,10 mm ²)	0,25 mm ² (32x0,10 mm ²)	Outer diameter	Ø 3.75 mm±0.2mm	Ø 4.7 mm ± 0,2mm	Tightening torque	0.4 Nm		Working temperature	-5°C...+80°C (for moved cable) -20°C...+80°C (for permanently cable)	-5°C...+80°C (for moved cable) -30°C...+70°C (for permanently cable)
			CD08/0A-****5	CD08/0B-****5																																		
Nominal voltage	Max. 60 V ac/dc	Max. 30 V ac/dc																																				
Nominal current	4 A																																					
Rated impulse voltage	1.5 kV																																					
Protection degree	IEC IP67																																					
Jacket material	PUR																																					
Wire isolation	PVC																																					
Conductors	3	4																																				
Conductors section	0,25 mm ² (32x0,10 mm ²)	0,25 mm ² (32x0,10 mm ²)																																				
Outer diameter	Ø 3.75 mm±0.2mm	Ø 4.7 mm ± 0,2mm																																				
Tightening torque	0.4 Nm																																					
Working temperature	-5°C...+80°C (for moved cable) -20°C...+80°C (for permanently cable)	-5°C...+80°C (for moved cable) -30°C...+70°C (for permanently cable)																																				



M12 PVC

product	dimensions (mm)	specifications																																				
		<table border="1"> <thead> <tr> <th></th> <th>CD12M/AA-****1</th> <th>CD12M/0B-****1</th> </tr> </thead> <tbody> <tr> <td>Nominal voltage</td> <td>Max. 250 V ac/dc</td> <td>Max. 30 V ac/dc</td> </tr> <tr> <td>Nominal current</td> <td colspan="2">4 A</td> </tr> <tr> <td>Rated impulse voltage</td> <td colspan="2">2.5 kV</td> </tr> <tr> <td>Protection degree</td> <td colspan="2">IEC IP67</td> </tr> <tr> <td>Jacket material</td> <td>PVC IEC 332-1</td> <td>PVC CEI 2022 II OR</td> </tr> <tr> <td>Wire isolation</td> <td colspan="2">PVC</td> </tr> <tr> <td>Conductors</td> <td>3</td> <td>4</td> </tr> <tr> <td>Conductors section</td> <td colspan="2">0.25 mm² (32 x 0.10 mm²)</td> </tr> <tr> <td>Outer diameter</td> <td colspan="2">Ø 4.5 mm ± 5%</td> </tr> <tr> <td>Tightening torque</td> <td colspan="2">0.6 Nm</td> </tr> <tr> <td>Working temperature</td> <td colspan="2">-10°C...+80°C (for moved cable) -25°C...+80°C (for permanently cable)</td> </tr> </tbody> </table>		CD12M/AA-****1	CD12M/0B-****1	Nominal voltage	Max. 250 V ac/dc	Max. 30 V ac/dc	Nominal current	4 A		Rated impulse voltage	2.5 kV		Protection degree	IEC IP67		Jacket material	PVC IEC 332-1	PVC CEI 2022 II OR	Wire isolation	PVC		Conductors	3	4	Conductors section	0.25 mm ² (32 x 0.10 mm ²)		Outer diameter	Ø 4.5 mm ± 5%		Tightening torque	0.6 Nm		Working temperature	-10°C...+80°C (for moved cable) -25°C...+80°C (for permanently cable)	
			CD12M/AA-****1	CD12M/0B-****1																																		
Nominal voltage	Max. 250 V ac/dc	Max. 30 V ac/dc																																				
Nominal current	4 A																																					
Rated impulse voltage	2.5 kV																																					
Protection degree	IEC IP67																																					
Jacket material	PVC IEC 332-1	PVC CEI 2022 II OR																																				
Wire isolation	PVC																																					
Conductors	3	4																																				
Conductors section	0.25 mm ² (32 x 0.10 mm ²)																																					
Outer diameter	Ø 4.5 mm ± 5%																																					
Tightening torque	0.6 Nm																																					
Working temperature	-10°C...+80°C (for moved cable) -25°C...+80°C (for permanently cable)																																					


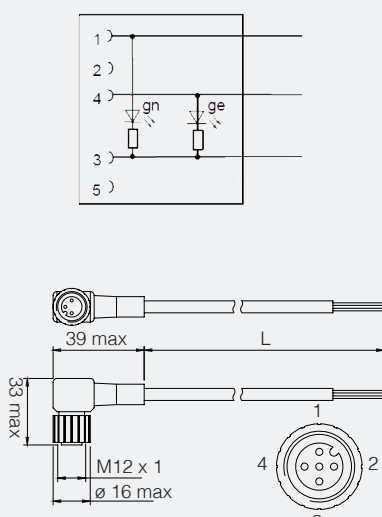
M12 PUR

product	dimensions (mm)	specifications																																				
		<table border="1"> <thead> <tr> <th></th> <th>CD12M/AA-****5</th> <th>CD12M/0B-****5</th> </tr> </thead> <tbody> <tr> <td>Nominal voltage</td> <td colspan="2">Max. 250 V ac/dc</td> </tr> <tr> <td>Nominal current</td> <td colspan="2">4 A</td> </tr> <tr> <td>Rated impulse voltage</td> <td colspan="2">2.5 kV</td> </tr> <tr> <td>Protection degree</td> <td colspan="2">IEC IP67</td> </tr> <tr> <td>Jacket material</td> <td colspan="2">PUR</td> </tr> <tr> <td>Wire isolation</td> <td colspan="2">PVC</td> </tr> <tr> <td>Conductors</td> <td>3</td> <td>4</td> </tr> <tr> <td>Conductors section</td> <td colspan="2">0.25 mm² (32 x 0,10 mm²)</td> </tr> <tr> <td>Outer diameter</td> <td>Ø 3.75 mm±0,2mm</td> <td>Ø 4.7 mm ± 5%</td> </tr> <tr> <td>Tightening torque</td> <td colspan="2">0.6 Nm</td> </tr> <tr> <td>Working temperature</td> <td colspan="2">-5°C...+80°C (for moved cable) -20°C...+80°C (for permanently cable)</td> </tr> </tbody> </table>		CD12M/AA-****5	CD12M/0B-****5	Nominal voltage	Max. 250 V ac/dc		Nominal current	4 A		Rated impulse voltage	2.5 kV		Protection degree	IEC IP67		Jacket material	PUR		Wire isolation	PVC		Conductors	3	4	Conductors section	0.25 mm ² (32 x 0,10 mm ²)		Outer diameter	Ø 3.75 mm±0,2mm	Ø 4.7 mm ± 5%	Tightening torque	0.6 Nm		Working temperature	-5°C...+80°C (for moved cable) -20°C...+80°C (for permanently cable)	
			CD12M/AA-****5	CD12M/0B-****5																																		
Nominal voltage	Max. 250 V ac/dc																																					
Nominal current	4 A																																					
Rated impulse voltage	2.5 kV																																					
Protection degree	IEC IP67																																					
Jacket material	PUR																																					
Wire isolation	PVC																																					
Conductors	3	4																																				
Conductors section	0.25 mm ² (32 x 0,10 mm ²)																																					
Outer diameter	Ø 3.75 mm±0,2mm	Ø 4.7 mm ± 5%																																				
Tightening torque	0.6 Nm																																					
Working temperature	-5°C...+80°C (for moved cable) -20°C...+80°C (for permanently cable)																																					


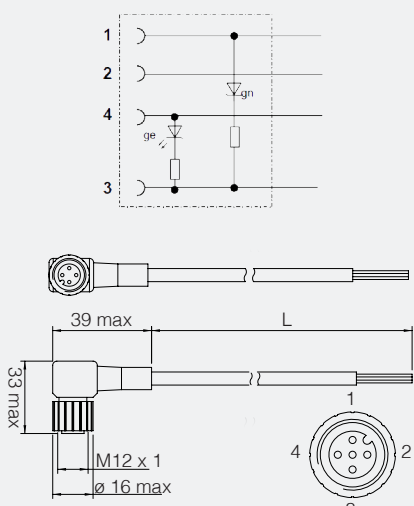
M12 LED 3 wires NO/NPN

product	dimensions (mm)	specifications																								
		<table border="1"> <thead> <tr> <th></th> <th>CD12M/NA-***C1</th> </tr> </thead> <tbody> <tr> <td>Nominal voltage</td> <td>Max. 250 V ac/dc</td> </tr> <tr> <td>Nominal current</td> <td>4 A</td> </tr> <tr> <td>Rated impulse voltage</td> <td>2.5 kV</td> </tr> <tr> <td>Protection degree</td> <td>IEC IP67</td> </tr> <tr> <td>Jacket material</td> <td>PVC CEI 2022 II OR</td> </tr> <tr> <td>Wire isolation</td> <td>PVC</td> </tr> <tr> <td>Conductors</td> <td>4</td> </tr> <tr> <td>Conductors section</td> <td>0.25 mm² (32 x 0,10 mm²)</td> </tr> <tr> <td>Outer diameter</td> <td>Ø 4.5 mm ± 5%</td> </tr> <tr> <td>Tightening torque</td> <td>0.6 Nm</td> </tr> <tr> <td>Working temperature</td> <td>-10°C...+80°C (for moved cable) -25°C...+80°C (for permanently cable)</td> </tr> </tbody> </table>		CD12M/NA-***C1	Nominal voltage	Max. 250 V ac/dc	Nominal current	4 A	Rated impulse voltage	2.5 kV	Protection degree	IEC IP67	Jacket material	PVC CEI 2022 II OR	Wire isolation	PVC	Conductors	4	Conductors section	0.25 mm ² (32 x 0,10 mm ²)	Outer diameter	Ø 4.5 mm ± 5%	Tightening torque	0.6 Nm	Working temperature	-10°C...+80°C (for moved cable) -25°C...+80°C (for permanently cable)
			CD12M/NA-***C1																							
Nominal voltage	Max. 250 V ac/dc																									
Nominal current	4 A																									
Rated impulse voltage	2.5 kV																									
Protection degree	IEC IP67																									
Jacket material	PVC CEI 2022 II OR																									
Wire isolation	PVC																									
Conductors	4																									
Conductors section	0.25 mm ² (32 x 0,10 mm ²)																									
Outer diameter	Ø 4.5 mm ± 5%																									
Tightening torque	0.6 Nm																									
Working temperature	-10°C...+80°C (for moved cable) -25°C...+80°C (for permanently cable)																									


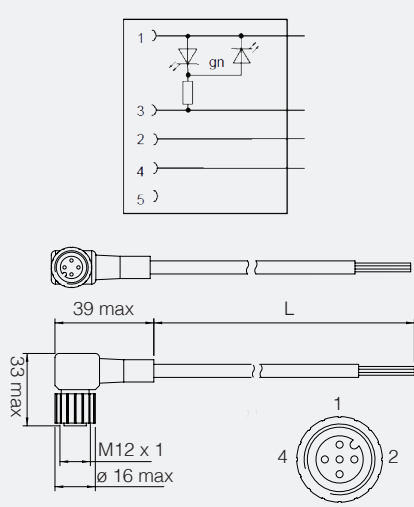
M12 LED 3 wires NO/PNP

product	dimensions (mm)	specifications																									
		<table border="1"> <thead> <tr> <th colspan="2">CD12M/PA-***C1</th> </tr> </thead> <tbody> <tr> <td>Nominal voltage</td> <td>Max. 250 V ac/dc</td> </tr> <tr> <td>Nominal current</td> <td>4 A</td> </tr> <tr> <td>Rated impulse voltage</td> <td>2.5 kV</td> </tr> <tr> <td>Protection degree</td> <td>IEC IP67</td> </tr> <tr> <td>Jacket material</td> <td>PVC CEI 2022 II OR</td> </tr> <tr> <td>Wire isolation</td> <td>PVC</td> </tr> <tr> <td>Conductors</td> <td>4</td> </tr> <tr> <td>Conductors section</td> <td>0.25 mm² (32 x 0.10 mm²)</td> </tr> <tr> <td>Outer diameter</td> <td>Ø 4.5 mm ± 5%</td> </tr> <tr> <td>Tightening torque</td> <td>0.6 Nm</td> </tr> <tr> <td rowspan="2">Working temperature</td> <td>-10°C...+80°C (for moved cable)</td> </tr> <tr> <td>-25°C...+80°C (for permanently cable)</td> </tr> </tbody> </table>	CD12M/PA-***C1		Nominal voltage	Max. 250 V ac/dc	Nominal current	4 A	Rated impulse voltage	2.5 kV	Protection degree	IEC IP67	Jacket material	PVC CEI 2022 II OR	Wire isolation	PVC	Conductors	4	Conductors section	0.25 mm ² (32 x 0.10 mm ²)	Outer diameter	Ø 4.5 mm ± 5%	Tightening torque	0.6 Nm	Working temperature	-10°C...+80°C (for moved cable)	-25°C...+80°C (for permanently cable)
		CD12M/PA-***C1																									
Nominal voltage	Max. 250 V ac/dc																										
Nominal current	4 A																										
Rated impulse voltage	2.5 kV																										
Protection degree	IEC IP67																										
Jacket material	PVC CEI 2022 II OR																										
Wire isolation	PVC																										
Conductors	4																										
Conductors section	0.25 mm ² (32 x 0.10 mm ²)																										
Outer diameter	Ø 4.5 mm ± 5%																										
Tightening torque	0.6 Nm																										
Working temperature	-10°C...+80°C (for moved cable)																										
	-25°C...+80°C (for permanently cable)																										


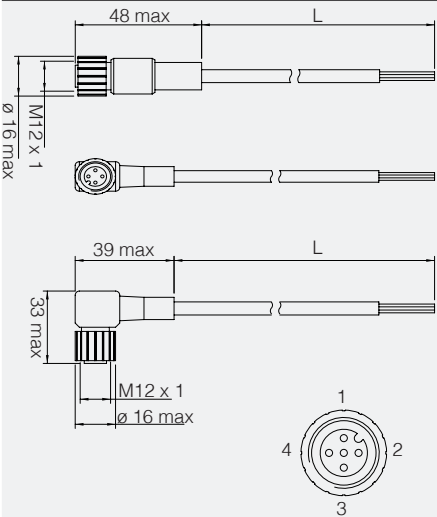
M12 LED 4 wires NO/NC - PNP


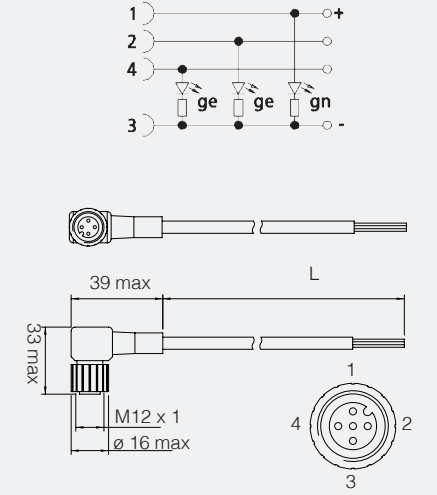
product	dimensions (mm)	specifications																									
		<table border="1"> <thead> <tr> <th colspan="2">CD12M/VB-***C1</th> </tr> </thead> <tbody> <tr> <td>Nominal voltage</td> <td>Max. 250 V ac/dc</td> </tr> <tr> <td>Nominal current</td> <td>4 A</td> </tr> <tr> <td>Rated impulse voltage</td> <td>2.5 kV</td> </tr> <tr> <td>Protection degree</td> <td>IEC IP67</td> </tr> <tr> <td>Jacket material</td> <td>PVC CEI 2022 II OR</td> </tr> <tr> <td>Wire isolation</td> <td>PVC</td> </tr> <tr> <td>Conductors</td> <td>4</td> </tr> <tr> <td>Conductors section</td> <td>0.25 mm² (32 x 0.10 mm²)</td> </tr> <tr> <td>Outer diameter</td> <td>Ø 4.5 mm ± 5%</td> </tr> <tr> <td>Tightening torque</td> <td>0.6 Nm</td> </tr> <tr> <td rowspan="2">Working temperature</td> <td>-10°C...+80°C (for moved cable)</td> </tr> <tr> <td>-25°C...+80°C (for permanently cable)</td> </tr> </tbody> </table>	CD12M/VB-***C1		Nominal voltage	Max. 250 V ac/dc	Nominal current	4 A	Rated impulse voltage	2.5 kV	Protection degree	IEC IP67	Jacket material	PVC CEI 2022 II OR	Wire isolation	PVC	Conductors	4	Conductors section	0.25 mm ² (32 x 0.10 mm ²)	Outer diameter	Ø 4.5 mm ± 5%	Tightening torque	0.6 Nm	Working temperature	-10°C...+80°C (for moved cable)	-25°C...+80°C (for permanently cable)
		CD12M/VB-***C1																									
Nominal voltage	Max. 250 V ac/dc																										
Nominal current	4 A																										
Rated impulse voltage	2.5 kV																										
Protection degree	IEC IP67																										
Jacket material	PVC CEI 2022 II OR																										
Wire isolation	PVC																										
Conductors	4																										
Conductors section	0.25 mm ² (32 x 0.10 mm ²)																										
Outer diameter	Ø 4.5 mm ± 5%																										
Tightening torque	0.6 Nm																										
Working temperature	-10°C...+80°C (for moved cable)																										
	-25°C...+80°C (for permanently cable)																										

M12 LED 4 wires DECOUT®


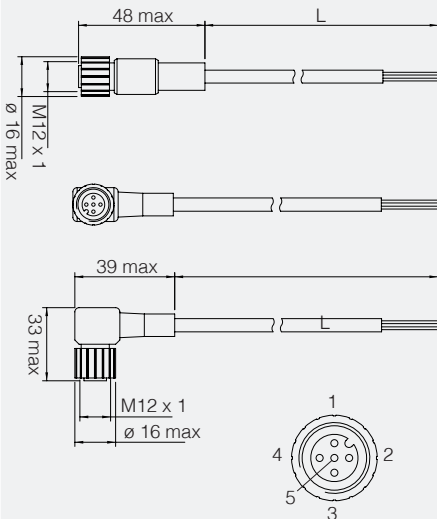
product	dimensions (mm)	specifications																									
		<table border="1"> <thead> <tr> <th colspan="2">CD12M/DB-***C1</th> </tr> </thead> <tbody> <tr> <td>Nominal voltage</td> <td>Max. 250 V ac/dc</td> </tr> <tr> <td>Nominal current</td> <td>4 A</td> </tr> <tr> <td>Rated impulse voltage</td> <td>2.5 kV</td> </tr> <tr> <td>Protection degree</td> <td>IEC IP67</td> </tr> <tr> <td>Jacket material</td> <td>PVC CEI 2022 II OR</td> </tr> <tr> <td>Wire isolation</td> <td>PVC</td> </tr> <tr> <td>Conductors</td> <td>4</td> </tr> <tr> <td>Conductors section</td> <td>0.25 mm² (32 x 0.10 mm²)</td> </tr> <tr> <td>Outer diameter</td> <td>Ø 4.5 mm ± 5%</td> </tr> <tr> <td>Tightening torque</td> <td>0.6 Nm</td> </tr> <tr> <td rowspan="2">Working temperature</td> <td>-10°C...+80°C (for moved cable)</td> </tr> <tr> <td>-25°C...+80°C (for permanently cable)</td> </tr> </tbody> </table>	CD12M/DB-***C1		Nominal voltage	Max. 250 V ac/dc	Nominal current	4 A	Rated impulse voltage	2.5 kV	Protection degree	IEC IP67	Jacket material	PVC CEI 2022 II OR	Wire isolation	PVC	Conductors	4	Conductors section	0.25 mm ² (32 x 0.10 mm ²)	Outer diameter	Ø 4.5 mm ± 5%	Tightening torque	0.6 Nm	Working temperature	-10°C...+80°C (for moved cable)	-25°C...+80°C (for permanently cable)
		CD12M/DB-***C1																									
Nominal voltage	Max. 250 V ac/dc																										
Nominal current	4 A																										
Rated impulse voltage	2.5 kV																										
Protection degree	IEC IP67																										
Jacket material	PVC CEI 2022 II OR																										
Wire isolation	PVC																										
Conductors	4																										
Conductors section	0.25 mm ² (32 x 0.10 mm ²)																										
Outer diameter	Ø 4.5 mm ± 5%																										
Tightening torque	0.6 Nm																										
Working temperature	-10°C...+80°C (for moved cable)																										
	-25°C...+80°C (for permanently cable)																										

M12 IP69K

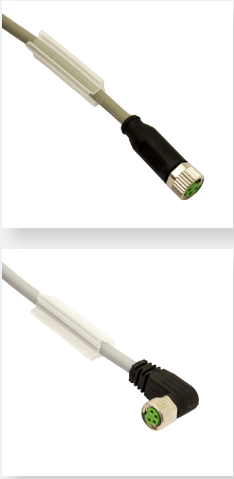
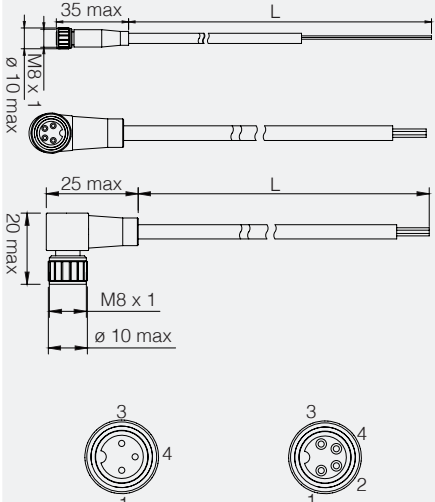
product	dimensions (mm)	specifications																								
		<table border="1"> <thead> <tr> <th colspan="2">CD12F/0B-****1</th> </tr> </thead> <tbody> <tr> <td>Nominal voltage</td> <td>Max. 240 V ac/dc</td> </tr> <tr> <td>Nominal current</td> <td>4 A</td> </tr> <tr> <td>Rated impulse voltage</td> <td>2 kV</td> </tr> <tr> <td>Protection degree</td> <td>IEC IP67 / IP69K</td> </tr> <tr> <td>Jacket material</td> <td>PVC</td> </tr> <tr> <td>Wire isolation</td> <td>PVC</td> </tr> <tr> <td>Conductors</td> <td>4</td> </tr> <tr> <td>Conductors section</td> <td>0.25 mm² (32 x 0.10 mm²)</td> </tr> <tr> <td>Outer diameter</td> <td>Ø 4.5 mm ± 5%</td> </tr> <tr> <td>Tightening torque</td> <td>0.6 Nm</td> </tr> <tr> <td>Working temperature</td> <td>-27°C...+70°C (for moved cable)</td> </tr> </tbody> </table>	CD12F/0B-****1		Nominal voltage	Max. 240 V ac/dc	Nominal current	4 A	Rated impulse voltage	2 kV	Protection degree	IEC IP67 / IP69K	Jacket material	PVC	Wire isolation	PVC	Conductors	4	Conductors section	0.25 mm ² (32 x 0.10 mm ²)	Outer diameter	Ø 4.5 mm ± 5%	Tightening torque	0.6 Nm	Working temperature	-27°C...+70°C (for moved cable)
		CD12F/0B-****1																								
Nominal voltage	Max. 240 V ac/dc																									
Nominal current	4 A																									
Rated impulse voltage	2 kV																									
Protection degree	IEC IP67 / IP69K																									
Jacket material	PVC																									
Wire isolation	PVC																									
Conductors	4																									
Conductors section	0.25 mm ² (32 x 0.10 mm ²)																									
Outer diameter	Ø 4.5 mm ± 5%																									
Tightening torque	0.6 Nm																									
Working temperature	-27°C...+70°C (for moved cable)																									

product	dimensions (mm)	specifications																		
		<table border="1"> <thead> <tr> <th colspan="2">CD12F/LB-***C1</th> </tr> </thead> <tbody> <tr> <td>Nominal voltage</td> <td>250 V</td> </tr> <tr> <td>Nominal current</td> <td>4 A</td> </tr> <tr> <td>Protection degree</td> <td>IP 67 / NEMA 6P</td> </tr> <tr> <td>Jacket material</td> <td>TPU</td> </tr> <tr> <td>Conductors</td> <td>4 x 0.34 mm²</td> </tr> <tr> <td>Wire isolation</td> <td>PP</td> </tr> <tr> <td>Outer diameter</td> <td>Ø 4.7mm ±0.20 mm</td> </tr> <tr> <td>Working temperature</td> <td>-40°C ... +80°C (in stationary position)</td> </tr> </tbody> </table>	CD12F/LB-***C1		Nominal voltage	250 V	Nominal current	4 A	Protection degree	IP 67 / NEMA 6P	Jacket material	TPU	Conductors	4 x 0.34 mm ²	Wire isolation	PP	Outer diameter	Ø 4.7mm ±0.20 mm	Working temperature	-40°C ... +80°C (in stationary position)
		CD12F/LB-***C1																		
Nominal voltage	250 V																			
Nominal current	4 A																			
Protection degree	IP 67 / NEMA 6P																			
Jacket material	TPU																			
Conductors	4 x 0.34 mm ²																			
Wire isolation	PP																			
Outer diameter	Ø 4.7mm ±0.20 mm																			
Working temperature	-40°C ... +80°C (in stationary position)																			

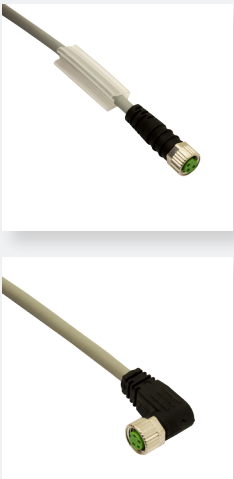
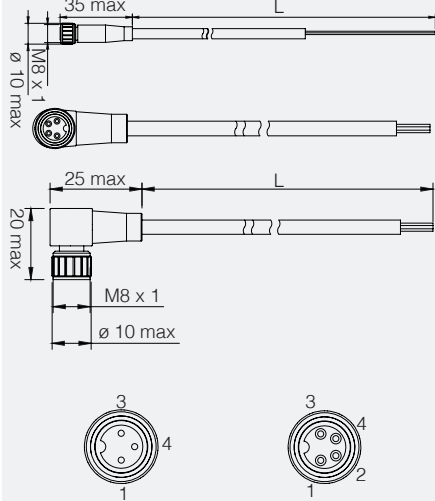
CD12M-0H

product	dimensions (mm)	specifications																						
		<table border="1"> <thead> <tr> <th colspan="2">CD12M/0H-****5</th> </tr> </thead> <tbody> <tr> <td>Nominal voltage</td> <td>60 V</td> </tr> <tr> <td>Nominal current</td> <td>4 A</td> </tr> <tr> <td>Protection degree</td> <td>IEC IP67</td> </tr> <tr> <td>Jacket material</td> <td>TPU</td> </tr> <tr> <td>Wire isolation</td> <td>TPU</td> </tr> <tr> <td>Conductors</td> <td>5</td> </tr> <tr> <td>Conductors section</td> <td>0.25 mm² (32 x 0,10 mm²)</td> </tr> <tr> <td>Outer diameter</td> <td>Ø 4.5 mm ± 5%</td> </tr> <tr> <td>Tightening torque</td> <td>0.6 Nm</td> </tr> <tr> <td>Working temperature</td> <td>-5°C...+70°C (for moved cable) -30°C...+80°C (for permanently cable)</td> </tr> </tbody> </table>	CD12M/0H-****5		Nominal voltage	60 V	Nominal current	4 A	Protection degree	IEC IP67	Jacket material	TPU	Wire isolation	TPU	Conductors	5	Conductors section	0.25 mm ² (32 x 0,10 mm ²)	Outer diameter	Ø 4.5 mm ± 5%	Tightening torque	0.6 Nm	Working temperature	-5°C...+70°C (for moved cable) -30°C...+80°C (for permanently cable)
		CD12M/0H-****5																						
Nominal voltage	60 V																							
Nominal current	4 A																							
Protection degree	IEC IP67																							
Jacket material	TPU																							
Wire isolation	TPU																							
Conductors	5																							
Conductors section	0.25 mm ² (32 x 0,10 mm ²)																							
Outer diameter	Ø 4.5 mm ± 5%																							
Tightening torque	0.6 Nm																							
Working temperature	-5°C...+70°C (for moved cable) -30°C...+80°C (for permanently cable)																							

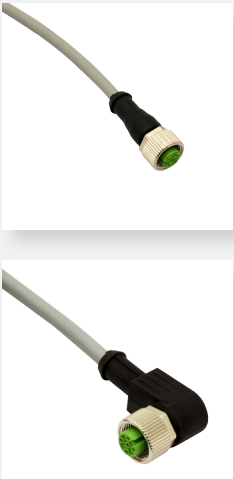
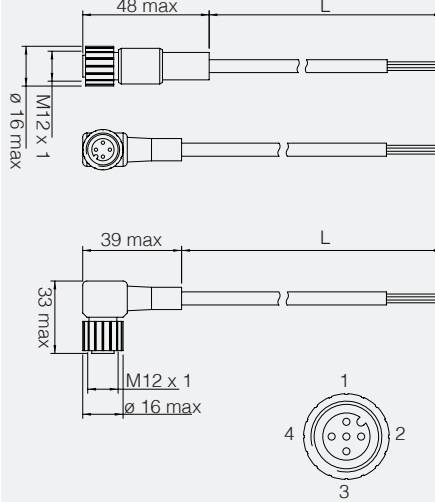
M8 PVC cCSAus

product	dimensions (mm)	specifications																																				
		<table border="1"> <thead> <tr> <th></th> <th>CD08/0A-****1US</th> <th>CD08/0B-****1US</th> </tr> </thead> <tbody> <tr> <td>Nominal voltage</td> <td>Max. 60 V ac/dc</td> <td>Max. 30 V ac/dc</td> </tr> <tr> <td>Nominal current</td> <td colspan="2">4 A</td> </tr> <tr> <td>Rated impulse voltage</td> <td colspan="2">1.5 kV</td> </tr> <tr> <td>Protection degree</td> <td colspan="2">IEC IP67</td> </tr> <tr> <td>Jacket material</td> <td colspan="2">PUR</td> </tr> <tr> <td>Wire isolation</td> <td colspan="2">PVC</td> </tr> <tr> <td>Conductors</td> <td>3</td> <td>4</td> </tr> <tr> <td>Conductors section</td> <td colspan="2">0.25 mm² (32 x 0.10 mm²)</td> </tr> <tr> <td>Outer diameter</td> <td colspan="2">Ø 4.4 mm ± 5%</td> </tr> <tr> <td>Tightening torque</td> <td colspan="2">0.4 Nm</td> </tr> <tr> <td>Working temperature</td> <td colspan="2">-5°C ÷ +70°C (for moved cable) -25°C ÷ +70°C (for permanently cable)</td> </tr> </tbody> </table>		CD08/0A-****1US	CD08/0B-****1US	Nominal voltage	Max. 60 V ac/dc	Max. 30 V ac/dc	Nominal current	4 A		Rated impulse voltage	1.5 kV		Protection degree	IEC IP67		Jacket material	PUR		Wire isolation	PVC		Conductors	3	4	Conductors section	0.25 mm ² (32 x 0.10 mm ²)		Outer diameter	Ø 4.4 mm ± 5%		Tightening torque	0.4 Nm		Working temperature	-5°C ÷ +70°C (for moved cable) -25°C ÷ +70°C (for permanently cable)	
			CD08/0A-****1US	CD08/0B-****1US																																		
Nominal voltage	Max. 60 V ac/dc	Max. 30 V ac/dc																																				
Nominal current	4 A																																					
Rated impulse voltage	1.5 kV																																					
Protection degree	IEC IP67																																					
Jacket material	PUR																																					
Wire isolation	PVC																																					
Conductors	3	4																																				
Conductors section	0.25 mm ² (32 x 0.10 mm ²)																																					
Outer diameter	Ø 4.4 mm ± 5%																																					
Tightening torque	0.4 Nm																																					
Working temperature	-5°C ÷ +70°C (for moved cable) -25°C ÷ +70°C (for permanently cable)																																					

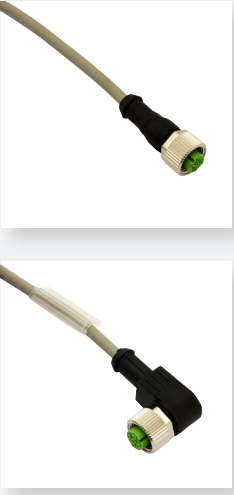
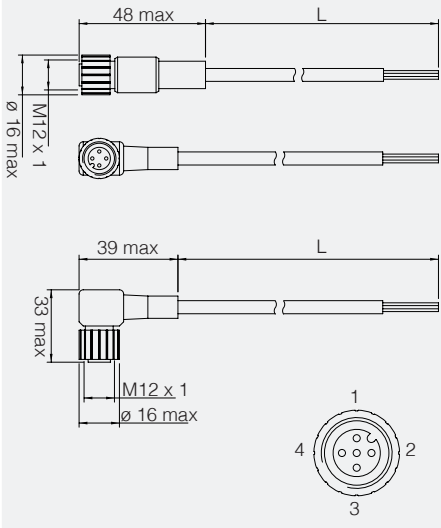
M8 PUR cCSAus

product	dimensions (mm)	specifications																																				
		<table border="1"> <thead> <tr> <th></th> <th>CD08/0A-****5US</th> <th>CD08/0B-****5US</th> </tr> </thead> <tbody> <tr> <td>Nominal voltage</td> <td>Max. 60 V ac/dc</td> <td>Max. 30 V ac/dc</td> </tr> <tr> <td>Nominal current</td> <td colspan="2">4 A</td> </tr> <tr> <td>Rated impulse voltage</td> <td colspan="2">1.5 kV</td> </tr> <tr> <td>Protection degree</td> <td colspan="2">IEC IP67</td> </tr> <tr> <td>Jacket material</td> <td colspan="2">PUR</td> </tr> <tr> <td>Wire isolation</td> <td colspan="2">PP</td> </tr> <tr> <td>Conductors</td> <td>3</td> <td>4</td> </tr> <tr> <td>Conductors section</td> <td colspan="2">0.25 mm² (32 x 0.10 mm²)</td> </tr> <tr> <td>Outer diameter</td> <td colspan="2">Ø 4.1 mm ± 5%</td> </tr> <tr> <td>Tightening torque</td> <td colspan="2">0,4 Nm</td> </tr> <tr> <td>Working temperature</td> <td colspan="2">-25°C... +80°C (for moved cable) -25°C ... +80°C (for permanently cable)</td> </tr> </tbody> </table>		CD08/0A-****5US	CD08/0B-****5US	Nominal voltage	Max. 60 V ac/dc	Max. 30 V ac/dc	Nominal current	4 A		Rated impulse voltage	1.5 kV		Protection degree	IEC IP67		Jacket material	PUR		Wire isolation	PP		Conductors	3	4	Conductors section	0.25 mm ² (32 x 0.10 mm ²)		Outer diameter	Ø 4.1 mm ± 5%		Tightening torque	0,4 Nm		Working temperature	-25°C... +80°C (for moved cable) -25°C ... +80°C (for permanently cable)	
			CD08/0A-****5US	CD08/0B-****5US																																		
Nominal voltage	Max. 60 V ac/dc	Max. 30 V ac/dc																																				
Nominal current	4 A																																					
Rated impulse voltage	1.5 kV																																					
Protection degree	IEC IP67																																					
Jacket material	PUR																																					
Wire isolation	PP																																					
Conductors	3	4																																				
Conductors section	0.25 mm ² (32 x 0.10 mm ²)																																					
Outer diameter	Ø 4.1 mm ± 5%																																					
Tightening torque	0,4 Nm																																					
Working temperature	-25°C... +80°C (for moved cable) -25°C ... +80°C (for permanently cable)																																					

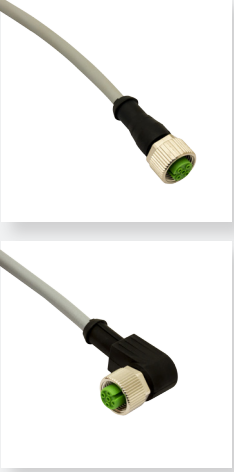
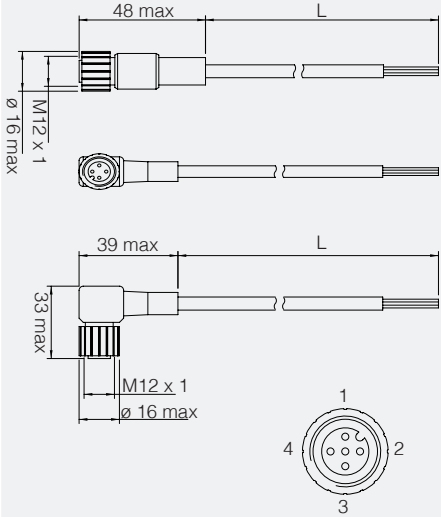
M12 PVC cCSAus

product	dimensions (mm)	specifications																								
		<table border="1"> <thead> <tr> <th></th> <th>CD12M/0B-****1US</th> </tr> </thead> <tbody> <tr> <td>Nominal voltage</td> <td>Max. 250 V ac/dc</td> </tr> <tr> <td>Nominal current</td> <td>4 A</td> </tr> <tr> <td>Rated impulse voltage</td> <td>2.5 kV</td> </tr> <tr> <td>Protection degree</td> <td>IEC IP67</td> </tr> <tr> <td>Jacket material</td> <td>PUR/PVC</td> </tr> <tr> <td>Wire isolation</td> <td>PVC</td> </tr> <tr> <td>Conductors</td> <td>4</td> </tr> <tr> <td>Conductors section</td> <td>0.25 mm² (32 x 0,10 mm²)</td> </tr> <tr> <td>Outer diameter</td> <td>Ø 5.2 mm ± 5%</td> </tr> <tr> <td>Tightening torque</td> <td>0,6 Nm</td> </tr> <tr> <td>Working temperature</td> <td>-5°C...+70°C (for moved cable) -25°C ... +70°C (for permanently cable)</td> </tr> </tbody> </table>		CD12M/0B-****1US	Nominal voltage	Max. 250 V ac/dc	Nominal current	4 A	Rated impulse voltage	2.5 kV	Protection degree	IEC IP67	Jacket material	PUR/PVC	Wire isolation	PVC	Conductors	4	Conductors section	0.25 mm ² (32 x 0,10 mm ²)	Outer diameter	Ø 5.2 mm ± 5%	Tightening torque	0,6 Nm	Working temperature	-5°C...+70°C (for moved cable) -25°C ... +70°C (for permanently cable)
			CD12M/0B-****1US																							
Nominal voltage	Max. 250 V ac/dc																									
Nominal current	4 A																									
Rated impulse voltage	2.5 kV																									
Protection degree	IEC IP67																									
Jacket material	PUR/PVC																									
Wire isolation	PVC																									
Conductors	4																									
Conductors section	0.25 mm ² (32 x 0,10 mm ²)																									
Outer diameter	Ø 5.2 mm ± 5%																									
Tightening torque	0,6 Nm																									
Working temperature	-5°C...+70°C (for moved cable) -25°C ... +70°C (for permanently cable)																									

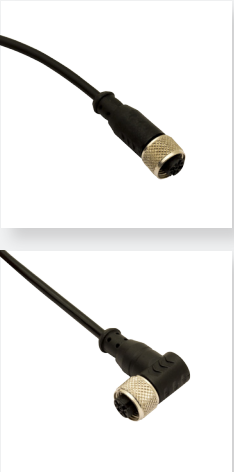
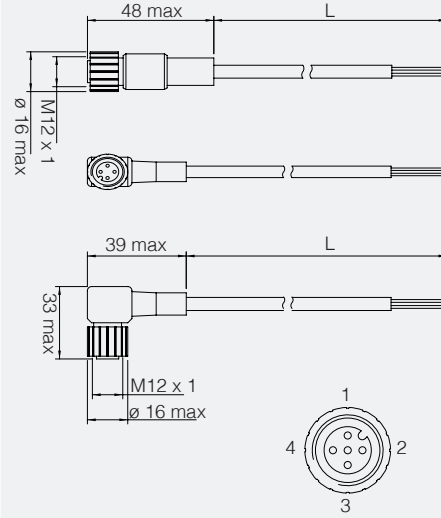
M12 PUR cCSAus

product	dimensions (mm)	specifications																								
		<table border="1"> <thead> <tr> <th colspan="2">CD12M/0B-****5US</th> </tr> </thead> <tbody> <tr> <td>Nominal voltage</td> <td>Max. 250 V ac/dc</td> </tr> <tr> <td>Nominal current</td> <td>4 A</td> </tr> <tr> <td>Rated impulse voltage</td> <td>2,5 kV</td> </tr> <tr> <td>Protection degree</td> <td>IEC IP67</td> </tr> <tr> <td>Jacket material</td> <td>PUR</td> </tr> <tr> <td>Wire isolation</td> <td>PP</td> </tr> <tr> <td>Conductors</td> <td>4</td> </tr> <tr> <td>Conductors section</td> <td>0,25 mm² (32 x 0,10 mm²)</td> </tr> <tr> <td>Outer diameter</td> <td>Ø 4,7 mm ± 5%</td> </tr> <tr> <td>Tightening torque</td> <td>0,6 Nm</td> </tr> <tr> <td>Working temperature</td> <td>-25°C...+80°C (for moved cable) -25°C...+80°C (for permanently cable)</td> </tr> </tbody> </table>	CD12M/0B-****5US		Nominal voltage	Max. 250 V ac/dc	Nominal current	4 A	Rated impulse voltage	2,5 kV	Protection degree	IEC IP67	Jacket material	PUR	Wire isolation	PP	Conductors	4	Conductors section	0,25 mm ² (32 x 0,10 mm ²)	Outer diameter	Ø 4,7 mm ± 5%	Tightening torque	0,6 Nm	Working temperature	-25°C...+80°C (for moved cable) -25°C...+80°C (for permanently cable)
		CD12M/0B-****5US																								
Nominal voltage	Max. 250 V ac/dc																									
Nominal current	4 A																									
Rated impulse voltage	2,5 kV																									
Protection degree	IEC IP67																									
Jacket material	PUR																									
Wire isolation	PP																									
Conductors	4																									
Conductors section	0,25 mm ² (32 x 0,10 mm ²)																									
Outer diameter	Ø 4,7 mm ± 5%																									
Tightening torque	0,6 Nm																									
Working temperature	-25°C...+80°C (for moved cable) -25°C...+80°C (for permanently cable)																									


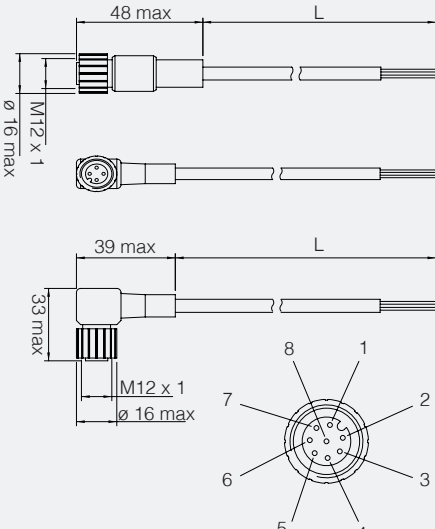
M12 PVC cCSAus

product	dimensions (mm)	specifications																								
		<table border="1"> <thead> <tr> <th colspan="2">CD12M/0B-****1US</th> </tr> </thead> <tbody> <tr> <td>Nominal voltage</td> <td>Max. 250 V ac/dc</td> </tr> <tr> <td>Nominal current</td> <td>4 A</td> </tr> <tr> <td>Rated impulse voltage</td> <td>2,5 kV</td> </tr> <tr> <td>Protection degree</td> <td>IEC IP67</td> </tr> <tr> <td>Jacket material</td> <td>PUR/PVC</td> </tr> <tr> <td>Wire isolation</td> <td>PVC</td> </tr> <tr> <td>Conductors</td> <td>4</td> </tr> <tr> <td>Conductors section</td> <td>0,25 mm² (32 x 0,10 mm²)</td> </tr> <tr> <td>Outer diameter</td> <td>Ø 5,2 mm ± 5%</td> </tr> <tr> <td>Tightening torque</td> <td>0,6 Nm</td> </tr> <tr> <td>Working temperature</td> <td>-5°C...+70°C (for moved cable) -25°C...+70°C (for permanently cable)</td> </tr> </tbody> </table>	CD12M/0B-****1US		Nominal voltage	Max. 250 V ac/dc	Nominal current	4 A	Rated impulse voltage	2,5 kV	Protection degree	IEC IP67	Jacket material	PUR/PVC	Wire isolation	PVC	Conductors	4	Conductors section	0,25 mm ² (32 x 0,10 mm ²)	Outer diameter	Ø 5,2 mm ± 5%	Tightening torque	0,6 Nm	Working temperature	-5°C...+70°C (for moved cable) -25°C...+70°C (for permanently cable)
		CD12M/0B-****1US																								
Nominal voltage	Max. 250 V ac/dc																									
Nominal current	4 A																									
Rated impulse voltage	2,5 kV																									
Protection degree	IEC IP67																									
Jacket material	PUR/PVC																									
Wire isolation	PVC																									
Conductors	4																									
Conductors section	0,25 mm ² (32 x 0,10 mm ²)																									
Outer diameter	Ø 5,2 mm ± 5%																									
Tightening torque	0,6 Nm																									
Working temperature	-5°C...+70°C (for moved cable) -25°C...+70°C (for permanently cable)																									



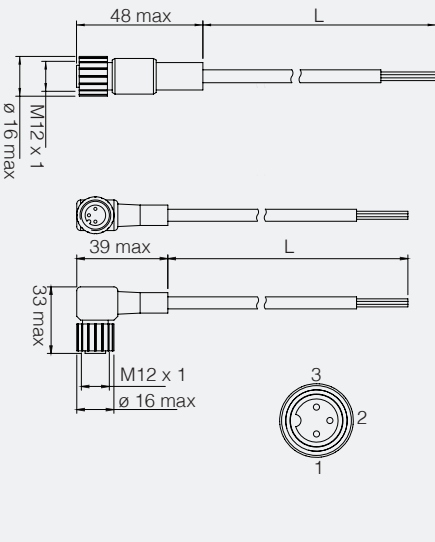
M12 extended temperature

product	dimensions (mm)	specifications																								
		<table border="1"> <thead> <tr> <th colspan="2">CD12M/0B-****1HT</th> </tr> </thead> <tbody> <tr> <td>Nominal voltage</td> <td>Max. 250 V ac/dc</td> </tr> <tr> <td>Nominal current</td> <td>4 A</td> </tr> <tr> <td>Rated impulse voltage</td> <td>2,5 kV</td> </tr> <tr> <td>Protection degree</td> <td>IEC IP67</td> </tr> <tr> <td>Jacket material</td> <td>PVC</td> </tr> <tr> <td>Wire isolation</td> <td>PVC</td> </tr> <tr> <td>Conductors</td> <td>4</td> </tr> <tr> <td>Conductors section</td> <td>0,25 mm² (32 x 0,10 mm²)</td> </tr> <tr> <td>Outer diameter</td> <td>Ø 4,5 mm ± 5%</td> </tr> <tr> <td>Tightening torque</td> <td>0,6 Nm</td> </tr> <tr> <td>Working temperature</td> <td>-25°C...+105°C (for permanently cable)</td> </tr> </tbody> </table>	CD12M/0B-****1HT		Nominal voltage	Max. 250 V ac/dc	Nominal current	4 A	Rated impulse voltage	2,5 kV	Protection degree	IEC IP67	Jacket material	PVC	Wire isolation	PVC	Conductors	4	Conductors section	0,25 mm ² (32 x 0,10 mm ²)	Outer diameter	Ø 4,5 mm ± 5%	Tightening torque	0,6 Nm	Working temperature	-25°C...+105°C (for permanently cable)
		CD12M/0B-****1HT																								
Nominal voltage	Max. 250 V ac/dc																									
Nominal current	4 A																									
Rated impulse voltage	2,5 kV																									
Protection degree	IEC IP67																									
Jacket material	PVC																									
Wire isolation	PVC																									
Conductors	4																									
Conductors section	0,25 mm ² (32 x 0,10 mm ²)																									
Outer diameter	Ø 4,5 mm ± 5%																									
Tightening torque	0,6 Nm																									
Working temperature	-25°C...+105°C (for permanently cable)																									


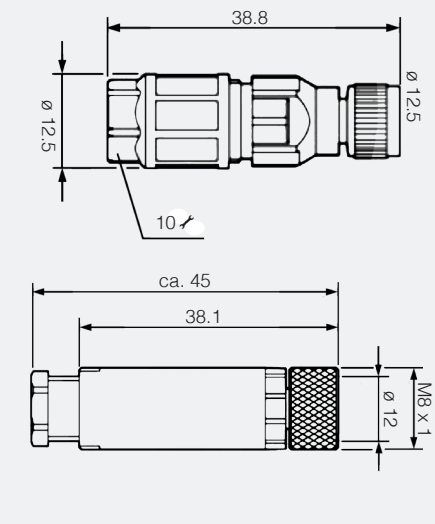
M12 8 wires

product	dimensions (mm)	specifications																								
		<table border="1"> <thead> <tr> <th colspan="2">CD12M/0X-***A5</th> </tr> </thead> <tbody> <tr> <td>Nominal voltage</td> <td>Max. 30 V ac/dc</td> </tr> <tr> <td>Nominal current</td> <td>2 A</td> </tr> <tr> <td>Rated impulse voltage</td> <td>1,5 kV</td> </tr> <tr> <td>Protection degree</td> <td>IEC IP67</td> </tr> <tr> <td>Jacket material</td> <td>TPU</td> </tr> <tr> <td>Wire isolation</td> <td>PP</td> </tr> <tr> <td>Conductors</td> <td>8</td> </tr> <tr> <td>Conductors section</td> <td>0,34 mm² (42 x 0,10 mm²)</td> </tr> <tr> <td>Outer diameter</td> <td>Ø 6,4 mm ± 0,2mm</td> </tr> <tr> <td>Tightening torque</td> <td>0,6 Nm</td> </tr> <tr> <td>Working temperature</td> <td>-25°C...+80°C (for moved cable) -25°C...+80°C (for permanently cable)</td> </tr> </tbody> </table>	CD12M/0X-***A5		Nominal voltage	Max. 30 V ac/dc	Nominal current	2 A	Rated impulse voltage	1,5 kV	Protection degree	IEC IP67	Jacket material	TPU	Wire isolation	PP	Conductors	8	Conductors section	0,34 mm ² (42 x 0,10 mm ²)	Outer diameter	Ø 6,4 mm ± 0,2mm	Tightening torque	0,6 Nm	Working temperature	-25°C...+80°C (for moved cable) -25°C...+80°C (for permanently cable)
CD12M/0X-***A5																										
Nominal voltage	Max. 30 V ac/dc																									
Nominal current	2 A																									
Rated impulse voltage	1,5 kV																									
Protection degree	IEC IP67																									
Jacket material	TPU																									
Wire isolation	PP																									
Conductors	8																									
Conductors section	0,34 mm ² (42 x 0,10 mm ²)																									
Outer diameter	Ø 6,4 mm ± 0,2mm																									
Tightening torque	0,6 Nm																									
Working temperature	-25°C...+80°C (for moved cable) -25°C...+80°C (for permanently cable)																									


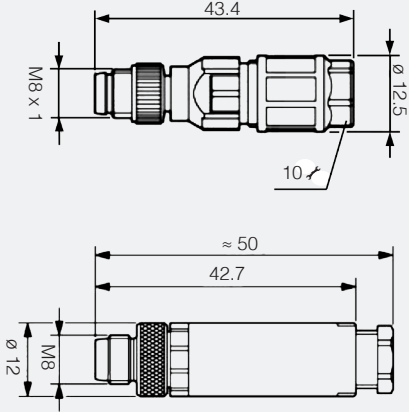
M12 AC

product	dimensions (mm)	specifications																								
 		<table border="1"> <thead> <tr> <th colspan="2">CD12M/AC-****5</th> </tr> </thead> <tbody> <tr> <td>Nominal voltage</td> <td>Max. 250 V ac/dc</td> </tr> <tr> <td>Nominal current</td> <td>4 A</td> </tr> <tr> <td>Rated impulse voltage</td> <td>2 kV</td> </tr> <tr> <td>Protection degree</td> <td>IEC IP67</td> </tr> <tr> <td>Jacket material</td> <td>TPU</td> </tr> <tr> <td>Wire isolation</td> <td>PVC</td> </tr> <tr> <td>Conductors</td> <td>3</td> </tr> <tr> <td>Conductors section</td> <td>0.50 mm²</td> </tr> <tr> <td>Outer diameter</td> <td>Ø 4.6 mm ± 5%</td> </tr> <tr> <td>Tightening torque</td> <td>0.6 Nm</td> </tr> <tr> <td>Working temperature</td> <td>-10°C ... +80°C (for moved cable) -25°C...+80°C (for permanently cable)</td> </tr> </tbody> </table>	CD12M/AC-****5		Nominal voltage	Max. 250 V ac/dc	Nominal current	4 A	Rated impulse voltage	2 kV	Protection degree	IEC IP67	Jacket material	TPU	Wire isolation	PVC	Conductors	3	Conductors section	0.50 mm ²	Outer diameter	Ø 4.6 mm ± 5%	Tightening torque	0.6 Nm	Working temperature	-10°C ... +80°C (for moved cable) -25°C...+80°C (for permanently cable)
CD12M/AC-****5																										
Nominal voltage	Max. 250 V ac/dc																									
Nominal current	4 A																									
Rated impulse voltage	2 kV																									
Protection degree	IEC IP67																									
Jacket material	TPU																									
Wire isolation	PVC																									
Conductors	3																									
Conductors section	0.50 mm ²																									
Outer diameter	Ø 4.6 mm ± 5%																									
Tightening torque	0.6 Nm																									
Working temperature	-10°C ... +80°C (for moved cable) -25°C...+80°C (for permanently cable)																									


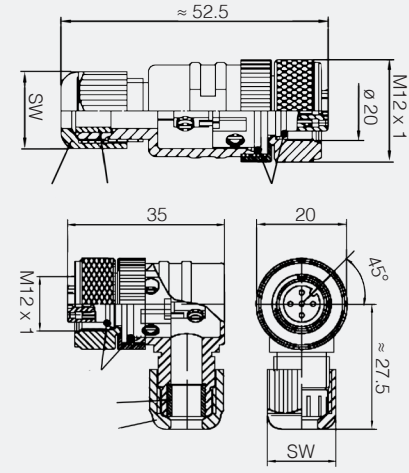

CL08

product	dimensions (mm)	specifications																																							
		<table border="1"> <thead> <tr> <th></th> <th>CL08/1*-00A</th> <th>CL08/0*-00A</th> </tr> </thead> <tbody> <tr> <td>External diameter</td> <td>2.5mm...5mm ±0.2mm</td> <td>3.5 mm ... 5 mm</td> </tr> <tr> <td>Stripping length of the sheath</td> <td>40 mm</td> <td>12 mm</td> </tr> <tr> <td>Ambient temperature</td> <td>-25 °C ... 80 °C</td> <td>-40 °C ... 85 °C</td> </tr> <tr> <td>Degree of protection</td> <td>IP65 / IP67</td> <td>IP67</td> </tr> <tr> <td>Rated current at 40°C</td> <td>a 40°C 4 A</td> <td>a 40°C 4 A</td> </tr> <tr> <td>Rated voltage</td> <td>60 V (3 wires) 30 V (4 wires)</td> <td>60 V (3 wires) 30 V (4 wires)</td> </tr> <tr> <td>Contact resistance</td> <td>≤ 5 mΩ</td> <td>≤ 5 mΩ</td> </tr> <tr> <td>Insulation resistance</td> <td>≥ 100 MΩ</td> <td>≥ 100 MΩ</td> </tr> <tr> <td>Conductor cross section</td> <td>0.25 mm²...0.5 mm²</td> <td>0.14 mm²...0.5 mm²</td> </tr> <tr> <td>AWG conductor cross section</td> <td>AWG 24 ... 20</td> <td>-</td> </tr> <tr> <td>Wire diameter including insulation</td> <td>0.75 mm ... 1,5 mm ±0.05 mm</td> <td>26 ... 20 mm</td> </tr> <tr> <td>Torque</td> <td>0.6 Nm (pressure nut) 0.2 Nm (M8 nut)</td> <td>0.2 Nm (M8 nut)</td> </tr> </tbody> </table>		CL08/1*-00A	CL08/0*-00A	External diameter	2.5mm...5mm ±0.2mm	3.5 mm ... 5 mm	Stripping length of the sheath	40 mm	12 mm	Ambient temperature	-25 °C ... 80 °C	-40 °C ... 85 °C	Degree of protection	IP65 / IP67	IP67	Rated current at 40°C	a 40°C 4 A	a 40°C 4 A	Rated voltage	60 V (3 wires) 30 V (4 wires)	60 V (3 wires) 30 V (4 wires)	Contact resistance	≤ 5 mΩ	≤ 5 mΩ	Insulation resistance	≥ 100 MΩ	≥ 100 MΩ	Conductor cross section	0.25 mm ² ...0.5 mm ²	0.14 mm ² ...0.5 mm ²	AWG conductor cross section	AWG 24 ... 20	-	Wire diameter including insulation	0.75 mm ... 1,5 mm ±0.05 mm	26 ... 20 mm	Torque	0.6 Nm (pressure nut) 0.2 Nm (M8 nut)	0.2 Nm (M8 nut)
	CL08/1*-00A	CL08/0*-00A																																							
External diameter	2.5mm...5mm ±0.2mm	3.5 mm ... 5 mm																																							
Stripping length of the sheath	40 mm	12 mm																																							
Ambient temperature	-25 °C ... 80 °C	-40 °C ... 85 °C																																							
Degree of protection	IP65 / IP67	IP67																																							
Rated current at 40°C	a 40°C 4 A	a 40°C 4 A																																							
Rated voltage	60 V (3 wires) 30 V (4 wires)	60 V (3 wires) 30 V (4 wires)																																							
Contact resistance	≤ 5 mΩ	≤ 5 mΩ																																							
Insulation resistance	≥ 100 MΩ	≥ 100 MΩ																																							
Conductor cross section	0.25 mm ² ...0.5 mm ²	0.14 mm ² ...0.5 mm ²																																							
AWG conductor cross section	AWG 24 ... 20	-																																							
Wire diameter including insulation	0.75 mm ... 1,5 mm ±0.05 mm	26 ... 20 mm																																							
Torque	0.6 Nm (pressure nut) 0.2 Nm (M8 nut)	0.2 Nm (M8 nut)																																							


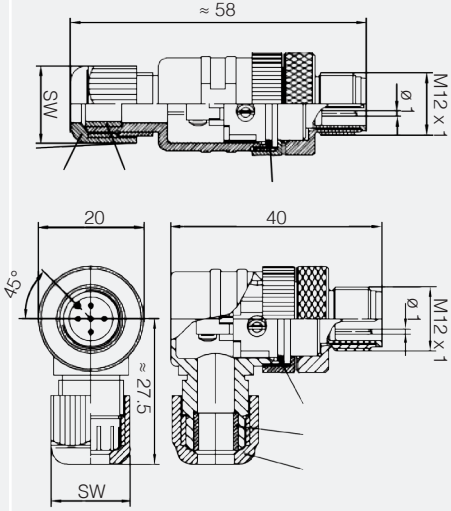

CV 08

product	dimensions (mm)	specifications		
		CV08/1*-00A	CV08/0*-00A	
		External diameter	25 mm...5 mm ±0.2 mm	3,5 mm ... 5 mm
		Stripping length of the sheath	40 mm	12 mm
		Ambient temperature	-25 °C ... 80 °C	-40 °C ... 85 °C
		Degree of protection	IP65 / IP67	IP67
		Rated current at 40°C	a 40°C 4 A	a 40°C 4 A
		Rated voltage	60 V (3 wires) 30 V (4 wires)	60 V (3 wires) 30 V (4 wires)
		Contact resistance	≤ 5 mΩ	≤ 5 mΩ
		Insulation resistance	≥ 100 MΩ	≥ 100 MΩ
		Conductor cross section	0.25 mm²...0.5 mm²	0.14 mm²...0.5 mm²
		AWG conductor cross section	AWG 24 ... 20	-
		Wire diameter including insulation	0.75 mm ... 1,5 mm ±0.05 mm	26 ... 20 mm
		Torque	0.6 Nm (pressure nut) 0.2 Nm (M8 nut)	0.2 Nm (M8 nut)


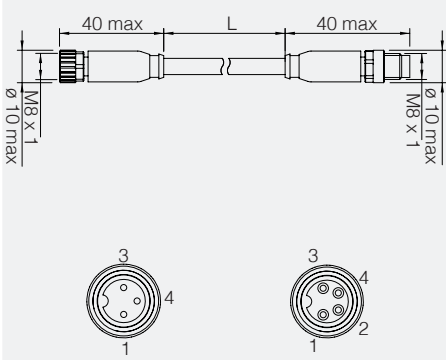
CL 12

product	dimensions (mm)	specifications		
		CL12/0B-00*	CL12/0H-00*	
		Conductors	4	5
		Cable external diameter	3 mm ... 6.5 mm	
		Stripping length of the sheath	20 mm	
		Ambient temperature	-25 °C ... 90 °C	
		Degree of protection	IP67	
		Rated current at 40°C	4 A	
		Rated voltage	250 V	
		Contact resistance	≤ 5 mΩ	
		Insulation resistance	≥ 100 MΩ	
		Conductor cross section	Max. 0.75 mm²	


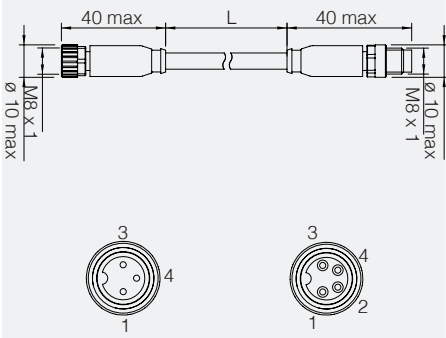
CV 12

product	dimensions (mm)	specifications		
		CV12/0H-00*	CV12/0B-00*	
		Conductors	4	5
		Cable external diameter	3 mm ... 6.5 mm	
		Stripping length of the sheath	20 mm	
		Ambient temperature	-25 °C ... 90 °C	
		Degree of protection	IP67	
		Rated current at 40°C	4 A	
		Rated voltage	250 V	
		Contact resistance	≤ 5 mΩ	
		Insulation resistance	≥ 100 MΩ	
		Conductor cross section	Max. 0.75 mm²	


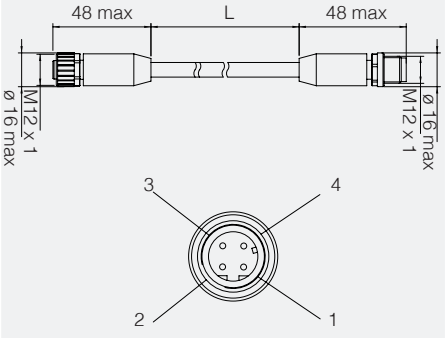
CDP 08 PVC

product	dimensions (mm)	specifications																																				
		<table border="1"> <thead> <tr> <th></th> <th>CDP08/0A</th> <th>CDP08/0B</th> </tr> </thead> <tbody> <tr> <td>Nominal voltage</td> <td>Max. 60 V ac/dc</td> <td>Max. 30 V ac/dc</td> </tr> <tr> <td>Nominal current</td> <td colspan="2">4 A</td> </tr> <tr> <td>Rated impulse voltage</td> <td colspan="2">0.8 kV</td> </tr> <tr> <td>Protection degree</td> <td colspan="2">IEC IP67</td> </tr> <tr> <td>Jacket material</td> <td>PVC IEC 332-1</td> <td>PVC CEI 2022 II OR</td> </tr> <tr> <td>Wire isolation</td> <td colspan="2">PVC</td> </tr> <tr> <td>Conductors</td> <td>3</td> <td>4</td> </tr> <tr> <td>Conductors section</td> <td colspan="2">0.25 mm² (32 x 0.10 mm²)</td> </tr> <tr> <td>Outer diameter</td> <td colspan="2">Ø 4.5 mm ± 5%</td> </tr> <tr> <td>Tightening torque</td> <td colspan="2">0.4 Nm</td> </tr> <tr> <td>Working temperature</td> <td colspan="2">-10°C ÷ +80°C (for moved cable) -25°C ÷ +80°C (for permanently cable)</td> </tr> </tbody> </table>		CDP08/0A	CDP08/0B	Nominal voltage	Max. 60 V ac/dc	Max. 30 V ac/dc	Nominal current	4 A		Rated impulse voltage	0.8 kV		Protection degree	IEC IP67		Jacket material	PVC IEC 332-1	PVC CEI 2022 II OR	Wire isolation	PVC		Conductors	3	4	Conductors section	0.25 mm ² (32 x 0.10 mm ²)		Outer diameter	Ø 4.5 mm ± 5%		Tightening torque	0.4 Nm		Working temperature	-10°C ÷ +80°C (for moved cable) -25°C ÷ +80°C (for permanently cable)	
			CDP08/0A	CDP08/0B																																		
Nominal voltage	Max. 60 V ac/dc	Max. 30 V ac/dc																																				
Nominal current	4 A																																					
Rated impulse voltage	0.8 kV																																					
Protection degree	IEC IP67																																					
Jacket material	PVC IEC 332-1	PVC CEI 2022 II OR																																				
Wire isolation	PVC																																					
Conductors	3	4																																				
Conductors section	0.25 mm ² (32 x 0.10 mm ²)																																					
Outer diameter	Ø 4.5 mm ± 5%																																					
Tightening torque	0.4 Nm																																					
Working temperature	-10°C ÷ +80°C (for moved cable) -25°C ÷ +80°C (for permanently cable)																																					


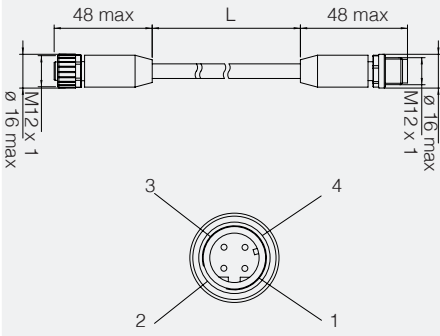
CDP 08 PUR

product	dimensions (mm)	specifications																																				
		<table border="1"> <thead> <tr> <th></th> <th>CDP08/0A-***AA8F</th> <th>CDP08/0B-***AA8F</th> </tr> </thead> <tbody> <tr> <td>Nominal voltage</td> <td>Max. 60 V ac/dc</td> <td>Max. 30 V ac/dc</td> </tr> <tr> <td>Nominal current</td> <td colspan="2">4 A</td> </tr> <tr> <td>Rated impulse voltage</td> <td colspan="2">1.5 kV</td> </tr> <tr> <td>Protection degree</td> <td colspan="2">IEC IP67</td> </tr> <tr> <td>Jacket material</td> <td>PUR</td> <td>PVC CEI 2022 II OR</td> </tr> <tr> <td>Wire isolation</td> <td colspan="2">PVC</td> </tr> <tr> <td>Conductors</td> <td>3</td> <td>4</td> </tr> <tr> <td>Conductors section</td> <td>0.25 mm² (32 x 0.10 mm²)</td> <td>0.25 mm² (32 x 0.10 mm²)</td> </tr> <tr> <td>Outer diameter</td> <td>Ø 3.75 mm ± 0,2 mm</td> <td>Ø 4.7 mm ± 0,2 mm</td> </tr> <tr> <td>Tightening torque</td> <td colspan="2">0.6 Nm</td> </tr> <tr> <td>Working temperature</td> <td>-5°C...+80°C (for moved cable) -20°C ÷ +80°C (for permanently cable)</td> <td>-5°C ÷ +80°C (for moved cable) -30°C ÷ +70°C (for permanently cable)</td> </tr> </tbody> </table>		CDP08/0A-***AA8F	CDP08/0B-***AA8F	Nominal voltage	Max. 60 V ac/dc	Max. 30 V ac/dc	Nominal current	4 A		Rated impulse voltage	1.5 kV		Protection degree	IEC IP67		Jacket material	PUR	PVC CEI 2022 II OR	Wire isolation	PVC		Conductors	3	4	Conductors section	0.25 mm ² (32 x 0.10 mm ²)	0.25 mm ² (32 x 0.10 mm ²)	Outer diameter	Ø 3.75 mm ± 0,2 mm	Ø 4.7 mm ± 0,2 mm	Tightening torque	0.6 Nm		Working temperature	-5°C...+80°C (for moved cable) -20°C ÷ +80°C (for permanently cable)	-5°C ÷ +80°C (for moved cable) -30°C ÷ +70°C (for permanently cable)
			CDP08/0A-***AA8F	CDP08/0B-***AA8F																																		
Nominal voltage	Max. 60 V ac/dc	Max. 30 V ac/dc																																				
Nominal current	4 A																																					
Rated impulse voltage	1.5 kV																																					
Protection degree	IEC IP67																																					
Jacket material	PUR	PVC CEI 2022 II OR																																				
Wire isolation	PVC																																					
Conductors	3	4																																				
Conductors section	0.25 mm ² (32 x 0.10 mm ²)	0.25 mm ² (32 x 0.10 mm ²)																																				
Outer diameter	Ø 3.75 mm ± 0,2 mm	Ø 4.7 mm ± 0,2 mm																																				
Tightening torque	0.6 Nm																																					
Working temperature	-5°C...+80°C (for moved cable) -20°C ÷ +80°C (for permanently cable)	-5°C ÷ +80°C (for moved cable) -30°C ÷ +70°C (for permanently cable)																																				


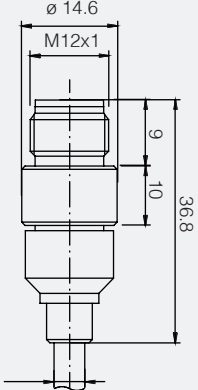
CDP 12 PVC

product	dimensions (mm)	specifications																																				
		<table border="1"> <thead> <tr> <th></th> <th colspan="2">CDP12/0B-***AA</th> </tr> </thead> <tbody> <tr> <td>Nominal voltage</td> <td>Max. 250 V ac/dc</td> <td>Max. 30 V ac/dc</td> </tr> <tr> <td>Nominal current</td> <td colspan="2">4 A</td> </tr> <tr> <td>Rated impulse voltage</td> <td colspan="2">2.5 kV</td> </tr> <tr> <td>Protection degree</td> <td colspan="2">IEC IP67</td> </tr> <tr> <td>Jacket material</td> <td colspan="2">PVC CEI 2022 II OR</td> </tr> <tr> <td>Wire isolation</td> <td colspan="2">PVC</td> </tr> <tr> <td>Conductors</td> <td colspan="2">4</td> </tr> <tr> <td>Conductors section</td> <td colspan="2">0.25 mm² (32 x 0.10 mm²)</td> </tr> <tr> <td>Outer diameter</td> <td colspan="2">Ø 4.5mm ± 5%</td> </tr> <tr> <td>Tightening torque</td> <td colspan="2">0.6 Nm</td> </tr> <tr> <td>Working temperature</td> <td colspan="2">-10°C ÷ +80°C (for moved cable) -25°C ÷ +80°C (for permanently cable)</td> </tr> </tbody> </table>		CDP12/0B-***AA		Nominal voltage	Max. 250 V ac/dc	Max. 30 V ac/dc	Nominal current	4 A		Rated impulse voltage	2.5 kV		Protection degree	IEC IP67		Jacket material	PVC CEI 2022 II OR		Wire isolation	PVC		Conductors	4		Conductors section	0.25 mm ² (32 x 0.10 mm ²)		Outer diameter	Ø 4.5mm ± 5%		Tightening torque	0.6 Nm		Working temperature	-10°C ÷ +80°C (for moved cable) -25°C ÷ +80°C (for permanently cable)	
			CDP12/0B-***AA																																			
Nominal voltage	Max. 250 V ac/dc	Max. 30 V ac/dc																																				
Nominal current	4 A																																					
Rated impulse voltage	2.5 kV																																					
Protection degree	IEC IP67																																					
Jacket material	PVC CEI 2022 II OR																																					
Wire isolation	PVC																																					
Conductors	4																																					
Conductors section	0.25 mm ² (32 x 0.10 mm ²)																																					
Outer diameter	Ø 4.5mm ± 5%																																					
Tightening torque	0.6 Nm																																					
Working temperature	-10°C ÷ +80°C (for moved cable) -25°C ÷ +80°C (for permanently cable)																																					

CDP 12 PUR

product	dimensions (mm)	specifications																				
		CDP12/0B																				
		<table border="1"> <tr><td>Nominal voltage</td><td>Max. 250 V ac/dc</td></tr> <tr><td>Nominal current</td><td>4 A</td></tr> <tr><td>Rated impulse voltage</td><td>2,5 kV</td></tr> <tr><td>Protection degree</td><td>IEC IP67</td></tr> <tr><td>Jacket material</td><td>PUR</td></tr> <tr><td>Wire isolation</td><td>PVC</td></tr> <tr><td>Conductors</td><td>4</td></tr> <tr><td>Conductors section</td><td>0,25 mm² (32 x 0,10 mm²)</td></tr> <tr><td>Outer diameter</td><td>Ø 4.7 mm ± 5%</td></tr> <tr><td>Tightening torque</td><td>0,6 Nm</td></tr> <tr><td>Working temperature</td><td>-5°C ÷ +80°C (for moved cable) -20°C ÷ +80°C (for permanently cable)</td></tr> </table>	Nominal voltage	Max. 250 V ac/dc	Nominal current	4 A	Rated impulse voltage	2,5 kV	Protection degree	IEC IP67	Jacket material	PUR	Wire isolation	PVC	Conductors	4	Conductors section	0,25 mm ² (32 x 0,10 mm ²)	Outer diameter	Ø 4.7 mm ± 5%	Tightening torque	0,6 Nm
Nominal voltage	Max. 250 V ac/dc																					
Nominal current	4 A																					
Rated impulse voltage	2,5 kV																					
Protection degree	IEC IP67																					
Jacket material	PUR																					
Wire isolation	PVC																					
Conductors	4																					
Conductors section	0,25 mm ² (32 x 0,10 mm ²)																					
Outer diameter	Ø 4.7 mm ± 5%																					
Tightening torque	0,6 Nm																					
Working temperature	-5°C ÷ +80°C (for moved cable) -20°C ÷ +80°C (for permanently cable)																					

CDV

product	dimensions (mm)	specifications																																																		
		<table border="1"> <thead> <tr> <th></th> <th>CDV-37</th> <th>CDV-47</th> <th>CDV-50</th> <th>CDV-55</th> </tr> </thead> <tbody> <tr> <td>Hole diameter</td> <td>3,75 mm</td> <td>4,7 mm</td> <td>5 mm</td> <td>5,5 mm</td> </tr> <tr> <td>Connections</td> <td colspan="4" style="text-align: center;">to solder</td> </tr> <tr> <td>Nominal voltage</td> <td colspan="4" style="text-align: center;">60 Vdc - 48 Vac</td> </tr> <tr> <td>Nominal current</td> <td colspan="4" style="text-align: center;">4 A</td> </tr> <tr> <td>Protection degree</td> <td colspan="4" style="text-align: center;">IEC IP65</td> </tr> <tr> <td>Housing material</td> <td colspan="4" style="text-align: center;">nickel-plated brass</td> </tr> <tr> <td>Plug connector material</td> <td colspan="4" style="text-align: center;">polyamide 66 GV, V0 UL94</td> </tr> <tr> <td>Contacts material</td> <td colspan="4" style="text-align: center;">nickel-plated brass with surface gold-plating</td> </tr> <tr> <td>O-Ring material</td> <td colspan="4" style="text-align: center;">NBR 72</td> </tr> </tbody> </table>		CDV-37	CDV-47	CDV-50	CDV-55	Hole diameter	3,75 mm	4,7 mm	5 mm	5,5 mm	Connections	to solder				Nominal voltage	60 Vdc - 48 Vac				Nominal current	4 A				Protection degree	IEC IP65				Housing material	nickel-plated brass				Plug connector material	polyamide 66 GV, V0 UL94				Contacts material	nickel-plated brass with surface gold-plating				O-Ring material	NBR 72			
			CDV-37	CDV-47	CDV-50	CDV-55																																														
Hole diameter	3,75 mm	4,7 mm	5 mm	5,5 mm																																																
Connections	to solder																																																			
Nominal voltage	60 Vdc - 48 Vac																																																			
Nominal current	4 A																																																			
Protection degree	IEC IP65																																																			
Housing material	nickel-plated brass																																																			
Plug connector material	polyamide 66 GV, V0 UL94																																																			
Contacts material	nickel-plated brass with surface gold-plating																																																			
O-Ring material	NBR 72																																																			