

TC1100

Compact CCD reader

FEATURES

- Powerful reading capabilities
- Enhanced code reconstruction with the Puzzle Solver™ technology
- PDF417 bar code decoding (model TC1100-0200 only)
- Flexible interface "All in One" architecture: RS232, Wedge and Pen emulation
- WinSetPlus: Windows-based programming tool
- Lightweight < 50g (< 1.72 oz)
- Compact dimensions

APPLICATIONS

- Access control systems
- Chemical and biomedical analysis machines
- Automatic Tape Libraries (ATL)
- Self Service Systems (ATM, Kiosk)
- Game automation (Lotto, Lottery, etc.)
- Film processing machines

GENERAL DESCRIPTION

Datalogic's **TC1100 Compact CCD Reader** is the entry-level solution for many OEM applications. Due to its well-balanced mix of technical characteristics it is perfect for integration in custom equipment, setting a new standard in this product class.

The **TC1100** has excellent reading capabilities, scans very close to the output window with a wide reading area and extended DOF. Its high-performance CCD camera (3,648 pixels), which executes 270 scans/sec, combined with the **PUZZLE SOLVER™** technology, allows fast and accurate reading even when the codes are damaged or printed in low quality.

In addition its compact dimensions and light weight help reduce the overall dimensions and weight of the complete system.

The **TC1100's** ambient light immunity (100,000 lux) together with its reading capabilities allows installation in any condition reducing costs.

In addition, due to the absence of any moving parts, the **TC1100** grants a MTBF of 240,000 hours (Mean Time Between Failures) drastically reducing any maintenance costs.

The "All in One" communication system (RS232, Wedge and Pen Emulation) and the optocoupled Input and Output lines permit easy and flexible interfacing with any kind of controller.

The **TC1100** can be programmed by software commands sent via RS232 or with the intuitive configuration software **WinSetPlus™**.



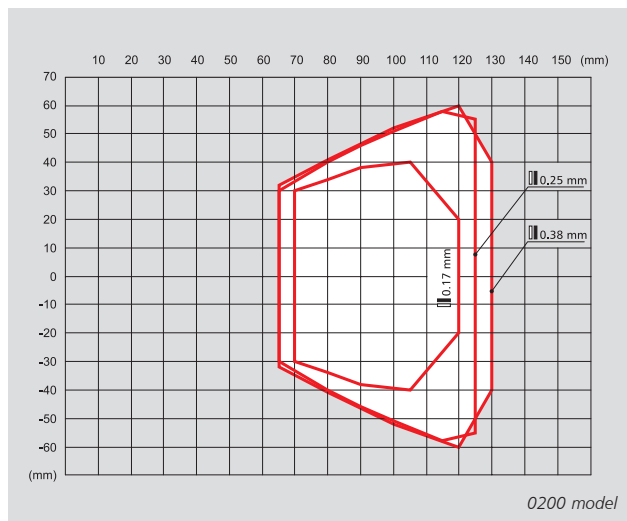
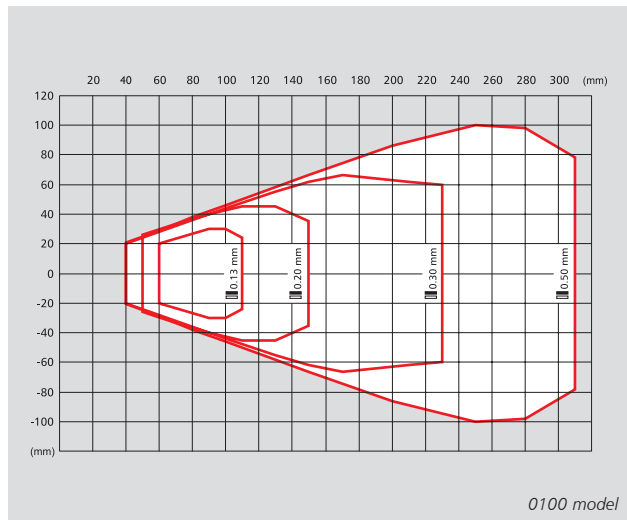
MODELS AND ACCESSORIES

MODEL	DESCRIPTION	ORDER NO.
TC1100-0100	CCD scan engine, linear	939501000
TC1100-0200	CCD scan engine, PDF	939501010
ACCESSORIES		
TC1100 User manual + Configurator SW		93ACC1670

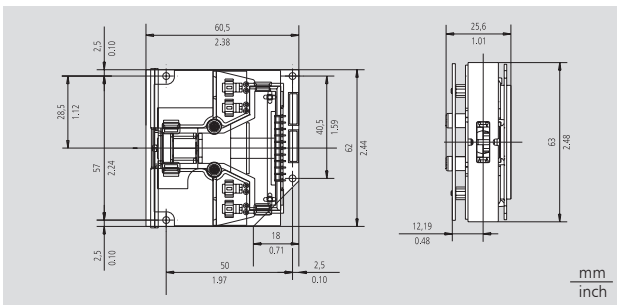
SPECIFICATIONS

POWER SUPPLY	5Vdc ±5%
POWER CONSUMPTION	1.5W
SENSOR	CCD Solid state (3648 pixels)
LIGHT SOURCE	4 LED, Red light 630nm
MAX RESOLUTION	0.076mm (3mils)
READABLE CODES	2/5 family, Code 39, EAN/UPC, EAN128, Code 128, Code 93, CODABAR, TELEPEN, PLESSEY, Code MSI, Code Delta IBM, Code 11 CODABLOCK, Code 16K, PDF417, Code 49
<i>(0200 model only)</i>	
INTERFACES	RS232, Wedge, Pen emulation
INPUT SIGNAL	Trigger (optocoupled)
OUTPUT SIGNAL	Good Read (optocoupled)
LED INDICATOR	'Power On'; 'Good Read'
PROGRAMMING METHOD	
<i>Automatic (via RS232)</i>	SW commands through the serial port
<i>WinSetPlus</i>	Windows configuration program
ENHANCED FEATURES	Puzzle Solver™
AMBIENT LIGHT IMMUNITY	Up to 100.000 lux
DIMENSIONS	W 63mm (2.48"); L 60.5mm (2.38"); H 27mm (1.06")
WEIGHT	<50g (1,72 oz)
OPERATING TEMPERATURE	0 to 50 °C (32 to 122 °F)
STORAGE TEMPERATURE	-20 to 70 °C (-4 to 158 °F)
HUMIDITY	90% non-condensing
VIBRATION RESISTANCE	IEC 68-2-6 test FC 1.5mm; 10 to 55 Hz; 2 hours on each axis
SHOCK RESISTANCE	IEC 68-2-27 test EA 30 G; 11 ms; 3 shocks on each axis

READING DIAGRAMS



DIMENSIONS



AUDIN Composants & systèmes d'automatisme

Siège : 7 bis rue de Tinquex - 51100 Reims - France - Tel : 03.26.04.20.21 - Fax : 03.26.04.28.20
 Agence Nord : 66 rue J.Baptiste Lebas - 59910 Bondues - France Tel : 03.20.27.99.84 - Fax : 03.20.27.99.85
 Web : <http://www.audin.fr> - Email : info@audin.fr



We reserve the right to make modifications and improvements

Datalogic S.p.A.
Italy
 Corporate Headquarters
 Tel. +39 051/3147011
 Fax +39 051/726562
info@datalogic.it

Sales Italy
 Tel. +39 051/3147300
 Fax +39 051/726562
venditeitalia@datalogic.it

Sales International
 (Central and South America,
 Far East, Middle East - Africa)
 Tel. +39 041/5986511
 Fax +39 041/5986550
sales-intl@datalogic.it

Australia
 Datalogic PTY LTD.
 Tel. +61 3/95589299
 Fax +61 3/95589233
sales@datalogic.com.au

Germany
 Datalogic GmbH
 Tel. +49 7026/6080
 Fax +49 7026/5746
info@datalogic.de

Sweden
 Datalogic AB
 Tel. +46 40/385000
 Fax +46 40/385001
info@datalogic.se

Austria
 Datalogic Handelges MBH
 Tel. +43 2236/258820
 Fax +43 2236/258825
office@datalogic.co.at

Japan
 Izumi Datalogic Co., Ltd.
 Tel. +81 78/3033400
 Fax +81 78/3033402
idlmarke@izumi-datalogic.co.jp

United Kingdom
 Datalogic UK Ltd.
 Tel. +44 1582/464900
 Fax +44 1582/464999
enquiries@datalogic.demon.co.uk

Denmark
 Datalogic A8
 Tel. +45 44/209970
 Fax +45 44/209972
info@datalogic.se

Netherlands
 Datalogic Optic Electronics BV
 Tel. +31 346/572888
 Fax +31 346/568736
info@datalogic.nl

U.S.A.
 Datalogic Inc.
 Tel. +1 859/6897000
 Fax +1 859/3344970
info@datalogic.com

France
 Datalogic France S.A.
 Tel. +33 1/60921111
 Fax +33 1/60921340
difrance@datalogic.it

Spain
 Datalogic Iberia
 Tel. +34 91/3837755
 Fax +34 91/3837962
dliberia@datalogic.it



Datalogic Communication Division
 Printed in Italy in November 2001

