

EXLIGHT

Extra slim LED efficiency

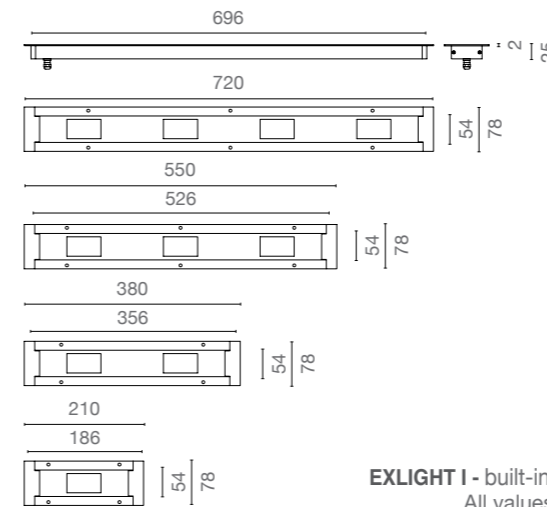


The EXLIGHT series was created from the need to provide machine manufacturers with compact, linear lighting with a high light output. This led us to design a lamp that could provide a high-efficiency 6W multi-chip LED light within an extra slim structure with a high degree of protection, making it perfect for using in small spaces inside CNC or EDM machines. Available in 6, 12, 18 and 24W versions.

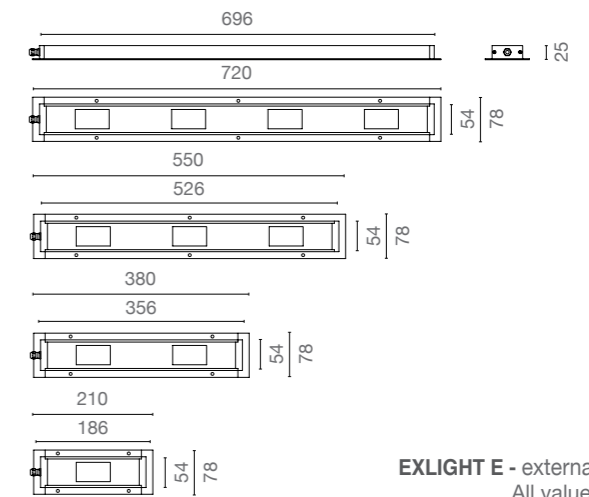
- Extra slim structure design
- I.D.S. technology for direct 24Vdc connection
- Available with a side cable or M12 connector
- 4 lengths available, either built-in or as an external attachment



Automatic machine tools



EXLIGHT I - built-in version
All values in mm.



EXLIGHT E - external version
All values in mm.



TECHNICAL FEATURES

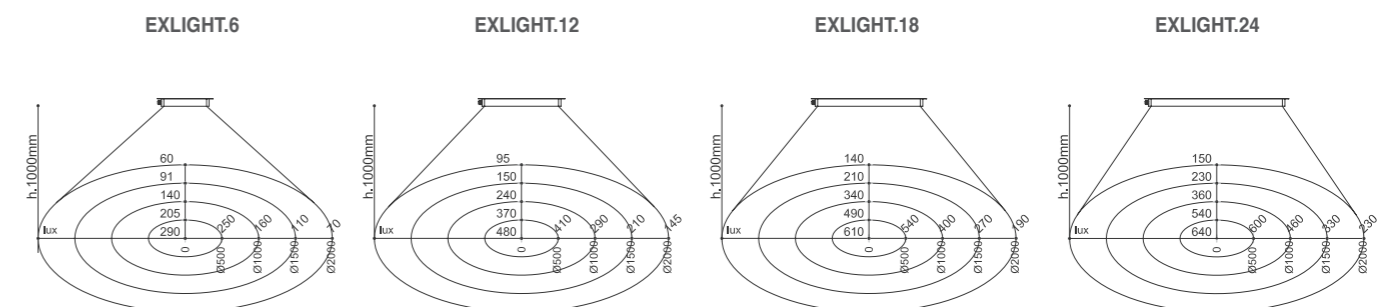
	EXLIGHT.6	EXLIGHT.12	EXLIGHT.18	EXLIGHT.24
Power supply	24 Vdc	24 Vdc	24 Vdc	24 Vdc
Power	6 W	12 W	18 W	24 W
Current	0,7 A	0,7 A	1,4 A	1,4 A
Degree of protection	IP67	IP67	IP67	IP67
LED type	1 LED Multichip	2 LED Multichip	3 LED Multichip	4 LED Multichip
LED lifespan	50.000 h	50.000 h	50.000 h	50.000 h
Lumen LED	720 lum - 120°	1440 lum - 120°	2160 lum - 120°	2880 lum - 120°
Light color	5000 K - CRI65	5000 K - CRI65	5000 K - CRI65	5000 K - CRI65
Structure	anodized aluminium	anodized aluminium	anodized aluminium	anodized aluminium
Glass	4 mm tempered glass	4 mm tempered glass	4 mm tempered glass	4 mm tempered glass
Fastenings	M5 screws	M5 screws	M5 screws	M5 screws
Cable	neoprene	neoprene	neoprene	neoprene

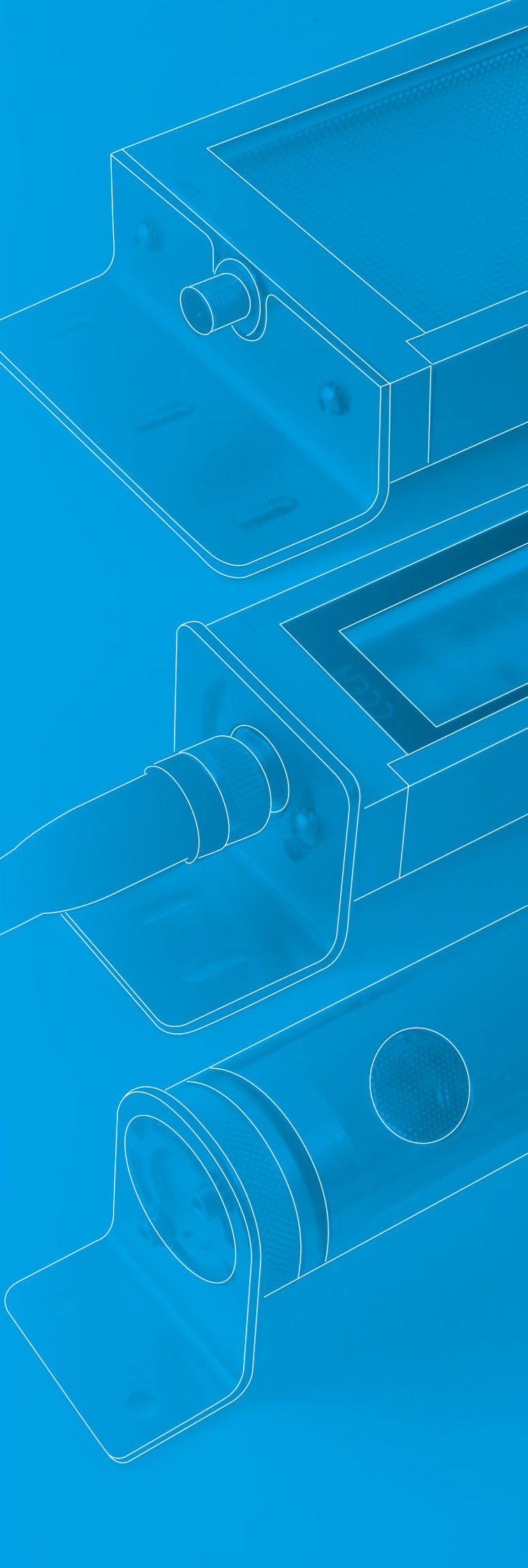
ORDER CODES

EXLIGHT.6.X	6W - cable 1,5 m	EXLIGHT.12.X.M12	12W - M12	EXLIGHT.18.X.C3	18W - cable 3 m	EXLIGHT.24.X.C5	24W - cable 5 m
EXLIGHT.12.X	12W - cable 1,5 m	EXLIGHT.18.X.M12	18W - M12	EXLIGHT.24.X.C3	24W - cable 3 m	EXLIGHT.6.X.C10	6W - cable 10 m
EXLIGHT.18.X	18W - cable 1,5 m	EXLIGHT.24.X.M12	24W - M12	EXLIGHT.6.X.C5	6W - cable 5 m	EXLIGHT.12.X.C10	12W - cable 10 m
EXLIGHT.24.X	24W - cable 1,5 m	EXLIGHT.6.X.C3	6W - cable 3 m	EXLIGHT.12.X.C5	12W - cable 5 m	EXLIGHT.18.X.C10	18W - cable 10 m
EXLIGHT.6.X.M12	6W - M12	EXLIGHT.12.X.C3	12W - cable 3 m	EXLIGHT.18.X.C5	18W - cable 5 m	EXLIGHT.24.X.C10	24W - cable 10 m

X = Please specify which version: **E** external or **I** built-in (M12 only available in external versions)

LUMINANCE DIAGRAMS





Accessories

- Fastenings
- Power supply units
- Cables and connectors

Fastenings

Accessories



Magnetic base
for lamps with an ABS base

Cod. B01



Magnetic base
for lamps with an aluminium base

Cod. B02



Fastening clamp
for lamps with an ABS base

Cod. CLAMP.03



Fastening clamp
for lamps with an aluminium base

Cod. CLAMP.04



Stainless steel fastening clips
for the T-LED series

Cod. CLIP.36



Stainless steel fastening plates
for the HERIO series

Cod. HERIO.FX01



Fastening accessories for the JOB series

Cod. JOB.FX01



Adjustable stainless steel fastening plates for the T-CITY/T-LED series

Cod. T.FX01



Adjustable stainless steel fastening plates for the TABIT series

Cod. TABIT.FX02



Adjustable stainless steel fastening plates for the TRACK series

Cod. TRACK.FX04

Power supply units



AC/DC power supply unit
110/230V-24Vdc - 60W

Cod. A0361005060922D



AC/DC power supply unit
110/230V-24Vdc - 100W

Cod. A0371005061023D



M12 female movable connector 4P with 1.5 m cable

Cod. M12V.F.C1,5

M12 female movable connector 4P with 3 m cable

Cod. M12V.F.C3

M12 female movable connector 4P with 5 m cable

Cod. M12V.F.C5

M12 female movable connector 4P with 10 m cable













Cod. M12V.F.C10



M12 female movable connector

Cod. N10610001040302

Symbol key

	Lamp designed for use on automatic machine tools: CNC and EDM.		High energy saving technology.
	Lamp designed for use on manual machine tools: milling tools, lathes and drills.		Device equipped with a circuit with an integrated 24Vdc LED driver (Integrated Driver System).
	Lamp designed for use inside spray booths.		Concentrated beam.
	Lamp designed for use on workbenches and as industrial lighting.		Diffused beam.
	Lamp designed for use inside food processing and bottling machines.		LED technology device.
	Lamp designed for quality control and precision lighting.		Variable cable length.
			Degree of protection in accordance with standard EN-60529.
			Product complies with European Regulations (2004/08/EC - 2006/95/EC) for EC labelling - 2000/55/EC - 2008/35/EC.



The information and photographs shown in this catalogue are purely indicative, C.C.E.A. reserves the right to make technical or structural changes at any time to improve the quality of its products.

Edition: January 2015