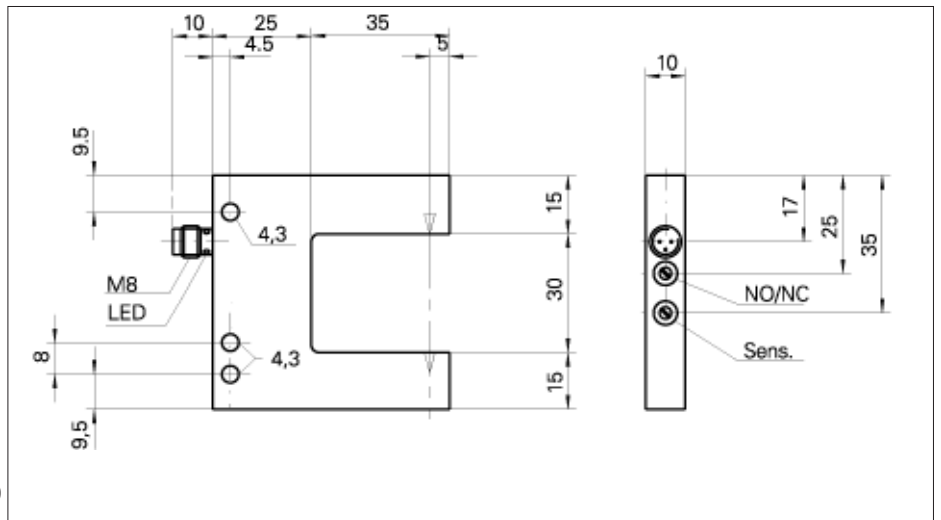


Laser fork sensor, U profile

OGUM 030P8001/S35L



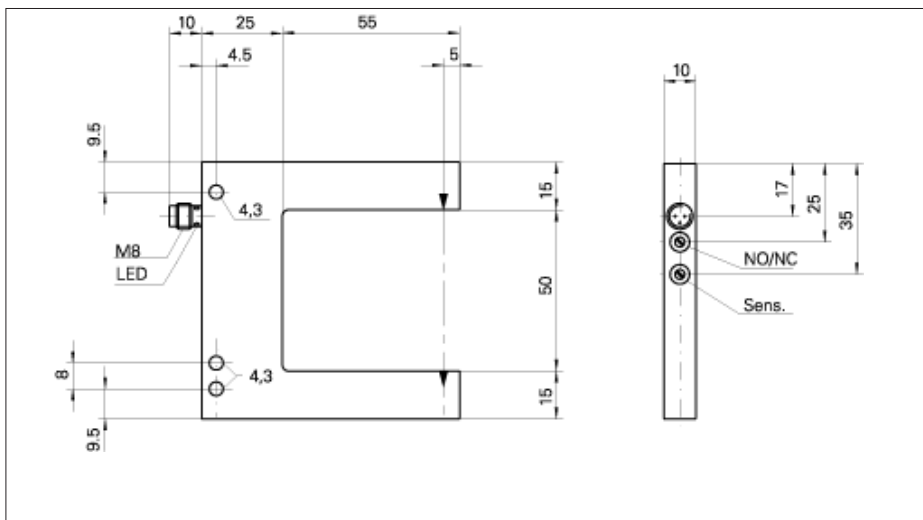
AUDIN

Composants & systèmes d'automatisme
 7 bis rue de Tinguieux - 51100 Reims - France
 Tel. +33(0)326042021 • Fax +33(0)326042820
 http://www.audin.fr • e-mail info@audin.fr

Technical Data		connection diagram	
function	through beam sensor		
Fork opening	30 mm		
scan depth	35 mm		
repeatability	0,01 mm		
smallest recognizable object	0,05 mm		
switching hysteresis	< 0,02 mm		
response time / release time	< 0,166 ms		
output	PNP		
output state	light/dark operate switchable		
switching current	< 200 mA		
short circuit protection	yes		
voltage drop	< 2,8 VDC		
output indicator	LED yellow		
voltage supply range +Vs	10 - 30 VDC		
reverse polarity protection	yes		
supply current average/peak value	30 / 30 mA		
light source	pulsed red laser diode		
wave length	670 nm		
laser class (norm)	2		
sensitivity adjustable	yes		
Ambient light immunity	100 kLux		
housing material	aluminum anodized		
housing style	U profile		
width /diameter	60 mm		
height	60 mm		
depth	10 mm		
temperature range	+5 ... +45 °C		
protection class	IP 67		
connection	connector		
connectors	ES 8.2P, ES 9.2P, ESW 31S, ESG32S		

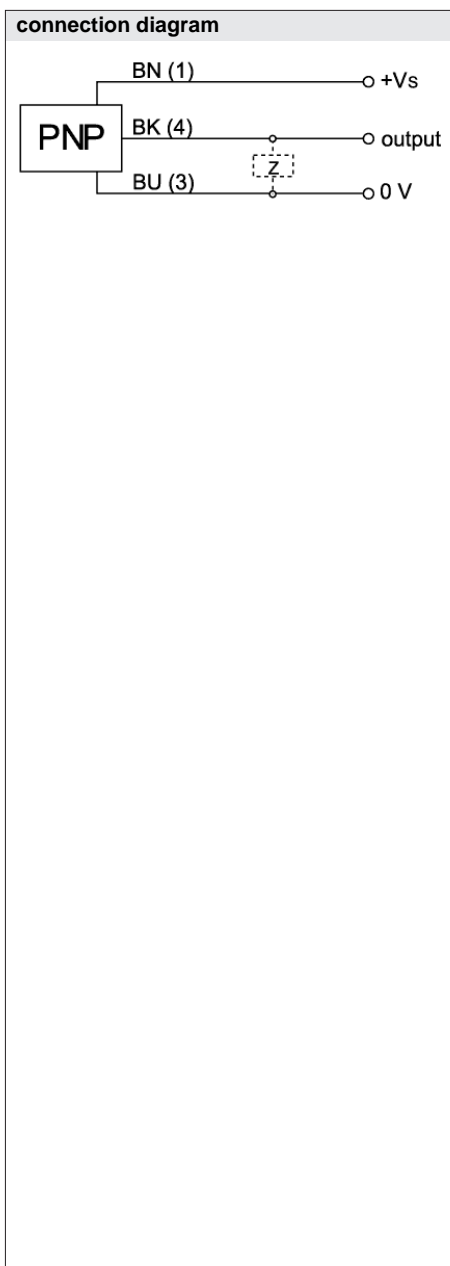
Laser fork sensor, U profile

OGUM 050P8001/S35L



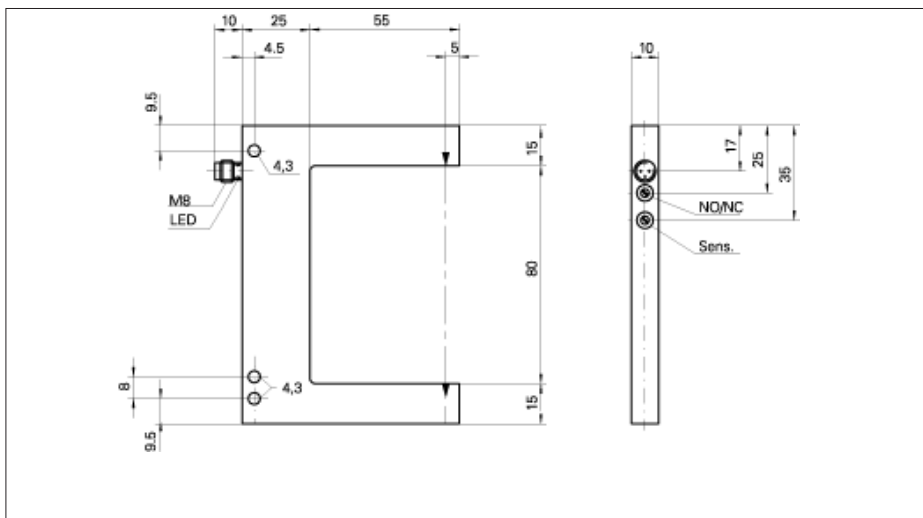
Technical Data	
function	
Fork opening	
scan depth	
repeatability	
smallest recognizable object	
switching hysteresis	
response time / release time	
output	
output state	
switching current	
short circuit protection	
voltage drop	
output indicator	
voltage supply range +Vs	
reverse polarity protection	
supply current average/peak value	
light source	
wave length	
laser class (norm)	
sensitivity adjustable	
Ambient light immunity	
housing material	
housing style	
width /diameter	
height	
depth	
temperature range	
protection class	
connection	
connectors	

	through beam sensor
	50 mm
	55 mm
	0,01 mm
	0,05 mm
	< 0,02 mm
	< 0,166 ms
	PNP
	light/dark operate switchable
	< 200 mA
	yes
	< 2,8 VDC
	LED yellow
	10 - 30 VDC
	yes
	30 / 30 mA
	pulsed red laser diode
	670 nm
	2
	yes
	100 kLux
	aluminum anodized
	U profile
	80 mm
	80 mm
	10 mm
	+5 ... +45 °C
	IP 67
	connector
	ES 8.2P, ES 9.2P, ESW 31S, ESG32S



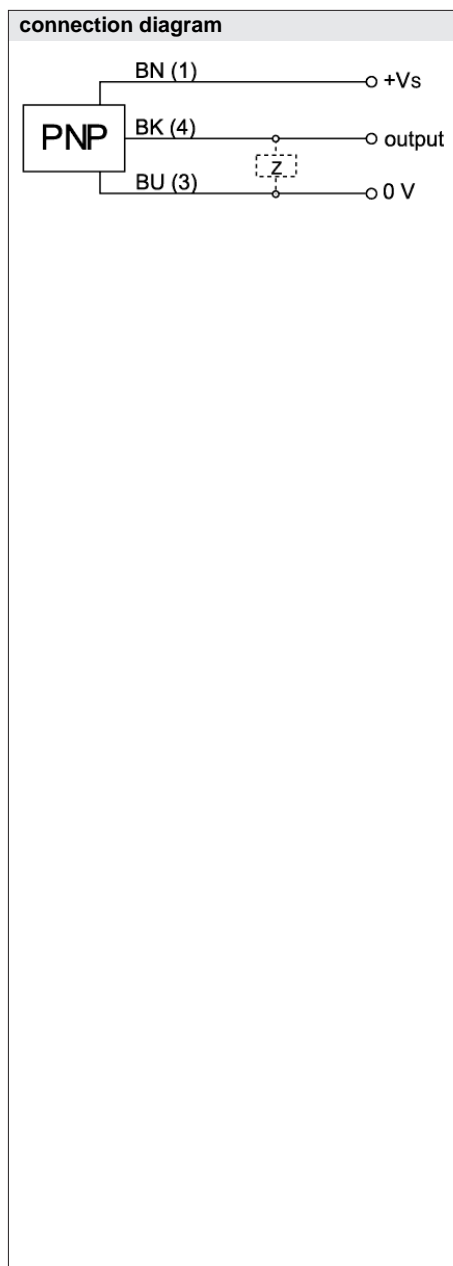
Laser fork sensor, U profile

OGUM 080P8001/S35L



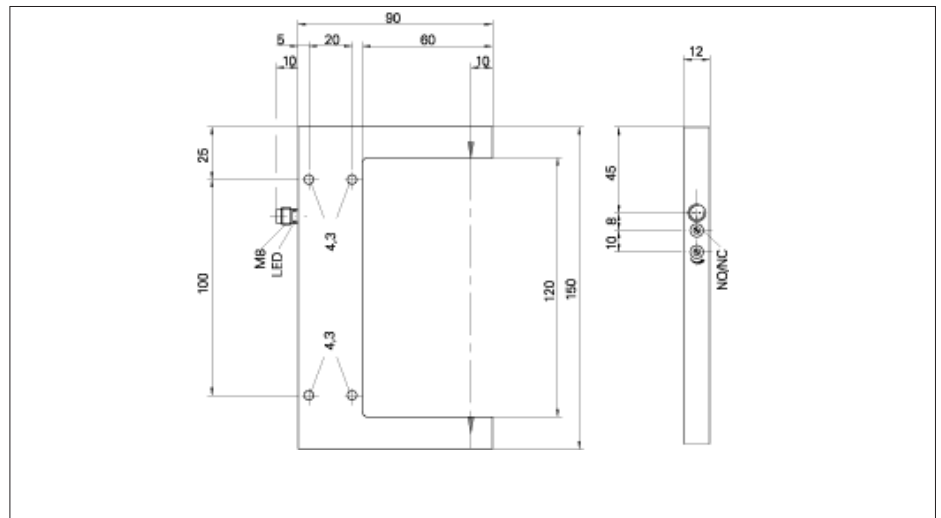
Technical Data	
function	
Fork opening	
scan depth	
repeatability	
smallest recognizable object	
switching hysteresis	
response time / release time	
output	
output state	
switching current	
short circuit protection	
voltage drop	
output indicator	
voltage supply range +Vs	
reverse polarity protection	
supply current average/peak value	
light source	
wave length	
laser class (norm)	
sensitivity adjustable	
Ambient light immunity	
housing material	
housing style	
width /diameter	
height	
depth	
temperature range	
protection class	
connection	
connectors	

through beam sensor
80 mm
55 mm
0,01 mm
0,05 mm
< 0,02 mm
< 0,166 ms
PNP
light/dark operate switchable
< 200 mA
yes
< 2,8 VDC
LED yellow
10 - 30 VDC
yes
30 / 30 mA
pulsed red laser diode
670 nm
2
yes
100 kLux
aluminum anodized
U profile
110 mm
80 mm
10 mm
+5 ... +45 °C
IP 67
connector
ES 8.2P, ES 9.2P, ESW 31S, ESG32S



Laser fork sensor, U profile

OGUM 120P8001/S35L



Technical Data	
function	through beam sensor
Fork opening	120 mm
scan depth	60 mm
repeatability	0,01 mm
smallest recognizable object	0,05 mm
switching hysteresis	< 0,02 mm
response time / release time	< 0,166 ms
output	PNP
output state	light/dark operate switchable
switching current	< 200 mA
short circuit protection	yes
voltage drop	< 2,8 VDC
output indicator	LED yellow
voltage supply range +Vs	10 - 30 VDC
reverse polarity protection	yes
supply current average/peak value	30 / 30 mA
light source	pulsed red laser diode
wave length	670 nm
laser class (norm)	2
sensitivity adjustable	yes
Ambient light immunity	100 kLux
housing material	aluminum anodized
housing style	U profile
width /diameter	150 mm
height	90 mm
depth	12 mm
temperature range	+5 ... +45 °C
protection class	IP 67
connection	connector
connectors	ES 8.2P, ES 9.2P, ESW 31S, ESG32S

connection diagram

