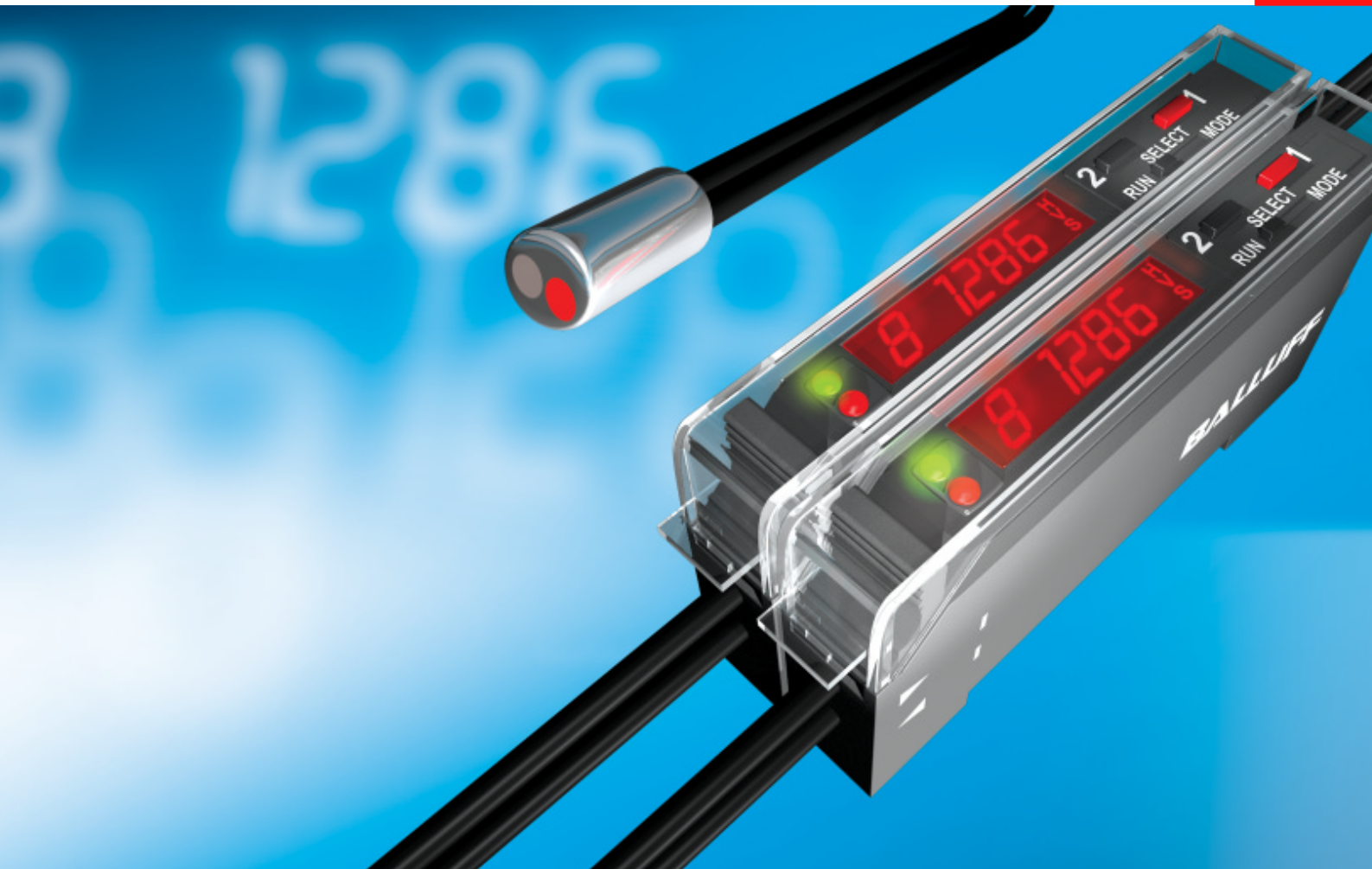


BALLUFF

Fiber Optic Base Unit **BOS 73K** ... with display



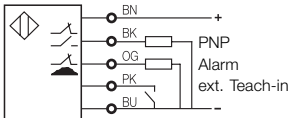
See what's being seen. The new **BOS 73K** Base Unit with display and teach-in simplifies handling of the sensor and always provides an accurate overview of its settings. The display shows sensitivity, signal strength, mode as well as sensor and auxiliary functions. Switching point and hysteresis can be automatically verified but also manually set. The powerful red light emitter allows very long sensing distances to be achieved. Switching and alarm output are available, and time functions can also be set. The BOS 73K Base Unit can be combined with all series BFO 74A/D13/D22 and N22 plastic fiber optic cables.

Features

- LCD display with backlighting
- Teach-in switchpoint setting
- Powerful red light emitter
- Contamination output
- All time functions adjustable from 10...120 ms
- Two transmission channels

Applications

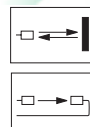
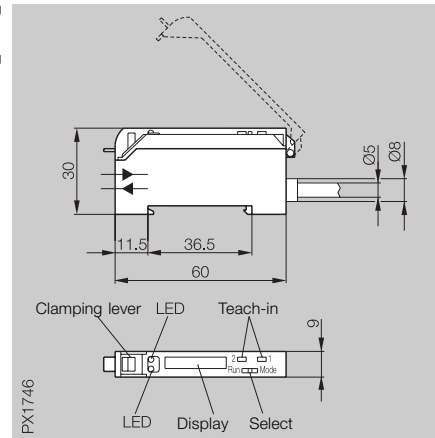
- Small parts detection
- Sensing parts in confined areas
- Packaging industry
- Specialty machinery
- Handling and assembly technology



Series
Plastic Fiber Optics Base Unit

Sensing range

BOS 73K
for plastic fiber optics
having outside diameter 2.2 mm
depends on fiber optics used



Base Unit

PNP O/●

Electrical data

Supply voltage U_B 11...26 V DC

Ripple $\leq 10\%$

No-load supply current I_0 max. ≤ 50 mA

Output PNP open collector

Output function O/● selectable

Output current switching output 100 mA

alarm output 50 mA

Voltage drop U_d at I_e ≤ 2 V

Settings Teach-in

Optical data

Emitter, light type LED red light

Wavelength 660 nm

Light spot diameter depending on fiber optics used

Times

	Channel 1	Channel 2
Response time	0.5 ms	0.6 ms
Frequency of operating cycles f (Standard)	1 kHz	833 Hz
Time function	on/off switching delay 10...120 ms selectable	

BOS 73K-PU-1FR-C-02

Displays

Output function indicator LED orange

Stability indicator LED green

Display LCD with backlighting

Mechanical data

Connection 2 m cable, PVC

No. of wires x conductor cross section 5×0.2 mm²

Housing material PC

Lens material depends on fiber optics used

Weight (incl. holder) 80 g

Ambient

Degree of protection IP 54

Protected against polarity reversal yes

Short circuit protected yes

Permissible ambient light Artificial light ≤ 10 kLux, sunlight ≤ 20 kLux

Ambient temperature range T_a -25...+55 °C

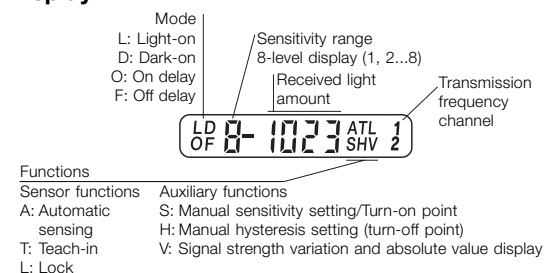
O/● = Light-on/dark-on

Artificial light ≤ 10 kLux, sunlight ≤ 20 kLux

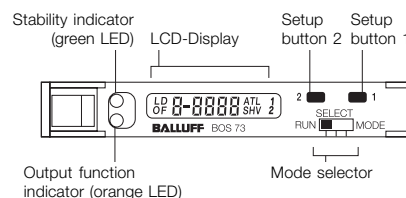
-25...+55 °C

Mounting component included!

Display



Control panel



Balluff GmbH
Schurwaldstrasse 9
73765 Neuhausen a.d.F.
Germany
Phone +49 (0) 71 58/1 73-0
Fax +49 (0) 71 58/50 10
E-Mail: balluff@balluff.de

www.balluff.de