

V720-series
 Electromagnetic Inductive RFID System
CF Card-type RFID Unit
V720S-HMF01



V720S-HMF01

■ Product Description

OMRON's V720-HMF01 CF Card-type RFID Unit connects to a variety of PDAs (Personal Digital Assistants) to form a handy RFID reader/writer system. Its compact size ensures easy portability for use virtually anywhere.

■ Features

- Applies I-Code1 chip and I-Code SLI (ISO/IEC 15693) chip technology from Philips Semiconductors.
- Readily available PDA interface: Compact Flash Type 2 (<http://www.compactflash.org/>).
- Highly versatile functions, such as Read/Write modes, in a compact size.

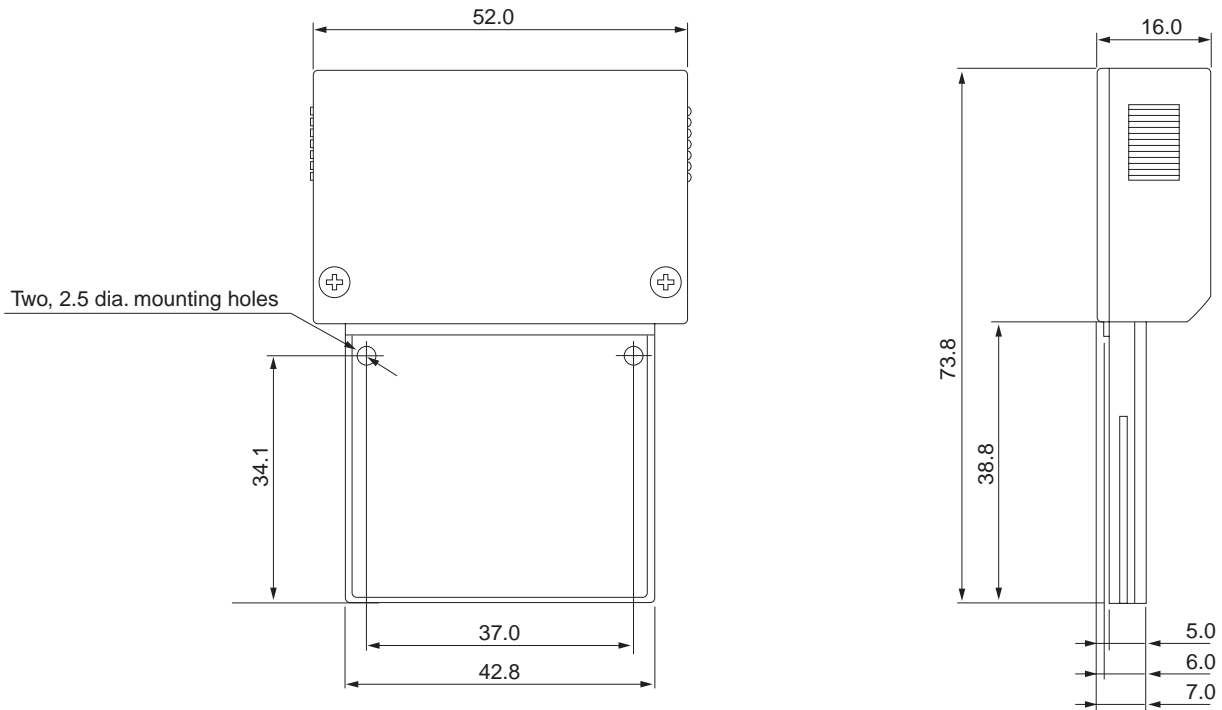
■ Benefits

- Combining the V720-HMF01 with a PDA costs much less than most handy RFID readers.

■ General Specifications

Item	Specifications
Communications frequency	13.56 MHz
Ambient temperature in operation	0 to 50°C (with no icing)
Weight	Approx. 30 g
Supply voltage	3.3 VDC ±5%
Antenna dimensions	52 (W) × 35 (H) × 16 (D) mm (The dimensions of the portion of the antenna extending from the PDA when the Unit is mounted in the PDA)
Current consumption	Approx. 175 mA (oscillating), Approx. 100 mA (not oscillating)
Communications range	30 mm with V720-D52P40
Interface	Compact Flash Type 2 (9,600 bps)

■ Dimensions



■ Communications Time (Reference Value)

Command	I-Code1	I-Code SLI
Read	$T = 1.3 N + 6.2$	$T = 1.3 N + 6$
Write	$T = 13 N + 13.5$	$T = 13.6 N + 15.5$

* T = Communications time (msec)

* N = Number of pages (1 page is 4 byte.)

■ Communications Range

Communications Range between V720S-HMF01 and I-Code1 Tag Inlet

Tag Inlet	V720-D52P01	V720-D52P02	V720-D52P03	V720-D52P04
Communications range*1	45	45	3 to 14	3 to 15

Communications Range between V720S-HMF01 and I-Code SLI Tag Inlet

Tag Inlet	V720S-D13P01	V720S-D13P02
Communications range*1	45	45

*1 The communications range depends on the environmental conditions, such as temperature, humidity, electronic noise, etc.

ALL DIMENSIONS SHOWN ARE IN MILLIMETERS.
 To convert millimeters into inches, multiply by 0.03937. To convert grams into ounces, multiply by 0.03527.

Cat. No. S927-E1-01 In the interest of product improvement, specifications are subject to change without notice.

OMRON Corporation
 RFID Project Group

14th Fl, Gate City Osaki West Tower
 1-11 Osaki, Shinagawa-ku
 Tokyo, 141-0032 Japan
 Tel: (81)3-5435-2016/Fax: (81)3-5435-2017
 E-mail: card@dev.keijo.omron.co.jp
 URL: <http://www.omron.com/card/rfid/>

Printed in Japan
 0802 (0802)