

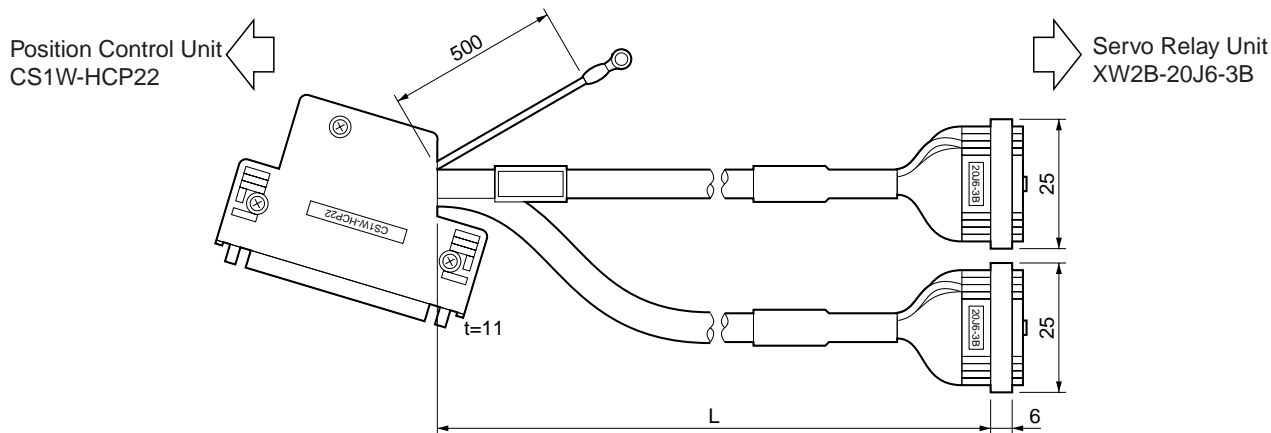
■ Position Control Unit Cables (XW2Z-□J-A23)

These Position Control Unit Cables connect a CS1W-HCP22 Position Control Unit and an XW2B-20J6-3B Servo Relay Unit.

● Cable Models

Model	Length (L)	Outer diameter of sheath	Weight
XW2Z-050J-A23	50 cm	10.0 dia.	Approx. 0.1 kg
XW2Z-100J-A23	1 m		Approx. 0.2 kg

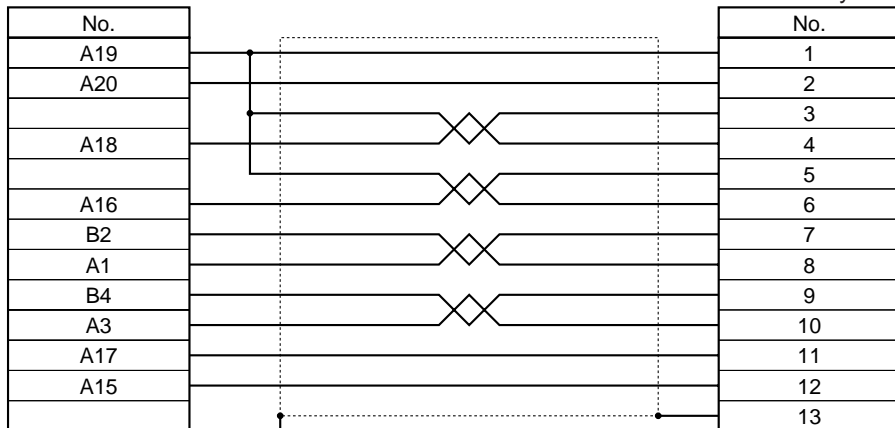
● Connection Configuration and External Dimensions



● Wiring

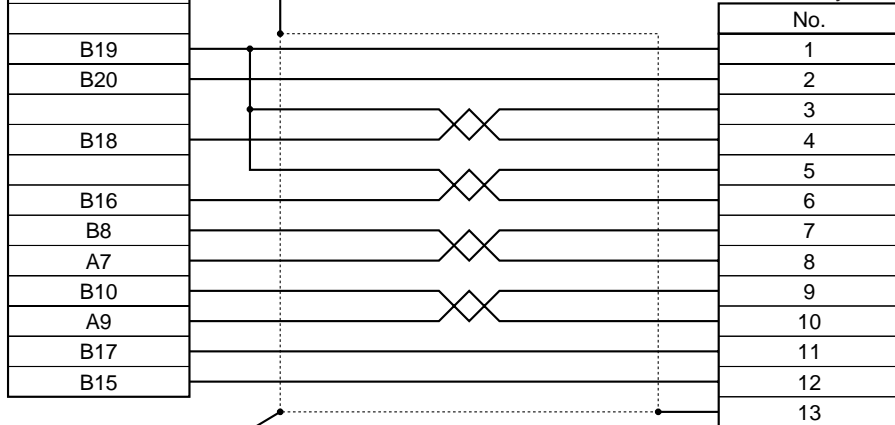
Position Control Unit

Servo Relay Unit



Cable: AWG28 × 4P + AWG28 × 4C

Servo Relay Unit



Cable: AWG28 × 4P + AWG28 × 4C

Crimp terminal