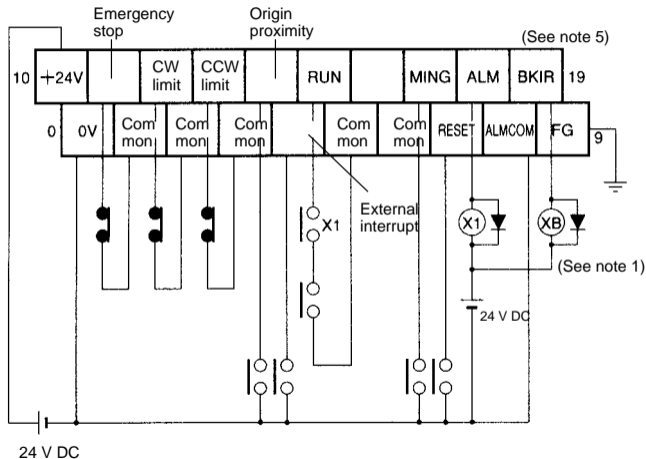


● Wiring



- Note 1.** The XB contact is used to turn ON/OFF the electromagnetic brake.
- 2.** Do not connect unused terminals.
- 3.** The 0 V terminal is internally connected to the common terminals.
- 4.** The following crimp terminal is applicable: R1.25-3 (round with open end).
- 5.** Allocate BKIR (Braking Lock) to CN1 pin 27.