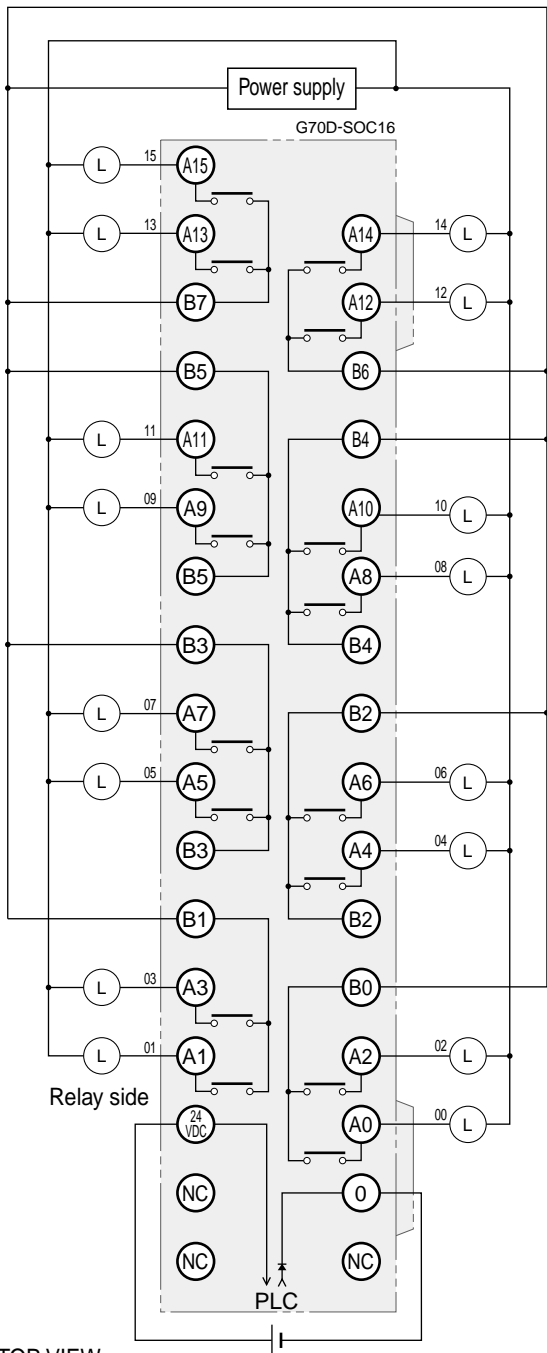


G70D Relay Terminal

G70D-SOC16



Note: The contacts are grouped 2 to a common. The carry current is 3 A per common. The contacts are isolated from the PLC Output Unit or Remote Terminal. Numbers 00 to 15 are the output numbers for the corresponding PLC Output Unit or Remote Terminal.