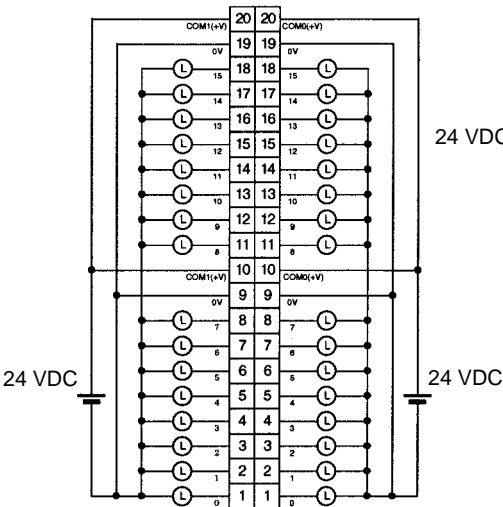


I/O word "m+1" **CN1** I/O word "m"



I/O word "m+2" **CN2** I/O word "m+3"

