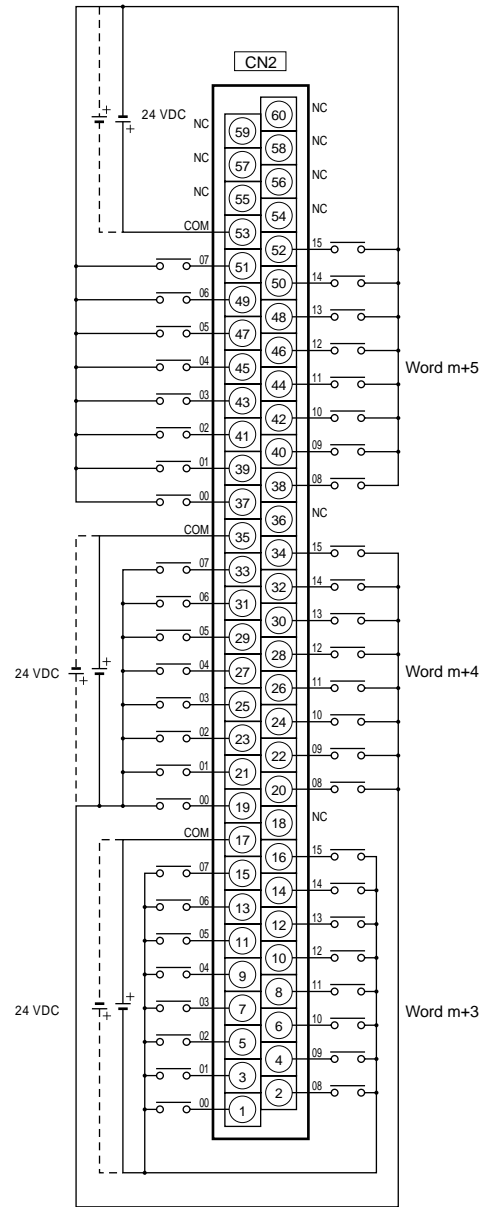
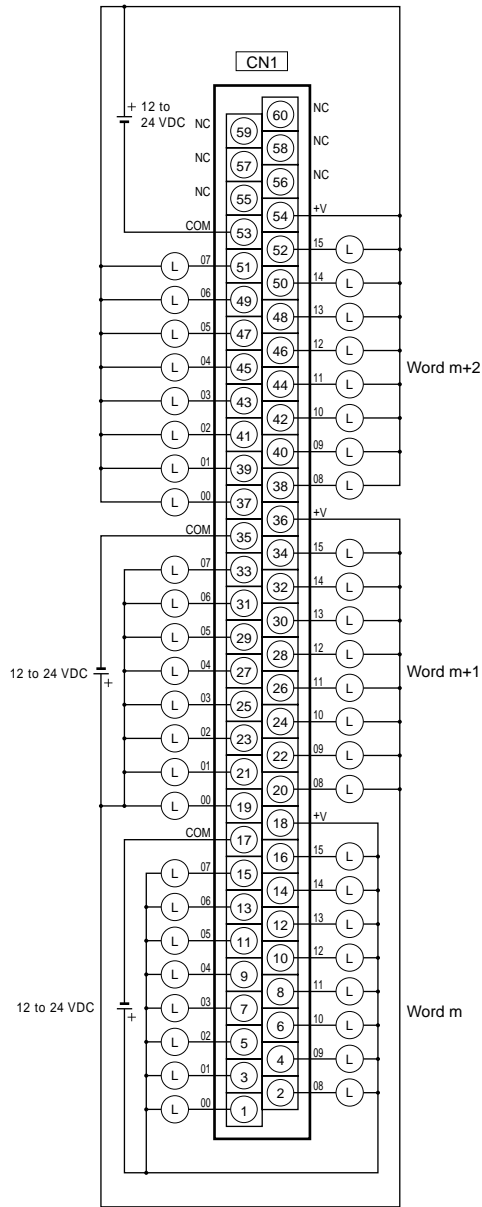


Connections for SYSMAC CS1-series I/O Units

PLC I/O Unit	CS1W-MD291
Connector Terminal Conversion Unit	XW2B-60G5
Connecting Cable	XW2Z-□□□H-1

Connections Diagrams



Dotted lines are used in the above diagram to indicate input power supplies that can be connected with either polarity.