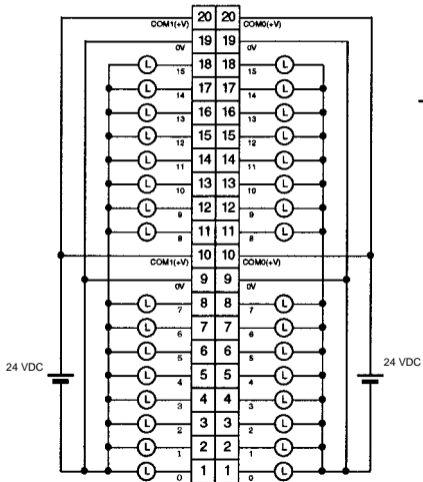


I/O word "m+1"

CN1

B A

I/O word "m"



I/O word "m+2"

CN2

A B

I/O word "m+3"

