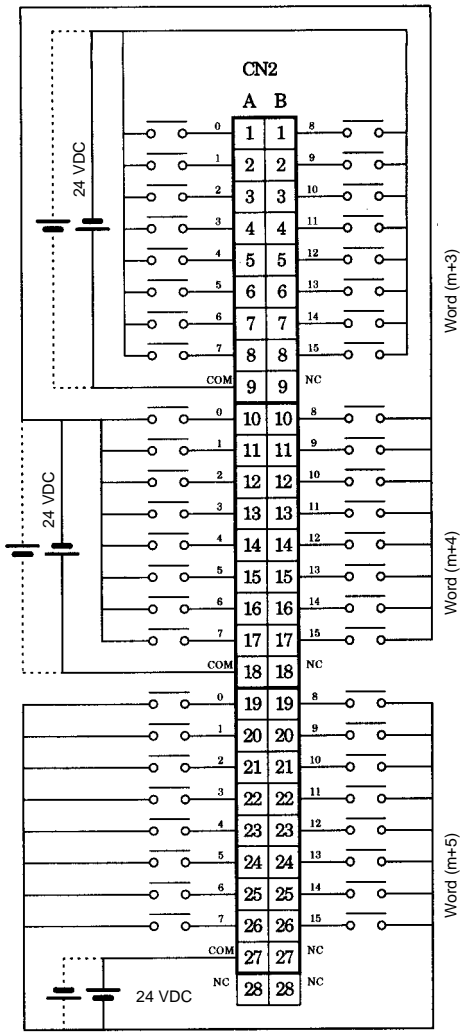
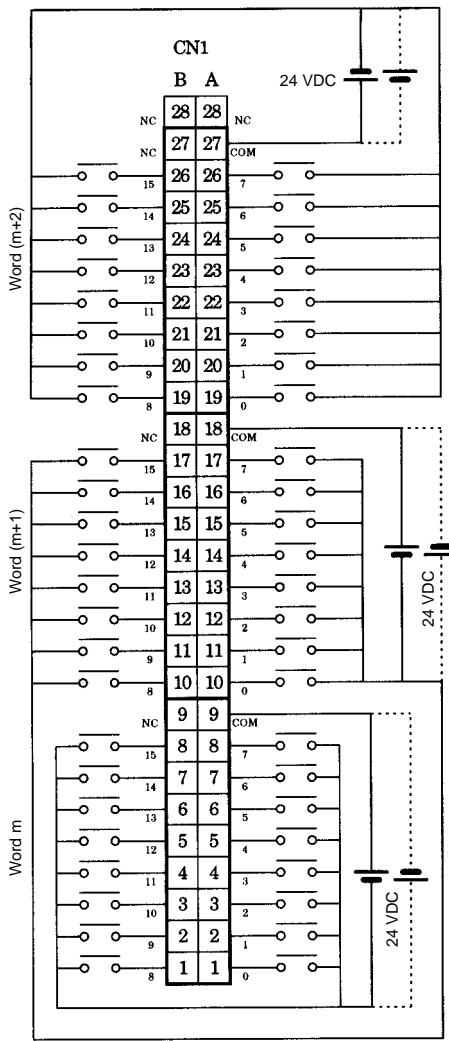


Terminal Connections: CS1W-ID291 24-VDC 96-point Input Unit



• The polarity of the input power supply can be in either direction, as indicated by the dotted lines.