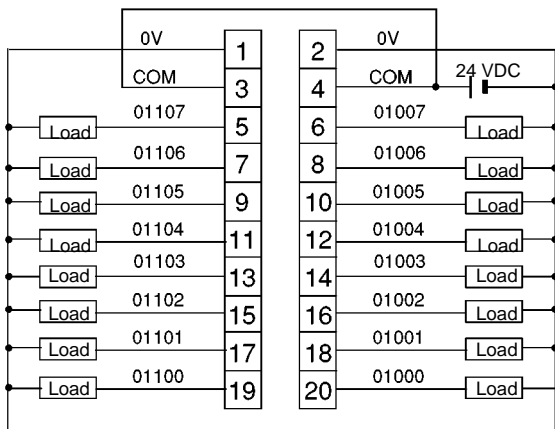


CPU Units with 32 I/O Points, Sourcing Outputs: CPM2C-32CDT1M-D

Output capacity	Max. common capacity
OUT01000 to OUT01007: 300 mA (24 VDC)	3.2 A/common
OUT01100 to OUT01107: 300 mA (24 VDC)	

Outputs: IR 010/IR 011



Note Wire COM terminals (3 and 4) and 0-V terminals (1 and 2) even though they are connected internally.