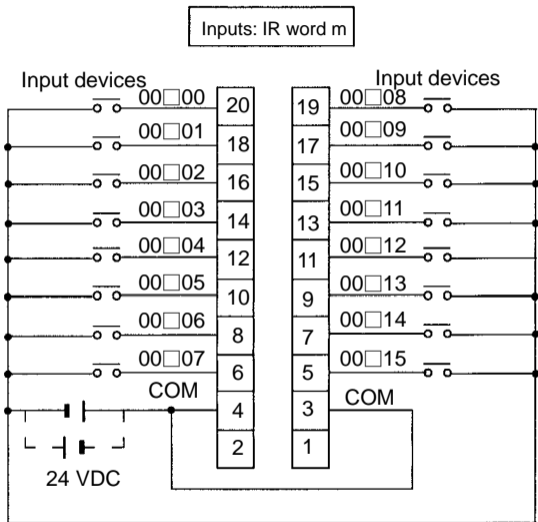


Expansion I/O Units with 24 I/O Points: CPM2C-24EDT□M



Note COM terminals (3 and 4) are connected internally.