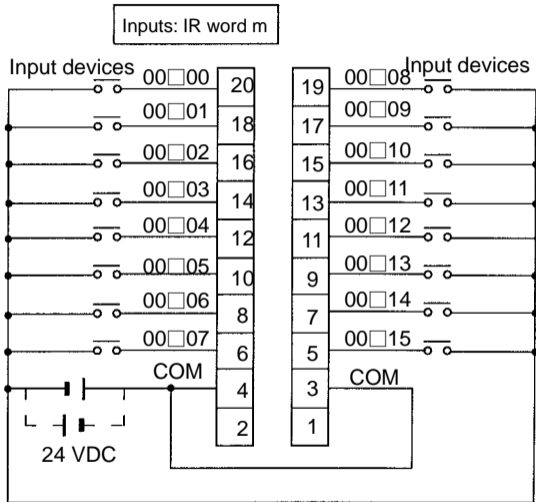


Expansion I/O Units with 16 Input Points: CPM2C-16EDM



Note COM terminals (3 and 4) are connected internally.