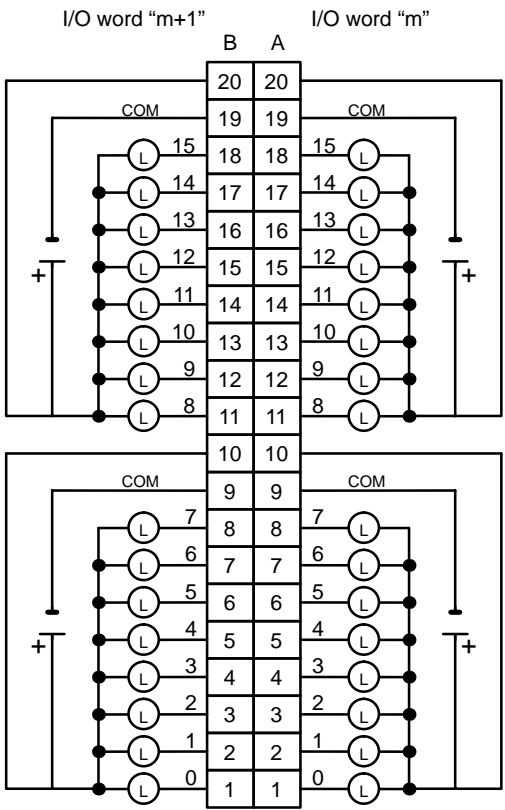
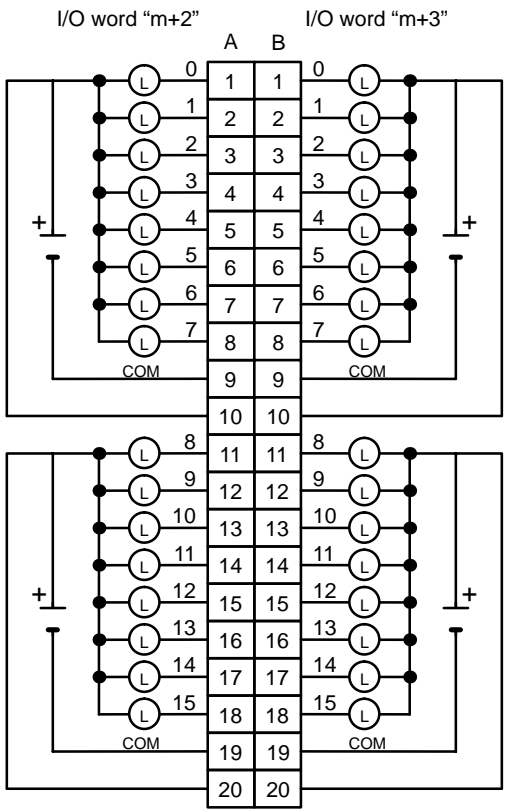


# Terminal Connections

## CN1



## CN2



4.5 to 26.4 VDC

- Note**
1. When either fuse blows, the F indicator will light and the corresponding Flag in the Basic I/O Unit Information Area (A050 to A089) will turn ON.
  2. The interruption of power from the external power supply is treated the same as a fuse blowout.
  3. Connect power supply wiring to every COM terminal, even though the COM terminals in each connector are connected internally.